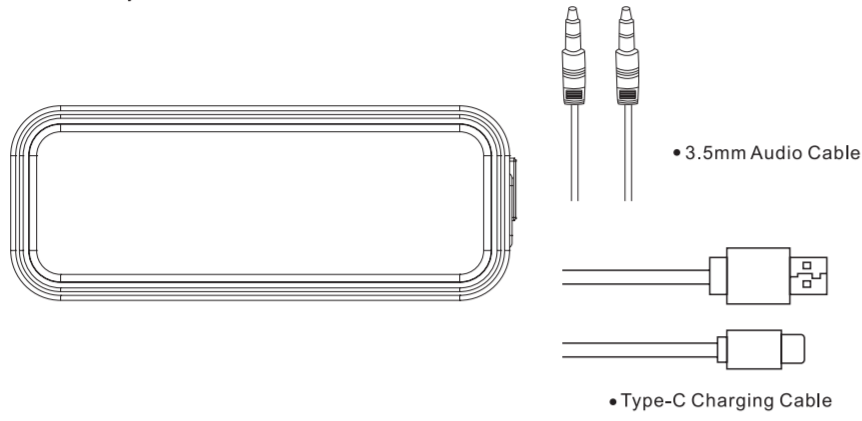


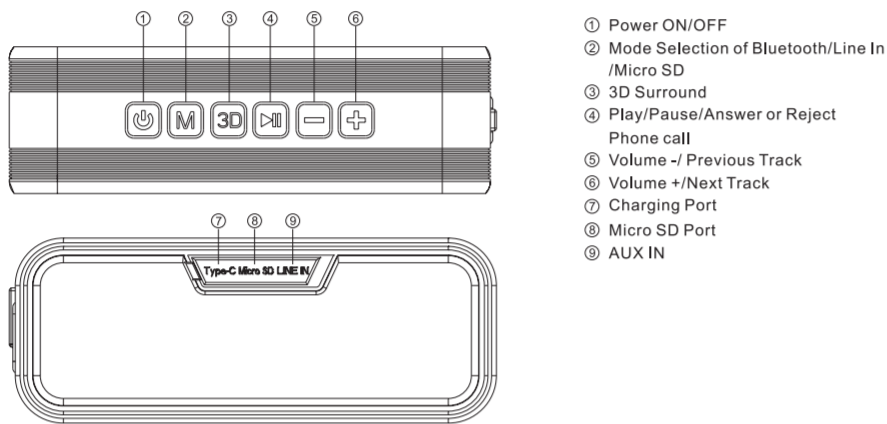
# T8PRO

## Bluetooth Speaker

### 1. Accessory



### 2. Illustration



### 3. Parameter

Bluetooth Version	4.2
Transmission Range	≥18m (Open field)
Output Power	20W X 2
Battery	7.4V/2500mAh
Power Supply	Type-C 5V/3A
Frequency Response	80Hz-18KHz
Distortion	≤1.0%
Driver Unit	4Ω5W/53mm
Playing Time	≥8hours (@65dB SPL)
Charging Time	3 hours

### 4. Function Key

Key	Operation	Function
	ON/OFF/TWS	1. Press and hold for 2 seconds to power ON/OFF 2. After power ON the speaker, quick press 2 times will shift to TWS mode
	MODE	1. Press to selection Bluetooth/Micro SD/AUX modes. 2. Press and hold for 2 seconds to disconnect the Bluetooth
	3D Effect	Press it to turn ON/OFF 3D surround effect
	Play/Pause	1. Press once when music is playing/pause, answer incoming call or hand up a phone call. 2. Press and hold for 2 seconds to reject the incoming call.
	Volume -/Previous Track	1. Press once to decrease to volume 2. Hold for 2 seconds to previous track
	Volume +/Next Track	1. Press once to increase to volume 2. Hold for 2 seconds to next track

### 5. LED Indicator:

- Blue LED blinks when the speaker waiting for connection, and turns solid blue after Bluetooth connected successfully.
- Red LED turns solid red when the speaker is recharging, and turns off after the battery fully recharged.
- White LED turns ON when the 3D surround mode ON

### 6. Bluetooth Pairing:

- Power on speaker the blue LED will blink, go to Bluetooth setting on your device, find T8 pro and select to pair.

### 7. Micro SD/AUX Mode:

- Max support reading 64GB Micro SD card
- Insert any Micro SD card, the speaker will playing the audio files in the Micro SD card automatically.
- Insert the 3.5mm audio cable, the speaker will shift to AUX mode.

### What is TWS ?

TWS means true wireless stereo. Let's say two Bluetooth speakers are able to be paired and playing music synchronously.

#### How to pair your device?

- Please make sure these two speakers to be paired disconnect from your bluetooth device before you turn them on. Then please turn on two speakers.
- Select either of the speakers. Press "Power" button for 2 seconds, until you hear indicator tone
- When successfully paired, the LED indication light on one speaker will stay blue, and the other speaker will flash blue.
- Select the searching mode on your device. When your device finds "T8 pro", select it and connect.
- The LED indication light on both the speakers will turn blue when your device is connected. They will perform as the stereo sounding system.
- Once the speakers are well paired at the first time, they will be automatically paired next time without the above pairing operation.
- If the speaker used to be paired, it is suggested to press "MODE" button for 5 seconds to forcibly cut off the power. Then restart and have the same speaker re-paired with the required new speaker according to the above instruction item 1- item 5.
- When speakers are paired, only the "master" speaker will answer the phone.
- When speakers are paired, 3D key out of work

### FCC Warning Statement

Changes or modifications not expressly approved by the party responsible for compliance could void the user's authority to operate the equipment. This equipment has been tested and found to comply with the limits for a Class B digital device, pursuant to Part 15 of the FCC Rules. These limits are designed to provide reasonable protection against harmful interference in a residential installation. This equipment generates uses and can radiate radio frequency energy and, if not installed and used in accordance with the instructions, may cause harmful interference to radio communications. However, there is no guarantee that interference will not occur in a particular installation. If this equipment does cause harmful interference to radio or television reception, which can be determined by turning the equipment off and on, the user is encouraged to try to correct the interference by one or more of the following measures:

- - Reorient or relocate the receiving antenna.
- - Increase the separation between the equipment and receiver.
- -

Connect the equipment into an outlet on a circuit different from that to which the receiver is connected.

- - Consult the dealer or an experienced radio/TV technician for help.

This device complies with part 15 of the FCC Rules. Operation is subject to the following

- two conditions: (1) This device may not cause harmful interference, and (2) this device must accept any interference received, including interference that may cause undesired operation.