

ideapad 530S-14IKB

ideapad 530S-15IKB

Hardware

Maintenance

Manual

Lenovo[™]

Note:

- Before using this information and the product it supports, be sure to read the general information under “Notices” on page 110.

First Edition (March 2018)

© Copyright Lenovo 2018. All rights reserved.

LIMITED AND RESTRICTED RIGHTS NOTICE: If data or software is delivered pursuant a General Services Administration “GSA” contract, use, reproduction, or disclosure is subject to restrictions set forth in Contract No. GS-35F-05925.

© 2018 Lenovo

Contents

About this manual	iv	1040 Fan assembly and Heat Sink assembly	41
Safety information	1	1050 DIMM	47
General safety	2	1060 SSD card	49
Electrical safety	3	1070 Speakers	52
Safety inspection guide	5	1080 System board	53
Handling devices that are sensitive to electrostatic discharge	6	1090 Upper case	56
Grounding requirements	6	1100 LCD unit	61
Safety notices: multilingual translations	7	1110 LCD hinges, MIC board and integrated camera	67
Laser compliance statement	14	Locations	72
Important service information	16	Front view and right-side view	72
Strategy for replacing FRUs	16	Bottom and Left-side view	73
Strategy for replacing a hard disk drive	17	Parts list	74
Important notice for replacing a system board	17	Overall	75
Important information about replacing RoHS compliant FRUs	18	LCD FRUs	104
General checkout	19	Miscellaneous parts	108
What to do first	20	AC adapters	108
Power system checkout	21	Screws	109
Checking the AC adapter	21	Notices	110
Checking operational charging	21	Trademarks	111
Checking the battery pack	22		
Related service information	23		
Restoring the factory contents by using Push-button reset	23		
Restore of factory default	23		
Passwords	24		
Power-on password	24		
Hard-disk password	24		
Administrator password	24		
Power management	25		
Putting the computer to sleep or shutting it down	25		
Putting your computer to sleep	25		
Shutting down the computer	26		
Lenovo ideapad 530S-14IKB/ideapad 530S-15IKB	27		
Specifications	27		
Status indicators	29		
Hotkeys	30		
FRU replacement notices	31		
Screw notices	31		
Removing and replacing an FRU	32		
1010 Base cover	33		
1020 Battery pack	35		
1030 PCI Express Mini Card for wireless LAN	38		

About this manual

This manual contains service and reference information for the following Lenovo product:

Lenovo ideapad 530S-14IKB/ideapad 530S-15IKB

The illustrations used in this manual are for **Lenovo ideapad 530S-15IKB** unless otherwise stated.

Use this manual to troubleshoot problems.

The manual is divided into the following sections:

- The common sections provide general information, guidelines, and safety information required for servicing computers.
- The product-specific section includes service, reference, and product-specific parts information.

Important:

This manual is intended only for trained servicers who are familiar with Lenovo products. Use this manual to troubleshoot problems effectively.

Before servicing a Lenovo product, make sure to read all the information under “Safety information” on page 1 and “Important service information” on page 16.

Safety information

This chapter presents the following safety information that you need to get familiar with before you service a Lenovo ideapad 530S-14IKB/ideapad 530S-15IKB computer:

- “General safety” on page 2
- “Electrical safety” on page 3
- “Safety inspection guide” on page 5
- “Handling devices that are sensitive to electrostatic discharge” on page 6
- “Grounding requirements” on page 6
- “Safety notices: multilingual translations” on page 7
- “Laser compliance statement” on page 14

General safety

Follow these rules below to ensure general safety:

- Observe a good housekeeping in the area where the machines are put during and after the maintenance.
- When lifting any heavy object:
 1. Make sure that you can stand safely without slipping.
 2. Distribute the weight of the object equally between your feet.
 3. Use a slow lifting force. Never move suddenly or twist when you attempt to lift it.
 4. Lift it by standing or pushing up with your leg muscles; this action could avoid the strain from the muscles in your back. Do not attempt to lift any object that weighs more than 16 kg (35 lb) or that you think is too heavy for you.
- Do not perform any action that causes hazards to the customer, or that makes the machine unsafe.
- Before you start the machine, make sure that other service representatives and the customer are not in a hazardous position.
- Please remove covers and other parts in a safe place, away from all personnel, while you are servicing the machine.
- Keep your toolbox away from walk areas so that other people will not trip over it.
- Do not wear loose clothing that can be trapped in the moving parts of the machine. Make sure that your sleeves are fastened or rolled up above your elbows. If your hair is long, fasten it.
- Insert the ends of your necktie or scarf inside clothing or fasten it with the nonconductive clip, about 8 centimeters (3 inches) from the end.
- Do not wear jewelry, chains, metal-frame eyeglasses, or metal fasteners for your clothing.

Attention: Metal objects are good electrical conductors.
- Wear safety glasses when you are hammering, drilling, soldering, cutting wire, attaching springs, using solvents, or working in any other conditions that may be hazardous to your eyes.
- After service, reinstall all safety shields, guards, labels, and ground wires. Replace any safety device that is worn or defective.
- Reinstall all covers correctly before returning the machine to the customer.
- Fan louvers on the machine help to prevent the overheating of internal components. Do not obstruct fan louvers or cover them with labels or stickers.

Electrical safety

Observe the following rules when working on electrical equipments.

Important:

Use only approved tools and test equipments. Some hand tools have handles covered with a soft material that does not insulate you when working with live electrical currents.

Many customers have rubber floor mats near their machines that contain small conductive fibers to decrease electrostatic discharges. Do not use such kind of mat to protect yourself from electrical shock.

- Find the room emergency power-off (EPO) switch, disconnecting switch or electrical outlet. If an electrical accident occurs, you can then operate the switch or unplug the power cord quickly.
- Do not work alone under hazardous conditions or near the equipment that has hazardous voltages.
- Disconnect all power before:
 - Performing a mechanical inspection
 - Working near power supplies
 - Removing or installing main units
- Before you start to work on the machine, unplug the power cord. If you cannot unplug it, ask the customer to power-off the wall box that supplies power to the machine, and to lock the wall box in the off position.
- If you need to work on a machine that has exposed electrical circuits, observe the following precautions:
 - Ensure that another person, familiar with the power-off controls, is near you.

Attention: Another person must be there to switch off the power, if necessary.
 - Use only one hand when working with powered-on electrical equipment; keep the other hand in your pocket or behind your back.

Attention: An electrical shock can occur only when there is a complete circuit. By observing the above rule, you may prevent a current from passing through your body.
 - When using testers, set the controls correctly and use the approved probe leads and accessories for that tester.
 - Stand on suitable rubber mats (obtained locally, if necessary) to insulate you from grounds such as metal floor strips and machine frames.

Observe the special safety precautions when you work with very high voltages; instructions for these precautions are in the safety sections of maintenance information. Be extremely careful when you measure the high voltages.

- Regularly inspect and maintain your electrical hand tools for safe operational condition.
- Do not use worn or broken tools and testers.
- Never assume that power has been disconnected from a circuit. First, check it to make sure that it has been powered off.

- Always look carefully for possible hazards in your work area. Examples of these hazards are moist floors, nongrounded power extension cables, power surges, and missing safety grounds.
- Do not touch live electrical circuits with the reflective surface of a plastic dental mirror. The surface is conductive; such touching can cause personal injury and machine damage.
- Do not service the following parts with the power on when they are removed from their normal operating places in a machine:
 - Power supply units
 - Pumps
 - Blowers and fans
 - Motor generatorsand similar units. (This practice ensures correct grounding of the units.)
- If an electrical accident occurs:
 - Caution: do not become a victim yourself.
 - Switch off the power.
 - Send the victim to get medical aid.

Safety inspection guide

The purpose of this inspection guide is to assist you in identifying potential unsafe conditions. As each machine was designed and built, required safety items were installed to protect users and service personnel from injury. This guide addresses only those items. You should use good judgment to identify potential safety hazards according to the attachment of non-Lenovo features or options not covered by this inspection guide.

If any unsafe conditions are present, you must determine how serious the apparent hazard could be and whether you can continue without first correcting the problem.

Consider these conditions and the safety hazards they present:

- Electrical hazards, especially primary power (primary voltage on the frame can cause serious or fatal electrical shock)
- Explosive hazards, such as a damaged CRT face or a bulging capacitor
- Mechanical hazards, such as loose or missing hardware

To determine whether there are any potential unsafe conditions, use the following checklist at the beginning of every service task. Begin the checks with the power off, and the power cord disconnected.

Checklist:

1. Check exterior covers for damage (loose, broken, or sharp edges).
2. Turn off the computer. Disconnect the power cord.
3. Check the power cord for:
 - a. A third-wire ground connector in good condition. Use a meter to measure third-wire ground continuity for 0.1 ohm or less between the external ground pin and the frame ground.
 - b. The power cord should be the type specified in the parts list.
 - c. Insulation must not be frayed or worn.
4. Check for cracked or bulging batteries.
5. Remove the cover.
6. Check for any obvious non-Lenovo alterations. Use good judgment as to the safety of any non-Lenovo alterations.
7. Check inside the unit for any obvious unsafe conditions, such as metal filings, contamination, water or other liquids, or signs of fire or smoke damage.
8. Check for worn, frayed, or pinched cables.
9. Check that the power-supply cover fasteners (screws or rivets) have not been removed or tampered with.

Handling devices that are sensitive to electrostatic discharge

Any computer part containing transistors or integrated circuits (ICs) should be considered sensitive to electrostatic discharge (ESD). ESD damage can occur when there is a difference in charge between objects. Protect against ESD damage by equalizing the charge so that the machine, the part, the work mat, and the person handling the part are all at the same charge.

Notes:

1. Use product-specific ESD procedures when they exceed the requirements noted here.
2. Make sure that the ESD protective devices you use have been certified (ISO 9000) as fully effective.

When handling ESD-sensitive parts:

- Keep the parts in protective packages until they are inserted into the product.
- Avoid contact with other people.
- Wear a grounded wrist strap against your skin to eliminate static on your body.
- Prevent the part from touching your clothing. Most clothing is insulative and retains a charge even when you are wearing a wrist strap.
- Use the black side of a grounded work mat to provide a static-free work surface. The mat is especially useful when handling ESD-sensitive devices.
- Select a grounding system, such as those listed below, to provide protection that meets the specific service requirement.

Note:

The use of a grounding system to guard against ESD damage is desirable but not necessary.

- Attach the ESD ground clip to any frame ground, ground braid, or green-wire ground.
- When working on a double-insulated or battery-operated system, use an ESD common ground or reference point. You can use coax or connector-outside shells on these systems.
- Use the round ground prong of the ac plug on ac-operated computers.

Grounding requirements

Electrical grounding of the computer is required for operator safety and correct system function. Proper grounding of the electrical outlet can be verified by a certified electrician.

Safety notices: multilingual translations

The safety notices in this section are provided in English, French, German, Hebrew, Italian, Japanese, and Spanish.

Safety notice 1

Before the computer is powered on after FRU replacement, make sure all screws, springs, and other small parts are in place and are not left loose inside the computer. Verify this by shaking the computer and listening for rattling sounds. Metallic parts or metal flakes can cause electrical shorts.

Avant de remettre l'ordinateur sous tension après remplacement d'une unité en clientèle, vérifiez que tous les ressorts, vis et autres pièces sont bien en place et bien fixées. Pour ce faire, secouez l'unité et assurez-vous qu'aucun bruit suspect ne se produit. Des pièces métalliques ou des copeaux de métal pourraient causer un court-circuit.

Bevor nach einem FRU-Austausch der Computer wieder angeschlossen wird, muß sichergestellt werden, daß keine Schrauben, Federn oder andere Kleinteile fehlen oder im Gehäuse vergessen wurden. Der Computer muß geschüttelt und auf Klappergeräusche geprüft werden. Metallteile oder-splitter können Kurzschlüsse erzeugen.

לפני הפעלת המחשב לאחר החלפת FRU יש לוודא שכל הברגים, הקפיצים, וחלקים קטנים אחרים נמצאים במקומם ואינם חופשיים לזוז בתוך המחשב. כדי לוודא זאת, יש לטלטל את המחשב ולהקשיב לגילוי קולות שקשוק. חלקי או שבבי מתכת עלולים לגרום לקצרים חשמליים.

Prima di accendere l'elaboratore dopo che é stata effettuata la sostituzione di una FRU, accertarsi che tutte le viti, le molle e tutte le altri parti di piccole dimensioni siano nella corretta posizione e non siano sparse all'interno dell'elaboratore. Verificare ciò scuotendo l'elaboratore e prestando attenzione ad eventuali rumori; eventuali parti o pezzetti metallici possono provocare cortocircuiti pericolosi.

FRUの交換後、コンピュータの電源を入れる前に、ねじ、バネ、その他の小さな部品がすべて正しい位置にあり、またコンピュータの内部で緩んでいないことを確認してください。これを確認するには、コンピュータを振って、カチャカチャと音がしないか確かめます。金属部品や金属破片はショートの原因になることがあります。

Antes de encender el sistema despues de sustituir una FRU, compruebe que todos los tornillos, muelles y demás piezas pequeñas se encuentran en su sitio y no se encuentran sueltas dentro del sistema. Compruébelo agitando el sistema y escuchando los posibles ruidos que provocarían. Las piezas metálicas pueden causar cortocircuitos eléctricos.

Safety notice 2

DANGER

Some standby batteries contain a small amount of nickel and cadmium. Do not disassemble a standby battery, recharge it, throw it into fire or water, or short-circuit it. Dispose of the battery as required by local ordinances or regulations. Use only the battery in the appropriate parts listing. Use of an incorrect battery can result in ignition or explosion of the battery.

Certaines batteries de secours contiennent du nickel et du cadmium. Ne les démontez pas, ne les rechargez pas, ne les exposez ni au feu ni à l'eau. Ne les mettez pas en court-circuit. Pour les mettre au rebut, conformez-vous à la réglementation en vigueur. Lorsque vous remplacez la pile de sauvegarde ou celle de l'horloge temps réel, veillez à n'utiliser que les modèles cités dans la liste de pièces détachées adéquate. Une batterie ou une pile inappropriée risque de prendre feu ou d'exploser.

Die Bereitschaftsbatterie, die sich unter dem Diskettenlaufwerk befindet, kann geringe Mengen Nickel und Cadmium enthalten. Sie darf nicht zerlegt, wiederaufgeladen, kurzgeschlossen, oder Feuer oder Wasser ausgesetzt werden. Bei der Entsorgung die örtlichen Bestimmungen für Sondermüll beachten. Beim Ersetzen der Bereitschafts- oder Systembatterie nur Batterien des Typs verwenden, der in der Ersatzteilliste aufgeführt ist. Der Einsatz falscher Batterien kann zu Entzündung oder Explosion führen.

סוללות המתנה מסוימות מכילות כמויות קטנות של ניקל וקדמיום. אין לפרק סוללות המתנה, לטעון אותה מחדש, להשליך אותה לאש או למים או לקצר אותה. יש לשלוק את הסוללה בנדרש על ידי התקנות והחוקים המקומיים. יש להשתמש רק בסוללה המומיפה ברשימת החלקים המתאימה. שימוש בסוללה לא מתאימה עלול לגרום להצתה או התפוצצות של הסוללה.

Alcune batterie di riserva contengono una piccola quantità di nichel e cadmio. Non smontarle, ricaricarle, gettarle nel fuoco o nell'acqua né cortocircuitarle. Smaltirle secondo la normativa in vigore (DPR 915/82, successive disposizioni e disposizioni locali). Quando si sostituisce la batteria dell'RTC (real time clock) o la batteria di supporto, utilizzare soltanto i tipi inseriti nell'appropriato Catalogo parti. L'impiego di una batteria non adatta potrebbe determinare l'incendio o l'esplosione della batteria stessa.

予備バッテリーの中には少量のニッケルとカドミウムが含まれているものがあります。したがって、予備バッテリーの分解、再充電、火または水の中への投棄、またはショートさせることは決して行わないでください。バッテリーを廃棄する場合は地方自治体の条例に従ってください。適切なパーツ・リストにあるバッテリーだけを请使用してください。誤ったバッテリーを使用すると、バッテリーが発火したり、爆発したりすることがあります。

Algunas baterías de reserva contienen una pequeña cantidad de níquel y cadmio. No las desmonte, ni recargue, ni las eche al fuego o al agua ni las cortocircuite. Deséchelas tal como dispone la normativa local. Utilice sólo baterías que se encuentren en la lista de piezas. La utilización de una batería no apropiada puede provocar la ignición o explosión de la misma.

Safety notice 3**⚠ DANGER**

The battery pack contains small amounts of nickel. Do not disassemble it, throw it into fire or water, or short-circuit it. Dispose of the battery pack as required by local ordinances or regulations. Use only the battery in the appropriate parts listing when replacing the battery pack. Use of an incorrect battery can result in ignition or explosion of the battery.

La batterie contient du nickel. Ne la démontez pas, ne l'exposez ni au feu ni à l'eau. Ne la mettez pas en court-circuit. Pour la mettre au rebut, conformez-vous à la réglementation en vigueur. Lorsque vous remplacez la batterie, veuillez à n'utiliser que les modèles cités dans la liste de pièces détachées adéquate. En effet, une batterie inappropriée risque de prendre feu ou d'exploser.

Akkus enthalten geringe Mengen von Nickel. Sie dürfen nicht zerlegt, wiederaufgeladen, kurzgeschlossen, oder Feuer oder Wasser ausgesetzt werden. Bei der Entsorgung die örtlichen Bestimmungen für Sondermüll beachten. Beim Ersetzen der Batterie nur Batterien des Typs verwenden, der in der Ersatzteilliste aufgeführt ist. Der Einsatz falscher Batterien kann zu Entzündung oder Explosion führen.

מארו הסוללה מכיל כמות קטנה של ניקל וקדמיום. אין לפרק את מארו הסוללה, להשליך אותו לאש או למים או לקצר אותו. יש לסלק את מארו הסוללה הסוללה כנדרש על ידי התקנות החוקיים המקומיים. יש להשתמש רק בסוללה המובנית ברשימת החלקים המתאימה בזמן החלפת מארו הסוללה. שימוש בסוללה לא מתאימה עלול לגרום להצתה או התפוצצות של הסוללה.

La batteria contiene piccole quantità di nichel. Non smontarla, gettarla nel fuoco o nell'acqua né cortocircuitarla. Smaltirla secondo la normativa in vigore (DPR 915/82, successive disposizioni e disposizioni locali). Quando si sostituisce la batteria, utilizzare soltanto i tipi inseriti nell'appropriato Catalogo parti. L'impiego di una batteria non adatta potrebbe determinare l'incendio o l'esplosione della batteria stessa.

バッテリー・パックには少量のニッケルが含まれています。バッテリー・パックを分解したり、火または水の中に投げ込んだり、ショートさせないでください。バッテリー・パックの廃棄にあたっては、地方自治体の条例または規則に従ってください。バッテリー・パックを交換するときは、適切なパーツ・リストにあるバッテリーだけを使用してください。誤ったバッテリーを使用すると、バッテリーが発火したり、爆発したりすることがあります。

Las baterías contienen pequeñas cantidades de níquel. No las desmonte, ni recargue, ni las eche al fuego o al agua ni las cortocircuite. Deséchelas tal como dispone la normativa local. Utilice sólo baterías que se encuentren en la lista de piezas al sustituir la batería. La utilización de una batería no apropiada puede provocar la ignición o explosión de la misma.

Safety notice 4

⚠ DANGER

The lithium battery can cause a fire, an explosion, or a severe burn. Do not recharge it, remove its polarized connector, disassemble it, heat it above 100°C (212°F), incinerate it, or expose its cell contents to water. Dispose of the battery as required by local ordinances or regulations. Use only the battery in the appropriate parts listing. Use of an incorrect battery can result in ignition or explosion of the battery.

La pile de sauvegarde contient du lithium. Elle présente des risques d'incendie, d'explosion ou de brûlures graves. Ne la rechargez pas, ne retirez pas son connecteur polarisé et ne la démontez pas. Ne l'exposez pas à une température supérieure à 100°C, ne la faites pas brûler et n'en exposez pas le contenu à l'eau. Mettez la pile au rebut conformément à la réglementation en vigueur. Une pile inappropriée risque de prendre feu ou d'exploser.

Die Systematterie ist eine Lithiumatterie. Sie kann sich entzünden, explodieren oder schwere Verbrennungen hervorrufen. Batterien dieses Typs dürfen nicht aufgeladen, zerlegt, über 100 C erhitzt oder verbrannt werden. Auch darf ihr Inhalt nicht mit Wasser in Verbindung gebracht oder der zur richtigen Polung angebrachte Verbindungsstecker entfernt werden. Bei der Entsorgung die örtlichen Bestimmungen für Sondermüll beachten. Beim Ersetzen der Batterie nur Batterien des Typs verwenden, der in der Ersatzteilliste aufgeführt ist. Der Einsatz falscher Batterien kann zu Entzündung oder Explosion führen.

סוללת הליתיום עלולה לגרום לשריפה, להתפוצצות או לפגיעת עקשות. אין לטעון אותה מחדש, לשלוק את המחבר המקוטב שלה, למרק אותה או לחמם אותה לטמפרטורה העולה על 100 מעלות צלזיוס. אין לשרוף את הסוללה ואין לחשוף את תוכן התא למים. יש לשלוק את הסוללה כנדרש במקנות ובחוקים המקומיים. יש להשתמש רק בסוללה המומייעה ברשימת החלקים המתאימים. שימוש בסוללה אחרת עלול לגרום לסכנת שריפה או התפוצצות.

La batteria di supporto e una batteria al litio e puo incendiarsi, esplodere o procurare gravi ustioni. Evitare di ricaricarla, smontarne il connettore polarizzato, smontarla, riscaldarla ad una temperatura superiore ai 100 gradi centigradi, incendiarla o gettarla in acqua. Smaltirla secondo la normativa in vigore (DPR 915/82, successive disposizioni e disposizioni locali). L'impiego di una batteria non adatta potrebbe determinare l'incendio o l'esplosione della batteria stessa.

リチウム・バッテリーは、火災、爆発、または重症のやけどを引き起こすことがあります。バックアップ・バッテリーの充電、その極性コネクターの取り外し、バッテリー本体の分解、100°C (212°F) 以上への加熱、焼却、電池の中身を水に浸すことはしないでください。バッテリーを廃棄する場合は地方自治体の条例に従ってください。適切なパーツ・リストにあるバッテリーだけを使用してください。誤ったバッテリーを使用すると、バッテリーが発火したり、爆発したりすることがあります。

La batería de repuesto es una batería de litio y puede provocar incendios, explosiones o quemaduras graves. No la recargue, ni quite el conector polarizado, ni la desmonte, ni caliente por encima de los 100°C (212°F), ni la incinerar ni exponga el contenido de sus celdas al agua. Deséchela tal como dispone la normativa local.

Safety notice 5

If the LCD breaks and the fluid from inside the LCD gets into your eyes or on your hands, immediately wash the affected areas with water for at least for 15 minutes. Seek medical care if any symptoms caused by the fluid are present after washing.

Si le panneau d'affichage à cristaux liquides se brise et que vous recevez dans les yeux ou sur les mains une partie du fluide, rincez-les abondamment pendant au moins quinze minutes. Consultez un médecin si des symptômes persistent après le lavage.

Die Leuchtstoffröhre im LCD-Bildschirm enthält Quecksilber. Bei der Entsorgung die örtlichen Bestimmungen für Sondermüll beachten. Der LCD-Bildschirm besteht aus Glas und kann zerbrechen, wenn er unsachgemäß behandelt wird oder der Computer auf den Boden fällt. Wenn der Bildschirm beschädigt ist und die darin befindliche Flüssigkeit in Kontakt mit Haut und Augen gerät, sollten die betroffenen Stellen mindestens 15 Minuten mit Wasser abgespült und bei Beschwerden anschließend ein Arzt aufgesucht werden.

אם מסך הנביש הנוזלי (LCD) נשבר והנוזל מתוך המסך בא במגע עם עיניכם או ידיכם, שטפו את האזורים הנוגעים מיד במים במשך 15 דקות לפחות. פנו לקבלת עזרה רפואית אם תסמינים הנובעים מהמגע עם הנוזל נמשכים לאחר השטיפה.

Nel caso che caso l'LCD si dovesse rompere ed il liquido in esso contenuto entrasse in contatto con gli occhi o le mani, lavare immediatamente le parti interessate con acqua corrente per almeno 15 minuti; poi consultare un medico se i sintomi dovessero permanere.

LCD が破損し、LCD 中の液体が目に入ったり、手に触れたりした場合は、液体が触れた部分を少なくとも 15 分間洗い流してください。洗い流した後に、液体によって何らかの症状が現れた場合は、医師の治療を受けてください。

Si la LCD se rompe y el fluido de su interior entra en contacto con sus ojos o sus manos, lave inmediatamente las áreas afectadas con agua durante 15 minutos como mínimo. Obtenga atención medica si se presenta algún síntoma del fluido despues de lavarse.

Safety notice 6

⚠ DANGER

To avoid shock, do not remove the plastic cover that protects the lower part of the inverter card.

Afin d'éviter tout risque de choc électrique, ne retirez pas le cache en plastique protégeant la partie inférieure de la carte d'alimentation.

Aus Sicherheitsgründen die Kunststoffabdeckung, die den unteren Teil der Spannungswandlerplatine umgibt, nicht entfernen.

כדי למנוע התחשמלות, אין להסיר את מכסה הפלסטיק המגן על חלקו התחתון של הכרטיס ההפוך.

Per evitare scosse elettriche, non rimuovere la copertura in plastica che avvolge la parte inferiore della scheda invertitore.

感電を防ぐため、インバーター・カードの下部を保護しているプラスチック・カバーを外さないでください。

Para evitar descargas, no quite la cubierta de plástico que rodea la parte baja de la tarjeta invertida.

Safety notice 7

⚠ DANGER

Though the main batteries have low voltage, a shorted or grounded battery can produce enough current to burn personnel or combustible materials.

Bien que le voltage des batteries principales soit peu élevé, le court-circuit ou la mise à la masse d'une batterie peut produire suffisamment de courant pour brûler des matériaux combustibles ou causer des brûlures corporelles graves.

Obwohl Hauptbatterien eine niedrige Spannung haben, können sie doch bei Kurzschluß oder Erdung genug Strom abgeben, um brennbare Materialien zu entzünden oder Verletzungen bei Personen hervorzurufen.

אף שהסוללות הראשיות הן בעלות מתח נמוך, סוללה מקוצרת או מוארקות עלולה להפיק זרם מספיק לגרימת כוויות או להצתת חומרים דליקים.

Sebbene le batterie di alimentazione siano a basso voltaggio, una batteria in corto circuito o a massa può fornire corrente sufficiente da bruciare materiali combustibili o provocare ustioni ai tecnici di manutenzione.

メイン・バッテリーの電圧は低くても、ショートしたり、接地したバッテリーが、作業者にやけどを負わせたり、可燃物を燃やすだけの電流を発生させる場合があります。

Aunque las baterías principales tienen un voltaje bajo, una batería cortocircuitada o con contacto a tierra puede producir la corriente suficiente como para quemar material combustible o provocar quemaduras en el personal.

Safety notice 8** DANGER**

Before removing any FRU, turn off the computer, unplug all power cords from electrical outlets, remove the battery pack, and then disconnect any interconnecting cables.

Avant de retirer une unité remplaçable en clientèle, mettez le système hors tension, débranchez tous les cordons d'alimentation des socles de prise de courant, retirez la batterie et déconnectez tous les cordons d'interface.

Die Stromzufuhr muß abgeschaltet, alle Stromkabel aus der Steckdose gezogen, der Akku entfernt und alle Verbindungskabel abgenommen sein, bevor eine FRU entfernt wird.

לפני סילוק FRU כלשהו, יש לכבות את המחשב, לנתק את כל כבלי החשמל משקעי החשמל, להוציא את מארזי הסוללה, וזו לנתק כבלי חיבור אחרים אם יש כאלה.

Prima di rimuovere qualsiasi FRU, spegnere il sistema, scollegare dalle prese elettriche tutti i cavi di alimentazione, rimuovere la batteria e poi scollegare i cavi di interconnessione.

FRU を取り外す前に、**ThinkPad** の電源を切って、すべての電源コードをコンセントから外してください。次に、バッテリー・パックを外し、相互接続ケーブルを外してください。

Antes de quitar una FRU, apague el sistema, desenchufe todos los cables de las tomas de corriente eléctrica, quite la batería y, a continuación, desconecte cualquier cable de conexión entre dispositivos.

Laser compliance statement

Some models of Lenovo computer are equipped from the factory with an optical storage device such as a CD-ROM drive or a DVD-ROM drive. Such devices are also sold separately as options. If one of these drives is installed, it is certified in the U.S. to conform to the requirements of the Department of Health and Human Services 21 Code of Federal Regulations (DHHS 21 CFR) Subchapter J for Class 1 laser products. Elsewhere, the drive is certified to conform to the requirements of the International Electrotechnical Commission (IEC) 825 and CENELEC EN 60 825 for Class 1 laser products.

If a CD-ROM drive, a DVD-ROM drive, or another laser device is installed, note the following:

CAUTION

Use of controls or adjustments or performance of procedures other than those specified herein might result in hazardous radiation exposure.

O uso de controles, ajustes ou desempenho de procedimentos diferentes daqueles aqui especificados pode resultar em perigosa exposição à radiação.

凡未在这里指明的任何控制用法、调整、行为，都会导致严重后果。

Pour éviter tout risque d'exposition au rayon laser, respectez les consignes de réglage et d'utilisation des commandes, ainsi que les procédures décrites.

Werden Steuer- und Einstellelemente anders als hier festgesetzt verwendet, kann gefährliche Laserstrahlung auftreten.

Az itt előírt eljárásoktól, beállításoktól és vezérlésektől eltérni a lézersugárzás veszélye miatt kockázatos!

L'utilizzo di controlli, regolazioni o l'esecuzione di procedure diverse da quelle specificate possono provocare l'esposizione a.

Использование элементов настройки и выполнение процедур иных, чем указано здесь, может привести к опасному радиационному облучению.

Použitie kontrol, úprav alebo iných vykonaní od iných výrobcov, ako je v tomto špecifikované, mohlo by mať za následok nebezpečenstvo vystavenia sa vyžiarovaniu.

本書で指定された内容以外の、お客様による整備、調整、または手順を行った場合、レーザー光の放射の危険があります。

El uso de controles o ajustes o la ejecución de procedimientos distintos de los aquí especificados puede provocar la exposición a radiaciones peligrosas.

Opening the CD-ROM drive, the DVD-ROM drive, or any other optical storage device could result in exposure to hazardous laser radiation. There are no serviceable parts inside those drives. **Do not open.**

A CD-ROM drive, a DVD-ROM drive, or any other storage device installed may contain an embedded Class 3A or Class 3B laser diode. Note the following:

⚠ DANGER

Emits visible and invisible laser radiation when open. Do not stare into the beam, do not view directly with optical instruments, and avoid direct exposure to the beam.

Radiação por raio laser ao abrir. Não olhe fixo no feixe de luz, não olhe diretamente por meio de instrumentos óticos e evite exposição direta com o feixe de luz.

开启时会有激光发射时，请勿直视激光束，请勿直接查看视觉仪器，并且避免直接接触在激光光束之中。

Rayonnement laser si carter ouvert. Évitez de fixer le faisceau, de le regarder directement avec des instruments optiques, ou de vous exposer au rayon.

Laserstrahlung bei geöffnetem Gerät. Nicht direkt oder über optische Instrumente in den Laserstrahl sehen und den Strahlungsbereich meiden.

Kinyitáskor lézersugár ! Ne nézzen bele se szabad szemmel, se optikai eszközökkel. Kerülje a sugárnyalábbal való érintkezést!

Aprendo l'unità vengono emesse radiazioni laser. Non fissare il fascio, non guardarlo direttamente con strumenti ottici e evitare l'esposizione diretta al fascio.

Открывая, берегитесь лазерного излучения. Не смотрите на луч, не разглядывайте его с помощью оптических инструментов, а также избегайте прямого воздействия лазерного луча.

Keď je laserová jednotka otvorená. Vyhnite sa priamemu pohľadu a nehladte priamo s optickými nástrojmi do lúča a vyhnite sa priamemu vystaveniu lúčov.

開けるとレーザー光が放射されます。光線を見つめたり、光学機械を使って直接見たりしないでください。

Radiación láser al abrir. No mire fijamente ni examine con instrumental óptico el haz de luz. Evite la exposición directa al haz.

Important service information

This chapter presents the following important service information:

- “Strategy for replacing FRUs” on page 16
 - “Strategy for replacing a hard disk drive” on page 17
 - “Important notice for replacing a system board” on page 17
- “Important information about replacing RoHS compliant FRUs” on page 18

Important:

BIOS and device driver fixes are customer-installable. The BIOS and device drivers are posted on the customer support site:

<http://support.lenovo.com>.

Strategy for replacing FRUs

Before replacing parts:

Make sure that all software fixes, drivers, and BIOS downloads are installed before replacing any FRUs listed in this manual.

After a system board is replaced, ensure that the latest BIOS is loaded to the system board before completing the service action.

To download software fixes, drivers, and BIOS, follow the steps below:

1. Go to <http://support.lenovo.com>.
2. Enter the serial number or select a product or use Lenovo smart downloading.
3. Select the BIOS/Driver/Applications and download.
4. Follow the directions on the screen and install the necessary software.

Use the following strategy to prevent unnecessary expense for replacing and servicing FRUs:

- If you are instructed to replace an FRU, but the replacement does not solve the problem, reinstall the original FRU before you continue.
- Some computers have both a processor board and a system board. If you are instructed to replace either of them, and replacing one of them does not solve the problem, reinstall that board, and then replace the other one.
- If an adapter or a device consists of more than one FRU, any of the FRUs may be the cause of the error. Before replacing the adapter or device, remove the FRUs one by one to see if the symptoms change. Replace only the FRU that changed the symptoms.

Attention: The setup configuration on the computer you are servicing may have been customized. Running Automatic Configuration may alter the settings. Note the current configuration settings (using the View Configuration option); then, when service has been completed, verify that those settings remain in effect.

Strategy for replacing a hard disk drive

Always try to run a low-level format before replacing a hard disk drive. This will cause all customer data on the hard disk to be lost. Make sure that the customer has a current backup of the data before performing this action.

Attention: The drive startup sequence in the computer you are servicing may have been changed. Be extremely careful during write operations such as copying, saving, or formatting. If you select an incorrect drive, data or programs can be overwritten.

Important notice for replacing a system board

Some components mounted on a system board are very sensitive. Improper handling can cause damage to those components, and may cause a system malfunction.

Attention: When handling a system board:

- Do not drop the system board or apply any excessive force to it.
- Avoid rough handling of any kind.
- Avoid bending the system board and hard pushing to prevent cracking at each BGA (Ball Grid Array) chipset.

Important information about replacing RoHS compliant FRUs

RoHS, The Restriction of Hazardous Substances in Electrical and Electronic Equipment Directive (2002/95/EC) is a European Union legal requirement affecting the global electronics industry. RoHS requirements must be implemented on Lenovo products placed on the market after June 2006. Products on the market before June 2006 are not required to have RoHS compliant parts. If the original FRU parts are non-compliant, replacement parts can also be non-compliant. In all cases if the original FRU parts are RoHS compliant, the replacement part must also be RoHS compliant.

Note: RoHS and non-RoHS FRU part numbers with the same fit and function are identified with unique FRU part numbers.

Lenovo plans to transit to RoHS compliance well before the implementation date and expects its suppliers to be ready to support Lenovo's requirements and schedule in the EU. Products sold in 2005 and 2006 will contain some RoHS compliant FRUs. The following statement pertains to these products and any product Lenovo produces containing RoHS compliant FRUs.

RoHS compliant FRUs have unique FRU part numbers. Before or after the RoHS implementation date, failed RoHS compliant parts must always be replaced with RoHS compliant ones, so only the FRUs identified as compliant in the system HMM or direct substitutions for those FRUs may be used.

Products marketed before June 2006		Products marketed after June 2006	
Current or original part	Replacement FRU	Current or original part	Replacement FRU
Non-RoHS	Can be Non-RoHS	Must be RoHS	Must be RoHS
Non-RoHS	Can be RoHS		
Non-RoHS	Can sub to RoHS		
RoHS	Must be RoHS		

Note: A direct substitution is a part with a different FRU part number that is automatically shipped by the distribution center at the time of the order.

General checkout

This chapter presents the following information:

- “What to do first” on page 20
- “Power system checkout” on page 21

Before you go to the checkout, make sure to read the following important notes:

Important notes:

- **Only certified trained personnel can service the computer.**
- **Before replacing any FRU, read the entire page on removing and replacing FRUs.**
- **Carefully remove screws for reuse when replacing FRUs.**
- **Be extremely careful during such write operations as copying, saving, or formatting.** Drives in the computer that you are servicing sequence might have been altered. If you select an incorrect drive, data or programs might be overwritten.
- **Replace an FRU only with another FRU of the correct model.** When you replace an FRU, make sure that the machine model and the FRU part number are correct by referring to the FRU parts list.
- **An FRU should not be replaced just because of a single, unreproducible failure.** Single failures can occur for a variety of reasons that have nothing to do with a hardware defect, such as cosmic radiation, electrostatic discharge, or software errors. Consider replacing an FRU only when a problem recurs. If you suspect that an FRU is defective, clear the error logs and run the test again. If the error does not recur, do not replace the FRU.
- **Be careful not to replace a nondefective FRU.**

What to do first

When you do return an FRU, you must include the following information in the parts exchange form or parts return form that you attach to it:

1. Name and phone number of servicer
2. Date of service
3. Date on which the machine failed
4. Date of purchase
5. Procedure index and page number in which the failing FRU was detected
6. Failing FRU name and part number
7. Machine type, model number, and serial number
8. Customer's name and address

Note for warranty: During the warranty period, the customer may be responsible for repair costs if the computer damage was caused by misuse, accident, modification, unsuitable physical or operating environment, or improper maintenance by the customer.

The following is a list of some common items that are not covered under warranty and some symptoms that might indicate that the system was subjected to stress beyond normal use.

Before checking problems with the computer, determine whether the damage is covered under the warranty by referring to the following list:

The following are not covered under warranty:

- LCD panel cracked from the application of excessive force or from being dropped
- Scratched (cosmetic) parts
- Distortion, deformation, or discoloration of the cosmetic parts
- Plastic parts, latches, pins, or connectors that have been cracked or broken by excessive force
- Damage caused by liquid spilled into the system
- Damage caused by the improper insertion of a PC Card or the installation of an incompatible card
- Improper disk insertion or use of an optical drive
- Diskette drive damage caused by pressure on the diskette drive cover, foreign material in the drive, or the insertion of a diskette with multiple labels
- Damaged or bent diskette eject button
- Fuses blown by attachment of a nonsupported device
- Forgotten computer password (making the computer unusable)
- Sticky keys caused by spilling a liquid onto the keyboard
- Use of an incorrect AC adapter on laptop products

The following symptoms might indicate damage caused by nonwarranted activities:

- Missing parts might be a symptom of unauthorized service or modification.
- If the spindle of a hard disk drive becomes noisy, it may have been subjected to excessive force, or dropped.

Power system checkout

To verify a symptom, follow the steps below:

1. Turn off the computer.
2. Remove the battery pack.
3. Connect the AC adapter.
4. Make sure that power is supplied when you turn on the computer.
5. Turn off the computer.
6. Disconnect the AC adapter and install the charged battery pack.
7. Make sure that the battery pack supplies power when you turn on the computer.

If you suspect a power problem, see the appropriate one of the following power supply checkouts:

- “Checking the AC adapter” on page 21
- “Checking operational charging” on page 21
- “Checking the battery pack” on page 22

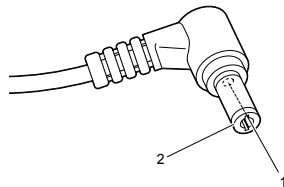
Checking the AC adapter

You are here because the computer fails only when the AC adapter is used.

- If the power-on indicator does not turn on, check the power cord of the AC adapter for correct continuity and installation.
- If the computer does not charge during operation, go to “Checking operational charging”.

To check the AC adapter, follow the steps below:

1. Unplug the AC adapter cable from the computer.
2. Measure the output voltage at the plug of the AC adapter cable. See the following figure:



Pin	Voltage (V DC)
1	+20
2	0

Note: Output voltage for the AC adapter pin No. 2 may differ from the one you are servicing.

3. If the voltage is not correct, replace the AC adapter.
4. If the voltage is acceptable, do the following:
 - Replace the system board.
 - If the problem persists, go to “Lenovo ideapad 530S-14IKB/ideapad 530S-15IKB” on page 27.

Note: Noise from the AC adapter does not always indicate a defect.

Checking operational charging

To check whether the battery charges properly during operation, use a discharged battery pack or a battery pack that has less than 50% of the total power remaining when installed in the computer.

Perform operational charging. If the battery status indicator or icon does not light on, remove the battery pack and let it return to room temperature. Reinstall the battery pack. If the charge indicator or icon is still off, replace the battery pack.

If the charge indicator still does not light on, replace the system board. Then reinstall the battery pack. If it is still not charged, go to the next section.

Checking the battery pack

Battery charging does not start until the Power Meter shows that less than 95% of the total power remains; under this condition the battery pack can charge to 100% of its capacity. This protects the battery pack from being overcharged or from having a shortened life.

To check your battery, move your cursor to the Power Meter icon in the icon tray of the Windows® taskbar and wait for a moment (but do not click it), and the percentage of battery power remaining is displayed. To get detailed information about the battery, double-click the Power Meter icon.

Note: If the battery pack becomes hot, it may not be able to be charged. Remove it from the computer and leave it at room temperature for a while. After it cools down, reinstall and recharge it.

Related service information

This chapter presents the following information:

- “Restoring the factory contents by using OneKey Recovery” on page 23
- “Passwords” on page 24
- “Power management” on page 25

Restoring the factory contents by using Push-button reset

Restore of factory default

The Lenovo ideapad 530S-14IKB/ideapad 530S-15IKB computers come with pre-installed Push-button reset. In order to save application files and the initial backed up files of the system, the hard disk in a Lenovo computer includes a hidden partition when it is shipped. If you need to restore the system to the point of your first boot up, press the Novo button and run **System Recovery**. For details of “Push-button reset”, see the *Recovery system* in the *User Guide*.

Note: This will delete all the new data on the system partition (C drive), which is not recoverable. Make sure to back up your critical data before you perform this action.

When you use the recovery discs to boot your computer, the system will enter the user interface for system recovery automatically. Please follow the prompt to insert the backup discs to complete the whole recovery process.

Note: The recovery process might take up to 2 hours.

Passwords

As many as three passwords may be needed for any Lenovo computer: the power-on password (POP), the hard disk password (HDP), and the administrator password.

If any of these passwords has been set, a prompt for it appears on the screen whenever the computer is turned on. The computer does not start until the password is entered.

Power-on password

A power-on password (POP) protects the system from being powered on by an unauthorized person. The password must be entered before an operating system can be booted.

Hard-disk password

There are two hard-disk passwords (HDPs):

+ User HDP - for the user

+ Master HDP - for the system administrator, who can use it to get access to the hard disk drive even if the user has changed the user HDP

Attention: If the user HDP has been forgotten, check whether a master HDP has been set. If it has, it can be used for access to the hard disk drive. If no master HDP is available, neither Lenovo nor Lenovo authorized service technicians provide any services to reset either the user or the master HDP, or to recover data from the hard disk drive. The hard disk drive can be replaced for a scheduled fee.

Administrator password

Administrator password controls the access of the whole setup utility. Only after the Administrator password has been set can the User password be set. If Administrator password was cleared, the User password was cleared too.

Power management

Note: Power management modes are not supported for APM operating system.

To reduce power consumption, the computer has three power management modes: screen blank, sleep (standby), and hibernation.

To end screen blank state and resume normal operation, press any key on the keyboard.

Putting the computer to sleep or shutting it down

When you have finished working with your computer, you can put it to sleep or shut it down.

Putting your computer to sleep

If you will be away from your computer for only a short time, put the computer to sleep.

When the computer is in sleep mode, you can quickly wake it to resume use, bypassing the startup process.

To put the computer to sleep, do one of the following:

- Close the display lid.
- Press and hold the Power key for about 1 to 5 seconds.
- Move the cursor to the lower-left corner, and then select the Start button.

Select **Power**  → **Sleep**.


Note: Put your computer to sleep before you move it. Moving your computer while the hard disk drive is spinning can damage the hard disk, causing loss of data.

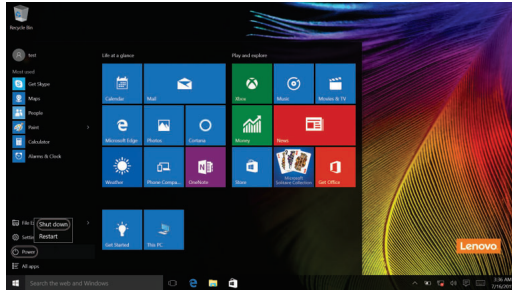
To wake up the computer, perform the following:

- Press any key on the keyboard.

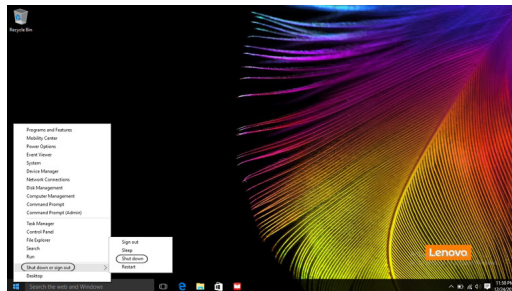
Shutting down the computer

If you are not going to use your computer for a long time, shut it down. To shut down your computer, do one of the following:

- Select the Start button, then select **Power**  → **Shut down**.



- Right-click or press the Start button in the lower-left corner and select **Shut down or sign out** → **Shut down**.



Lenovo ideapad 530S-14IKB/ideapad 530S-15IKB

This chapter presents the following product-specific service references and product-specific parts information:

- “Specifications” on page 27
- “Status indicators” on page 29
- “Hotkeys” on page 30
- “FRU replacement notices” on page 31
- “Removing and replacing an FRU” on page 32
- “Locations” on page 72
- “Parts list” on page 74

Specifications

The following table lists the specifications of the Lenovo ideapad 530S-14IKB/ideapad 530S-15IKB:

Table 1. Specifications

	ideapad 530S-14IKB	ideapad 530S-15IKB
Form Factor		
Dimensions	Appr. 320 mm × 220 mm × 16.4 mm	Appr. 359 mm × 245 mm × 16.8 mm
Weight	Appr. 1.67 kg	Appr. 1.95 kg
LCD size	14.0-inch	15.6-inch
Processor		
See the system properties of your computer, you can do this as follows: Click Control Panel , then click Hardware and Sound , click Device Manager under Devices and Printers and double click Processors .		
Memory		
Type and speed	DDR4	
Maximum supported capacity	32 GB	
SSD		
Interface	PCIe	
Display		
Display resolution (LCD)	1920 × 1080 pixels FHD/2560 × 1440 pixels WQHD	1920 × 1080 pixels FHD
LCD backlight	LED	
I/O Ports		
USB	USB 3.0 × 2, Type-C (USB 3.1) × 1	
Audio	Combo audio jack × 1	
Video/Audio	HDMI slot × 1	
Memory card slot	4 in 1 (SD, SDHC, SDXC, MMC)	

Table 1. Specifications (continued)

Battery pack	
Type	Li-Polymer
Cells/Capacity	3 cell, 34Wh/4 cell, 45Wh
Note: The capacity given here is the typical or average capacity as measured in a specific test environment. Capacities measured in other environments may differ but are no lower than the rated capacity (see product label).	
AC power adapter	
Input	100-240 V, 50-60 Hz
Output voltage	20 V DC
Power	65 W
Miscellaneous	
Camera	HD

Status indicators

The system status indicators below show the computer status:

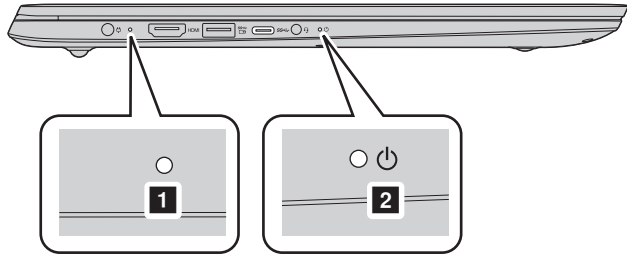


Table 2. Status indicators

1 Battery/Charging status indicator

AC power adapter status	Indicator status	Meaning
Disconnected	Off	The computer is in sleep mode or turned off; The battery has more than 20% charge.
	Solid amber	The battery has between 5% and 20% charge.
	Fast blinking amber	The battery has between 1% and 5% charge.
Connected	Slow blinking amber	The battery is being charged. When battery charge reaches 20%, the blinking color changes to white.
	Slow blinking white	The battery has between 20% and 80% charge and is still charging. When the battery reaches 80% charge the light will stop blinking.
	Solid white	The battery has more than 80% charge, charging will continue until the battery is fully charged.



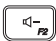





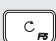



2 Power status indicator

Indicator	Indicator status	Meaning
Power status indicator	On (solid white)	The computer is powered on.
	Blinking	The computer is in sleep mode.
	Off	The computer is powered off.

Hotkeys

You can access certain system settings quickly by pressing the appropriate hotkeys.

Table 3. Hotkeys

 F1	: Mutes/unmutes the sound.	 F7	: Enables/disables airplane mode.
 F9	: Decreases the volume level.	 F9	: Enables/disables camera.
 F9	: Increases the volume level.	 F9	: Locks/unlocks the LCD screen.
 F4	: Enables/disables microphone.	 F10	: Enables the external projector or dangles the external display.
 F5	: Refreshes page.	 F11	: Decreases display brightness.
 F6	: Enables/disables the touch pad.	 F12	: Increases display brightness.

FRU replacement notices

This section presents notices related to removing and replacing parts. Read this section carefully before replacing any FRU.

Screw notices

Loose screws can cause a reliability problem. In the Lenovo computer, this problem is addressed with special nylon-coated screws that have the following characteristics:

- They maintain tight connections.
- They do not easily come loose, even with shock or vibration.
- They are harder to tighten.
- Each one should be used only once.

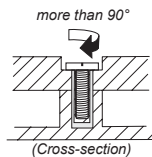
Do the following when you service this machine:

- Keep the screw kit in your tool bag.
- Carefully remove screws for reuse when replacing FRUs.
- Use a torque screwdriver if you have one.

Tighten screws as follows:

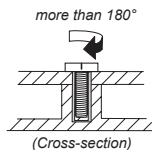
- **Plastic to plastic**

Turn an additional 90° after the screw head touches the surface of the plastic part:



- **Logic card to plastic**

Turn an additional 180° after the screw head touches the surface of the logic card:



- **Torque driver**

If you have a torque screwdriver, refer to the “Torque” column for each step.

- Make sure that you use the correct screws. If you have a torque screwdriver, tighten all screws firmly to the torque shown in the table. **Carefully remove screws for reuse when replacing FRUs. Make sure that all screws are tightened firmly.**
- Ensure torque screwdrivers are calibrated correctly following country specifications.

Removing and replacing an FRU

This section presents exploded figures with the instructions to indicate how to remove and replace the FRU. Make sure to observe the following general rules:

1. Do not attempt to service any computer unless you have been trained and certified. An untrained person runs the risk of damaging parts.
2. Before replacing any FRU, review "FRU replacement notices" on page 31.
3. Begin by removing any FRUs that have to be removed before the failing FRU. Any of such FRUs are listed at the top of the page. Remove them in the order in which they are listed.
4. Follow the correct sequence in the steps to remove the FRU, as given in the figures by the numbers in square callouts.
5. When turning a screw to replace an FRU, turn it in the direction as given by the arrow in the figure.
6. When removing the FRU, move it in the direction as given by the arrow in the figure.
7. To put the new FRU in place, reverse the removal procedures and follow any of the notes that pertain to replacement. For information about connecting and arranging internal cables, see "Locations" on page 72.
8. When replacing an FRU, use the correct screw as shown in the procedures.

DANGER

Before removing any FRU, turn off the computer, unplug all power cords from electrical outlets, remove the battery pack, and then disconnect any of the interconnecting cables.

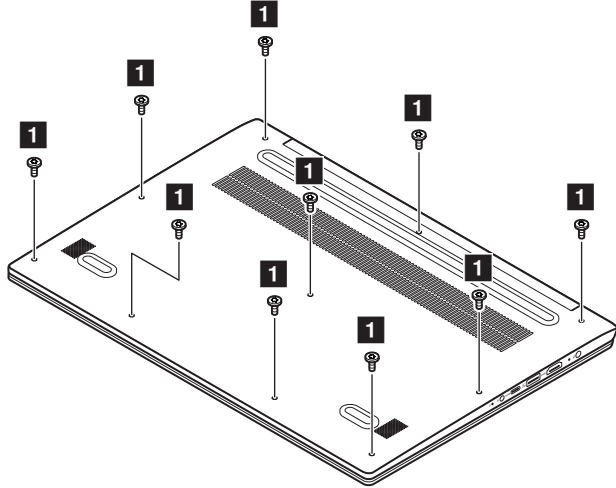
Attention: After replacing an FRU, do not turn on the computer until you have made sure that all screws, springs, and other small parts are in place and none are loose inside the computer. Verify this by shaking the computer gently and listening for rattling sounds. Metallic parts or metal flakes can cause electrical short circuits.

Attention: The system board is sensitive to, and can be damaged by, electrostatic discharge. Before touching it, establish personal grounding by touching a ground point with one hand or using an electrostatic discharge (ESD) strap (P/N 6405959) to remove potential shock reasons.

1010 Base cover

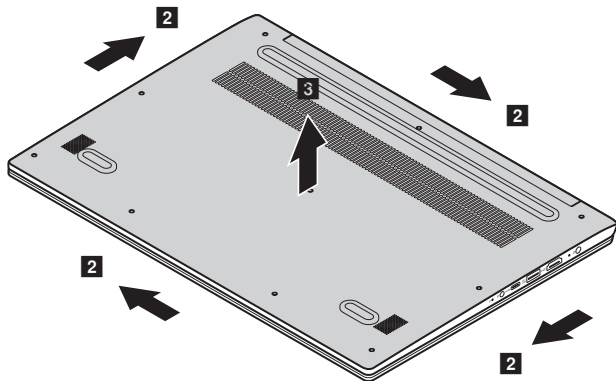
Figure 1. Removal steps of base cover

Remove the screws ■.



Step	Screw (quantity)	Color	Torque
■	M2×6.5mm, plum flower head (10)	Silver	3kg±0.3 kgf.cm

Remove the base cover in the directions shown by arrows 2 and 3.



Note: Applying labels to the base cover

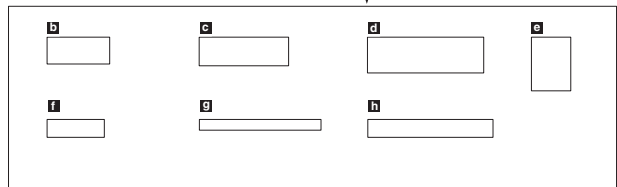
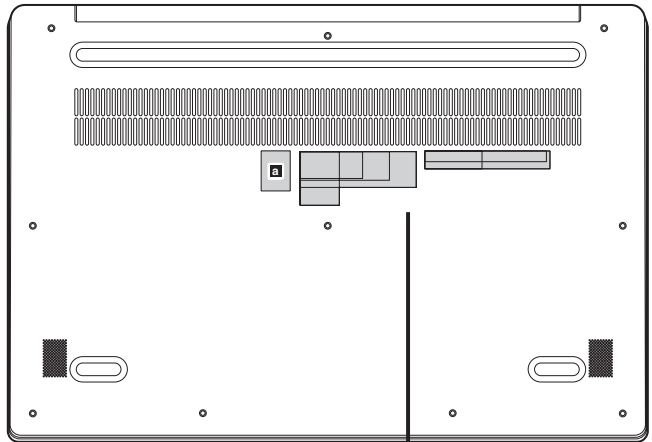
The new base cover FRU is shipped with a kit containing labels of several kinds. When you replace the base cover, you need to apply the following labels:

The following labels need to be peeled off from the old base cover and put on the new base cover.

- a** GML label 16.077×22.501mm
- b** WL/BT label 35×15mm
- c** KCC label 50×16mm
- d** Adapter label 65×20mm
- e** BIS label 22×30mm
- f** Indonesia label 32×10mm
- g** Argentina label 68×6mm
- h** TW label 70×10mm

For some models, you also need to apply one or two FCC labels. Check the old base cover; if it has one or two FCC labels, find duplicates of them in the label kit and apply them to the new base cover.

For the location of each label, refer to the following figures:



1020 Battery pack

⚠ DANGER

Only use the battery specified in the parts list for your computer. Any other battery could ignite or explode.

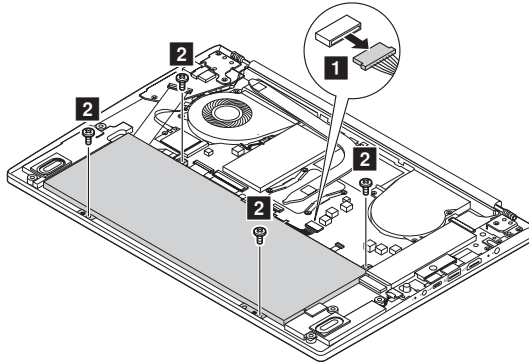
For access, remove this FRU:

- “1010 Base cover” on page 33

Figure 2. Removal steps of battery pack

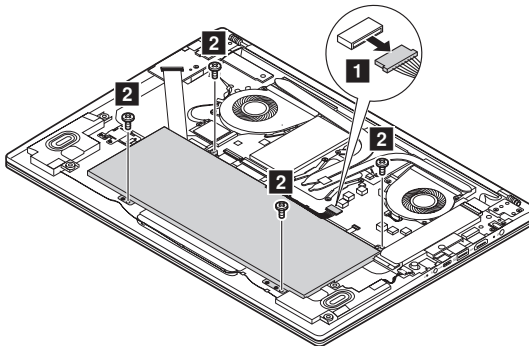
Detach the battery pack connector in the direction shown by arrow **1**, and remove the screws **2**.

ideapad 530S-14IKB



Step	Screw (quantity)	Color	Torque
2	M2X3.5mm, Phillips-head (4)	Silver	1.85kg±0.15 kgf.cm

ideapad 530S-15IKB



Step	Screw (quantity)	Color	Torque
2	M2X3.5mm, Phillips-head (4)	Black	1.85kg±0.15 kgf.cm

Figure 2. Removal steps of battery pack (continued)

Remove the battery pack in the direction shown by arrow **3**.

ideapad 530S-14IKB

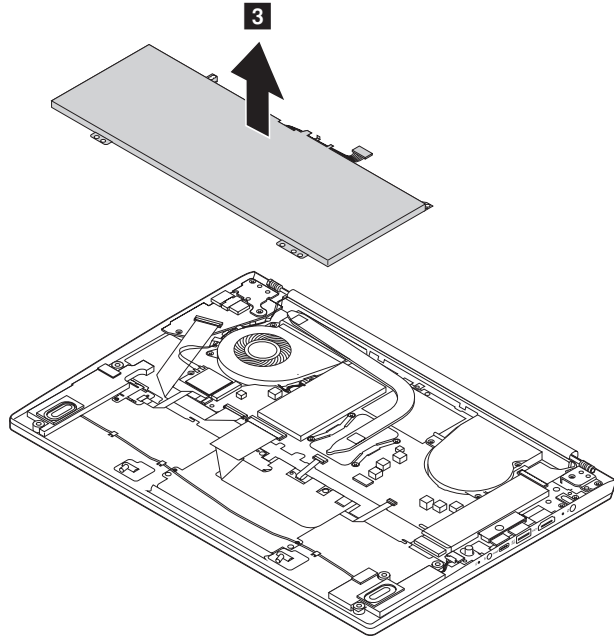
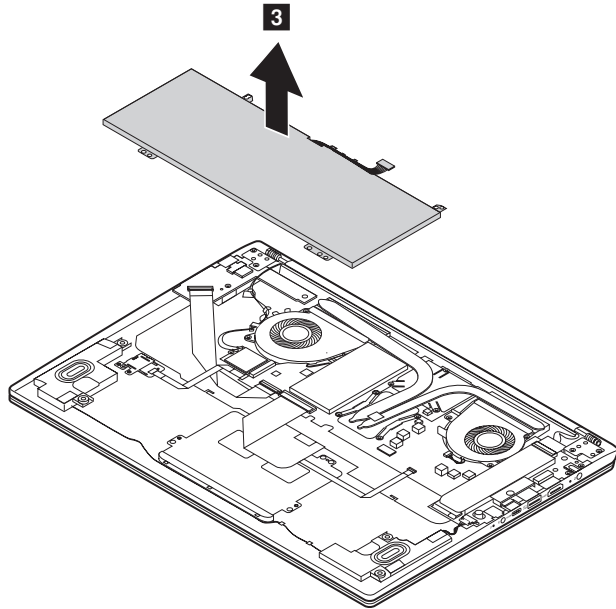


Figure 2. Removal steps of battery pack (continued)

ideapad 530S-15IKB



1030 PCI Express Mini Card for wireless LAN

For access, remove these FRUs in order:

- “1010 Base cover” on page 33
- “1020 Battery pack” on page 35

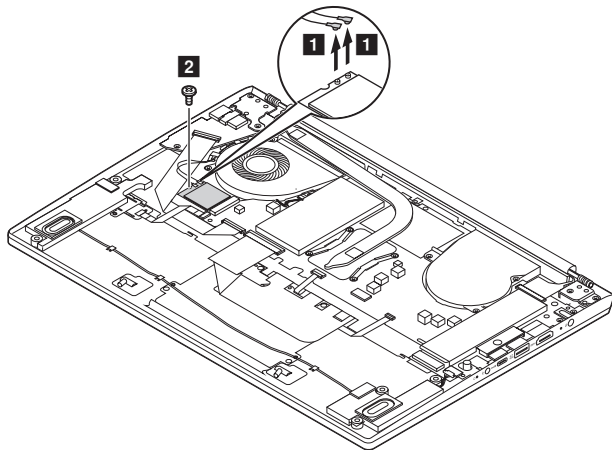
Important:

The preinstalled WLAN module may only be replaced with a Lenovo approved module in order to comply with FCC and IC regulations. Refer to Table 4 “Parts list—Overall” on page 75 for Lenovo part numbers for the approved modules.

Figure 3. Removal steps of PCI Express Mini Card for wireless LAN

Disconnect the two wireless LAN cables (black, grey) ■, and then remove the screw 2.

ideapad 530S-14IKB

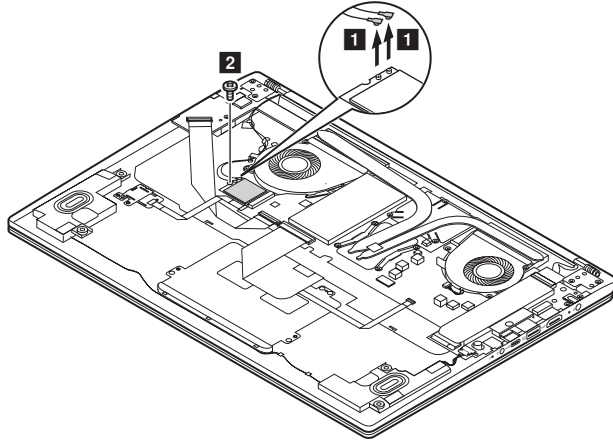


In step ■, unplug the jacks by using the removal tool antenna RF connector (P/N: 08K7159), or pick up the connectors with your fingers and gently unplug them in the directions shown by the arrows.

Step	Screw (quantity)	Color	Torque
2	M2X3.5mm, Phillips-head (1)	Silver	1.85kg±0.15kgf.cm

Figure 3. Removal steps of PCI Express Mini Card for wireless LAN (continued)

ideapad 530S-15IKB

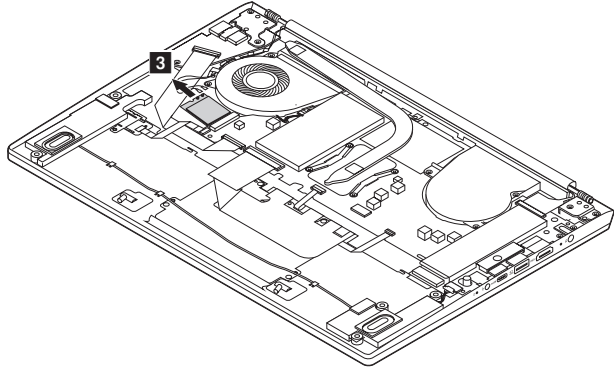


Step	Screw (quantity)	Color	Torque
2	M2X3.5mm, Phillips-head (1)	Black	1.85kg±0.15kgf.cm

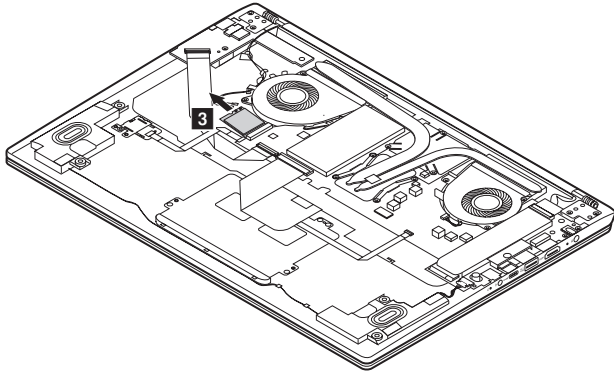
Figure 3. Removal steps of PCI Express Mini Card for wireless LAN (continued)

Remove the card in the direction shown by arrow **3**.

ideapad 530S-14IKB



ideapad 530S-15IKB



When installing:

- Plug the black cable (1st) (MAIN) into the jack labeled **MAIN**, and the grey cable (2nd) (AUX) into the jack labeled **AUX** on the card.

1040 Fan assembly and Heat Sink assembly

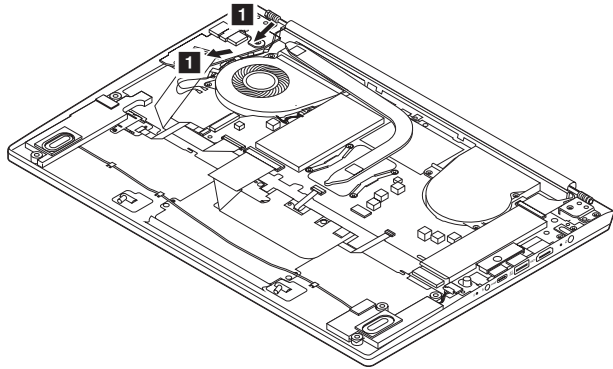
For access, remove these FRUs in order:

- “1010 Base cover” on page 33
- “1020 Battery pack” on page 35
- “1030 PCI Express Mini Card for wireless LAN” on page 38

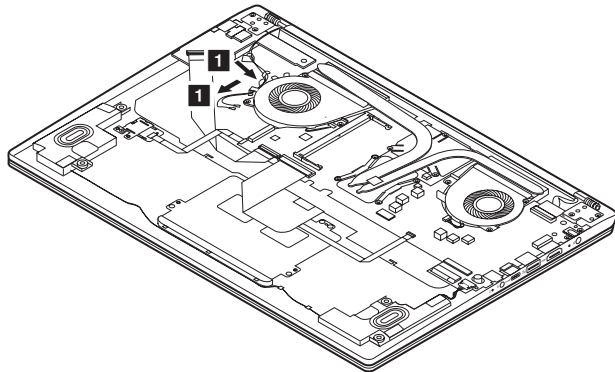
Figure 4. Removal steps of fan assembly and Heat Sink assembly

Release the cables from the cable guides in the direction shown by arrows ■.

ideapad 530S-14IKB



ideapad 530S-15IKB

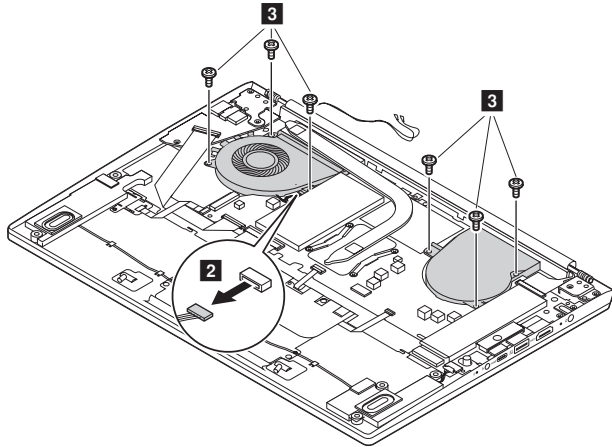


When installing: Route the antenna cables along the cable guides. As you route the cables, make sure that they are not subjected to any tension. Tension could cause the cables to be damaged by the cable guides, or a wire to be broken.

Figure 4. Removal steps of fan assembly and Heat Sink assembly (continued)

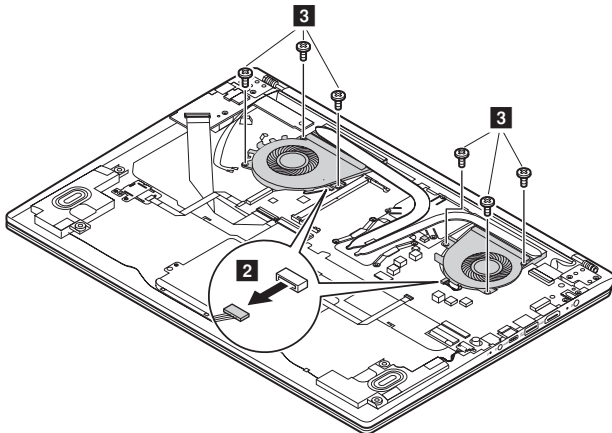
Unplug the fan connectors in the direction shown by arrow **2**. Remove the screws **3**.

ideapad 530S-14IKB



Step	Screw (quantity)	Color	Torque
3	M2X3.5mm, Phillips-head (6)	Silver	1.85kg±0.15kgf.cm

ideapad 530S-15IKB



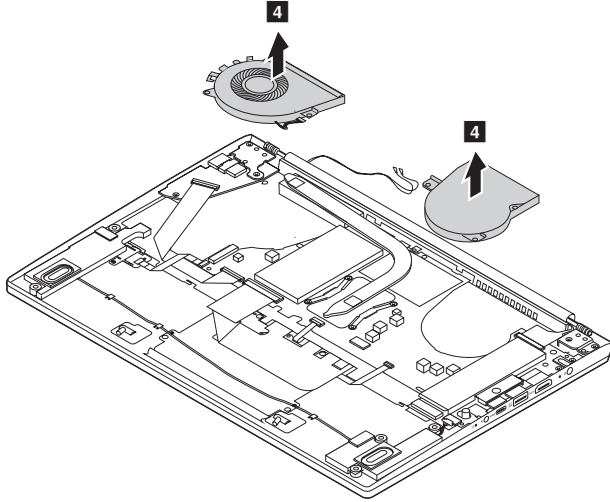
Step	Screw (quantity)	Color	Torque
3	M2X3.5mm, Phillips-head (6)	Black	1.85kg±0.15kgf.cm

When installing: Make sure that the connectors are attached firmly.

Figure 4. Removal steps of fan assembly and Heat Sink assembly (continued)

Remove the fans in the direction shown by arrows 4. Be careful not to damage the connectors.

ideapad 530S-14IKB



ideapad 530S-15IKB

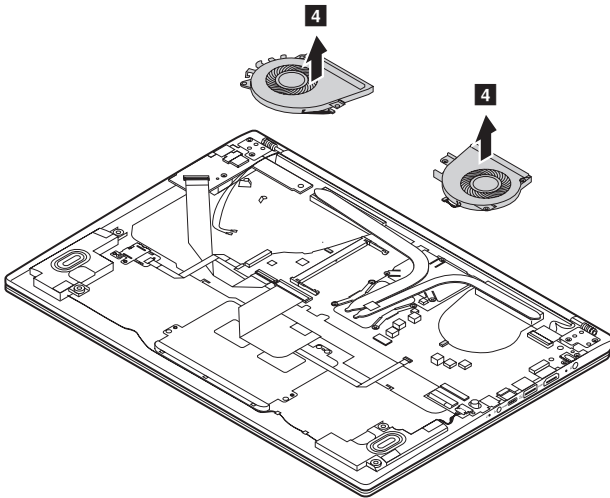
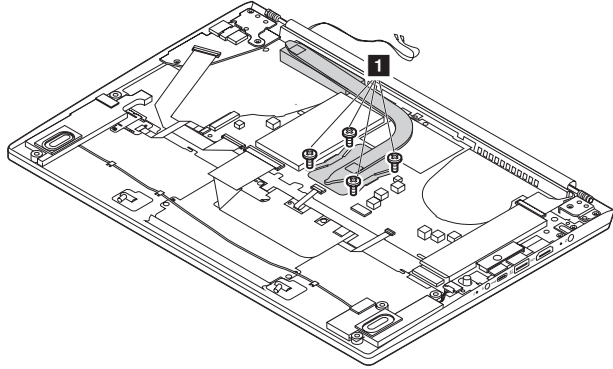


Figure 4. Removal steps of fan assembly and Heat Sink assembly (continued)

Loosen the screws ■.

ideapad 530S-14IKB



ideapad 530S-15IKB

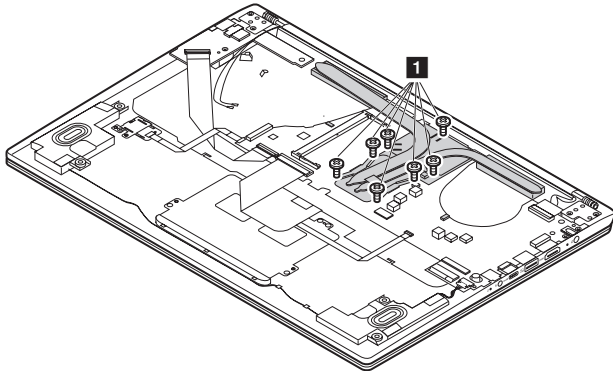
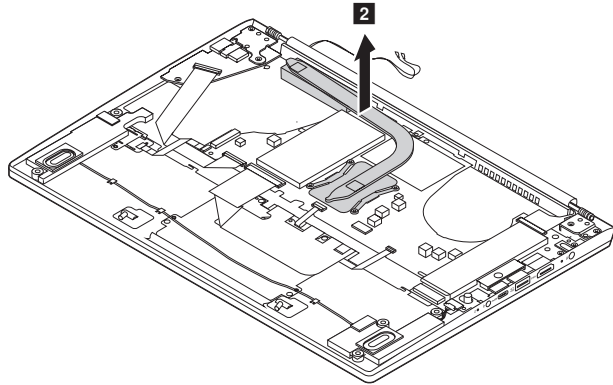


Figure 4. Removal steps of fan assembly and Heat Sink assembly (continued)

Lift the heat sink in the direction shown by arrows **2**.

ideapad 530S-14IKB



ideapad 530S-15IKB

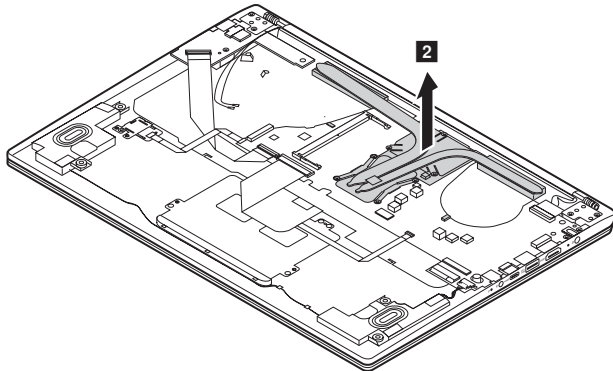
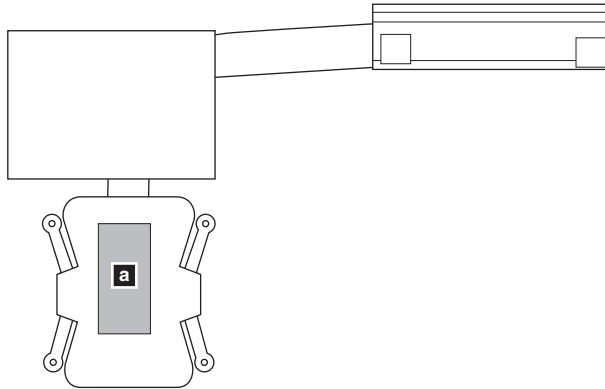
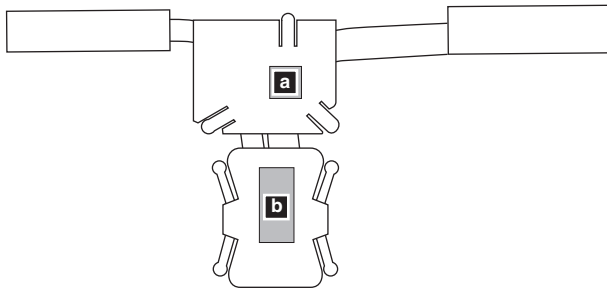


Figure 4. Removal steps of fan assembly and Heat Sink assembly (continued)

ideapad 530S-14IKB



ideapad 530S-15IKB



When installing: Before you attach the fan assembly to the computer, apply thermal grease, at an amount of 0.2 grams, to the **a b** part shown in the figure above. Either too much or too little grease application can cause a thermal problem due to imperfect contact with a component.

1050 DIMM

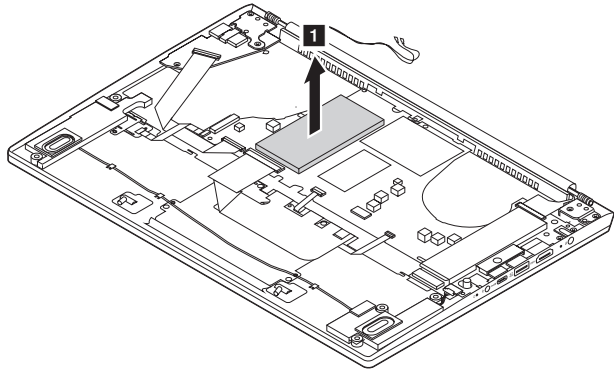
For access, remove these FRUs in order:

- “1010 Base cover” on page 33
- “1020 Battery pack” on page 35
- “1030 PCI Express Mini Card for wireless LAN” on page 38
- “1040 Fan assembly and Heat Sink assembly” on page 41

Figure 5. Removal steps of DIMM

Remove the DIMM cover in the direction shown by arrow ■.

ideapad 530S-14IKB



ideapad 530S-15IKB

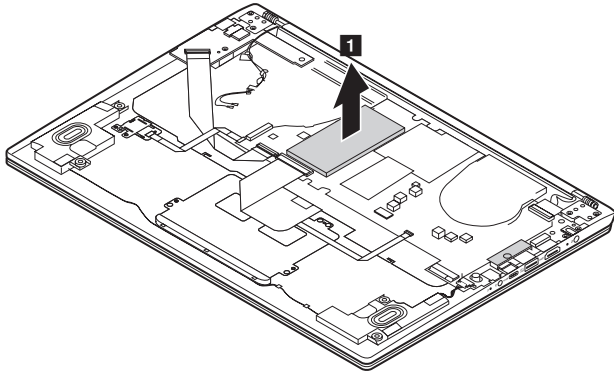
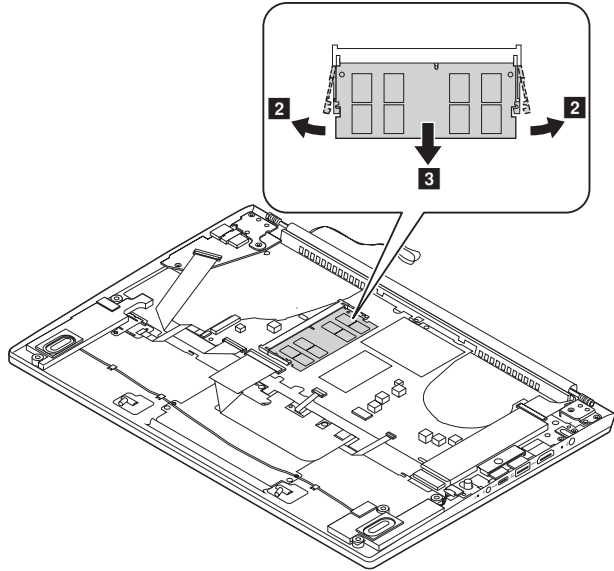


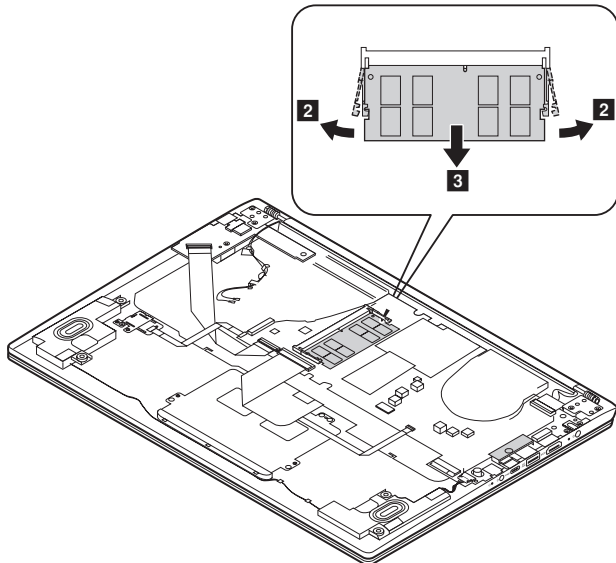
Figure 5. Removal steps of DIMM (continued)

Release the two latches on both edges of the socket at the same time in the directions shown by arrows **2**, and then unplug the DIMM in the direction shown by arrow **3**.

ideapad 530S-14IKB



ideapad 530S-15IKB



1060 SSD card

For access, remove these FRUs in order:

- “1010 Base cover” on page 33
- “1020 Battery pack” on page 35
- “1030 PCI Express Mini Card for wireless LAN” on page 38
- “1040 Fan assembly and Heat Sink assembly” on page 41
- “1050 DIMM” on page 47

Attention:

- **Do not drop the SSD card or apply any physical shock to it.** The SSD card is sensitive to physical shock. Improper handling can cause damage and permanent loss of data.
- Before removing the SSD card, suggest the customer backup all the information on it if possible.
- Never remove the SSD card while the system is operating or in suspend mode.

Figure 6. Removal steps of SSD

Remove the SSD cover in the direction shown by arrow ■.

ideapad 530S-14IKB

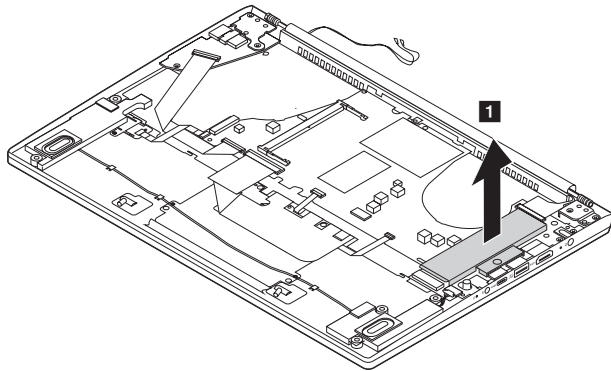
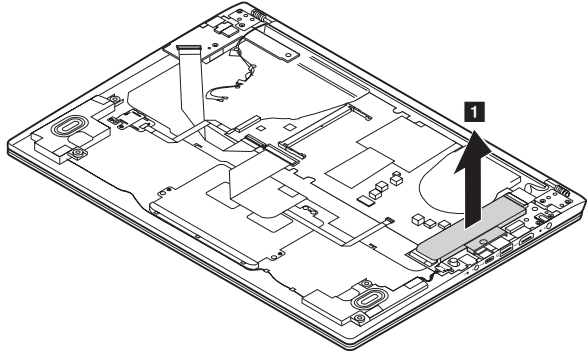


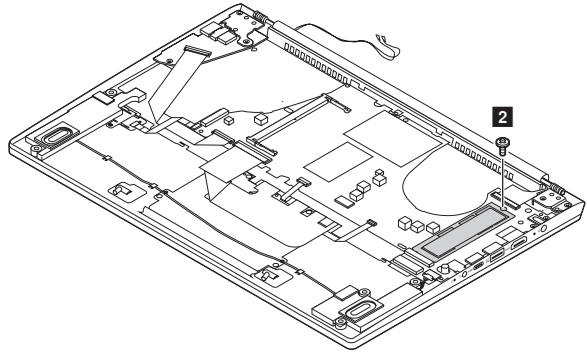
Figure 6. Removal steps of SSD (continued)

ideapad 530S-15IKB



Remove the screw **2**.

ideapad 530S-14IKB



Step	Screw (quantity)	Color	Torque
2	M2X3.5mm, Phillips-head(1)	Silver	1.85kg±0.15kgf.cm

ideapad 530S-15IKB

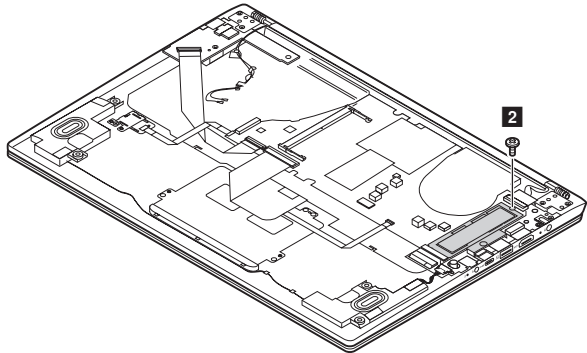
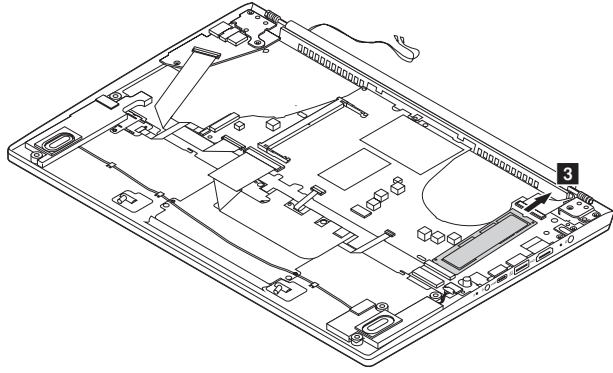


Figure 6. Removal steps of SSD (continued)

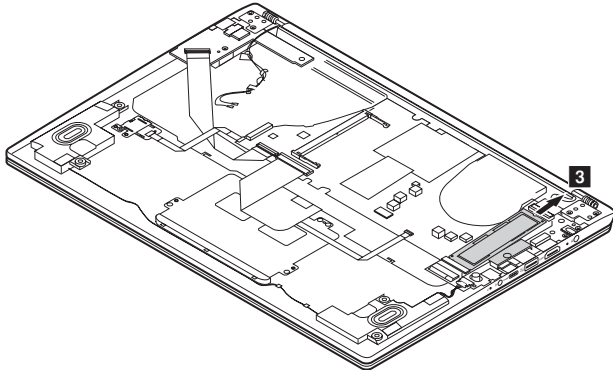
Step	Screw (quantity)	Color	Torque
2	M2X3.5mm, Phillips-head(1)	Black	1.85kg±0.15kgf.cm

Remove the SSD card in the direction shown by arrow 3.

ideapad 530S-14IKB



ideapad 530S-15IKB



1070 Speakers

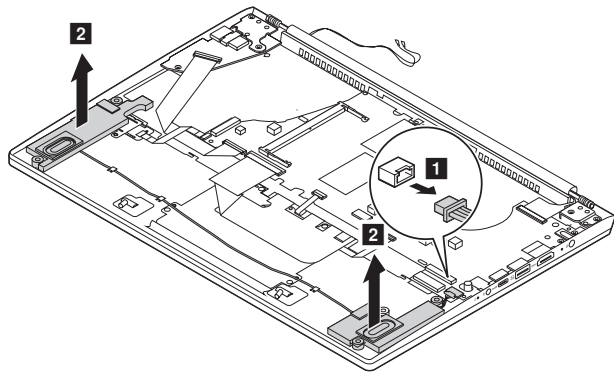
For access, remove these FRUs in order:

- “1010 Base cover” on page 33
- “1020 Battery pack” on page 35
- “1030 PCI Express Mini Card for wireless LAN” on page 38
- “1040 Fan assembly and Heat Sink assembly” on page 41
- “1050 DIMM” on page 47
- “1060 SSD card” on page 49

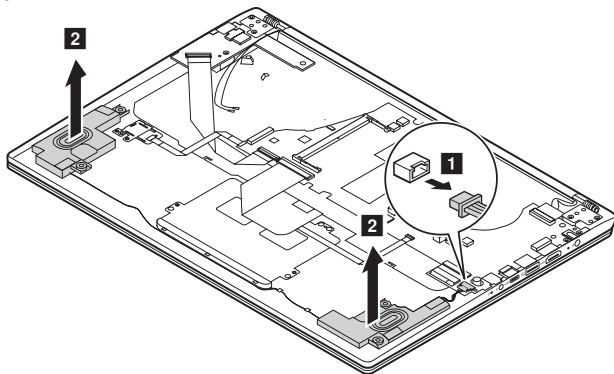
Figure 7. Removal steps of speakers

Unplug the speaker connector **1**. Then remove the speakers **2**.

ideapad 530S-14IKB



ideapad 530S-15IKB



1080 System board

Important notices for handling the system board:

When handling the system board, bear the following in mind.

- Be careful not to drop the system board on a bench top that has a hard surface, such as metal, wood, or composite.
- Avoid rough handling of any kind.
- During the whole process, make sure not to drop or stack the system board.
- If you put a system board down, make sure to put it only on a padded surface such as an ESD mat or conductive corrugated material.

For access, remove these FRUs in order:

- “1010 Base cover” on page 33
- “1020 Battery pack” on page 35
- “1030 PCI Express Mini Card for wireless LAN” on page 38
- “1040 Fan assembly and Heat Sink assembly” on page 41
- “1050 DIMM” on page 47
- “1060 SSD card” on page 49
- “1070 Speakers” on page 52

Figure 8. Removal steps of system board

Detach the system board connectors in the directions shown by arrows **1** and **2**.

ideapad 530S-14IKB

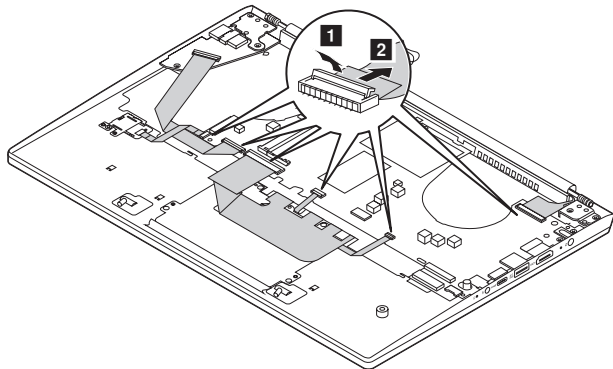
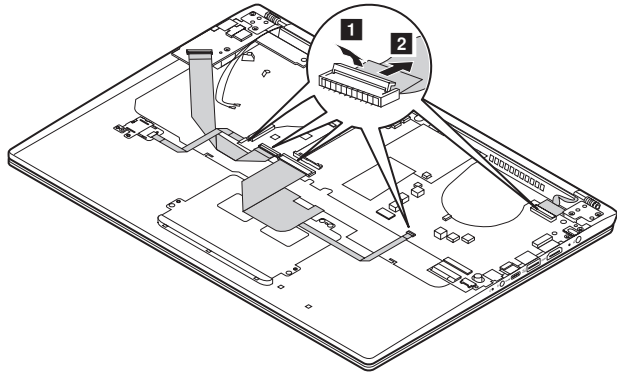


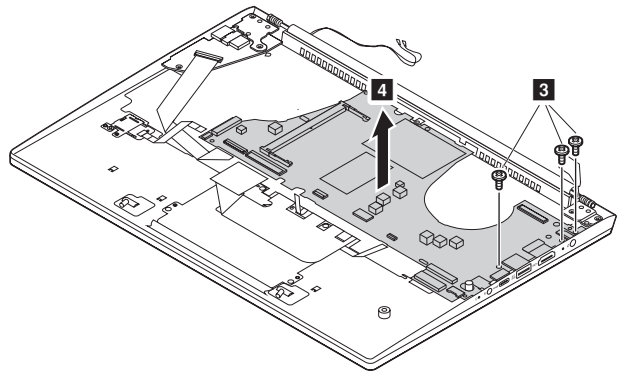
Figure 8. Removal steps of system board (continued)

ideapad 530S-15IKB



Remove the screws **3** and system board **4**.

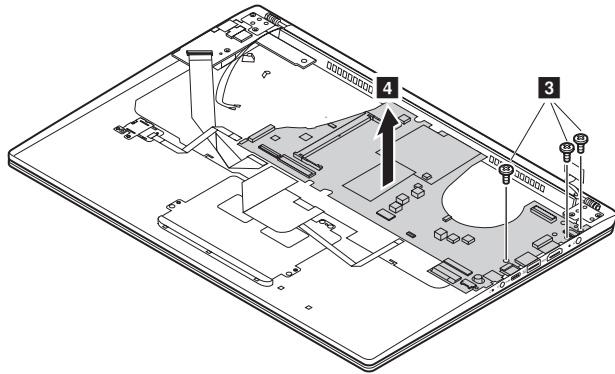
ideapad 530S-14IKB



Step	Screw (quantity)	Color	Torque
3	M2X3.5mm, Phillips head(3)	Silver	1.85kg±0.15kgf.cm

Figure 8. Removal steps of system board (continued)

ideapad 530S-15IKB



Step	Screw (quantity)	Color	Torque
3	M2X3.5mm, Phillips head(3)	Black	1.85kg±0.15kgf.cm

When installing: Make sure that the connectors are attached firmly.

1090 Upper case

For access, remove these FRUs in order:

- “1010 Base cover” on page 33
- “1020 Battery pack” on page 35
- “1030 PCI Express Mini Card for wireless LAN” on page 38
- “1040 Fan assembly and Heat Sink assembly” on page 41
- “1050 DIMM” on page 47
- “1060 SSD card” on page 49
- “1070 Speakers” on page 52
- “1080 System board” on page 53

Figure 9. Removal steps of upper case

Remove the screws **1** and **2**.

ideapad 530S-14IKB

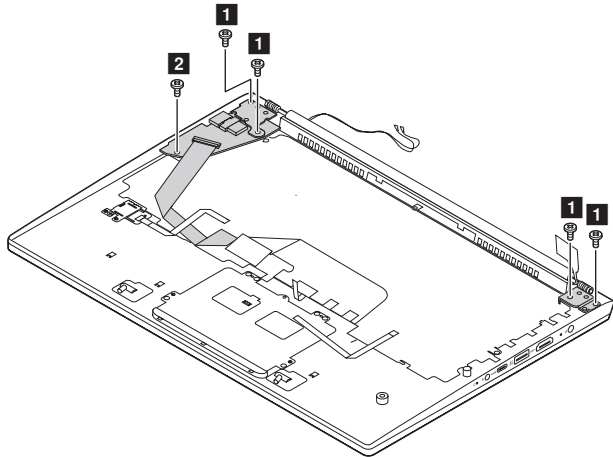
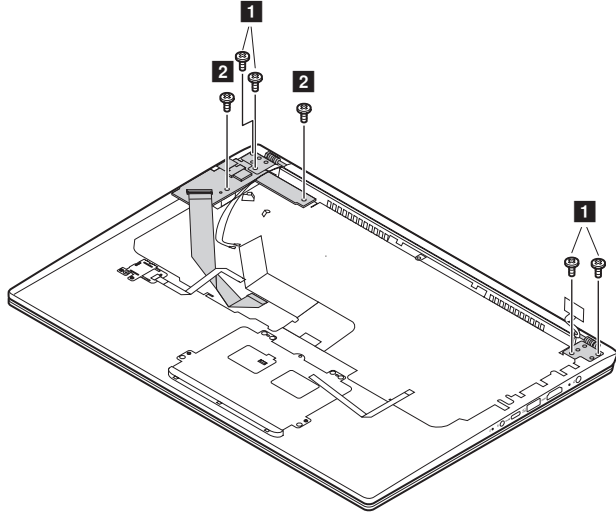


Figure 9. Removal steps of upper case

Step	Screw (quantity)	Color	Torque
1	M2.5X4mm, Phillips head(4)	Black	3kg±0.3kgf.cm
2	M2X3.5mm, Phillips head(1)	Sliver	1.85kg±0.15kgf.cm

ideapad 530S-15IKB

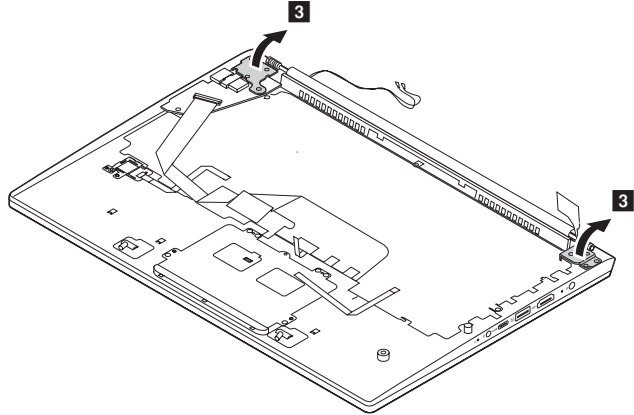


Step	Screw (quantity)	Color	Torque
1	M2.5X4mm, Phillips head(4)	Black	3kg±0.3kgf.cm
2	M2X3.5mm, Phillips head(2)	Black	1.85kg±0.15kgf.cm

Figure 9. Removal steps of Upper case (continued)

Open the hinge in the directions shown by arrows **3**.

ideapad 530S-14IKB



ideapad 530S-15IKB

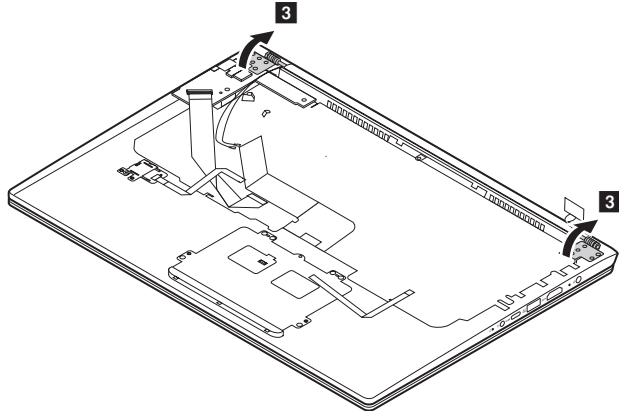
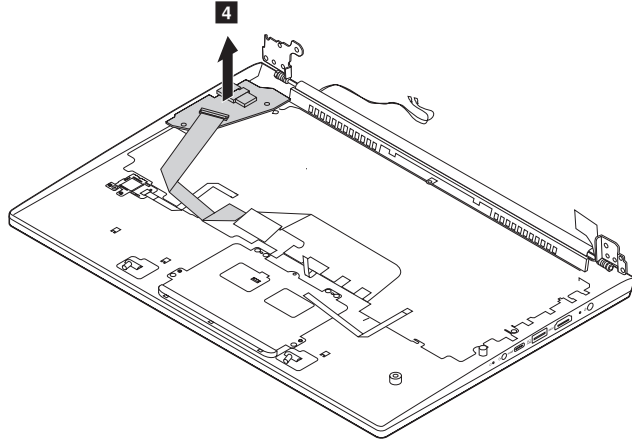


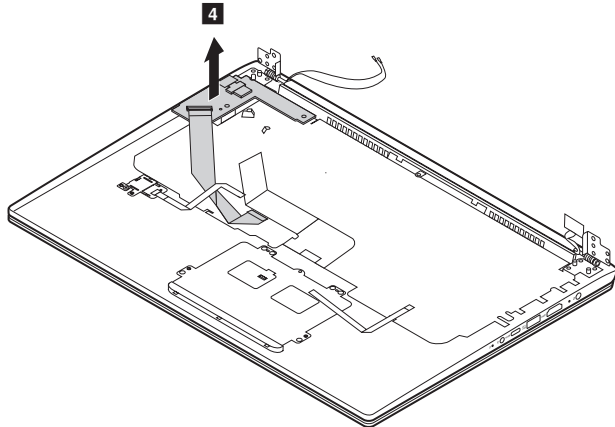
Figure 9. Removal steps of Upper case (continued)

Remove the IO board in the direction shown by arrow 4.

ideapad 530S-14IKB

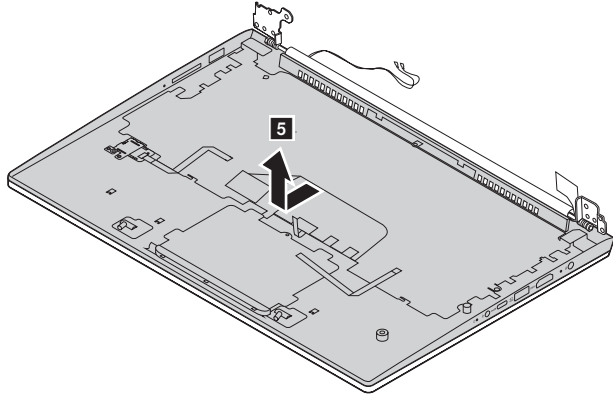


ideapad 530S-15IKB

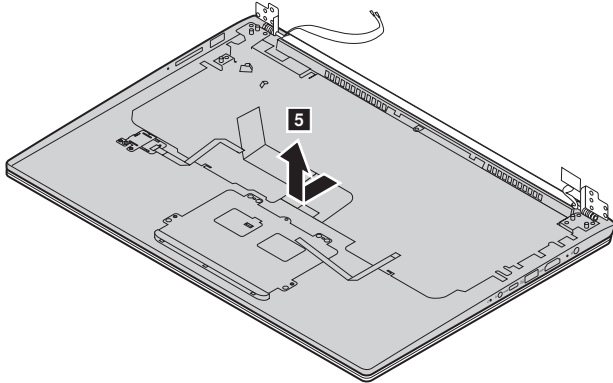


Remove the upper case from the LCD module in the direction shown by arrow **5**.

ideapad 530S-14IKB



ideapad 530S-15IKB



1100 LCD unit

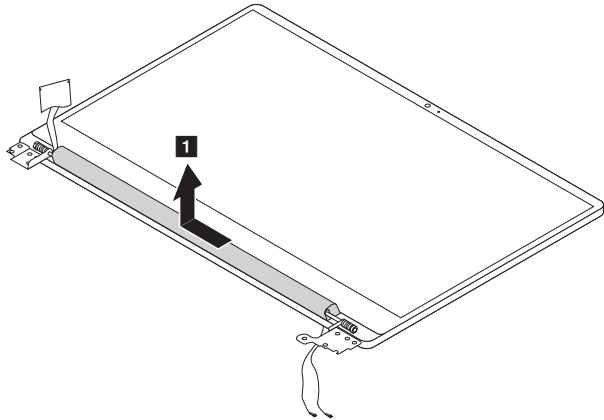
For access, remove these FRUs in order:

- “1010 Base cover” on page 33
- “1020 Battery pack” on page 35
- “1030 PCI Express Mini Card for wireless LAN” on page 38
- “1040 Fan assembly and Heat Sink assembly” on page 41
- “1050 DIMM” on page 47
- “1060 SSD card” on page 49
- “1070 Speakers” on page 52
- “1080 System board” on page 53
- “1090 Upper case” on page 56

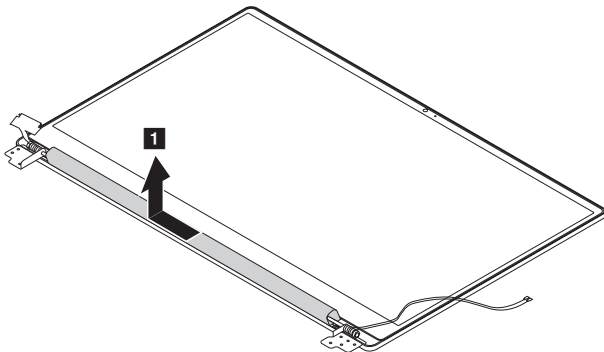
Figure 10. Removal steps of LCD unit

Unlock the hinge cap and remove it in the direction shown by arrow ■.

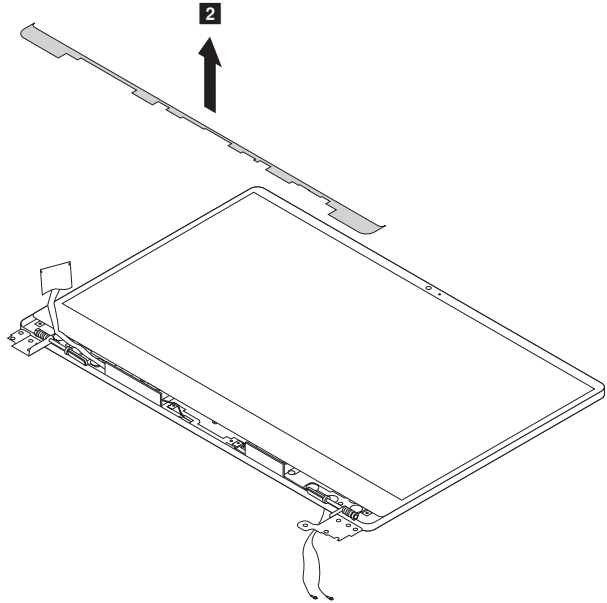
ideapad 530S-14IKB



ideapad 530S-15IKB



Remove the strip cover in the direction shown by arrow **2**.
ideapad 530S-14IKB



ideapad 530S-15IKB

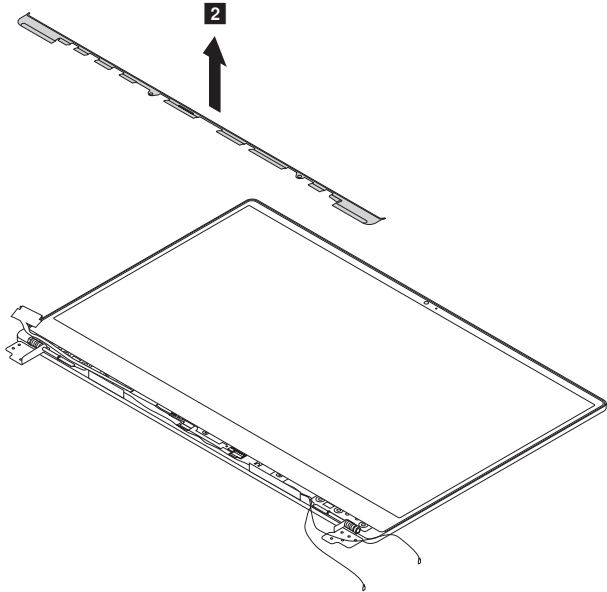
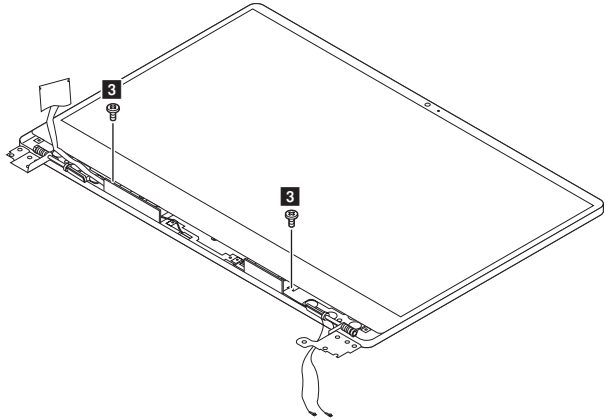


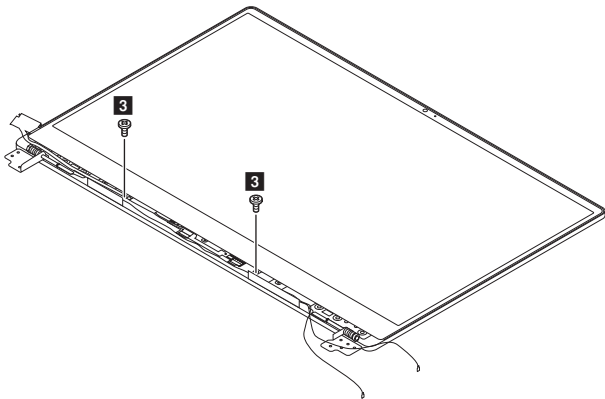
Figure 10. Removal steps of LCD unit (continued)

Remove the screws **3**.

ideapad 530S-14IKB



ideapad 530S-15IKB

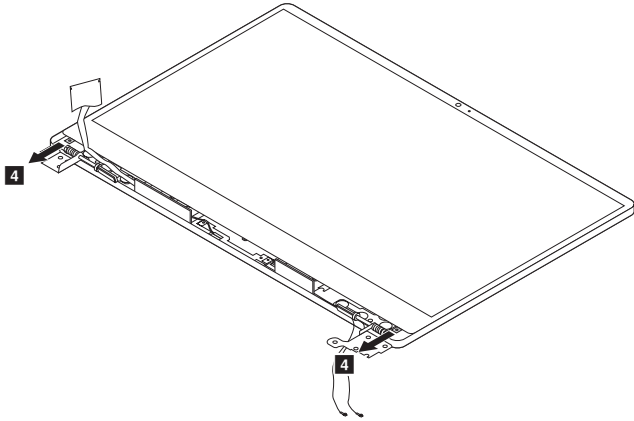


Step	Screw (quantity)	Color	Torque
3	M1.6X2.5mm, Phillips head(2)	Black	1.85kg±0.15kgf.cm

Figure 10. Removal steps of LCD unit (continued)

Pull out the tapes in the directions shown by arrows **4**.

ideapad 530S-14IKB



ideapad 530S-15IKB

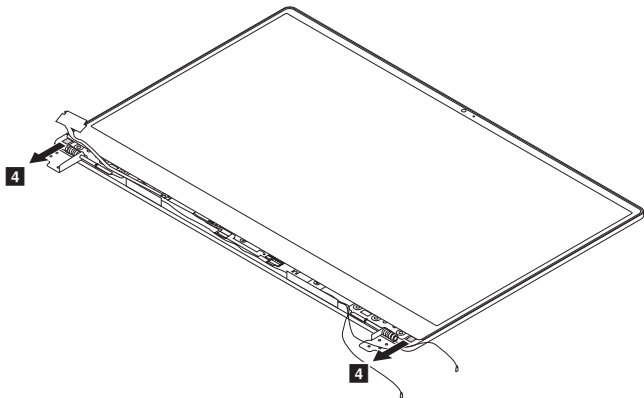
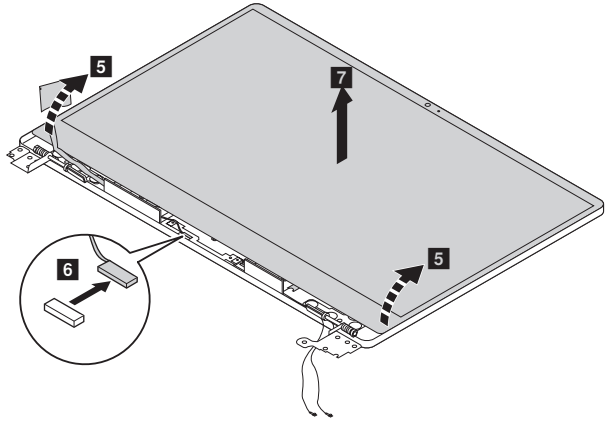


Figure 10. Removal steps of LCD unit (continued)

Lift the LCD module slightly **5**. Disconnect the connector in the direction shown by arrow **6**. Then remove the LCD module **7**.

ideapad 530S-14IKB



ideapad 530S-15IKB

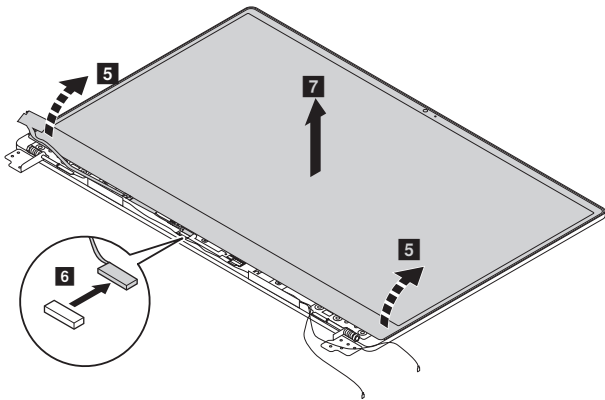
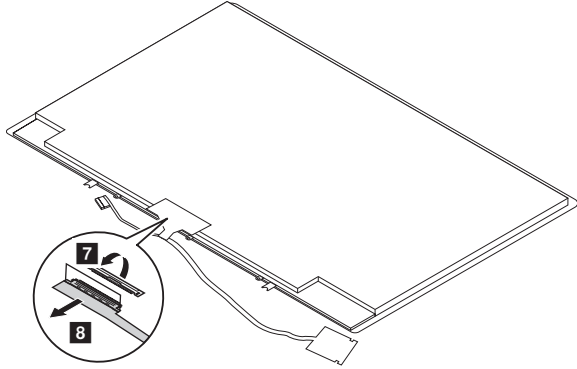


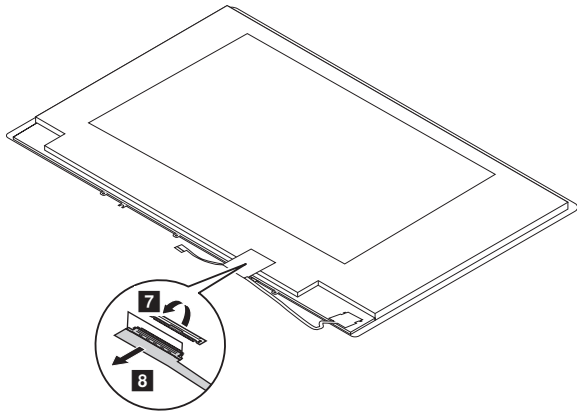
Figure 10. Removal steps of LCD unit (continued)

Detach the EDP connector **7**, and remove the EDP cable **8**.

ideapad 530S-14IKB



ideapad 530S-15IKB



1100 LCD hinges, MIC board and integrated camera

For access, remove these FRUs in order:

- “1010 Base cover” on page 33
- “1020 Battery pack” on page 35
- “1030 PCI Express Mini Card for wireless LAN” on page 38
- “1040 Fan assembly and Heat Sink assembly” on page 41
- “1050 DIMM” on page 47
- “1060 SSD card” on page 49
- “1070 Speakers” on page 52
- “1080 System board” on page 53
- “1090 Upper case” on page 56
- “1100 LCD unit” on page 61

Figure 11. Removal steps of LCD hinges, MIC board and integrated camera

Remove screws ■.

ideapad 530S-14IKB

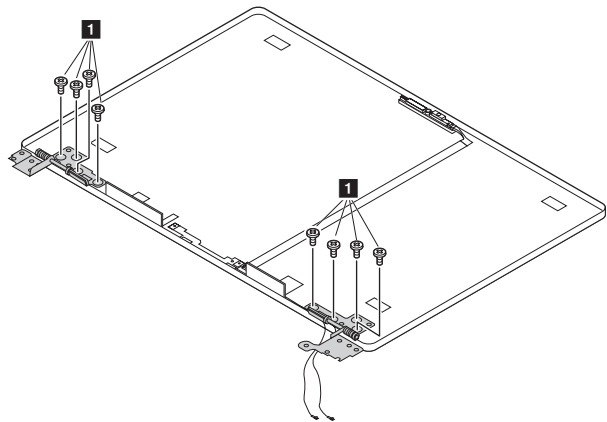
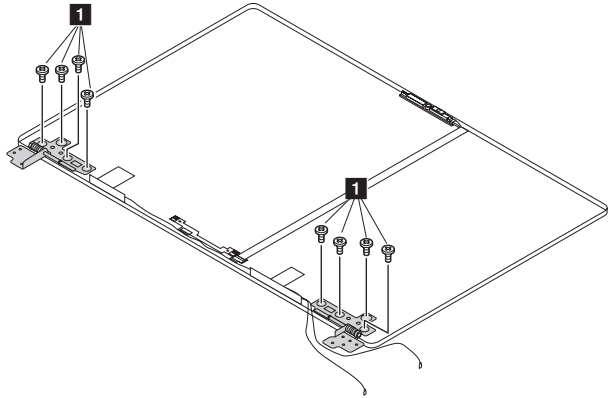


Figure 11. Removal steps of LCD hinges, MIC board and integrated camera
ideapad 530S-15IKB

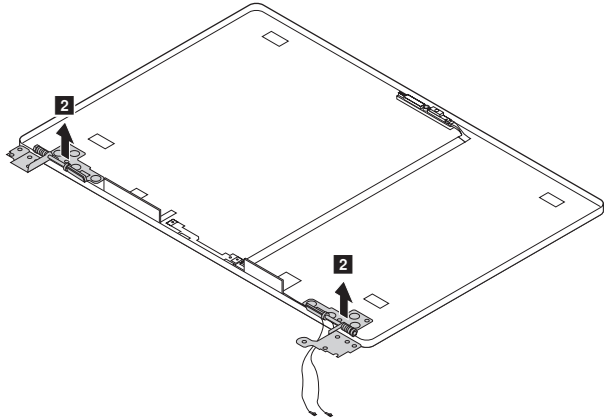


Step	Screw (quantity)	Color	Torque
■	M2X2.2mm, Phillips head(8)	Silver	3kg±0.3kgf.cm

Figure 11. Removal steps of LCD hinges, MIC board and integrated camera

Remove the LCD hinges in the directions shown by arrows 2.

ideapad 530S-14IKB



ideapad 530S-15IKB

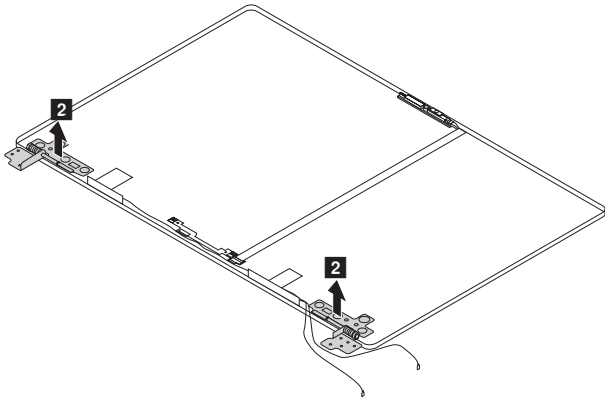
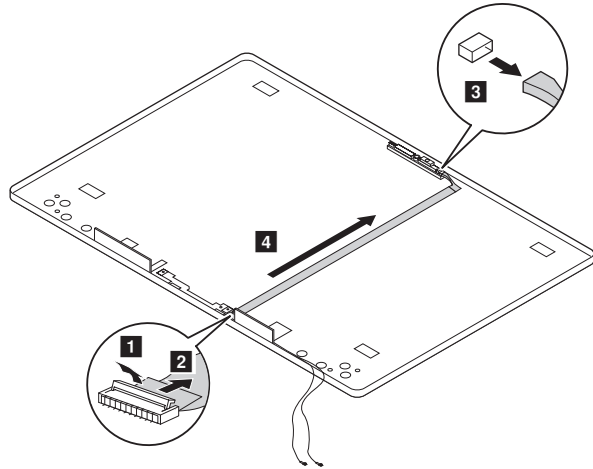


Figure 11. LCD hinges and integrated camera

Disconnect the cable connectors in the directions shown by arrows **1**, **2**, **3**. Then tear down the camera cable in the direction shown by arrow **4**.

ideapad 530S-14IKB



ideapad 530S-15IKB

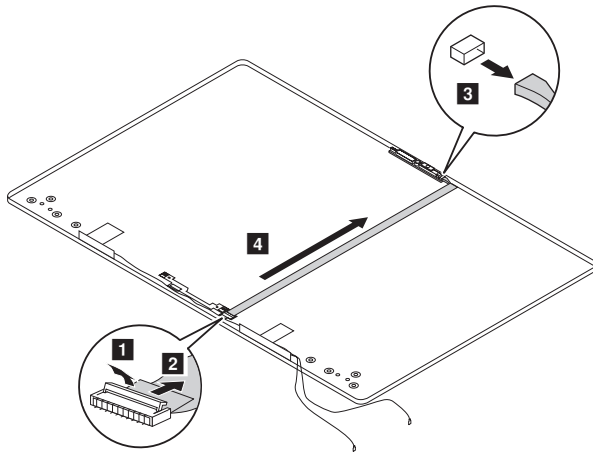
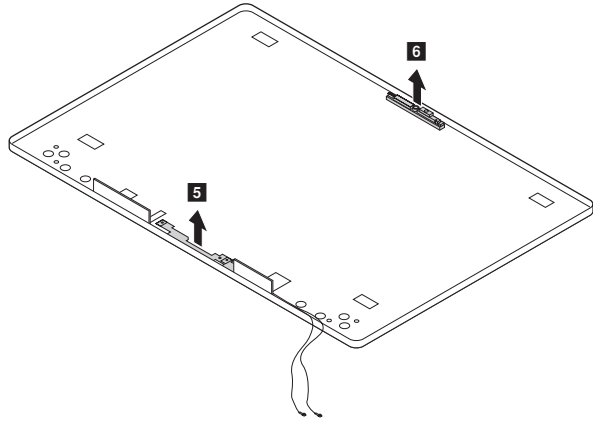


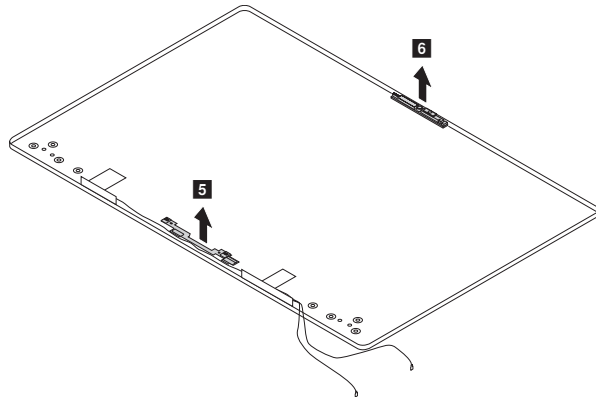
Figure 11. LCD hinges and integrated camera

Remove MIC board and integrated camera in the directions shown by arrows **5** **6**.

ideapad 530S-14IKB



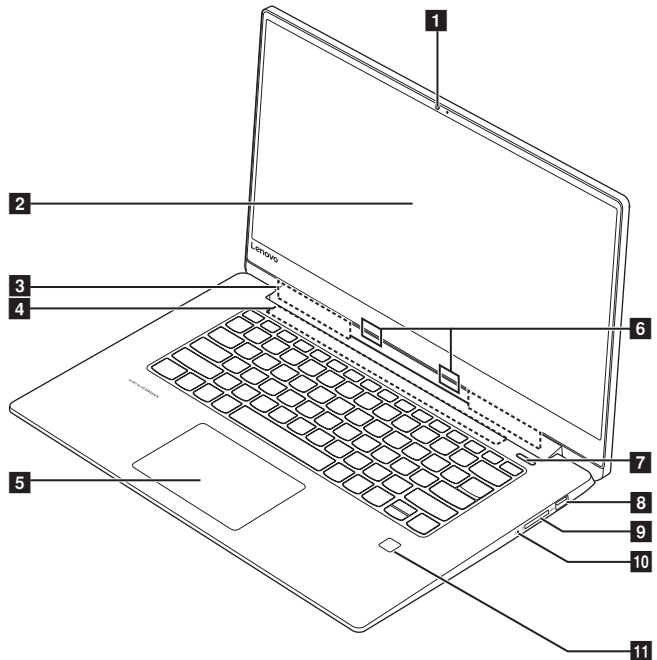
ideapad 530S-15IKB



Locations

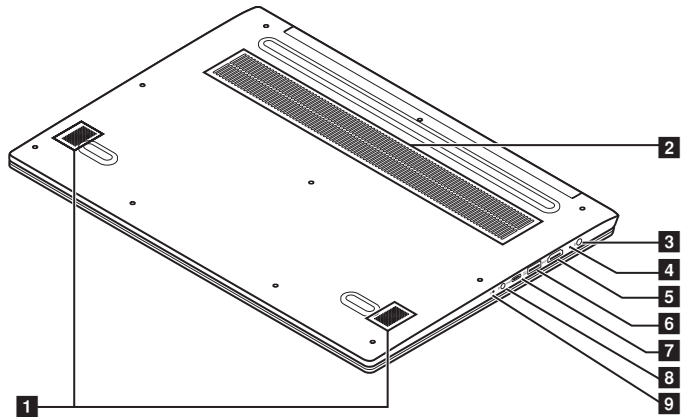
Front view and right-side view

- Integrated camera
- 2 Computer display
- 3 Wireless LAN antennas
- 4 Ventilation slots
- 5 Touch pad
- 6 Built-in microphone
- 7 Power key
- 8 USB 3.0 port
- 9 Memory card slot
- 10 Novo button
- 11 Fingerprint reader (on select models)



Bottom and Left-side view

- Speakers
- 2 Ventilation slots
- 3 AC power adapter jack
- 4 Battery/Charging status indicator
- 5 HDMI port
- 6 USB 3.0 port
- 7 Type-C port (on select models)
- 8 Combo audio jack
- 9 Power status indicator



Parts list

This section presents the following service parts:

- “Overall” on page 75
- “LCD FRUs” on page 104
- “Miscellaneous parts” on page 108
- “AC adapters” on page 108
- “Screws” on page 109

Note:

Each FRU is available for all types or models, unless specific types or models are specified.

Attention:

Do not attempt to replace an FRU on your own. If an FRU is damaged, contact a Lenovo authorized servicer or a marketing representative for replacement or repair. Only qualified technicians can inspect or repair this product.

Overall

ideapad 530S-14IKB

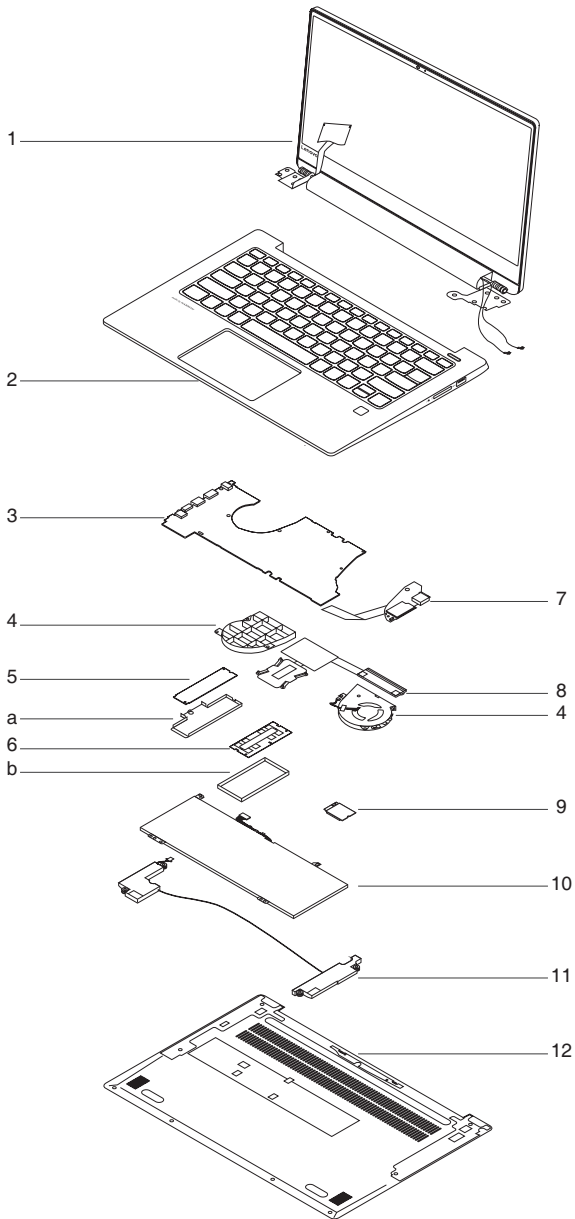


Table 4. Parts list—Overall
ideapad 530S-14IKB

No.	FRU	FRU no.	CRU ID.
a-c	See "Miscellaneous parts" on page 108.		
1	LCD unit (see "LCD FRUs" on page 104).		
2	UpperCase L 81EU OB W/KB FP BL US	5CB0R11944	N
2	UpperCase L 81EU OB W/KB FP BL GK	5CB0R12095	
2	Upper Case L81EUOBW/KBFPBLUSINT'E	5CB0R12070	
2	UpperCase L 81EU OB W/KB FP BL KO	5CB0R12102	
2	UpperCase L 81EU OB W/KB FP BL CH	5CB0R12116	
2	UpperCase L 81EU OB W/KB FP BL RU	5CB0R11527	
2	Upper Case L 81EU OB W/KBFPBLAR-E	5CB0R11748	
2	UpperCase L 81EU OB W/KB FP BL HB	5CB0R11839	
2	UpperCase L 81EU OB W/KB FP BL TI	5CB0R11806	
2	Upper Case L 81EU OBW/KBFPBLINDIA	5CB0R11896	
2	UpperCaseL 81EU OB W/KB FP BL UKR	5CB0R12113	
2	UpperCase L 81EU OB W/KB FP BL UK	5CB0R11608	
2	UpperCase L 81EU OB W/KB FP BL IT	5CB0R12057	
2	UpperCase L 81EU OB W/KB FP BL SP	5CB0R11633	
2	UpperCase L 81EU OB W/KB FP BL TR	5CB0R11835	
2	UpperCase L 81EU OB W/KB FP BL PO	5CB0R11919	
2	UpperCase L 81EU OB W/KB FP BL LA	5CB0R11666	
2	Upper Case L 81EU OB W/KBFPBLCF-E	5CB0R12021	
2	UpperCase L 81EU OB W/KB FP BL ND	5CB0R11696	
2	UpperCase L 81EU OB W/KB FP BL FR	5CB0R11548	
2	UpperCase L 81EU OB W/KB FP BL GR	5CB0R11734	
2	UpperCase L 81EU OB W/KB FP BL HG	5CB0R11954	
2	UpperCase L 81EU OB W/KB FP BL BE	5CB0R11754	
2	UpperCaseL 81EU OB W/KB FP BL ICE	5CB0R11984	
2	UpperCase L 81EU OB W/KB FP BL SA	5CB0R11959	
2	UpperCase L 81EU OB W/KB FP BL SW	5CB0R11707	
2	UpperCase L 81EU OB W/KB FP BL BU	5CB0R11976	
2	Upper Case L 81EU OBW/KBFPBL CZ-SK	5CB0R11856	
2	UpperCase L 81EU OB W/KB FP BL BZ	5CB0R11808	
2	Upper Case L 81EU OBW/KBFPBLFR-AR	5CB0R11939	
2	UpperCaseL 81EU OB W/KB FP BL USA	5CB0R11536	
2	UpperCaseL 81EU OB W/KB FP NBL US	5CB0R11645	
2	UpperCaseL 81EU OB W/KB FP NBL GK	5CB0R12137	
2	Upper CaseL81EUOBW/KBFPNBLUSINT'E	5CB0R11774	
2	UpperCaseL 81EU OB W/KB FP NBL KO	5CB0R11925	
2	UpperCaseL 81EU OB W/KB FP NBL CH	5CB0R11720	
2	UpperCaseL 81EU OB W/KB FP NBL RU	5CB0R12096	
2	Upper Case L 81EU OBW/KBFPNBLAR-E	5CB0R11661	
2	UpperCaseL 81EU OB W/KB FP NBL HB	5CB0R11613	
2	UpperCaseL 81EU OB W/KB FP NBL TI	5CB0R11999	
2	UpperCase L 81EU OBW/KBFPNBLINDIA	5CB0R12117	
2	Upper Case L 81EU OB W/KBFPNBLUKR	5CB0R11739	
2	UpperCaseL 81EU OB W/KB FP NBL UK	5CB0R11556	

Table 4. Parts list—Overall (continued)

No.	FRU	FRU no.	CRU ID.
2	UpperCaseL 81EU OB W/KB FP NBL IT	5CB0R12092	N
2	UpperCaseL 81EU OB W/KB FP NBL SP	5CB0R12080	
2	UpperCaseL 81EU OB W/KB FP NBL TR	5CB0R12028	
2	UpperCaseL 81EU OB W/KB FP NBL PO	5CB0R11598	
2	UpperCaseL 81EU OB W/KB FP NBL LA	5CB0R11643	
2	Upper Case L 81EU OBW/KBFPNBLCF-E	5CB0R11617	
2	UpperCaseL 81EU OB W/KB FP NBL ND	5CB0R11887	
2	UpperCaseL 81EU OB W/KB FP NBL FR	5CB0R11578	
2	UpperCaseL 81EU OB W/KB FP NBL GR	5CB0R11710	
2	UpperCaseL 81EU OB W/KB FP NBL HG	5CB0R11636	
2	UpperCaseL 81EU OB W/KB FP NBL BE	5CB0R11807	
2	Upper Case L 81EU OB W/KBFPNBLICE	5CB0R11783	
2	UpperCaseL 81EU OB W/KB FP NBL SA	5CB0R11780	
2	UpperCaseL 81EU OB W/KB FP NBL SW	5CB0R12062	
2	UpperCaseL 81EU OB W/KB FP NBL BU	5CB0R11552	
2	UpperCase L 81EU OBW/KBFPNBL CZ-SK	5CB0R11853	
2	UpperCaseL 81EU OB W/KB FP NBL BZ	5CB0R11755	
2	UpperCase L 81EU OBW/KBFPNBLFR-AR	5CB0R11921	
2	Upper Case L 81EU OB W/KBNFPBLUS	5CB0R11785	
2	Upper Case L 81EU OB W/KBNFPBLGK	5CB0R11848	
2	Upper CaseL81EUOBW/KBNFPBLUSINT'E	5CB0R12135	
2	Upper Case L 81EU OB W/KBNFPBLKO	5CB0R11810	
2	Upper Case L 81EU OB W/KBNFPBLCH	5CB0R11753	
2	Upper Case L 81EU OB W/KBNFPBLRU	5CB0R12132	
2	Upper Case L 81EU OBW/KBNFPBLAR-E	5CB0R11646	
2	Upper Case L 81EU OB W/KBNFPBLHB	5CB0R12001	
2	Upper Case L 81EU OB W/KBNFPBLTI	5CB0R11841	
2	Upper Case L 81EUOBW/KBNFPBLINDIA	5CB0R11653	
2	Upper Case L 81EU OBW/KBNFPBLUKR	5CB0R11534	
2	Upper Case L 81EU OB W/KBNFPBLUK	5CB0R11837	
2	Upper Case L 81EU OB W/KBNFPBLIT	5CB0R11948	
2	Upper Case L 81EU OB W/KBNFPBLSP	5CB0R12003	
2	Upper Case L 81EU OB W/KBNFPBLTR	5CB0R12115	
2	Upper Case L 81EU OB W/KBNFPBLPO	5CB0R12122	
2	Upper Case L 81EU OB W/KBNFPBLLA	5CB0R11736	
2	Upper Case L 81EU OBW/KBNFPBLCF-E	5CB0R11579	
2	Upper Case L 81EU OB W/KBNFPBLND	5CB0R11909	
2	Upper Case L 81EU OB W/KBNFPBLFR	5CB0R11836	
2	Upper Case L 81EU OB W/KBNFPBLGR	5CB0R11870	
2	Upper Case L 81EU OB W/KBNFPBLHG	5CB0R11951	
2	Upper Case L 81EU OB W/KBNFPBLB E	5CB0R11897	
2	Upper Case L 81EU OBW/KBNFPBLICE	5CB0R11639	
2	Upper Case L 81EU OB W/KBNFPBLSA	5CB0R11546	
2	Upper Case L 81EU OB W/KBNFPBLSW	5CB0R11542	
2	Upper Case L 81EU OB W/KBNFPBLB U	5CB0R11820	
2	Upper Case L 81EUOBW/KBNFPBL CZ-SK	5CB0R11644	

Table 4. Parts list—Overall (continued)

No.	FRU	FRU no.	CRU ID.
2	Upper Case L 81EU OB W/KBNFPBLB Z	5CB0R11891	N
2	Upper Case L 81EUOBW/KBNFPBLFR-AR	5CB0R11694	
2	Upper Case L 81EU OB W/KBNFPBLJA	5CB0R11609	
2	Upper Case L 81EU OBW/KBNFPBLUSA	5CB0R11974	
2	Upper Case L 81EU OBW/KBNFPNBLUS	5CB0R11723	
2	Upper Case L 81EU OBW/KBNFPNBLGK	5CB0R11782	
2	UpperCaseL81EUOBW/KBNFPNBLUSINT'E	5CB0R11749	
2	Upper Case L 81EU OBW/KBNFPNBLKO	5CB0R11767	
2	Upper Case L 81EU OBW/KBNFPNBLCH	5CB0R11652	
2	Upper Case L 81EU OBW/KBNFPNBLRU	5CB0R11722	
2	Upper Case L 81EUOBW/KBNFPNBLAR-E	5CB0R11962	
2	Upper Case L 81EU OBW/KBNFPNBLHB	5CB0R11650	
2	Upper Case L 81EU OBW/KBNFPNBLTI	5CB0R11821	
2	Upper Case L81EUOBW/KBNFPNBLINDIA	5CB0R11725	
2	Upper Case L 81EU OBW/KBNFPNBLUKR	5CB0R11532	
2	Upper Case L 81EU OBW/KBNFPNBLUK	5CB0R12156	
2	Upper Case L 81EU OBW/KBNFPNBLIT	5CB0R11872	
2	Upper Case L 81EU OBW/KBNFPNBLSP	5CB0R11861	
2	Upper Case L 81EU OBW/KBNFPNBLTR	5CB0R11879	
2	Upper Case L 81EU OBW/KBNFPNBLPO	5CB0R11812	
2	Upper Case L 81EU OBW/KBNFPNBLLA	5CB0R11573	
2	Upper Case L 81EUOBW/KBNFPNBLCF-E	5CB0R11559	
2	Upper Case L 81EU OBW/KBNFPNBLND	5CB0R11961	
2	Upper Case L 81EU OBW/KBNFPNBLFR	5CB0R12127	
2	Upper Case L 81EU OBW/KBNFPNBLGR	5CB0R11882	
2	Upper Case L 81EU OBW/KBNFPNBLHG	5CB0R12150	
2	Upper Case L 81EU OBW/KBNFPNBLBE	5CB0R12108	
2	Upper Case L 81EU OBW/KBNFPNBLICE	5CB0R11905	
2	Upper Case L 81EU OBW/KBNFPNBLSA	5CB0R12019	
2	Upper Case L 81EU OBW/KBNFPNBLSW	5CB0R11791	
2	Upper Case L 81EU OBW/KBNFPNBLBU	5CB0R11582	
2	Upper Case L81EUOBW/KBNFPNBLCZ-SK	5CB0R11938	
2	Upper Case L 81EU OBW/KBNFPNBLBZ	5CB0R12051	
2	Upper Case L81EUOBW/KBNFPNBLFR-AR	5CB0R11535	
2	Upper Case L 81EU OBW/KBNFPNBLJA	5CB0R11551	
2	UpperCase L 81EU LB W/KB FP BL US	5CB0R12049	
2	UpperCase L 81EU LB W/KB FP BL GK	5CB0R12041	
2	Upper Case L81EULBW/KBFPBLUSINT'E	5CB0R11907	
2	UpperCase L 81EU LB W/KB FP BL KO	5CB0R12039	
2	UpperCase L 81EU LB W/KB FP BL CH	5CB0R11691	
2	UpperCase L 81EU LB W/KB FP BL RU	5CB0R11629	
2	Upper Case L 81EU LB W/KBFPBLAR-E	5CB0R11583	
2	UpperCase L 81EU LB W/KB FP BL HB	5CB0R11555	
2	UpperCase L 81EU LB W/KB FP BL TI	5CB0R12159	
2	Upper Case L 81EU LBW/KBFPBLINDIA	5CB0R11596	
2	UpperCaseL 81EU LB W/KB FP BL UKR	5CB0R11529	

Table 4. Parts list—Overall (continued)

No.	FRU	FRU no.	CRU ID.
2	UpperCase L 81EU LB W/KB FP BL UK	5CB0R12053	N
2	UpperCase L 81EU LB W/KB FP BL IT	5CB0R12101	
2	UpperCase L 81EU LB W/KB FP BL SP	5CB0R12128	
2	UpperCase L 81EU LB W/KB FP BL TR	5CB0R11651	
2	UpperCase L 81EU LB W/KB FP BL PO	5CB0R12068	
2	UpperCase L 81EU LB W/KB FP BL LA	5CB0R11550	
2	Upper Case L 81EU LB W/KBFPBLCF-E	5CB0R11563	
2	UpperCase L 81EU LB W/KB FP BL ND	5CB0R12031	
2	UpperCase L 81EU LB W/KB FP BL FR	5CB0R12061	
2	UpperCase L 81EU LB W/KB FP BL GR	5CB0R12056	
2	UpperCase L 81EU LB W/KB FP BL HG	5CB0R11775	
2	UpperCase L 81EU LB W/KB FP BL BE	5CB0R11894	
2	UpperCaseL 81EU LB W/KB FP BL ICE	5CB0R11888	
2	UpperCase L 81EU LB W/KB FP BL SA	5CB0R11638	
2	UpperCase L 81EU LB W/KB FP BL SW	5CB0R11593	
2	UpperCase L 81EU LB W/KB FP BL BU	5CB0R11912	
2	Upper Case L 81EU LBW/KBFPBLCZ-SK	5CB0R11659	
2	UpperCase L 81EU LB W/KB FP BL BZ	5CB0R11708	
2	Upper Case L 81EU LBW/KBFPBLFR-AR	5CB0R12047	
2	UpperCaseL 81EU LB W/KB FP BL USA	5CB0R11752	
2	UpperCaseL 81EU LB W/KB FP NBL US	5CB0R11706	
2	UpperCaseL 81EU LB W/KB FP NBL GK	5CB0R11601	
2	Upper CaseL81EULBW/KBFPNBLUSINT'E	5CB0R11845	
2	UpperCaseL 81EU LB W/KB FP NBL KO	5CB0R12125	
2	UpperCaseL 81EU LB W/KB FP NBL CH	5CB0R11793	
2	UpperCaseL 81EU LB W/KB FP NBL RU	5CB0R11729	
2	Upper Case L 81EU LBW/KBFPNBLAR-E	5CB0R11924	
2	UpperCaseL 81EU LB W/KB FP NBL HB	5CB0R11625	
2	UpperCaseL 81EU LB W/KB FP NBL TI	5CB0R11735	
2	UpperCase L 81EU LBW/KBFPNBLINDIA	5CB0R12032	
2	Upper Case L 81EU LB W/KBFPNBLUKR	5CB0R12157	
2	UpperCaseL 81EU LB W/KB FP NBL UK	5CB0R11776	
2	UpperCaseL 81EU LB W/KB FP NBL IT	5CB0R11797	
2	UpperCaseL 81EU LB W/KB FP NBL SP	5CB0R11630	
2	UpperCaseL 81EU LB W/KB FP NBL TR	5CB0R11766	
2	UpperCaseL 81EU LB W/KB FP NBL PO	5CB0R11569	
2	UpperCaseL 81EU LB W/KB FP NBL LA	5CB0R12025	
2	Upper Case L 81EU LBW/KBFPNBLCF-E	5CB0R11981	
2	UpperCaseL 81EU LB W/KB FP NBL ND	5CB0R11743	
2	UpperCaseL 81EU LB W/KB FP NBL FR	5CB0R11565	
2	UpperCaseL 81EU LB W/KB FP NBL GR	5CB0R11935	
2	UpperCaseL 81EU LB W/KB FP NBL HG	5CB0R11913	
2	UpperCaseL 81EU LB W/KB FP NBL BE	5CB0R11616	
2	Upper Case L 81EU LB W/KBFPNBLICE	5CB0R11799	
2	UpperCaseL 81EU LB W/KB FP NBL SA	5CB0R12030	
2	UpperCaseL 81EU LB W/KB FP NBL SW	5CB0R11955	

Table 4. Parts list—Overall (continued)

No.	FRU	FRU no.	CRU ID.
2	UpperCaseL 81EU LB W/KB FP NBL BU	5CB0R11737	N
2	UpperCase L 81EU LBW/KBFPNBL CZ-SK	5CB0R11667	
2	UpperCaseL 81EU LB W/KB FP NBL BZ	5CB0R11717	
2	UpperCase L 81EU LBW/KBFPNBLFR-AR	5CB0R11865	
2	Upper Case L 81EU LB W/KBNFPBLUS	5CB0R12067	
2	Upper Case L 81EU LB W/KBNFPBLGK	5CB0R11842	
2	Upper CaseL81EULBW/KBNFPBLUSINT'E	5CB0R11824	
2	Upper Case L 81EU LB W/KBNFPBLKO	5CB0R12107	
2	Upper Case L 81EU LB W/KBNFPBLCH	5CB0R12064	
2	Upper Case L 81EU LB W/KBNFPBLRU	5CB0R11822	
2	Upper Case L 81EU LBW/KBNFPBLAR-E	5CB0R11910	
2	Upper Case L 81EU LB W/KBNFPBLHB	5CB0R11610	
2	Upper Case L 81EU LB W/KBNFPBLTI	5CB0R11731	
2	Upper Case L 81EULBW/KBNFPBLINDIA	5CB0R11901	
2	Upper Case L 81EU LBW/KBNFPBLUKR	5CB0R12048	
2	Upper Case L 81EU LB W/KBNFPBLUK	5CB0R11606	
2	Upper Case L 81EU LB W/KBNFPBLIT	5CB0R11768	
2	Upper Case L 81EU LB W/KBNFPBLS P	5CB0R11680	
2	Upper Case L 81EU LB W/KBNFPBLTR	5CB0R11628	
2	Upper Case L 81EU LB W/KBNFPBLPO	5CB0R12160	
2	Upper Case L 81EU LB W/KBNFPBLLA	5CB0R12074	
2	Upper Case L 81EU LBW/KBNFPBLCF-E	5CB0R11669	
2	Upper Case L 81EU LB W/KBNFPBLND	5CB0R11992	
2	Upper Case L 81EU LB W/KBNFPBLFR	5CB0R12054	
2	Upper Case L 81EU LB W/KBNFPBLGR	5CB0R11670	
2	Upper Case L 81EU LB W/KBNFPBLHG	5CB0R11765	
2	Upper Case L 81EU LB W/KBNFPBLB E	5CB0R11869	
2	Upper Case L 81EU LBW/KBNFPBLICE	5CB0R12103	
2	Upper Case L 81EU LB W/KBNFPBLSA	5CB0R11549	
2	Upper Case L 81EU LB W/KBNFPBLSW	5CB0R12007	
2	Upper Case L 81EU LB W/KBNFPBLB U	5CB0R11971	
2	Upper Case L 81EULBW/KBNFPBL CZ-SK	5CB0R11816	
2	Upper Case L 81EU LB W/KBNFPBLB Z	5CB0R11903	
2	Upper Case L 81EULBW/KBNFPBLFR-AR	5CB0R11541	
2	Upper Case L 81EU LB W/KBNFPBLJA	5CB0R11713	
2	Upper Case L 81EU LBW/KBNFPBLUSA	5CB0R11815	
2	Upper Case L 81EU LBW/KBNFPNBLUS	5CB0R11779	
2	Upper Case L 81EU LBW/KBNFPNBLGK	5CB0R11632	
2	UpperCaseL81EULBW/KBNFPNBLUSINT'E	5CB0R11626	
2	Upper Case L 81EU LBW/KBNFPNBLKO	5CB0R12063	
2	Upper Case L 81EU LBW/KBNFPNBLCH	5CB0R12104	
2	Upper Case L 81EU LBW/KBNFPNBLRU	5CB0R11772	
2	Upper Case L 81EULBW/KBNFPNBLAR-E	5CB0R12010	
2	Upper Case L 81EU LBW/KBNFPNBLHB	5CB0R11726	
2	Upper Case L 81EU LBW/KBNFPNBLTI	5CB0R11684	
2	Upper Case L81EULBW/KBNFPNBLINDIA	5CB0R12129	

Table 4. Parts list—Overall (continued)

No.	FRU	FRU no.	CRU ID.
2	Upper Case L 81EU LBW/KBNFPNBLUKR	5CB0R11654	N
2	Upper Case L 81EU LBW/KBNFPNBLUK	5CB0R11849	
2	Upper Case L 81EU LBW/KBNFPNBLIT	5CB0R11594	
2	Upper Case L 81EU LBW/KBNFPNBLSP	5CB0R12143	
2	Upper Case L 81EU LBW/KBNFPNBLTR	5CB0R12059	
2	Upper Case L 81EU LBW/KBNFPNBLPO	5CB0R11804	
2	Upper Case L 81EU LBW/KBNFPNBLLA	5CB0R12130	
2	Upper Case L 81EULBW/KBNFPNBLCF-E	5CB0R12144	
2	Upper Case L 81EU LBW/KBNFPNBLND	5CB0R11709	
2	Upper Case L 81EU LBW/KBNFPNBLFR	5CB0R11681	
2	Upper Case L 81EU LBW/KBNFPNBLGR	5CB0R12008	
2	Upper Case L 81EU LBW/KBNFPNBLHG	5CB0R11531	
2	Upper Case L 81EU LBW/KBNFPNBLBE	5CB0R12126	
2	Upper Case L 81EU LBW/KBNFPNBLICE	5CB0R11960	
2	Upper Case L 81EU LBW/KBNFPNBLSA	5CB0R11800	
2	Upper Case L 81EU LBW/KBNFPNBLSW	5CB0R12077	
2	Upper Case L 81EU LBW/KBNFPNBLBU	5CB0R11963	
2	Upper Case L81EULBW/KBNFPNBLCZ-SK	5CB0R12118	
2	Upper Case L 81EU LBW/KBNFPNBLBZ	5CB0R12087	
2	Upper Case L81EULBW/KBNFPNBLFR-AR	5CB0R11884	
2	Upper Case L 81EU LBW/KBNFPNBLJA	5CB0R11698	
2	UpperCaseL 81EU COP W/KB FP BL US	5CB0R12153	
2	UpperCaseL 81EU COP W/KB FP BL GK	5CB0R12139	
2	Upper CaseL81EUCOPW/KBFPBUSINT'E	5CB0R11574	
2	UpperCaseL 81EU COP W/KB FP BL KO	5CB0R12004	
2	UpperCaseL 81EU COP W/KB FP BL CH	5CB0R12097	
2	UpperCaseL 81EU COP W/KB FP BL RU	5CB0R11622	
2	Upper Case L 81EU COPW/KBFPBLAR-E	5CB0R11603	
2	UpperCaseL 81EU COP W/KB FP BL HB	5CB0R11892	
2	UpperCaseL 81EU COP W/KB FP BL TI	5CB0R12040	
2	UpperCase L 81EU COPW/KBFPBLINDIA	5CB0R12037	
2	Upper Case L 81EU COP W/KBFPBLUKR	5CB0R11857	
2	UpperCaseL 81EU COP W/KB FP BL UK	5CB0R11604	
2	UpperCaseL 81EU COP W/KB FP BL IT	5CB0R11898	
2	UpperCaseL 81EU COP W/KB FP BL SP	5CB0R11852	
2	UpperCaseL 81EU COP W/KB FP BL TR	5CB0R11860	
2	UpperCaseL 81EU COP W/KB FP BL PO	5CB0R11927	
2	UpperCaseL 81EU COP W/KB FP BL LA	5CB0R11873	
2	Upper Case L 81EU COPW/KBFPBLCF-E	5CB0R11876	
2	UpperCaseL 81EU COP W/KB FP BL ND	5CB0R12012	
2	UpperCaseL 81EU COP W/KB FP BL FR	5CB0R12105	
2	UpperCaseL 81EU COP W/KB FP BL GR	5CB0R11788	
2	UpperCaseL 81EU COP W/KB FP BL HG	5CB0R11740	
2	UpperCaseL 81EU COP W/KB FP BL BE	5CB0R11756	
2	Upper Case L 81EU COP W/KBFPBLICE	5CB0R11690	
2	UpperCaseL 81EU COP W/KB FP BL SA	5CB0R11674	

Table 4. Parts list—Overall (continued)

No.	FRU	FRU no.	CRU ID.
2	UpperCaseL 81EU COP W/KB FP BL SW	5CB0R11833	N
2	UpperCaseL 81EU COP W/KB FP BL BU	5CB0R12146	
2	UpperCase L 81EU COPW/KBFPBLCZ-SK	5CB0R11773	
2	UpperCaseL 81EU COP W/KB FP BL BZ	5CB0R11558	
2	UpperCase L 81EU COPW/KBFPBLFR-AR	5CB0R11718	
2	Upper Case L 81EU COP W/KBFPBLUSA	5CB0R11587	
2	Upper Case L 81EU COP W/KBFPNBLUS	5CB0R11979	
2	Upper Case L 81EU COP W/KBFPNBLGK	5CB0R11746	
2	UpperCaseL81EUCOPW/KBFPNBLUSINT'E	5CB0R11544	
2	Upper Case L 81EU COP W/KBFPNBLKO	5CB0R11995	
2	Upper Case L 81EU COP W/KBFPNBLCH	5CB0R11571	
2	Upper Case L 81EU COP W/KBFPNBLRU	5CB0R12098	
2	UpperCase L 81EU COPW/KBFPNBLAR-E	5CB0R11790	
2	Upper Case L 81EU COP W/KBFPNBLHB	5CB0R12149	
2	Upper Case L 81EU COP W/KBFPNBLTI	5CB0R11795	
2	UpperCase L 81EUCOPW/KBFPNBLINDIA	5CB0R12138	
2	Upper Case L 81EU COPW/KBFPNBLUKR	5CB0R12154	
2	Upper Case L 81EU COP W/KBFPNBLUK	5CB0R12086	
2	Upper Case L 81EU COP W/KBFPNBLIT	5CB0R12109	
2	Upper Case L 81EU COP W/KBFPNBLSP	5CB0R11831	
2	Upper Case L 81EU COP W/KBFPNBLTR	5CB0R11968	
2	Upper Case L 81EU COP W/KBFPNBLPO	5CB0R11787	
2	Upper Case L 81EU COP W/KBFPNBLLA	5CB0R11965	
2	UpperCase L 81EU COPW/KBFPNBLCF-E	5CB0R11834	
2	Upper Case L 81EU COP W/KBFPNBLND	5CB0R11950	
2	Upper Case L 81EU COP W/KBFPNBLFR	5CB0R11966	
2	Upper Case L 81EU COP W/KBFPNBLGR	5CB0R12106	
2	Upper Case L 81EU COP W/KBFPNBLHG	5CB0R11817	
2	UpperCase L 81EU COP W/KBFPNBLB E	5CB0R11700	
2	Upper Case L 81EU COPW/KBFPNBLICE	5CB0R11993	
2	Upper Case L 81EU COP W/KBFPNBLSA	5CB0R11728	
2	Upper Case L 81EU COP W/KBFPNBLSW	5CB0R11660	
2	UpperCase L 81EU COP W/KBFPNBLB U	5CB0R12024	
2	UpperCase L 81EUCOPW/KBFPNBLCZ-SK	5CB0R11685	
2	UpperCase L 81EU COP W/KBFPNBLB Z	5CB0R11762	
2	UpperCase L 81EUCOPW/KBFPNBLFR-AR	5CB0R11530	
2	Upper Case L 81EU COPW/KBNFPBLUS	5CB0R11980	
2	Upper Case L 81EU COPW/KBNFPBLGK	5CB0R12013	
2	UpperCaseL81EUCOPW/KBNFPBLUSINT'E	5CB0R11673	
2	Upper Case L 81EU COPW/KBNFPBLKO	5CB0R11801	
2	Upper Case L 81EU COPW/KBNFPBLCH	5CB0R11682	
2	Upper Case L 81EU COPW/KBNFPBLRU	5CB0R12110	
2	Upper Case L 81EUCOPW/KBNFPBLAR-E	5CB0R12022	
2	Upper Case L 81EU COPW/KBNFPBLHB	5CB0R12043	
2	Upper Case L 81EU COPW/KBNFPBLTI	5CB0R11545	
2	Upper Case L81EUCOPW/KBNFPBLINDIA	5CB0R11916	

Table 4. Parts list—Overall (continued)

No.	FRU	FRU no.	CRU ID.
2	Upper Case L 81EU COPW/KBNFPBLUKR	5CB0R11798	N
2	Upper Case L 81EU COPW/KBNFPBLUK	5CB0R11715	
2	Upper Case L 81EU COPW/KBNFPBLIT	5CB0R11575	
2	Upper Case L 81EU COPW/KBNFPBLSP	5CB0R11770	
2	Upper Case L 81EU COPW/KBNFPBLTR	5CB0R11570	
2	Upper Case L 81EU COPW/KBNFPBLPO	5CB0R12121	
2	Upper Case L 81EU COPW/KBNFPBLLA	5CB0R11744	
2	Upper Case L 81EUCOPW/KBNFPBLCF-E	5CB0R11914	
2	Upper Case L 81EU COPW/KBNFPBLND	5CB0R12027	
2	Upper Case L 81EU COPW/KBNFPBLFR	5CB0R11859	
2	Upper Case L 81EU COPW/KBNFPBLGR	5CB0R12112	
2	Upper Case L 81EU COPW/KBNFPBLHG	5CB0R11763	
2	Upper Case L 81EU COPW/KBNFPBLBE	5CB0R11627	
2	Upper Case L 81EU COPW/KBNFPBLICE	5CB0R11789	
2	Upper Case L 81EU COPW/KBNFPBLSA	5CB0R11620	
2	Upper Case L 81EU COPW/KBNFPBLSW	5CB0R11792	
2	Upper Case L 81EU COPW/KBNFPBLBU	5CB0R12046	
2	Upper Case L81EUCOPW/KBNFPBLCZ-SK	5CB0R11656	
2	Upper Case L 81EU COPW/KBNFPBLBZ	5CB0R11533	
2	Upper Case L81EUCOPW/KBNFPBLFR-AR	5CB0R11828	
2	Upper Case L 81EU COPW/KBNFPBLJA	5CB0R11952	
2	Upper Case L 81EU COPW/KBNFPBLUSA	5CB0R12085	
2	Upper Case L 81EU COPW/KBNFPNBLUS	5CB0R11611	
2	Upper Case L 81EU COPW/KBNFPNBLGK	5CB0R12058	
2	Upper Case L81EUCOPW/KBNFPNBLUSINT'E	5CB0R11802	
2	Upper Case L 81EU COPW/KBNFPNBLKO	5CB0R11826	
2	Upper Case L 81EU COPW/KBNFPNBLCH	5CB0R11886	
2	Upper Case L 81EU COPW/KBNFPNBLRU	5CB0R11930	
2	Upper Case L81EUCOPW/KBNFPNBLAR-E	5CB0R11553	
2	Upper Case L 81EU COPW/KBNFPNBLHB	5CB0R11747	
2	Upper Case L 81EU COPW/KBNFPNBLTI	5CB0R11940	
2	Upper Case L81EUCOPW/KBNFPNBLINDIA	5CB0R12011	
2	Upper Case L 81EUCOPW/KBNFPNBLUKR	5CB0R11716	
2	Upper Case L 81EU COPW/KBNFPNBLUK	5CB0R11809	
2	Upper Case L 81EU COPW/KBNFPNBLIT	5CB0R12035	
2	Upper Case L 81EU COPW/KBNFPNBLSP	5CB0R11877	
2	Upper Case L 81EU COPW/KBNFPNBLTR	5CB0R11777	
2	Upper Case L 81EU COPW/KBNFPNBLPO	5CB0R11721	
2	Upper Case L 81EU COPW/KBNFPNBLLA	5CB0R11917	
2	Upper Case L81EUCOPW/KBNFPNBLCF-E	5CB0R11702	
2	Upper Case L 81EU COPW/KBNFPNBLND	5CB0R12042	
2	Upper Case L 81EU COPW/KBNFPNBLFR	5CB0R11595	
2	Upper Case L 81EU COPW/KBNFPNBLGR	5CB0R11679	
2	Upper Case L 81EU COPW/KBNFPNBLHG	5CB0R11695	
2	Upper Case L 81EU COPW/KBNFPNBLBE	5CB0R11732	
2	Upper Case L 81EUCOPW/KBNFPNBLICE	5CB0R11991	

Table 4. Parts list—Overall (continued)

No.	FRU	FRU no.	CRU ID.
2	Upper Case L 81EU COPW/KBNFPNBLSA	5CB0R11759	N
2	Upper Case L 81EU COPW/KBNFPNBLSW	5CB0R11986	
2	Upper Case L 81EU COPW/KBNFPNBLBU	5CB0R11599	
2	Upper Case L 81EU COPW/KBNFPNBL CZ-SK	5CB0R11697	
2	Upper Case L 81EU COPW/KBNFPNBLBZ	5CB0R11769	
2	Upper Case L 81EU COPW/KBNFPNBLFR-AR	5CB0R11676	
2	Upper Case L 81EU COPW/KBNFPNBLJA	5CB0R11592	
2	Upper Case L 81EU MGR W/KB FP BL US	5CB0R12140	
2	Upper Case L 81EU MGR W/KB FP BL GK	5CB0R11786	
2	Upper Case L 81EU MGR W/KB FP BL INT'E	5CB0R11978	
2	Upper Case L 81EU MGR W/KB FP BL KO	5CB0R11547	
2	Upper Case L 81EU MGR W/KB FP BL CH	5CB0R11942	
2	Upper Case L 81EU MGR W/KB FP BL RU	5CB0R11854	
2	Upper Case L 81EU MGR W/KBFPBLAR-E	5CB0R11727	
2	Upper Case L 81EU MGR W/KB FP BL HB	5CB0R11805	
2	Upper Case L 81EU MGR W/KB FP BL TI	5CB0R11771	
2	Upper Case L 81EU MGR W/KBFPBLINDIA	5CB0R11900	
2	Upper Case L 81EU MGR W/KBFPBLUKR	5CB0R11528	
2	Upper Case L 81EU MGR W/KB FP BL UK	5CB0R12073	
2	Upper Case L 81EU MGR W/KB FP BL IT	5CB0R11893	
2	Upper Case L 81EU MGR W/KB FP BL SP	5CB0R11689	
2	Upper Case L 81EU MGR W/KB FP BL TR	5CB0R11922	
2	Upper Case L 81EU MGR W/KB FP BL PO	5CB0R11838	
2	Upper Case L 81EU MGR W/KB FP BL LA	5CB0R11655	
2	Upper Case L 81EU MGR W/KBFPBLCF-E	5CB0R11658	
2	Upper Case L 81EU MGR W/KB FP BL ND	5CB0R11778	
2	Upper Case L 81EU MGR W/KB FP BL FR	5CB0R12123	
2	Upper Case L 81EU MGR W/KB FP BL GR	5CB0R12055	
2	Upper Case L 81EU MGR W/KB FP BL HG	5CB0R11819	
2	Upper Case L 81EU MGR W/KB FP BL BE	5CB0R11949	
2	Upper Case L 81EU MGR W/KBFPBLICE	5CB0R11936	
2	Upper Case L 81EU MGR W/KB FP BL SA	5CB0R12071	
2	Upper Case L 81EU MGR W/KB FP BL SW	5CB0R12090	
2	Upper Case L 81EU MGR W/KB FP BL BU	5CB0R11956	
2	Upper Case L 81EU MGR W/KBFPBL CZ-SK	5CB0R12009	
2	Upper Case L 81EU MGR W/KB FP BL BZ	5CB0R12158	
2	Upper Case L 81EU MGR W/KBFPBLFR-AR	5CB0R11760	
2	Upper Case L 81EU MGR W/KBFPBLUSA	5CB0R11863	
2	Upper Case L 81EU MGR W/KBFPNBLUS	5CB0R11623	
2	Upper Case L 81EU MGR W/KBFPNBLGK	5CB0R11761	
2	Upper Case L 81EU MGR W/KBFPNBLUSINT'E	5CB0R11692	
2	Upper Case L 81EU MGR W/KBFPNBLKO	5CB0R11751	
2	Upper Case L 81EU MGR W/KBFPNBLCH	5CB0R11614	
2	Upper Case L 81EU MGR W/KBFPNBLRU	5CB0R12151	
2	Upper Case L 81EU MGR W/KBFPNBLAR-E	5CB0R12023	
2	Upper Case L 81EU MGR W/KBFPNBLHB	5CB0R12006	

Table 4. Parts list—Overall (continued)

No.	FRU	FRU no.	CRU ID.
2	Upper Case L 81EU MGRW/KBFPNBLTI	5CB0R11657	N
2	UpperCase L 81EUMGRW/KBFPNBLINDIA	5CB0R12052	
2	Upper Case L 81EU MGRW/KBFPNBLUKR	5CB0R11757	
2	Upper Case L 81EU MGRW/KBFPNBLUK	5CB0R11918	
2	Upper Case L 81EU MGRW/KBFPNBLIT	5CB0R11957	
2	Upper Case L 81EU MGRW/KBFPNBLSP	5CB0R11855	
2	Upper Case L 81EU MGRW/KBFPNBLTR	5CB0R11591	
2	Upper Case L 81EU MGRW/KBFPNBLPO	5CB0R12133	
2	Upper Case L 81EU MGRW/KBFPNBLLA	5CB0R11562	
2	UpperCase L 81EU MGRW/KBFPNBLCF-E	5CB0R12017	
2	Upper Case L 81EU MGRW/KBFPNBLND	5CB0R11871	
2	Upper Case L 81EU MGRW/KBFPNBLFR	5CB0R11885	
2	Upper Case L 81EU MGRW/KBFPNBLGR	5CB0R11567	
2	Upper Case L 81EU MGRW/KBFPNBLHG	5CB0R12033	
2	Upper Case L 81EU MGRW/KBFPNBLB E	5CB0R12038	
2	Upper Case L 81EU MGRW/KBFPNBLICE	5CB0R11602	
2	Upper Case L 81EU MGRW/KBFPNBLSA	5CB0R12034	
2	Upper Case L 81EU MGRW/KBFPNBLSW	5CB0R11560	
2	Upper Case L 81EU MGRW/KBFPNBLB U	5CB0R11634	
2	UpperCase L 81EUMGRW/KBFPNBLCZ-SK	5CB0R12082	
2	Upper Case L 81EU MGRW/KBFPNBLB Z	5CB0R11572	
2	UpperCase L 81EUMGRW/KBFPNBLFR-AR	5CB0R11911	
2	Upper Case L 81EU MGRW/KBNFPBLUS	5CB0R11580	
2	Upper Case L 81EU MGRW/KBNFPBLGK	5CB0R11929	
2	UpperCaseL81EUMGRW/KBNFPBLUSINTE	5CB0R11750	
2	Upper Case L 81EU MGRW/KBNFPBLKO	5CB0R11647	
2	Upper Case L 81EU MGRW/KBNFPBLCH	5CB0R11683	
2	Upper Case L 81EU MGRW/KBNFPBLRU	5CB0R12114	
2	Upper Case L 81EUMGRW/KBNFPBLAR-E	5CB0R11970	
2	Upper Case L 81EU MGRW/KBNFPBLHB	5CB0R12014	
2	Upper Case L 81EU MGRW/KBNFPBLTI	5CB0R11588	
2	Upper Case L81EUMGRW/KBNFPBLINDIA	5CB0R11982	
2	Upper Case L 81EU MGRW/KBNFPBLUKR	5CB0R11714	
2	Upper Case L 81EU MGRW/KBNFPBLUK	5CB0R12142	
2	Upper Case L 81EU MGRW/KBNFPBLIT	5CB0R12020	
2	Upper Case L 81EU MGRW/KBNFPBLSP	5CB0R11827	
2	Upper Case L 81EU MGRW/KBNFPBLTR	5CB0R12091	
2	Upper Case L 81EU MGRW/KBNFPBLPO	5CB0R11564	
2	Upper Case L 81EU MGRW/KBNFPBLLA	5CB0R11972	
2	Upper Case L 81EUMGRW/KBNFPBLCF-E	5CB0R12141	
2	Upper Case L 81EU MGRW/KBNFPBLND	5CB0R12078	
2	Upper Case L 81EU MGRW/KBNFPBLFR	5CB0R11941	
2	Upper Case L 81EU MGRW/KBNFPBLGR	5CB0R12111	
2	Upper Case L 81EU MGRW/KBNFPBLHG	5CB0R11624	
2	Upper Case L 81EU MGRW/KBNFPBLBE	5CB0R11964	
2	Upper Case L 81EU MGRW/KBNFPBLICE	5CB0R12081	

Table 4. Parts list—Overall (continued)

No.	FRU	FRU no.	CRU ID.
2	Upper Case L 81EU MGRW/KBNFPBLSA	5CB0R11724	N
2	Upper Case L 81EU MGRW/KBNFPBLSW	5CB0R11589	
2	Upper Case L 81EU MGRW/KBNFPBLBU	5CB0R11612	
2	Upper Case L81EUMGRW/KBNFPBLCZ-SK	5CB0R11874	
2	Upper Case L 81EU MGRW/KBNFPBLBZ	5CB0R12084	
2	Upper Case L81EUMGRW/KBNFPBLFR-AR	5CB0R11607	
2	Upper Case L 81EU MGRW/KBNFPBLJA	5CB0R11688	
2	Upper Case L 81EU MGRW/KBNFPBLUSA	5CB0R11662	
2	Upper Case L 81EU MGRW/KBNFPNBLUS	5CB0R11858	
2	Upper Case L 81EU MGRW/KBNFPNBLGK	5CB0R11989	
2	UpperCaseL81EUMGRW/KBNFPNBLUSINT'E	5CB0R11813	
2	Upper Case L 81EU MGRW/KBNFPNBLKO	5CB0R11642	
2	Upper Case L 81EU MGRW/KBNFPNBLCH	5CB0R11840	
2	Upper Case L 81EU MGRW/KBNFPNBLRU	5CB0R12044	
2	Upper Case L81EUMGRW/KBNFPNBLAR-E	5CB0R12066	
2	Upper Case L 81EU MGRW/KBNFPNBLHB	5CB0R11584	
2	Upper Case L 81EU MGRW/KBNFPNBLTI	5CB0R11568	
2	Upper CaseL81EUMGRW/KBNFPNBLINDIA	5CB0R11703	
2	Upper Case L 81EUMGRW/KBNFPNBLUKR	5CB0R12119	
2	Upper Case L 81EU MGRW/KBNFPNBLUK	5CB0R11983	
2	Upper Case L 81EU MGRW/KBNFPNBLIT	5CB0R11618	
2	Upper Case L 81EU MGRW/KBNFPNBLSP	5CB0R11851	
2	Upper Case L 81EU MGRW/KBNFPNBLTR	5CB0R11678	
2	Upper Case L 81EU MGRW/KBNFPNBLPO	5CB0R12079	
2	Upper Case L 81EU MGRW/KBNFPNBLLA	5CB0R11600	
2	Upper Case L81EUMGRW/KBNFPNBLCF-E	5CB0R12148	
2	Upper Case L 81EU MGRW/KBNFPNBLND	5CB0R11811	
2	Upper Case L 81EU MGRW/KBNFPNBLFR	5CB0R11637	
2	Upper Case L 81EU MGRW/KBNFPNBLGR	5CB0R12050	
2	Upper Case L 81EU MGRW/KBNFPNBLHG	5CB0R12000	
2	Upper Case L 81EU MGRW/KBNFPNBLBE	5CB0R11784	
2	Upper Case L 81EUMGRW/KBNFPNBLICE	5CB0R11975	
2	Upper Case L 81EU MGRW/KBNFPNBLSA	5CB0R11830	
2	Upper Case L 81EU MGRW/KBNFPNBLSW	5CB0R11829	
2	Upper Case L 81EU MGRW/KBNFPNBLBU	5CB0R11946	
2	Upper CaseL81EUMGRW/KBNFPNBLCZ-SK	5CB0R11687	
2	Upper Case L 81EU MGRW/KBNFPNBLBZ	5CB0R11635	
2	Upper CaseL81EUMGRW/KBNFPNBLFR-AR	5CB0R11677	
2	Upper Case L 81EU MGRW/KBNFPNBLJA	5CB0R11648	
3	MB L 81EUNOKI78550UMX150NFPFHD	5B20R11994	
3	MB L 81EUWINI78550UMX150NFPFHD	5B20R11742	
3	MB L 81EU NOKI78550UMX130FPFHD	5B20R11883	
3	MB L 81EU WINI78550UMX130FPFHD	5B20R12099	
3	MB L 81EU NOK I58250U UMAFPFHD	5B20R11844	
3	MB L 81EU WIN I58250U UMAFPFHD	5B20R11832	
3	MB L 81EU NOK I78550U UMAFPFHD	5B20R11693	

Table 4. Parts list—Overall (continued)

No.	FRU	FRU no.	CRU ID.
3	MB L 81EU WIN I78550U UMAFPFHD	5B20R11586	N
3	MB L 81EU NOKI58250UMX130FPFHD	5B20R11899	
3	MB L 81EU WINI58250UMX130FPFHD	5B20R12018	
3	MB L 81EU NOK I57200UUMANFPFHD	5B20R11585	
3	MB L 81EU WINKI57200UUMANFPFHD	5B20R11945	
3	MB L 81EUNOKI57200UMX130NFPFHD	5B20R11561	
3	MB L 81EUWINI57200UMX130NFPFHD	5B20R11631	
3	MB L 81EU NOK I58250UUMANFPFHD	5B20R11846	
3	MB L 81EU WINKI58250UUMANFPFHD	5B20R11538	
3	MB L 81EU NOKI58250UMX150FPFHD	5B20R12036	
3	MB L 81EU WINI58250UMX150FPFHD	5B20R11985	
3	MB L 81EU NOKI78550UMX150FPFHD	5B20R12083	
3	MB L 81EU WINI78550UMX150FPFHD	5B20R11664	
3	MB L 81EU NOK I78550UUMANFPFHD	5B20R11825	
3	MB L 81EU WINKI78550UUMANFPFHD	5B20R11818	
3	MB L 81EU NOK I57200U UMAFPFHD	5B20R11902	
3	MB L 81EU WIN I57200U UMAFPFHD	5B20R11758	
3	MB L 81EUNOKI58250UMX130NFPFHD	5B20R11915	
3	MB L 81EUWINI58250UMX130NFPFHD	5B20R11738	
3	MB L 81EUNOKI57200UMX150NFPFHD	5B20R12124	
3	MB L 81EUWINI57200UMX150NFPFHD	5B20R12147	
3	MB L 81EU NOKI57200UMX130FPFHD	5B20R11926	
3	MB L 81EU WINI57200UMX130FPFHD	5B20R11862	
3	MB L 81EUNOKI58250UMX150NFPFHD	5B20R12100	
3	MB L 81EUWINI58250UMX150NFPFHD	5B20R11730	
3	MB L 81EU NOKI57200UMX150FPFHD	5B20R11967	
3	MB L 81EU WINI57200UMX150FPFHD	5B20R12065	
3	MB L 81EUNOKI78550UMX130NFPFHD	5B20R12136	
3	MB L 81EUWINI78550UMX130NFPFHD	5B20R12060	
3	MB L 81EU NOK I38130U UMAFPFHD	5B20R11621	
3	MB L 81EU WIN I38130U UMAFPFHD	5B20R11557	
3	MB L 81EUNOKI38130UMX130NFPFHD	5B20R11619	
3	MB L 81EUWINI38130UMX130NFPFHD	5B20R11615	
3	MB L 81EU NOKI38130UMX130FPFHD	5B20R11733	
3	MB L 81EU WINI38130UMX130FPFHD	5B20R12026	
3	MB L 81EU NOK I38130UUMANFPFHD	5B20R11823	
3	MB L 81EUWINK I38130UUMANFPFHD	5B20R11923	
3	MB L 81EUNOKI38130UMX150NFPFHD	5B20R11937	
3	MB L 81EUWINI38130UMX150NFPFHD	5B20R11973	
3	MB L 81EU NOKI38130UMX150FPFHD	5B20R11904	
3	MB L 81EU WINI38130UMX150FPFHD	5B20R12145	
3	MB L81EUNOKI58250UMX150NFPWQHD	5B20R11781	
3	MB L81EUWINI58250UMX150NFPWQHD	5B20R11997	
3	MB L81EUNOKI57200UMX130NFPWQHD	5B20R11699	
3	MB L81EUWINI57200UMX130NFPWQHD	5B20R11704	
3	MB L 81EU NOK I57200UUMAFPWQHD	5B20R12155	

Table 4. Parts list—Overall (continued)

No.	FRU	FRU no.	CRU ID.
3	MB L 81EU WINKI57200UUMAFPWQHD	5B20R11943	N
3	MB L81EUNOKI78550UMX150NFPWQHD	5B20R11540	
3	MB L81EUWINI78550UMX150NFPWQHD	5B20R11668	
3	MB L 81EUNOKI57200UMX150FPWQHD	5B20R11864	
3	MB L 81EUWINI57200UMX150FPWQHD	5B20R11996	
3	MB L 81EUNOKI58250UMX150FPWQHD	5B20R11701	
3	MB L 81EUWINI58250UMX150FPWQHD	5B20R11881	
3	MB L 81EUNOKI57200UMX130FPWQHD	5B20R11814	
3	MB L 81EUWINI57200UMX130FPWQHD	5B20R11711	
3	MB L 81EU NOK I78550UUMAFPWQHD	5B20R11566	
3	MB L 81EU WINKI78550UUMAFPWQHD	5B20R12088	
3	MB L 81EU NOKI58250UUMANFPWQHD	5B20R11581	
3	MB L 81EU WINI58250UUMANFPWQHD	5B20R12015	
3	MB L 81EUNOKI78550UMX130FPWQHD	5B20R11933	
3	MB L 81EUWINI78550UMX130FPWQHD	5B20R12072	
3	MB L 81EUNOKI78550UMX150FPWQHD	5B20R11649	
3	MB L 81EUWINI78550UMX150FPWQHD	5B20R11764	
3	MB L 81EUNOKI58250UMX130FPWQHD	5B20R11920	
3	MB L 81EUWINI58250UMX130FPWQHD	5B20R11843	
3	MB L81EUNOKI78550UMX130NFPWQHD	5B20R11931	
3	MB L81EUWINI78550UMX130NFPWQHD	5B20R11554	
3	MB L 81EU NOKI78550UUMANFPWQHD	5B20R11866	
3	MB L 81EU WINI78550UUMANFPWQHD	5B20R11890	
3	MB L81EUNOKI58250UMX130NFPWQHD	5B20R11671	
3	MB L81EUWINI58250UMX130NFPWQHD	5B20R11686	
3	MB L81EUNOKI57200UMX150NFPWQHD	5B20R12161	
3	MB L81EUWINI57200UMX150NFPWQHD	5B20R11675	
3	MB L 81EU NOK I58250UUMAFPWQHD	5B20R11719	
3	MB L 81EU WINKI58250UUMAFPWQHD	5B20R12045	
3	MB L 81EU NOKI57200UUMANFPWQHD	5B20R11576	
3	MB L 81EU WINI57200UUMANFPWQHD	5B20R11745	
3	MB L81EUNOKI38130UMX150NFPWQHD	5B20R11850	
3	MB L81EUWINI38130UMX150NFPWQHD	5B20R11712	
3	MB L 81EUNOKI38130UMX150FPWQHD	5B20R11990	
3	MB L 81EUWINI38130UMX150FPWQHD	5B20R11998	
3	MB L 81EU NOK I38130UUMAFPWQHD	5B20R12152	
3	MB L 81EUWINK I38130UUMAFPWQHD	5B20R11958	
3	MB L 81EUNOKI38130UMX130FPWQHD	5B20R12002	
3	MB L 81EUWINI38130UMX130FPWQHD	5B20R11906	
3	MB L81EUNOKI38130UMX130NFPWQHD	5B20R11934	
3	MB L81EUWINI38130UMX130NFPWQHD	5B20R11953	
3	MB L 81EU NOKI38130UUMANFPWQHD	5B20R11988	
3	MB L 81EU WINI38130UUMANFPWQHD	5B20R11605	
4	FAN L 81EU for DIS	5F10R11878	
4	FAN L 81EU for UMA	5F10R11539	
5	Storage SSD PM981 256G M.2 SAM	01FR544	

Table 4. Parts list—Overall (continued)

No.	FRU	FRU no.	CRU ID.
5	Storage SSD PC401 256G M.2 Hynix	01FR537	
5	Storage SSD PC401 512G M.2 Hynix	01FR538	
5	SS MZVLW128HEGR 128G PCIE SSD	5SD0L73445	
5	Storage SSD PM981 PCIe 512G SAM	01FR511	
5	SS MZVLW256HEHP 256G PCIE SSD	5SD0L73444	
6	16GB DDR4 2666 SoDIMM,Samsung	01AG838	
6	8GB DDR4 2666 SoDIMM,Micron	01AG841	
6	4GB DDR4 2666 SoDIMM,Samsung	01AG836	
6	16GB DDR4 2666 SOIMM,Hynix	01AG825	
6	4GB DDR4 2666 SoDIMM,Micron	01AG831	
6	8GB DDR4 2666 SoDIMM,Samsung	01AG837	
6	4GB DDR4 2666 SOIMM,Hynix	01AG823	
6	8GB DDR4 2666 SOIMM,Hynix	01AG824	
6	16GB DDR4 2666 SoDIMM,Micron	01AG842	
6	16GB DDR4 2666 SoDIMM,Ramaxel	01AG844	
6	8GB DDR4 2666 SoDIMM,Ramaxel	01AG843	
7	I/O Board L 81EU W/Cable	5C50R11880	
8	Heatsink L 81EU KBL_R for UMA	5H40R11640	
8	Heatsink L 81EU KBL_R for DIS	5H40R11969	
8	Heatsink L 81EU KBL_U for UMA	5H40R11847	
8	Heatsink L 81EU KBL_U for DIS	5H40R11947	
9	Wireless,CMB,LTN,NFA435A	01AX709	
9	Wireless,CMB,FXN,8822BE M2	01AX712	
9	Wireless,CMB,CBT,8821CE	01AX710	
9	Wireless,CMB,IN,3165 ac	00JT497	
9	Wireless,CMB,IN,8265 NV M2	01AX704	
10	CP/C L17C4PB0 7.68V45Wh4cell	5B10Q16067	
10	CP/C L17C4PB0 11.52V34Wh3cell	5B10Q22882	
11	530s-14 YG 1224 Speaker	5SB0Q58513	
12	Lower Case L 81EU OB	5CB0R12093	
12	Lower Case L 81EU LB	5CB0R11741	
12	Lower Case L 81EU COP	5CB0R12029	
12	Lower Case L 81EU MGR	5CB0R11875	
—	AC adapter (see “AC adapters” on page 108).		

ideapad 530S-15IKB

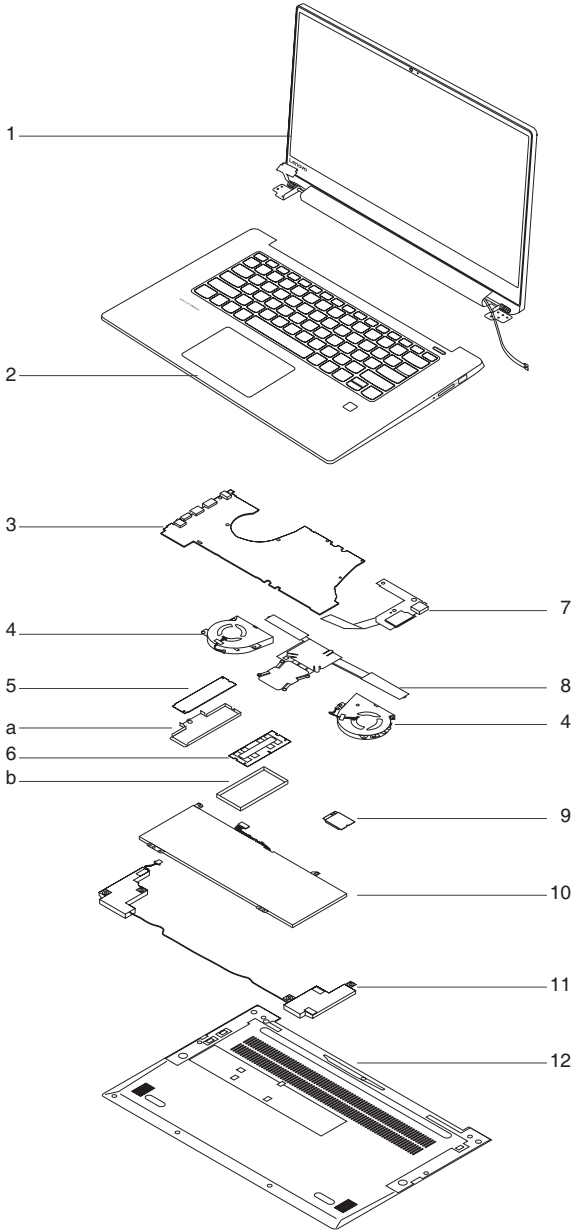


Table 5. Parts list --Overall

ideapad 530S-15IKB

No.	FRU	FRU no.	CRU ID.
a-c	See "Miscellaneous parts" on page 108.		
1	LCD unit (see "LCD FRUs" on page 106).		
2	UpperCase L 81EV W/KB IG FP BL US	5CB0R12712	N
2	UpperCase L 81EV W/KB IG FP BL GK	5CB0R12640	
2	UpperCase L 81EV W/KB IG FP BL UI	5CB0R12360	
2	UpperCase L 81EV W/KB IG FP BL KO	5CB0R12286	
2	UpperCase L 81EV W/KB IG FP BL CH	5CB0R12346	
2	UpperCase L 81EV W/KB IG FP BL RU	5CB0R12477	
2	UpperCase L 81EV W/KB IG FPBL AR-E	5CB0R12587	
2	UpperCase L 81EV W/KB IG FP BL HB	5CB0R12409	
2	UpperCase L 81EV W/KB IG FP BL TI	5CB0R12687	
2	UpperCase L 81EV W/KB IGFPBL INDIA	5CB0R12329	
2	UpperCase L 81EV W/KB IG FP BL UA	5CB0R12589	
2	UpperCase L 81EV W/KB IG FP BL UK	5CB0R12209	
2	UpperCase L 81EV W/KB IG FP BL IT	5CB0R12446	
2	UpperCase L 81EV W/KB IG FP BL SP	5CB0R12411	
2	UpperCase L 81EV W/KB IG FP BL TR	5CB0R12233	
2	UpperCase L 81EV W/KB IG FP BL PO	5CB0R12378	
2	UpperCase L 81EV W/KB IG FP BL LA	5CB0R12637	
2	UpperCase L 81EV W/KB IG FPBL CF-E	5CB0R12658	
2	UpperCase L 81EV W/KB IG FP BL ND	5CB0R12327	
2	UpperCase L 81EV W/KB IG FP BL FR	5CB0R12713	
2	UpperCase L 81EV W/KB IG FP BL GR	5CB0R12222	
2	UpperCase L 81EV W/KB IG FP BL HG	5CB0R12536	
2	UpperCase L 81EV W/KB IG FP BL BE	5CB0R12340	
2	UpperCase L 81EV W/KB IG FP BL ICE	5CB0R12194	
2	UpperCase L 81EV W/KB IG FP BL SA	5CB0R12302	
2	UpperCase L 81EV W/KB IG FP BL SW	5CB0R12314	
2	UpperCase L 81EV W/KB IG FP BL BU	5CB0R12444	
2	UpperCase L 81EV W/KB IGFPBL CZ-SK	5CB0R12581	
2	UpperCase L 81EV W/KB IG FP BL BZ	5CB0R12541	
2	UpperCase L 81EV W/KB IGFPBL AR-FR	5CB0R12418	
2	UpperCase L 81EV W/KB IG FP BL USA	5CB0R12219	
2	UpperCase L 81EV W/KB IG FP NBL US	5CB0R12255	
2	UpperCase L 81EV W/KB IG FP NBL GK	5CB0R12257	
2	UpperCase L 81EV W/KB IG FP NBL UI	5CB0R12534	
2	UpperCase L 81EV W/KB IG FP NBL KO	5CB0R12273	
2	UpperCase L 81EV W/KB IG FP NBL CH	5CB0R12614	
2	UpperCase L 81EV W/KB IG FP NBL RU	5CB0R12701	
2	UpperCase L 81EVW/KB IG FPNBL AR-E	5CB0R12458	
2	UpperCase L 81EV W/KB IG FP NBL HB	5CB0R12342	
2	UpperCase L 81EV W/KB IG FP NBL TI	5CB0R12573	
2	UpperCase L 81EVW/KB IGFPNBL INDIA	5CB0R12552	
2	UpperCase L 81EV W/KB IG FP NBL UA	5CB0R12322	
2	UpperCase L 81EV W/KB IG FP NBL UK	5CB0R12425	

Table 5. Parts list --Overall (continued)

No.	FRU	FRU no.	CRU ID.
2	UpperCase L 81EV W/KB IG FP NBL IT	5CB0R12675	N
2	UpperCase L 81EV W/KB IG FP NBL SP	5CB0R12462	
2	UpperCase L 81EV W/KB IG FP NBL TR	5CB0R12382	
2	UpperCase L 81EV W/KB IG FP NBL PO	5CB0R12450	
2	UpperCase L 81EV W/KB IG FP NBL LA	5CB0R12652	
2	UpperCase L 81EVW/KB IG FPNBL CF-E	5CB0R12238	
2	UpperCase L 81EV W/KB IG FP NBL ND	5CB0R12432	
2	UpperCase L 81EV W/KB IG FP NBL FR	5CB0R12548	
2	UpperCase L 81EV W/KB IG FP NBL GR	5CB0R12738	
2	UpperCase L 81EV W/KB IG FP NBL HG	5CB0R12290	
2	UpperCase L 81EV W/KB IG FP NBL BE	5CB0R12498	
2	UpperCase L 81EV W/KB IG FPNBL ICE	5CB0R12228	
2	UpperCase L 81EV W/KB IG FP NBL SA	5CB0R12369	
2	UpperCase L 81EV W/KB IG FP NBL SW	5CB0R12485	
2	UpperCase L 81EV W/KB IG FP NBL BU	5CB0R12305	
2	UpperCase L 81EVW/KB IGFPNBL CZ-SK	5CB0R12387	
2	UpperCase L 81EV W/KB IG FP NBL BZ	5CB0R12436	
2	UpperCase L 81EVW/KB IGFPNBL AR-FR	5CB0R12527	
2	UpperCase L 81EV W/KB IG NFP BL US	5CB0R12268	
2	UpperCase L 81EV W/KB IG NFP BL GK	5CB0R12195	
2	UpperCase L 81EV W/KB IG NFP BL UI	5CB0R12698	
2	UpperCase L 81EV W/KB IG NFP BL KO	5CB0R12608	
2	UpperCase L 81EV W/KB IG NFP BL CH	5CB0R12545	
2	UpperCase L 81EV W/KB IG NFP BL RU	5CB0R12681	
2	UpperCase L 81EVW/KB IG NFPBL AR-E	5CB0R12544	
2	UpperCase L 81EV W/KB IG NFP BL HB	5CB0R12400	
2	UpperCase L 81EV W/KB IG NFP BL TI	5CB0R12694	
2	UpperCase L 81EVW/KB IGNFPBL INDIA	5CB0R12605	
2	UpperCase L 81EV W/KB IG NFP BL UA	5CB0R12331	
2	UpperCase L 81EV W/KB IG NFP BL UK	5CB0R12416	
2	UpperCase L 81EV W/KB IG NFP BL IT	5CB0R12428	
2	UpperCase L 81EV W/KB IG NFP BL SP	5CB0R12690	
2	UpperCase L 81EV W/KB IG NFP BL TR	5CB0R12173	
2	UpperCase L 81EV W/KB IG NFP BL PO	5CB0R12595	
2	UpperCase L 81EV W/KB IG NFP BL LA	5CB0R12710	
2	UpperCase L 81EVW/KB IG NFPBL CF-E	5CB0R12245	
2	UpperCase L 81EV W/KB IG NFP BL ND	5CB0R12259	
2	UpperCase L 81EV W/KB IG NFP BL FR	5CB0R12239	
2	UpperCase L 81EV W/KB IG NFP BL GR	5CB0R12399	
2	UpperCase L 81EV W/KB IG NFP BL HG	5CB0R12192	
2	UpperCase L 81EV W/KB IG NFP BL BE	5CB0R12313	
2	UpperCase L 81EV W/KB IG NFPBL ICE	5CB0R12455	
2	UpperCase L 81EV W/KB IG NFP BL SA	5CB0R12648	
2	UpperCase L 81EV W/KB IG NFP BL SW	5CB0R12537	
2	UpperCase L 81EV W/KB IG NFP BL BU	5CB0R12293	
2	UpperCase L 81EVW/KB IGNFPBL CZ-SK	5CB0R12223	

Table 5. Parts list --Overall (continued)

No.	FRU	FRU no.	CRU ID.
2	UpperCase L 81EV W/KB IG NFP BL BZ	5CB0R12447	N
2	UpperCase L 81EVW/KB IGNFPBL AR-FR	5CB0R12453	
2	UpperCase L 81EV W/KB IG NFP BL JA	5CB0R12542	
2	UpperCase L 81EVW/KB IG NFP BL USA	5CB0R12739	
2	UpperCase L 81EVW/KB IG NFP NBL US	5CB0R12492	
2	UpperCase L 81EVW/KB IG NFP NBL GK	5CB0R12267	
2	UpperCase L 81EVW/KB IG NFP NBL UI	5CB0R12679	
2	UpperCase L 81EVW/KB IG NFP NBL KO	5CB0R12199	
2	UpperCase L 81EVW/KB IG NFP NBL CH	5CB0R12434	
2	UpperCase L 81EVW/KB IG NFP NBL RU	5CB0R12656	
2	UpperCase L 81EVW/KB IG NFPNBLAR-E	5CB0R12704	
2	UpperCase L 81EVW/KB IG NFP NBL HB	5CB0R12529	
2	UpperCase L 81EVW/KB IG NFP NBL TI	5CB0R12226	
2	UpperCase L 81EVW/KB IGNFPNBLINDIA	5CB0R12316	
2	UpperCase L 81EVW/KB IG NFP NBL UA	5CB0R12509	
2	UpperCase L 81EVW/KB IG NFP NBL UK	5CB0R12572	
2	UpperCase L 81EVW/KB IG NFP NBL IT	5CB0R12732	
2	UpperCase L 81EVW/KB IG NFP NBL SP	5CB0R12667	
2	UpperCase L 81EVW/KB IG NFP NBL TR	5CB0R12277	
2	UpperCase L 81EVW/KB IG NFP NBL PO	5CB0R12664	
2	UpperCase L 81EVW/KB IG NFP NBL LA	5CB0R12557	
2	UpperCase L 81EVW/KB IG NFPNBLCF-E	5CB0R12250	
2	UpperCase L 81EVW/KB IG NFP NBL ND	5CB0R12653	
2	UpperCase L 81EVW/KB IG NFP NBL FR	5CB0R12740	
2	UpperCase L 81EVW/KB IG NFP NBL GR	5CB0R12476	
2	UpperCase L 81EVW/KB IG NFP NBL HG	5CB0R12623	
2	UpperCase L 81EVW/KB IG NFP NBL BE	5CB0R12377	
2	UpperCase L 81EVW/KB IG NFPNBL ICE	5CB0R12721	
2	UpperCase L 81EVW/KB IG NFP NBL SA	5CB0R12531	
2	UpperCase L 81EVW/KB IG NFP NBL SW	5CB0R12263	
2	UpperCase L 81EVW/KB IG NFP NBL BU	5CB0R12438	
2	UpperCase L 81EVW/KB IGNFPNBLCZ-SK	5CB0R12556	
2	UpperCase L 81EVW/KB IG NFP NBL BZ	5CB0R12200	
2	UpperCase L 81EVW/KB IGNFPNBLAR-FR	5CB0R12473	
2	UpperCase L 81EVW/KB IG NFP NBL JA	5CB0R12682	
2	UpperCase L 81EV W/KB LB FP BL US	5CB0R12706	
2	UpperCase L 81EV W/KB LB FP BL GK	5CB0R12393	
2	UpperCase L 81EV W/KB LB FP BL UI	5CB0R12599	
2	UpperCase L 81EV W/KB LB FP BL KO	5CB0R12386	
2	UpperCase L 81EV W/KB LB FP BL CH	5CB0R12616	
2	UpperCase L 81EV W/KB LB FP BL RU	5CB0R12620	
2	UpperCase L 81EV W/KB LB FPBL AR-E	5CB0R12356	
2	UpperCase L 81EV W/KB LB FP BL HB	5CB0R12469	
2	UpperCase L 81EV W/KB LB FP BL TI	5CB0R12429	
2	UpperCase L 81EV W/KB LBFPBL INDIA	5CB0R12420	
2	UpperCase L 81EV W/KB LB FP BL UA	5CB0R12394	

Table 5. Parts list --Overall (continued)

No.	FRU	FRU no.	CRU ID.
2	UpperCase L 81EV W/KB LB FP BL UK	5CB0R12180	N
2	UpperCase L 81EV W/KB LB FP BL IT	5CB0R12676	
2	UpperCase L 81EV W/KB LB FP BL SP	5CB0R12499	
2	UpperCase L 81EV W/KB LB FP BL TR	5CB0R12240	
2	UpperCase L 81EV W/KB LB FP BL PO	5CB0R12603	
2	UpperCase L 81EV W/KB LB FP BL LA	5CB0R12343	
2	UpperCase L 81EV W/KB LB FPBL CF-E	5CB0R12580	
2	UpperCase L 81EV W/KB LB FP BL ND	5CB0R12680	
2	UpperCase L 81EV W/KB LB FP BL FR	5CB0R12401	
2	UpperCase L 81EV W/KB LB FP BL GR	5CB0R12196	
2	UpperCase L 81EV W/KB LB FP BL HG	5CB0R12558	
2	UpperCase L 81EV W/KB LB FP BL BE	5CB0R12433	
2	UpperCase L 81EV W/KB LB FP BL ICE	5CB0R12188	
2	UpperCase L 81EV W/KB LB FP BL SA	5CB0R12348	
2	UpperCase L 81EV W/KB LB FP BL SW	5CB0R12309	
2	UpperCase L 81EV W/KB LB FP BL BU	5CB0R12435	
2	UpperCase L 81EV W/KB LBFPBL CZ-SK	5CB0R12606	
2	UpperCase L 81EV W/KB LB FP BL BZ	5CB0R12426	
2	UpperCase L 81EV W/KB LBFPBL AR-FR	5CB0R12645	
2	UpperCase L 81EV W/KB LB FP BL USA	5CB0R12353	
2	UpperCase L 81EV W/KB LB FP NBL US	5CB0R12424	
2	UpperCase L 81EV W/KB LB FP NBL GK	5CB0R12592	
2	UpperCase L 81EV W/KB LB FP NBL UI	5CB0R12602	
2	UpperCase L 81EV W/KB LB FP NBL KO	5CB0R12659	
2	UpperCase L 81EV W/KB LB FP NBL CH	5CB0R12622	
2	UpperCase L 81EV W/KB LB FP NBL RU	5CB0R12628	
2	UpperCase L 81EVW/KB LB FPNBL AR-E	5CB0R12423	
2	UpperCase L 81EV W/KB LB FP NBL HB	5CB0R12524	
2	UpperCase L 81EV W/KB LB FP NBL TI	5CB0R12236	
2	UpperCase L 81EVW/KB LBFPNBL INDIA	5CB0R12282	
2	UpperCase L 81EV W/KB LB FP NBL UA	5CB0R12304	
2	UpperCase L 81EV W/KB LB FP NBL UK	5CB0R12371	
2	UpperCase L 81EV W/KB LB FP NBL IT	5CB0R12731	
2	UpperCase L 81EV W/KB LB FP NBL SP	5CB0R12407	
2	UpperCase L 81EV W/KB LB FP NBL TR	5CB0R12551	
2	UpperCase L 81EV W/KB LB FP NBL PO	5CB0R12269	
2	UpperCase L 81EV W/KB LB FP NBL LA	5CB0R12441	
2	UpperCase L 81EVW/KB LB FPNBL CF-E	5CB0R12730	
2	UpperCase L 81EV W/KB LB FP NBL ND	5CB0R12294	
2	UpperCase L 81EV W/KB LB FP NBL FR	5CB0R12252	
2	UpperCase L 81EV W/KB LB FP NBL GR	5CB0R12669	
2	UpperCase L 81EV W/KB LB FP NBL HG	5CB0R12725	
2	UpperCase L 81EV W/KB LB FP NBL BE	5CB0R12507	
2	UpperCase L 81EVW/KB LB FP NBL ICE	5CB0R12211	
2	UpperCase L 81EV W/KB LB FP NBL SA	5CB0R12607	
2	UpperCase L 81EV W/KB LB FP NBL SW	5CB0R12502	

Table 5. Parts list --Overall (continued)

No.	FRU	FRU no.	CRU ID.
2	UpperCase L 81EV W/KB LB FP NBL BU	5CB0R12288	N
2	UpperCase L 81EVW/KB LBFPNBL CZ-SK	5CB0R12717	
2	UpperCase L 81EV W/KB LB FP NBL BZ	5CB0R12410	
2	UpperCase L 81EVW/KB LBFPNBL AR-FR	5CB0R12456	
2	UpperCase L 81EV W/KB LB NFP BL US	5CB0R12661	
2	UpperCase L 81EV W/KB LB NFP BL GK	5CB0R12178	
2	UpperCase L 81EV W/KB LB NFP BL UI	5CB0R12333	
2	UpperCase L 81EV W/KB LB NFP BL KO	5CB0R12185	
2	UpperCase L 81EV W/KB LB NFP BL CH	5CB0R12728	
2	UpperCase L 81EV W/KB LB NFP BL RU	5CB0R12471	
2	UpperCase L 81EVW/KB LB NFPBL AR-E	5CB0R12449	
2	UpperCase L 81EV W/KB LB NFP BL HB	5CB0R12230	
2	UpperCase L 81EV W/KB LB NFP BL TI	5CB0R12341	
2	UpperCase L 81EVW/KB LBNFPBL INDIA	5CB0R12218	
2	UpperCase L 81EV W/KB LB NFP BL UA	5CB0R12459	
2	UpperCase L 81EV W/KB LB NFP BL UK	5CB0R12596	
2	UpperCase L 81EV W/KB LB NFP BL IT	5CB0R12617	
2	UpperCase L 81EV W/KB LB NFP BL SP	5CB0R12246	
2	UpperCase L 81EV W/KB LB NFP BL TR	5CB0R12719	
2	UpperCase L 81EV W/KB LB NFP BL PO	5CB0R12538	
2	UpperCase L 81EV W/KB LB NFP BL LA	5CB0R12481	
2	UpperCase L 81EVW/KB LB NFPBL CF-E	5CB0R12638	
2	UpperCase L 81EV W/KB LB NFP BL ND	5CB0R12489	
2	UpperCase L 81EV W/KB LB NFP BL FR	5CB0R12232	
2	UpperCase L 81EV W/KB LB NFP BL GR	5CB0R12598	
2	UpperCase L 81EV W/KB LB NFP BL HG	5CB0R12474	
2	UpperCase L 81EV W/KB LB NFP BL BE	5CB0R12439	
2	UpperCase L 81EV W/KB LB NFPBL ICE	5CB0R12274	
2	UpperCase L 81EV W/KB LB NFP BL SA	5CB0R12368	
2	UpperCase L 81EV W/KB LB NFP BL SW	5CB0R12564	
2	UpperCase L 81EV W/KB LB NFP BL BU	5CB0R12729	
2	UpperCase L 81EVW/KB LBNFPBL CZ-SK	5CB0R12280	
2	UpperCase L 81EV W/KB LB NFP BL BZ	5CB0R12225	
2	UpperCase L 81EVW/KB LBNFPBL AR-FR	5CB0R12519	
2	UpperCase L 81EV W/KB LB NFP BL JA	5CB0R12224	
2	UpperCase L 81EVW/KB LB NFP BL USA	5CB0R12214	
2	UpperCase L 81EVW/KB LB NFP NBL US	5CB0R12442	
2	UpperCase L 81EVW/KB LB NFP NBL GK	5CB0R12500	
2	UpperCase L 81EVW/KB LB NFP NBL UI	5CB0R12320	
2	UpperCase L 81EVW/KB LB NFP NBL KO	5CB0R12522	
2	UpperCase L 81EVW/KB LB NFP NBL CH	5CB0R12373	
2	UpperCase L 81EVW/KB LB NFP NBL RU	5CB0R12618	
2	UpperCase L 81EVW/KB LB NFPNBLAR-E	5CB0R12186	
2	UpperCase L 81EVW/KB LB NFP NBL HB	5CB0R12691	
2	UpperCase L 81EVW/KB LB NFP NBL TI	5CB0R12454	
2	UpperCase L 81EVW/KB LBNFPNBLINDIA	5CB0R12722	

Table 5. Parts list --Overall (continued)

No.	FRU	FRU no.	CRU ID.
2	UpperCase L 81EVW/KB LB NFP NBL UA	5CB0R12460	N
2	UpperCase L 81EVW/KB LB NFP NBL UK	5CB0R12525	
2	UpperCase L 81EVW/KB LB NFP NBL IT	5CB0R12575	
2	UpperCase L 81EVW/KB LB NFP NBL SP	5CB0R12472	
2	UpperCase L 81EVW/KB LB NFP NBL TR	5CB0R12334	
2	UpperCase L 81EVW/KB LB NFP NBL PO	5CB0R12190	
2	UpperCase L 81EVW/KB LB NFP NBL LA	5CB0R12633	
2	UpperCase L 81EVW/KB LB NFPNBLCF-E	5CB0R12643	
2	UpperCase L 81EVW/KB LB NFP NBL ND	5CB0R12370	
2	UpperCase L 81EVW/KB LB NFP NBL FR	5CB0R12737	
2	UpperCase L 81EVW/KB LB NFP NBL GR	5CB0R12670	
2	UpperCase L 81EVW/KB LB NFP NBL HG	5CB0R12270	
2	UpperCase L 81EVW/KB LB NFP NBL BE	5CB0R12384	
2	UpperCase L 81EVW/KB LB NFPNBL ICE	5CB0R12546	
2	UpperCase L 81EVW/KB LB NFP NBL SA	5CB0R12408	
2	UpperCase L 81EVW/KB LB NFP NBL SW	5CB0R12663	
2	UpperCase L 81EVW/KB LB NFP NBL BU	5CB0R12396	
2	UpperCase L 81EVW/KB LBNFPNBL CZ-SK	5CB0R12276	
2	UpperCase L 81EVW/KB LB NFP NBL BZ	5CB0R12326	
2	UpperCase L 81EVW/KB LBNFPNBL AR-FR	5CB0R12412	
2	UpperCase L 81EVW/KB LB NFP NBL JA	5CB0R12528	
2	UpperCase L 81EV W/KB COP FP BL US	5CB0R12298	
2	UpperCase L 81EV W/KB COP FP BL GK	5CB0R12272	
2	UpperCase L 81EV W/KB COP FP BL UI	5CB0R12312	
2	UpperCase L 81EV W/KB COP FP BL KO	5CB0R12339	
2	UpperCase L 81EV W/KB COP FP BL CH	5CB0R12513	
2	UpperCase L 81EV W/KB COP FP BL RU	5CB0R12654	
2	UpperCase L 81EVW/KB COP FPBL AR-E	5CB0R12285	
2	UpperCase L 81EV W/KB COP FP BL HB	5CB0R12683	
2	UpperCase L 81EV W/KB COP FP BL TI	5CB0R12615	
2	UpperCase L 81EVW/KB COPFPBL INDIA	5CB0R12361	
2	UpperCase L 81EV W/KB COP FP BL UA	5CB0R12660	
2	UpperCase L 81EV W/KB COP FP BL UK	5CB0R12695	
2	UpperCase L 81EV W/KB COP FP BL IT	5CB0R12372	
2	UpperCase L 81EV W/KB COP FP BL SP	5CB0R12707	
2	UpperCase L 81EV W/KB COP FP BL TR	5CB0R12464	
2	UpperCase L 81EV W/KB COP FP BL PO	5CB0R12451	
2	UpperCase L 81EV W/KB COP FP BL LA	5CB0R12379	
2	UpperCase L 81EVW/KB COP FPBL CF-E	5CB0R12299	
2	UpperCase L 81EV W/KB COP FP BL ND	5CB0R12323	
2	UpperCase L 81EV W/KB COP FP BL FR	5CB0R12205	
2	UpperCase L 81EV W/KB COP FP BL GR	5CB0R12720	
2	UpperCase L 81EV W/KB COP FP BL HG	5CB0R12415	
2	UpperCase L 81EV W/KB COP FP BL BE	5CB0R12697	
2	UpperCase L 81EVW/KB COP FP BL ICE	5CB0R12692	
2	UpperCase L 81EV W/KB COP FP BL SA	5CB0R12281	

Table 5. Parts list --Overall (continued)

No.	FRU	FRU no.	CRU ID.
2	UpperCase L 81EV W/KB COP FP BL SW	5CB0R12668	N
2	UpperCase L 81EV W/KB COP FP BL BU	5CB0R12543	
2	UpperCase L 81EVW/KB COPFPBL CZ-SK	5CB0R12650	
2	UpperCase L 81EV W/KB COP FP BL BZ	5CB0R12397	
2	UpperCase L 81EVW/KB COPFPBLAR-FR	5CB0R12308	
2	UpperCase L 81EVW/KB COP FP BL USA	5CB0R12395	
2	UpperCase L 81EVW/KB COP FP NBL US	5CB0R12351	
2	UpperCase L 81EVW/KB COP FP NBL GK	5CB0R12183	
2	UpperCase L 81EVW/KB COP FP NBL UI	5CB0R12278	
2	UpperCase L 81EVW/KB COP FP NBL KO	5CB0R12597	
2	UpperCase L 81EVW/KB COP FP NBL CH	5CB0R12699	
2	UpperCase L 81EVW/KB COP FP NBL RU	5CB0R12505	
2	UpperCase L 81EVW/KB COP FPNBLAR-E	5CB0R12600	
2	UpperCase L 81EVW/KB COP FP NBL HB	5CB0R12647	
2	UpperCase L 81EVW/KB COP FP NBL TI	5CB0R12171	
2	UpperCase L 81EVW/KB COPFPNBLINDIA	5CB0R12487	
2	UpperCase L 81EVW/KB COP FP NBL UA	5CB0R12584	
2	UpperCase L 81EVW/KB COP FP NBL UK	5CB0R12515	
2	UpperCase L 81EVW/KB COP FP NBL IT	5CB0R12563	
2	UpperCase L 81EVW/KB COP FP NBL SP	5CB0R12641	
2	UpperCase L 81EVW/KB COP FP NBL TR	5CB0R12734	
2	UpperCase L 81EVW/KB COP FP NBL PO	5CB0R12306	
2	UpperCase L 81EVW/KB COP FP NBL LA	5CB0R12201	
2	UpperCase L 81EVW/KB COP FPNBLCF-E	5CB0R12422	
2	UpperCase L 81EVW/KB COP FP NBL ND	5CB0R12506	
2	UpperCase L 81EVW/KB COP FP NBL FR	5CB0R12665	
2	UpperCase L 81EVW/KB COP FP NBL GR	5CB0R12571	
2	UpperCase L 81EVW/KB COP FP NBL HG	5CB0R12367	
2	UpperCase L 81EVW/KB COP FP NBL BE	5CB0R12689	
2	UpperCase L 81EVW/KB COP FP NBLICE	5CB0R12671	
2	UpperCase L 81EVW/KB COP FP NBL SA	5CB0R12693	
2	UpperCase L 81EVW/KB COP FP NBL SW	5CB0R12344	
2	UpperCase L 81EVW/KB COP FP NBL BU	5CB0R12677	
2	UpperCase L 81EVW/KB COPFPNBL CZ-SK	5CB0R12237	
2	UpperCase L 81EVW/KB COP FP NBL BZ	5CB0R12630	
2	UpperCase L 81EVW/KB COPFPNBLAR-FR	5CB0R12625	
2	UpperCase L 81EVW/KB COP NFP BL US	5CB0R12497	
2	UpperCase L 81EVW/KB COP NFP BL GK	5CB0R12716	
2	UpperCase L 81EVW/KB COP NFP BL UI	5CB0R12179	
2	UpperCase L 81EVW/KB COP NFP BL KO	5CB0R12736	
2	UpperCase L 81EVW/KB COP NFP BL CH	5CB0R12569	
2	UpperCase L 81EVW/KB COP NFP BL RU	5CB0R12511	
2	UpperCase L 81EVW/KB COP NFPBLAR-E	5CB0R12688	
2	UpperCase L 81EVW/KB COP NFP BL HB	5CB0R12254	
2	UpperCase L 81EVW/KB COP NFP BL TI	5CB0R12565	
2	UpperCase L 81EVW/KB COPNFPBLINDIA	5CB0R12241	

Table 5. Parts list --Overall (continued)

No.	FRU	FRU no.	CRU ID.
2	UpperCase L 81EVW/KB COP NFP BL UA	5CB0R12330	N
2	UpperCase L 81EVW/KB COP NFP BL UK	5CB0R12275	
2	UpperCase L 81EVW/KB COP NFP BL IT	5CB0R12402	
2	UpperCase L 81EVW/KB COP NFP BL SP	5CB0R12539	
2	UpperCase L 81EVW/KB COP NFP BL TR	5CB0R12249	
2	UpperCase L 81EVW/KB COP NFP BL PO	5CB0R12359	
2	UpperCase L 81EVW/KB COP NFP BL LA	5CB0R12405	
2	UpperCase L 81EVW/KB COP NFPBLCF-E	5CB0R12709	
2	UpperCase L 81EVW/KB COP NFP BL ND	5CB0R12297	
2	UpperCase L 81EVW/KB COP NFP BL FR	5CB0R12508	
2	UpperCase L 81EVW/KB COP NFP BL GR	5CB0R12714	
2	UpperCase L 81EVW/KB COP NFP BL HG	5CB0R12247	
2	UpperCase L 81EVW/KB COP NFP BL BE	5CB0R12708	
2	UpperCase L 81EVW/KB COP NFPBL ICE	5CB0R12609	
2	UpperCase L 81EVW/KB COP NFP BL SA	5CB0R12540	
2	UpperCase L 81EVW/KB COP NFP BL SW	5CB0R12295	
2	UpperCase L 81EVW/KB COP NFP BL BU	5CB0R12448	
2	UpperCase L 81EVW/KB COPNFPBLCZ-SK	5CB0R12189	
2	UpperCase L 81EVW/KB COP NFP BL BZ	5CB0R12380	
2	UpperCase L 81EVW/KB COPNFPBLAR-FR	5CB0R12521	
2	UpperCase L 81EVW/KB COP NFP BL JA	5CB0R12204	
2	UpperCase L 81EVW/KB COP NFPBL USA	5CB0R12549	
2	UpperCase L 81EVW/KB COP NFPNBL US	5CB0R12383	
2	UpperCase L 81EVW/KB COP NFPNBL GK	5CB0R12547	
2	UpperCase L 81EVW/KB COP NFPNBL UI	5CB0R12437	
2	UpperCase L 81EVW/KB COP NFPNBL KO	5CB0R12391	
2	UpperCase L 81EVW/KB COP NFPNBL CH	5CB0R12530	
2	UpperCase L 81EVW/KB COP NFPNBL RU	5CB0R12626	
2	UpperCase L 81EVW/KBCOP NFPNBLAR-E	5CB0R12594	
2	UpperCase L 81EVW/KB COP NFPNBL HB	5CB0R12388	
2	UpperCase L 81EVW/KB COP NFPNBL TI	5CB0R12335	
2	UpperCase L 81EVW/KBCOPNFPNBLINDIA	5CB0R12684	
2	UpperCase L 81EVW/KB COP NFPNBL UA	5CB0R12560	
2	UpperCase L 81EVW/KB COP NFPNBL UK	5CB0R12741	
2	UpperCase L 81EVW/KB COP NFPNBL IT	5CB0R12554	
2	UpperCase L 81EVW/KB COP NFPNBL SP	5CB0R12220	
2	UpperCase L 81EVW/KB COP NFPNBL TR	5CB0R12636	
2	UpperCase L 81EVW/KB COP NFPNBL PO	5CB0R12512	
2	UpperCase L 81EVW/KB COP NFPNBL LA	5CB0R12627	
2	UpperCase L 81EVW/KBCOP NFPNBLCF-E	5CB0R12493	
2	UpperCase L 81EVW/KB COP NFPNBL ND	5CB0R12651	
2	UpperCase L 81EVW/KB COP NFPNBL FR	5CB0R12634	
2	UpperCase L 81EVW/KB COP NFPNBL GR	5CB0R12635	
2	UpperCase L 81EVW/KB COP NFPNBL HG	5CB0R12610	
2	UpperCase L 81EVW/KB COP NFPNBL BE	5CB0R12586	
2	UpperCase L 81EVW/KBCOP NFPNBL ICE	5CB0R12235	

Table 5. Parts list --Overall (continued)

No.	FRU	FRU no.	CRU ID.
2	UpperCase L 81EVW/KB COP NFPNBL SA	5CB0R12403	N
2	UpperCase L 81EVW/KB COP NFPNBL SW	5CB0R12613	
2	UpperCase L 81EVW/KB COP NFPNBL BU	5CB0R12307	
2	UpperCase L 81EVW/KBCOPNFPNBL CZ-SK	5CB0R12478	
2	UpperCase L 81EVW/KB COP NFPNBL BZ	5CB0R12212	
2	UpperCase L 81EVW/KBCOPNFPNBLAR-FR	5CB0R12191	
2	UpperCase L 81EVW/KB COP NFPNBL JA	5CB0R12574	
2	UpperCase L 81EV W/KB PG FP BL US	5CB0R12354	
2	UpperCase L 81EV W/KB PG FP BL GK	5CB0R12646	
2	UpperCase L 81EV W/KB PG FP BL UI	5CB0R12187	
2	UpperCase L 81EV W/KB PG FP BL KO	5CB0R12175	
2	UpperCase L 81EV W/KB PG FP BL CH	5CB0R12491	
2	UpperCase L 81EV W/KB PG FP BL RU	5CB0R12210	
2	UpperCase L 81EV W/KB PG FPBL AR-E	5CB0R12362	
2	UpperCase L 81EV W/KB PG FP BL HB	5CB0R12198	
2	UpperCase L 81EV W/KB PG FP BL TI	5CB0R12337	
2	UpperCase L 81EV W/KB PGFPBL INDIA	5CB0R12457	
2	UpperCase L 81EV W/KB PG FP BL UA	5CB0R12468	
2	UpperCase L 81EV W/KB PG FP BL UK	5CB0R12662	
2	UpperCase L 81EV W/KB PG FP BL IT	5CB0R12673	
2	UpperCase L 81EV W/KB PG FP BL SP	5CB0R12227	
2	UpperCase L 81EV W/KB PG FP BL TR	5CB0R12321	
2	UpperCase L 81EV W/KB PG FP BL PO	5CB0R12696	
2	UpperCase L 81EV W/KB PG FP BL LA	5CB0R12390	
2	UpperCase L 81EV W/KB PG FPBL CF-E	5CB0R12535	
2	UpperCase L 81EV W/KB PG FP BL ND	5CB0R12723	
2	UpperCase L 81EV W/KB PG FP BL FR	5CB0R12440	
2	UpperCase L 81EV W/KB PG FP BL GR	5CB0R12657	
2	UpperCase L 81EV W/KB PG FP BL HG	5CB0R12264	
2	UpperCase L 81EV W/KB PG FP BL BE	5CB0R12385	
2	UpperCase L 81EV W/KB PG FP BL ICE	5CB0R12576	
2	UpperCase L 81EV W/KB PG FP BL SA	5CB0R12291	
2	UpperCase L 81EV W/KB PG FP BL SW	5CB0R12317	
2	UpperCase L 81EV W/KB PG FP BL BU	5CB0R12702	
2	UpperCase L 81EV W/KB PGFPBL CZ-SK	5CB0R12338	
2	UpperCase L 81EV W/KB PG FP BL BZ	5CB0R12577	
2	UpperCase L 81EV W/KB PGFPBL AR-FR	5CB0R12202	
2	UpperCase L 81EV W/KB PG FP BL USA	5CB0R12718	
2	UpperCase L 81EV W/KB PG FP NBL US	5CB0R12561	
2	UpperCase L 81EV W/KB PG FP NBL GK	5CB0R12203	
2	UpperCase L 81EV W/KB PG FP NBL UI	5CB0R12461	
2	UpperCase L 81EV W/KB PG FP NBL KO	5CB0R12480	
2	UpperCase L 81EV W/KB PG FP NBL CH	5CB0R12611	
2	UpperCase L 81EV W/KB PG FP NBL RU	5CB0R12193	
2	UpperCase L 81EV W/KB PG FPNBLAR-E	5CB0R12733	
2	UpperCase L 81EV W/KB PG FP NBL HB	5CB0R12262	

Table 5. Parts list --Overall (continued)

No.	FRU	FRU no.	CRU ID.
2	UpperCase L 81EV W/KB PG FP NBL TI	5CB0R12495	N
2	UpperCase L 81EV W/KB PGFPNBLINDIA	5CB0R12644	
2	UpperCase L 81EV W/KB PG FP NBL UA	5CB0R12352	
2	UpperCase L 81EV W/KB PG FP NBL UK	5CB0R12243	
2	UpperCase L 81EV W/KB PG FP NBL IT	5CB0R12517	
2	UpperCase L 81EV W/KB PG FP NBL SP	5CB0R12674	
2	UpperCase L 81EV W/KB PG FP NBL TR	5CB0R12363	
2	UpperCase L 81EV W/KB PG FP NBL PO	5CB0R12244	
2	UpperCase L 81EV W/KB PG FP NBL LA	5CB0R12430	
2	UpperCase L 81EV W/KB PG FPNBLCF-E	5CB0R12376	
2	UpperCase L 81EV W/KB PG FP NBL ND	5CB0R12406	
2	UpperCase L 81EV W/KB PG FP NBL FR	5CB0R12629	
2	UpperCase L 81EV W/KB PG FP NBL GR	5CB0R12559	
2	UpperCase L 81EV W/KB PG FP NBL HG	5CB0R12355	
2	UpperCase L 81EV W/KB PG FP NBL BE	5CB0R12624	
2	UpperCase L 81EV W/KB PG FPNBL ICE	5CB0R12248	
2	UpperCase L 81EV W/KB PG FP NBL SA	5CB0R12479	
2	UpperCase L 81EV W/KB PG FP NBL SW	5CB0R12234	
2	UpperCase L 81EV W/KB PG FP NBL BU	5CB0R12216	
2	UpperCase L 81EV W/KB PGFPNBL CZ-SK	5CB0R12672	
2	UpperCase L 81EV W/KB PG FP NBL BZ	5CB0R12358	
2	UpperCase L 81EV W/KB PGFPNBL AR-FR	5CB0R12318	
2	UpperCase L 81EV W/KB PG NFP BL US	5CB0R12229	
2	UpperCase L 81EV W/KB PG NFP BL GK	5CB0R12364	
2	UpperCase L 81EV W/KB PG NFP BL UI	5CB0R12726	
2	UpperCase L 81EV W/KB PG NFP BL KO	5CB0R12516	
2	UpperCase L 81EV W/KB PG NFP BL CH	5CB0R12583	
2	UpperCase L 81EV W/KB PG NFP BL RU	5CB0R12365	
2	UpperCase L 81EV W/KB PG NFPBLAR-E	5CB0R12296	
2	UpperCase L 81EV W/KB PG NFP BL HB	5CB0R12585	
2	UpperCase L 81EV W/KB PG NFP BL TI	5CB0R12649	
2	UpperCase L 81EV W/KB PG NFPBLINDIA	5CB0R12568	
2	UpperCase L 81EV W/KB PG NFP BL UA	5CB0R12419	
2	UpperCase L 81EV W/KB PG NFP BL UK	5CB0R12711	
2	UpperCase L 81EV W/KB PG NFP BL IT	5CB0R12482	
2	UpperCase L 81EV W/KB PG NFP BL SP	5CB0R12566	
2	UpperCase L 81EV W/KB PG NFP BL TR	5CB0R12404	
2	UpperCase L 81EV W/KB PG NFP BL PO	5CB0R12735	
2	UpperCase L 81EV W/KB PG NFP BL LA	5CB0R12475	
2	UpperCase L 81EV W/KB PG NFPBLCF-E	5CB0R12588	
2	UpperCase L 81EV W/KB PG NFP BL ND	5CB0R12666	
2	UpperCase L 81EV W/KB PG NFP BL FR	5CB0R12345	
2	UpperCase L 81EV W/KB PG NFP BL GR	5CB0R12266	
2	UpperCase L 81EV W/KB PG NFP BL HG	5CB0R12465	
2	UpperCase L 81EV W/KB PG NFP BL BE	5CB0R12311	
2	UpperCase L 81EV W/KB PG NFPBL ICE	5CB0R12483	

Table 5. Parts list --Overall (continued)

No.	FRU	FRU no.	CRU ID.
2	UpperCase L 81EV W/KB PG NFP BL SA	5CB0R12398	N
2	UpperCase L 81EV W/KB PG NFP BL SW	5CB0R12381	
2	UpperCase L 81EV W/KB PG NFP BL BU	5CB0R12172	
2	UpperCase L 81EV W/KB PGNFPBLCZ-SK	5CB0R12279	
2	UpperCase L 81EV W/KB PG NFP BL BZ	5CB0R12601	
2	UpperCase L 81EV W/KB PGNFPBLAR-FR	5CB0R12520	
2	UpperCase L 81EV W/KB PG NFP BL JA	5CB0R12655	
2	UpperCase L 81EVW/KB PG NFP BL USA	5CB0R12287	
2	UpperCase L 81EVW/KB PG NFP NBL US	5CB0R12375	
2	UpperCase L 81EVW/KB PG NFP NBL GK	5CB0R12445	
2	UpperCase L 81EVW/KB PG NFP NBL UI	5CB0R12392	
2	UpperCase L 81EVW/KB PG NFP NBL KO	5CB0R12642	
2	UpperCase L 81EVW/KB PG NFP NBL CH	5CB0R12532	
2	UpperCase L 81EVW/KB PG NFP NBL RU	5CB0R12639	
2	UpperCase L 81EVW/KB PG NFPNBLAR-E	5CB0R12590	
2	UpperCase L 81EVW/KB PG NFP NBL HB	5CB0R12328	
2	UpperCase L 81EVW/KB PG NFP NBL TI	5CB0R12258	
2	UpperCase L 81EVW/KB PGNFPNBLINDIA	5CB0R12523	
2	UpperCase L 81EVW/KB PG NFP NBL UA	5CB0R12591	
2	UpperCase L 81EVW/KB PG NFP NBL UK	5CB0R12685	
2	UpperCase L 81EVW/KB PG NFP NBL IT	5CB0R12553	
2	UpperCase L 81EVW/KB PG NFP NBL SP	5CB0R12332	
2	UpperCase L 81EVW/KB PG NFP NBL TR	5CB0R12177	
2	UpperCase L 81EVW/KB PG NFP NBL PO	5CB0R12208	
2	UpperCase L 81EVW/KB PG NFP NBL LA	5CB0R12715	
2	UpperCase L 81EVW/KB PG NFPNBLCF-E	5CB0R12206	
2	UpperCase L 81EVW/KB PG NFP NBL ND	5CB0R12315	
2	UpperCase L 81EVW/KB PG NFP NBL FR	5CB0R12349	
2	UpperCase L 81EVW/KB PG NFP NBL GR	5CB0R12215	
2	UpperCase L 81EVW/KB PG NFP NBL HG	5CB0R12467	
2	UpperCase L 81EVW/KB PG NFP NBL BE	5CB0R12555	
2	UpperCase L 81EVW/KB PG NFPNBL ICE	5CB0R12490	
2	UpperCase L 81EVW/KB PG NFP NBL SA	5CB0R12567	
2	UpperCase L 81EVW/KB PG NFP NBL SW	5CB0R12742	
2	UpperCase L 81EVW/KB PG NFP NBL BU	5CB0R12562	
2	UpperCase L 81EVW/KB PGNFPNBLCZ-SK	5CB0R12466	
2	UpperCase L 81EVW/KB PG NFP NBL BZ	5CB0R12283	
2	UpperCase L 81EVW/KB PGNFPNBLAR-FR	5CB0R12221	
2	UpperCase L 81EVW/KB PG NFP NBL JA	5CB0R12612	
3	MB L 81EV NOK I58250U UMA FP	5B20R12678	
3	MB L 81EV WIN I58250U UMA FP	5B20R12632	
3	MB L 81EV NOK I58250U M13 2G FP	5B20R12703	
3	MB L 81EV WIN I58250U M13 2G FP	5B20R12325	
3	MB L 81EV NOK I58250U M15 2G FP	5B20R12414	
3	MB L 81EV WIN I58250U M15 2G FP	5B20R12289	
3	MB L 81EV NOK I58250U UMA NFP	5B20R12284	

Table 5. Parts list --Overall (continued)

No.	FRU	FRU no.	CRU ID.
3	MB L 81EV WIN I58250U UMANFP	5B20R12197	N
3	MB L 81EV NOK I58250U M13 2GNFP	5B20R12184	
3	MB L 81EV WIN I58250U M13 2GNFP	5B20R12496	
3	MB L 81EV NOK I58250U M15 2GNFP	5B20R12336	
3	MB L 81EV WIN I58250U M15 2GNFP	5B20R12700	
3	MB L 81EV NOK I78550U UMA FP	5B20R12176	
3	MB L 81EV WIN I78550U UMA FP	5B20R12347	
3	MB L 81EV NOK I78550U M13 2G FP	5B20R12443	
3	MB L 81EV WIN I78550U M13 2G FP	5B20R12452	
3	MB L 81EV NOK I78550U M15 2G FP	5B20R12526	
3	MB L 81EV WIN I78550U M15 2G FP	5B20R12324	
3	MB L 81EV NOK I78550U UMA NFP	5B20R12518	
3	MB L 81EV WIN I78550U UMA NFP	5B20R12686	
3	MB L 81EV NOK I78550U M13 2GNFP	5B20R12494	
3	MB L 81EV WIN I78550U M13 2GNFP	5B20R12501	
3	MB L 81EV NOK I78550U M15 2GNFP	5B20R12389	
3	MB L 81EV WIN I78550U M15 2GNFP	5B20R12413	
3	MB L 81EV NOK I38130U UMA FP	5B20R12431	
3	MB L 81EV WIN I38130U UMA FP	5B20R12593	
3	MB L 81EV NOK I38130U M13 2G FP	5B20R12486	
3	MB L 81EV WIN I38130U M13 2G FP	5B20R12319	
3	MB L 81EV NOK I38130U M15 2G FP	5B20R12417	
3	MB L 81EV WIN I38130U M15 2G FP	5B20R12427	
3	MB L 81EV NOK I38130U UMA NFP	5B20R12727	
3	MB L 81EV WIN I38130U UMA NFP	5B20R12217	
3	MB L 81EV NOK I38130U M13 2GNFP	5B20R12374	
3	MB L 81EV WIN I38130U M13 2GNFP	5B20R12174	
3	MB L 81EV NOK I38130U M15 2GNFP	5B20R12265	
3	MB L 81EV WIN I38130U M15 2GNFP	5B20R12533	
4	FAN L 81EU for DIS	5F10R11878	
4	FAN L 81EU for UMA	5F10R11539	
5	Storage SSD PM981 256G M.2 SAM	01FR544	
5	SSMZVLW128HEGR128GPCIESSD	5SD0L73445	
5	StorageSSDPM981PCIe512GSAM	01FR511	
5	SSMZVLW256HEHP256GPCIESSD	5SD0L73444	
5	StorageSSDPC401256GM.2Hynix	01FR537	
5	StorageSSDPC401512GM.2Hynix	01FR538	
6	16GBDDR42666SoDIMM,Samsung	01AG838	
6	8GBDDR42666SoDIMM,Micron	01AG841	
6	4GBDDR42666SoDIMM,Samsung	01AG836	
6	16GBDDR42666SOIMM,Hynix	01AG825	
6	4GBDDR42666SoDIMM,Micron	01AG831	
6	8GBDDR42666SoDIMM,Samsung	01AG837	
6	4GBDDR42666SOIMM,Hynix	01AG823	
6	8GBDDR42666SOIMM,Hynix	01AG824	
6	16GBDDR42666SoDIMM,Micron	01AG842	

Table 5. Parts list --Overall (continued)

No.	FRU	FRU no.	CRU ID.	
6	16GBDDR42666SoDIMM,Ramaxel	01AG844	N	
6	8GBDDR42666SoDIMM,Ramaxel	01AG843		
7	I/O Board L 81EV W/FFC	5C50R12213		
8	Heatsink L 81EU KBL_R for UMA	5H40R11640		
8	Heatsink L 81EU KBL_R for DIS	5H40R11969		
9	Wireless,CMB,LTN,NFA435A	01AX709		
9	Wireless,CMB,FXN,8822BEM2	01AX712		
9	Wireless,CMB,CBT,8821CE	01AX710		
9	Wireless,CMB,IN,3165ac	00JT497		
9	Wireless,CMB,IN,8265NVM2	01AX704		
10	CP/CL17C4PB07.68V45Wh4cell	5B10Q16067		
10	CP/CL17C4PB011.52V34Wh3cell	5B10Q22882		
11	530S-15Veco1224Speaker	5SB0Q58519		
11	530S-15YG1224Speaker	5SB0Q99443		
12	Lower Case L 81EV IG	5CB0R12621		
12	Lower Case L 81EV LB	5CB0R12292		
12	Lower Case L 81EV COP	5CB0R12550		
12	Lower Case L 81EV PG	5CB0R12256		
—	AC adapter (see “AC adapters” on page 108).			

LCD FRUs

ideapad 530S-14IKB

In Lenovo ideapad 530S-14IKB/ideapad 530S-15IKB, there is following type of LCD.

- “15.6-in. HD LED”

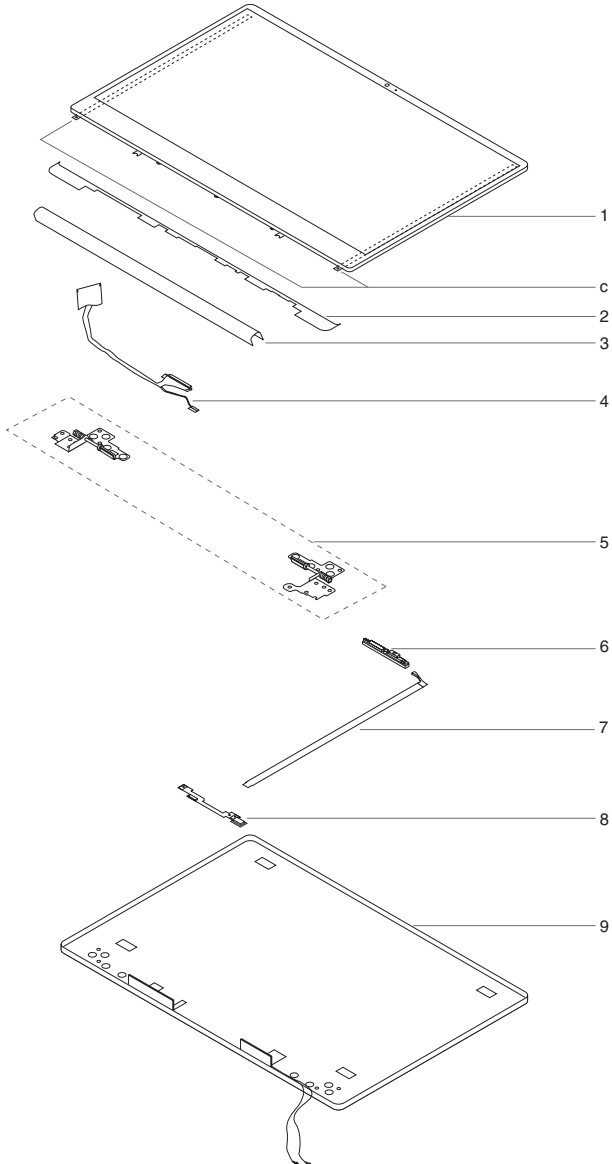


Table 6. Parts list—LCD FRUs

ideapad 530S-14IKB

No.	FRU	FRU no.	CRU ID.
1	LCD Module L 81EU FHD	5D10R06217	N
1	LCD Module L 81EU WQHD	5D10R06216	
1	LG LP140WF8-SPP1 FHDI AG S NB	5D10P96009	
1	AU B140HAN04.0 1A FHDI AG S NB	5D10M42862	
2	Hinge Cover L 81EU OB	5CB0R12134	
2	Hinge Cover L 81EU LB	5CB0R12005	
2	Hinge Cover L 81EU COP	5CB0R11543	
2	Hinge Cover L 81EU MGR	5CB0R11796	
3	Strip Cover L 81EU For Glass	5CB0R20138	
4	EDP Cable L 81EU FHD	5C10R12120	
4	EDP Cable L 81EU WQHD	5C10R11803	
5	Hinge L 81EU L+R for normal	5H50R11577	
5	Hinge L 81EU L+R for glass	5H50R11537	
6	Camera,720P,Front,Slim,WTB,Azw	01HW046	
6	Camera,720P,Front,Slim,WTB,Chy	01HW045	
6	Camera,720P,Front,Slim,WTB,Bsn	01HW044	
6	Camera,720P,Front,Slim,WTB,AVC	01HW047	
7	Camera Cable L 81EU	5C10R20139	
8	MIC Board L 81EV	5C50R19724	
9	LCD COVER L 81EU OB FHDNormalW/Ant	5CB0R11597	
9	LCD COVER L 81EU OB WQHDGlassW/Ant	5CB0R11641	
9	LCD COVER L 81EU LB FHDNormalW/Ant	5CB0R11705	
9	LCD COVER L 81EU LB WQHDGlassW/Ant	5CB0R12131	
9	LCD COVER L 81EU COPFHDNormalW/Ant	5CB0R12016	
9	LCD COVER L 81EU COPWQHDGlassW/Ant	5CB0R11794	
9	LCD COVER L 81EU MGR FHDGlassW/Ant	5CB0R11889	
9	LCD COVER L 81EU MGRWQHDGlassW/Ant	5CB0R11932	
9	LCD COVER L 81EU MGRFHDNormalW/Ant	5CB0R20135	
9	LCD COVER L 81EU OB FHDGlassW/Ant	5CB0R20131	
9	LCD COVER L 81EU LB FHDGlassW/Ant	5CB0R20136	
9	LCD COVER L 81EU COPFHDGlassW/Ant	5CB0R20137	

ideapad 530S-15IKB

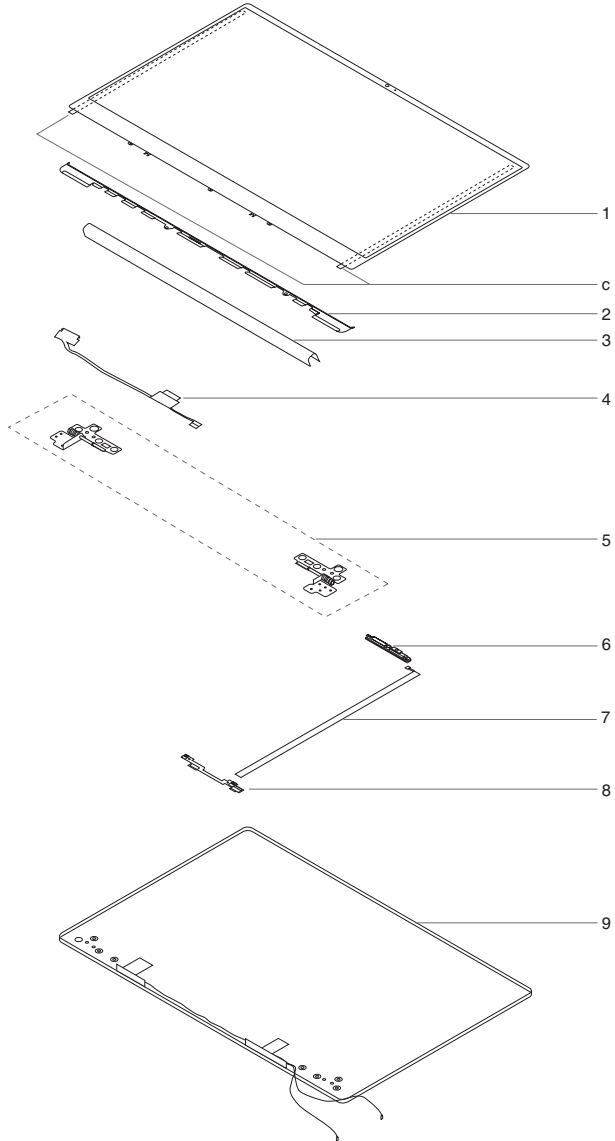


Table 7. Parts list --LCD FRUs

ideapad 530S-15IKB

No.	FRU	FRU no.	CRU ID.
1	LG LP156WF9-SPK1 FHDI AG S NB	5D10M42873	N
1	LCD Module L 81EV FHD	5D10R06098	
1	IN N156HCA-EAB C1 FHDI AG S NB	5D10M42881	
2	Hinge Cover L 81EV OB	5CB0R12504	
2	Hinge Cover L 81EV LB	5CB0R12303	
2	Hinge Cover L 81EV COP	5CB0R12251	
2	Hinge Cover L 81EV MGR	5CB0R12579	
3	Strip Cover L 81EV	5CB0R19726	
4	EDP Cable L 81EV W/TP	5C10R12357	
5	Hinge L 81EV R+L Normal	5H50R12300	
5	Hinge L 81EV R+L Glass	5H50R12271	
6	Camera,720P,Front,Slim,WTB,Azw	01HW046	
6	Camera,720P,Front,Slim,WTB,Chy	01HW045	
6	Camera,720P,Front,Slim,WTB,Bsn	01HW044	
6	Camera,720P,Front,Slim,WTB,AVC	01HW047	
7	CameraCable L 81EV	5C10R19725	
8	MIC Board L 81EV	5C50R19724	
9	LCD Cover L 81EV OB Nor W/Antenna	5CB0R12242	
9	LCD Cover L 81EV OB GlassW/Antenna	5CB0R12350	
9	LCD Cover L 81EV LB Nor W/Antenna	5CB0R12470	
9	LCD Cover L 81EV LB GlassW/Antenna	5CB0R12261	
9	LCD Cover L 81EV COP Nor W/Antenna	5CB0R12582	
9	LCD Cover L81EV COP GlassW/Antenna	5CB0R12724	
9	LCD Cover L 81EV MGR Nor W/Antenna	5CB0R12578	
9	LCD Cover L81EV MGR GlassW/Antenna	5CB0R12705	

Miscellaneous parts

ideapad 530S-14IKB

Table 8. Parts list—Miscellaneous parts

FRU	FRU no.	CRU ID.
System miscellaneous parts:		
• (a) SSD SHIELDING L 81EU	5S60R11928	N
• (b) DIMM SHIELDING L 81EU	5S60R11665	
• (c) Removable Tape L 81EU For Normal	5T10R20132	
• (c) Removable Tape L 81EU For Glass	5T10R20133	
Note: Italicized letters in parentheses are references to the exploded view in "Overall" on page 75.		

ideapad 530S-15IKB

Table 9. Parts list --Miscellaneous parts

FRU	FRU no.	CRU ID.
System miscellaneous parts:		
• (a) SSD SHIELDING L 81EU	5S60R11928	N
• (b) DIMM SHIELDING L 81EU	5S60R11665	
• (c) Removable Tape L 81EU for Glass	5T10R11663	
• (c) Removable Tape L 81EU for Normal	5T10R12075	
Note: Italicized letters in parentheses are references to the exploded view in "Overall" on page 90.		

AC adapters

Table 10. Parts list—AC adapters

FRU	P/N	CRU ID.
ADLX65CLGR2A 20V3.25A COO	01FR148	*
ADLX65CCGR2A 20V3.25A COO	01FR157	
ADLX65CCGK2A 20V3.25A COO	01FR155	
ADLX65CDGR2A 20V3.25A COO	01FR140	
ADLX65CDGK2A 20V3.25A COO	01FR138	
ADLX65CDGG2A 20V3.25A COO	01FR136	
ADLX65CCGG2A 20V3.25A COO	01FR153	
ADLX65CLGG2A 20V3.25A COO	01FR145	
ADLX65CLGK2A 20V3.25A COO	01FR037	
ADLX65NCC3A 20V3.25A RCOO	01FR051	
ADLX65NDC3A 20V3.25A RCOO	01FR040	
ADLX65CLGE2A 20V3.25A COO	01FR150	
ADLX65CDGE2A 20V3.25A COO	01FR142	
ADLX65CCGE2A 20V3.25A COO	01FR159	
ADLX65CCGU2A 20V3.25A COO	01FR154	
ADLX65CDGU2A 20V3.25A COO	01FR137	
ADLX65CCGC2A 20V3.25A COO	01FR152	

Table 10. Parts list—AC adapters (continued)

FRU	P/N	CRU ID.
ADLX65CLGU2A 20V3.25A COO	01FR146	
ADLX65CCGB2A 20V3.25A COO	01FR160	
ADLX65CCGI2A 20V3.25A COO	01FR156	
ADLX65CLGI2A 20V3.25A COO	01FR147	
ADLX65CLGB2A 20V3.25A COO	01FR151	
ADLX65CLGC2A 20V3.25A COO	01FR144	
ADLX65CDGB2A 20V3.25A COO	01FR143	
ADLX65CDGC2A 20V3.25A COO	01FR135	
ADLX65NLC3A 20V3.25A R	5A10J40449	
ADLX65CDGI2A 20V3.25A COO	01FR139	
ADLX65CCGA2A 20V3.25A COO	01FR158	
ADLX65CDGA2A 20V3.25A COO	01FR141	
ADLX65CLGA2A 20V3.25A COO	01FR149	
TW,1M,3P,NON-LH,LTK	00HM693	
lux 0041+H03VV-F 0.75/3C+0011 1m cord	145500012	
Fru, LINECORD,TW,1M,3P,NON-LH	01YW107	
lux 0014+SPT-2 60□ 18/3C+0016 1m cord	145500002	*
lux 0018(E)+VCTF 0.75/3C+0021 1m cord	145500005	
lux 0014+H03VV-F 0.75/3C+0011	5L60J33143	
lux 0034+H03VV-F 0.75/3C+0011 1m cord	145500011	
lux 0019+VCTF 0.75/3C+0021 1m cord	145500007	
lux 0044+H03VV-F 0.75/3C+0011 1m cord	145500010	
lux 0046+IS694 0.75/3C+0011 1m cord	145500004	
lux 0029+H03VV-F 0.75/3C+0011 1m cord	145500009	
lux 0033+H03VV-F 0.75/3C+0011 1m cord	145500008	
lux 0031+H03VV-F 0.75/3C+0011 1m cord	145500000	
lux 0033+H03VV-F 0.75/3C+0011 1m cord	145500001	
Fru, LINECORD,TW,1M,3P,NON-LH	01YW105	
lux 0027+H03VV-F 0.75/3C+0011 1m cord	145500013	
lux 0038+H03VV-F 0.75/3C+0011 1m cord	145500006	
lux0036+RVV 300/300 0.75/3C+0002 1m cord	145500003	
lux 0040+H03VV-F 0.75/3C+0011 1m cord	145500015	
Fru, LINECORD,TW,1M,3P,NON-LH	01YW103	

Screws

Table 11. Parts list—screws

FRU	P/N	CRU ID.
Screw L 81EU 1.6D 2.5L K 3.5D 0.3T	5S10R12069	
Screw L 81EU 2.0D 2.2L K 8.0D 0.5T	5S10R12089	
Screw L 81EU 2.0D 6.5L K 3.4D 0.4T	5S10R11672	N
Screw L 81EK 3.5L 4.5D 0.5T ZK +	5S10R08720	
Screw L 81EK 4L 4.5D 0.8T BNI NL	5S10R19602	

Notices

Lenovo may not offer the products, services, or features discussed in this document in all countries. Consult your local Lenovo representative for information on the products and services currently available in your area. Any reference to a Lenovo product, program, or service is not intended to state or imply that only that Lenovo product, program, or service may be used. Any functionally equivalent product, program, or service that does not infringe any Lenovo intellectual property right may be used instead. However, it is the user's responsibility to evaluate and verify the operation of any other product, program, or service.

Lenovo may have patents or pending patent applications covering subject matter described in this document. The furnishing of this document does not give you any license to these patents.

LENOVO GROUP LTD. PROVIDES THIS PUBLICATION "AS IS" WITHOUT WARRANTY OF ANY KIND, EITHER EXPRESS OR IMPLIED, INCLUDING, BUT NOT LIMITED TO, THE IMPLIED WARRANTIES OF NON-INFRINGEMENT, MERCHANTABILITY OR FITNESS FOR A PARTICULAR PURPOSE. Some jurisdictions do not allow disclaimer of express or implied warranties in certain transactions, therefore, this statement may not apply to you.

This information could include technical inaccuracies or typographical errors. Changes are periodically made to the information herein; these changes will be incorporated in new editions of the publication. Lenovo may make improvements and/or changes in the product(s) and/or the program(s) described in this publication at any time without notice.

The products described in this document are not intended for use in implantation or other life support applications where malfunction may result in injury or death to persons. The information contained in this document does not affect or change Lenovo product specifications or warranties. Nothing in this document shall operate as an express or implied license or indemnity under the intellectual property rights of Lenovo or third parties. All information contained in this document was obtained in specific environments and is presented as an illustration. The result obtained in other operating environments may vary.

Lenovo may use or distribute any of the information you supply in any way it believes appropriate without incurring any obligation to you.

Any references in this publication to non-Lenovo Web sites are provided for convenience only and do not in any manner serve as an endorsement of those Web sites. The materials at those Web sites are not part of the materials for this Lenovo product, and use of those Web sites is at your own risk.

Any performance data contained herein was determined in a controlled environment. Therefore, the result obtained in other operating environments may vary significantly. Some measurements may have been made on development-level systems and there is no guarantee that these measurements will be the same on generally available systems. Furthermore, some measurements may have been estimated through extrapolation. Actual results may vary. Users of this document should verify the applicable data for their specific environment.

Trademarks

The following term is a trademark or registered trademark of Lenovo in the United States, other countries, or both.

Lenovo

Microsoft and Windows are trademarks of Microsoft Corporation in the United States, other countries, or both.

Other company, products, or service names may be trademarks or service marks of others.