

***lenovo***

# Lenovo TAB A7-30

Quick Start Guide v1.0



Read this guide carefully before using your tablet.

# Technical specifications



## Model and system

Model: Lenovo A3300-HV  
Version: WLAN+3G (Voice)  
System: Android

Lenovo A3300-H  
WLAN+3G (Data only)



## Size and weight

Height: 198 mm    Width: 119.8 mm    Depth: 10.45 mm  
Weight: about 327 g



## CPU

CPU: MT8382 Quad Core 1.3 GHz



## Camera

Type: CMOS  
Pixels: 2.0 MP (back)+ 0.3 MP (front)



## Power and battery

Battery: 3500 mAh



## Display

Size: 7 inches (diagonal)  
Resolution: 1024 × 600

Screen: Multi-touch display  
LCD type: TN



## Wireless communication

Bluetooth 4.0    WLAN 802.11b/g/n    WCDMA, GSM

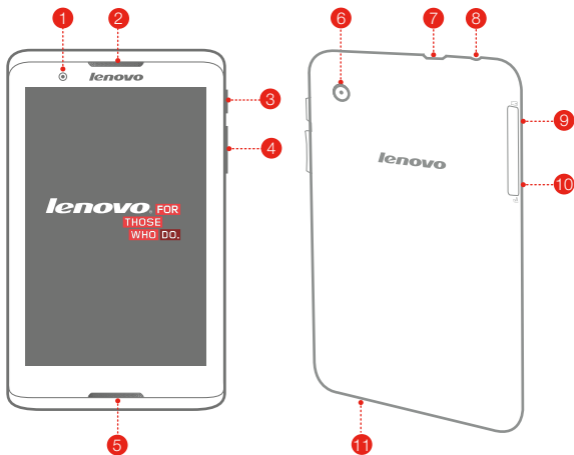


## GPS



① Actual product may differ.

## First glance



1 Front camera

2 Receiver / Speaker

3 On/Off button

4 Volume key

5 Speaker

6 Back camera

7 Micro USB

8 Earphone jack

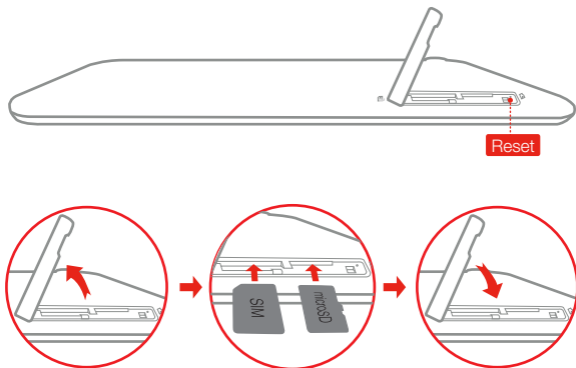
9 microSD card slot

10 SIM card slot

11 Microphone

## Installing the SIM card & microSD card

You can use cellular services by inserting the SIM card provided by your carrier services. Install the SIM card and microSD as shown.



**Step 1.** Open the microSD card slot cover as shown.

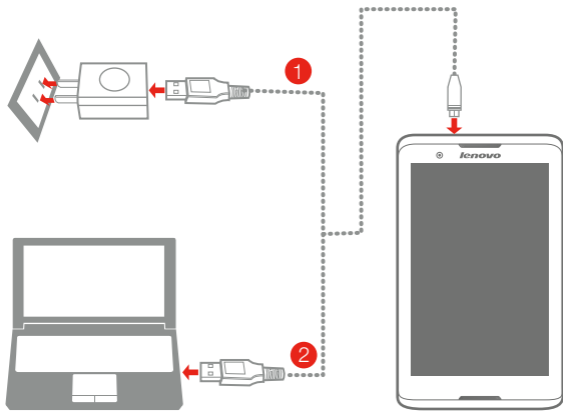
**Step 2.** Place the SIM card into the SIM card slot and the microSD card into the microSD card slot.

**Step 3.** Carefully replace the slot cover.

ⓘ Do not insert or remove the SIM card while your tablet is turned on. Doing so may permanently damage your SIM card or tablet.


## Charging and turning on/off your tablet

Before using your tablet, you might need to charge the battery. Charge the battery as shown.





**Method 1.** Connect your tablet to a power outlet using the included cable and USB power adapter.

**Method 2.** Charge the battery using a computer.

 Low battery

 Charging

 Fully charged

 For more information about battery safety, see the *Important Product Information Guide*.

## Learn more

For other useful manuals, please access "User Guide" from the Browser favorites in your tablet.

For "Regulatory Notices", please go to <http://support.lenovo.com/>.

### Getting support

For support on network service and billing, please contact your wireless network operator. For instructions on how to use your tablet, go to

<http://support.lenovo.com/>.

### European Union conformity



#### Radio and Telecommunications Terminal Equipment Directive

This product is in compliance with the essential requirements and other relevant provisions of the Radio and Telecommunications Terminal Equipment Directive, 1999/5/EC.

### Legal notices

Lenovo and the Lenovo logo are trademarks of Lenovo in the United States, other countries, or both.

Other company, product, or service names may be trademarks or service marks of others.

Manufactured under license from Dolby Laboratories. Dolby and the double-D symbol are trademarks of Dolby Laboratories.

First Edition (July 2014) © Copyright Lenovo 2014.

### Reduce | Reuse | Recycle



XXXXXXXXXXXX

Printed in China