

ideacentre AIO 520 Series Quick Start Guide



The following information refers to ideacentre AIO 520 machine type:
F0D0 [AIO 520-271KL/Energy Star] / F0D1 [AIO 520-241KL/Energy Star]
F0D2 [AIO 520-241KU/Energy Star] / F0D3 [AIO 520-24AST/Energy Star]
F0D4 [AIO 520-221KL/Energy Star] / F0D5 [AIO 520-221KU/Energy Star]
F0D6 [AIO 520-22AST/Energy Star]

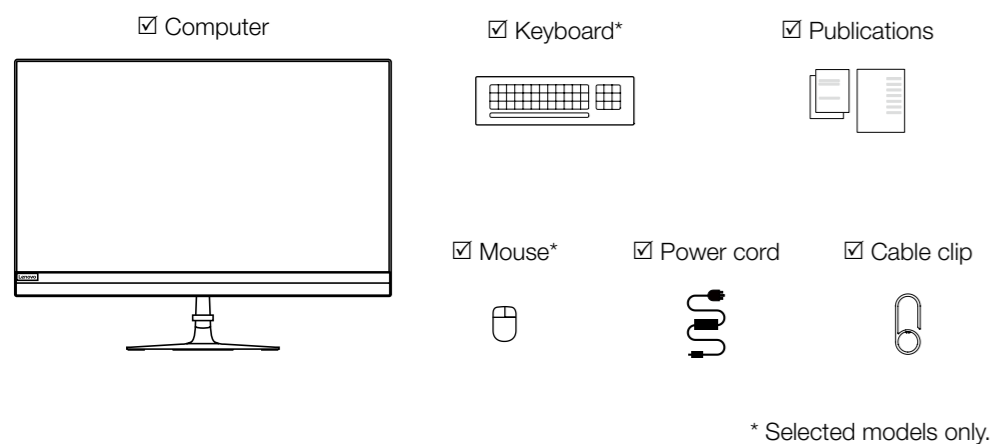
The descriptions in this guide might be different from what you see on your computer, depending on the computer model and configuration.
Product design and specifications may be changed without notice.

Lenovo, the Lenovo logo and ideacentre are trademarks of Lenovo in the United States, other countries, or both.
Windows is a trademark of the Microsoft group of companies.
Other company, product, or service names may be trademarks or service marks of others.

© Copyright Lenovo 2017. LIMITED AND RESTRICTED RIGHTS NOTICE: If data or software is delivered pursuant to a General Services Administration "GSA" contract, use, reproduction, or disclosure is subject to restrictions set forth in Contract No. GS-35F-05925.

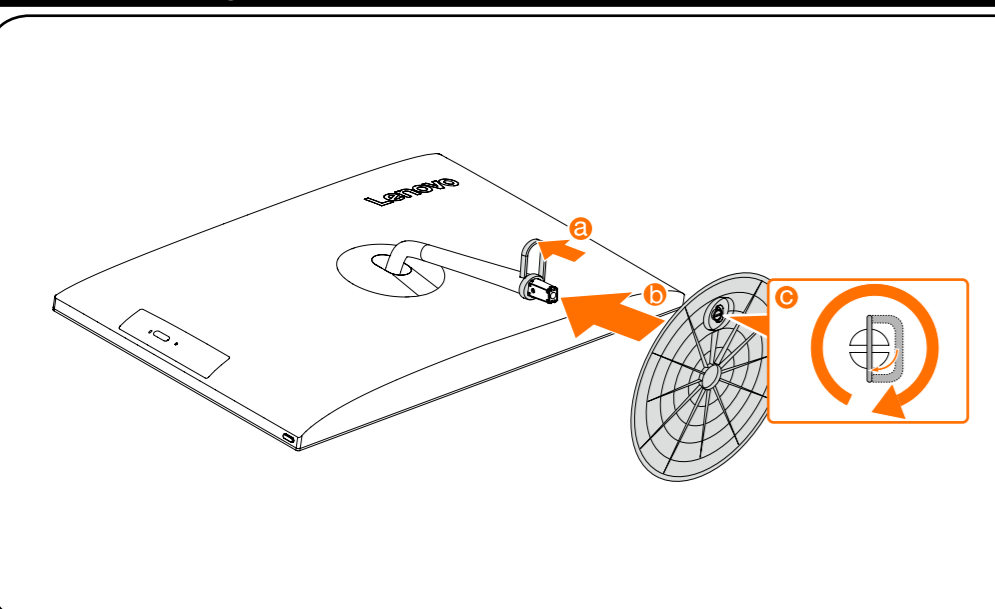


1 Unpacking

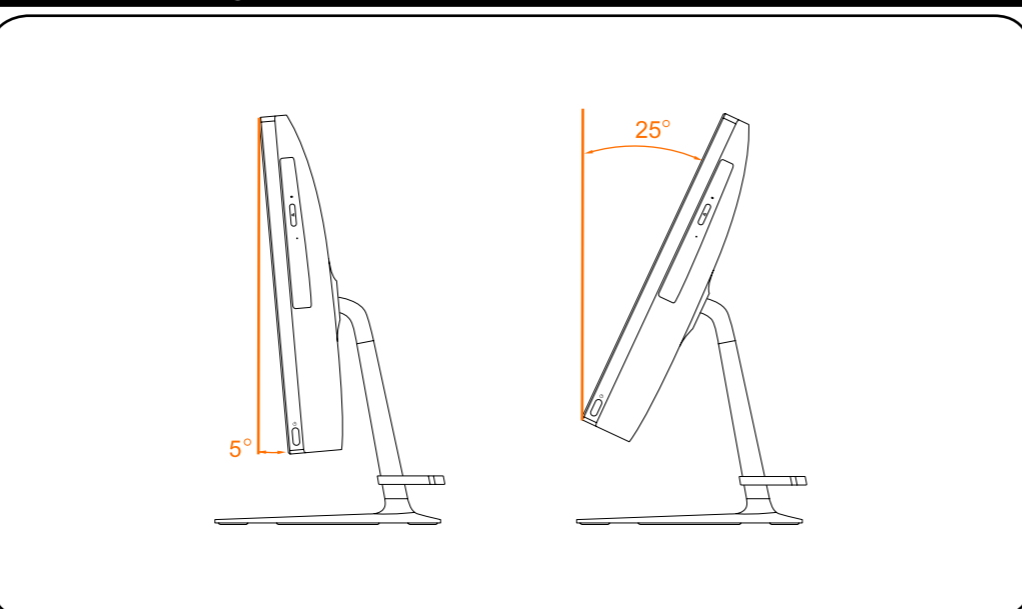


NOTE: Some models may contain items not listed here.

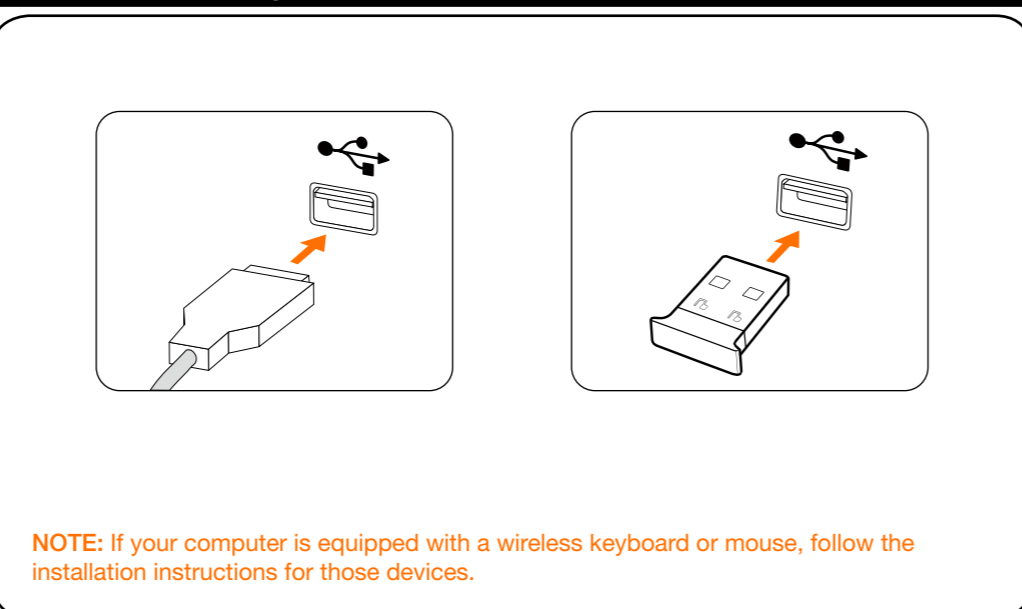
2 Installing the stand base



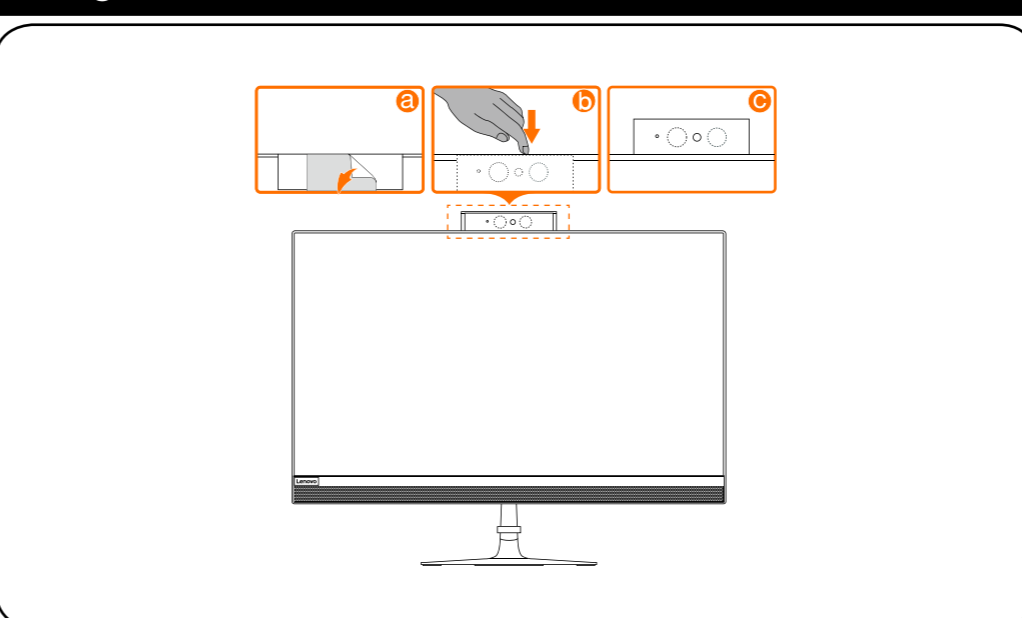
3 Adjusting the computer stand



4 Connecting the keyboard and mouse



Integrated camera



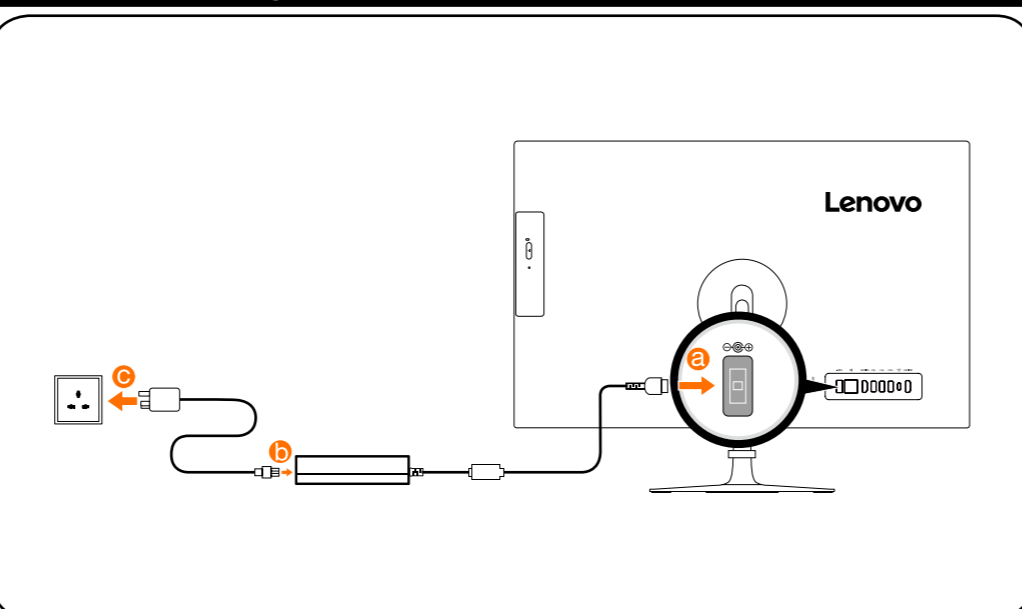
Windows help system

The Windows help system provides you with detailed information about using the Windows operating system.
To access the Windows help system, do the following:
Open the Start menu and then click or tap **Get Started** to get more details.
You can also enter **Get Started** or what you're looking for in the search box on the taskbar.
You'll get suggestions and answers to your questions about Windows and the best search results available from your PC and the Internet.

To perform system recovery after a serious error in Windows 10, click or tap the Start button and select **Settings** → **Update & security** → **Recovery**. Then, follow the instructions on the screen for system recovery.

ATTENTION: The Windows operating system is provided by Microsoft Corporation. Please use it in accordance with the **END USER LICENSE AGREEMENT (EULA)** between you and Microsoft. For any question related to the operating system, please contact Microsoft directly.

5 Connecting the power cable



Connecting to the Internet

You need a contract with an Internet Service Provider (ISP) and some hardware in order to connect to the Internet. ISPs and the services they offer vary by country. Contact your ISP for services available in your country. Your computer supports wireless (selected models only) or wired networks that connect your computer to other devices.

Wired network connection

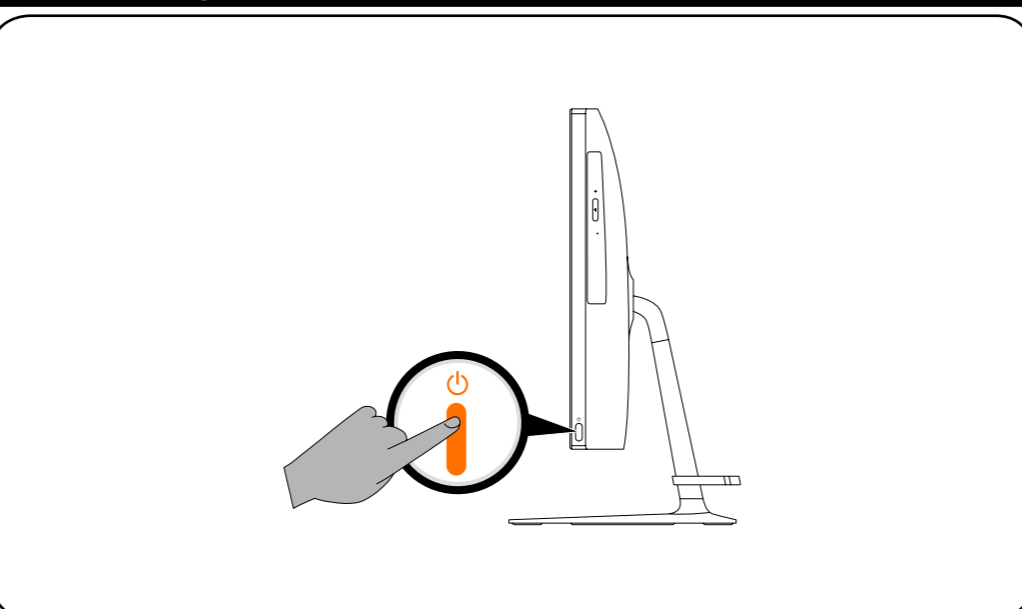
For wired networks, connect one end of an Ethernet cable (purchased separately) to the Ethernet connector on your computer, and then connect the other end to the network router or broadband modem. Consult your ISP for detailed setup instructions.

NOTE: Broadband modem and router installation procedures vary depending on the manufacturer. Follow the manufacturer's instructions.

Wireless network connection

For wireless networks, you can use the built-in Wi-Fi antenna to access your wireless home network.
To connect your computer to the wireless network:
Click or tap the network icon on the taskbar, then select the name of your router. Click or tap **Connect**, then follow the steps on the screen.
Test the wireless network by opening your Web browser and accessing any Web site.

6 Turning on the computer



Service and Support information

The following information describes the technical support that is available for your product, during the warranty period or throughout the life of your product. Refer to the Lenovo Limited Warranty for a full explanation of Lenovo warranty terms. See "Lenovo Limited Warranty notice" later in this document for details on accessing the full warranty. If you purchased Lenovo services, refer to the following terms and conditions for detailed information:
- For Lenovo Warranty Service Upgrades or Extensions, go to: <http://support.lenovo.com/lwsu>
- For Lenovo Accidental Damage Protection Services, go to: <http://support.lenovo.com/ladps>
- Online technical support is available during the lifetime of a product at: <http://www.lenovo.com/support>

Accessing other manuals

The *Important Product Information Guide* has been preloaded onto your computer. To access this guide, do the following:

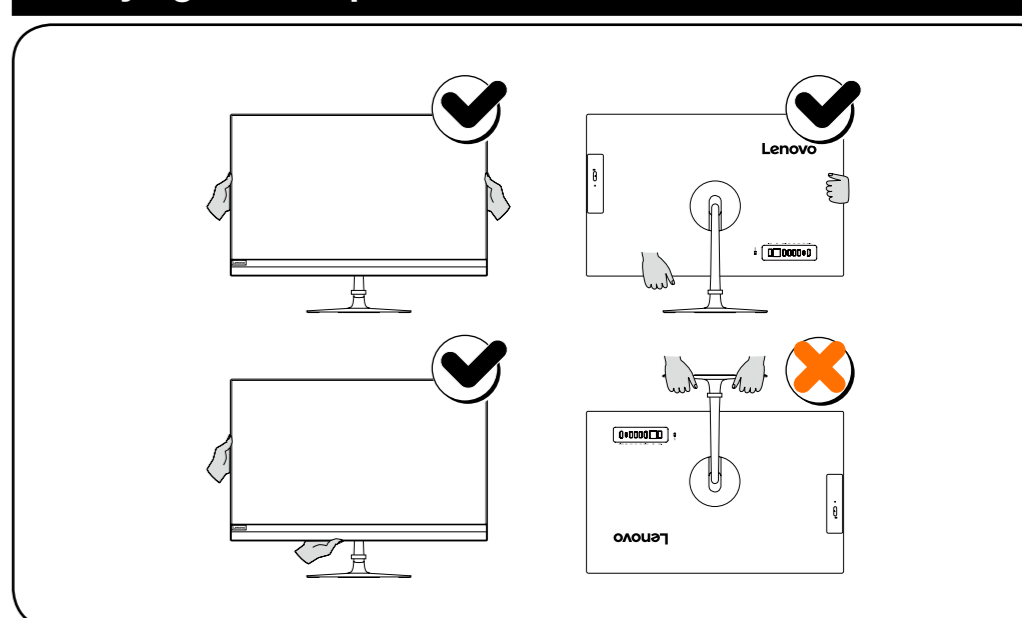
- For models come with Lenovo Companion:**
1. Open the Start menu and then click or tap **Lenovo Companion**.
 2. Click or tap **Support** → **User Guide**.

For models without Lenovo Companion:
Open the Start menu and then click or tap **Manual** to access this guide.

For models without preinstalled operating systems:
Go to the Lenovo Support Web site to access your manuals. See "Downloading manuals" for additional information.

Downloading manuals
The latest electronic publications for your computer are available from the Lenovo Support Web site. To download the publications, go to: www.lenovo.com/UserManuals.

Carrying the computer



Replacing or upgrading hardware

Safety information for replacing CRUs

Do not open your computer or attempt any repairs before reading the "Important safety information" in the *Safety, Warranty, Environment, Recycling Information Guide* and *Important Product Information Guide* that was included with your computer.
If you no longer have this copy of the *Safety, Warranty, Environment, Recycling Information Guide* and *Important Product Information Guide*, you can obtain one online from the website at <http://www.lenovo.com/UserManuals>.

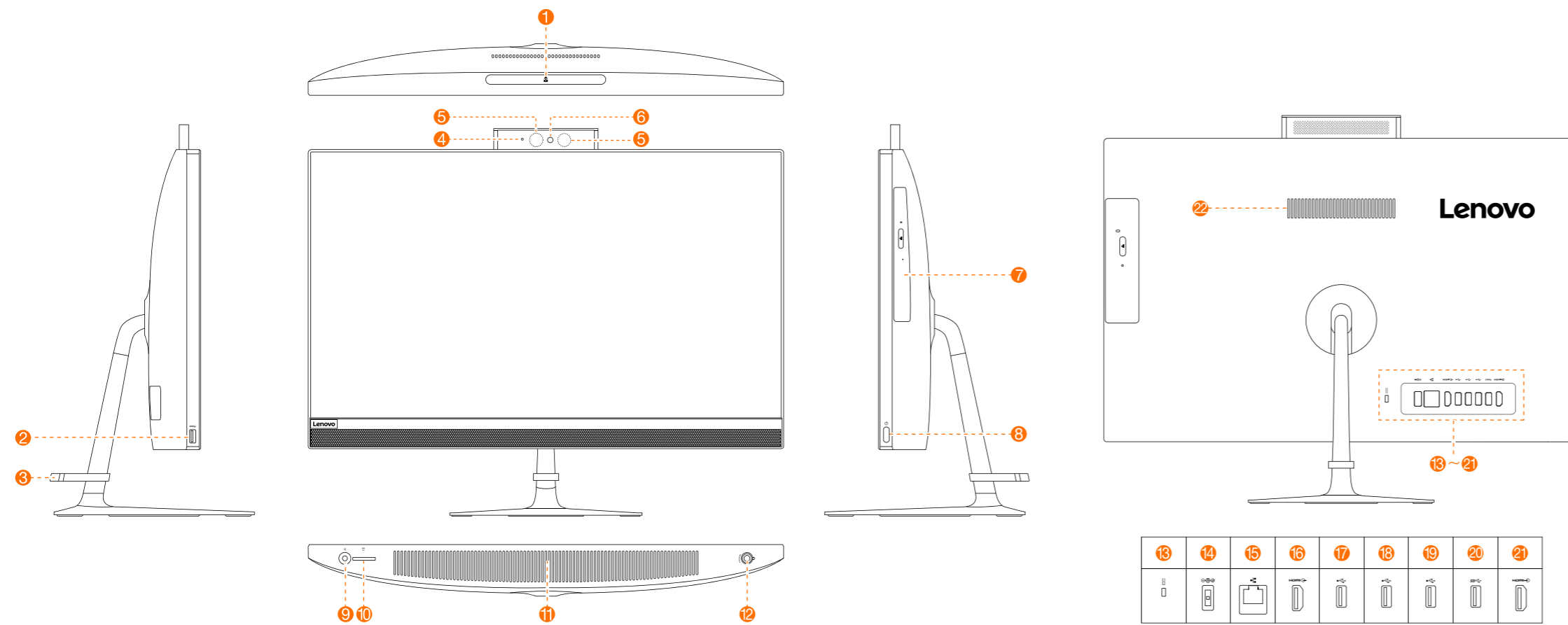
Pre-disassembly instructions

- Before proceeding with the disassembly procedure, make sure that you do the following:
1. Turn off the power to the system and all peripherals.
 2. Unplug all power and signal cables from the computer.
 3. Place the system on a flat, stable surface.

The CRUs for your computer include: keyboard, mouse, adapter or power cord.

Overview

AIO 520-22IKL / AIO 520-22IKU / AIO 520-22AST
AIO 520-24IKL / AIO 520-24IKU / AIO 520-24AST



- 1 Built-in camera
- 2 USB 3.0 connector
- 3 Cable clip
- 4 Camera LED indicator
- 5 Infrared LEDs (selected models only)
- 6 Built-in camera
- 7 Optical drive (selected models only)
- 8 Power button
- 9 Combo audio jack*
- 10 Memory card reader
- 11 Air vents
- 12 Screw
- 13 Security cable slot
- 14 Power connector
- 15 Ethernet connector
- 16 HDMI-out connector
- 17 USB 2.0 connector
- 18 USB 2.0 connector
- 19 USB 2.0 connector
- 20 USB 3.0 connector
- 21 HDMI-in connector (selected models only)
- 22 Air vents

* Combo audio jack: Used to connect headsets.

Declaration of conformity to EU Directive 2014/53/EU

Product Name	Wireless Modules
ideacentre AIO 520-27IKL	QCNFA435, 3165NGW, 8821CE
ideacentre AIO 520-22IKL	QCNFA435, RTL8821CE, 3165NGW
ideacentre AIO 520-22IKU	QCNFA435, RTL8821CE, 3165NGW
ideacentre AIO 520-22AST	QCNFA435, RTL8821CE
ideacentre AIO 520-24IKL	QCNFA435, RTL8821CE, 3165NGW
ideacentre AIO 520-24IKU	QCNFA435, RTL8821CE, 3165NGW
ideacentre AIO 520-24AST	QCNFA435, RTL8821CE

Frequency band (MHz)	Maximum transmit power (dBm) Less than
WLAN 802.11b/g/n, 2400 - 2483.5	20
WLAN 802.11a/n/ac, 5150 - 5725	23
WLAN 802.11a/n/ac, 5725 - 5875	13.98
Bluetooth BR/EDR/LE, 2400 - 2483.5	20
WiHD 802.15.3c, 59400 - 63560	29 dBm (Max. RMS EIRP)

European Union conformity

EU contact: Lenovo, Einsteinova 21, 851 01 Bratislava, Slovakia

Compliance with the Radio Equipment Directive

Effective June 13, 2017, all products entering the EU that contain wireless radios now comply with the Radio Equipment Directive, 2014/53/EU. Disregard all current statements in other publications that relate to the R&TTE Directive, as they no longer apply to your product.

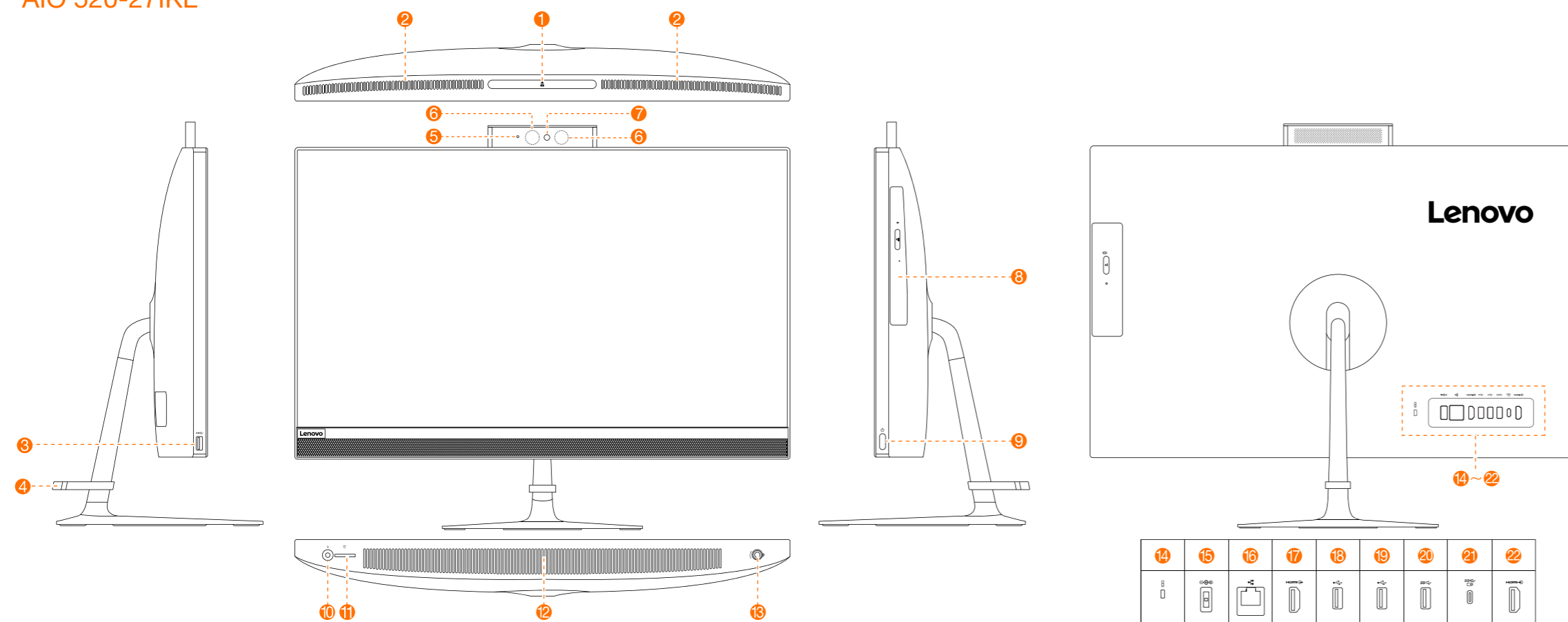
Hereby, Lenovo (Singapore) Pte. Ltd., declares that the radio equipment types listed at the beginning of this document are in compliance with Directive 2014/53/EU.

The full text of the system EU declaration of conformity and the EU wireless module declarations are available at the following Internet address:

http://www3.lenovo.com/us/en/social_responsibility/EU_DoC_desktops/

This radio equipment operates with frequency bands and maximum radio-frequency power as listed at the beginning of this document.

AIO 520-27IKL



- 1 Built-in camera
- 2 Air vents
- 3 USB 3.0 connector
- 4 Cable clip
- 5 Camera LED indicator
- 6 Infrared LEDs (selected models only)
- 7 Built-in camera
- 8 Optical drive (selected models only)
- 9 Power button
- 10 Combo audio jack*
- 11 Memory card reader
- 12 Air vents
- 13 Screw
- 14 Security cable slot
- 15 Power connector
- 16 Ethernet connector
- 17 HDMI-out connector
- 18 USB 2.0 connector
- 19 USB 2.0 connector
- 20 USB 3.0 connector
- 21 USB 3.0 Type-C connector/USB power off charging connector
- 22 HDMI-in connector (selected models only)

* Combo audio jack: Used to connect headsets.

ATTENTIONS:

- Be sure not to block any air vents on the computer. Blocked air vents may cause thermal problems.
- If your computer is equipped with an infrared (IR) remote control, do not put the USB IR receiver on the same plane as the screen.

NOTES:

- Remove the plastic film before using the computer.
- The combo audio jack does not support conventional microphones.
- Different industry standards may lead to the recording function not being supported if third-party headphones or headsets are connected.