



IdeaCentre A730  
Hardware Maintenance Manual



ideaideaideaCentreidea

Machine Types: 10123/F0A0 [A730]





IdeaCentre A730  
Hardware Maintenance Manual

Machine Types: 10123/F0A0 [A730]

**Second Edition (June 2013)6th**

**© Copyright Lenovo 2013.**

LIMITED AND RESTRICTED RIGHTS NOTICE: If data or software are delivered pursuant a General Services Administration "GSA" contract, use, reproduction, or disclosure is subject to restrictions set forth in Contract No. GS-35F-05925

---

# Contents

|  |           |   |           |
|--|-----------|---|-----------|
| <b>Chapter 1. About this manual . . . . .</b>                            | <b>1</b>  | General information . . . . .                       | 29        |
| Important Safety Information . . . . .                                   | 1         | Replacing the keyboard and mouse . . . . .          | 30        |
| <b>Chapter 2. Safety information . . . . .</b>                           | <b>3</b>  | Replacing the power cord or power adapter . . . . . | 30        |
| General safety . . . . .   | 3         | Removing the base cover . . . . .                   | 31        |
| Electrical safety . . . . .  | 3         | Replacing the hard disk drive . . . . .             | 32        |
| Safety inspection guide . . . . .  | 5         | Replacing a memory module . . . . .                 | 34        |
| Handling electrostatic discharge-sensitive devices . . . . .             | 5         | Replacing the system fan . . . . .                  | 34        |
| Grounding requirements . . . . .   | 6         | Replacing the heat-sink . . . . .                   | 35        |
| Safety notices . . . . .   | 6         | Replacing the CPU . . . . .                         | 36        |
| <b>Chapter 3. General information . . . . .</b>                          | <b>9</b>  | Replacing the optical drive . . . . .               | 38        |
| Specifications . . . . .   | 9         | Replacing the solid state disk . . . . .            | 40        |
| <b>Chapter 4. General Checkout . . . . .</b>                             | <b>11</b> | Replacing the optical drive eject board . . . . .   | 40        |
| <b>Chapter 5. Using the Setup Utility. . . . .</b>                       | <b>13</b> | Replacing the motherboard . . . . .                 | 41        |
| Starting the Lenovo BIOS Setup Utility program . . . . .                 | 13        | Replacing the speaker system . . . . .              | 43        |
| Viewing and changing settings . . . . .                                  | 13        | Replacing the TV tuner card . . . . .               | 45        |
| Using passwords. . . . .   | 13        | Replacing the battery . . . . .                     | 46        |
| Enabling or disabling a device . . . . .                                 | 15        | Removing the hinge from the chassis. . . . .        | 47        |
| Selecting a startup device . . . . .                                     | 16        | Removing the rear cover . . . . .                   | 49        |
| Exiting the Lenovo BIOS Setup Utility program . . . . .                  | 17        | Replacing the scalar board . . . . .                | 50        |
| <b>Chapter 6. Symptom-to-FRU Index . . . . .</b>                         | <b>19</b> | Replacing the touch control board . . . . .         | 52        |
| Hard disk drive boot error . . . . .                                     | 19        | Replacing the converter board . . . . .             | 53        |
| Power Supply Problems . . . . .  | 19        | Replacing the power switch board . . . . .          | 54        |
| POST error codes . . . . .   | 20        | Replacing the Bluetooth module. . . . .             | 55        |
| Undetermined problems . . . . .  | 20        | Replacing the WLAN card . . . . .                   | 56        |
| <b>Chapter 7. Locating connectors, controls and components . . . . .</b> | <b>21</b> | Replacing the camera . . . . .                      | 57        |
| <b>Chapter 8. Replacing hardware . . . . .</b>                           | <b>29</b> | Replacing the front function board . . . . .        | 58        |
|  |           | Replacing the LED panel. . . . .                    | 59        |
|  |           | FRU lists . . . . .                                 | 61        |
|  |           | <b>Chapter 9. General information . . . . .</b>     | <b>69</b> |
|  |           | Additional Service Information . . . . .            | 69        |



---

## Chapter 1. About this manual

This manual contains service and reference information for IdeaCentre A730 computers listed on the cover. It is intended only for trained servicers who are familiar with Lenovo computer products.

Before servicing a Lenovo product, be sure to read the Safety Information.

The description of the TV-tuner card in this manual applies only to computers with a TV-tuner card installed. It does not apply to computers without a TV-tuner card.

---

### Important Safety Information

Be sure to read all CAUTION and DANGER sections in this manual before following any of the instructions.

Veillez lire toutes les consignes de type DANGER et ATTENTION du présent document avant d'exécuter les instructions.

Lesen Sie unbedingt alle Hinweise vom Typ "ACHTUNG" oder "VORSICHT" in dieser Dokumentation, bevor Sie irgendwelche Vorgänge durchführen

Leggere le istruzioni introdotte da ATTENZIONE e PERICOLO presenti nel manuale prima di eseguire una qualsiasi delle istruzioni

Certifique-se de ler todas as instruções de cuidado e perigo neste manual antes de executar qualquer uma das instruções

Es importante que lea todas las declaraciones de precaución y de peligro de este manual antes de seguir las instrucciones.

执行任何说明之前，请确保已阅读本书中的所有警告和危险声明。

執行任何指示前，請確實閱讀本書中的所有警告及危險聲明。



---

## Chapter 2. Safety information

This chapter contains the safety information that you need to be familiar with before servicing a computer.

---

### General safety

Follow these rules to ensure general safety:

- Keep the areas around the computer clear and clean during and after maintenance.
- When lifting any heavy object:
  1. Ensure you can stand safely without slipping.
  2. Distribute the weight of the object equally across both feet.
  3. Lift slowly. Never move suddenly or twist when you attempt to lift.
  4. Lift by standing or by pushing up with your leg muscles; this action removes the strain from the muscles in your back.  
*Do not attempt to lift any objects that weigh more than 16 kg (35 lb) or objects that you think are too heavy for you.*
- Do not perform any action that would create a hazard for the customer, or would make the computer unsafe.
- Before you start the computer, ensure that other service representatives and customer personnel are not in a position that would create a hazard for them.
- Place removed covers and other parts in a safe place, away from all personnel, while you are servicing the computer.
- Keep your tool case away from areas that people may walk through to ensure no-one trips over it.
- Do not wear loose clothing that can be trapped in the moving parts of a machine. Ensure that your sleeves are fastened or rolled up above your elbows. If your hair is long, tie or fasten it back.
- Insert the ends of your necktie or scarf inside clothing or fasten it with a nonconductive clip, approximately 8 centimeters (3 inches) from the end.
- Do not wear jewelry, chains, metal-frame eyeglasses, or metal fasteners for your clothing.  
**Remember:** Metal objects are good electrical conductors.
- Wear safety glasses when you are: hammering, drilling soldering, cutting wire, attaching springs, using solvents, or working in any other conditions that might be hazardous to your eyes.
- After service, reinstall all safety shields, guards, labels, and ground wires. Replace any safety device that is worn or defective.
- Reattach all covers correctly before returning the computer to the customer.

---

### Electrical safety



#### **CAUTION:**

**Electrical current from power, telephone, and communication cables can be hazardous. To avoid personal injury or equipment damage, disconnect any attached power cords, telecommunication cables, network cables, and modem cables before you open the computer covers, unless instructed otherwise in the installation and configuration procedures.**

Observe the following rules when working on electrical equipment.

**Important:** Use only approved tools and test equipment. Some hand tools have handles covered with a soft material that does not insulate you when working with live electrical currents. Many customers have rubber floor mats near their equipment that contain small conductive fibers to decrease electrostatic discharge.

- Find the room emergency power-off (EPO) switch, disconnecting switch, or electrical outlet. If an electrical accident occurs, you can then operate the switch or unplug the power cord quickly.
- Do not work alone under hazardous conditions or near equipment that has hazardous voltages.
- Disconnect all power before:
  - Performing a mechanical inspection
  - Working near power supplies
  - Removing or installing Field Replaceable Units (FRUs)
- Before you start to work on the computer, unplug the power cord. If you cannot unplug it, ask the customer to power-off the electrical outlet that supplies power to the machine and to lock the electrical outlet in the off position.
- If you need to work on a computer that has exposed electrical circuits, observe the following precautions:
  - Ensure that another person, familiar with the power-off controls, is near you.  
**Remember:** Another person must be there to switch off the power, if necessary.
  - Use only one hand when working with powered-on electrical equipment; keep the other hand in your pocket or behind your back.  
**Remember:** There must be a complete circuit to cause electrical shock. By observing the above rule, you may prevent a current from passing through your body.
  - When using a tester, set the controls correctly and use the approved probe leads and accessories for that tester.
  - Stand on suitable rubber mats (obtained locally, if necessary) to insulate you from grounds such as metal floor strips and machine frames.

Observe the special safety precautions when you work with very high voltages; these instructions are in the safety sections of the maintenance information. Use extreme care when measuring high voltages.

- Regularly inspect and maintain your electrical hand tools to ensure they are safe to use.
- Do not use worn or broken tools and testers.
- *Never assume* that power has been disconnected from a circuit. First, *check* that it has been powered off.
- Always look carefully for possible hazards in your work area. Examples of these hazards are wet floors, non-grounded power extension cables, conditions that may cause or allow power surges, and missing safety grounds.
- Do not touch live electrical circuits with the reflective surface of a plastic dental mirror. This surface is conductive, and touching a live circuit can cause personal injury and damage to the computer.
- Do not service the following parts with the power on when they are removed from their normal operating positions in a computer:
  - Power supply units
  - Pumps
  - Blowers and fans
  - Motor generatorsand similar units. (This practice ensures correct grounding of the units.)
- If an electrical accident occurs:
  - Use caution; do not become a victim yourself.

- Switch off power.
- Send another person to get medical aid.

---

## Safety inspection guide

The intent of this inspection guide is to assist you in identifying potential hazards posed by these products. Each computer, as it was designed and built, had required safety items installed to protect users and service personnel from injury. This guide addresses only those items. However, good judgment should be used to identify potential safety hazards due to attachment of features or options not covered by this inspection guide.

If any hazards are present, you must determine how serious the apparent hazard could be and whether you can continue without first resolving the problem.

Consider the following items and the safety hazards they present:

- Electrical hazards, especially primary power (primary voltage on the frame can cause serious or fatal electrical shock).
- Explosive hazards, such as a damaged CRT face or bulging capacitor
- Mechanical hazards, such as loose or missing hardware

The guide consists of a series of steps presented as a checklist. Begin the checks with the power off, and the power cord disconnected.

Checklist:

1. Check exterior covers for damage (loose, broken, or sharp edges).
2. Power-off the computer. Disconnect the power cord.
3. Check the power cord for:
  - a. A third-wire ground connector in good condition. Use a meter to measure third-wire ground continuity for 0.1 ohm or less between the external ground pin and frame ground.
  - b. The power cord should be the appropriate type as specified in the parts listings.
  - c. Insulation must not be frayed or worn.
4. Remove the cover.
5. Check for any obvious alterations. Use good judgment as to the safety of any alterations.
6. Check inside the unit for any obvious hazards, such as metal filings, contamination, water or other liquids, or signs of fire or smoke damage.
7. Check for worn, frayed, or pinched cables.
8. Check that the power-supply cover fasteners (screws or rivets) have not been removed or tampered with.

---

## Handling electrostatic discharge-sensitive devices

Any computer part containing transistors or integrated circuits (ICs) should be considered sensitive to electrostatic discharge (ESD). ESD damage can occur when there is a difference in charge between objects. Protect against ESD damage by equalizing the charge so that the computer, the part, the work mat, and the person handling the part are all at the same charge.

**Notes:**

1. Use product-specific ESD procedures when they exceed the requirements noted here.
2. Make sure that the ESD protective devices you use have been certified (ISO 9000) as fully effective.

When handling ESD-sensitive parts:

- Keep the parts in protective packages until they are inserted into the product.
- Avoid contact with other people while handling the part.
- Wear a grounded wrist strap against your skin to eliminate static on your body.
- Prevent the part from touching your clothing. Most clothing is insulative and retains a charge even when you are wearing a wrist strap.
- Use the black side of a grounded work mat to provide a static-free work surface. The mat is especially useful when handling ESD-sensitive devices.
- Select a grounding system, such as those listed below, to provide protection that meets the specific service requirement.

**Note:** The use of a grounding system is desirable but not required to protect against ESD damage.

- Attach the ESD ground clip to any frame ground, ground braid, or green-wire ground.
- Use an ESD common ground or reference point when working on a double-insulated or battery-operated system. You can use coax or connector-outside shells on these systems.
- Use the round ground-prong of the AC plug on AC-operated computers.

---

## Grounding requirements

Electrical grounding of the computer is required for operator safety and correct system function. Proper grounding of the electrical outlet can be verified by a certified electrician.

---

## Safety notices

The CAUTION and DANGER safety notices in this section are provided in the the language of English.



### DANGER

Electrical current from power, telephone and communication cables is hazardous.

#### To avoid a shock hazard:

- **Do not connect or disconnect any cables or perform installation, maintenance, or reconfiguration of this product during an electrical storm.**
- **Connect all power cords to a properly wired and grounded electrical outlet.**
- **Connect any equipment that will be attached to this product to a properly wired outlet.**
- **When possible, use one hand only to connect or disconnect signal cables.**
- **Never turn on any equipment when there is evidence of fire, water, or structural damage.**
- **Disconnect the attached power cords, telecommunications cables, network cables, and modem cables before you open the device covers, unless instructed otherwise in the installation and configuration procedures.**
- **Connect and disconnect cables as described in the following table when installing, moving, or opening covers on this product or attached devices.**

| To Connect   | To Disconnect   |
|--|---|
| <ol style="list-style-type: none"> <li>1. Turn everything OFF.</li> <li>2. First, attach all cables to devices.</li> <li>3. Attach signal cables to connectors.</li> <li>4. Attach power cords to outlet.</li> <li>5. Turn device ON.</li> </ol> | <ol style="list-style-type: none"> <li>1. Turn everything OFF.</li> <li>2. First, remove power cords from outlets.</li> <li>3. Remove signal cables from connectors.</li> <li>4. Remove all cables from devices.</li> </ol> |



**CAUTION:**

When replacing the lithium battery, use only Part Number 45C1566 or an equivalent type battery recommended by the manufacturer. If your system has a module containing a lithium battery, replace it only with the same module type made by the same manufacturer. The battery contains lithium and can explode if not properly used, handled, or disposed of.

*Do not:*

- Throw into or immerse in water
- Heat to more than 100°C (212°F)
- Repair or disassemble

Dispose of the battery as required by local ordinances or regulations.



**CAUTION:**

When laser products (such as CD-ROMs, DVD-ROM drives, fiber optic devices, or transmitters) are installed, note the following:

- Do not remove the covers. Removing the covers of the laser product could result in exposure to hazardous laser radiation. There are no serviceable parts inside the device.
- Use of controls or adjustments or performance of procedures other than those specified herein might result in hazardous radiation exposure.






 **DANGER**

Some laser products contain an embedded Class 3A or Class 3B laser diode. Note the following:

These diodes emit radiation when open. Do not stare into the beam, do not view directly with optical instruments, and avoid direct exposure to the beam.

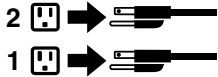


|   |   |   |
|---|---|---|
|  |  |  |
| ≥18 kg (37 lbs)   | ≥32 kg (70.5 lbs)   | ≥55 kg (121.2 lbs)  |

**CAUTION:**  
Use safe practices when lifting.



**CAUTION:**  
The power control button on the device and the power switch on the power supply do not turn off the electrical current supplied to the device. The device also might have more than one power cord. To remove all electrical current from the device, ensure that all power cords are disconnected from the power source.



**CAUTION:**  
Do not place any object weighing more than 82 kg (180 lbs.) on top of rack-mounted devices.



---

## Chapter 3. General information

This chapter provides general information that applies to all computer models covered by this manual.

---

### Specifications

This section lists the physical specifications for your computer.

**This section lists the physical specifications for your computer.**

#### Type IdeaCentre A730

This section lists the physical specifications.

##### Environment

Air temperature:

Operating: 10° to 35°C

Transit: -20° to 55°C

Humidity:

Operating: 35% to 80%

Transit: 20% to 90% (40°C)

Altitude: 86KPa to 106KPa

Electrical input:

Input voltage: 90V-264V(AC)

Input frequency: 47Hz-63Hz



---

## Chapter 4. General Checkout

**Attention:** The drives in the computer you are servicing might have been rearranged or the drive startup sequence may have been changed. Be extremely careful during write operations such as copying, saving, or formatting. Data or programs can be overwritten if you select an incorrect drive.

General error messages appear if a problem or conflict is found by an application, the operating system, or both. For an explanation of these messages, refer to the information supplied with that software package.

Use the following procedure to help determine the cause of the problem:

1. Power-off the computer and all external devices.
2. Check all cables and power cords.
3. Set all display controls to the middle position.
4. Power-on all external devices.
5. Power-on the computer.
  - Look for displayed error codes.
  - Look for readable instructions or a main menu on the display.

If you did not receive the correct response, proceed to step 6.

If you did receive the correct response, proceed to step 7.

6. If one of the following happens, follow the instruction given:
  - If the computer displays a POST error, go to “POST error codes”.
  - If the computer hangs and no error is displayed, continue at step 7.
7. If the test stops and you cannot continue, replace the last device tested.



---

## Chapter 5. Using the Setup Utility

The Setup Utility program is used to view and change the configuration settings of your computer, regardless of which operating system you are using. However, the operating system settings might override any similar settings in the Setup Utility program.

---

### Starting the Lenovo BIOS Setup Utility program

To start the Lenovo BIOS Setup Utility program, do the following:

1. If your computer is already on when you start this procedure, shut down the operating system and turn off the computer.
2. Press and hold the **F1** key then turn on the computer. When the Lenovo BIOS Setup Utility program is displayed, release the **F1** key.

**Note:** If a Power-On Password or an Administrator Password has been set, the Setup Utility program menu will not be displayed until you type your password. For more information, see “Using passwords.”

---

### Viewing and changing settings

System configuration options are listed in the Lenovo BIOS Setup Utility program menu. To view or change settings, see “Starting the Setup Utility program.”

You must use the keyboard when using the Lenovo BIOS Setup Utility menu. The keys used to perform various tasks are displayed on the bottom of each screen.

---

### Using passwords

You can use the Lenovo BIOS Setup Utility program to set passwords to prevent unauthorized persons from gaining access to your computer and data. See “Starting the Setup Utility program.” The following types of passwords are available:

- Administrator Password
- Power-On Password

You do not have to set any passwords to use your computer. However, if you decide to set passwords, read the following sections.

#### Password considerations

A password can be any combination of letters and numbers up to 16 characters (a-z and 0-9). For security reasons, it is a good idea to use a strong password that cannot be easily compromised. We suggest that passwords should follow these rules:

- For a strong password, use 7-16 characters and a mix of letters and numbers.
- Do not use your name or your user name.
- Do not use a common word or a common name.
- Use something significantly different from your previous password.

**Attention:** Administrator and Power-On passwords are not case sensitive.

## Administrator Password

Setting an Administrator Password deters unauthorized persons from changing configuration settings. You might want to set an Administrator Password if you are responsible for maintaining the settings of several computers.

After you set an Administrator Password, a password prompt is displayed every time you access the Lenovo BIOS Setup Utility program.

If both the Administrator and Power-On Password are set, you can type either password. However, you must use your Administrator Password to change any configuration settings.

### Setting, changing, or deleting an Administrator password

To set an Administrator Password, do the following:

**Note:** A password can be any combination of letters and numbers up to 16 characters (a-z and 0-9). For more information, see “Password considerations” on page 13.

1. Start the Lenovo BIOS Setup Utility program (see “Starting the Lenovo BIOS Setup Utility program” on page 13).
2. From the **Security** menu, select **Set Administrator Password** and press the **Enter** key.
3. The password dialog box will be displayed. Type the password then press the **Enter** key.
4. Re-type the password to confirm, then press the **Enter** key. If you typed the password correctly, the password will be installed.

To change an Administrator Password, do the following:

1. Start the Lenovo BIOS Setup Utility program (see “Starting the Lenovo BIOS Setup Utility program” on page 13).
2. From the **Security** menu, select **Set Administrator Password** and press the **Enter** key.
3. The password dialog box will be displayed. Type the current password then press the **Enter** key.
4. Type the new password, then press the **Enter** key. Re-type the password to confirm the new password. If you typed the new password correctly, the new password will be installed. A Setup Noticed confirming that changes have been saved will be displayed.

To delete a previously set Administrator Password, do the following :

1. From the **Security** menu, select **Set Administrator Password** and press the **Enter** key.
2. The password dialog box will be displayed. Type the current password and press the **Enter** key.
3. To delete an **Administrator Password**, leave each new password line item blank, then press the **Enter** key. A Setup Notice confirming that changes have been saved will be displayed.
4. Return to the Lenovo BIOS Setup Utility program menu and select the **Exit** option.
5. Select **Save changes and Exit** from the menu.

## Power-On Password

When a Power-On Password is set, you cannot start the Lenovo BIOS Setup Utility program until a valid password is typed from the keyboard.

### Setting, changing, or deleting a Power-On Password

**Note:** A password can be any combination of letters and numbers up to 16 characters (a-z and 0-9).

To set a Power-On Password, do the following:

1. Start the Lenovo BIOS Setup Utility program (See "Starting the Lenovo BIOS Setup Utility program" on page 13.)
2. From the **Security** menu, select **Set Power-On Password** and press the **Enter** key.
3. The password dialog box will be displayed. Type the password, then press the **Enter** key.
4. Re-type the password to confirm. If you typed the password correctly, the password will be installed.

To change a Power-On Password, do the following:

1. Start the Lenovo BIOS Setup Utility program (See "Starting the Lenovo BIOS Setup Utility program" on page 13.)
2. From the **Security** menu, select **Set Power-On Password** and press the **Enter** key.
3. The password dialog box will be displayed. Type the current password then press the **Enter** key.
4. Type the new password, then press the **Enter** key. Re-type the password to confirm the new password. If you typed the new password correctly, the new password will be installed. A Setup Noticed confirming that changes have been saved will be displayed.

To delete a previously set Power-On Password, do the following :

1. From the **Security** menu, select **Set Power-On Password** and press the **Enter** key.
2. The password dialog box will be displayed. Type the current password and press the **Enter** key.
3. To delete the **Power-On Password**, leave each new password line item blank, then press Enter. A Setup Notice confirming that changes have been saved will be displayed.
4. Return to the Lenovo BIOS Setup Utility program menu and select the **Exit** option.
5. Select **Save changes and Exit** from the menu.

---

## Enabling or disabling a device

|   |  |
|---|--|
| The <b>Devices</b> options is used to enable or disable user access to the following devices: |  |
| <b>USB Functions</b>  | Select whether to enable or disable <b>USB</b> (Universal Serial Bus) functions. If the functions are disabled, no <b>USB</b> devices can be used.   |
| <b>SATA Mode</b>  | When this feature is set to <b>Disabled</b> , all devices connected to the SATA connectors (e.g. hard disk drives or the optical disk drive) are disabled and cannot be accessed.  |
| <b>Onboard Audio Controller</b>   | Select whether to enable or disable the <b>Onboard Audio Controller</b> . When this feature is set to <b>Disabled</b> all devices connected to the audio connectors (e.g. headphones or a microphone) are disabled and cannot be used. |
| <b>Onboard Ethernet Controller or LAN Boot Agent</b>  | Select whether to enable or disable the <b>Onboard Ethernet Controller</b> , or select whether to enable or disable load onboard <b>PXE (Preboot Execution Environment)</b> .  |

To enable or disable a device, do the following:

1. Start the Setup Utility program (see "Starting the Setup Utility program" on page 13).
2. From the Setup Utility program menu, select **Devices**.
3. Select an option as follows:

Select **USB Setup**, press the **Enter** key, then select **USB Functions**.

Select **ATA Device Setup**, press the **Enter** key, then select **SATA Mode**.

Select **Audio Setup**, press the **Enter** key, then select **Onboard Audio Controller**.

Select **Network Setup**, press the **Enter** key, then select **Onboard Ethernet Support** or **LAN Boot Agent**.

4. Select **Disabled** or **Enabled** and press the **Enter** key.
5. Return to the Lenovo BIOS Setup Utility program menu and select the **Exit** option.
6. Select **Save changes and Exit** from the menu.

**Notes:**

- a. If you do not want to save the settings, select **Discard changes and Exit** from the menu.
- b. Select IDE/AHCI Mode: Device driver support is required for AHCI. Depending on how the hard disk image was installed, changing this setting may prevent the system from booting.

---

## Selecting a startup device

If your computer does not boot from a device such as the CD/DVD-ROM drive disk or hard disk as expected, follow one of the procedures below.

### Selecting a temporary startup device

Use this procedure to start up from any boot device.

**Note:** Not all CDs, DVDs or hard disk drives are bootable.

1. Turn off your computer.
2. Press and hold the **F12** key then turn on the computer. When the **Startup Device Menu** appears, release the **F12** key.

**Note:** If the **Startup Device Menu** does not display using these steps, repeatedly press and release the **F12** key rather than keeping it pressed when turning on the computer.

3. Use **↑** and **↓** arrows to select the desired startup device from the **Startup Device Menu** and press the **Enter** key to begin.

**Note:** Selecting a startup device from the **Startup Device Menu** does not permanently change the startup sequence.

### Selecting or changing the startup device sequence

To view or permanently change the configured startup device sequence, do the following:

1. Start the Lenovo BIOS Setup Utility program (see “Starting the Lenovo BIOS Setup Utility program” on page 13).
2. From the Lenovo BIOS Setup Utility program main menu, select the **Startup** option.
3. Press the **Enter** key, and select the devices for the **Primary Boot Sequence**. Read the information displayed on the right side of the screen.
4. Use **-** and **^** arrows to select a device. Use the **<+>** or **<->** keys to move a device up or down. Use the **<x>** key to exclude the device from or include the device in the boot sequence.
5. Return to the Lenovo BIOS Setup Utility program menu and select the **Exit** option.
6. Select **Save changes and Exit** from the menu.

**Notes:**

- a. If you do not want to save the settings, select **Discard changes and Exit** from the menu.
- b. If you have changed these settings and want to return to the default settings, select **Load Optimal Defaults** from the menu.

---

## Exiting the Lenovo BIOS Setup Utility program

After you finish viewing or changing settings, press the **Esc** key to return to the Lenovo BIOS Setup Utility program main menu. You might have to press the **Esc** key several times. Do one of the following:

- If you want to save the new settings, select **Save changes and Exit** from the menu. When the **Save & reset** window shows, select the **Yes** button, and then press the **Enter** key to exit the Lenovo BIOS Setup Utility program.
- If you do not want to save the settings, select **Discard changes and Exit** from the menu. When the **Reset Without Saving** window shows, select the **Yes** button, and then press the **Enter** key to exit the Lenovo BIOS Setup Utility program.



---

## Chapter 6. Symptom-to-FRU Index

The Symptom-to-FRU index lists error symptoms and possible causes. The most likely cause is listed first. Always begin with Chapter 4, “General Checkout,” on page 11. This index can also be used to help you decide which FRUs to have available when servicing a computer. If you are unable to correct the problem using this index, go to “Undetermined problems” on page 20.

### Notes:

- If you have both an error message and an incorrect audio response, diagnose the error message first.
- If you cannot run the diagnostic tests or you get a diagnostic error code when running a test but did receive a POST error message, diagnose the POST error message first.
- If you did not receive any error message look for a description of your error symptoms in the first part of this index.

---

### Hard disk drive boot error

A hard disk drive boot error can be caused by the following.

| Error   | FRU/Action   |
|---|--|
| The startup drive is not included in the boot sequence configuration. | Check the configuration and ensure the startup drive is in the boot sequence.  |
| No operating system is installed on the boot drive.                   | Install an operating system on the boot drive.   |
| The boot sector on the startup drive is corrupted.                    | The drive must be formatted. Do the following: <ol style="list-style-type: none"><li>1. Attempt to back up the data on the failing hard disk drive.</li><li>2. Use the operating system to format the hard disk drive.</li></ol> |
| The drive is defective.   | Replace the hard disk drive.   |

---

### Power Supply Problems

Follow these procedures if you suspect there is a power supply problem.

| Check/Verify  | FRU/Action        |
|---|-------------------|
| Check that the following are properly installed: <ul style="list-style-type: none"><li>• Power Cord</li><li>• On/Off Switch connector</li><li>• System Board Power Supply connectors</li><li>• Microprocessor connections</li></ul> | Reseat connectors |
| Check the power cord.   | Power Cord        |
| Check the power-on switch.  | Power-on Switch   |

---

## POST error codes

Each time you turn the computer on, it performs a series of tests to check that the system is operating correctly and that certain options are set. This series of tests is called the *Power-On Self-Test*, or *POST*. POST does the following:

- Checks some basic motherboard operations
- Checks that the memory is working correctly
- Starts video operations
- Verifies that the boot drive is working

| POST Error Message  | Description/Action  |
|---|---|
| Keyboard error  | Cannot initialize the keyboard. Make sure the keyboard is properly connected to the computer and that no keys are held pressed during POST. To purposely configure the computer without a keyboard, select <b>Keyboardless operation</b> in <b>Startup</b> and set the option to <b>Enabled</b> . The BIOS then ignores the missing keyboard during POST. |
| Reboot and Select proper Boot device or Insert Boot Media in selected Boot device | The BIOS was unable to find a suitable boot device. Make sure the boot drive is properly connected to the computer. Make sure you have bootable media in the boot device.   |

---

## Undetermined problems

1. Power-off the computer.
2. Remove or disconnect the following components (if connected or installed) one at a time.
  - a. External devices (modem, printer, or mouse)
  - b. Extended video memory
  - c. External Cache
  - d. External Cache RAM
  - e. Hard disk drive
  - f. Disk drive
3. Power-on the computer to re-test the system.
4. Repeat steps 1 through 3 until you find the failing device or component.

If all devices and components have been removed and the problem continues, replace the system board.

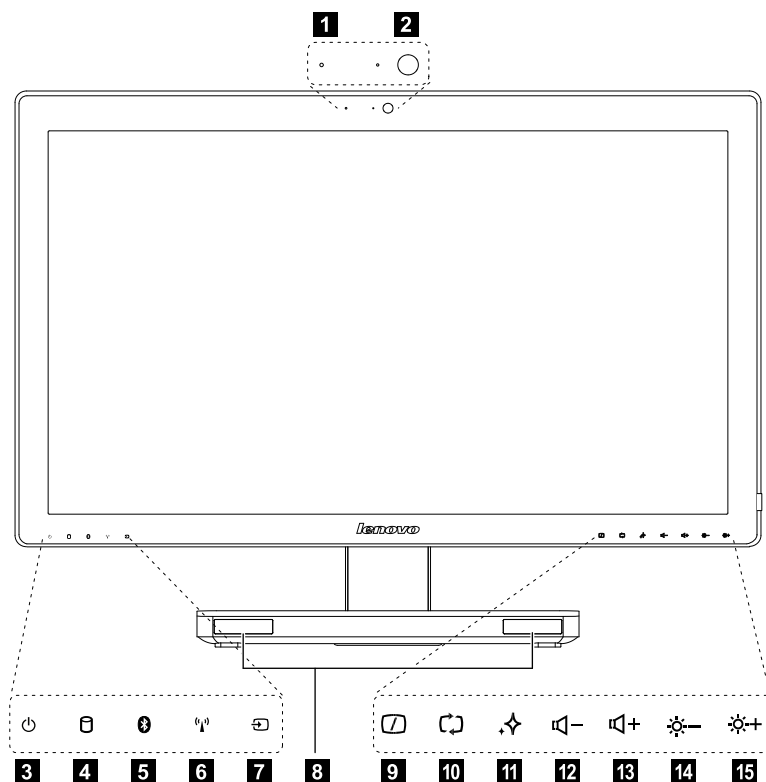
## Chapter 7. Locating connectors, controls and components

This section provides illustrations to help locate the various connectors, controls and components of the computer.

### Front view

The following illustration shows the location of controls and components on the front of the computer.

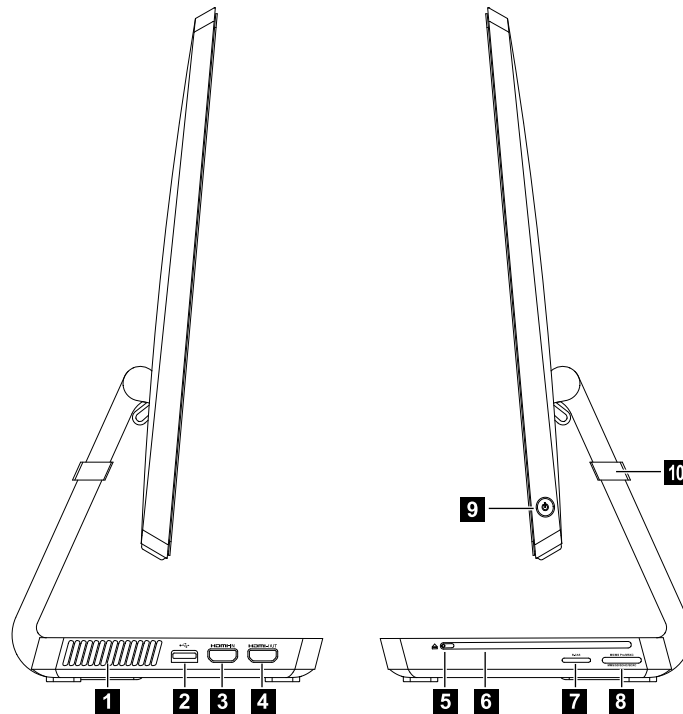
**Attention:** Be careful not to block any air vents on the computer. Blocked air vents can cause overheating.



|                               |                                  |
|-------------------------------|----------------------------------|
| 1. Built-in microphone        | 9. Monitor On/Off                |
| 2. Built-in camera            | 10. PC mode/HDMI-in/AV-in switch |
| 3. Power indicator            | 11. Novo Vision button           |
| 4. Hard disk drive indicator  | 12. Volume down                  |
| 5. Bluetooth status indicator | 13. Volume up                    |
| 6. WIFI status indicator      | 14. Brightness down              |
| 7. HDMI-in indicator          | 15. Brightness up                |
| 8. Built-in speakers          |                                  |

## Left and right view

The following illustration shows the location of connectors, controls and components on the left and right side of the computer.

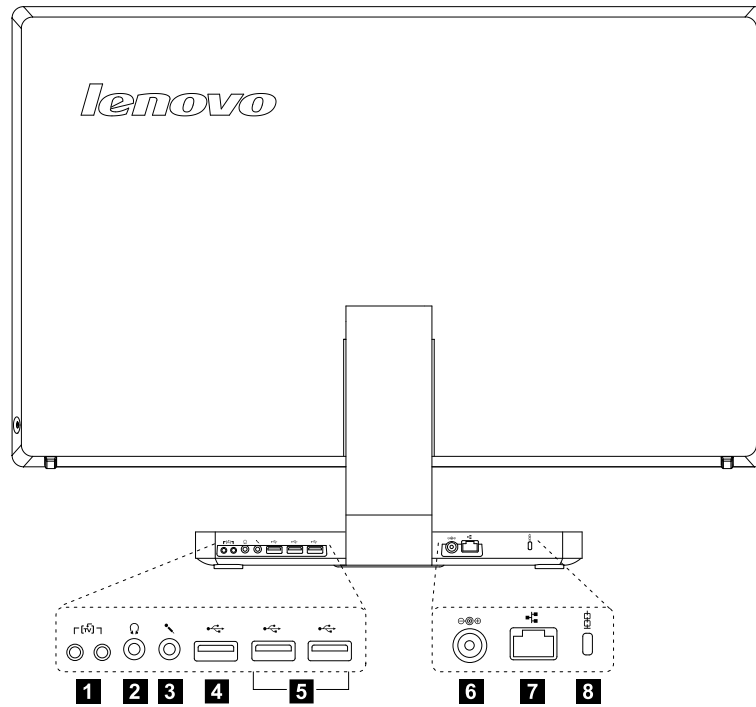


|   |  |
|---|--|
| 1. Air vents                                | 6. Optical drive                       |
| 2. USB 3.0 connector                        | 7. B-CAS card slot (Japan models only) |
| 3. HDMI-in connector (selected models only) | 8. Memory card reader                  |
| 4. HDMI-out connector                       | 9. Power button                        |
| 5. Eject button                             | 10. Anti-scratch protector             |

**Attention:** Do not insert 3-inch discs into the optical drive.

## Rear view

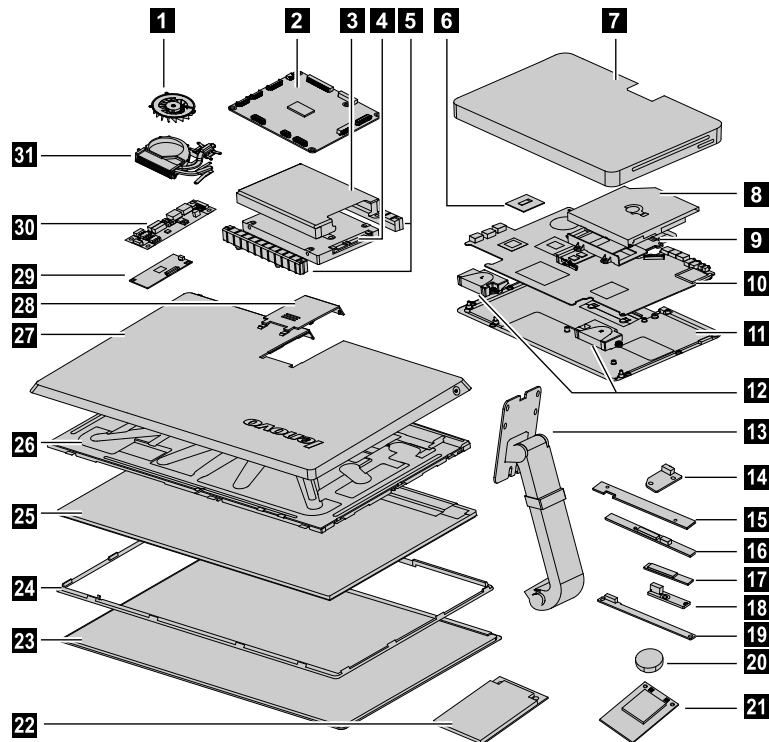
The following illustration shows the location of connectors and components on the rear of the computer.



|  |                              |
|--|------------------------------|
| 1. TV tuner connector (selected models only) | 5. USB 2.0 connectors (2)    |
| 2. Headphone connector                       | 6. Power connector           |
| 3. Microphone connector                      | 7. Ethernet connector (RJ45) |
| 4. USB 3.0 connector                         | 8. Security cable slot       |

## Hardware components

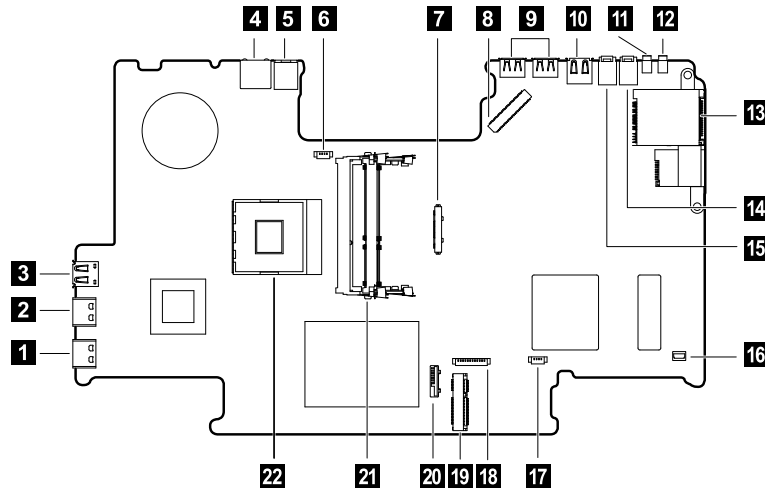
The following illustration shows the components that make up your computer.



|                               |                          |
|-------------------------------|--------------------------|
| 1. System fan                 | 17. Bluetooth module     |
| 2. Scalar board               | 18. Power switch board   |
| 3. Hard disk drive bracket    | 19. Front function board |
| 4. Hard disk drive            | 20. Battery              |
| 5. Hard disk drive rubbers    | 21. Solid state disk     |
| 6. CPU                        | 22. TV-tuner card        |
| 7. Base cover                 | 23. Glass                |
| 8. Optical drive              | 24. Panel frame          |
| 9. Optical drive bracket      | 25. LED panel            |
| 10. Motherboard               | 26. Middle frame         |
| 11. Chassis                   | 27. Rear cover           |
| 12. Speakers                  | 28. Rear cover deco      |
| 13. Hinge                     | 29. Touch control board  |
| 14. Optical drive eject board | 30. Converter            |
| 15. Camera                    | 31. Heat-sink            |
| 16. WLAN card                 |                          |

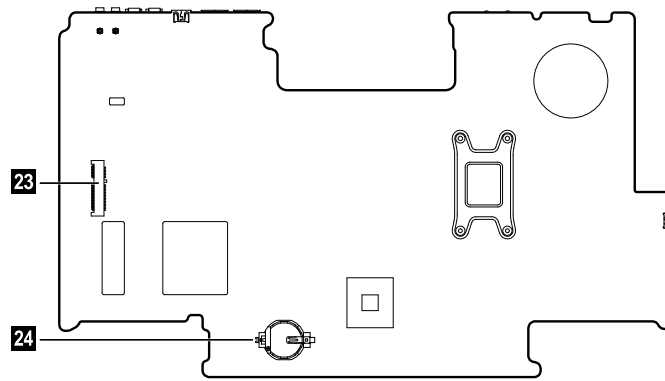
## Identifying parts on the motherboard

The motherboard (sometimes called the planar or system board) is the main circuit board in your computer. It provides basic computing functions and supports a variety of devices that are factory-installed or that you can install later. The following illustration shows the location of connectors and components on the front of the motherboard.



|                                |  |
|--------------------------------|--|
| 1. HDMI-out connector          | 12. TV jack 2 (Japan only)               |
| 2. HDMI-in connector           | 13. Card reader                          |
| 3. USB 3.0 connector           | 14. Microphone connector                 |
| 4. Ethernet connector ( RJ45 ) | 15. Headphone connector                  |
| 5. Power connector             | 16. Optical drive eject button connector |
| 6. System fan connector        | 17. Speaker connector                    |
| 7. Scalar cable connector      | 18. Optical drive connector              |
| 8. Scalar cable connector      | 19. Solid state disk connector           |
| 9. USB 2.0 connectors (2)      | 20. Hard disk drive connector            |
| 10. USB 3.0 connector          | 21. Memory slot                          |
| 11. TV jack 1                  | 22. CPU socket                           |

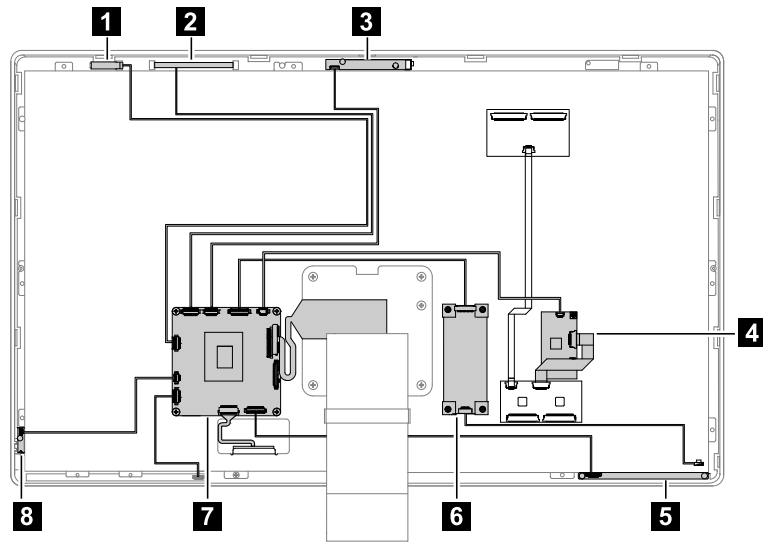
The following illustration shows the location of connectors and components on the back of the motherboard.



|                             |             |
|-----------------------------|-------------|
| 23. TV-Tuner card connector | 24. Battery |
|-----------------------------|-------------|

### Identifying parts on the back of the LED panel

The following illustration shows the components and controls on the back of LED panel.



|                        |                         |
|------------------------|-------------------------|
| 1. Bluetooth module    | 5. Front function board |
| 2. WLAN card           | 6. Converter board      |
| 3. Camera              | 7. Scalar board         |
| 4. Touch control board | 8. Power switch board   |



---

## Chapter 8. Replacing hardware

**Attention:** Do not remove the computer cover or attempt any repair before reading the “Important safety information” in the Safety and Warranty Guide that was included with your computer. To obtain copies of the Safety and Warranty Guide, go to the Support Web site at: <http://consumersupport.lenovo.com>.

**Note:** Use only parts provided by Lenovo.

---

### General information

#### Pre-disassembly instructions

Before starting the disassembly procedure, make sure that you do the following:

1. Turn off the power to the system and all peripherals.
2. Unplug all power and signal cables from the computer.
3. Place the system on a flat, stable surface.

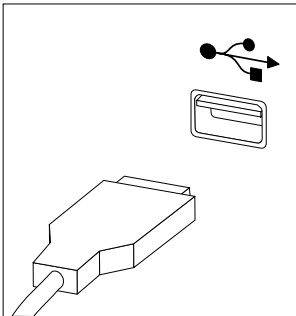
---

## Replacing the keyboard and mouse

**Attention:** Turn off the computer and wait 3 to 5 minutes to let it cool down before removing the cover.

### To replace the keyboard and mouse

- Step 1. Remove any media (disks, CDs, DVDs or memory cards) from the drives, shut down the operating system, and turn off the computer and all attached devices.
- Step 2. Unplug all power cords from electrical outlets.
- Step 3. Disconnect all cables attached to the computer. This includes power cords, input/output (I/O) cables, and any other cables that are connected to the computer. Refer to “Left and right view” and “Rear view” for help with locating the various connectors.



**Note:** Your keyboard will be connected to a USB connector on one side or at the rear of the computer.

- Step 4. Disconnect the defective keyboard cable from the computer and connect the new keyboard cable to the same connector.

**Note:** The mouse can be replaced using the same method.

---

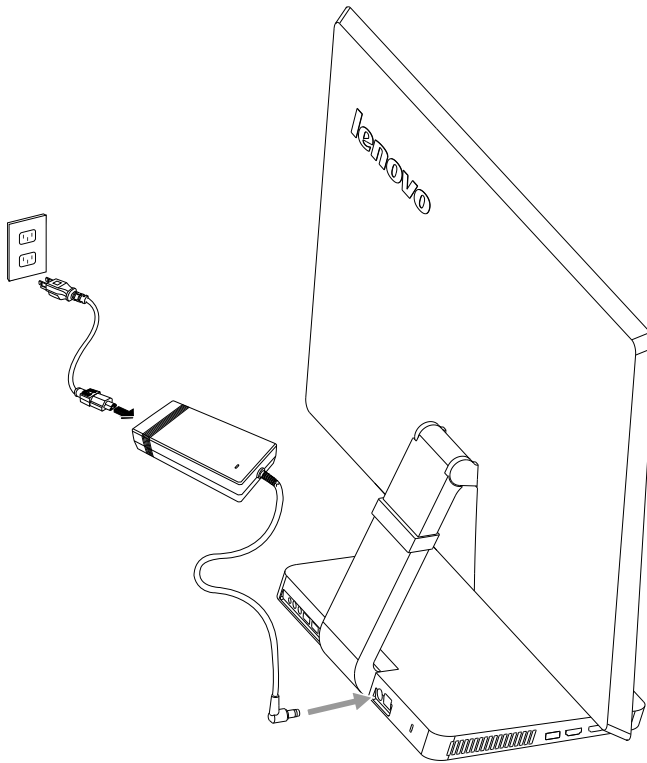
## Replacing the power cord or power adapter

**Attention:** Turn off the computer and wait 3 to 5 minutes to let it cool down before removing the cover.

### To replace the power cord and power adapter:

- Step 1. Remove any media (disks, CDs, DVDs, or memory cards) from the drives, shut down the operating system, and turn off the computer and all attached devices.

Step 2. Locate the connector for the power cord. Refer to “Rear view”.



Step 3. Disconnect the failing power cord and adapter from the computer and connect the new power cord and adapter to the same connector.

---

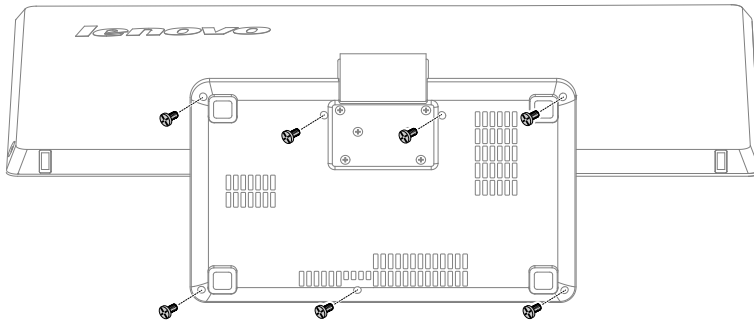
## Removing the base cover

**Note:** Turn off the computer and wait 3 to 5 minutes to let it cool down before removing the cover.

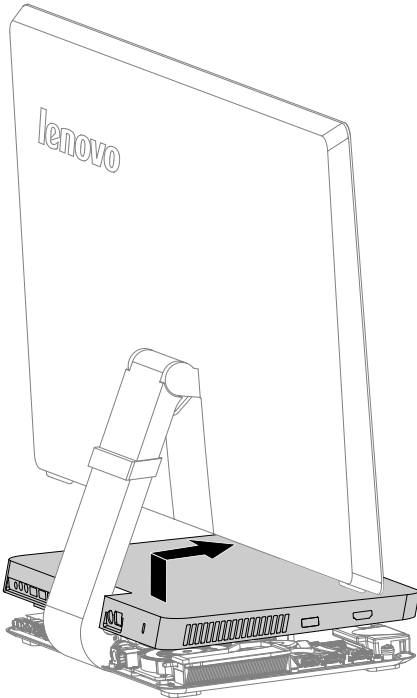
**Note:** It may be helpful to place the computer face-down on a soft flat surface for this procedure. Lenovo recommends that you use a blanket, towel, or other soft cloth to protect the computer screen from scratches or other damage.

### To remove the base cover

- Step 1. Remove any media (disks, CDs, DVDs, or memory cards) from the drives, shut down the operating system, and turn off the computer and all attached devices.
- Step 2. Unplug all power cords from electrical outlets.
- Step 3. Disconnect all cables attached to the computer. This includes power cords, input/output (I/O) cables, and any other cables that are connected to the computer. Refer to “Left and right view” and “Rear view” for help with locating the various connectors.
- Step 4. Place the computer face-down on a soft flat surface, then remove the 7 screws that secure the base cover to the base.



Step 5. Return the computer to an upright position, then lift the base cover up and slide it out as shown.



Step 6. To reattach the base cover:

- a. Line up the base cover with the base, slide it back and snap it into position.
- b. Place the computer face-down on a soft flat surface, then secure the base cover to the base with the 7 screws.

---

## Replacing the hard disk drive

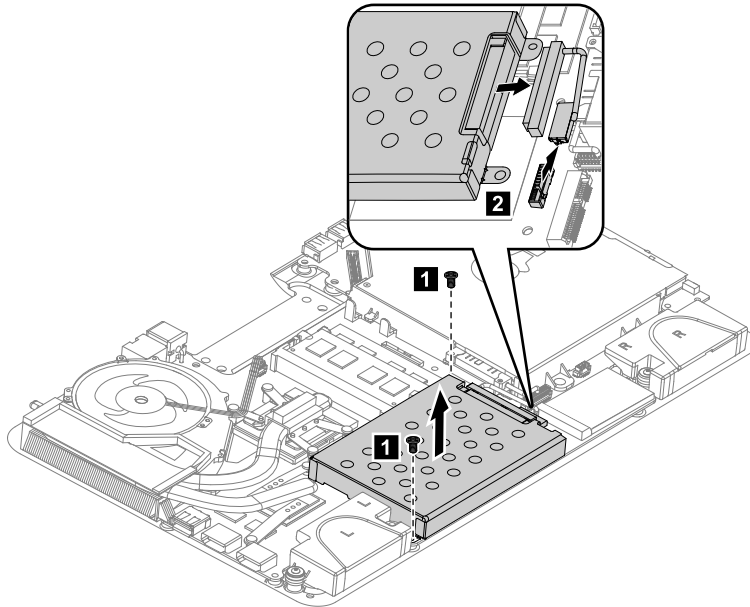
**Attention:** Turn off the computer and wait 3 to 5 minutes to let it cool down before removing the cover.

### To replace the hard disk drive

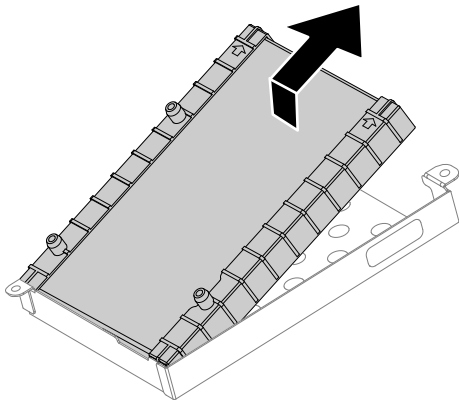
- Step 1. Remove any media (disks, CDs, DVDs or memory cards) from the drives, shut down the operating system, and turn off the computer and all attached devices.
- Step 2. Unplug all power cords from electrical outlets.
- Step 3. Disconnect all cables attached to the computer. This includes power cords, input/output (I/O) cables, and any other cables that are connected to the computer. Refer to “Left and right view” and “Rear view” for help with locating the various connectors.
- Step 4. Remove the base cover. Refer to “Removing the base cover”.

Step 5. Remove the 2 screws that secure the hard disk drive to the motherboard. **1**

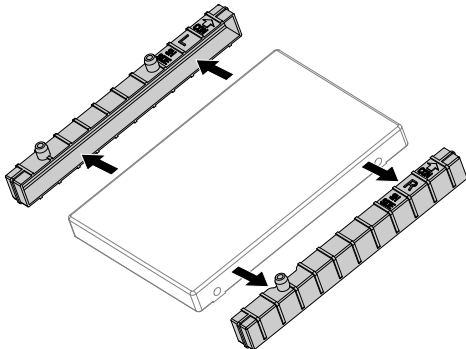
Step 6. Disconnect the data and power cable from the hard disk drive. **2**



Step 7. Slide the hard disk drive and rubber out of the bay as shown.



Step 8. Detach the rubbers from the hard disk drive as shown.



Step 9. Install the new hard disk drive as follows:

- a. Attach the rubbers to the new hard disk drive.
- b. Line up the new hard disk drive and slide it back into the hard disk drive bay.

- c. Secure the new hard disk drive to motherboard with the 2 screws.
- d. Connect the data and power cable to the new hard disk drive and motherboard.

Step 10. Reattach the base cover and secure it with the screws.

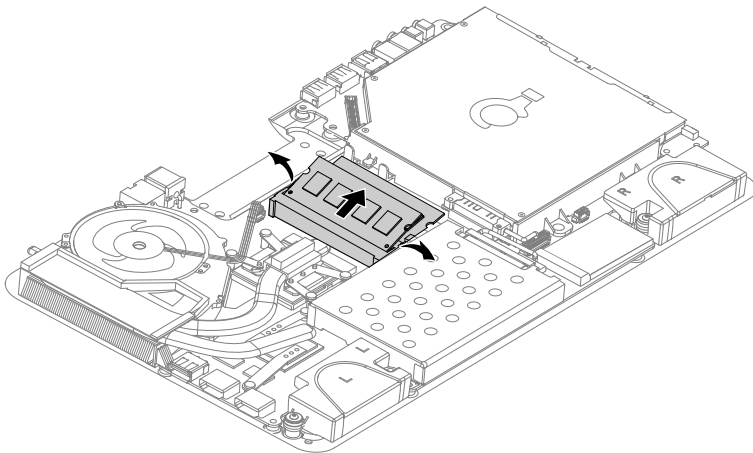
---

## Replacing a memory module

**Attention:** Turn off the computer and wait 3 to 5 minutes to let it cool down before removing the cover.

### To replace a memory module

- Step 1. Remove any media (disks, CDs, DVDs, or memory cards) from the drives, shut down the operating system, and turn off the computer and all attached devices.
- Step 2. Unplug all power cords from electrical outlets.
- Step 3. Disconnect all cables attached to the computer. This includes power cords, input/output (I/O) cables, and any other cables that are connected to the computer. Refer to “Left and right view” and “Rear view” for help with locating the various connectors.
- Step 4. Remove the base cover. Refer to “Removing the base cover”.
- Step 5. Push out the latches on both sides of the memory socket to release the memory module. Gently pull the memory module upward to remove it from its socket.



- Step 6. Align the new memory module with the memory socket, then insert it and push down on the top edge. Make sure the latches lock the memory module in place.
- Step 7. Reattach the base cover and secure it with the screws.

---

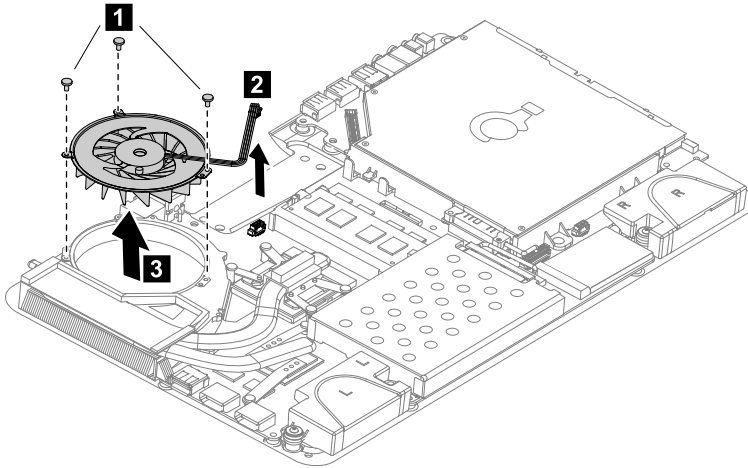
## Replacing the system fan

**Note:** Turn off the computer and wait 3 to 5 minutes to let it cool down before removing the cover.

### To replace the system fan

- Step 1. Remove any media (disks, CDs, DVDs or memory cards) from the drives, shut down the operating system, and turn off the computer and all attached devices.
- Step 2. Unplug all power cords from electrical outlets.
- Step 3. Disconnect all cables attached to the computer. This includes power cords, input/output (I/O) cables, and any other cables that are connected to the computer. Refer to “Left and right view” and “Rear view” for help with locating the various connectors.
- Step 4. Remove the base cover. Refer to “Removing the base cover”.

- Step 5. Remove the 3 screws that secure the system fan to the heat-sink. **1**
- Step 6. Disconnect the power cable from the motherboard. **2**
- Step 7. Lift the system fan up to remove it. **3**



- Step 8. Line up the new system fan, then secure it to the heat-sink and connect the new power cable to the motherboard.
- Step 9. Reattach the base cover and secure it with the screws.

---

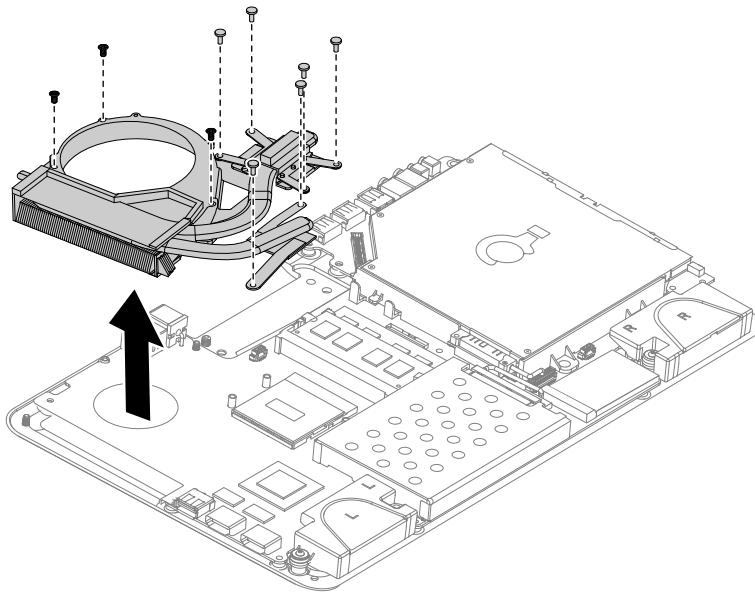
## Replacing the heat-sink

**Note:** Turn off the computer and wait 3 to 5 minutes to let it cool down before removing the cover.

### To replace the heat-sink:

- Step 1. Remove any media (disks, CDs, DVDs or memory cards) from the drives, shut down the operating system, and turn off the computer and all attached devices.
- Step 2. Unplug all power cords from electrical outlets.
- Step 3. Disconnect all cables attached to the computer. This includes power cords, input/output (I/O) cables, and any other cables that are connected to the computer. Refer to “Left and right view” and “Rear view” for help with locating the various connectors.
- Step 4. Remove the base cover. Refer to “Removing the base cover”.
- Step 5. Remove the system fan. Refer to “Replacing the system fan”.
- Step 6. Remove the 9 screws that secure the heat-sink to the motherboard.

Step 7. Remove the heat-sink by lifting it up.



**Attention:** Place the heat-sink upside down on a flat surface to prevent thermal grease from contaminating other components.

**Attention:** Use an alcohol pad to wipe the thermal grease off the heat-sink and CPU.

Step 8. Use a thermal grease syringe to place 5 drops of grease on the top of the microprocessor. Each drop of grease should be 0.03ml (3 tick marks on the grease syringe).

Step 9. Line up the new heat-sink then secure it to the motherboard with the 9 screws.

Step 10. Attach the system fan to the new heat-sink and secure it with the screws.

Step 11. Reattach the base cover and secure it with the screws.

---

## Replacing the CPU

**Note:** Turn off the computer and wait 3 to 5 minutes to let it cool down before removing the cover.

### To replace the CPU

Step 1. Remove any media (disks, CDs, DVDs, or memory cards) from the drives, shut down the operating system, and turn off the computer and all attached devices.

Step 2. Unplug all power cords from electrical outlets.

Step 3. Disconnect all cables attached to the computer. This includes power cords, input/output (I/O) cables, and any other cables that are connected to the computer. Refer to “Left and right view” and “Rear view” for help with locating the various connectors.

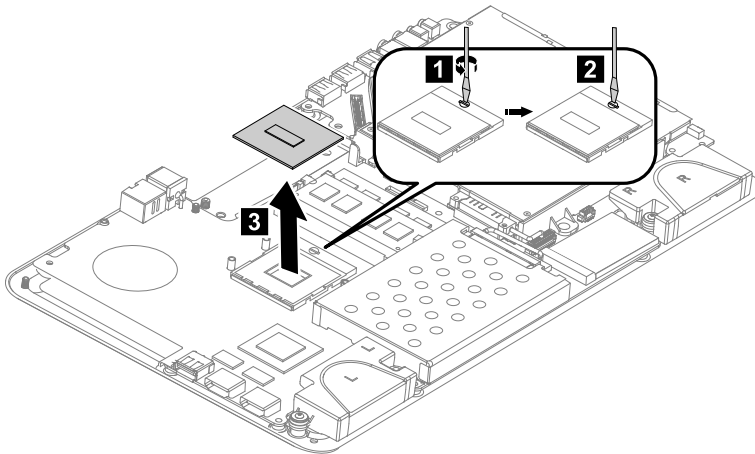
Step 4. Remove the base cover. Refer to “Removing the base cover”.

Step 5. Remove the system fan. Refer to “Replacing the system fan”.

Step 6. Remove the heat-sink. Refer to “Replacing the heat-sink”.

Step 7. Use a flat head screwdriver to turn the CPU lock screw counterclockwise to unlock the CPU. **1 2**

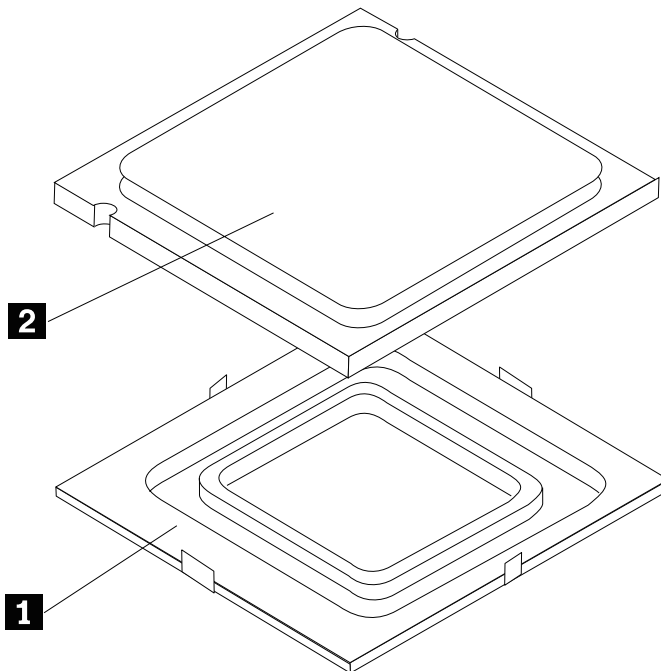
Step 8. Lift the microprocessor straight up and out of the socket. **3**



**Attention:** Do not touch the gold contacts on the bottom of the microprocessor. When handling the microprocessor, touch only the sides.

**Note:** Do not drop anything onto the microprocessor socket while it is exposed. The socket pins must be kept as clean as possible.

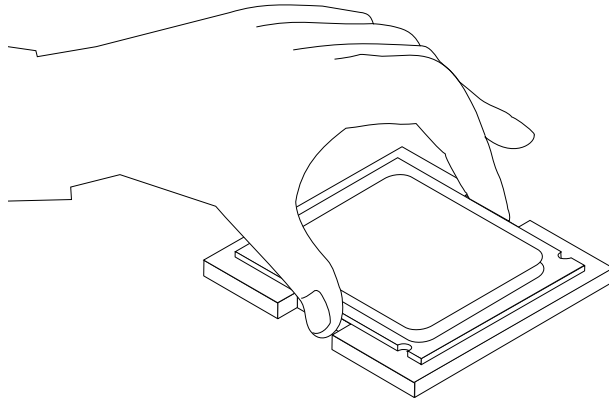
Step 9. Holding the sides of the microprocessor with your fingers, remove the protective cover **1** that protects the gold contacts on the new microprocessor. **2**



Step 10. Holding the sides of the microprocessor with your fingers, position the microprocessor so that the notches on the microprocessor are aligned with the tabs in the microprocessor socket.

**Important:** To avoid damaging the microprocessor contacts, keep the microprocessor completely level while installing it into the socket.

Step 11. Lower the microprocessor straight down into its socket on the motherboard.



Step 12. To secure the microprocessor in the socket, close the microprocessor retainer and lock it into position with the small handle.

Step 13. Use a thermal grease syringe to place 5 drops of grease on the top of the microprocessor. Each drop of grease should be 0.03ml (3 tick marks on the grease syringe).

Step 14. Reattach the system fan, heat-sink, and base cover, then secure them with the screws.

---

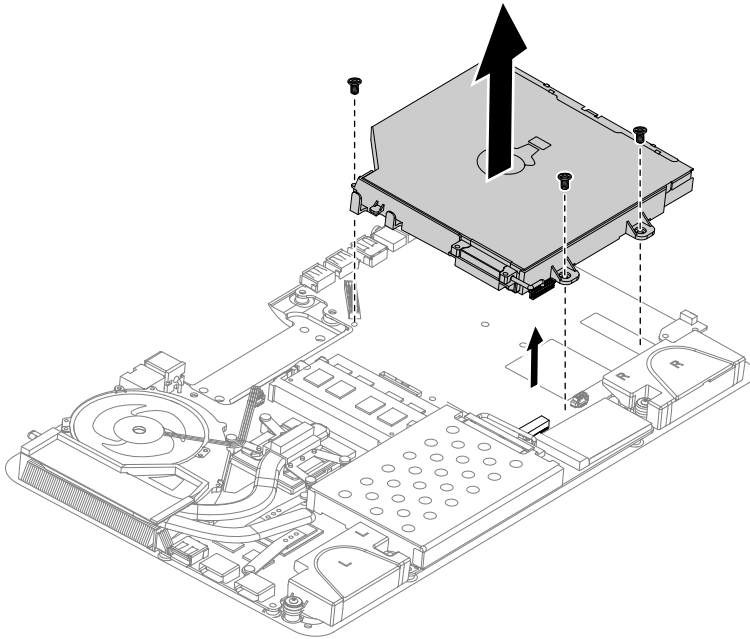
## Replacing the optical drive

**Attention:** Turn off the computer and wait 3 to 5 minutes to let it cool down before removing the cover.

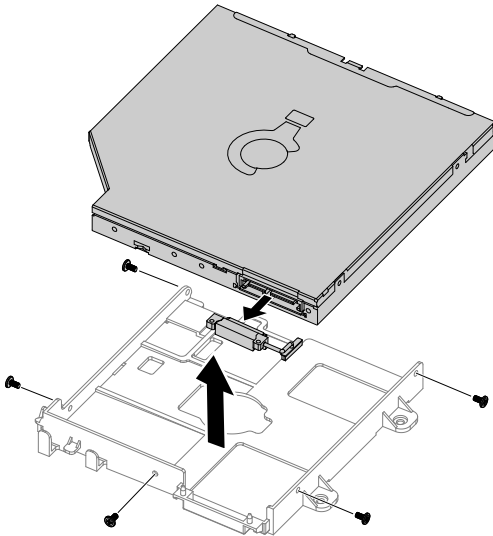
### To replace the optical drive

- Step 1. Remove any media (disks, CDs, DVDs, or memory cards) from the drives, shut down the operating system, and turn off the computer and all attached devices.
- Step 2. Unplug all power cords from electrical outlets.
- Step 3. Disconnect all cables attached to the computer. This includes power cords, input/output (I/O) cables, and any other cables that are connected to the computer. Refer to “Left and right view” and “Rear view” for help with locating the various connectors.
- Step 4. Remove the base cover. Refer to “Removing the base cover”.
- Step 5. Disconnect the optical drive data cable from the motherboard.

Step 6. Remove the 3 screws that secure the optical drive to the motherboard and lift it up to remove it.



Step 7. Remove the 5 screws that secure the optical drive to the bracket and disconnect the data cable from the optical drive.



Step 8. Install the new optical drive as follows:

- a. Connect the data cable to the new optical drive.
- b. Align the new optical drive with the bracket, push it into position and secure it with the 5 screws.
- c. Line up the optical drive bracket holes with the mounting holes in the motherboard and secure it with the 3 screws.
- d. Connect the data cable to the motherboard.

Step 9. Reattach the base cover and secure it with the screws.

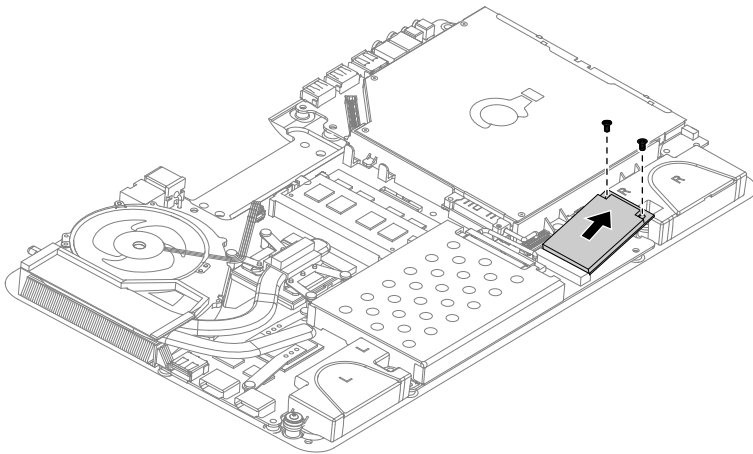
---

## Replacing the solid state disk

**Note:** Turn off the computer and wait 3 to 5 minutes to let it cool down before removing the cover.

### To replace the solid state disk

- Step 1. Remove any media (disks, CDs, DVDs, or memory cards) from the drives, shut down the operating system, and turn off the computer and all attached devices.
- Step 2. Unplug all power cords from electrical outlets.
- Step 3. Disconnect all cables attached to the computer. This includes power cords, input/output (I/O) cables, and any other cables that are connected to the computer. Refer to “Left and right view” and “Rear view” for help with locating the various connectors.
- Step 4. Remove the base cover. Refer to “Removing the base cover”.
- Step 5. Remove the 2 screws that secure the solid state disk to the motherboard.
- Step 6. Pull the solid state disk upward to remove it from the card port.



- Step 7. To install the new solid state disk:
  - a. Insert the notched end of the new solid state disk into the card port on the motherboard.
  - b. Secure the new solid state disk to the motherboard using the 2 screws.
- Step 8. Reattach the base cover and secure it with the screws.

---

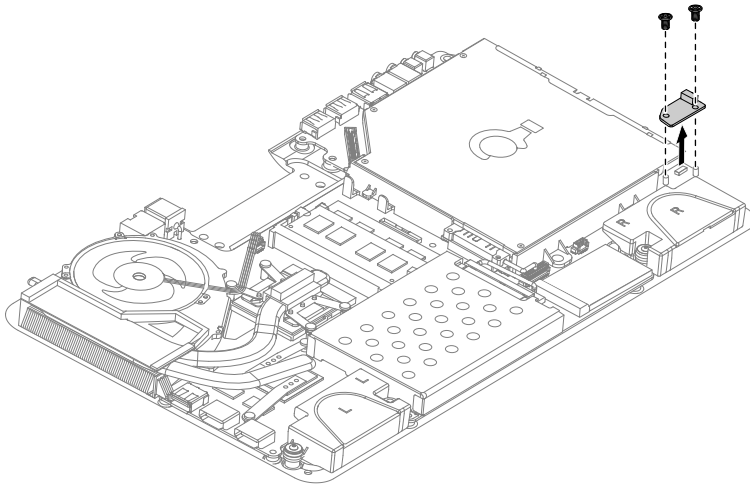
## Replacing the optical drive eject board

**Note:** Turn off the computer and wait 3 to 5 minutes to let it cool down before removing the cover.

### To replace the optical drive eject board

- Step 1. Remove any media (disks, CDs, DVDs, or memory cards) from the drives, shut down the operating system, and turn off the computer and all attached devices.
- Step 2. Unplug all power cords from electrical outlets.
- Step 3. Disconnect all cables attached to the computer. This includes power cords, input/output (I/O) cables, and any other cables that are connected to the computer. Refer to “Left and right view” and “Rear view” for help with locating the various connectors.
- Step 4. Remove the base cover. Refer to “Removing the base cover”.
- Step 5. Remove the 2 screws that secure the optical drive eject board to the motherboard.

Step 6. Lift up the optical drive eject board to remove it.



Step 7. To install the new optical drive eject board:

- a. Connect the new optical drive eject board to the motherboard.
- b. Secure the new optical drive eject board to the motherboard with the 2 screws.

Step 8. Reattach the base cover and secure it with the screws.

---

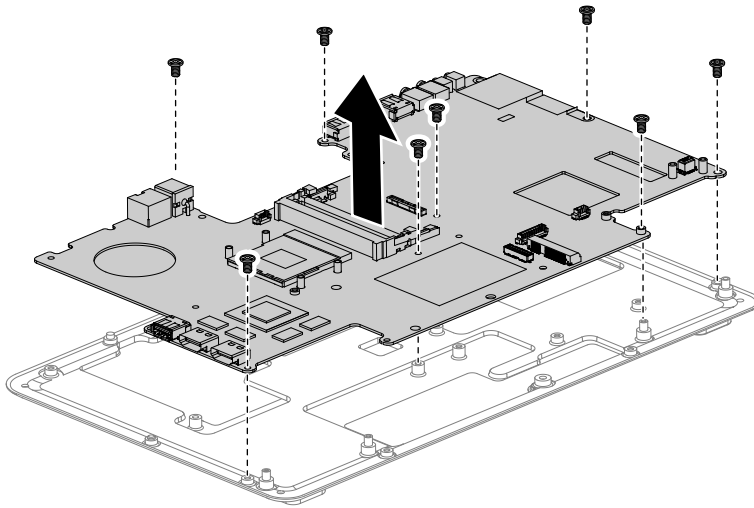
## Replacing the motherboard

**Note:** Turn off the computer and wait 3 to 5 minutes to let it cool down before removing the cover.

### To replace the motherboard:

- Step 1. Remove any media (disks, CDs, DVDs, or memory cards) from the drives, shut down the operating system, and turn off the computer and all attached devices.
- Step 2. Unplug all power cords from electrical outlets.
- Step 3. Disconnect all cables attached to the computer. This includes power cords, input/output (I/O) cables, and any other cables that are connected to the computer. Refer to “Left and right view” and “Rear view” for help with locating the various connectors.
- Step 4. Remove the base cover. Refer to “Removing the base cover”.
- Step 5. Remove the hard disk drive. Refer to “Replacing the hard disk drive”.
- Step 6. Remove a memory module. Refer to “Replacing a memory module”.
- Step 7. Remove the system fan. Refer to “Replacing the system fan”.
- Step 8. Remove the heat-sink. Refer to “Replacing the heat-sink”.
- Step 9. Remove the CPU. Refer to “Replacing the CPU”.
- Step 10. Remove the optical drive. Refer to “Replacing the optical drive”.
- Step 11. Remove the solid state disk. Refer to “Replacing the solid state disk”.
- Step 12. Remove the optical drive eject board. Refer to “Replacing the optical drive eject board”.
- Step 13. Remove all the cables connected to the motherboard.

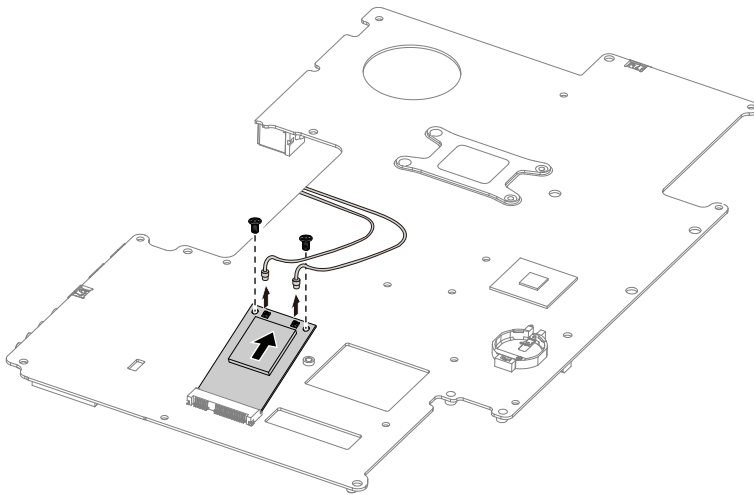
Step 14. Remove the 8 screws that secure the motherboard to the chassis and slide it out as shown.



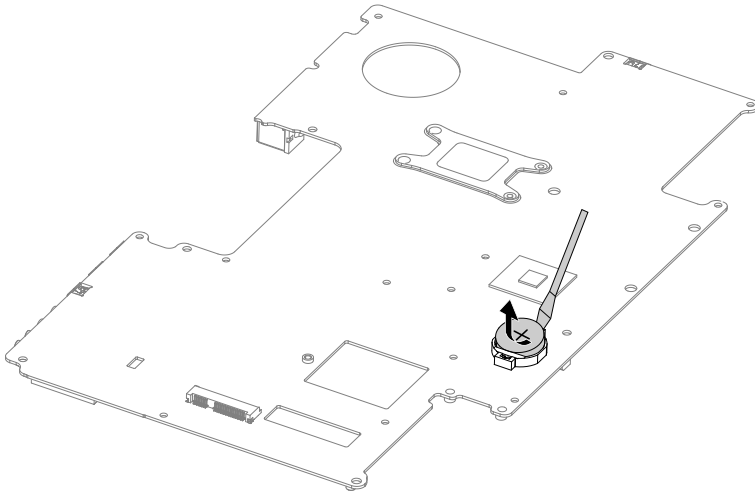
Step 15. Remove the 2 screws that secure the TV-Tuner card to the motherboard.

Step 16. Disconnect the antenna cable(s) from the TV-Tuner card.

Step 17. Pull the TV-Tuner card upward to remove it from the card port.



Step 18. Use a flat head screwdriver as a lever to prise out the battery as shown.



Step 19. To install the new motherboard:

- a. Insert the battery (CR2032) into the socket with the side labeled “+” facing up, and press the battery into place.
- b. Insert the notched end of the TV-Tuner card into the card port on the new motherboard and secure it with the 2 screws.
- c. Connect the antenna cable(s) to the TV-Tuner card.
- d. Line up the new motherboard with the chassis and slide it into position. Align the holes on the new motherboard with the mounting holes on the chassis and secure it to the chassis with the screws.
- e. Attach the optical drive eject board, solid state disk, optical drive, CPU, heat-sink, system fan, memory module, hard disk drive to the new motherboard.
- f. Connect all the cables to the new motherboard.

Step 20. Reattach the base cover and secure it with the screws.

---

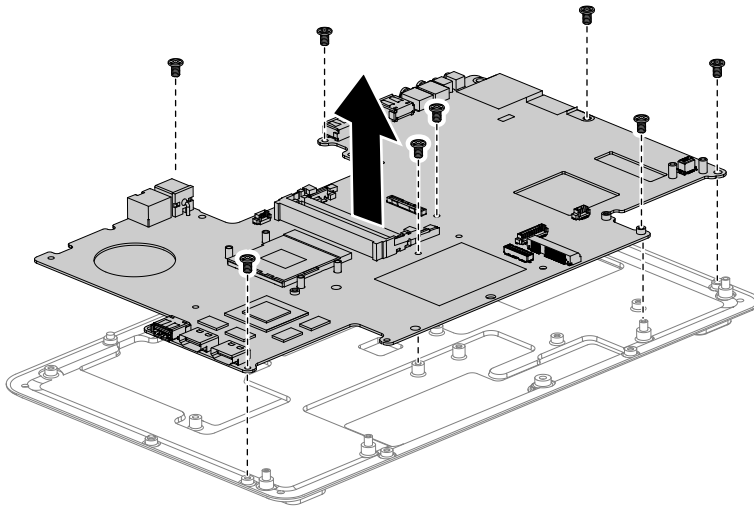
## Replacing the speaker system

**Note:** Turn off the computer and wait 3 to 5 minutes to let it cool down before removing the cover.

### To replace the speaker system:

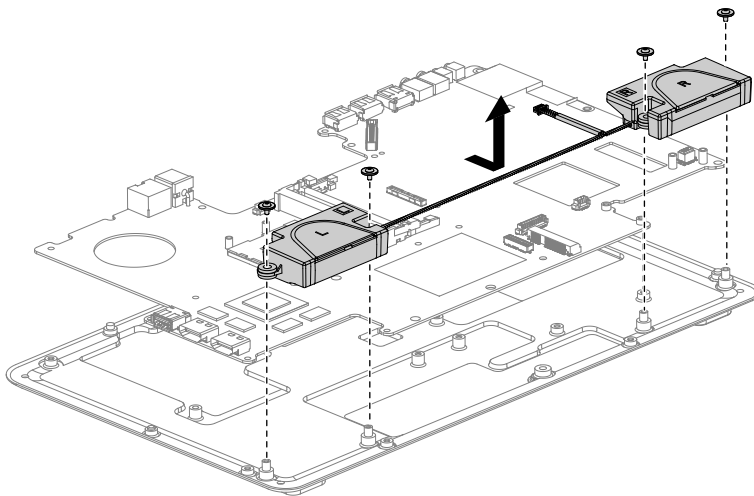
- Step 1. Remove any media (disks, CDs, DVDs, or memory cards) from the drives, shut down the operating system, and turn off the computer and all attached devices.
- Step 2. Unplug all power cords from electrical outlets.
- Step 3. Disconnect all cables attached to the computer. This includes power cords, input/output (I/O) cables, and any other cables that are connected to the computer. Refer to “Left and right view” and “Rear view” for help with locating the various connectors.
- Step 4. Remove the base cover. Refer to “Removing the base cover”.
- Step 5. Remove the hard disk drive. Refer to “Replacing the hard disk drive”.
- Step 6. Remove the heat-sink. Refer to “Replacing the heat-sink”.
- Step 7. Remove the optical drive. Refer to “Replacing the optical drive”.
- Step 8. Remove the hinge from the chassis. Refer to “Removing the hinge from the chassis”.
- Step 9. Disconnect the speaker cable from the connectors on the motherboard.

Step 10. Remove the 8 screws that secure the motherboard to the chassis and slide it out as shown.



Step 11. Remove the 4 screws that secure the speaker system to the motherboard.

Step 12. Detach the speaker from the chassis.



Step 13. To install the new speaker system:

- a. Attach the new speaker cable to the chassis.
- b. Line up the motherboard with the chassis and slide it into position. Align the holes on the motherboard with the mounting holes on the chassis and secure it to the chassis with the 8 screws.
- c. Line up the new speaker system with the motherboard and secure it with the 4 screws.
- d. Connect the new speaker cable to the motherboard.

Step 14. Reattach the optical drive, heat-sink, and hard disk drive to the motherboard.

Step 15. Reattach the hinge to the chassis, and reconnect the touch and LED panel cables to the motherboard.

Step 16. Reattach the base cover and secure it with the screws.

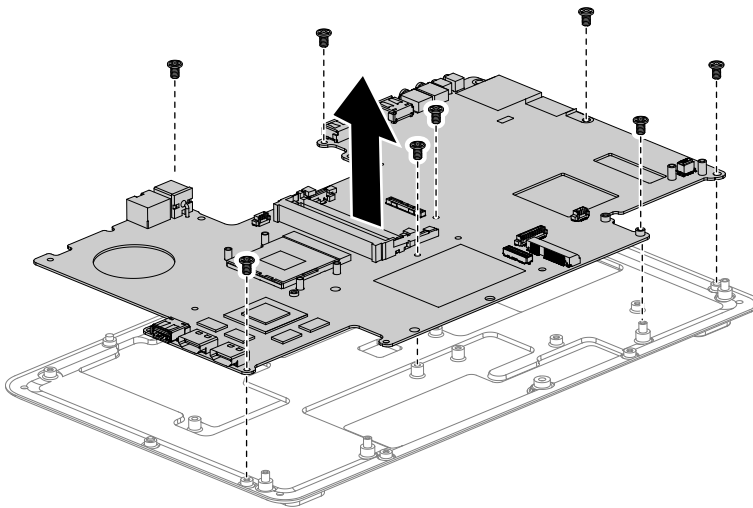
---

## Replacing the TV tuner card

**Note:** Turn off the computer and wait 3 to 5 minutes to let it cool down before removing the cover.

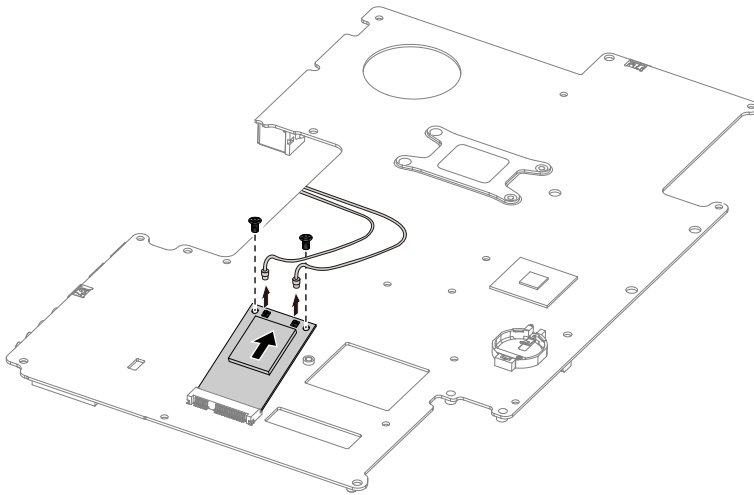
### To replace the TV tuner card

- Step 1. Remove any media (disks, CDs, DVDs, or memory cards) from the drives, shut down the operating system, and turn off the computer and all attached devices.
- Step 2. Unplug all power cords from electrical outlets.
- Step 3. Disconnect all cables attached to the computer. This includes power cords, input/output (I/O) cables, and any other cables that are connected to the computer. Refer to “Left and right view” and “Rear view” for help with locating the various connectors.
- Step 4. Remove the base cover. Refer to “Removing the base cover”.
- Step 5. Remove the hard disk drive. Refer to “Replacing the hard disk drive”.
- Step 6. Remove the heat-sink. Refer to “Replacing the heat-sink”.
- Step 7. Remove the optical drive. Refer to “Replacing the optical drive”.
- Step 8. Remove the hinge from the chassis. Refer to “Removing the hinge from the chassis”.
- Step 9. Remove all the cables connected to the motherboard.
- Step 10. Remove the 8 screws that secure the motherboard to the chassis and slide it out as shown.



- Step 11. Remove the 2 screws that secure the TV-Tuner card to the motherboard.
- Step 12. Disconnect the antenna cable(s) from the TV-Tuner card.

Step 13. Pull the TV-Tuner card upward to remove it from the card port on the motherboard.



Step 14. To install the new TV-Tuner card:

- a. Insert the notched end of the TV-Tuner card into the card port on the motherboard.
- b. Secure the new TV-Tuner card to the motherboard with the 2 screws.
- c. Connect the antenna cable(s) to the new TV-Tuner card.

Step 15. Line up motherboard with the chassis and slide it into position. Align the holes on the motherboard with the mounting holes on the chassis and secure it to the chassis with the screws.

Step 16. Reattach the optical drive, heat-sink, and hard disk drive to the motherboard.

Step 17. Reattach the hinge to the chassis, and reconnect the touch and LED panel cables to the motherboard.

Step 18. Reconnect all the cables back to the motherboard.

Step 19. Reattach the base cover and secure it with the screws.

---

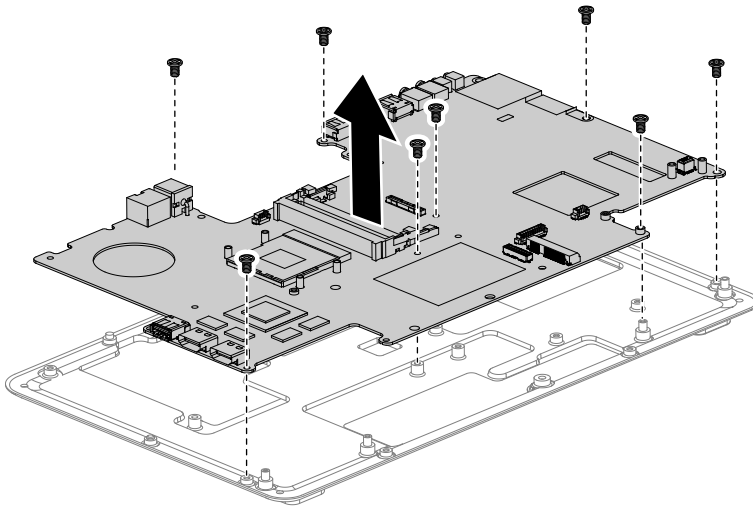
## Replacing the battery

**Note:** Turn off the computer and wait 3 to 5 minutes to let it cool down before removing the cover.

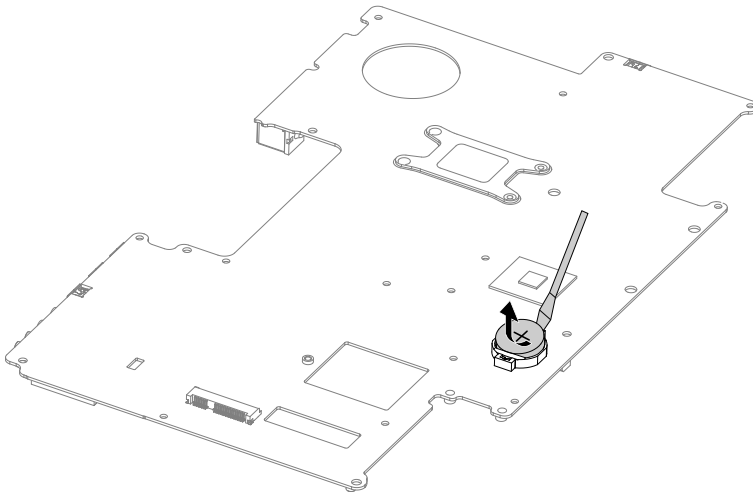
### To replace the battery

- Step 1. Remove any media (disks, CDs, DVDs, or memory cards) from the drives, shut down the operating system, and turn off the computer and all attached devices.
- Step 2. Unplug all power cords from electrical outlets.
- Step 3. Disconnect all cables attached to the computer. This includes power cords, input/output (I/O) cables, and any other cables that are connected to the computer. Refer to “Left and right view” and “Rear view” for help with locating the various connectors.
- Step 4. Remove the base cover. Refer to “Removing the base cover”.
- Step 5. Remove the hard disk drive. Refer to “Replacing the hard disk drive”.
- Step 6. Remove the heat-sink. Refer to “Replacing the heat-sink”.
- Step 7. Remove the optical drive. Refer to “Replacing the optical drive”.
- Step 8. Remove the hinge from the chassis. Refer to “Removing the hinge from the chassis”.
- Step 9. Remove all the cables connected to the motherboard.

Step 10. Remove the 8 screws that secure the motherboard to the chassis and slide it out as shown.



Step 11. Use a flat head screwdriver as a lever to prise out the battery as shown.



Step 12. To install the new battery:

- a. Insert the new battery (CR2032) into the socket with the side labeled “+” facing up, and press the battery into place.

Step 13. Line up the motherboard with the chassis and slide it into position. Align the holes on the motherboard with the mounting holes on the chassis and secure it to the chassis with the screws.

Step 14. Reattach the optical drive, heat-sink, and hard disk drive to the motherboard.

Step 15. Reattach the hinge to the chassis, and reconnect the touch and LED panel cables to the motherboard.

Step 16. Reconnect all the cables back to the motherboard.

Step 17. Reattach the base cover and secure it with the screws.

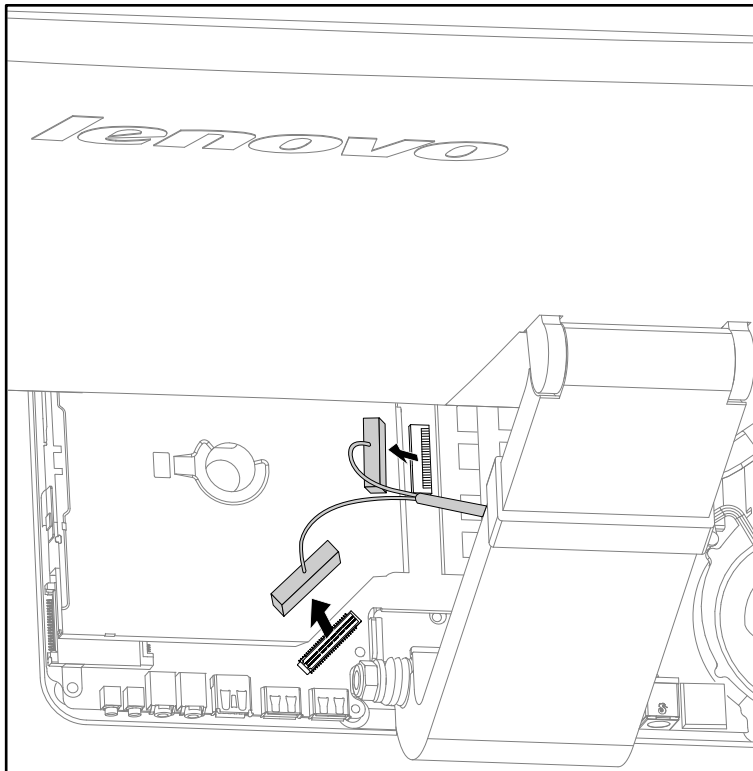
---

## Removing the hinge from the chassis

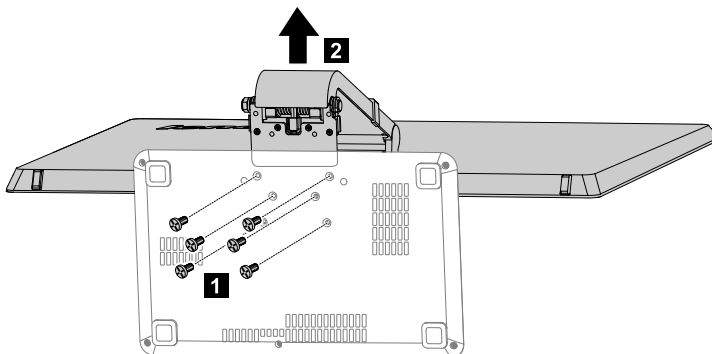
**Note:** Turn off the computer and wait 3 to 5 minutes to let it cool down before removing the cover.

**To remove the hinge from the chassis**

- Step 1. Remove any media (disks, CDs, DVDs, or memory cards) from the drives, shut down the operating system, and turn off the computer and all attached devices.
- Step 2. Unplug all power cords from electrical outlets.
- Step 3. Disconnect all cables attached to the computer. This includes power cords, input/output (I/O) cables, and any other cables that are connected to the computer. Refer to “Left and right view” and “Rear view” for help with locating the various connectors.
- Step 4. Remove the base cover. Refer to “Removing the base cover”.
- Step 5. Disconnect the touch and LED panel cables from the connectors on the motherboard.



- Step 6. Remove the 6 screws that secure the hinge to the chassis **1**, then raise the hinge to remove it from the chassis. **2**



- Step 7. To reattach the hinge to the chassis:
  - a. Line up the hinge with the chassis and slide the hinge into position.
  - b. Secure the hinge to the chassis with the 6 screws.
  - c. Reconnect the touch and LED panel cables to the motherboard.

Step 8. Reattach the base cover and secure it with the screws.

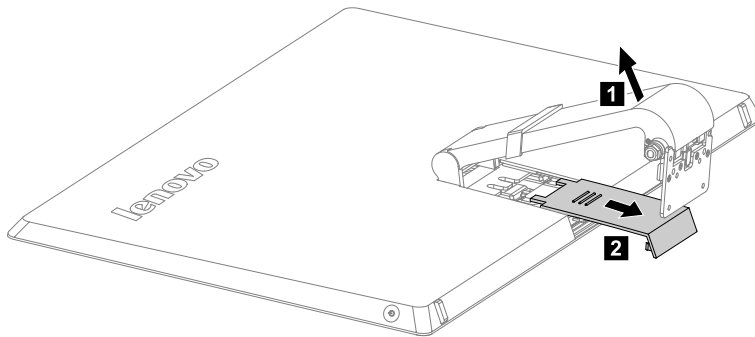
---

## Removing the rear cover

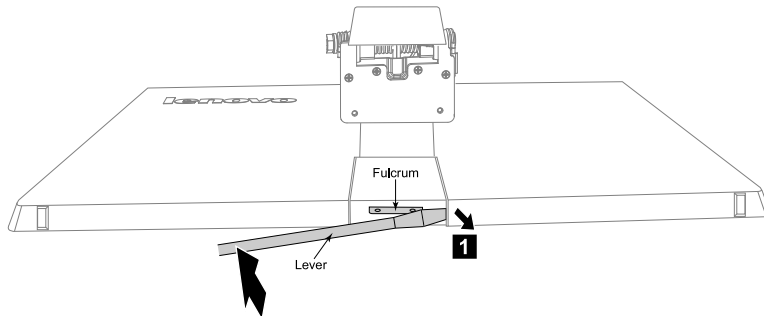
**Note:** Turn off the computer and wait 3 to 5 minutes to let it cool down before removing the cover.

### To remove the rear cover

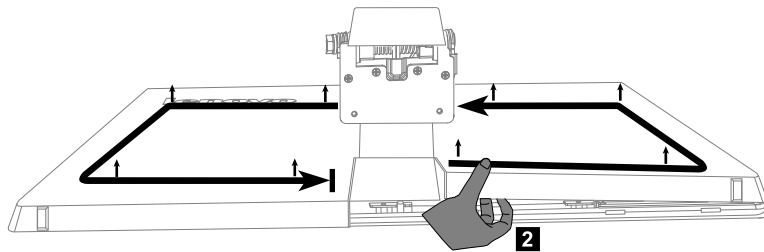
- Step 1. Remove any media (disks, CDs, DVDs, or memory cards) from the drives, shut down the operating system, and turn off the computer and all attached devices.
- Step 2. Unplug all power cords from electrical outlets.
- Step 3. Disconnect all cables attached to the computer. This includes power cords, input/output (I/O) cables, and any other cables that are connected to the computer. Refer to “Left and right view” and “Rear view” for help with locating the various connectors.
- Step 4. Remove the base cover. Refer to “Removing the base cover”.
- Step 5. Remove the hinge from the chassis. Refer to “Removing the hinge from the chassis”.
- Step 6. Raise the hinge **1** and slide the rear deco out as shown. **2**



- Step 7. Put the head of a flat head screwdriver between the middle frame and the rear cover as shown. Then using the screwdriver as a lever and the middle frame metal bar as the fulcrum, prise the rear cover away from the middle frame. **1**



- Step 8. Working around the edge in an anti-clockwise direction, use your fingers to prise up the rear cover. The rear cover is pinned into place, use short, sharp movements to prise it up. **2**



- Step 9. Press down the hinge and slide out the rear cover.
- Step 10. To reattach the rear cover:
- Raise the hinge, line up the rear cover with the LED panel and slide it back into position.
  - Press the edge of rear cover to lock the cover to the LED panel with the pins.
  - Slide the rear deco back into position.
- Step 11. Reattach the hinge to the chassis, and reconnect the touch and LED panel cables back to the motherboard.
- Step 12. Reattach the base cover and secure it with the screws.

---

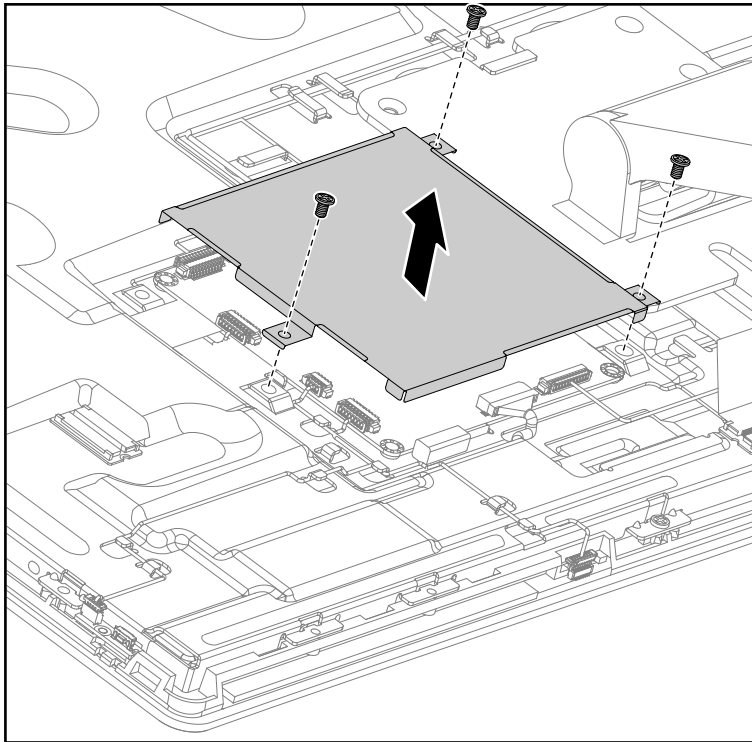
## Replacing the scalar board

**Note:** Turn off the computer and wait 3 to 5 minutes to let it cool down before removing the cover.

### To replace the scalar board

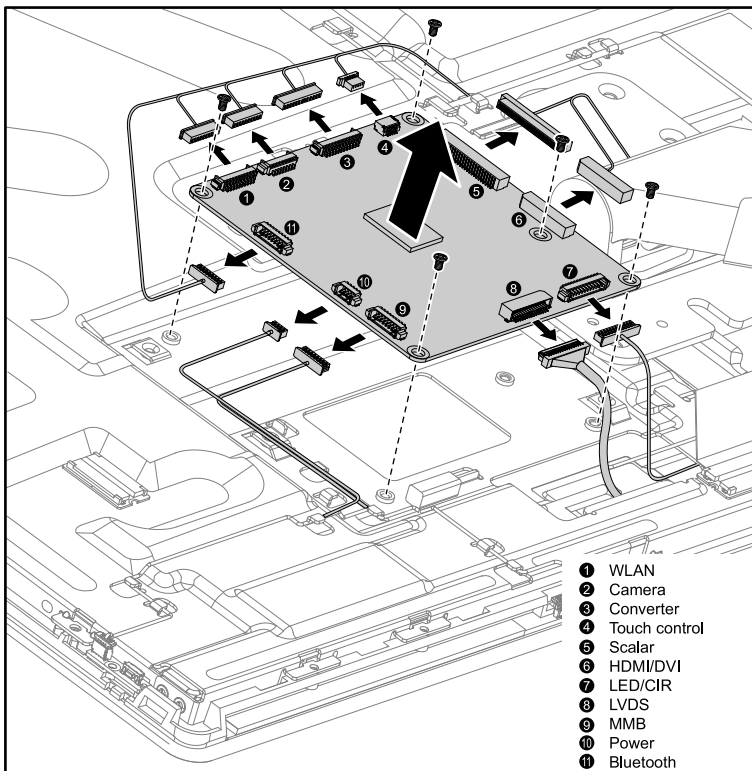
- Step 1. Remove any media (disks, CDs, DVDs, or memory cards) from the drives, shut down the operating system, and turn off the computer and all attached devices.
- Step 2. Unplug all power cords from electrical outlets.
- Step 3. Disconnect all cables attached to the computer. This includes power cords, input/output (I/O) cables, and any other cables that are connected to the computer. Refer to “Left and right view” and “Rear view” for help with locating the various connectors.
- Step 4. Remove the base cover. Refer to “Removing the base cover”.
- Step 5. Remove the hinge from the chassis. Refer to “Removing the hinge from the chassis”.
- Step 6. Remove the rear cover. Refer to “Removing the rear cover”.
- Step 7. Remove the 3 screws that secure the scalar shielding to the middle frame.

Step 8. Remove the scalar shielding and set it aside.



Step 9. Disconnect all the cables from the scalar board.

Step 10. Remove the 5 screws that secure the scalar board to the middle frame and lift it up to remove it.



Step 11. To install the new scalar board:

- a. Line up the holes on the new scalar board with the mounting holes on the middle frame and secure it with the 5 screws.
- b. Connect all the cables to the new scalar board.
- c. Reattach the scalar shielding to the middle frame with the 3 screws.

Step 12. Reattach the rear cover to the LED panel.

Step 13. Reattach the hinge to the chassis, and reconnect the touch and LED panel cables back to the motherboard.

Step 14. Reattach the base cover and secure it with the screws.

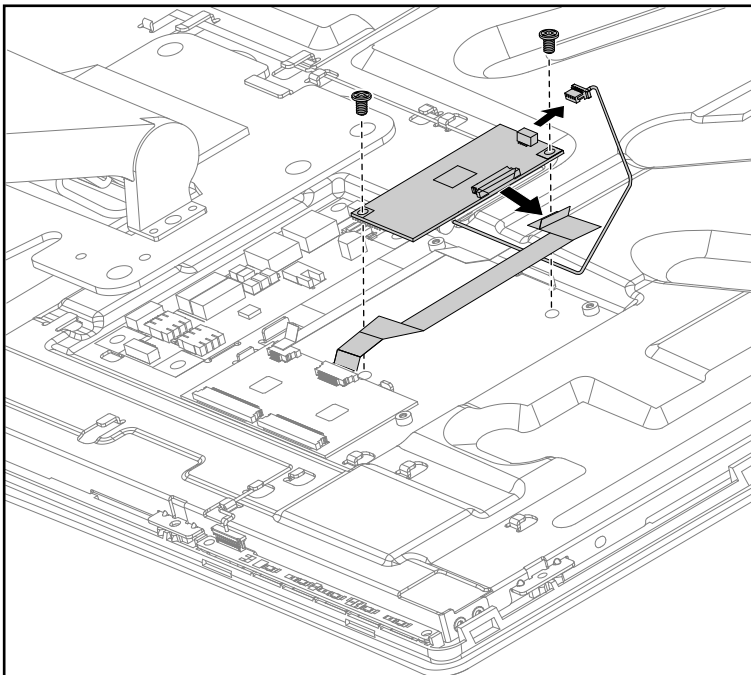
---

## Replacing the touch control board

**Note:** Turn off the computer and wait 3 to 5 minutes to let it cool down before removing the cover.

### To replace the touch control board:

- Step 1. Remove any media (disks, CDs, DVDs, or memory cards) from the drives, shut down the operating system, and turn off the computer and all attached devices.
- Step 2. Unplug all power cords from electrical outlets.
- Step 3. Disconnect all cables attached to the computer. This includes power cords, input/output (I/O) cables, and any other cables that are connected to the computer. Refer to “Left and right view” and “Rear view” for help with locating the various connectors.
- Step 4. Remove the base cover. Refer to “Removing the base cover”.
- Step 5. Remove the hinge from the chassis. Refer to “Removing the hinge from the chassis”.
- Step 6. Remove the rear cover. Refer to “Removing the rear cover”.
- Step 7. Disconnect all the touch cables from the touch control board.
- Step 8. Remove the 2 screws that secure the touch control board to the middle frame.
- Step 9. Lift up the touch control board to remove it.



Step 10. To install the new touch control board:

- a. Line up the holes on the new touch control board with the mounting holes on the middle frame and secure it with the 2 screws.
- b. Connect all the cables to the new touch control board.

Step 11. Reattach the rear cover to the LED panel.

Step 12. Reattach the hinge to the chassis, and reconnect the touch and LED panel cables to the motherboard.

Step 13. Reattach the base cover and secure it with the screws.

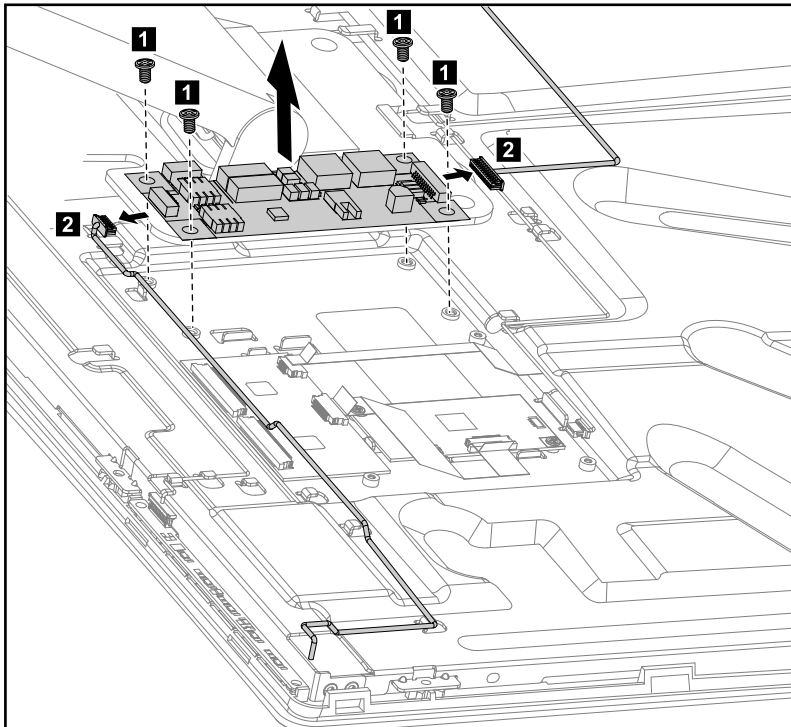
---

## Replacing the converter board

**Note:** Turn off the computer and wait 3 to 5 minutes to let it cool down before removing the cover.

**To replace the converter board:**

- Step 1. Remove any media (disks, CDs, DVDs, or memory cards) from the drives, shut down the operating system, and turn off the computer and all attached devices.
- Step 2. Unplug all power cords from electrical outlets.
- Step 3. Disconnect all cables attached to the computer. This includes power cords, input/output (I/O) cables, and any other cables that are connected to the computer. Refer to “Left and right view” and “Rear view” for help with locating the various connectors.
- Step 4. Remove the base cover. Refer to “Removing the base cover”.
- Step 5. Remove the hinge from the chassis. Refer to “Removing the hinge from the chassis”.
- Step 6. Remove the rear cover. Refer to “Removing the rear cover”.
- Step 7. Remove the 4 screws that secure the converter board to the middle frame. **1**
- Step 8. Disconnect the 2 cables from the converter board. **2**
- Step 9. Lift up the converter board to remove it.



Step 10. To install the new converter board:

- a. Line up the holes on the new converter board with the mounting holes on the middle frame and secure it with the 4 screws.
- b. Connect the 2 cables to the new converter board.

Step 11. Reattach the rear cover to the LED panel.

Step 12. Reattach the hinge to the chassis, and reconnect the touch and LED panel cables to the motherboard.

Step 13. Reattach the base cover and secure it with the screws.

---

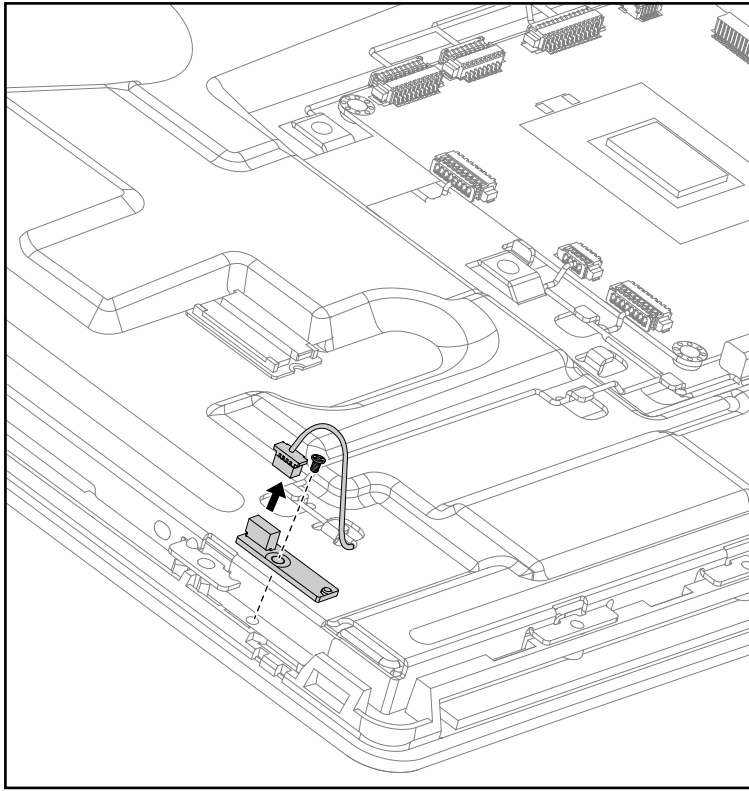
## Replacing the power switch board

**Note:** Turn off the computer and wait 3 to 5 minutes to let it cool down before removing the cover.

### To replace the power switch board

- Step 1. Remove any media (disks, CDs, DVDs, or memory cards) from the drives, shut down the operating system, and turn off the computer and all attached devices.
- Step 2. Unplug all power cords from electrical outlets.
- Step 3. Disconnect all cables attached to the computer. This includes power cords, input/output (I/O) cables, and any other cables that are connected to the computer. Refer to “Left and right view” and “Rear view” for help with locating the various connectors.
- Step 4. Remove the base cover. Refer to “Removing the base cover”.
- Step 5. Remove the hinge from the chassis. Refer to “Removing the hinge from the chassis”.
- Step 6. Remove the rear cover. Refer to “Removing the rear cover”.
- Step 7. Disconnect the power cable from the power switch board.

- Step 8. Remove the screw that secures the power switch board to the LED panel and lift up the power switch board to remove it.



- Step 9. To install the power switch board:
- Line up the hole on the new power switch board with the mounting hole on the LED panel and secure it with the screw.
  - Connect the power cable to the new converter board.
- Step 10. Reattach the rear cover to the LED panel.
- Step 11. Reattach the hinge to the chassis, and reconnect the touch and LED panel cables to the motherboard.
- Step 12. Reattach the base cover and secure it with the screws.

---

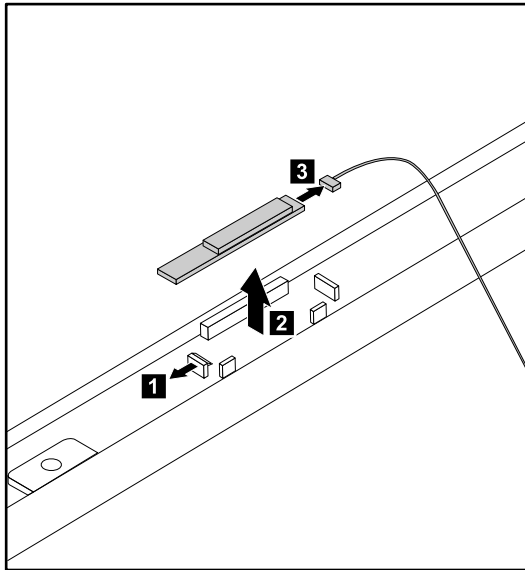
## Replacing the Bluetooth module

**Attention:** Turn off the computer and wait 3 to 5 minutes to let it cool down before removing the cover.

### To replace the Bluetooth module:

- Remove any media (disks, CDs, DVDs, or memory cards) from the drives, shut down the operating system, and turn off the computer and all attached devices.
- Unplug all power cords from electrical outlets.
- Disconnect all cables attached to the computer. This includes power cords, input/output (I/O) cables, and any other cables that are connected to the computer. Refer to “Left and right view” and “Rear view” for help with locating the various connectors.
- Remove the base cover. Refer to “Removing the base cover”.
- Remove the hinge from the chassis. Refer to “Removing the hinge from the chassis”.

- Step 6. Remove the rear cover. Refer to “Removing the rear cover”.
- Step 7. Use a small flat head screwdriver to prise the Bluetooth module away from the socket. **1 2**
- Step 8. Disconnect the cable from the Bluetooth module. **3**



- Step 9. To install the new Bluetooth module:
- Connect the cable to the new Bluetooth module.
  - Line up the new Bluetooth module with the socket, snap it into position and secure it with the pins.
- Step 10. Reattach the rear cover to the LED panel.
- Step 11. Reattach the hinge to the chassis, and reconnect the touch and LED panel cables to the motherboard.
- Step 12. Reattach the base cover and secure it with the screws.

---

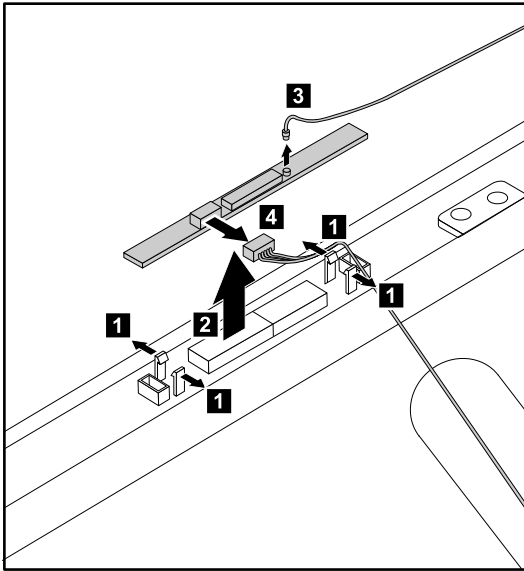
## Replacing the WLAN card

**Note:** Turn off the computer and wait 3 to 5 minutes to let it cool down before removing the cover.

### To replace the WLAN card:

- Step 1. Remove any media (disks, CDs, DVDs, or memory cards) from the drives, shut down the operating system, and turn off the computer and all attached devices.
- Step 2. Unplug all power cords from electrical outlets.
- Step 3. Disconnect all cables attached to the computer. This includes power cords, input/output (I/O) cables, and any other cables that are connected to the computer. Refer to “Left and right view” and “Rear view” for help with locating the various connectors.
- Step 4. Remove the base cover. Refer to “Removing the base cover”.
- Step 5. Remove the hinge from the chassis. Refer to “Removing the hinge from the chassis”.
- Step 6. Remove the rear cover. Refer to “Removing the rear cover”.
- Step 7. Use a small flat head screwdriver to prise the WLAN card away from the socket. **1 2**
- Step 8. Disconnect the antenna cable **3** and data cable from the WLAN card. **4**

Step 9. Lift up the WLAN card to remove it from the socket.



Step 10. To install the new WLAN card:

- a. Connect the data cable to the new WLAN card.
- b. Line up the new WLAN card with the socket, snap it into position and secure it with the pins.
- c. Connect the antenna cable to the new WLAN card.

Step 11. Reattach the rear cover to the LED panel.

Step 12. Reattach the hinge to the chassis, and reconnect the touch and LED panel cables to the motherboard.

Step 13. Reattach the base cover and secure it with the screws.

---

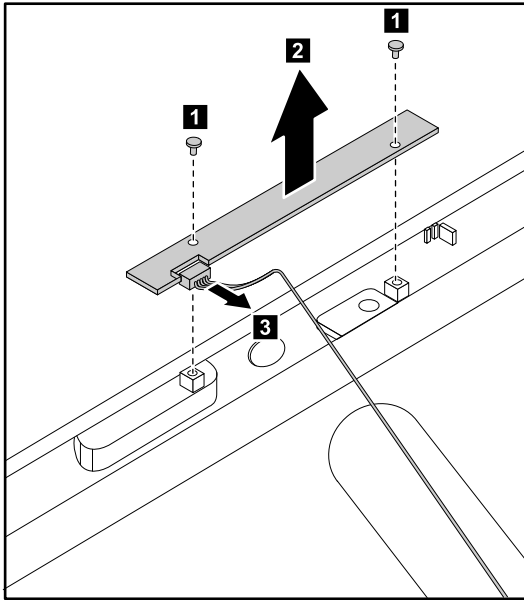
## Replacing the camera

**Note:** Turn off the computer and wait 3 to 5 minutes to let it cool down before removing the cover.

### To replace the camera:

- Step 1. Remove any media (disks, CDs, DVDs, or memory cards) from the drives, shut down the operating system, and turn off the computer and all attached devices.
- Step 2. Unplug all power cords from electrical outlets.
- Step 3. Disconnect all cables attached to the computer. This includes power cords, input/output (I/O) cables, and any other cables that are connected to the computer. Refer to “Left and right view” and “Rear view” for help with locating the various connectors.
- Step 4. Remove the base cover. Refer to “Removing the base cover”.
- Step 5. Remove the hinge from the chassis. Refer to “Removing the hinge from the chassis”.
- Step 6. Remove the rear cover. Refer to “Removing the rear cover”.
- Step 7. Remove the 2 screws that secure the camera to the front bezel. **1**

Step 8. Lift up the camera **2** and disconnect the data cable from the camera. **3**



Step 9. To install the new camera:

- a. Connect the data cable to the new camera.
- b. Line up the holes in the new camera with the mounting holes on the front bezel and secure it with the 2 screws.

Step 10. Reattach the rear cover to the LED panel.

Step 11. Reattach the hinge to the chassis, and reconnect the touch and LED panel cables to the motherboard.

Step 12. Reattach the base cover and secure it with the screws.

---

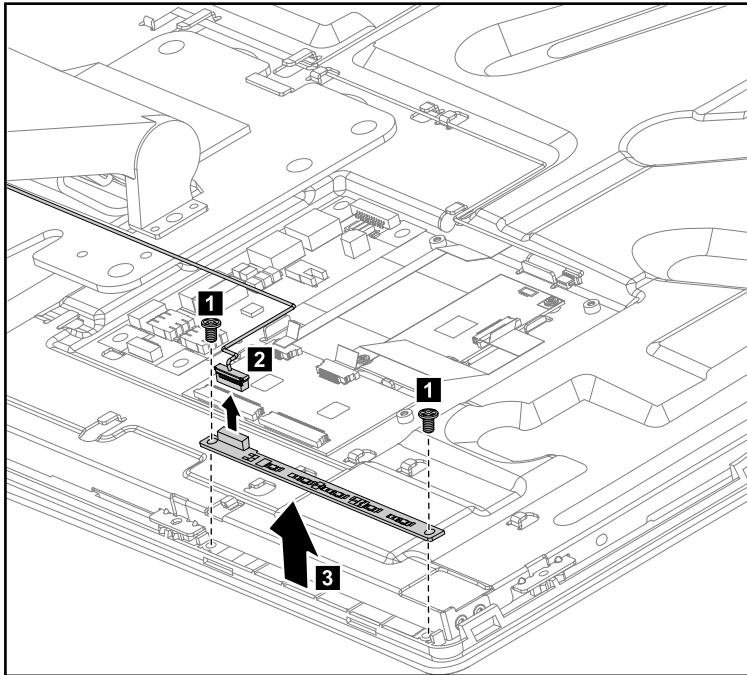
## Replacing the front function board

**Note:** Turn off the computer and wait 3 to 5 minutes to let it cool down before removing the cover.

**To replace the front function board:**

- Step 1. Remove any media (disks, CDs, DVDs, or memory cards) from the drives, shut down the operating system, and turn off the computer and all attached devices.
- Step 2. Unplug all power cords from electrical outlets.
- Step 3. Disconnect all cables attached to the computer. This includes power cords, input/output (I/O) cables, and any other cables that are connected to the computer. Refer to “Left and right view” and “Rear view” for help with locating the various connectors.
- Step 4. Remove the base cover. Refer to “Removing the base cover”.
- Step 5. Remove the hinge from the chassis. Refer to “Removing the hinge from the chassis”.
- Step 6. Remove the rear cover. Refer to “Removing the rear cover”.
- Step 7. Remove the 2 screws that secure the front function board to the front bezel. **1**
- Step 8. Disconnect the data cable from the front function board. **2**

Step 9. Lift up the front function board to remove it from the front bezel. **3**



Step 10. To install the new front function board:

- a. Connect the data cable to the new front function board.
- b. Line up the holes in the new front function board with the mounting holes on the front bezel and secure it with the 2 screws.

Step 11. Reattach the rear cover to the LED panel.

Step 12. Reattach the hinge to the chassis, and reconnect the touch and LED panel cables to the motherboard.

Step 13. Reattach the base cover and secure it with the screws.

---

## Replacing the LED panel

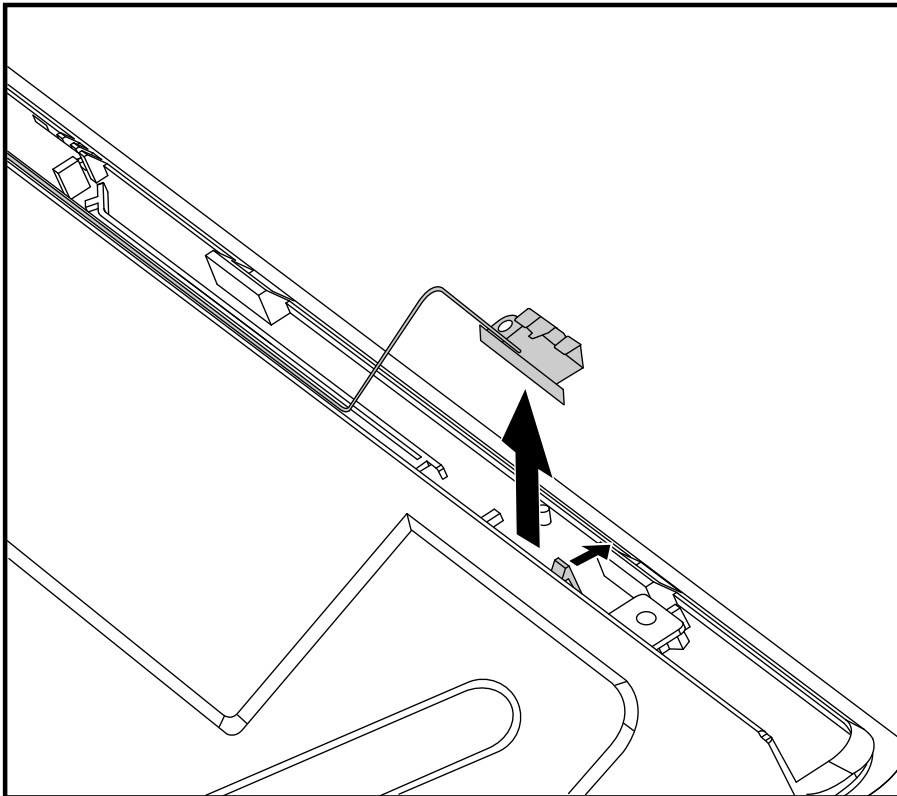
**Note:** Turn off the computer and wait 3 to 5 minutes to let it cool down before removing the cover.

**Note:** It may be helpful to place the computer face-down on a soft flat surface for this procedure. Lenovo recommends that you use a blanket, towel, or other soft cloth to protect the computer screen from scratches or other damage.

### To replace the LED panel:

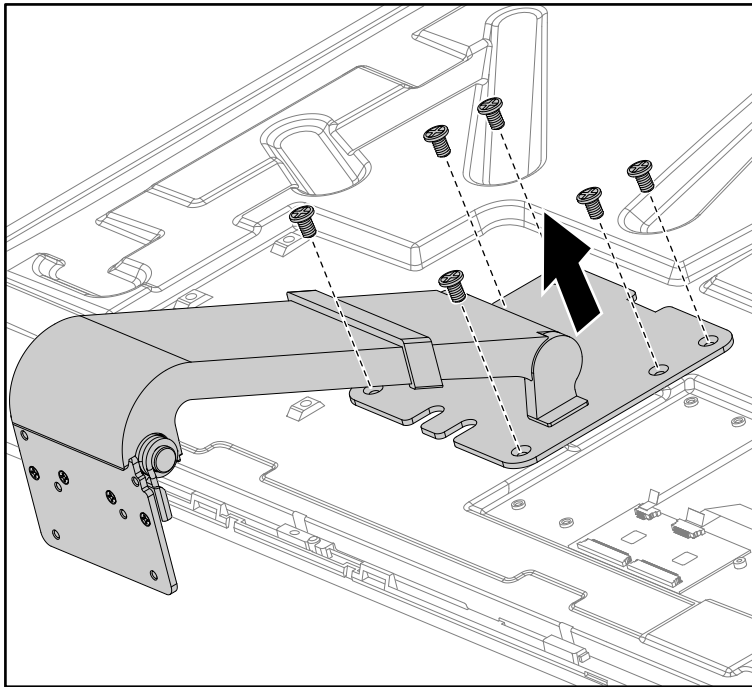
- Step 1. Remove any media (disks, CDs, DVDs, or memory cards) from the drives, shut down the operating system, and turn off the computer and all attached devices.
- Step 2. Unplug all power cords from electrical outlets.
- Step 3. Disconnect all cables attached to the computer. This includes power cords, input/output (I/O) cables, and any other cables that are connected to the computer. Refer to “Left and right view” and “Rear view” for help with locating the various connectors.
- Step 4. Remove the base cover. Refer to “Removing the base cover”.
- Step 5. Remove the hinge from the chassis. Refer to “Removing the hinge from the chassis”.
- Step 6. Remove the rear cover. Refer to “Removing the rear cover”.

- Step 7. Remove the scalar board. Refer to “Replacing the scalar board”.
- Step 8. Remove the touch control board. Refer to “Replacing the touch control board”.
- Step 9. Remove the converter board. Refer to “Replacing the converter board ”.
- Step 10. Remove the power switch board. Refer to “Replacing the power switch board”.
- Step 11. Remove the Bluetooth module. Refer to “Replacing the Bluetooth module”.
- Step 12. Remove the WLAN card. Refer to “Replacing the WLAN card”.
- Step 13. Remove the WLAN antenna cable from the front bezel.



- Step 14. Remove the camera. Refer to “Replacing the camera”.
- Step 15. Remove the front function board. Refer to “Replacing the front function board”.
- Step 16. Remove all the cables attached to the middle frame and the front bezel.

Step 17. Remove the 6 screws that secure the hinge to the middle frame and set the hinge aside.



Step 18. To install the new the LED panel:

- a. Line up the holes on the hinge with the mounting holes on the new middle frame and secure it with 6 screws.
- b. Attach all the cables to the new LED panel middle frame and front bezel.
- c. Attach the WLAN card, Bluetooth module, power switch board, converter board, touch control board, scalar board and front function board to the new LED panel middle frame and connect all the cables to the new LED panel.

Step 19. Reattach the rear cover to the LED panel.

Step 20. Reattach the hinge to the chassis, and reconnect the touch and LED panel cables to the motherboard.

Step 21. Reattach the base cover and secure it with the screws.

---

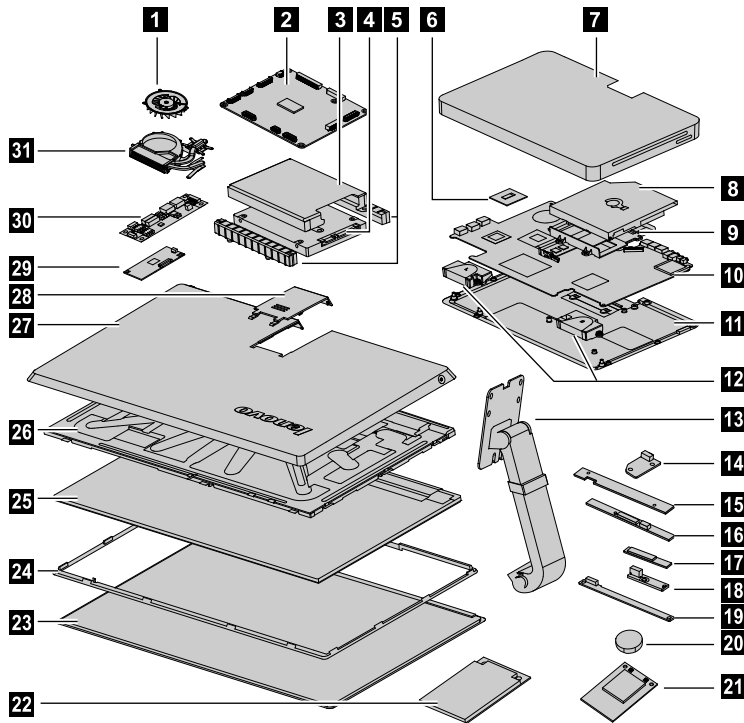
## FRU lists

This chapter lists the information on the field replaceable units (FRUs).

**Attention:** Be sure to read and understand all the safety information before replacing any FRUs.

**Notes:** FRUs that have a 1 or 2 in the CRU column are Customer Replaceable Units (CRUs).

- 1- identifies parts that are fairly simple to replace, requiring few or no tools.
- 2- identifies parts that are slightly more difficult to replace.
- N-identifies parts that are not to be replaced by the customer.



| Item #                                    | FRUs                                      | Service Part Number (FRU #) | CRU ID |
|---|---|-----------------------------|--------|
| 10  | <b>Motherboard</b>                        |                             |        |
|   | A730 2G_PGS_GPU W/HDMI_IN/TV2 MB          | 90002643                    | N      |
|   | A730 2G_PGV2_GPU W/HDMI_IN/TV2 MB         | 90002644                    | N      |
|   | A730 2G_PGS_GPU W/HDMI_IN/TV MB           | 90003043                    | N      |
|   | A730 2G_PGV2_GPU W/HDMI_IN/TV MB          | 90003044                    | N      |
|   | A730 2G_PGS_GPU W/HDMI_IN W/O TV MB       | 90003045                    | N      |
|   | A730 2G_PGV2_GPU W/HDMI_IN W/O TV MB      | 90003046                    | N      |
|   | A730 2G_PGS_GPU W/O HDMI_IN W/O TV MB     | 90003047                    | N      |
|   | A730 2G_PGV2_GPU W/O HDMI_IN W/O TV MB    | 90003048                    | N      |
|   | <b>CPU</b>                                |                             |        |
|   | Intel I7-4700MQ 2.4G 4cPGA CPU            | 102500540                   | N      |
|   | <b>Memory</b>                             |                             |        |
|   | M471B5773DH0-YK0                          | 1100642                     | N      |
|   | HMT425S6AFR6A-PB                          | 1100643                     | N      |
|   | MT8KTF25664HZ-1G6M1                       | 1100228                     | N      |
|   | Elp_R J2108EDBG-GN-F 2GB D3L-1600S Memory | 1100750                     | N      |
|   | Mic_S D9PFJ 2GB D3L-1600S Memory          | 1100683                     | N      |
|   | M471B5273DH0-YK0                          | 1100637                     | N      |
|   | HMT451S6AFR8A-PB                          | 1100638                     | N      |
|   | MT8KTF51264HZ-1G6J1                       | 1100639                     | N      |
| Elp_R J4208EBBG-GN-F 4GB D3L-1600S Memory | 1100640                                   | N                           |        |

|    |   |          |   |
|----|---|----------|---|
|    | Mic_S D9QVG 4GB D3L-1600S Memory          | 1100672  | N |
|    | M471B1G73BH0-YK0                          | 1100633  | N |
|    | HMT41GS6AFR8A-PB                          | 1100634  | N |
|    | MT16KTF1G64HZ-1G6E1                       | 1100635  | N |
|    | Elp_R J4208EBBG-GN-F 8GB D3L-1600S Memory | 1100636  | N |
| 4  | <b>Hard disk drive</b>                    |          |   |
|    | HGST HTS545050A7E380 5400PRM7mm 500G HDD  | 16200067 | N |
|    | ST500LT012 5.4K 7mm 500G HDD              | 16200211 | N |
|    | WD5000LPVT-08G33T1 7mm 5.4K rpm 500G HDD  | 16200264 | N |
|    | HTS541010A9E680 9.5 5.4K 1T HDD           | 16200193 | N |
|    | WD WD10JPVT-24A1YT0 5400PRM 9.5mm 1T HDD  | 16200071 | N |
|    | A720 HDD Cable                            | 90200731 | N |
|    | A720 HDD Bracket                          | 90200753 | N |
| 21 | <b>Solid state disk</b>                   |          |   |
|    | SGT KahunaV 500G ST500LM000 SSHD-LH       | 16200420 | N |
|    | SGT KahunaV 1TB ST1000LM014 SSHD-LH       | 16200421 | N |
| 8  | <b>Optical disk drive</b>                 |          |   |
|    | HLDS CA40N Slim Slot BD Combo             | 25205779 | N |
|    | Panasonic UJ265 Slot BD Combo光驱-LH        | 25209300 | N |
|    | HLDS GA31N Slim SATA Slot DVDRW           | 25009580 | N |
|    | A720 ODD Cable                            | 90200732 | N |
| 14 | <b>A720 ODD EJECT BOARD</b>               | 90000217 | N |
| 9  | <b>A720 ODD Bracket</b>                   | 90200752 | N |
|    | <b>Power Supply</b>                       |          |   |
|    | FSP150-RAB 150W adapter®                  | 36001876 | 1 |
|    | Lieton PA-1151-11VA 150w adapter(R)       | 36001875 | 1 |
|    | DELTA ADP-170CB BB 170W adapter ®         | 36200390 | 1 |
| 31 | <b>Heat-sink</b>                          |          |   |
|    | A730 CMR 47W DIS HEAT SINK                | 90202529 | N |
|    | A730 AVC 47W DIS HEAT SINK                | 90202530 | N |
| 1  | <b>System fan</b>                         |          |   |
|    | A720 Delta DIS 45W Fan                    | 90200584 | N |
|    | A720 AVC DIS 45W Fan                      | 90201256 | N |
| 16 | <b>WLAN card</b>                          |          |   |
|    | A720 Wlan Card W/CABLE                    | 90000171 | N |
|    | A720 WLAN Data Cable                      | 90201832 | N |
|    | A720 Wlan Anntena                         | 90200739 | N |

|    |  |           |   |
|----|--|-----------|---|
| 22 | <b>TV-Tuner card</b>                   |           |   |
|    | Avermedia H334 DVB-T Mini TV Card      | 11201071  | N |
|    | Avermedia H339BB DVB-T Mini TV Card    | 11200290  | N |
|    | Avermedia H334 ATSC Mini TV Card       | 11201072  | N |
|    | Avermedia H339BA ATSC Mini TV Card     | 11200291  | N |
|    | A720 TV Tunner Cable For NTSL          | 90201142  | N |
|    | A720 TV Tunner Cable For PAL           | 90201143  | N |
|    | <b>Remote control</b>                  |           |   |
|    | Philips Win8 Controller(R)             | 888900007 | 1 |
|    | Philips Win7 IR Reveiver(R)            | 888010662 | 1 |
| 17 | <b>Bluetooth module</b>                |           |   |
|    | Fcn BCM92070 BT2.1 EDR Flash DT Card®  | 11200978  | N |
|    | USI BCM92070 BT2.1 EDR Flash DT Card®  | 11200979  | N |
|    | A720 Bluetooth Card Cable              | 90200741  | N |
| 15 | <b>Camera</b>                          |           |   |
|    | CCY M720P VC OV9712 2DMIC R Sponge CAM | 20200436  | N |
|    | A730 Webcam Cable                      | 90202752  | N |
| 12 | <b>Speakers</b>                        |           |   |
|    | A720 Speaker(L+R)                      | 90200743  | N |
| 30 | <b>Converter</b>                       |           |   |
|    | A730 Converter Board                   | 90002900  | N |
|    | A720 Converter Cable                   | 90200737  | N |
| 29 | <b>LCD Touch Module</b>                |           |   |
|    | A730 LCD Touch Module For FHD          | 90400125  | N |
|    | A730 LCD Touch Module For QHD          | 90400126  | N |
|    | A730 Touch Control Board               | 90002903  | N |
|    | A730 Stand W/Cable For QHD Panel       | 90202762  | N |
|    | A730 Stand W/Cable For FHD Panel       | 90202763  | N |
|    | <b>Scalar Board</b>                    |           |   |
|    | A730 Scalar Board For FHD Panel        | 90002901  | N |
|    | A730 Scalar Board For QHD Panel        | 90002902  | N |
|    | A720 TOUCH Cable                       | 90200733  | N |

| <b>Wireless KB/MS</b>                   |          |   |
|---|----------|---|
| 2.4G_SILVER_FN_ENGLISH                  | 25209204 | 2 |
| 2.4G_SILVER_FN_EN_MALAYSIA              | 25209205 | 2 |
| 2.4G_SILVER_FN_TC_TAIWAN                | 25209206 | 2 |
| 2.4G_SILVER_FN_THAI                     | 25209207 | 2 |
| 2.4G_SILVER_FN_CZ_SI                    | 25209208 | 2 |
| 2.4G_SILVER_FN_EN_INDIA                 | 25209209 | 2 |
| 2.4G_SILVER_FN_RU_RUSSIA                | 25209210 | 2 |
| 2.4G_SILVER_FN_EN_UK                    | 25209211 | 2 |
| 2.4G_SILVER_FN_NORDIC                   | 25209212 | 2 |
| 2.4G_SILVER_FN_LASSPANISH               | 25209213 | 2 |
| 2.4G_SILVER_FN_LASP_ARGENTINA           | 25209214 | 2 |
| 2.4G_SILVER_FN_ARABIC                   | 25209215 | 2 |
| 2.4G_SILVER_FN_SWISS                    | 25209216 | 2 |
| 2.4G_SILVER_FN_GERMAN                   | 25209217 | 2 |
| 2.4G_SILVER_FN_TURKISH                  | 25209218 | 2 |
| 2.4G_SILVER_FN_SPANISH                  | 25209219 | 2 |
| 2.4G_SILVER_FN_SLOVENIAN                | 25209220 | 2 |
| 2.4G_SILVER_FN_ITALIAN                  | 25209221 | 2 |
| 2.4G_SILVER_FN_HEBREW                   | 25209222 | 2 |
| 2.4G_SILVER_FN_FRENCH                   | 25209223 | 2 |
| 2.4G_SILVER_FN_GREEK                    | 25209224 | 2 |
| 2.4G_SILVER_FN_HUNGARIAN                | 25209225 | 2 |
| 2.4G_SILVER_FN_BULGARIAN                | 25209226 | 2 |
| 2.4G_SILVER_FN_KOREAN                   | 25209227 | 2 |
| 2.4G_SILVER_FN_JAPANESE                 | 25209228 | 2 |
| 2.4G_SILVER_FN_EN_FR_CANADA             | 25209229 | 2 |
| 2.4G_SILVER_FN_PORTUGUESE               | 25209230 | 2 |
| 2.4G_SILVER_FN_BELGIAN                  | 25209231 | 2 |
| 2.4G_SILVER_FN_DUTCH                    | 25209232 | 2 |
| Liteon SM-8861(WW) Mouse Silver         | 25203606 | 2 |
| Liteon SM-8861 Mouse(MY) Silver         | 25203608 | 2 |
| Liteon SM-8861 Mouse(No Battery) Silver | 25203607 | 2 |
| Liteon SM-8861(JP) Mouse-Silver         | 25205774 | 2 |
| Liteon SK-8861(GB) 2.4G KB only-Silver8 | 25209294 | 2 |
| Liteon SK-8861(FR) 2.4G KB only-Silver8 | 25209295 | 2 |
| Liteon SK-8861(DE) 2.4G KB only-Silver8 | 25209296 | 2 |
| Liteon SK-8861(US) 2.4G KB only-Silver8 | 25209812 | 2 |
| Liteon SK-8861(EN-FR) 2.4G KB Only-S8   | 25210193 | 2 |
| Liteon SK-8861(TH) 2.4G KB Only-Silver8 | 25210195 | 2 |

|  |   |          |   |
|--|---|----------|---|
|  | Liteon SK-8861(BE-EN) 2.4G KB Only-S8                   | 25210197 | 2 |
|  | Liteon SK-8861(US-EU) 2.4G KB Only-S8                   | 25210198 | 2 |
|  | Liteon SK-8861(RU) 2.4G KB-Silver8                      | 25210199 | 2 |
|  | Liteon SK-8861(CS-SK) 2.4G KB-Silver8                   | 25210200 | 2 |
|  | Liteon SK-8861(JP) 2.4G KB Only-Silver8                 | 25210201 | 2 |
|  | Liteon SK-8861(Nordic) 2.4G KB Only-S8                  | 25210652 | 2 |
|  | Liteon SK-8861(IT) 2.4G KB Only-Silver8                 | 25210653 | 2 |
|  | Liteon SK-8861(CH) 2.4G KB Only-Silver8                 | 25210752 | 2 |
|  | Liteon SK-8861(ES) 2.4G KB Only-Silver8                 | 25210654 | 2 |
|  | Liteon SK-8861(TW) 2.4G KB Only-Silver8                 | 25210190 | 2 |
|  | Liteon SK-8861(KR) 2.4G KB Only-Silver8                 | 25210191 | 2 |
|  | Liteon SK-8861(LA-AR) 2.4G KB Only-S8                   | 25210192 | 2 |
|  | Liteon SK-8861(LA) 2.4G KB Only-Silver8                 | 25210194 | 2 |
|  | Liteon SK-8861(US-IN) 2.4G KB Only-S8                   | 25210196 | 2 |
|  | Liteon SK-8861(SA) 2.4G KB Only-Silver8                 | 25210744 | 2 |
|  | Liteon N70 2.4G mouse+D for Silver Silk                 | 25209297 | 2 |
|  | Liteon N70 2.4G mouse+D for S Silk JP                   | 25210202 | 2 |
|  | <b>Power Cord</b>                                       |          |   |
|  | longwell Black Single-end 1.0m3wire ULCSA Power Cable   | 31033857 | 1 |
|  | Volex 1m C5 US Power Cable                              | 31033858 | 1 |
|  | Luxshare1.0m C5 US Power Cable                          | 31049517 | 1 |
|  | longwell Black Single-end 1.0m SAA Power Cable          | 31035397 | 1 |
|  | Volex 1m C5 Australia Power Cable                       | 31049500 | 1 |
|  | Luxshare1.0m C5 Australia Power Cable                   | 31049520 | 1 |
|  | Longwell 1.0M C5 2pin Japan power cord                  | 31503423 | 1 |
|  | Volex1.0M C5 2pin Japan power cord                      | 31503424 | 1 |
|  | Luxshare 1.0M C5 2pin Japan power cord                  | 31503425 | 1 |
|  | Grandsun Black Single-end 1.0m3wire CCC Power Cable (R) | 31032953 | 1 |
|  | Luxshare1.0M C5 CCC Power Cable                         | 31045147 | 1 |
|  | longwell Black Single-end 1.0m ASTA Power Cable         | 31035396 | 1 |
|  | Volex 1m C5 UK Power Cable                              | 31049496 | 1 |
|  | Luxshare1.0m C5 UK Power Cable                          | 31503352 | 1 |
|  | longwell Black Single-end 1.0m VDE Power Cable          | 31035332 | 1 |
|  | Volex 1m C5 Europe Power Cable                          | 31049497 | 1 |
|  | Luxshare1.0m C5 Europe Power Cable                      | 31049518 | 1 |
|  | longwell Black Single-end 1.0m India Power Cable        | 31035395 | 1 |
|  | Luxshare1.0m C5 India Power Cable                       | 31503353 | 1 |
|  | Longwell Black Single-end 1.0m Italy C5 Power Cable ®   | 31039104 | 1 |
|  | Volex 1m C5 Italy Power Cable                           | 31049504 | 1 |
|  | Luxshare1.0m C5 Italy Power Cable                       | 31503359 | 1 |

|    |   |          |   |
|----|---|----------|---|
|    | Longwell Black Single-end 1.0m Brazil Power Cable ®         | 31035828 | 1 |
|    | Volex 1m C5 Brazil Power Cable                              | 31049505 | 1 |
|    | Luxshare1.0m C5 Brazil Power Cable                          | 31503357 | 1 |
|    | Longwell Black Single-end 1.0m Argentina C5 Power Cable ®   | 31039100 | 1 |
|    | Volex 1m C5 LA US Power Cable                               | 31049507 | 1 |
|    | Luxshare1.0m C5 LA US Power Cable                           | 31503356 | 1 |
|    | Longwell Black Single-end 1.0m Denmark C5 Power Cable ®     | 31039101 | 1 |
|    | Volex 1m C5Denmarl Power Cable                              | 31049503 | 1 |
|    | Luxshare1.0m C5 Denmarl Power Cable                         | 31503360 | 1 |
|    | Longwell Black Single-end 1.0m Switzerland C5 Power Cable ® | 31039103 | 1 |
|    | Volex 1m C5Switzerland Power Cable                          | 31049508 | 1 |
|    | Luxshare1.0m C5 Switzerland Power Cable                     | 31503361 | 1 |
|    | Longwell Black Single-end 1.0m Israel C5 Power Cable ®      | 31039107 | 1 |
|    | Volex 1m C5 Israel Power Cable                              | 31049502 | 1 |
|    | Luxshare1.0m C5 Isereal Power Cable                         | 31503362 | 1 |
|    | Longwell Black Single-end 1.0m Taiwan C5 Power Cable ®      | 31038885 | 1 |
|    | Volex 1m C5 Taiwan Power Cable                              | 31049499 | 1 |
|    | Luxshare1.0m C5 Taiwan Power Cable                          | 31503354 | 1 |
|    | Longwell Black Single-end 1.0m Korea C5 Power Cable ®       | 31039106 | 1 |
|    | Volex 1m C5 Korea Power Cable                               | 31049498 | 1 |
|    | Luxshare1.0m C5 Korea Power Cable                           | 31503358 | 1 |
|    | Longwell Black Single-end 1.0m SA C5 Power Cable ®          | 31039105 | 1 |
|    | Volex 1m C5 SA Power Cable                                  | 31049501 | 1 |
|    | Luxshare1.0m C5 SA Power Cable                              | 31503355 | 1 |
|    | <b>Mechanical</b>   |          |   |
| 7  | A730 Base Cover W/BCAS W/TV2 W/HDMI                         | 90202757 | N |
|    | A730 Base Cover W/O BCAS W/TV W/HDMI                        | 90202758 | N |
|    | A730 Base Cover W/O BCAS WTV W/O HDMI                       | 90202759 | N |
|    | A730 Base Cover W/O BCAS W/O TV W/HDMI                      | 90202760 | N |
|    | A730 Base Cover W/O BCAS W/O TV W/O HDMI                    | 90202761 | N |
| 18 | <b>A720 Power Board</b>                                     | 90000214 | N |
| 19 | <b>A720 LED Indicator Board</b>                             | 90000216 | N |
| 2  | <b>A720 Scalar Board</b>                                    | 90000218 | N |
|    | <b>A720 PANEL BACK LIGHT CABLE</b>                          | 90200734 | N |
|    | <b>A720 Power Switch Cable</b>                              | 90200735 | N |
|    | <b>A720 LVDS Cable</b>                                      | 90200736 | N |
|    | <b>A720 LED Function Board Cable</b>                        | 90200738 | N |
|    | <b>A720 MMB Cable</b>                                       | 90200742 | N |
| 27 | <b>A720 Back Cover</b>                                      | 90200751 | N |

|    |                                       |          |   |
|----|---------------------------------------|----------|---|
| 28 | A720 Rear Deco                        | 90200754 | N |
|    | A730 Scalar EMI Shielding             | 90202764 | N |
|    | A720 Base Bottom Assy                 | 90201155 | N |
|    | A730 LVDS Cable For QHD Panel (30pin) | 90202753 | N |
|    | A730 LVDS Cable For QHD Panel (40pin) | 90202754 | N |
|    | A730 LVDS Cable For FHD Panel         | 90202765 | N |
|    | A730 TV ANTENNA                       | 90202766 | N |
|    | A730 Scalar Cable For FHD Panel       | 90202767 | N |
|    | A730 Scalar Cable For QHD Panel       | 90202768 | N |
|    | A730 Touch Function Board Cable       | 90202755 | N |
|    | A730 LED Indicator Board Cable        | 90202756 | N |
|    | A720 Power Switch Cable               | 90200735 | N |

---

## Chapter 9. General information

This chapter provides general information that applies to all computer models covered by this manual.

---

### Additional Service Information

This chapter provides additional information that the service representative might find helpful.

#### Power management

Power management reduces the power consumption of certain components of the computer such as the system power supply, processor, hard disk drives, and some monitors.

#### Advanced configuration and power interface (ACPI) BIOS

As this computer has an ACPI BIOS system, the operating system is allowed to control the power management features of the computer and the settings for Advanced Power Management (APM) BIOS mode is ignored. Not all operating systems support ACPI BIOS mode.

#### Automatic Power-On features

The Automatic Power-On features within the Power Management menu allow you to enable and disable features that turn on the computer automatically.

- **Wake Up on Alarm:** You can specify a date and time at which the computer will be turned on automatically. This can be either a single event, a daily event or a weekly event.
- **Wake Up on LAN:** This feature allows LAN adapter card to wake the System.