

lenovo

Lenovo Y480/580

*Hardware
Maintenance
Manual*



Note:

Before using this information and the product it supports, be sure to read the general information under “Notices” on page 98.

First Edition (March 2012)

© Copyright Lenovo 2012. All rights reserved.

LENOVO products, data, computer software, and services have been developed exclusively at private expense and are sold to governmental entities as commercial items as defined by 48 C.F.R. 2.101 with limited and restricted rights to use, reproduction and disclosure.

LIMITED AND RESTRICTED RIGHTS NOTICE: If products, data, computer software, or services are delivered pursuant a General Services Administration “GSA” contract, use, reproduction, or disclosure is subject to restrictions set forth in Contract No. GS-35F-05925.

© 2012 Lenovo

Contents

About this manual	iv	Screw notices	33
Safety information	1	Removing and replacing an FRU	34
General safety	2	1010 Battery pack	35
Electrical safety	3	1020 Dummy card.....	36
Safety inspection guide	5	1030 Hard disk drive(HDD)/Memory/ Mini PCI Express Card slot compartment cover	37
Handling devices that are sensitive to electrostatic discharge.....	6	1040 Hard disk drive	38
Grounding requirements	6	1050 Optical drive.....	40
Safety notices: multilingual translations	7	1060 DIMM	41
Laser compliance statement.....	14	1070 PCI Express Mini Card for wireless LAN/WAN and TV Card	42
Important service information	16	1080 Keyboard.....	44
Strategy for replacing FRUs.....	16	1090 Keyboard bezel	47
Strategy for replacing a hard disk drive	17	1100 System board	51
Important notice for replacing a system board	17	1110 LCD unit.....	55
Important information about replacing RoHS compliant FRUs	18	1120 Fan assembly and Heat Sink assembly.....	58
1130 CPU.....	60	1140 Base cover, speakers and bluetooth card	61
General checkout	19	1150 LCD front bezel.....	65
What to do first	20	1160 LCD panel, LCD cable and hinges...	67
Power system checkout	21	1170 Integrated camera	70
Checking the AC adapter.....	21	Locations	71
Checking operational charging	21	Front view	71
Checking the battery pack	22	Right-side view	72
1140 Base cover, speakers and bluetooth card	61	Bottom and Left-side view	73
1150 LCD front bezel.....	65	Parts list	74
1160 LCD panel, LCD cable and hinges...	67	Overall.....	75
1170 Integrated camera	70	LCD FRUs	84
1130 CPU.....	60	Keyboard.....	87
1140 Base cover, speakers and bluetooth card	61	Miscellaneous parts	93
1150 LCD front bezel.....	65	AC adapters.....	94
1160 LCD panel, LCD cable and hinges...	67	Power cords	95
1170 Integrated camera	70	Notices	98
Locations	71	Trademarks	99
Front view	71		
Right-side view	72		
Bottom and Left-side view	73		
Parts list	74		
Overall.....	75		
LCD FRUs	84		
Keyboard.....	87		
Miscellaneous parts	93		
AC adapters.....	94		
Power cords	95		
Related service information	23		
Restoring the factory contents by using Recovery Disc Set	23		
Start Recovery Disc (one disc).....	23		
Operating System Recovery Disc (one or more discs)	23		
Applications and Drivers Recovery Disc (one or more discs).....	23		
Supplemental Recovery Disc	23		
Passwords.....	24		
Power-on password	24		
Hard-disk password	24		
Supervisor password	24		
Power management	25		
Screen blank mode	25		
Sleep (standby) mode	25		
Hibernation mode	26		
Lenovo Y480/Y580	27		
Specifications	27		
Status indicators	30		
Fn key combinations.....	32		
FRU replacement notices.....	33		

About this manual

This manual contains service and reference information for the following Lenovo product:

IdeaPad Y480/Y580

Use this manual to troubleshoot problems.

The manual is divided into the following sections:

- The common sections provide general information, guidelines, and safety information required for servicing computers.
- The product-specific section includes service, reference, and product-specific parts information.

Important:

This manual is intended only for trained servicers who are familiar with Lenovo products. Use this manual to troubleshoot problems effectively. Before servicing a Lenovo product, make sure to read all the information under “Safety information” on page 1 and “Important service information” on page 16.

Safety information

This chapter presents the following safety information that you need to get familiar with before you service a Lenovo computer:

- “General safety” on page 2
- “Electrical safety” on page 3
- “Safety inspection guide” on page 5
- “Handling devices that are sensitive to electrostatic discharge” on page 6
- “Grounding requirements” on page 6
- “Safety notices: multilingual translations” on page 7
- “Laser compliance statement” on page 14

General safety

Follow these rules below to ensure general safety:

- Observe a good housekeeping in the area where the machines are put during and after the maintenance.
- When lifting any heavy object:
 1. Make sure that you can stand safely without slipping.
 2. Distribute the weight of the object equally between your feet.
 3. Use a slow lifting force. Never move suddenly or twist when you attempt to lift it.
 4. Lift it by standing or pushing up with your leg muscles; this action could avoid the strain from the muscles in your back. Do not attempt to lift any object that weighs more than 16 kg (35 lb) or that you think is too heavy for you.
- Do not perform any action that causes hazards to the customer, or that makes the machine unsafe.
- Before you start the machine, make sure that other service representatives and the customer are not in a hazardous position.
- Please remove covers and other parts in a safe place, away from all personnel, while you are servicing the machine.
- Keep your toolcase away from walk areas so that other people will not trip it over.
- Do not wear loose clothing that can be trapped in the moving parts of the machine. Make sure that your sleeves are fastened or rolled up above your elbows. If your hair is long, fasten it.
- Insert the ends of your necktie or scarf inside clothing or fasten it with the nonconductive clip, about 8 centimeters (3 inches) from the end.
- Do not wear jewelry, chains, metal-frame eyeglasses, or metal fasteners for your clothing.

Attention: Metal objects are good electrical conductors.
- Wear safety glasses when you are hammering, drilling, soldering, cutting wire, attaching springs, using solvents, or working in any other conditions that may be hazardous to your eyes.
- After service, reinstall all safety shields, guards, labels, and ground wires. Replace any safety device that is worn or defective.
- Reinstall all covers correctly before returning the machine to the customer.
- Fan louvers on the machine help to prevent the overheating of internal components. Do not obstruct fan louvers or cover them with labels or stickers.

Electrical safety

Observe the following rules when working on electrical equipments.

Important:

Use only approved tools and test equipments. Some hand tools have handles covered with a soft material that does not insulate you when working with live electrical currents.

Many customers have rubber floor mats near their machines that contain small conductive fibers to decrease electrostatic discharges. Do not use such kind of mat to protect yourself from electrical shock.

- Find the room emergency power-off (EPO) switch, disconnecting switch, or electrical outlet. If an electrical accident occurs, you can then operate the switch or unplug the power cord quickly.
- Do not work alone under hazardous conditions or near the equipment that has hazardous voltages.
- Disconnect all power before:
 - Performing a mechanical inspection
 - Working near power supplies
 - Removing or installing main units
- Before you start to work on the machine, unplug the power cord. If you cannot unplug it, ask the customer to power-off the wall box that supplies power to the machine, and to lock the wall box in the off position.
- If you need to work on a machine that has exposed electrical circuits, observe the following precautions:
 - Ensure that another person, familiar with the power-off controls, is near you.

Attention: Another person must be there to switch off the power, if necessary.
 - Use only one hand when working with powered-on electrical equipment; keep the other hand in your pocket or behind your back.

Attention: An electrical shock can occur only when there is a complete circuit. By observing the above rule, you may prevent a current from passing through your body.
 - When using testers, set the controls correctly and use the approved probe leads and accessories for that tester.
 - Stand on suitable rubber mats (obtained locally, if necessary) to insulate you from grounds such as metal floor strips and machine frames.

Observe the special safety precautions when you work with very high voltages; instructions for these precautions are in the safety sections of maintenance information. Be extremely careful when you measure the high voltages.

- Regularly inspect and maintain your electrical hand tools for safe operational condition.
- Do not use worn or broken tools and testers.
- Never assume that power has been disconnected from a circuit. First, check it to make sure that it has been powered off.

- Always look carefully for possible hazards in your work area. Examples of these hazards are moist floors, nongrounded power extension cables, power surges, and missing safety grounds.
- Do not touch live electrical circuits with the reflective surface of a plastic dental mirror. The surface is conductive; such touching can cause personal injury and machine damage.
- Do not service the following parts with the power on when they are removed from their normal operating places in a machine:
 - Power supply units
 - Pumps
 - Blowers and fans
 - Motor generatorsand similar units. (This practice ensures correct grounding of the units.)
- If an electrical accident occurs:
 - Use caution: do not become a victim yourself.
 - Switch off the power.
 - Send the victim to get medical aid.

Safety inspection guide

The purpose of this inspection guide is to assist you in identifying potential unsafe conditions. As each machine was designed and built, required safety items were installed to protect users and service personnel from injury. This guide addresses only those items. You should use good judgment to identify potential safety hazards due to attachment of non-Lenovo features or options not covered by this inspection guide.

If any unsafe conditions are present, you must determine how serious the apparent hazard could be and whether you can continue without first correcting the problem.

Consider these conditions and the safety hazards they present:

- Electrical hazards, especially primary power (primary voltage on the frame can cause serious or fatal electrical shock)
- Explosive hazards, such as a damaged CRT face or a bulging capacitor
- Mechanical hazards, such as loose or missing hardware

To determine whether there are any potential unsafe conditions, use the following checklist at the beginning of every service task. Begin the checks with the power off, and the power cord disconnected.

Checklist:

1. Check exterior covers for damage (loose, broken, or sharp edges).
2. Turn off the computer. Disconnect the power cord.
3. Check the power cord for:
 - a. A third-wire ground connector in good condition. Use a meter to measure third-wire ground continuity for 0.1 ohm or less between the external ground pin and the frame ground.
 - b. The power cord should be the type specified in the parts list.
 - c. Insulation must not be frayed or worn.
4. Check for cracked or bulging batteries.
5. Remove the cover.
6. Check for any obvious non-Lenovo alterations. Use good judgment as to the safety of any non-Lenovo alterations.
7. Check inside the unit for any obvious unsafe conditions, such as metal filings, contamination, water or other liquids, or signs of fire or smoke damage.
8. Check for worn, frayed, or pinched cables.
9. Check that the power-supply cover fasteners (screws or rivets) have not been removed or tampered with.

Handling devices that are sensitive to electrostatic discharge

Any computer part containing transistors or integrated circuits (ICs) should be considered sensitive to electrostatic discharge (ESD). ESD damage can occur when there is a difference in charge between objects. Protect against ESD damage by equalizing the charge so that the machine, the part, the work mat, and the person handling the part are all at the same charge.

Notes:

1. Use product-specific ESD procedures when they exceed the requirements noted here.
2. Make sure that the ESD protective devices you use have been certified (ISO 9000) as fully effective.

When handling ESD-sensitive parts:

- Keep the parts in protective packages until they are inserted into the product.
- Avoid contact with other people.
- Wear a grounded wrist strap against your skin to eliminate static on your body.
- Prevent the part from touching your clothing. Most clothing is insulative and retains a charge even when you are wearing a wrist strap.
- Use the black side of a grounded work mat to provide a static-free work surface. The mat is especially useful when handling ESD-sensitive devices.
- Select a grounding system, such as those listed below, to provide protection that meets the specific service requirement.

Notes:

The use of a grounding system to guard against ESD damage is desirable but not necessary.

- Attach the ESD ground clip to any frame ground, ground braid, or green-wire ground.
- When working on a double-insulated or battery-operated system, use an ESD common ground or reference point. You can use coax or connector-outside shells on these systems.
- Use the round ground prong of the ac plug on ac-operated computers.

Grounding requirements

Electrical grounding of the computer is required for operator safety and correct system function. Proper grounding of the electrical outlet can be verified by a certified electrician.

Safety notices: multilingual translations

The safety notices in this section are provided in English, French, German, Hebrew, Italian, Japanese, and Spanish.

Safety notice 1

Before the computer is powered on after FRU replacement, make sure all screws, springs, and other small parts are in place and are not left loose inside the computer. Verify this by shaking the computer and listening for rattling sounds. Metallic parts or metal flakes can cause electrical shorts.

Avant de remettre l'ordinateur sous tension après remplacement d'une unité en clientèle, vérifiez que tous les ressorts, vis et autres pièces sont bien en place et bien fixées. Pour ce faire, secouez l'unité et assurez-vous qu'aucun bruit suspect ne se produit. Des pièces métalliques ou des copeaux de métal pourraient causer un court-circuit.

Bevor nach einem FRU-Austausch der Computer wieder angeschlossen wird, muß sichergestellt werden, daß keine Schrauben, Federn oder andere Kleinteile fehlen oder im Gehäuse vergessen wurden. Der Computer muß geschüttelt und auf Klappergeräusche geprüft werden. Metallteile oder-splitter können Kurzschlüsse erzeugen.

לפני הפעלת המחשב לאחר החלפת FRU יש לוודא שכל הברגים, הקפיצים, וחלקים קטנים אחרים נמצאים במקומם ואינם חופשיים לזוז בתוך המחשב. כדי לוודא זאת, יש ללטלט את המחשב ולהקשיב לגילוי קולות שקשוק. חלקי או שבבי מתכת עלולים לגרום לקצרים חשמליים.

Prima di accendere l'elaboratore dopo che é stata effettuata la sostituzione di una FRU, accertarsi che tutte le viti, le molle e tutte le altre parti di piccole dimensioni siano nella corretta posizione e non siano sparse all'interno dell'elaboratore. Verificare ciò scuotendo l'elaboratore e prestando attenzione ad eventuali rumori; eventuali parti o pezzetti metallici possono provocare cortocircuiti pericolosi.

FRUの交換後、コンピュータの電源を入れる前に、ねじ、バネ、その他の小さな部品がすべて正しい位置にあり、またコンピュータの内部で緩んでいないことを確認してください。これを確認するには、コンピュータを振って、カチャカチャと音がしないか確かめませう。金属部品や金属破片はショートの原因になることがあります。

Antes de encender el sistema despues de sustituir una FRU, compruebe que todos los tornillos, muelles y demás piezas pequeñas se encuentran en su sitio y no se encuentran sueltas dentro del sistema. Compruébelo agitando el sistema y escuchando los posibles ruidos que provocarían. Las piezas metálicas pueden causar cortocircuitos eléctricos.

Safety notice 2

DANGER

Some standby batteries contain a small amount of nickel and cadmium. Do not disassemble a standby battery, recharge it, throw it into fire or water, or short-circuit it. Dispose of the battery as required by local ordinances or regulations. Use only the battery in the appropriate parts listing. Use of an incorrect battery can result in ignition or explosion of the battery.

Certaines batteries de secours contiennent du nickel et du cadmium. Ne les démontez pas, ne les rechargez pas, ne les exposez ni au feu ni à l'eau. Ne les mettez pas en court-circuit. Pour les mettre au rebut, conformez-vous à la réglementation en vigueur. Lorsque vous remplacez la pile de sauvegarde ou celle de l'horloge temps réel, veillez à n'utiliser que les modèles cités dans la liste de pièces détachées adéquate. Une batterie ou une pile inappropriée risque de prendre feu ou d'exploser.

Die Bereitschaftsbatterie, die sich unter dem Diskettenlaufwerk befindet, kann geringe Mengen Nickel und Cadmium enthalten. Sie darf nicht zerlegt, wiederaufgeladen, kurzgeschlossen, oder Feuer oder Wasser ausgesetzt werden. Bei der Entsorgung die örtlichen Bestimmungen für Sondermüll beachten. Beim Ersetzen der Bereitschafts- oder Systematterie nur Batterien des Typs verwenden, der in der Ersatzteilliste aufgeführt ist. Der Einsatz falscher Batterien kann zu Entzündung oder Explosion führen.

סוללות המתנה מסוימות מכילות כמות קטנה של ניקל וקדמיום. אין למרק סוללת המתנה, לטעון אותה מחדש, להשליך אותה לאש או למים או לקצר אותה. יש לטפל את הסוללה כדורש על ידי התקנות והחוקים המקומיים. יש להשתמש רק בסוללה המופיעה ברשימת החלקים המתאימה. שימוש בסוללה לא מתאימה עלול לגרום להצתה או התפוצצות של הסוללה.

Alcune batterie di riserva contengono una piccola quantità di nichel e cadmio. Non smontarle, ricaricarle, gettarle nel fuoco o nell'acqua né cortocircuitarle. Smaltirle secondo la normativa in vigore (DPR 915/82, successive disposizioni e disposizioni locali). Quando si sostituisce la batteria dell'RTC (real time clock) o la batteria di supporto, utilizzare soltanto i tipi inseriti nell'appropriato Catalogo parti. L'impiego di una batteria non adatta potrebbe determinare l'incendio o l'esplosione della batteria stessa.

予備バッテリーの中には少量のニッケルとカドミウムが含まれているものがあります。したがって、予備バッテリーの分解、再充電、火または水の中への投棄、またはショートさせることは決して行わないでください。バッテリーを廃棄する場合は地方自治体の条例に従ってください。適切なパーツ・リストにあるバッテリーだけを使用してください。誤ったバッテリーを使用すると、バッテリーが発火したり、爆発したりすることがあります。

Algunas baterías de reserva contienen una pequeña cantidad de níquel y cadmio. No las desmonte, ni recargue, ni las eche al fuego o al agua ni las cortocircuite. Deséchelas tal como dispone la normativa local. Utilice sólo baterías que se encuentren en la lista de piezas. La utilización de una batería no apropiada puede provocar la ignición o explosión de la misma.

Safety notice 3

⚠ DANGER

The battery pack contains small amounts of nickel. Do not disassemble it, throw it into fire or water, or short-circuit it. Dispose of the battery pack as required by local ordinances or regulations. Use only the battery in the appropriate parts listing when replacing the battery pack. Use of an incorrect battery can result in ignition or explosion of the battery.

La batterie contient du nickel. Ne la démontez pas, ne l'exposez ni au feu ni à l'eau. Ne la mettez pas en court-circuit. Pour la mettre au rebut, conformez-vous à la réglementation en vigueur. Lorsque vous remplacez la batterie, veillez à n'utiliser que les modèles cités dans la liste de pièces détachées adéquate. En effet, une batterie inappropriée risque de prendre feu ou d'exploser.

Akkus enthalten geringe Mengen von Nickel. Sie dürfen nicht zerlegt, wiederaufgeladen, kurzgeschlossen, oder Feuer oder Wasser ausgesetzt werden. Bei der Entsorgung die örtlichen Bestimmungen für Sondermüll beachten. Beim Ersetzen der Batterie nur Batterien des Typs verwenden, der in der Ersatzteilliste aufgeführt ist. Der Einsatz falscher Batterien kann zu Entzündung oder Explosion führen.

מארו הסוללה מכיל כמות קטנה של ניקל וקדמיום. אין לפרק את מארו הסוללה, להשליך אותו לאש או למים או לקצר אותו. יש לשלק את מארו הסוללה הסוללה כנדרש על ידי התקנות והחוקים המקומיים. יש להשתמש רק בסוללה המופיעה ברשימת החלקים המתאימה בזמן החלפת מארו הסוללה. שימוש בסוללה לא מתאימה עלול לגרום לנזקה או התפוצצות של הסוללה.

La batteria contiene piccole quantità di nichel. Non smontarla, gettarla nel fuoco o nell'acqua né cortocircuitarla. Smaltirla secondo la normativa in vigore (DPR 915/82, successive disposizioni e disposizioni locali). Quando si sostituisce la batteria, utilizzare soltanto i tipi inseriti nell'appropriato Catalogo parti. L'impiego di una batteria non adatta potrebbe determinare l'incendio o l'esplosione della batteria stessa.

バッテリー・パックには少量のニッケルが含まれています。バッテリー・パックを分解したり、火または水の中に投げ込んだり、ショートさせないでください。バッテリー・パックの廃棄にあたっては、地方自治体の条例または規則に従ってください。バッテリー・パックを交換するときは、適切なパーツ・リストにあるバッテリーだけを使用してください。誤ったバッテリーを使用すると、バッテリーが発火したり、爆発したりすることがあります。

Las baterías contienen pequeñas cantidades de níquel. No las desmonte, ni recargue, ni las eche al fuego o al agua ni las cortocircuite. Deséchelas tal como dispone la normativa local. Utilice sólo baterías que se encuentren en la lista de piezas al sustituir la batería. La utilización de una batería no apropiada puede provocar la ignición o explosión de la misma.

Safety notice 4

⚠ DANGER

The lithium battery can cause a fire, an explosion, or a severe burn. Do not recharge it, remove its polarized connector, disassemble it, heat it above 100°C (212°F), incinerate it, or expose its cell contents to water. Dispose of the battery as required by local ordinances or regulations. Use only the battery in the appropriate parts listing. Use of an incorrect battery can result in ignition or explosion of the battery.

La pile de sauvegarde contient du lithium. Elle présente des risques d'incendie, d'explosion ou de brûlures graves. Ne la rechargez pas, ne retirez pas son connecteur polarisé et ne la démontez pas. Ne l'exposez pas à une température supérieure à 100°C, ne la faites pas brûler et n'en exposez pas le contenu à l'eau. Mettez la pile au rebut conformément à la réglementation en vigueur. Une pile inappropriée risque de prendre feu ou d'exploser.

Die Systematterie ist eine Lithiumatterie. Sie kann sich entzünden, explodieren oder schwere Verbrennungen hervorrufen. Batterien dieses Typs dürfen nicht aufgeladen, zerlegt, über 100 C erhitzt oder verbrannt werden. Auch darf ihr Inhalt nicht mit Wasser in Verbindung gebracht oder der zur richtigen Polung angebrachte Verbindungsstecker entfernt werden. Bei der Entsorgung die örtlichen Bestimmungen für Sondermüll beachten. Beim Ersetzen der Batterie nur Batterien des Typs verwenden, der in der Ersatzteilliste aufgeführt ist. Der Einsatz falscher Batterien kann zu Entzündung oder Explosion führen.

סוללת הליתיום עלולה לגרום לשריפה, להתפוצצות או לכוויות קשות. אין לטעון אותה מחדש, לטלוק את המחבר המקוטב שלה, לפרק אותה או לחמם אותה לטמפרטורה העולה על 100 מעלות צלזיוס. אין לשרוף את הסוללה ואין לחשוף את תוכן התא למים. יש לטלוק את הסוללה כנדרש בתקנות ובחוקים המקומיים. יש להשתמש רק בסוללה המופיעה ברשימת החלקים המתאימים. שימוש בסוללה אחרת עלול לגרום לסכנת שריפה או התפוצצות.

La batteria di supporto e una batteria al litio e puo incendiarsi, esplodere o procurare gravi ustioni. Evitare di ricaricarla, smontarne il connettore polarizzato, smontarla, riscaldarla ad una temperatura superiore ai 100 gradi centigradi, incendarla o gettarla in acqua. Smaltirla secondo la normativa in vigore (DPR 915/82, successive disposizioni e disposizioni locali). L'impiego di una batteria non adatta potrebbe determinare l'incendio o l'esplosione della batteria stessa.

リチウム・バッテリーは、火災、爆発、または重症のやけどを引き起こすことがあります。バックアップ・バッテリーの充電、その極性コネクタの取り外し、バッテリー本体の分解、100°C (212°F) 以上への加熱、焼却、電池の中身を水に浸すことはしないでください。バッテリーを廃棄する場合は地方自治体の条例に従ってください。適切なパーツ・リストにあるバッテリーだけを使用してください。誤ったバッテリーを使用すると、バッテリーが発火したり、爆発したりすることがあります。

La batería de respaldo es una batería de litio y puede provocar incendios, explosiones o quemaduras graves. No la recargue, ni quite el conector polarizado, ni la desmonte, ni caliente por encima de los 100°C (212°F), ni la incinere ni exponga el contenido de sus celdas al agua. Deséchela tal como dispone la normativa local.

Safety notice 5

If the LCD breaks and the fluid from inside the LCD gets into your eyes or on your hands, immediately wash the affected areas with water at least for 15 minutes. Seek medical care if any symptoms caused by the fluid are present after washing.

Si le panneau d'affichage à cristaux liquides se brise et que vous recevez dans les yeux ou sur les mains une partie du fluide, rincez-les abondamment pendant au moins quinze minutes. Consultez un médecin si des symptômes persistent après le lavage.

Die Leuchtstoffröhre im LCD-Bildschirm enthält Quecksilber. Bei der Entsorgung die örtlichen Bestimmungen für Sondermüll beachten. Der LCD-Bildschirm besteht aus Glas und kann zerbrechen, wenn er unsachgemäß behandelt wird oder der Computer auf den Boden fällt. Wenn der Bildschirm beschädigt ist und die darin befindliche Flüssigkeit in Kontakt mit Haut und Augen gerät, sollten die betroffenen Stellen mindestens 15 Minuten mit Wasser abgespült und bei Beschwerden anschließend ein Arzt aufgesucht werden.

אם מסך הניבש הנוזלי (LCD) נשבר והנוזל מתוך המסך בא במגע עם עיניים או ידיים, שטפו את האזורים הנוגעים מיד במים במשך 15 דקות לפחות. מנו לקבלת עזרה רפואית אם תסמינים הנובעים מהמגע עם הנוזל נמשכים לאחר השטיפה.

Nel caso che caso l'LCD si dovesse rompere ed il liquido in esso contenuto entrasse in contatto con gli occhi o le mani, lavare immediatamente le parti interessate con acqua corrente per almeno 15 minuti; poi consultare un medico se i sintomi dovessero permanere.

LCD が破損し、LCD 中の液体が目に入ったり、手に触れたりした場合は、液体が触れた部分を少なくとも 15 分間洗い流してください。洗い流した後に、液体によって何らかの症状が現れた場合は、医師の治療を受けてください。

Si la LCD se rompe y el fluido de su interior entra en contacto con sus ojos o sus manos, lave inmediatamente las áreas afectadas con agua durante 15 minutos como mínimo. Obtenga atención médica si se presenta algún

Safety notice 6

⚠ DANGER

To avoid shock, do not remove the plastic cover that protects the lower part of the inverter card.

Afin d'éviter tout risque de choc électrique, ne retirez pas le cache en plastique protégeant la partie inférieure de la carte d'alimentation.

Aus Sicherheitsgründen die Kunststoffabdeckung, die den unteren Teil der Spannungswandlerplatine umgibt, nicht entfernen.

כדי למנוע התחשמלות, אין להסיר את מכסה הפלסטיק המגן על חלקו התחתון של הכרטיס ההפוך.

Per evitare scosse elettriche, non rimuovere la copertura in plastica che avvolge la parte inferiore della scheda invertitore.

感電を防ぐため、インバーター・カードの下部を保護しているプラスチック・カバーを外さないでください。

Para evitar descargas, no quite la cubierta de plástico que rodea la parte baja de la tarjeta invertida.

Safety notice 7

⚠ DANGER

Though the main batteries have low voltage, a shorted or grounded battery can produce enough current to burn personnel or combustible materials.

Bien que le voltage des batteries principales soit peu élevé, le court-circuit ou la mise à la masse d'une batterie peut produire suffisamment de courant pour brûler des matériaux combustibles ou causer des brûlures corporelles graves.

Obwohl Hauptbatterien eine niedrige Spannung haben, können sie doch bei Kurzschluß oder Erdung genug Strom abgeben, um brennbare Materialien zu entzünden oder Verletzungen bei Personen hervorzurufen.

אף שהסוללות הראשיות הן בעלות מתח נמוך, סוללה מקוצרות או מוארקת עלולה להפיק זרם מספיק לגרימת כוויות או להצתת חומרים דליקים.

Sebbene le batterie di alimentazione siano a basso voltaggio, una batteria in corto circuito o a massa può fornire corrente sufficiente da bruciare materiali combustibili o provocare ustioni ai tecnici di manutenzione.

メイン・バッテリーの電圧は低くても、ショートしたり、接地したバッテリーが、作業者にやけどを負わせたり、可燃物を燃やすだけの電流を発生させる場合があります。

Aunque las baterías principales tienen un voltaje bajo, una batería cortocircuitada o con contacto a tierra puede producir la corriente suficiente como para quemar material combustible o provocar quemaduras en el personal.

Safety notice 8

⚠ DANGER

Before removing any FRU, turn off the computer, unplug all power cords from electrical outlets, remove the battery pack, and then disconnect any interconnecting cables.

Avant de retirer une unité remplaçable en clientèle, mettez le système hors tension, débranchez tous les cordons d'alimentation des socles de prise de courant, retirez la batterie et déconnectez tous les cordons d'interface.

Die Stromzufuhr muß abgeschaltet, alle Stromkabel aus der Steckdose gezogen, der Akku entfernt und alle Verbindungskabel abgenommen sein, bevor eine FRU entfernt wird.

לפני סילוק FRU כלשהו, יש לכבות את המחשב,
לנתק את כל כבלי החשמל משקעי החשמל, להוציא
את מארז הסוללה, ואז לנתק כבלי חיבור אחרים
אם יש כאלה.

Prima di rimuovere qualsiasi FRU, spegnere il sistema, scollegare dalle prese elettriche tutti i cavi di alimentazione, rimuovere la batteria e poi scollegare i cavi di interconnessione.

FRUを取り外す前に、ThinkPadの電源を切って、すべての電源コードをコンセントから外してください。次に、バッテリー・パックを外し、相互接続ケーブルを外してください。

Antes de quitar una FRU, apague el sistema, desenchufe todos los cables de las tomas de corriente eléctrica, quite la batería y, a continuación, desconecte cualquier cable de conexión entre dispositivos.

Laser compliance statement

Some models of Lenovo computer are equipped from the factory with an optical storage device such as a CD-ROM drive or a DVD-ROM drive. Such devices are also sold separately as options. If one of these drives is installed, it is certified in the U.S. to conform to the requirements of the Department of Health and Human Services 21 Code of Federal Regulations (DHHS 21 CFR) Subchapter J for Class 1 laser products. Elsewhere, the drive is certified to conform to the requirements of the International Electrotechnical Commission (IEC) 825 and CENELEC EN 60 825 for Class 1 laser products.

If a CD-ROM drive, a DVD-ROM drive, or another laser device is installed, note the following:

CAUTION

Use of controls or adjustments or performance of procedures other than those specified herein might result in hazardous radiation exposure.

O uso de controles, ajustes ou desempenho de procedimentos diferentes daqueles aqui especificados pode resultar em perigosa exposição à radiação.

凡未在这里指明的任何控制用法、调整、行为，都会导致严重后果。

Pour éviter tout risque d'exposition au rayon laser, respectez les consignes de réglage et d'utilisation des commandes, ainsi que les procédures décrites.

Werden Steuer- und Einstellelemente anders als hier festgesetzt verwendet, kann gefährliche Laserstrahlung auftreten.

Az itt előírt eljárásoktól, beállításoktól és vezérlésektől eltérni a lézersugárzás veszélye miatt kockázatos!

L'utilizzo di controlli, regolazioni o l'esecuzione di procedure diverse da quelle specificate possono provocare l'esposizione a.

Использование элементов настройки и выполнение процедур иных, чем указано здесь, может привести к опасному радиационному облучению.

Použitie kontrôl, úprav alebo iných vykonaní od iných výrobcov, ako je v tomto špecifikované, mohlo by mať za následok nebezpečenstvo vystavenia sa vyžiarovaniu.

本書で指定された内容以外の、お客様による整備、調整、または手順を行った場合、レーザー光の放射の危険があります。

El uso de controles o ajustes o la ejecución de procedimientos distintos de los aquí especificados puede provocar la exposición a radiaciones peligrosas.

Opening the CD-ROM drive, the DVD-ROM drive, or any other optical storage device could result in exposure to hazardous laser radiation. There are no serviceable parts inside those drives. **Do not open.**

A CD-ROM drive, a DVD-ROM drive, or any other storage device installed may contain an embedded Class 3A or Class 3B laser diode. Note the following:

 **DANGER**

Emits visible and invisible laser radiation when open. Do not stare into the beam, do not view directly with optical instruments, and avoid direct exposure to the beam.

Radiação por raio laser ao abrir. Não olhe fixo no feixe de luz, não olhe diretamente por meio de instrumentos óticos e evite exposição direta com o feixe de luz.

开启时会有激光发射时，请勿直视激光光束，请勿直接查看视觉仪器，并且避免直接接触在激光光束之中。

Rayonnement laser si carter ouvert. Évitez de fixer le faisceau, de le regarder directement avec des instruments optiques, ou de vous exposer au rayon.

Laserstrahlung bei geöffnetem Gerät. Nicht direkt oder über optische Instrumente in den Laserstrahl sehen und den Strahlungsbereich meiden.

Kinyitáskor lézersugár! Ne nézzen bele se szabad szemmel, se optikai eszközökkel. Kerülje a sugárnyalábbal való érintkezést!

Aprenndo l'unità vengono emesse radiazioni laser. Non fissare il fascio, non guardarlo direttamente con strumenti ottici e evitare l'esposizione diretta al fascio.

Открывая, берегитесь лазерного излучения. Не смотрите на луч, не разглядывайте его с помощью оптических инструментов, а также избегайте прямого воздействия лазерного луча.

Keď je laserová jednotka otvorená. Vyhňte sa priamemu pohľadu a nehládte priamo s optickými nástrojmi do lúča a vyhňte sa priamemu vystaveniu lúčov.

開けるとレーザー光が放射されます。光線を見つめたり、光学機械を使って直接見たりしないでください。

Radiación láser al abrir. No mire fijamente ni examine con instrumental óptico el haz de luz. Evite la exposición directa al haz.

Important service information

This chapter presents the following important service information:

- “Strategy for replacing FRUs” on page 16
 - “Strategy for replacing a hard disk drive” on page 17
 - “Important notice for replacing a system board” on page 17
- “Important information about replacing RoHS compliant FRUs” on page 18

Important:

BIOS and device driver fixes are customer-installable. The BIOS and device drivers are posted on the customer support site:
<http://consumersupport.lenovo.com/>.

Strategy for replacing FRUs

Before replacing parts:

Make sure that all software fixes, drivers, and BIOS downloads are installed before replacing any FRUs listed in this manual.

After a system board is replaced, ensure that the latest BIOS is loaded to the system board before completing the service action.

To download software fixes, drivers, and BIOS, follow the steps below:

1. Go to <http://consumersupport.lenovo.com/>.
2. Enter the serial number or select a product or use Lenovo smart downloading.
3. Select the BIOS/Driver/Applications and download.
4. Follow the directions on the screen and install the necessary software.

Use the following strategy to prevent unnecessary expense for replacing and servicing FRUs:

- If you are instructed to replace an FRU, but the replacement does not solve the problem, reinstall the original FRU before you continue.
- Some computers have both a processor board and a system board. If you are instructed to replace either of them, and replacing one of them does not solve the problem, reinstall that board, and then replace the other one.
- If an adapter or a device consists of more than one FRU, any of the FRUs may be the cause of the error. Before replacing the adapter or device, remove the FRUs one by one to see if the symptoms change. Replace only the FRU that changed the symptoms.

Attention: The setup configuration on the computer you are servicing may have been customized. Running Automatic Configuration may alter the settings. Note the current configuration settings (using the View Configuration option); then, when service has been completed, verify that those settings remain in effect.

Strategy for replacing a hard disk drive

Always try to run a low-level format before replacing a hard disk drive. This will cause all customer data on the hard disk to be lost. Make sure that the customer has a current backup of the data before performing this action.

Attention: The drive startup sequence in the computer you are servicing may have been changed. Be extremely careful during write operations such as copying, saving, or formatting. If you select an incorrect drive, data or programs can be overwritten.

Important notice for replacing a system board

Some components mounted on a system board are very sensitive. Improper handling can cause damage to those components, and may cause a system malfunction.

Attention: When handling a system board:

- Do not drop the system board or apply any excessive force to it.
- Avoid rough handling of any kind.
- Avoid bending the system board and hard pushing to prevent cracking at each BGA (Ball Grid Array) chipset.

Important information about replacing RoHS compliant FRUs

RoHS, The Restriction of Hazardous Substances in Electrical and Electronic Equipment Directive (2002/95/EC) is a European Union legal requirement affecting the global electronics industry. RoHS requirements must be implemented on Lenovo products placed on the market after June 2006. Products on the market before June 2006 are not required to have RoHS compliant parts. If the original FRU parts are non-compliant, replacement parts can also be non-compliant. In all cases if the original FRU parts are RoHS compliant, the replacement part must also be RoHS compliant.

Note: RoHS and non-RoHS FRU part numbers with the same fit and function are identified with unique FRU part numbers.

Lenovo plans to transit to RoHS compliance well before the implementation date and expects its suppliers to be ready to support Lenovo’s requirements and schedule in the EU. Products sold in 2005 and 2006 will contain some RoHS compliant FRUs. The following statement pertains to these products and any product Lenovo produces containing RoHS compliant FRUs.

RoHS compliant FRUs have unique FRU part numbers. Before or after the RoHS implementation date, failed RoHS compliant parts must always be replaced with RoHS compliant ones, so only the FRUs identified as compliant in the system HMM or direct substitutions for those FRUs may be used.

Products marketed before June 2006		Products marketed after June 2006	
Current or original part	Replacement FRU	Current or original part	Replacement FRU
Non-RoHS	Can be Non-RoHS	Must be RoHS	Must be RoHS
Non-RoHS	Can be RoHS		
Non-RoHS	Can sub to RoHS		
RoHS	Must be RoHS		

Note: A direct substitution is a part with a different FRU part number that is automatically shipped by the distribution center at the time of the order.

General checkout

This chapter presents the following information:

- “What to do first” on page 20
- “Power system checkout” on page 21

Before you go to the checkout, make sure to read the following important notes:

Important notes:

- **Only certified trained personnel can service the computer.**
- **Before replacing any FRU, read the entire page on removing and replacing FRUs.**
- **When you replace FRUs, use new nylon-coated screws.**
- **Be extremely careful during such write operations as copying, saving, or formatting.** Drives in the computer that you are servicing sequence might have been altered. If you select an incorrect drive, data or programs might be overwritten.
- **Replace an FRU only with another FRU of the correct model.** When you replace an FRU, make sure that the machine model and the FRU part number are correct by referring to the FRU parts list.
- **An FRU should not be replaced just because of a single, unreproducible failure.** Single failures can occur for a variety of reasons that have nothing to do with a hardware defect, such as cosmic radiation, electrostatic discharge, or software errors. Consider replacing an FRU only when a problem recurs. If you suspect that an FRU is defective, clear the error logs and run the test again. If the error does not recur, do not replace the FRU.
- **Be careful not to replace a nondefective FRU.**

What to do first

When you do return an FRU, you must include the following information in the parts exchange form or parts return form that you attach to it:

1. Name and phone number of servicer
2. Date of service
3. Date on which the machine failed
4. Date of purchase
5. Procedure index and page number in which the failing FRU was detected
6. Failing FRU name and part number
7. Machine type, model number, and serial number
8. Customer's name and address

Note for warranty: During the warranty period, the customer may be responsible for repair costs if the computer damage was caused by misuse, accident, modification, unsuitable physical or operating environment, or improper maintenance by the customer.

The following is a list of some common items that are not covered under warranty and some symptoms that might indicate that the system was subjected to stress beyond normal use.

Before checking problems with the computer, determine whether the damage is covered under the warranty by referring to the following list:

The following are not covered under warranty:

- LCD panel cracked from the application of excessive force or from being dropped
- Scratched (cosmetic) parts
- Distortion, deformation, or discoloration of the cosmetic parts
- Plastic parts, latches, pins, or connectors that have been cracked or broken by excessive force
- Damage caused by liquid spilled into the system
- Damage caused by the improper insertion of a PC Card or the installation of an incompatible card
- Improper disk insertion or use of an optical drive
- Diskette drive damage caused by pressure on the diskette drive cover, foreign material in the drive, or the insertion of a diskette with multiple labels
- Damaged or bent diskette eject button
- Fuses blown by attachment of a nonsupported device
- Forgotten computer password (making the computer unusable)
- Sticky keys caused by spilling a liquid onto the keyboard
- Use of an incorrect AC adapter on laptop products

The following symptoms might indicate damage caused by nonwarranted activities:

- Missing parts might be a symptom of unauthorized service or modification.
- If the spindle of a hard disk drive becomes noisy, it may have been subjected to excessive force, or dropped.

Power system checkout

To verify a symptom, follow the steps below:

1. Turn off the computer.
2. Remove the battery pack.
3. Connect the AC adapter.
4. Make sure that power is supplied when you turn on the computer.
5. Turn off the computer.
6. Disconnect the AC adapter and install the charged battery pack.
7. Make sure that the battery pack supplies power when you turn on the computer.

If you suspect a power problem, see the appropriate one of the following power supply checkouts:

- “Checking the AC adapter” on page 21
- “Checking operational charging” on page 21
- “Checking the battery pack” on page 22

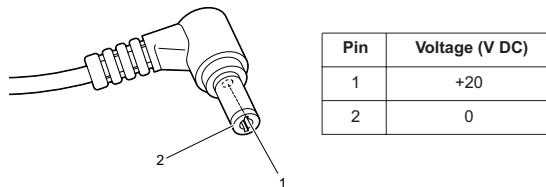
Checking the AC adapter

You are here because the computer fails only when the AC adapter is used.

- If the power-on indicator does not turn on, check the power cord of the AC adapter for correct continuity and installation.
- If the computer does not charge during operation, go to “Checking operational charging”.

To check the AC adapter, follow the steps below:

1. Unplug the AC adapter cable from the computer.
2. Measure the output voltage at the plug of the AC adapter cable. See the following figure:



Note: Output voltage for the AC adapter pin No. 2 may differ from the one you are servicing.

3. If the voltage is not correct, replace the AC adapter.
4. If the voltage is acceptable, do the following:
 - Replace the system board.
 - If the problem persists, go to “Lenovo Y480/Y580” on page 27.

Note: Noise from the AC adapter does not always indicate a defect.

Checking operational charging

To check whether the battery charges properly during operation, use a discharged battery pack or a battery pack that has less than 50% of the total power remaining when installed in the computer.

Perform operational charging. If the battery status indicator or icon does not light on, remove the battery pack and let it return to room temperature. Reinstall the battery pack. If the charge indicator or icon is still off, replace the battery pack.

If the charge indicator still does not light on, replace the system board. Then reinstall the battery pack. If it is still not charged, go to the next section.

Checking the battery pack

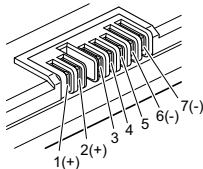
Battery charging does not start until the Power Meter shows that less than 95% of the total power remains; under this condition the battery pack can charge to 100% of its capacity. This protects the battery pack from being overcharged or from having a shortened life.

To check your battery, move your cursor to the Power Meter icon in the icon tray of the Windows® taskbar and wait for a moment (but do not click it), and the percentage of battery power remaining is displayed. To get detailed information about the battery, double-click the Power Meter icon.

Note: If the battery pack becomes hot, it may not be able to be charged. Remove it from the computer and leave it at room temperature for a while. After it cools down, reinstall and recharge it.

To check the battery pack, follow the steps below:

1. Turn off the computer.
2. Remove the battery pack and measure the voltage between battery terminals 1 (+) and 7 (-). See the following figure:



Terminal	Voltage (V DC)
1	+0 to +14
7	Ground (-)

3. If the voltage is less than +11.0 V DC, the battery pack has been discharged.
Note: Recharging will be continued for at least 3 hours, even though the indicator does not light on.
If the voltage is still less than +11.0 V DC after recharging, replace the battery.
4. If the voltage is more than +11.0 V DC, measure the resistance between battery terminals 5 and 7. The resistance must be 4 to 30 KΩ.
If the resistance is not correct, replace the battery pack. If the resistance is correct, replace the system board.

Related service information

This chapter presents the following information:

- “Restoring the factory contents by using Recovery Disc Set” on page 23
- “Passwords” on page 24
- “Power management” on page 25

Restoring the factory contents by using Recovery Disc Set

When the hard disk drive or solid state drive is replaced because of a failure, no product recovery program is on the new drive. In this case, you must use the *Recovery Disc Set* for the computer. Order the *Recovery Disc Set* and the drive at the same time so that you can recover the new drive with the pre-installed software when they arrive.

The *Recovery Disc Set* consists of the following set of DVDs to restore the computer to the original factory configuration.

Start Recovery Disc (one disc)

This disc is used to format the hard disk drive and initiate the recovery process.

Operating System Recovery Disc (one or more discs)

This disc restores the Microsoft Windows operating system.

Applications and Drivers Recovery Disc (one or more discs)

This disc restores the pre-installed applications and drivers on the computer.

Supplemental Recovery Disc

This disc contains additional content, such as software for specific models and updates to the software that was preloaded on the computer. Not all recovery disc sets come with a *Supplemental Recovery Disc*.

To restore the computer to the original factory configuration using the recovery disc set, do the following:

1. Insert the bootable *Start Recovery Disc* into the optical drive.
2. Start the computer. When the Lenovo logo comes up, immediately press F12; on the boot sequence menu, select the optical drive as the first boot-up device. The computer will boot from the *Start Recovery Disc*. Follow the on-screen instructions to begin the recovery process.
3. Read the license. If you agree with the terms, select **I accept these terms and conditions** and then click **Next**.
4. Insert the **Operating System Recovery Disc** when prompted and click **Yes** to begin the operating system recovery process.
5. Insert the *Applications and Drivers Recovery Disc* when prompted and then click **OK** to begin the applications and drivers recovery process.
6. If you have a *Supplemental Recovery Disc*, insert it when prompted and click **Yes**. If you do not have a *Supplemental Recovery Disc*, click **No**.

7. When all of the data has been copied from the last disc in the set, remove the disc and restart the computer.

Note: The remainder of the recovery process is fully automated and no action is required by you. The computer will restart into the Windows desktop several times and you might experience periods when no activity is apparent on the screen for several minutes at a time. This is normal.

8. When the recovery process is complete, the Welcome to the Microsoft Windows screen is displayed. Follow the instructions on the screen to complete the Windows setup.

Passwords

As many as three passwords may be needed for any Lenovo computer: the power-on password (POP), the hard disk password (HDP), and the supervisor password (SVP).

If any of these passwords has been set, a prompt for it appears on the screen whenever the computer is turned on. The computer does not start until the password is entered.

Exception: If only an SVP is installed, the password prompt does not appear when the operating system is booted.

Power-on password

A power-on password (POP) protects the system from being powered on by an unauthorized person. The password must be entered before an operating system can be booted.

Hard-disk password

There are two hard-disk passwords (HDPs):

+ User HDP - for the user

+ Master HDP - for the system administrator, who can use it to get access to the hard disk drive even if the user has changed the user HDP

Attention: If the user HDP has been forgotten, check whether a master HDP has been set. If it has, it can be used for access to the hard disk drive. If no master HDP is available, neither Lenovo nor Lenov authorized service technicians provide any services to reset either the user or the master HDP, or to recover data from the hard disk drive. The hard disk drive can be replaced for a scheduled fee.

Supervisor password

A supervisor password (SVP) protects the system information stored in the BIOS Setup Utility. The user must enter the SVP in order to get access to the BIOS Setup Utility and change the system configuration.

Attention: If the SVP has been forgotten and cannot be made available to the servicer, there is no service procedure to reset the password. The system board must be replaced for a scheduled fee.

Power management

Note: Power management modes are not supported for APM operating system.

To reduce power consumption, the computer has three power management modes: screen blank, sleep (standby), and hibernation.

Screen blank mode

If the time set on the “Turn off monitor” timer in the operating system expires, the LCD backlight turns off. You can also turn off the LCD backlight by pressing Fn+F2.

To end screen blank mode and resume normal operation, press any key.

Sleep (standby) mode

When the computer enters sleep (standby) mode, the following events occur in addition to what occurs in screen blank mode:

- The LCD is powered off.
- The hard disk drive is powered off.
- The CPU stops.

To enter sleep (standby) mode, press Fn+F1.

In certain circumstances, the computer goes into sleep (standby) mode automatically:

- If a “suspend time” has been set on the timer, and the user does not do any operation with the keyboard, the hard disk, the parallel connector, or the diskette drive within that time.
- If the battery indicator is amber, indicating that the battery power is low. (Alternatively, if **Hibernate when battery becomes low** has been selected in the “Power Management Properties” window, the computer goes into hibernation mode.)

To cause the computer to return from sleep (standby) mode and resume the operation, do one of the following:

- Press the Fn key.
- Open the lid.
- Turn on the power switch.

Also, in the following event, the computer automatically returns from sleep (standby) mode and resumes the operation:

- The time set on the resume timer elapses.

Note: The computer does not accept any input immediately after it enters sleep (standby) mode. Wait a few seconds before taking any action to reenter operation mode.

Hibernation mode

In hibernation mode, the following occurs:

- The system status, RAM, VRAM, and setup data are stored on the hard disk.
- The system is powered off.

To cause the computer to enter hibernation mode, follow the steps below:

- If you are using the ACPI operating system and have defined one of the following actions as the event that causes the system to go into hibernation mode, perform that action:
 - Closing the lid.
 - Pressing the power button.

Also, the computer goes into hibernation mode automatically in either of the following conditions:

- If a “hibernation time” has been set on the timer, and if the user does not do any operation with the keyboard, the hard disk drive, the parallel connector, or the diskette drive within that time.
- If the timer conditions are satisfied in suspend mode.

When the power is turned on, the computer returns from hibernation mode and resumes operation. The hibernation file in the boot record on the hard disk drive is read, and system status is restored from the hard disk drive.

Lenovo Y480/Y580

This chapter presents the following product-specific service references and product-specific parts information:

- “Specifications” on page 27
- “Status indicators” on page 30
- “FRU tests” on page 31
- “Fn key combinations” on page 32
- “FRU replacement notices” on page 33
- “Removing and replacing an FRU” on page 34
- “Locations” on page 71
- “Parts list” on page 74

Specifications

The following table lists the specifications of the Lenovo Y480/Y580:

Table 1. Specifications

Feature	Description
Processor	<ul style="list-style-type: none"> • Intel Chief River
Core Chipset	<ul style="list-style-type: none"> • Intel HM76
Bus architecture	<ul style="list-style-type: none"> • 1600MHz DDR3 SDRAM • PCI Express bus • SMBus • DMI • FDI
Graphic Chipset	<ul style="list-style-type: none"> • GT640M LE /GT650M (Y480) • GTX660M (Y580)
Display	<ul style="list-style-type: none"> • 14.0" 16:9 HD, flat type • 1366 × 768 pixels WXGA (220 nit) (Y480)
	<ul style="list-style-type: none"> • 15.6" 16:9 HD wedge type LED panel • 1366 × 768 pixels (220 nit) • 15.6" 16:9 FHD wedge type LED panel • 1920×1020 pixels (Y580)
Standard memory	<ul style="list-style-type: none"> • DDR3 1600 (Support Dual Channel)* (Y480) • DDR3 1066/1333 (Support Dual Channel)* (Y580) • SODIMM × 2
CMOS RAM	<ul style="list-style-type: none"> • 256 bytes

Table 1. Specifications (continued)

Feature	Description
Hard disk drive	<ul style="list-style-type: none"> • 500GB, 5400rpm (7mm)* • 500GB, 5400rpm* • 500GB, 7200rpm • 750GB, 5400rpm** • 1TB, 5400rpm** (Y480)
	<ul style="list-style-type: none"> • 500GB, 5400rpm (7mm)* • 500GB, 5400rpm* • 750GB, 5400rpm* • 1TB, 5400rpm** (Y580)
Solid-state drive	<ul style="list-style-type: none"> • 32GB combine with 2G/4G • 64G combine with 4G/6G/8G • option base on region special request
Optical drive	<ul style="list-style-type: none"> • 12.7mm - 2.5" • RAMBO* • Blueray Combo** • Blueray Rambo---base on GEO forecast
I/O port	<ul style="list-style-type: none"> • External monitor connector • Headphone jack × 1, Mic-in jack × 1 • RJ45 × 1 • USB 2.0 × 2, USB 3.0 × 2 or USB 2.0 × 1, USB 3.0 × 3 • 6-in1 card reader (SD/SD-pro/MMC/MS/MS-pro/XD)
MODEM slot	<ul style="list-style-type: none"> • N/A
TV	<ul style="list-style-type: none"> • NO TV TUNER SUPPORT (Y480) • DVB-T/ATSC/DMB-T (Y580)
Audio	<ul style="list-style-type: none"> • 1/8" Stereo Headphone Output Jack/ SPIDIF, 1/8" • Input Jack Microphone • Built-in stereo speakers • Built-in microphone
Video	<ul style="list-style-type: none"> • CRT port × 1 • HDMI port × 1 • VGA × 1
Ethernet (on the system board)	<ul style="list-style-type: none"> • 1G LAN
PCI Express Mini Card slot	<ul style="list-style-type: none"> • Wimax/WIFI × 1 • SSD × 1
WLAN	<ul style="list-style-type: none"> • Intel 802.16e Wimax • Intel 802.11 a/b/g/n WIFI
WWAN	<ul style="list-style-type: none"> • N/A
Bluetooth wireless	<ul style="list-style-type: none"> • Built-in antenna with min-USB interface, select Models
Keyboard	<ul style="list-style-type: none"> • 6 Row, ISO Full Size Keyboard,backlit (optional) (Y480) • 6 Row, ISO Full Size Keyboard,backlit (Y580)
Touch pad	<ul style="list-style-type: none"> • One-piece Touch pad

Table 1. Specifications (continued)

Feature	Description
Finger Print Reader	<ul style="list-style-type: none"> • N/A
Integrated camera	<ul style="list-style-type: none"> • HD Camera
Battery	<ul style="list-style-type: none"> • 6 cells, 3400mAH or 2800mAH, Li-Ion (Y480) • 6 cells, 3400mAH Li-Ion (Y580)
AC adapter	<ul style="list-style-type: none"> • 90 W/120 W
Pre-installed operating system	<ul style="list-style-type: none"> • Win7, Win8

Status indicators

The system status indicators below show the computer status:

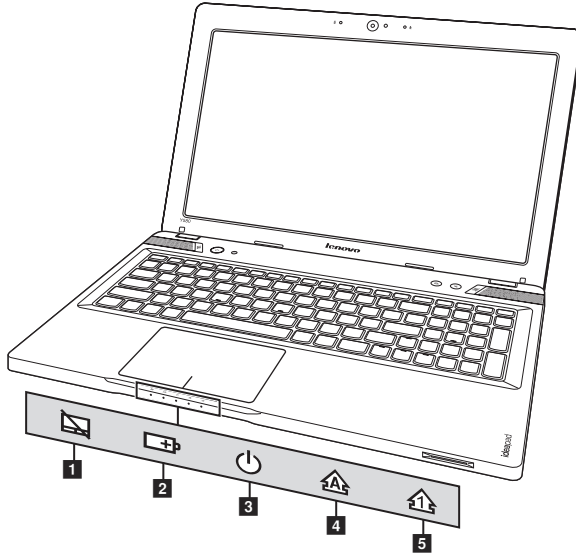







Table 2. Status indicators

Indicator	Meaning
1 Touchpad 	White: The touchpad is disabled.
2 Battery status 	Blinking amber: (500ms off/1s on) The remaining power of the battery is less than 5% of its capacity. Blinking amber: (100ms off/3.2s on) The battery is being charged with the remaining power between 5% and 20% of its capacity. Amber: The computer is operating on battery power with the remaining power between 5% and 20% of its capacity. Blinking white: The battery is being charged with the remaining power between 20% and 80% of its capacity. White: The remaining power of the battery is more than 80% of its capacity, or the computer is operating on battery power with the remaining power between 20% and 80% of its capacity.
3 Power on 	White: System is enabled. Blinking white: System is in sleep mode. off: System is in hibernate mode or shut down.
4 Caps lock 	White: Caps Lock mode is enabled. You can enter all alphabetic characters (A-Z) in uppercase without pressing the Shift key. To enable or disable Caps Lock mode, press the CapsLk key.
5 Num lock 	White: The separate numeric keypad on the keyboard is enabled. To enable or disable the numeric keypad, press the Num Lock key.

Fn key combinations

The following table shows the function of each combination of Fn with a function key.

Table 4. Fn key combinations

Fn + Esc:	Turn on/off the integrated camera.
Fn + F1:	Enter sleep mode.
Fn + F2:	Turn on/off the backlight of the LCD screen.
Fn + F3:	Open the interface for the display device switch to select this notebook or an external display.
Fn + F4:	Open the interface for display resolution settings.
Fn + F5:	Open the interface for integrated wireless devices settings (on/off).
Fn + F6:	Enable/Disable the touchpad.
Fn + F8 (Y480):	Enable/Disable the numeric keypad.
Fn + F9:	Start/Pause playback of Windows Media Player.
Fn + F10:	Stop playback of Windows Media Player.
Fn + F11:	Skip to the previous track.
Fn + F12:	Skip to the next track.
Fn + Insert (Y580):	Enable/Disable the scroll lock.
Fn + PgUp (Y480):	
Fn + PrtSc:	Activate the system request.
Fn + Home:	Activate the pause function.
Fn + End:	Activate the break function.
Fn + PgDn (Y480):	Activate the insert function.
Fn + ↑ / ↓:	Increase/Decrease display brightness.
Fn + → / ←:	Increase/Decrease sound volume.
Fn + Space (on select models):	Enable/Disable the keyboard backlight.

FRU replacement notices

This section presents notices related to removing and replacing parts. Read this section carefully before replacing any FRU.

Screw notices

Loose screws can cause a reliability problem. In the Lenovo computer, this problem is addressed with special nylon-coated screws that have the following characteristics:

- They maintain tight connections.
- They do not easily come loose, even with shock or vibration.
- They are harder to tighten.
- Each one should be used only once.

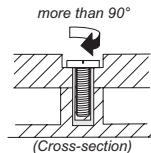
Do the following when you service this machine:

- Keep the screw kit in your tool bag.
- Always use new screws.
- Use a torque screwdriver if you have one.

Tighten screws as follows:

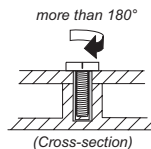
- **Plastic to plastic**

Turn an additional 90° after the screw head touches the surface of the plastic part:



- **Logic card to plastic**

Turn an additional 180° after the screw head touches the surface of the logic card:



- **Torque driver**

If you have a torque screwdriver, refer to the "Torque" column for each step.

- Make sure that you use the correct screws. If you have a torque screwdriver, tighten all screws firmly to the torque shown in the table. **Never use a screw that you removed. Use a new one. Make sure that all screws are tightened firmly.**
- Ensure torque screwdrivers are calibrated correctly following country specifications.

Removing and replacing an FRU

This section presents exploded figures with the instructions to indicate how to remove and replace the FRU. Make sure to observe the following general rules:

1. Do not attempt to service any computer unless you have been trained and certified. An untrained person runs the risk of damaging parts.
2. Before replacing any FRU, review “FRU replacement notices” on page 33.
3. Begin by removing any FRUs that have to be removed before the failing FRU. Any of such FRUs are listed at the top of the page. Remove them in the order in which they are listed.
4. Follow the correct sequence in the steps to remove the FRU, as given in the figures by the numbers in square callouts.
5. When turning a screw to replace an FRU, turn it in the direction as given by the arrow in the figure.
6. When removing the FRU, move it in the direction as given by the arrow in the figure.
7. To put the new FRU in place, reverse the removal procedures and follow any of the notes that pertain to replacement. For information about connecting and arranging internal cables, see “Locations” on page 71.
8. When replacing an FRU, use the correct screw as shown in the procedures.

 DANGER

Before removing any FRU, turn off the computer, unplug all power cords from electrical outlets, remove the battery pack, and then disconnect any of the interconnecting cables.

Attention: After replacing an FRU, do not turn on the computer until you have made sure that all screws, springs, and other small parts are in place and none are loose inside the computer. Verify this by shaking the computer gently and listening for rattling sounds. Metallic parts or metal flakes can cause electrical short circuits.

Attention: The system board is sensitive to, and can be damaged by, electrostatic discharge. Before touching it, establish personal grounding by touching a ground point with one hand or using an electrostatic discharge (ESD) strap (P/N 6405959) to remove potential shock reasons.

Note: The illustrations used in this section are of the Lenovo Y580, unless otherwise stated.

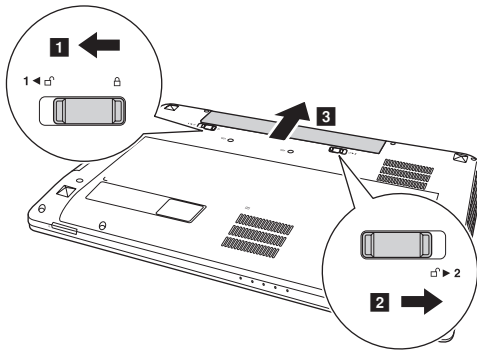
1010 Battery pack

⚠ DANGER

Only use the battery specified in the parts list for your computer. Any other battery could ignite or explode.

Figure 1. Removal steps of battery pack

Unlock the manual battery latch **1**. Holding the spring-loaded battery latch in the unlocked position **2**, remove the battery pack in the direction shown by the arrow **3**.



When installing: Install the battery pack along the slide rails of the slot. Then make sure that the battery release lever is in the locked position.

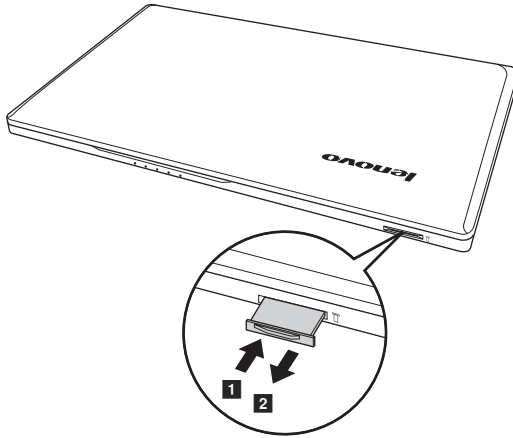
1020 Dummy card

For access, remove this FRU:

- “1010 Battery pack” on page 35

Figure 2. Removal steps of dummy cards

Remove the dummy card in the direction shown by arrows **1** **2**.



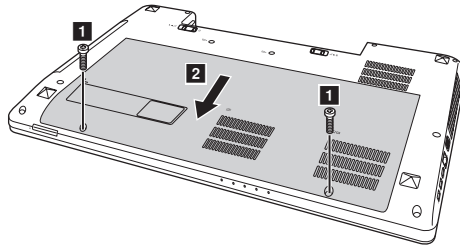
1030 Hard disk drive(HDD)/Memory/Mini PCI Express Card slot compartment cover

For access, remove this FRU:

- “1010 Battery pack” on page 35

Figure 3. Removal steps of HDD/Memory/Mini PCI Express Card slot/TV Card slot compartment cover

Loosen the screws **1** that secure the compartment cover. Remove the compartment cover **2** .



Step	Screw (quantity)	Color	Torque
1	M2.5 × 8 mm, flat-head, nylok-coated (2)	Black	1.5 ~ 2.0 kgfcm

1040 Hard disk drive

For access, remove these FRUs in order:

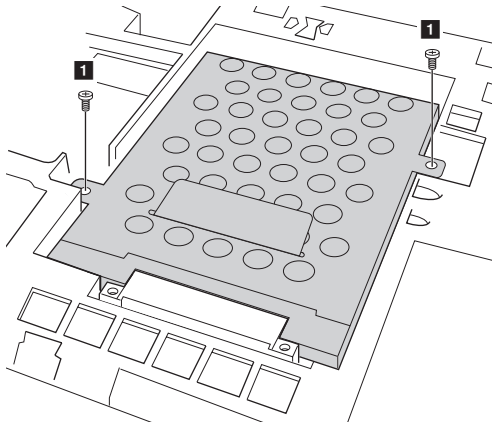
- “1010 Battery pack” on page 35
- “1030 Hard disk drive(HDD)/Memory/Mini PCI Express Card slot compartment cover” on page 37

Attention:

- **Do not drop the hard disk drive or apply any physical shock to it.**
The hard disk drive is sensitive to physical shock. Improper handling can cause damages and permanent loss of data.
- Before removing the drive, suggest the customer to backup all the information on it if possible.
- Never remove the drive while the system is operating or is in suspend mode.

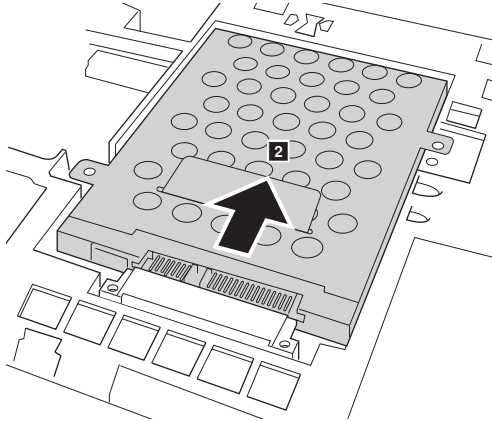
Figure 4. Removal steps of hard disk drive

Remove the frame fixing screws **1**.

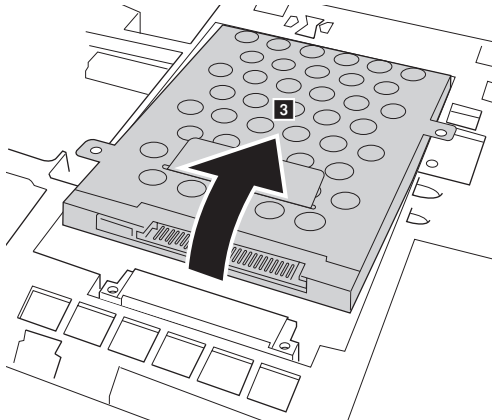


Step	Screw (quantity)	Color	Torque
1	M2.5 × 4 mm, flat-head, nylok-coated (1) (Y480)	Black	1.5 ~ 2.0 kgfcm
	M2.5 × 8 mm, flat-head, nylok-coated (1) (Y480)	Black	1.5 ~ 2.0 kgfcm
	M2.5 × 4 mm, flat-head, nylok-coated (1) (Y580)	Black	1.5 ~ 2.0 kgfcm
	M2.5 × 10 mm, flat-head, nylok-coated (1) (Y580)	Black	1.5 ~ 2.0 kgfcm

Pull the tab in the direction shown by arrow **2**.



Take out the hard disk drive secured in a metal frame **3**.



When installing: Make sure that the HDD connector is attached firmly.

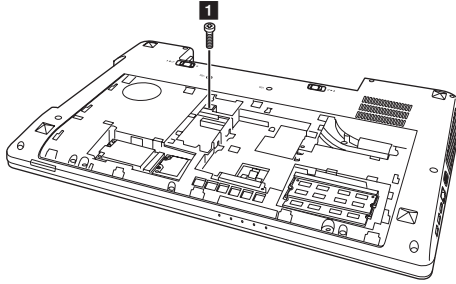
1050 Optical drive

For access, remove this FRU:

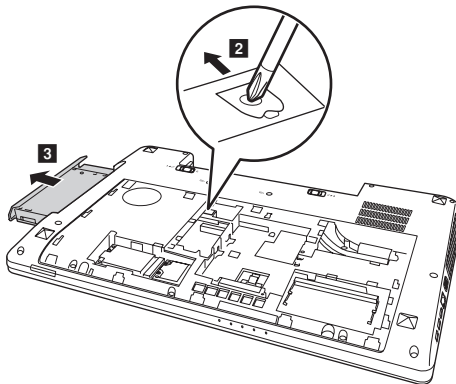
- “1010 Battery pack” on page 35

Figure 5. Removal steps of optical drive

Remove the screw **1**, insert a screwdriver into the screw hole and push the optical drive in the direction shown by arrow **2**. Pull the optical drive out in the direction shown by arrow **3**.



Step	Screw (quantity)	Color	Torque
1	M2.5 × 10 mm, flat-head, nylok-coated (1)	Black	1.5 ~ 2.0 kgfcm



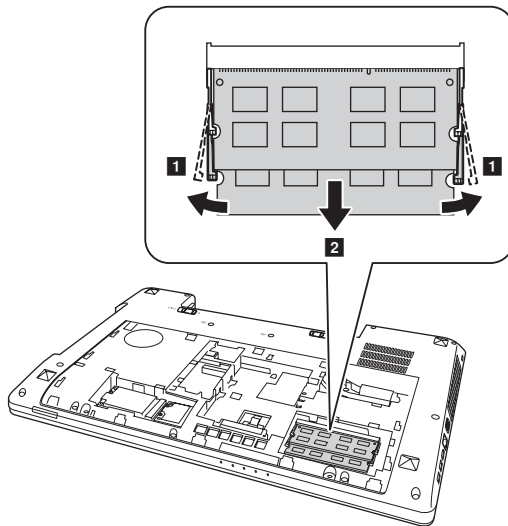
1060 DIMM

For access, remove these FRUs in order:

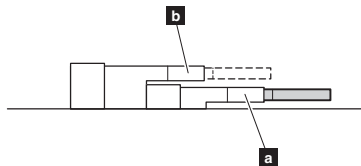
- “1010 Battery pack” on page 35
- “1030 Hard disk drive(HDD)/Memory/Mini PCI Express Card slot compartment cover” on page 37

Figure 6. Removal steps of DIMM

Release the two latches on both edges of the socket at the same time in the direction shown by arrows **1**, and then unplug the DIMM in the direction shown by arrow **2**.



Note: If only one DIMM is used on the computer you are servicing, the card must be installed in SLOT-0 (**a** : lower slot), but not in SLOT-1 (**b** : upper slot).



When installing: Insert the notched end of the DIMM into the socket. Push the DIMM firmly, and pivot it until it snaps into the place. Make sure that it is firmly fixed in the slot and difficult to be moved.

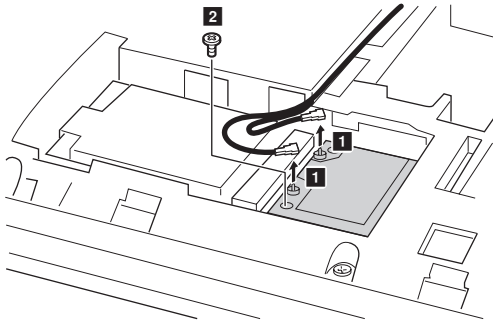
1070 PCI Express Mini Card for wireless LAN/WAN and TV Card

For access, remove these FRUs in order:

- “1010 Battery pack” on page 35
- “1030 Hard disk drive(HDD)/Memory/Mini PCI Express Card slot compartment cover” on page 37

Figure 7. Removal steps of PCI Express Mini Card for wireless LAN/WAN and TV Card

Disconnect the two wireless LAN cables **1**, and then remove the screw **2**.



In step **1**, unplug the jacks by using the removal tool antenna RF connector (P/N: 08K7159), or pick up the connectors with your fingers and gently unplug them in the direction shown by arrows.

Notes: wireless LAN card has 2 cables in step **1**.

Wireless LAN card in some models may have 3 cables in step **1**.

Step	Screw (quantity)	Color	Torque
2	M2 × 3 mm, flat-head, nylok-coated (1)	Black	1.0 ~ 1.5 kgfcm

Remove the card in the direction shown by arrow **3**.

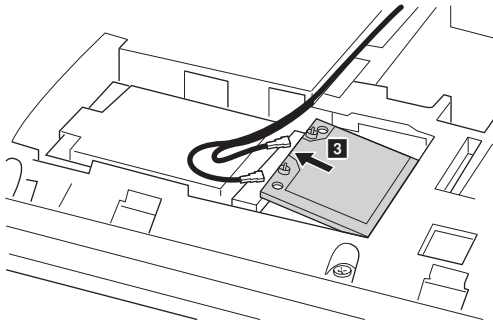
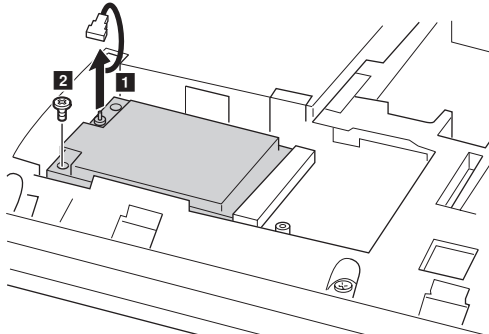


Figure 7. Removal steps of PCI Express Mini Card for wireless LAN/WAN and TV Card (continued)

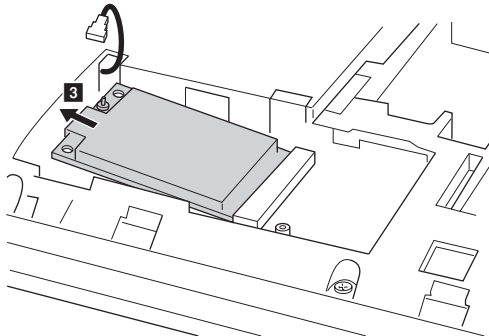
When installing:

- In models with a wireless LAN card that has two antenna connectors, plug the black cable (1st) (MAIN) into the jack labeled **1**, and the white cable (2nd) (AUX) into jack labeled **2** on the card.
- In models with a wireless LAN card that has three antenna connectors, plug the black cable (1st) (MAIN) into the jack labeled **1**, the grey cable (3rd) into jack labeled **3**, and the white cable (2nd) (AUX) into jack labeled **2** on the card.

Y580: Disconnect the TV card cable **1**, and then remove the screw **2**.



Y580: Remove the card in the direction shown by arrow **3**.



Step	Screw (quantity)	Color	Torque
5	M2.0 × 3 mm, flat-head, nylok-coated (1)	Black	1.0 ~ 1.5 kgfcm

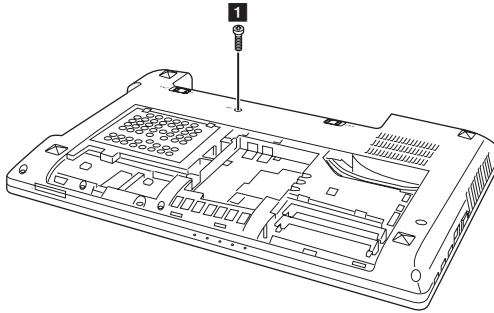
1080 Keyboard

For access, remove this FRU:

- “1010 Battery pack” on page 35

Figure 8. Removal steps of keyboard

Y480: Remove screw **1**.



Step	Screw (quantity)	Color	Torque
1	M2.5 × 8 mm, flat-head, nylok-coated(1)	Black	1.5 ~ 2.0 kgfcm

Y480: Loosen the keyboard with fingers in the direction shown by arrow **2**. Lift the keyboard a little **3**, and then detach the connector in the direction shown by arrow **4**.

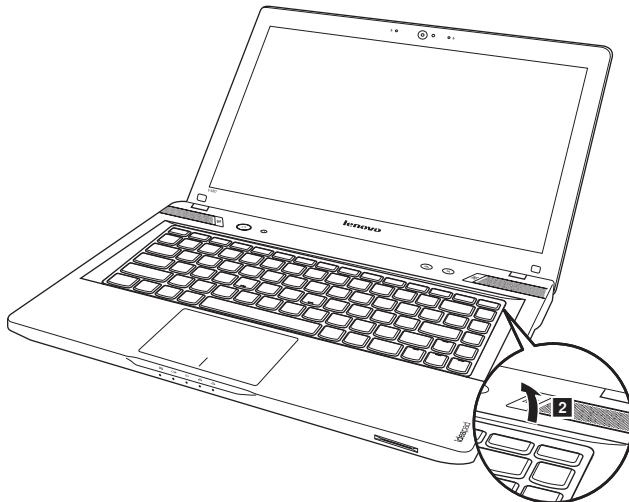
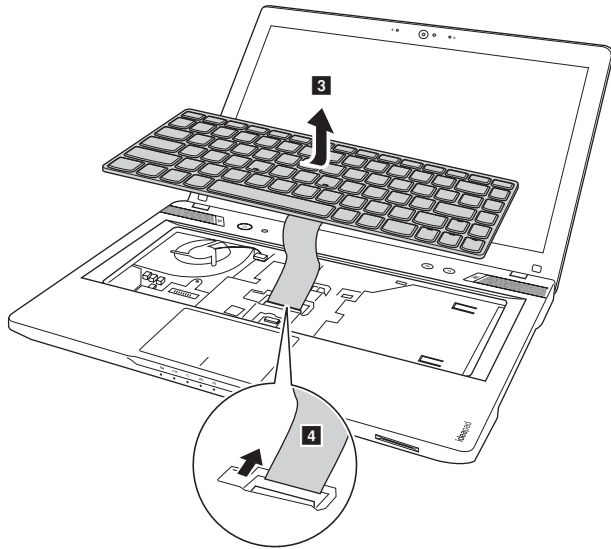
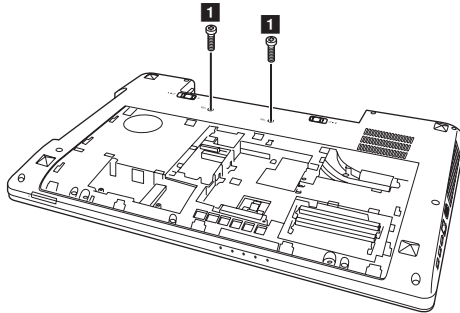


Figure 8. Removal steps of keyboard (continued)



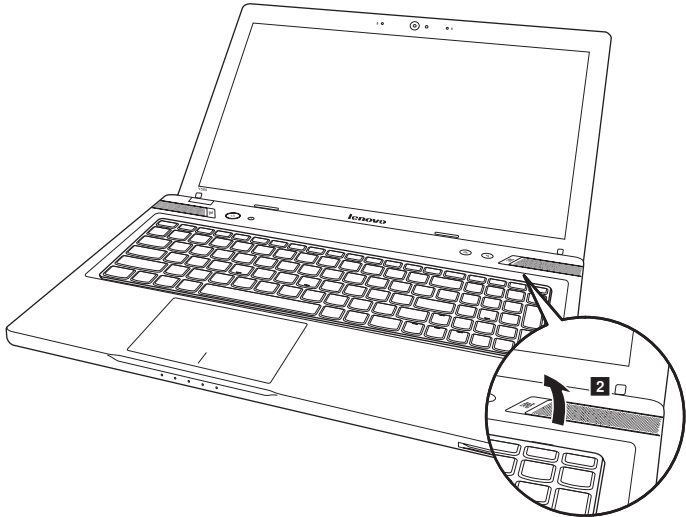
Y580: Remove the screws **1**.



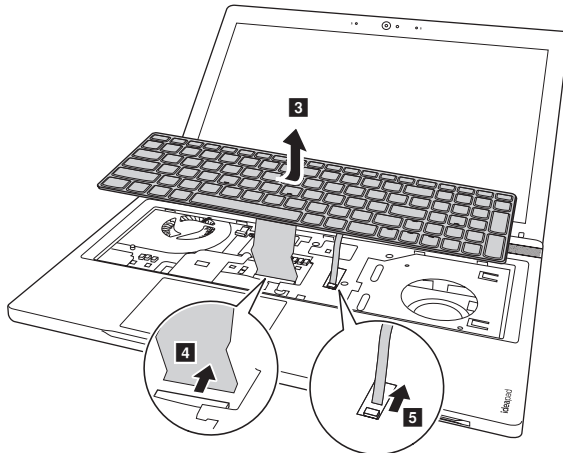
Step	Screw (quantity)	Color	Torque
1	M2.5 × 8 mm, flat-head, nylok-coated (2)	Black	1.5 ~ 2.0 kgfcm

Figure 8. Removal steps of keyboard (continued)

Y580: Loosen the keyboard with fingers in the direction shown by arrow **2**.



Y580: Lift the keyboard a little **3**, and then detach the connectors in the direction shown by arrows **4**, **5**.



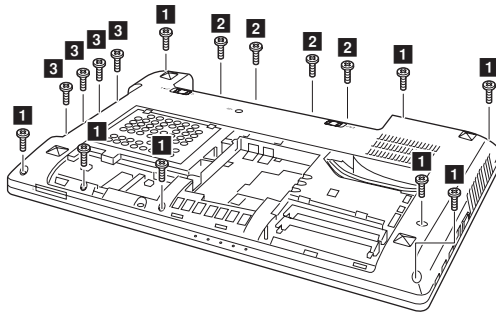
1090 Keyboard bezel

For access, remove these FRUs in order:

- “1010 Battery pack” on page 35
- “1030 Hard disk drive(HDD)/Memory/Mini PCI Express Card slot compartment cover” on page 37
- “1050 Optical drive” on page 40
- “1080 Keyboard” on page 44

Figure 9. Removal steps of keyboard bezel

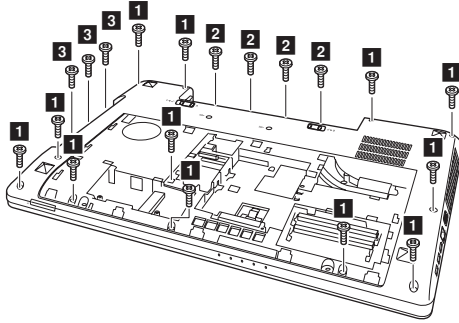
Y480: Remove eight screws **1**, four screws **2** and four screws **3** on the bottom.



Step	Screw (quantity)	Color	Torque
1	M2.5 × 8 mm, flat-head, nylok-coated (8)	Black	1.5 ~ 2.0 kgfcm
2	M2 × 2 mm, flat-head, nylok-coated (4)	Black	1.0 ~ 1.5 kgfcm
3	M2 × 3 mm, flat-head, nylok-coated (4)	Black	1.0 ~ 1.5 kgfcm

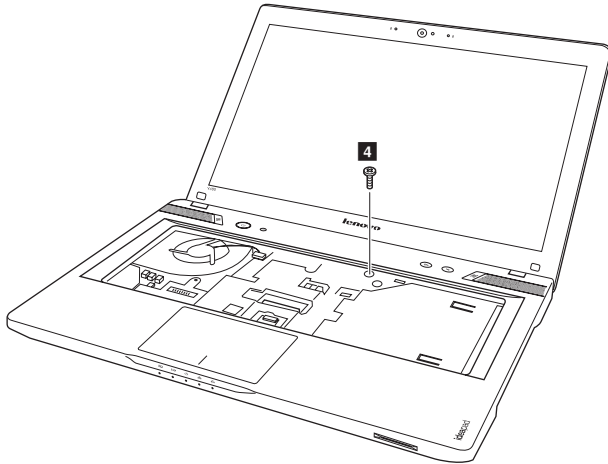
Figure 9. Removal steps of keyboard (continued)

Y580: Remove twelve screws **1**, four screws **2** and three screws **3** on the bottom.



Step	Screw (quantity)	Color	Torque
1	M2.5 × 8 mm, flat-head, nylok-coated(12)	Black	1.5 ~ 2.0 kgfcm
2	M2 × 2 mm, flat-head, nylok-coated (4)	Black	1.0 ~ 1.5 kgfcm
3	M2 × 3 mm, flat-head, nylok-coated (3)	Black	1.0 ~ 1.5 kgfcm

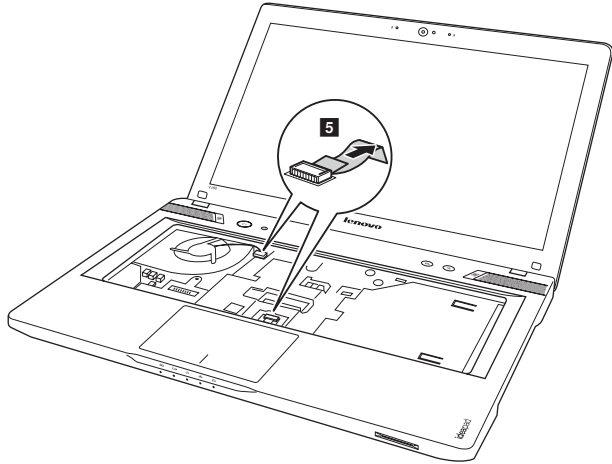
Y480: Remove the screw **4**.



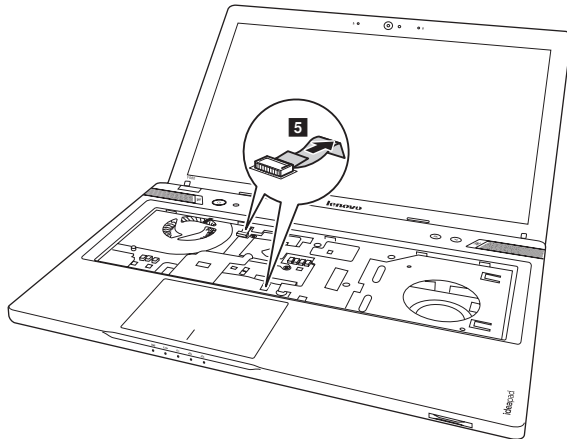
Step	Screw (quantity)	Color	Torque
4	Y480: M2.5 × 4 mm, flat-head, nylok-coated (1)	Black	1.5 ~ 2.0 kgfcm

Figure 9. Removal steps of keyboard bezel (continued)

Y480: Detach the power board connector and TouchPad cable in the direction shown by arrow **5**.



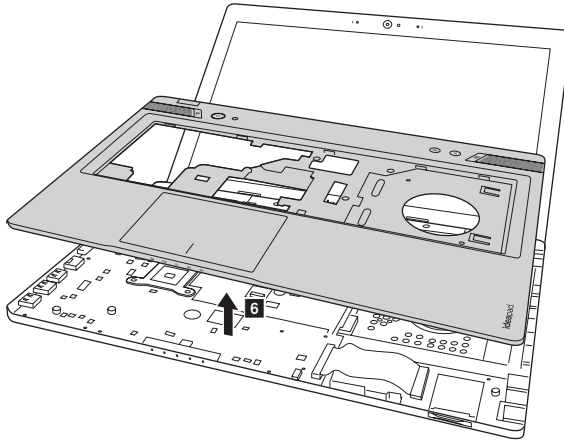
Y580: Detach the power board connector and TouchPad cable in the direction shown by arrow **5**.



When installing: Make sure that the power board connector and TouchPad cable are attached firmly.

Figure 9. Removal steps of keyboard bezel (continued)

Remove the keyboard bezel in the direction shown by arrow **6**.



1100 System board

Important notices for handling the system board:

When handling the system board, bear the following in mind.

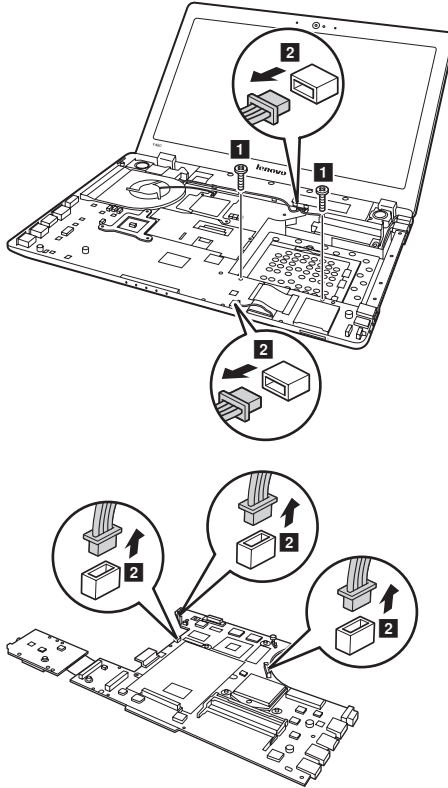
- Be careful not to drop the system board on a bench top that has a hard surface, such as metal, wood, or composite.
- Avoid rough handling of any kind.
- In the whole process, make sure not to drop or stack the system board.
- If you put a system board down, make sure to put it only on a padded surface such as an ESD mat or conductive corrugated material.

For access, remove these FRUs in order:

- “1010 Battery pack” on page 35
- “1020 Dummy card” on page 36
- “1030 Hard disk drive(HDD)/Memory/Mini PCI Express Card slot compartment cover” on page 37
- “1040 Hard disk drive” on page 38
- “1050 Optical drive” on page 40
- “1060 DIMM” on page 41
- “1070 PCI Express Mini Card for wireless LAN/WAN and TV Card” on page 42
- “1080 Keyboard” on page 44
- “1090 Keyboard bezel” on page 47

Figure 10. Removal steps of system board

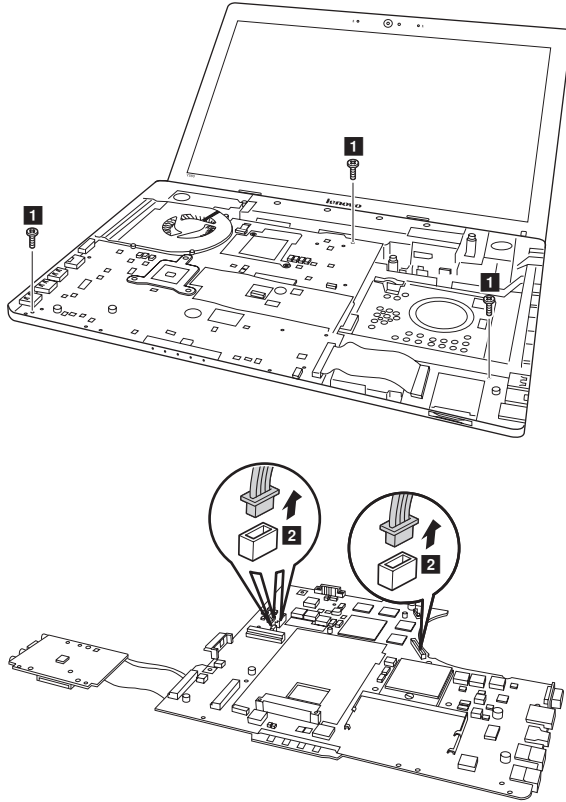
Y480: Loosen the screws **1**. Unplug LCD, USB, Power, speaker, bluetooth connectors in the direction shown by arrows **2**.



Step	Screw (quantity)	Color	Torque
1	M2.5 × 4 mm, flat-head, nylok-coated (2)	Black	1.5 ~ 2.0 kgfcm

Figure 10. Removal steps of system board

Y580: Loosen three screws **1**. Unplug LCD, USB, Power, speaker connectors in the direction shown by arrows **2**.

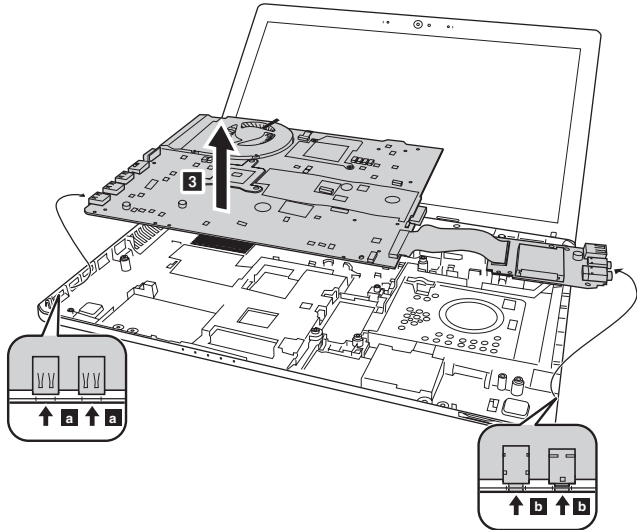


When installing: Make sure that all the connectors are attached firmly.

Step	Screw (quantity)	Color	Torque
1	M2.5 × 5 mm, flat-head, nylok-coated (3)	Black	1.5 ~2.0 kgfcm

Figure 10. Removal steps of system board (continued)

Remove the system board in the direction shown by arrow **3**.



When installing: When attaching the system board to the base cover, adjust the placement of the ports as shown in **a**, and make sure that both of the audio jack and the microphone jack are attached to the holes on the base cover as shown in **b**. Improper placement of the ports or those jacks might cause a damage.

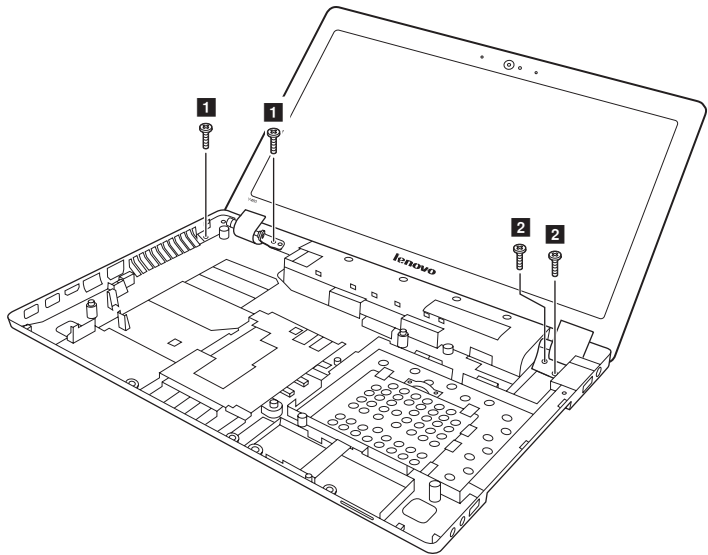
1110 LCD unit

For access, remove these FRUs in order:

- “1010 Battery pack” on page 35
- “1020 Dummy card” on page 36
- “1030 Hard disk drive(HDD)/Memory/Mini PCI Express Card slot compartment cover” on page 37
- “1040 Hard disk drive” on page 38
- “1050 Optical drive” on page 40
- “1060 DIMM” on page 41
- “1070 PCI Express Mini Card for wireless LAN/WAN and TV Card” on page 42
- “1080 Keyboard” on page 44
- “1090 Keyboard bezel” on page 47
- “1100 System board” on page 51

Figure 11. Removal steps of LCD unit

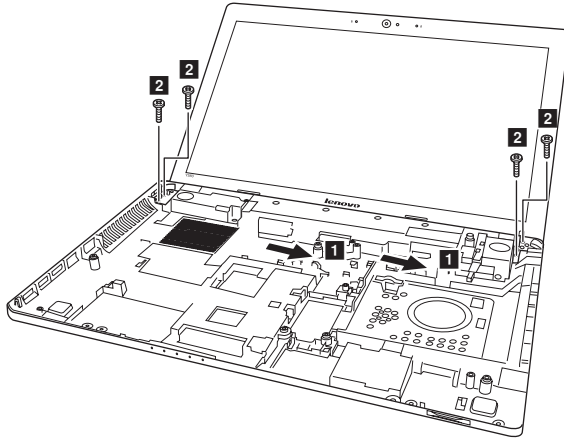
Y480: Remove two screws **1** and two screws **2**.



Step	Screw (quantity)	Color	Torque
1	M2.5 × 6 flat-head, nylok-coated (2)	White	1.5 ~2.0 kgfcm
2	M2.5 × 4 flat-head, nylok-coated (2)	Black	1.5 ~2.0 kgfcm

Figure 11. Removal steps of system board (continued)

Y580: Release the antenna cables from the cable guides in the direction shown by arrows **1**. Remove four screws **2**.



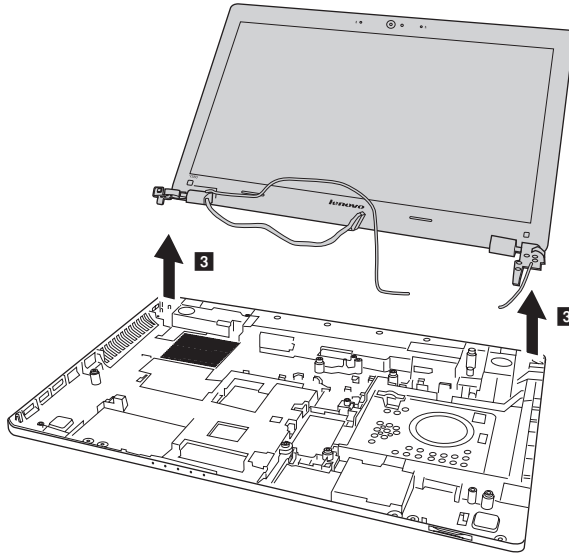
Step	Screw (quantity)	Color	Torque
2	M2.5 × 5 mm, flat-head, nylok-coated (4)	Black	1.5 ~ 2.0 kgfcm

When installing:

- Route the antenna cables along the cable guides. As you route the cables, make sure that they are not subjected to any tension. Tension could cause the cables to be damaged by the cable guides, or a wire to be broken.
- Make sure that the LCD connector is attached firmly and make sure that you do not pinch the antenna cables when you attach the LCD assembly. Route the LCD cable along the cable guides.

Figure 11. Removal steps of system board (continued)

Remove the LCD unit in the direction shown by arrows **3**.



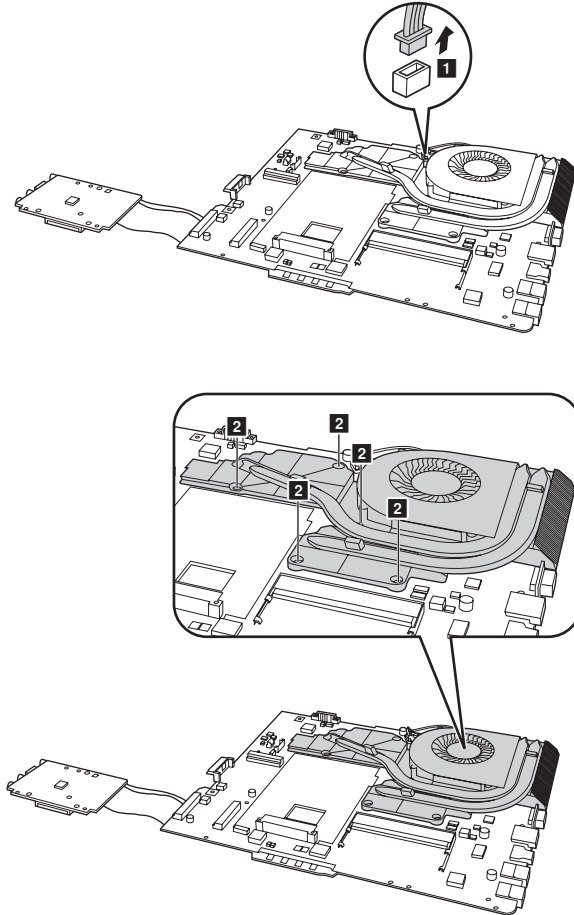
1120 Fan assembly and Heat Sink assembly

For access, remove these FRUs in order:

- “1010 Battery pack” on page 35
- “1020 Dummy card” on page 36
- “1030 Hard disk drive(HDD)/Memory/Mini PCI Express Card slot compartment cover” on page 37
- “1040 Hard disk drive” on page 38
- “1050 Optical drive” on page 40
- “1060 DIMM” on page 41
- “1070 PCI Express Mini Card for wireless LAN/WAN and TV Card” on page 42
- “1080 Keyboard” on page 44
- “1090 Keyboard bezel” on page 47
- “1100 System board” on page 51

Figure 12. Removal steps of fan assembly and heat sink assembly

Detach the fan connector in the direction shown by arrow **1** and loosen five screws **2** to lift the fan assembly.



When installing: Make sure that the fan connector is attached firmly to the system board.

Step	Screw (quantity)	Color	Torque
2	Y480: M2.0 × 3.2mm, flat-head, nylok-coated (5)	Black	1.0 ~ 1.5 kgfcm
	Y580: M2.0 × 6.5 mm, flat-head, nylok-coated (5)	Black	1.0 ~ 1.5 kgfcm

1130 CPU

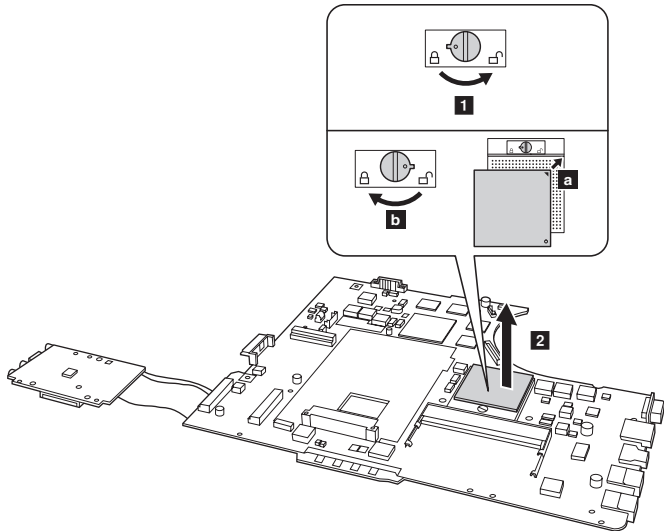
For access, remove these FRUs in order:

- “1010 Battery pack” on page 35
- “1020 Dummy card” on page 36
- “1030 Hard disk drive(HDD)/Memory/Mini PCI Express Card slot compartment cover” on page 37
- “1040 Hard disk drive” on page 38
- “1050 Optical drive” on page 40
- “1060 DIMM” on page 41
- “1070 PCI Express Mini Card for wireless LAN/WAN and TV Card” on page 42
- “1080 Keyboard” on page 44
- “1090 Keyboard bezel” on page 47
- “1100 System board” on page 51
- “1120 Fan assembly and Heat Sink assembly” on page 58

Attention: CPU is extremely sensitive. When you service the CPU, avoid any kind of rough handling.

Figure 13. Removal steps of CPU

Rotate the head of the screw in the direction shown by arrow **1** to release the lock, then remove the CPU in the direction shown by arrow **2**.



When installing: Place the CPU on the CPU socket in the direction shown by arrow **a**, and then rotate the head of the screw in the direction shown by arrow **b** to secure the CPU.

1140 Base cover, speakers and bluetooth card

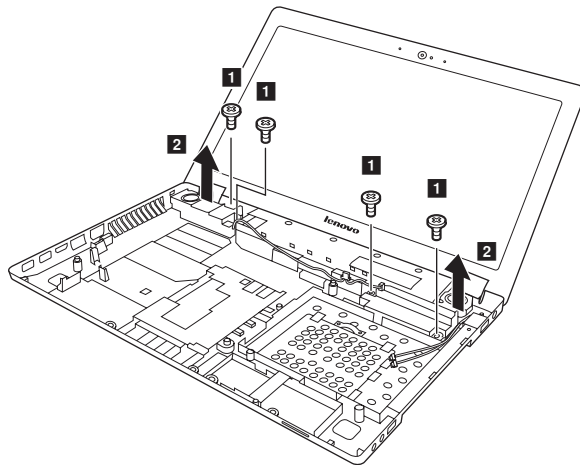
For access, remove these FRUs in order:

- “1010 Battery pack” on page 35
- “1020 Dummy card” on page 36
- “1030 Hard disk drive(HDD)/Memory/Mini PCI Express Card slot compartment cover” on page 37
- “1040 Hard disk drive” on page 38
- “1050 Optical drive” on page 40
- “1060 DIMM” on page 41
- “1070 PCI Express Mini Card for wireless LAN/WAN and TV Card” on page 42
- “1080 Keyboard” on page 44
- “1090 Keyboard bezel” on page 47
- “1110 LCD unit” on page 55
- “1100 System board” on page 51

Figure 14. Removal steps of base cover, speakers and bluetooth card

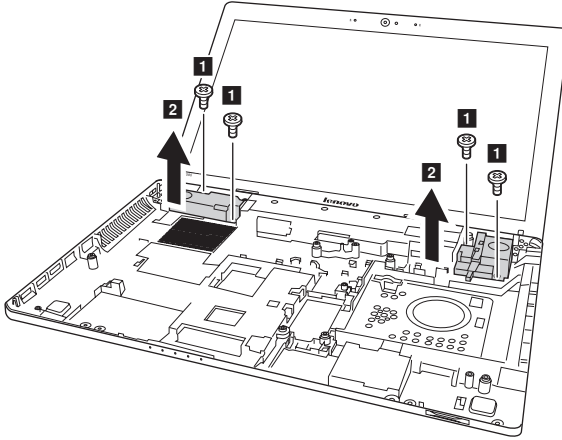
Loosen four screws **1**, and then remove the speakers **2**.

Y480:



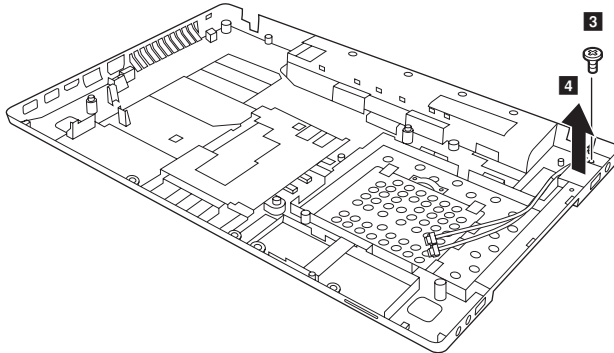
Step	Screw (quantity)	Color	Torque
1	M2.0 × 2 flat-head, nylok-coated (4)	Black	1.0 ~ 1.5 kgfcm

Figure 14. Removal steps of base cover and bluetooth card (continued)
Y580:



Step	Screw (quantity)	Color	Torque
1	M2.0 × 2 flat-head, nylok-coated (4)	Black	1.0 ~ 1.5 kgfcm

Y480: Loosen the screw **3**, then remove the USB in the direction shown by arrow **4**.

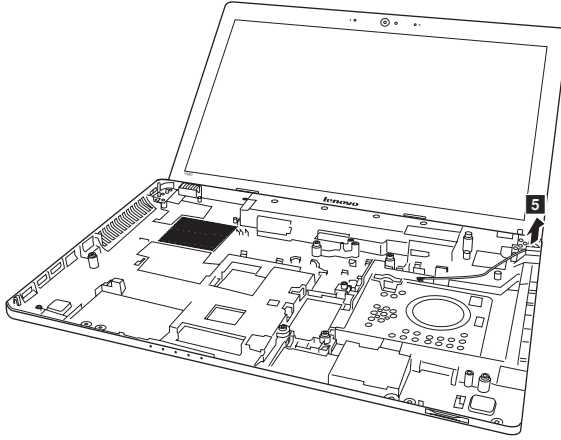


When installing: Make sure that the power connector is attached firmly.

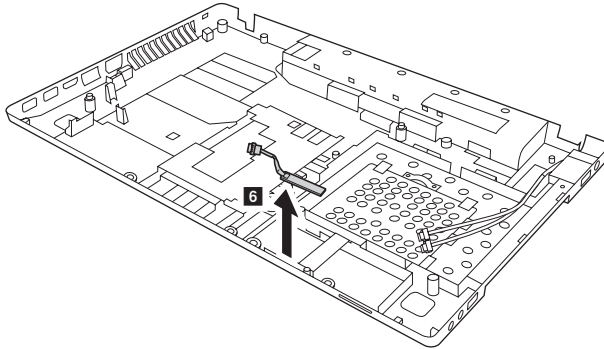
Step	Screw (quantity)	Color	Torque
3	M2.0 × 3 mm, flat-head, nylok-coated (1)	Black	1.0 ~ 1.5 kgfcm

Figure 14. Removal steps of base cover and bluetooth card (continued)

Y580: Remove the power assembly in the direction shown by arrow **5**.



Y480: Remove the bluetooth card in the direction shown by arrow **6**.



Note: Applying labels to the base cover

The new base cover FRU is shipped with a kit containing labels of several kinds. When you replace the base cover, you need to apply the following label:

The following labels need to be peeled off from the old base cover, and need to be put on the new base cover.

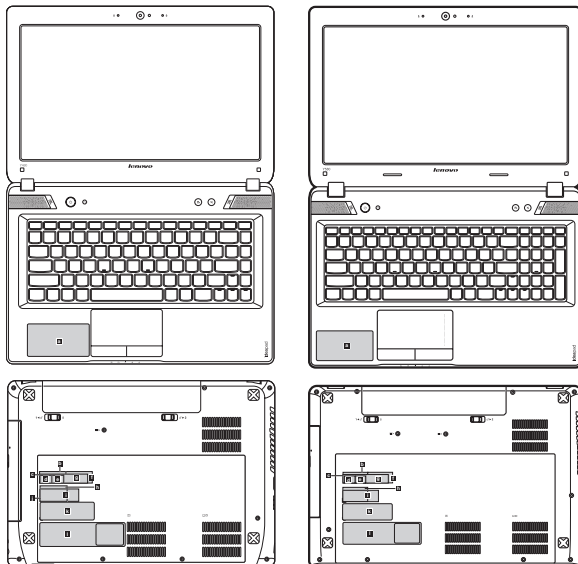
- a** Palm-rest Label
- b** Brazil Label (BT)
- c** BT Label for US/CA/TW or Indonesia Label for BT
- d** Malaysia SIRIM BT Label
- e** Malaysia SIRIM WLAN Label
- f** WLAN Label for BRAZIL or WLAN Label for ISRAEL
- g** WLAN Label for US/CA/TW or WLAN Label for INDONESIA or WLAN Label for US/TW
- h** INDONESIA D-SIDE LABEL
- i** PRC/MTM CODE
- j** KCC Label (Y480)
- k** COA Label
- l** Rating Label

For some models, you also need to apply one or two FCC labels. Check the old base cover; if it has one or two FCC labels, find duplicates of them in the label kit and apply them to the new base cover.

For the location of each label, refer to the following figure:

Y480

Y580



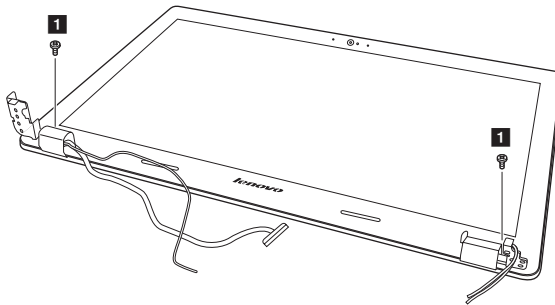
1150 LCD front bezel

For access, remove these FRUs in order:

- “1010 Battery pack” on page 35
- “1020 Dummy card” on page 36
- “1030 Hard disk drive(HDD)/Memory/Mini PCI Express Card slot compartment cover” on page 37
- “1040 Hard disk drive” on page 38
- “1050 Optical drive” on page 40
- “1060 DIMM” on page 41
- “1070 PCI Express Mini Card for wireless LAN/WAN and TV Card” on page 42
- “1080 Keyboard” on page 44
- “1090 Keyboard bezel” on page 47
- “1100 System board” on page 51
- “1110 LCD unit” on page 55

Figure 15. Removal steps of LCD front bezel

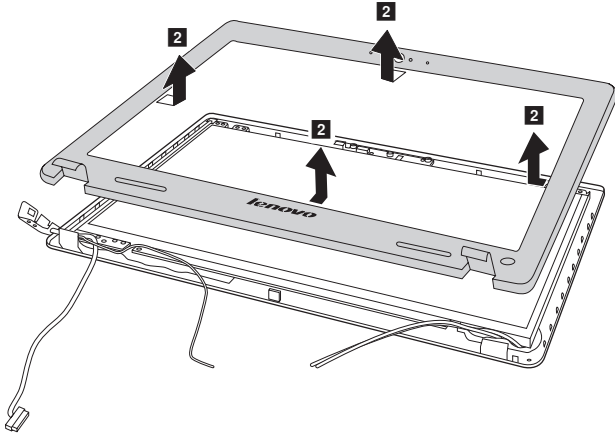
Remove two screws **1**.



Step	Screw (quantity)	Color	Torque
1	Y480: M2.0 × 4 mm, flat-head, nylok-coated (2)	White	1.0 ~ 1.5 kgfcm
	Y580: M2.5 × 5 mm, flat-head, nylok-coated (2)	White	1.5 ~ 2.0 kgfcm

Figure 15. Removal steps of LCD front bezel (continued)

Remove the LCD front bezel in the direction shown by arrows **2**.



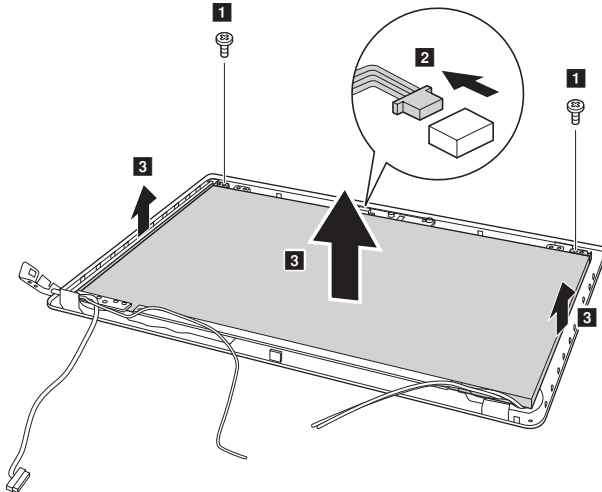
1160 LCD panel, LCD cable and hinges

For access, remove these FRUs in order:

- “1010 Battery pack” on page 35
- “1020 Dummy card” on page 36
- “1030 Hard disk drive(HDD)/Memory/Mini PCI Express Card slot compartment cover” on page 37
- “1040 Hard disk drive” on page 38
- “1050 Optical drive” on page 40
- “1060 DIMM” on page 41
- “1070 PCI Express Mini Card for wireless LAN/WAN and TV Card” on page 42
- “1080 Keyboard” on page 44
- “1090 Keyboard bezel” on page 47
- “1100 System board” on page 51
- “1110 LCD unit” on page 55
- “1150 LCD front bezel” on page 65

Figure 16. Removal steps of LCD panel, LCD cable and hinges

Y480: Remove two screws **1**. Unplug the integrated camera connector in the direction shown by arrow **2**. Lift the LCD panel in the direction shown by arrows **3**.

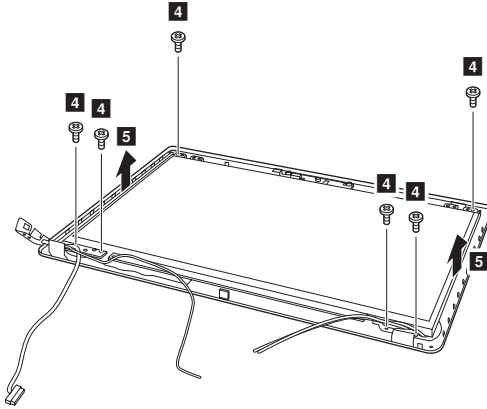


When installing: Make sure that the connector is attached firmly.

Step	Screw (quantity)	Color	Torque
1	M2.0 × 3 mm, flat-head, nylok-coated (2)	Black	1.0 ~ 1.5 kgfcm

Figure 16. Removal steps of LCD panel, LCD cable and hinges (continued)

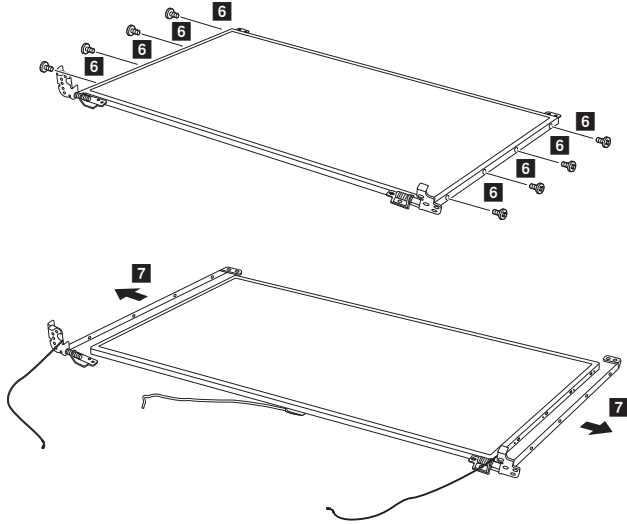
Y480: Remove six screws **4** and the hinges in the direction shown by arrows **5**.



Step	Screw (quantity)	Color	Torque
4	M2.0 × 3 mm, flat-head, nylok-coated (6)	Black	1.0 ~ 1.5 kgfcm

Figure 16. Removal steps of LCD panel, LCD cable and hinges (continued)

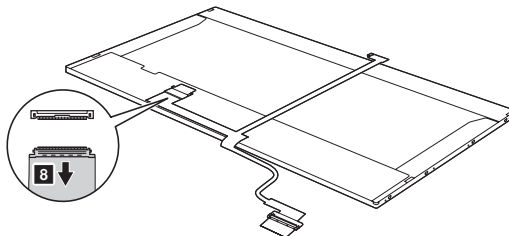
Y580: Remove eight screws **6**. Lift the LCD panel with hinges in the direction shown by arrows **7**.



Step	Screw (quantity)	Color	Torque
4	M2.0 × 3 mm, flat-head, nylok-coated (8)	Black	1.0 ~ 1.5 kgfcm

Note: The LCD cables are attached to the LCD panel by a metal connector.

Peel off the adhesive tape and detach the connector in the direction shown by arrow **8**.



When installing: Make sure that the metal connector is attached firmly.

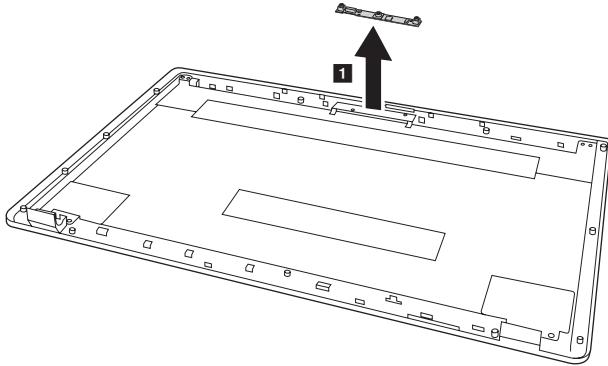
1170 Integrated camera

For access, remove these FRUs in order:

- “1010 Battery pack” on page 35
- “1020 Dummy card” on page 36
- “1030 Hard disk drive(HDD)/Memory/Mini PCI Express Card slot compartment cover” on page 37
- “1040 Hard disk drive” on page 38
- “1050 Optical drive” on page 40
- “1060 DIMM” on page 41
- “1070 PCI Express Mini Card for wireless LAN/WAN and TV Card” on page 42
- “1080 Keyboard” on page 44
- “1090 Keyboard bezel” on page 47
- “1100 System board” on page 51
- “1110 LCD unit” on page 55
- “1150 LCD front bezel” on page 65
- “1160 LCD panel, LCD cable and hinges” on page 67

Figure 17. Removal steps of integrated camera

Note: The integrated camera is stuck on the top center of the LCD cover.
Remove the integrated camera from the LCD cover **1**.

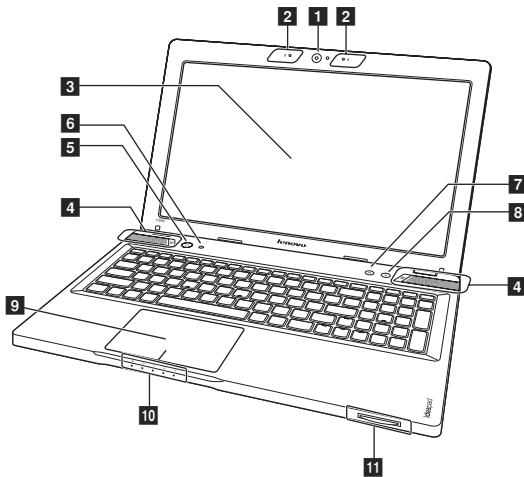


When installing: Stick the integrated camera to the top center of the LCD cover and adjust the placement of it to make sure the connector is attached firmly.

Locations

Front view

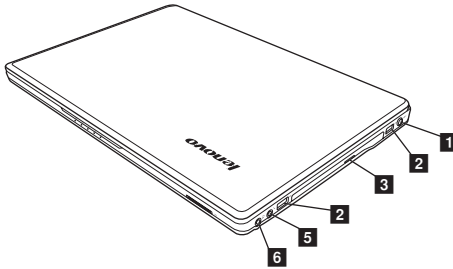
- 1** Integrated camera
- 2** Built-in microphone
- 3** Computer display
- 4** JBL speakers
- 5** Power button
- 6** OneKey Rescue system button
- 7** OneKey Theater button
- 8** Volume button
- 9** Touchpad
- 10** System status indicators
- 11** Memory card slot



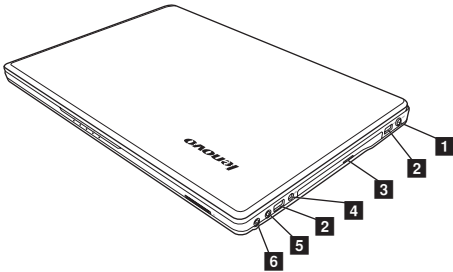
Right-side view

- 1** AC power adapter jack
- 2** USB port
- 3** Optical drive
- 4** TV-in jack (On select models)
- 5** Microphone jack
- 6** Headphone jack

Y480:

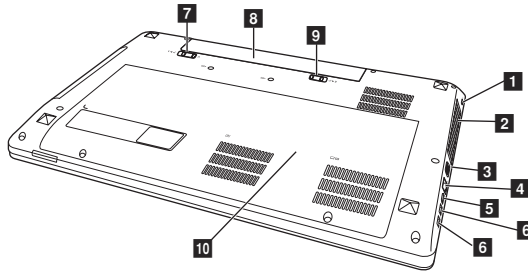


Y580:



Bottom and Left-side view

- 1** Kensington slot
- 2** Fan louvers
- 3** VGA port
- 4** RJ-45 port
- 5** HDMI port
- 6** USB port
- 7** Battery latch - manual
- 8** Battery pack
- 9** Battery latch - spring loaded
- 10** Hard disk drive (HDD)/Memory/Mini PCI Express Card slot compartment



Parts list

This section presents the following service parts:

- “Overall” on page 75
- “LCD FRUs” on page 84
- “Keyboard” on page 87
- “Miscellaneous parts” on page 93
- “AC adapters” on page 94
- “Power cords” on page 95

Notes:

- Each FRU is available for all types or models, unless specific types or models are specified.

Overall

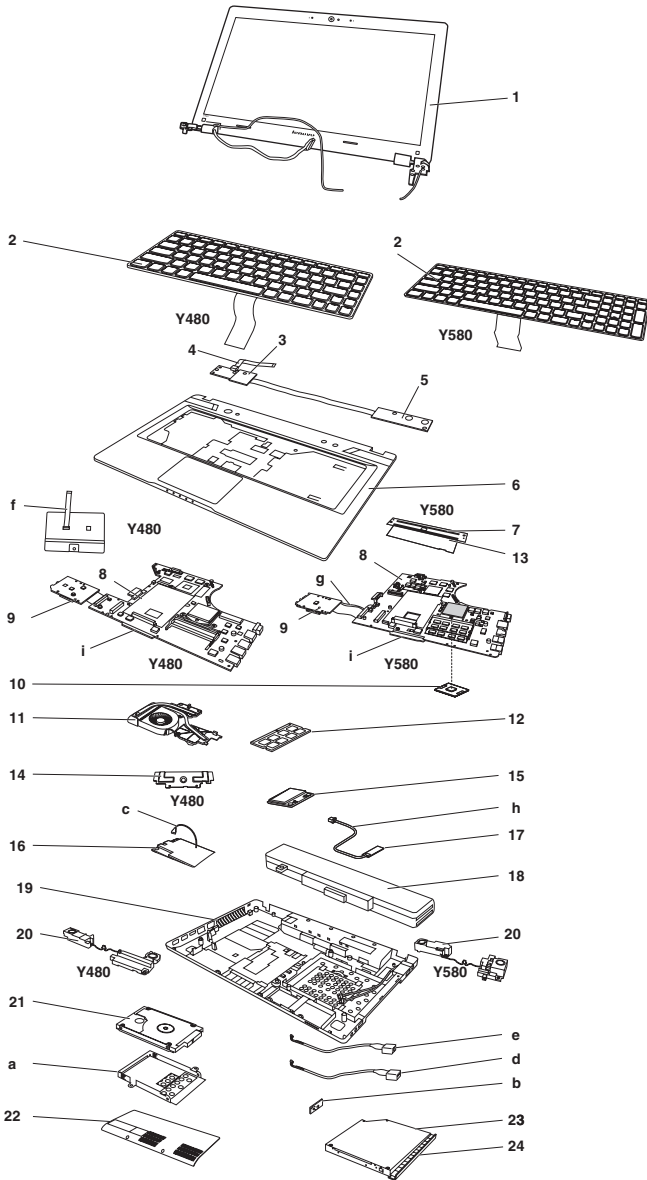


Table 5. Parts list—Overall

No.	FRU	FRU no.	CRU ID
1	LCD unit (see “LCD FRUs” on page 84.)		
2	Keyboard (see “Keyboard” on page 87.)		
3	QIYW3 Power Board Y480	90200360	N
3	QIYW3 Power Board (Y580)	90200360	N
4	QIYW3 Power Board Cable Y480	90200368	N
4	QIYW4 Power Board Cable (Y580)	90200839	N
5	QIYW3 Function Board W/Cable Y480	90200367	N
5	QIYW4 Function Board W/Cable (Y580)	90000241	N
6	QIYW3 Upper Case W/TP Y480	90200370	N
6	QIYW4 Upper Case W/TP (Y580)	90200841	N
7	QIYW4 TP Support Bracket (Y580)	90200850	*
8	QIYW3 MB QC GL 2G W/BT Y480	90000097	N
8	QIYW3 MB DC GL 1G W/BT Y480	90000098	N
8	QIYW3 MB QC GL 1G W/BT Y480	90000099	N
8	QIYW3 MB DC GL 2G W/BT Y480	90000100	N
8	QIYW3 MB DC GL 1G WO/BT Y480	90000101	N
8	QIYW3 MB QC GT 1G W/BT Y480	90000102	N
8	QIYW3 MB DC GT 1G WO/BT Y480	90000103	N
8	QIYW3 MB DC GT 2G W/BT Y480	90000104	N
8	QIYW3 MB QC GT 2G W/BT Y480	90000105	N
8	QIYW3 MB DC GT 1G W/BT Y480	90000106	N
8	QIYW4 MB QC GE 2G U2 W/BT/TV (Y580)	90000245	N
9	QIYW3 Audio Board W/USB2.0 (Y480)	90200373	N
9	QIYW3 Audio Board W/USB3.0 (Y480)	90200374	N
9	QIYW4 Audio Board W/USB2.0 (Y580)	90000242	N
9	QIYW4 Audio Board W/USB3.0 (Y580)	90000243	N
10	Processor,Ivy bridge core Quad-Core 45W,Intel I7-3610QM 2.3G E1 6M 4cPGA processor (Y480)	102500289	N

Table 5. Parts list—Overall (continued)

No.	FRU	FRU no.	CRU ID
10	Processor,Ivy bridge core Quad-Core 35W,Intel I7-3612QM 2.1G E1 6M 4cPGA processor (Y480)	102500290	N
10	Processor,Ivy bridge core Quad-Core 45W,Intel I7-3720Q 2.6G E1 6M 4cPGA processor (Y480)	102500306	N
10	Processor,Ivy bridge core Quad-Core 45W,Intel I7-3820QM 2.7G E1 6M 4cPGA processor (Y480)	102500304	N
10	Processor,Ivy bridge core Dual Core 35W,Intel I7-3520M 2.9G L1 4M 2cPGA processor (Y480)	102500295	N
10	Processor,Ivy bridge core Dual Core 35W,Intel I5-3360M 2.8G L1 3M 2cPGA processor (Y480)	102500297	N
10	Processor,Ivy bridge core Dual Core 35W,Intel I5-3320M 2.6G L1 3M 2cPGA processor (Y480)	102500299	N
10	Processor,Ivy bridge core Dual Core 35W,Intel I5-3210M 2.5G L1 3M 2cPGA processor (Y480)	102500301	N
10	Processor,Ivy bridge core Dual Core 35W, Intel I3-3110M 2.4G L1 3M 2cPGA processor (Y480)	102500303	N
10	Processor,Sandy bridge core Dual Core 35W,Intel I5-2450M 2.5G J1 3M 2cPGA processor (Y480)	102500226	N
10	Processor,Sandy bridge core Dual Core 35W,Intel I3-2370M 2.4G J1 3M 2cPGA processor (Y480)	102500228	N
10	Processor,Sandy bridge core Dual Core 35W, Intel SNB I3-2350M 2.3G 3M J1 PGA processor (Y480)	102500018	N
10	Processor, Ivy bridge core Quad-Core 45W, Intel I7-3610QM 2.3G E1 6M 4cPGA processor (Y580)	102500289	N
10	Processor, Ivy bridge core Quad-Core 35W, Intel I7-3612QM 2.1G E1 6M 4cPGA processor (Y580)	102500290	N
10	Processor, Ivy bridge core Quad-Core 45W, Intel I7-3720Q 2.6G E1 6M 4cPGA processor (Y580)	102500306	N
10	Processor, Ivy bridge core Quad-Core 45W, Intel I7-3820QM 2.7G E1 6M 4cPGA processor (Y580)	102500304	N
10	Processor, Ivy bridge core Dual Core 35W, Intel i7-3520M Ivy Bridge L-0 4MB 2c PGA 2.9GHz STD 35W (Y580)	102500295	N
10	Processor, Ivy bridge core Dual Core 35W, Intel i5-3360M Ivy Bridge L-0 3MB 2c PGA 2.8GHz STD 35W (Y580)	102500297	N
10	Processor, Ivy bridge core Dual Core 35W, Intel i5-3320M Ivy Bridge L-0 3MB 2c PGA 2.6GHz STD 35W (Y580)	102500299	N
10	Processor, Ivy bridge core Dual Core 35W, Intel i5-3210M Ivy Bridge L-0 3MB 2c PGA 2.5GHz STD 35W (Y580)	102500301	N
10	Processor, Ivy bridge core Dual Core 35W, Intel i3-3110M Ivy Bridge L-0 3MB 2c PGA 2.3GHz STD 35W (Y580)	102500303	N
10	Processor, Sandy bridge core Dual Core 35W, Intel I5-2450M 2.5G J1 3M 2cPGA processor (Y580)	102500226	N

Table 5. Parts list—Overall (continued)

No.	FRU	FRU no.	CRU ID
10	Processor, Sandy bridge core Dual Core 35W, Intel I3-2370M 2.4G J1 3M 2cPGA processor (Y580)	102500228	N
10	Processor, Sandy bridge core Dual Core 35W, Intel SNB I3-2350M 2.3G 3M J1 PGA processor (Y580)	102500018	N
11	QIWIY3 Thermal Module GL QC W/Fan (Y480)	90200380	N
11	QIWIY3 Thermal Module GL DC W/Fan (Y480)	90200381	N
11	QIWIY3 Thermal Module GT (Y480)	90200382	N
11	QIWIY4 Thermal Module W/Fan (Y580)	90200843	N
12	DDR3 1600 2GB, Samsung, M471B5773DH0-CK0 DDR3 1600 2GB (Y480)	11200340	N
12	DDR3 1600 2GB, Hynix, HMT325S6CFR8C-PB DDR3 1600 2GB (Y480)	11200343	N
12	DDR3 1600 2GB, Micron, MT8KTF25664HZ-1G6M1 DDR3 1600 2GB (Y480)	11200346	**
12	DDR3 1600 2GB, Ramaxel, RMT3150ED58E8W-1600 DDR3 1600 2GB (Y480)	11200392	**
12	DDR3 1600 2GB, Sharetronic (Micron), SM321NH08IAF DDR3 1600 2GB (Y480)	11200396	**
12	DDR3 1600 4GB, Samsung, M471B5273DH0-CK0 DDR3 1600 4GB (Y480)	11200341	**
12	DDR3 1600 4GB, Micron, MT16KTF51264HZ-1G6M1 DDR3 1600 4GB (Y480)	11200347	**
12	DDR3 1600 4GB, Hynix, HMT351S6CFR8C-PB DDR3 1600 4GB (Y480)	11200344	**
12	DDR3 1600 4GB, Ramaxel, RMT3160ED58E9W-1600 DDR3 1600 4GB (Y480)	11200393	**
12	DDR3 1600 4GB, Sharetronic (Micron), SM322NQ08IAF DDR3 1600 4GB (Y480)	11200397	**
12	DDR3 1600 8GB, Samsung, M471B1G73BH0-CK0 DDR3 1600 8GB (Y480)	11200342	**
12	DDR3 1600 8GB, Micron, MT16KTF1G64HZ-1G6D1 DDR3 1600 8GB (Y480)	11200507	**
12	DDR3 1600 8GB, Micron, MT16JTF1G64HZ-1G6D1 (Y480)	TBD	**
12	DDR3 1600 8GB, Hynix, HMT41GS6MFR8C-PB DDR3 1600 8GB (Y480)	11200345	**
12	DDR3 1600 2GB, Samsung, M471B5773DH0-CK0 DDR3 1600 2GB (Y580)	11200340	**
12	DDR3 1600 2GB, Hynix, HMT325S6CFR8C-PB DDR3 1600 2GB (Y580)	11200343	**
12	DDR3 1600 2GB, Micron, MT8KTF25664HZ-1G6M1 DDR3 1600 2GB (Y580)	11200346	**
12	DDR3 1600 2GB, Ramaxel, RMT3150ED58E8W-1600 DDR3 1600 2GB (Y580)	11200392	**
12	DDR3 1600 2GB, Sharetronic (Micron), SM321NH08IAF DDR3 1600 2GB (Y580)	11200396	**
12	DDR3 1600 4GB, Samsung, M471B5273DH0-CK0 DDR3 1600 4GB (Y580)	11200341	**
12	DDR3 1600 4GB, Micron, MT16KTF51264HZ-1G6M1 DDR3 1600 4GB (Y580)	11200347	**

Table 5. Parts list—Overall (continued)

No.	FRU	FRU no.	CRU ID
12	DDR3 1600 4GB, Hynix, HMT351S6CFR8C-PB DDR3 1600 4GB (Y580)	11200344	**
12	DDR3 1600 4GB, Ramaxel, RMT3160ED58E9W-1600 DDR3 1600 4GB (Y580)	11200393	**
12	DDR3 1600 4GB, Sharetronic (Micron), SM322NQ08IAF DDR3 1600 4GB (Y580)	11200397	**
12	DDR3 1600 8GB, Samsung, M471B1G73BH0-CK0 DDR3 1600 8GB (Y580)	11200342	**
12	DDR3 1600 8GB, Micron, MT16KTF1G64HZ-1G6D1 DDR3 1600 8GB (Y580)	11200507	**
12	DDR3 1600 8GB, Micron, MT16JTF1G64HZ-1G6D1 (Y580)	TBD	**
12	DDR3 1600 8GB, Hynix, HMT41GS6MFR8C-PB DDR3 1600 8GB (Y580)	11200345	**
13	QIWY4 TP Support Bracket Y580	90200849	N
14	QIWY3 TP Metal Bracket Y480	90200372	N
15	WLAN card, WiFi 1x2 BGN + WiMAX, Intel 6150NX MOW M PCIE NB HMC (LI) (Y480)	20002484	**
15	WLAN card, WiFi 2x2 BGN, Intel 2200N MOW M PCIE NB HMC (Y480)	20200048	**
15	WLAN card, WiFi 1x1 BGN, CyberTan, Cbt BCM4313 MOW M PCIE NB HMC (Y480)	20002505	**
15	WLAN card, WiFi 1x1 BGN, Liteon AR9285 HB95 BGN MOW NB (Y480)	20002357	**
15	WLAN card, WiFi 2x2 BGN+BT, Cbt BCM43227HMB BGN+BT HMC (Y480)	20200045	**
15	WLAN card, WiFi 2x2 BGN+BT, Liteon WB197 BGN+BT HMC (Y480)	20002520	N
15	WLAN card, WiFi 1x1 BGN+BT, Cbt BCM4313HMGB BGN+BT HMC (Y480)	20002501	N
15	WLAN card, WiFi 1x1 BGN+BT, Liteon WB195 BGN+BT HMC (Y480)	20002524	N
15	WLAN card, WiFi 1x2 BGN + WiMAX, Intel 6150NX MOW M PCIE NB HMC (LI) (Y580)	20002484	N
15	WLAN card, WiFi 2x2 BGN, Intel 2200N MOW M PCIE NB HMC (Y580)	20200048	N
15	WLAN card, WiFi 1x1 BGN, CyberTan, Cbt BCM4313 MOW M PCIE NB HMC (Y580)	20002505	N
15	WLAN card, WiFi 1x1 BGN, Liteon AR9285 HB95 BGN MOW NB (Y580)	20002357	N
15	WLAN card, WiFi 2x2 BGN+BT4.0, CyberTan, Cbt BCM43227HMB BGN+BT HMC (Y580)	20200045	N
15	WLAN card, WiFi 2x2 BGN+BT3.0, Liteon WB197 BGN+BT HMC (Y580)	20002520	*
15	WLAN card, WiFi 1x1 BGN+BT4.0, CyberTan, Cbt BCM4313HMGB BGN+BT HMC (Y580)	20002501	*
15	WLAN card, WiFi 1x1 BGN+BT3.0, Liteon, Liteon WB195 BGN+BT HMC (Y580)	20002524	*

Table 5. Parts list—Overall (continued)

No.	FRU	FRU no.	CRU ID
16	TV Tuner Module, DMB-T, Geniatech, MM7000DMBT TV TUNER	11011329	*
16	TV Tuner Module, DMB-T, Yuan, MC163 TV TUNER HYBRID MINICAR	11011447	*
16	TV Tuner Module, DVB-T, Avermedia, AM H339 DVBT Hybrid TV Turner MiniCard	101500048	*
16	TV Tuner Module, ATSC, Avermedia, AM H339 ATSC Hybrid TV Turner MiniCard	101500047	*
16	TV Tuner Module, DVB-T / ATSC, Yuan, MC907 TV TUNER HYBRID MINICAR	11013387	*
17	Bluetooth card, BT4.0, Cbt BCM920702 BT4.0 EDR Flash U NB (Y480)	20200056	*
17	Bluetooth card, BT4.0, Ltn BCM920702 BT4.0 EDR Flash U NB (Y480)	20200057	*
17	Bluetooth card, BT4.0, CyberTan, Cbt BCM920702 BT4.0 EDR Flash U NB (Y580)	20200056	*
17	Bluetooth card, BT4.0, Ltn BCM920702 BT4.0 EDR Flash U NB (Y580)	20200057	*
18	Battery pack, 6cell 48Wh, Sanyo L11S6Y01 3S2P 48Wh battery Comm02 (Y480)	121500040	*
18	Battery pack, 6cell 48Wh, Sony L11N6Y01 3S2P 48Wh battery Comm02 (Y480)	121500041	*
18	Battery pack, 6cell 48Wh, LG L11L6Y01 3S2P 48Wh battery Comm02 (Y480)	121500042	*
18	Battery pack, 6cell 48Wh, SMP/S L11M6Y01 3S2P 48Wh battery Comm02 (Y480)	121500043	*
18	Battery pack, 6cell 72Wh, Pana L11P6R01 3S2P 72Wh battery Comm03 (Y480)	121500037	*
18	Battery pack, 6cell 72Wh, Sony L11N6R01 3S2P 72Wh battery Comm03 (Y480)	121500039	*
18	Battery pack, 3S2P, 6cell 62Wh, Sanyo L11S6F01 3S2P 62Wh battery Comm04 (Y480)	121500062	*
18	Battery pack, 3S2P, 6cell 62Wh, LG L11L6F01 3S2P 62Wh battery Comm04 (Y480)	121500063	*
18	Battery pack, 3S2P, 6cell 72Wh, LG L11L6R01 3S2P 72Wh battery Comm03 (Y480)	121500038	*
18	Battery pack, 6cell 4400mAh 48Wh, Sanyo, Sanyo L11S6Y01 3S2P 48Wh battery Comm02 (Y580)	121500040	*
18	Battery pack, 6cell 4400mAh 48Wh, Sony, Sony L11N6Y01 3S2P 48Wh battery Comm02 (Y580)	121500041	*
18	Battery pack, 6cell 4400mAh 48Wh, LG, LG L11L6Y01 3S2P 48Wh battery Comm02 (Y580)	121500042	*
18	Battery pack, 6cell 4400mAh 48Wh, SMP, SMP/S L11M6Y01 3S2P 48Wh battery Comm02 (Y580)	121500043	*
18	Battery pack, 6cell 6800mAh 72Wh, Panasonic, Pana L11P6R01 3S2P 72Wh battery Comm03 (Y580)	121500037	*
18	Battery pack, 6cell 6800mAh 72Wh, Sony, Sony L11N6R01 3S2P 72Wh battery Comm03 (Y580)	121500039	*
18	Battery pack, 3S2P, 6cell 5600mAh 62Wh, Sanyo, Sanyo L11S6F01 3S2P 62Wh battery Comm04 (Y580)	121500062	*
18	Battery pack, 3S2P, 6cell 5600mAh 62Wh, LG, LG L11L6F01 3S2P 62Wh battery Comm04 (Y580)	121500063	*

Table 5. Parts list—Overall (continued)

No.	FRU	FRU no.	CRU ID
18	Battery pack, 3S2P, 6cell 6400mAh 72Wh, LG, LG L11L6R01 3S2P 72Wh battery Comm03 (Y580)	121500038	*
19	QIWIY3 Lower Case Y480	90200383	N
19	QIWIY4 Lower Case W/TV Tuner (Y580)	90200851	N
19	QIWIY4 Lower Case WO/TV Tuner (Y580)	90200852	N
20	Speaker, JBL Speaker, Ou Xun (JBL), Y480 JBL Odyssey II Speaker	25203152	N
20	Speaker, JBL Speaker, Ou Xun (JBL), Y580 JBL Odyssey II Speaker	25203153	N
21	Solid-state drive , mSATA 32G, Sandisk X100 32G mSATA SSD (Y480)	16200162	*
21	Solid-state drive , mSATA 32G, Samsung PM830 32G mSATA SSD (Y480)	16200108	*
21	Solid-state drive , mSATA 32G, Micron C400 32G mSATA SSD (Y480)	16200163	*
21	Solid-state drive , mSATA 64G, Sandisk X100 64G mSATA SSD (Y480)	16200105	*
21	Solid-state drive , mSATA 64G, Samsung PM830 64G mSATA SSD (Y480)	16200109	*
21	Solid-state drive , mSATA 64G, Micron C400 64G mSATA SSD (Y480)	16200164	*
21	Solid-state drive , mSATA 32G, Sandisk X100 32G mSATA SSD (Y580)	16200162	*
21	Solid-state drive , mSATA 32G, Samsung PM830 32G mSATA SSD (Y580)	16200108	*
21	Solid-state drive , mSATA 32G, Micron C400 32G mSATA SSD (Y580)	16200163	*
21	Solid-state drive , mSATA 64G, Sandisk X100 64G mSATA SSD (Y580)	16200105	*
21	Solid-state drive , mSATA 64G, Samsung PM830 64G mSATA SSD (Y580)	16200109	*
21	Solid-state drive , mSATA 64G, Micron C400 64G mSATA SSD (Y580)	16200163	*
21	Hard disk drive, 500G 5400rpm, WD WD5000BPVT-24A1YT0 5400PRM 9.5mm 500 HDD(Y480)	16200089	**
21	Hard disk drive, 500G 5400rpm, WD WD5000BPVT-24HXZ 5400RPM 500G HDD(Y480)	16004846	**
21	Hard disk drive, 500G 5400rpm, Toshiba MK5065GSX 5400RPM 500G HDD(Y480)	16004643	**
21	Hard disk drive, 500G 5400rpm, Seagate ST9500325AS 500G 9NB HDD(Y480)	16004189	**
21	Hard disk drive, 500G 5400rpm, Seagate M8 9.5 5400 500G(Y480)	16200210	**
21	Hard disk drive, 500G 5400rpm, HGST HTS545050A7E380 5400PRM7mm 500G HDD(Y480)	16200067	**
21	Hard disk drive, 750G 5400rpm, WD WD7500BPVT-24A1YT0 5400PRM 9.5mm 750 HDD(Y480)	16200088	**
21	Hard disk drive, 750G 5400rpm, WD WD7500BPVT-24HXZ 5400RPM 750G HDD(Y480)	16004848	**

Table 5. Parts list—Overall (continued)

No.	FRU	FRU no.	CRU ID
21	Hard disk drive, 750G 5400rpm, Toshiba MK7575GSX 5400RPM 750G HDD(Y480)	16005334	**
21	Hard disk drive, 750G 5400rpm, HTS541075A9E680 9.5 5.4K 750G HDD(Y480)	16200192	**
21	Hard disk drive, 750G 5400rpm, Seagate M8 9.5 5400 750G(Y480)	16200209	**
21	Hard disk drive, 750G 5400rpm, Seagate ST9750423AS 5400RPM 750G HDD(Y480)	16005333	**
21	Hard disk drive, 1TB 5400rpm, WD WD10JPVT-24A1YT0 5400PRM 9.5mm 1T HDD(Y480)	16200071	**
21	Hard disk drive, 1TB 5400rpm, Seagate M8 9.5 5400 1T(Y480)	16200208	N
21	Hard disk drive, 1TB 5400rpm, HTS541010A9E680 9.5 5.4K 1T HDD(Y480)	16200193	N
21	Hard disk drive, 500G 7200rpm, WD WD5000BPKT 7200RPM 500G HDD(Y480)	16200004	N
21	Hard disk drive, 500G 7200rpm, TSB MK5061GSY 7200PRM 9.5mm 500G HDD(Y480)	16200086	**
21	Hard disk drive, 500G 7200rpm, HTS725050A7E630 7 7.2K 500G HDD(Y480)	16200195	**
21	Hard disk drive, 500G 7200rpm, Seagate ST9500423AS 7200RPM 500G HDD(Y480)	16200020	**
21	Hard disk drive, 500G 5400rpm, WD WD5000BPVT-24A1YT0 5400PRM 9.5mm 500 HDD(Y580)	16200089	**
21	Hard disk drive, 500G 5400rpm, WD WD5000BPVT-24HXZ 5400RPM 500G HDD(Y580)	16004846	**
21	Hard disk drive, 500G 5400rpm, Toshiba MK5065GSX 5400RPM 500G HDD(Y580)	16004643	**
21	Hard disk drive, 500G 5400rpm, Seagate ST9500325AS 500G 9NB HDD(Y580)	16004189	**
21	Hard disk drive, 500G 5400rpm, Seagate M8 9.5 5400 500G(Y580)	16200210	**
21	Hard disk drive, 500G 5400rpm, HGST HTS545050A7E380 5400PRM7mm 500G HDD(Y580)	16200067	**
21	Hard disk drive, 750G 5400rpm, WD WD7500BPVT-24A1YT0 5400PRM 9.5mm 750 HDD(Y580)	16200088	N
21	Hard disk drive, 750G 5400rpm, WD WD7500BPVT-24HXZ 5400RPM 750G HDD(Y580)	16004848	N
21	Hard disk drive, 750G 5400rpm, Toshiba MK7575GSX 5400RPM 750G HDD(Y580)	16005334	N
21	Hard disk drive, 750G 5400rpm, HTS541075A9E680 9.5 5.4K 750G HDD(Y580)	16200192	**
21	Hard disk drive, 750G 5400rpm, Seagate M8 9.5 5400 750G(Y580)	16200209	**
21	Hard disk drive, 750G 5400rpm, Seagate ST9750423AS 5400RPM 750G HDD(Y580)	16005333	N

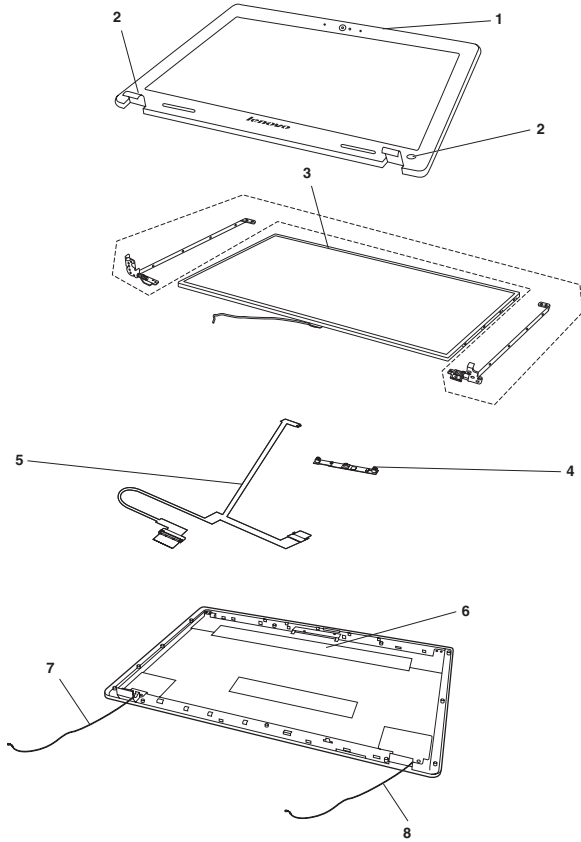
Table 5. Parts list—Overall (continued)

No.	FRU	FRU no.	CRU ID
21	Hard disk drive,1TB 5400rpm, WD WD10JPVT-24A1YT0 5400PRM 9.5mm 1T HDD(Y580)	16200071	N
21	Hard disk drive,1TB 5400rpm, Seagate M8 9.5 5400 1T(Y580)	16200208	N
21	Hard disk drive,1TB 5400rpm, HTS541010A9E680 9.5 5.4K 1T HDD(Y580)	16200193	**
21	Hard disk drive,500G 7200rpm, WD WD5000BPKT 7200RPM 500G HDD(Y580)	16200004	**
21	Hard disk drive,500G 7200rpm, TSB MK5061GSY 7200PRM 9.5mm 500G HDD(Y580)	16200086	N
21	Hard disk drive,500G 7200rpm, HTS725050A7E630 7 7.2K 500G HDD(Y580)	16200195	N
21	Hard disk drive,500G 7200rpm, Seagate ST9500423AS 7200RPM 500G HDD(Y580)	16200020	N
22	QIWIY3 Thermal Door Y480	90200362	N
22	QIWIY4 Thermal Door (Y580)	90200834	N
23	ODD, 12.7mm Rambo Tray, PLDS DS-8A8SH Tray in Rambo (Y480)	25201487	*
23	ODD, 12.7mm Rambo Tray, TSST SN-208AB Tray in Rambo (Y480)	25201108	*
23	ODD, 12.7mm Rambo Tray, Panasonic (QSI) UJ8C1 Tray in Rambo (Y480)	25201499	*
23	ODD, 12.7mm Rambo Tray, HLDS GT50N Tray in Rambo (Y480)	25201635	*
23	ODD, 12.7mm BD Combo, HLDS CT40N Tray in BD Combo ODD (Y480)	25201493	**
23	ODD, 12.7mm BD Combo, Sony Optiarc, Optiarc BC-5550H Tray in BD Combo ODD (Y480)	25204159	**
23	ODD, 12.7mm BD Rambo, Panasonic, UJ260 (Y480)	25201633	**
23	ODD, 12.7mm BD Rambo, Sony Optiarc, BD-5750H (Y480)	25201494	*
23	ODD, 12.7mm BD Rambo, HLDS, BT20N (Y480)	25201634	*
23	ODD, 12.7mm Rambo, PLDS, DS-8A8SH (Y580)	25201487	*
23	ODD, 12.7mm Rambo, TSST, SN-208AB (Y580)	25201108	*
23	ODD, 12.7mm Rambo, Panasonic (QSI), UJ8C1 (Y580)	25201499	**
23	ODD, 12.7mm Rambo, HLDS, GT50N (Y580)	25201635	**
23	ODD, 12.7mm BD Combo, HLDS, HLDS CT40N Tray in BD Combo ODD (Y580)	25201493	**
23	ODD, 12.7mm BD Combo, Sony Optiarc, Optiarc BC-5550H Tray in BD Combo ODD (Y580)	25204159	*
23	ODD, 12.7mm BD Rambo, Panasonic, UJ260 (Y580)	25201633	**
23	ODD, 12.7mm BD Rambo, Sony Optiarc, BD-5750H (Y580)	25201494	**
23	ODD, 12.7mm BD Rambo, HLDS, BT20N (Y580)	25201634	**
24	QIWIY3 ODD Bezel Rambo Y480	90200365	N
24	QIWIY3 ODD Bezel BD Y480	90200364	N
24	QIWIY4 ODD Bezel BD (Y580)	90200836	N
24	QIWIY4 ODD Bezel Rambo (Y580)	90200837	N

LCD FRUs

In Lenovo Y480/Y580, there are following types of LCDs.

- "14.0-in. HD TFT" Y480
- "15.6-in. HD TFT" Y580



14.0-in. HD TFT (Y480)

Table 6. Parts list—14.0-in. HD TFT

No.	FRU	FRU no.	CRU ID
1	QIWIY3 LCD Bezel W/Camera Y480	90200412	N
2	QIWIY3 LCD Screw Mylar Y480	90200361	N
3	Panel, 14.0W Glare, AUO B140XW03 V0 (Y480)	18003943	N
3	Panel, 14.0W Glare, AUO B140XTN03 V0 4A HD G LED1 NB LCD (Y480)	18200383	N
3	Panel, 14.0W Glare, LGD LP140WH2-TLE2 (Y480)	18200152	N
3	Panel, 14.0W Glare, SEC LTN140AT20-L01 (Y480)	18004803	N
3	Panel, 14.0W Glare, CMI N140BGE-L42 (Y480)	18200153	N
4	QIWIY3 Camera Board Y480	90200385	N
5	QIWIY3 LCD CABLE W/Camera Cable Y480	90200378	N
6	QIWIY3 LCD Cover W/Logo AL Y480	90200379	N
7	Hinge Antenna, 2.3/2.7GHz Lianhong, Acon Lianhong Y480 2.3/2.7 Hinge ANT Left (Y480)	20200115	N
7	Hinge Antenna, 2.3/2.7GHz Jarlly, Acon Jarlly Y480 2.3/2.7 Hinge ANT Left (Y480)	20200117	N
7	Hinge Antenna, 2.3/2.7GHz Chengjun, Acon Chengjun Y480 2.3/2.7 Hinge ANT Left (Y480)	20200119	N
8	Hinge Antenna, 2.3/2.7GHz Lianhong, Acon Lianhong Y480 2.3/2.7 Hinge ANT Right (Y480)	20200116	N
8	Hinge Antenna, 2.3/2.7GHz Jarlly, Acon Jarlly Y480 2.3/2.7 Hinge ANT Right (Y480)	20200118	N
8	Hinge Antenna, 2.3/2.7GHz Chengjun, Acon Chengjun Y480 2.3/2.7 Hinge ANT Right (Y480)	20200120	N

14.0-in. HD TFT (Y580)

Table 6. Parts list—14.0-in. HD TFT

No.	FRU	FRU no.	CRU ID
1	QIWY4 LCD Bezel W/Camera (Y580)	90200846	N
2	QIWY3 LCD Screw Mylar(Y580)	90200361	N
3	Panel, 15.6W Wedge, AUO, B156XTN02.0 (Y580)	18200157	N
3	Panel, 15.6W Wedge, SEC, SEC LTN156AT24-L01 HD G W LED1 NB LCD (Y580)	18200114	N
3	Panel, 15.6W Wedge, LGD, LP156WH4-TLN1 (Y580)	18200158	N
3	Panel, 15.6W Wedge, CMI, N156BGE-L21 (Y580)	18004787	N
3	Panel, 15.6Full HD, LGD, LGD LP156WF1-TLC1 FHD G W LED1 NB LCD (Y580)	18200442	N
3	Panel, 15.6Full HD, LGD, LGD LP156WF1-TLB2 FHD AG W LED1 NB LCD (Y580)	18200453	N
5	QIWY4 LCD Cable For Single (Y580)	90200853	N
5	QIWY4 LCD Cable For Dual (Y580)	90200854	N
6	QIWY4 LCD Cover W/Logo AL (Y580)	90200848	N
7	Hinge Antenna 2.3/2.7GHz Lianhong, Acon Lianhong Y580 2.3/2.7 Hinge ANT Left	20200121	N
7	Hinge Antenna 2.3/2.7GHz Jarlly, Acon Jarlly Y580 2.3/2.7 Hinge ANT Left	20200123	N
7	Hinge Antenna 2.3/2.7GHz Chengjun, Acon Chengjun Y580 2.3/2.7 Hinge ANT Left	20200125	N
8	Hinge Antenna 2.3/2.7GHz Lianhong, Acon Lianhong Y580 2.3/2.7 Hinge ANT Right	20200122	N
8	Hinge Antenna 2.3/2.7GHz Jarlly, Acon Jarlly Y580 2.3/2.7 Hinge ANT Right	20200124	N
8	Hinge Antenna 2.3/2.7GHz Chengjun, Acon Chengjun Y580 2.3/2.7 Hinge ANT Right	20200126	N

Keyboard

Table 8. Parts list—Keyboard

Language		P/N	CRU ID	
Y480	Chicony (Black)	English	25203154	**
		U.K. English	25203155	**
		Italian	25203156	**
		Spanish	25203157	**
		Turkish	25203158	**
		Thai	25203159	**
		Portuguese	25203160	**
		Latin	25203161	**
		Canadian English&French	25203162	**
		Korean	25203163	**
		Traditional Chinese	25203164	**
		Russian	25203165	**
		French	25203166	**
		German	25203167	**
		Arabic	25203168	**
		Brazilian	25203169	**
		Japanese	25203170	**
		Dutch	25203171	**
		Greek	25203172	**
		Hebrew	25203173	**
	Hungarian	25203174	**	
	Four Nordic countries	25203175	**	
	Belgian	25203176	**	
	Icelandic	25203177	**	
	Slovenian	25203178	**	
	Swiss	25203179	**	
	International English	25203180	**	
	Czechoslovakian	25203181	**	
	Bulgarian	25203182	**	
	Indian	25203183	**	
	Chicony (Backlight)	English	25202942	**
		U.K. English	25202943	**
		Italian	25202944	**
		Spanish	25202945	**
Turkish		25202946	**	
Thai		25202947	**	
Portuguese		25202948	**	
Latin		25202949	**	
Canadian English&French		25202950	**	
Korean		25202951	**	
Traditional Chinese		25202952	**	
Russian		25202953	**	
French		25202954	**	
German		25202955	**	
Arabic	25202956	**		
Brazilian	25202957	**		
Dutch	25202959	**		

Table 8. Parts list—Keyboard

Language		P/N	CRU ID	
Y480	Chiccony (Backlight) (continued)	Greek	25202960	**
		Hebrew	25202961	**
		Hungarian	25202962	**
		Four Nordic countries	25202963	**
		Belgian	25202964	**
		Icelandic	25202965	**
		Slovenian	25202966	**
		Swiss	25202967	**
		International English	25202968	**
		Czechoslovakian	25202969	**
		Bulgarian	25202970	**
		Indian	25202971	**
	Sunrex (Black)	English	25203184	**
		U.K. English	25203185	**
		Italian	25203186	**
		Spanish	25203187	**
		Turkish	25203188	**
		Thai	25203189	**
		Portuguese	25203190	**
		Latin	25203191	**
		Canadian English&French	25203192	**
		Korean	25203193	**
		Traditional Chinese	25203194	**
		Russian	25203195	**
		French	25203196	**
		German	25203197	**
		Arabic	25203198	**
		Brazilian	25203199	**
		Dutch	25203201	**
		Greek	25203202	**
		Hebrew	25203203	**
		Hungarian	25203204	**
		Four Nordic countries	25203205	**
Belgian	25203206	**		
Icelandic	25203207	**		
Slovenian	25203208	**		
Swiss	25203209	**		
International English	25203210	**		
Czechoslovakian	25203211	**		
Bulgarian	25203212	**		
Indian	25203213	**		

Table 8. Parts list—Keyboard

Language		P/N	CRU ID	
Y480	Sunrex (Backlight)	English	25202972	**
		U.K. English	25202973	**
		Italian	25202974	**
		Spanish	25202975	**
		Turkish	25202976	**
		Thai	25202977	**
		Portuguese	25202978	**
		Latin	25202979	**
		Canadian English&French	25202980	**
		Korean	25202981	**
		Traditional Chinese	25202982	**
		Russian	25202983	**
		French	25202984	**
		German	25202985	**
		Arabic	25202986	**
		Brazilian	25202987	**
		Dutch	25202989	**
		Greek	25202990	**
		Hebrew	25202991	**
		Hungarian	25202992	**
		Four Nordic countries	25202993	**
		Belgian	25202994	**
		Icelandic	25202995	**
		Slovenian	25202996	**
	Swiss	25202997	**	
	International English	25202998	**	
	Czechoslovakian	25202999	**	
	Bulgarian	25203000	**	
	Indian	25203001	**	
	Darfon (Back)	English	25203214	**
		U.K. English	25203215	**
		Italian	25203216	**
		Spanish	25203217	**
		Turkish	25203218	**
Thai		25203219	**	
Portuguese		25203220	**	
Latin		25203221	**	
Canadian English&French		25203222	**	
Korean		25203223	**	
Traditional Chinese		25203224	**	
Russian		25203225	**	
French		25203226	**	
German		25203227	**	
Arabic		25203228	**	
Brazilian		25203229	**	
Dutch	25203231	**		

Table 8. Parts list—Keyboard

Language		P/N	CRU ID		
Y480	Darfon (Back) (continued)	Greek	25203232	**	
		Hebrew	25203233	**	
		Hungarian	25203234	**	
		Four Nordic countries	25203235	**	
		Belgian	25203236	**	
		Icelandic	25203237	**	
		Slovenian	25203238	**	
		Swiss	25203239	**	
		International English	25203240	**	
		Czechoslovakian	25203241	**	
		Bulgarian	25203242	**	
		Indian	25203243	**	
		Darfon (Blacklight)	English	25203002	**
			U.K. English	25203003	**
	Italian		25203004	**	
	Spanish		25203005	**	
	Turkish		25203006	**	
	Thai		25203007	**	
	Portuguese		25203008	**	
	Latin		25203009	**	
	Canadian English&French		25203010	**	
	Korean		25203011	**	
	Traditional Chinese		25203012	**	
	Russian		25203013	**	
	French		25203014	**	
	German		25203015	**	
	Arabic		25203016	**	
	Brazilian		25203017	**	
	Japanese		25203018	**	
	Dutch		25203019	**	
	Greek		25203020	**	
	Hebrew		25203021	**	
	Hungarian		25203022	**	
	Four Nordic countries		25203023	**	
	Belgian		25203024	**	
	Icelandic		25203025	**	
	Slovenian		25203026	**	
	Swiss		25203027	**	
	International English		25203028	**	
	Czechoslovakian		25203029	**	
	Bulgarian	25203030	**		
	Indian	25203031	**		

Table 8. Parts list—Keyboard

Language		P/N	CRU ID	
Y580	Chicony	English	25203062	**
		U.K. English	25203063	**
		Italian	25203064	**
		Spanish	25203065	**
		Turkish	25203066	**
		Thai	25203067	**
		Portuguese	25203068	**
		Latin	25203069	**
		Canadian English&French	25203070	**
		Korean	25203071	**
		Traditional Chinese	25203072	**
		Russian	25203073	**
		French	25203074	**
		German	25203075	**
		Arabic	25203076	**
		Brazilian	25203077	**
		Dutch	25203079	**
		Greek	25203080	**
		Hebrew	25203081	**
		Hungarian	25203082	**
		Four Nordic countries	25203083	**
		Belgian	25203084	**
		Icelandic	25203085	**
		Slovenian	25203086	**
	Swiss	25203087	**	
	International English	25203088	**	
	Czechoslovakian	25203089	**	
	Bulgarian	25203090	**	
	Indian	25203091	**	
	Darfon	English	25203122	**
		U.K. English	25203123	**
		Italian	25203124	**
		Spanish	25203125	**
		Turkish	25203126	**
Thai		25203127	**	
Portuguese		25203128	**	
Latin		25203129	**	
Canadian English&French		25203130	**	
Korean		25203131	**	
Traditional Chinese		25203132	**	
Russian		25203133	**	
French		25203134	**	
German		25203135	**	
Arabic		25203136	**	
Brazilian		25203137	**	
Japanese	25203138	**		
Dutch	25203139	**		

Table 8. Parts list—Keyboard

Language		P/N	CRU ID	
Y580	Darfon (continued)	Greek	25203140	**
		Hebrew	25203141	**
		Hungarian	25203142	**
		Four Nordic countries	25203143	**
		Belgian	25203144	**
		Icelandic	25203145	**
		Slovenian	25203146	**
		Swiss	25203147	**
		International English	25203148	**
		Czechoslovakian	25203149	**
		Bulgarian	25203150	**
		Indian	25203151	**
		OKI	English	25203434
	U.K. English		25203435	**
	Italian		25203436	**
	Spanish		25203437	**
	Turkish		25203438	**
	Thai		25203439	**
	Portuguese		25203440	**
	Latin		25203441	**
	Canadian English&French		25203442	**
	Korean		25203443	**
	Traditional Chinese		25203444	**
	Russian		25203445	**
	French		25203446	**
	German		25203447	**
	Arabic		25203448	**
	Brazilian		25203449	**
	Dutch		25203451	**
	Greek		25203452	**
	Hebrew		25203453	**
	Hungarian		25203454	**
	Four Nordic countries		25203455	**
	Belgian	25203456	**	
Icelandic	25203457	**		
Slovenian	25203458	**		
Swiss	25203459	**		
International English	25203460	**		
Czechoslovakian	25203461	**		
Bulgarian	25203462	**		
Indian	25203463	**		

Miscellaneous parts

Table 9. Parts list—Miscellaneous parts

FRU	P/N	CRU ID
System miscellaneous parts:		N
<ul style="list-style-type: none"> • (a) QIWIY3 HDD Bracket Y480 • (a) QIWIY4 HDD Bracket (Y580) • (b) QIWIY3 ODD BRACKET Y480 • (b) QIWIY4 ODD BRACKET (Y580) 	90200363 90200835 90200366 90200838	
Cable miscellaneous parts:		N
<ul style="list-style-type: none"> • (c) QIWIY4 TV Cable (Y580) • (d) QIWIY3 USB 2.0 CABLE(MB) (Y480) • (d) QIWIY4 USB 2.0 Cable(MB)(Y580) • (e) QIWIY3 DC-IN Cable Y480 • (e) QIWIY4 DC-IN Cable (Y580) • (f) QIWIY3 TP Cable Y480 • (f) QIWIY4 TP Cable (Y580) • (g) QIWIY3 USB 3.0 CABLE(MB) (Y480) • (g) QIWIY4 USB 3.0 Cable (MB) (Y580) • (h) QIWIY4 BT Cable (Y580) • (i) QIWIY3 Upper Case Sponge Y480 • (i) QIWIY4 Lower Case Sponge (Y580) <p>Note: Italicized letters in parentheses are references to the exploded view in “Overall” on page 71.</p>	90200856 90200376 90200844 90200375 90200845 90200369 90200840 90200377 90200847 90200855 90200384 90200842	

AC adapters

Table 10. Parts list—3-pin AC adapters

FRU	P/N	CRU ID
90W, Delta ADP-90DD BD 20V4.5A adapter	36001941	N
90W, Liteon PA-1900-56LC 20V4.5A adapter (330PF)	36001927	N
90W, Chicony CPA-A090 20V4.5A adapter (330PF)	36001942	N
120W, Liteon PA-1121-16 19.5V6.15A adapter	36002079	N
120W, Delta ADP-120LH BA 19.5V6.15A adapter	36002031	N

Power cords

A Lenovo power cord for a specific country or region is usually available only in that country or region:

Table 11. Parts list—3-pin power cords

Region	P/N	CRU ID
CCC • SSD YD-118-1+IEC53RVV+SSD-3-2B-1 1m	145000602	*
CCC • LINETEK PC323+RVV300/300+LS15 1m	145000600	*
Argentina • LINETEK LS15+H03VV-F+LP39 1m	145000599	*
Danmark • LINETEK LS15+H03VV-F+LP-38 1m	145000598	*
Switzerland • LINETEK LS15+H03VV-F+LP-37 1m	145000597	*
Brazil • LINETEK LS15 H03VV-F LP26A 1m	145000596	*
Israel • LINETEK LS15+H03VV-F+LP-41 1m	145000595	*
UL • LINETEK LP-30B + SPT-2 + LS15 1m	145000594	*
UK • LINETEK LP-61L+ H03VV-F+ LS15 1m	145000593	*
Indian • LINETEK PE-361+ H05VV-F+ LS15 1m	145000592	*
Italy • LINETEK LS15+H03VV-F+PE-336 1m	145000591	*
Korea • LINETEK LS15+H05VV-F+LP-E04A 1m	145000590	*
Australia • LINETEK LS15+H03VV-F+LP-23A 1m	145000589	*
Taiwan • LINETEK LS15+VCTF+LP-53 1m	145000588	*
Japan • LINETEK LS15+VCTF+LP-54 1m	145000587	*
Africa • LINETEK LS15+H03VV-F+PE-364 1m	145000586	*
CE • LINETEK LP-34+H03VV-F + LS15 1m	145000585	*
CCC • Longwell LSG-31+RVV300/300+LS-18 1m	145000568	*
Argentina • Longwell LP-24+H03VV-F+LS-18 1m	145000567	*
Danmark • Longwell LP-40+H03VV-F+LS-18 1m	145000566	*
Switzerland • Longwell LP-37+H03VV-F+LS-18 1m	145000565	*

Table 11. Parts list—3-pin power cords (continued)

Region	P/N	CRU ID
Brazil • Longwell LP-46+H03VV-F+LS-18 1m	145000564	*
Israel • Longwell LP-41+H03VV-F+LS-18 1m	145000563	*
UL • Longwell LP-30B+SPT-2 18AWG+LS-18 1m	145000562	*
UK • Longwell LP-61L+H03VV-F+LS-18 1m	145000561	*
Indian • Longwell LP-67+BIS+LS-18 1m	145000560	*
Italy • Longwell LP-22+H03VV-F+LS-18 1m	145000559	*
Korea • Longwell LP-486+KTLH03VV-F+LS-5 1m	145000558	*
Australia • Longwell LP-23A+LFC-3R+LS-18 1m	145000557	*
Taiwan • Longwell LP-71+VCTF+LS-33 1m	145000556	*
Japan • Longwell LP-54+VCTF+LS-18 1m	145000555	*
Africa • Longwell LP-39+H03VV-F+LS-18 1m	145000554	*
CE • Longwell LP-34A+H03VV-F+LS-18 1m	145000553	*
CCC • VOLEX GB10S3+RVV 300/500+VAC5S 1m	145000538	*
Argentina • VOLEX VA2073+H03VV-F+VAC5S 1m	145000528	*
Denmark • VOLEX MP233D+H03VV-F+VAC5S 1m	145000534	*
Switzerland • VOLEX MP232+H03VV-F+VAC5S 1m	145000524	*
Brazil • VOLEX CH10S3+H03VV-F+VAC5S 1m	145000527	*
Israel • VOLEX SI16S3+H03VV-F+VAC5S 1m	145000526	*
UL • Volex US15S3+SPT-2 +VAC5S 1m	145000537	*
UK • VOLEX MP5004+H03VV-F+VAC5S 1m	145000605	*
Indian • VOLEX IA6A3+IS694+VAC5S 1m	145000536	*
Italy • VOLEX IT10S3+H03VV-F+VAC5S 1m	145000535	*

Table 11. Parts list—3-pin power cords (continued)

Region	P/N	CRU ID
Korea • VOLEX M2511+KETI IEC+VAC5S 1m	145000533	*
Australia • VOLEX AU10S3+H03VV-F+VAC5S 1m	145000532	*
Taiwan • VOLEX TW15CS3+VCTF+VAC5S 1m	145000531	*
Japan • VOLEX VAC5S+VCTF+M755 1m	145000530	*
CE • VOLEX M2511+HO3VV-F+VAC5S 1m	145000525	*

Notices

Lenovo may not offer the products, services, or features discussed in this document in all countries. Consult your local Lenovo representative for information on the products and services currently available in your area. Any reference to a Lenovo product, program, or service is not intended to state or imply that only that Lenovo product, program, or service may be used. Any functionally equivalent product, program, or service that does not infringe any Lenovo intellectual property right may be used instead. However, it is the user's responsibility to evaluate and verify the operation of any other product, program, or service.

Lenovo may have patents or pending patent applications covering subject matter described in this document. The furnishing of this document does not give you any license to these patents.

LENOVO GROUP LTD. PROVIDES THIS PUBLICATION "AS IS" WITHOUT WARRANTY OF ANY KIND, EITHER EXPRESS OR IMPLIED, INCLUDING, BUT NOT LIMITED TO, THE IMPLIED WARRANTIES OF NON-INFRINGEMENT, MERCHANTABILITY OR FITNESS FOR A PARTICULAR PURPOSE. Some jurisdictions do not allow disclaimer of express or implied warranties in certain transactions, therefore, this statement may not apply to you.

This information could include technical inaccuracies or typographical errors. Changes are periodically made to the information herein; these changes will be incorporated in new editions of the publication. Lenovo may make improvements and/or changes in the product(s) and/or the program(s) described in this publication at any time without notice.

The products described in this document are not intended for use in implantation or other life support applications where malfunction may result in injury or death to persons. The information contained in this document does not affect or change Lenovo product specifications or warranties. Nothing in this document shall operate as an express or implied license or indemnity under the intellectual property rights of Lenovo or third parties. All information contained in this document was obtained in specific environments and is presented as an illustration. The result obtained in other operating environments may vary.

Lenovo may use or distribute any of the information you supply in any way it believes appropriate without incurring any obligation to you.

Any references in this publication to non-Lenovo Web sites are provided for convenience only and do not in any manner serve as an endorsement of those Web sites. The materials at those Web sites are not part of the materials for this Lenovo product, and use of those Web sites is at your own risk.

Any performance data contained herein was determined in a controlled environment. Therefore, the result obtained in other operating environments may vary significantly. Some measurements may have been made on development-level systems and there is no guarantee that these measurements will be the same on generally available systems. Furthermore, some measurements may have been estimated through extrapolation. Actual results may vary. Users of this document should verify the applicable data for their specific environment.

Trademarks

The following terms are either registered trademarks or trademarks of Lenovo in the United States and/or other countries:

Lenovo®

Lenovo logo®

IdeaPad®

VeriFace®

OneKey Rescue® (OneKey Recovery, OneKey Antivirus)

APS®

Power Express®

Energy Management and ReadyComm®

The following terms are trademarks of Microsoft Corporation in the United States, other countries, or both:

Windows®

Windows® 7

The following are trademarks of Intel Corporation or its subsidiaries in the United States, other countries, or both:

Intel®

Intel® Core™ 2 Duo

Other company, product, or service names may be the trademarks or service marks of others.