

Unpack

- Computer
- Battery pack
- AC adapter
- Power cord*
- Optical disk(s)
(on select models)
- Manuals
 - Setup Poster
 - Safety and General Information Guide
 - Other publications

* Power cords varies by country/region.

- ① Some models may contain items that are not listed.
- ② If any item is missing or damaged, please contact your retailer.
- ③ The illustrations used in this manual are for Lenovo G560e unless otherwise stated.

Finding information

To find detailed information about your computer, refer to the following documentation:

User Guide - User Guide provides operating instructions and troubleshooting information for your computer. User Guide is preloaded electronically as a PDF file on your computer and can be accessed by clicking the User Guide icon on the desktop.

Safety and General Information Guide - The Safety and General Information Guide provides safety precautions, use & care information for your computer.

Flyers - The flyers that came with your computer provide warranty, certification, and specification information for your computer.

The above documentation is also available online at <http://consumersupport.lenovo.com/>.

Lenovo, the Lenovo logo and OneKey are trademarks of Lenovo in the United States, other countries, or both. Other company, product, or service names may be trademarks or service marks of others.

© Copyright Lenovo 2010.



P/N:148002961
Printed in China

lenovo

Lenovo G460e/ G560e

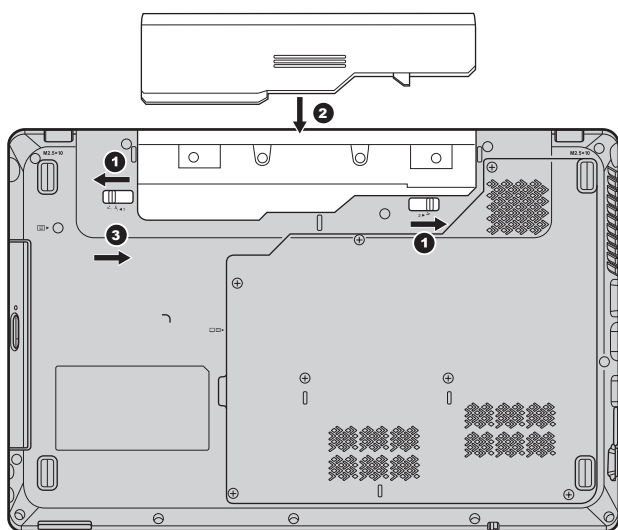
Setup Poster v1.0



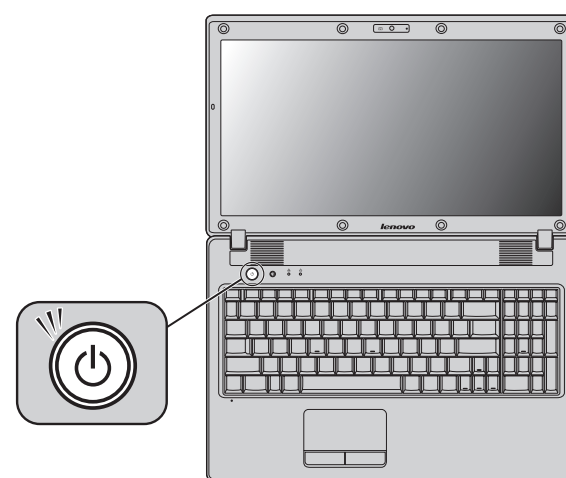
Read the safety notices and important tips in the included manuals before using your computer.

Initial setup instructions

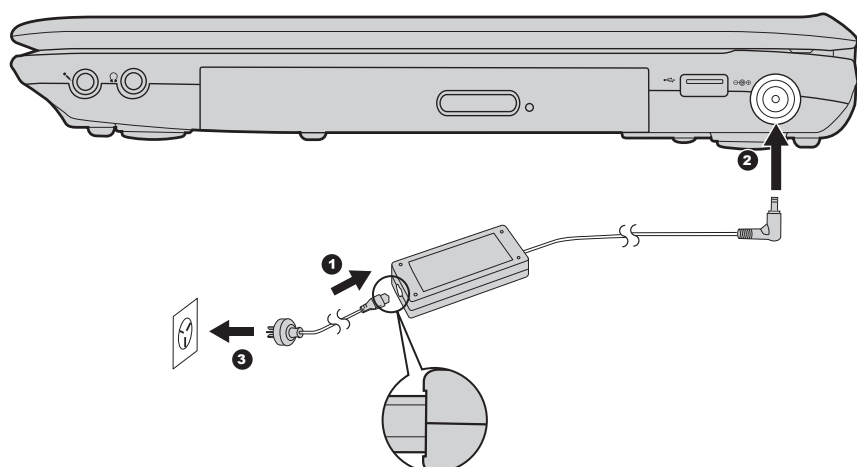
1 Install the battery pack



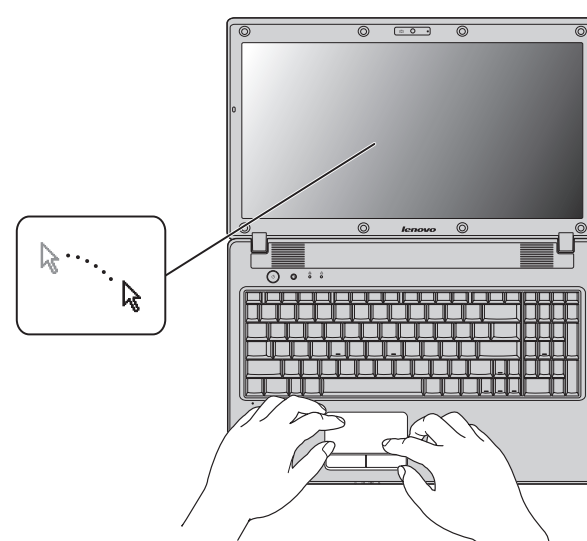
3 Press the power button



2 Connect to the power



4 Configure the operating system following the on-screen instructions





ⓘ **Attention:**
Connect the power cord to the AC adapter firmly, poor connections may result in damages to the AC adapter.

Buttons and functions

1 Integrated camera (on select models)

The integrated camera offers an improved notebook experience for video-centric applications.

2 Power button / OneKey Rescue system button*

-  Start the computer.
-  If the operating system cannot be loaded, while the computer is powered off, press this button to enter the Lenovo OneKey Rescue system and recover the system to the factory state, or a previously-generated restoration point.

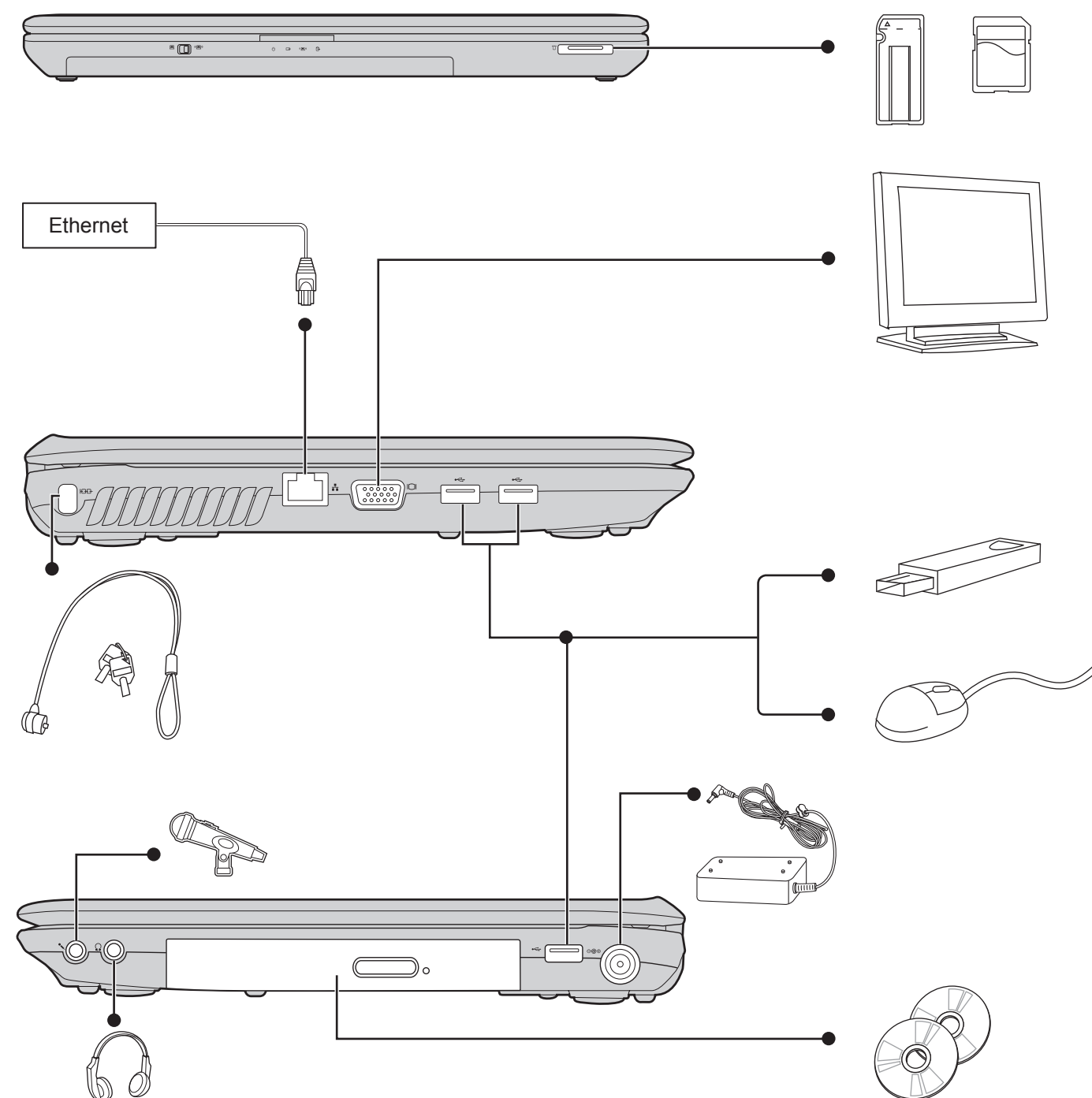
3 Wireless radio switch (on select models)

-  Use this switch to enable/disable the wireless radio of all the wireless devices on your computer.

* If OneKey Rescue system is installed.



External devices connection



Notes:

- The above connection illustration is only for reference. You are responsible for evaluating the quality and compatibility when purchasing external devices. Function of all external devices is not guaranteed. Follow the instructions shipped with the devices when connecting them to your computer.
- The illustrations in this manual may differ from the actual product. Please refer to the actual product.

Attention:

Differing in backlight, the LCD on marketing can be divided into CCFL (Cold Cathode Fluorescent Lamp) LCD and LED (Light Emitting Diode) LCD. LED backlight technology adopts LED as the light source and is mercury-free and more energysaving than CCFL backlight technology.

