

ThinkStation P300 SFF - Overview



Front

- 2 USB 3.0
- 1 Headphone
- 1 Microphone
- 9-in-1 card reader or 29-in-1 card reader (optional)

Rear *(Discrete graphics adapter is optional and available on selected models)*

- Rear I/O: 2 USB 2.0
4 USB 3.0(blue)
1 serial (9-pin)
1 RJ-45 (GbE)
1 line-in
1 line-out
1 microphone-in
2 DisplayPort (for Intel HD Graphics)
1 VGA (for Intel HD Graphics)
- 1 PCIe 3.0 x16
1 PCIe 2.0 x1
1 PCIe 2.0 x16 (x4 elec)
1 PCI
- 240 watts Power Supply, 80 PLUS Bronze

Internal

- One LGA1150 socket, supports one processor from Intel Xeon E3-1200 v3, Core i7, Core-i5, Core i3, Pentium, and Celeron families
- 4 DIMM sockets, supports up to 32GB ECC or non-ECC UDIMM memory
- Up to three disk drive bays (2 x 3.5" + 1 x 2.5"), one 3.5" disk drive bay is standard

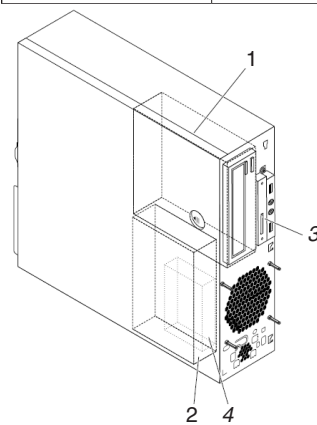
Mechanical

- 13.31"W x 15.53"D x 4.02"H
- 338mm W x 394.5mm D x 102mm H
- 17.2 lb (7.8kg) max configuration
- 12.9-liter

ThinkStation P300 SFF TopSeller Models - 30AK (May 2014)

Type-model	Processor (Core/GHz/Cache/Memory speed/ optional Intel HD Graphics)	Memory	Discrete graphics adapters	Pre- conf RAID	Internal Storage	Optical	Media reader	1394 adptr	Discrete Ethernet	eSATA (front or rear)	Chassis intrusion switch	Preloaded OS	Base on-site warranty (-year)	Power supply	Global	Floor Stand
30AK000KUS	Core i3-4350 2C/3.6GHz/4MB/1600MHz/Intel HD 4600	1 x 4GB 1600MHz non-ECC	Open	No	1x500GB 3.5" SATA 7.2K	DVD±RW	9-in-1	No	No	No	Switch	Win7 Pro64 (Win8.1 DG)	3	240W	No	No
30AK000LUS	Core i5-4590 4C/3.3GHz/6MB/1600MHz/Intel HD 4600	1 x 4GB 1600MHz non-ECC	Open	No	1x500GB 3.5" SATA 7.2K	DVD±RW	9-in-1	No	No	No	Switch	Win7 Pro64 (Win8.1 DG)	3	240W	No	No
30AK000MUS	Core i5-4690 4C/3.5GHz/6MB/1600MHz/Intel HD 4600	1 x 8GB 1600MHz non-ECC	Open	No	1x1TB 3.5" SATA 7.2K	DVD±RW	9-in-1	No	No	No	Switch	Win7 Pro64 (Win8.1 DG)	3	240W	No	No
30AK000NUS	Core i7-4790 4C/3.6GHz/8MB/1600MHz/Intel HD 4600	1 x 8GB 1600MHz non-ECC	Quadro K600 1GB	No	1x1TB 3.5" SATA 7.2K	DVD±RW	9-in-1	No	No	No	Switch	Win7 Pro64 (Win8.1 DG)	3	240W	No	No
30AK000PUS	Core i7-4790 4C/3.6GHz/8MB/1600MHz/Intel HD 4600	1 x 8GB 1600MHz non-ECC	Open	No	1x180GB SSD	DVD±RW	9-in-1	No	No	No	Switch	Win7 Pro64 (Win8.1 DG)	3	240W	No	No
30AK000QUS	Xeon E3-1226 v3 4C/3.3GHz/8MB/1600MHz/Intel HD P4600	1 x 4GB 1600MHz non-ECC	Open	No	1x1TB 3.5" SATA 7.2K	DVD±RW	9-in-1	No	No	No	Switch	Win7 Pro64 (Win8.1 DG)	3	240W	No	No
30AK000RUS	Xeon E3-1246 v3 4C/3.5GHz/8MB/1600MHz/Intel HD P4600	1 x 8GB 1600MHz non-ECC	Quadro K600 1GB	No	1x180GB SSD	DVD±RW	9-in-1	No	No	No	Switch	Win7 Pro64 (Win8.1 DG)	3	240W	No	No

Components	Specification	Components	Specification
Chipset	Intel C226 Chipset	Mechanical	<ul style="list-style-type: none"> Raven black color; metal case 13.31"W x 15.53"D x 4.02"H 338mm W x 394.5mm D x 102mm H 17.2 lb (7.8kg) max configuration 12.9-liter
Intel AMT	Intel Active Management Technology 9.5 supported on Xeon models	Environmental certifications	GREENGUARD certified/RoHS-compliant/EPEAT Gold rating/ENERGY STAR 6.0 qualified
Processor	One LGA1150 socket, supports one processor from the following: <ul style="list-style-type: none"> Xeon E3-12x1 v3: up to 4C/3.7GHz/1600MHz/8MB Xeon E3-12x6 v3: up to 4C/3.6GHz/1600MHz/8MB/Intel HD Graphics P4600 Xeon E3-12x0 v3: up to 4C/3.6GHz/1600MHz/8MB Xeon E3-12x5 v3: up to 4C/3.5GHz/1600MHz/8MB/Intel HD Graphics P4600 Core i7: up to 4C/3.6GHz/1600MHz/8MB/Intel HD Graphics 4600 Core i5: up to 4C/3.5GHz/1600MHz/8MB/Intel HD Graphics 4600 Core i3: up to 2C/3.7GHz/1600MHz/4MB/Intel HD Graphics 4600 Pentium: up to 2C/3.4GHz/1600MHz/3MB/Intel HD Graphics Celeron: up to 2C/2.9GHz/1333MHz/2MB/Intel HD Graphics 	ISV certifications	For the latest list of certifications, please visit www.lenovo.com/support/ISV
Memory DIMM slots	Four DDR3 DIMM slots, 2-channel (integrated memory controller in processor)		
Memory type	1600MHz DDR3, UDIMM, ECC or non-ECC (ECC and non-ECC DIMMs cannot be mixed on the same system)		
Memory capacity	Up to 32GB		
Intel HD Graphics in processor	Integrated Intel HD Graphics on selected processors, uses main memory, works along with discrete graphics to support multi-display, enables three display connectors (2 DisplayPort, 1 VGA) on rear		
Discrete graphics	Two PCI Express x16 slots for graphics adapters (see Expansion section), up to two Quadro K600		
Onboard drive controller	Four onboard SATA 6.0Gb/s connectors for optical and disk drives, one SATA connector for optional eSATA, RAID 0, 1 support		
Standard drive Bays	One external 5.25" bays, one internal 3.5" bays (see right)		
Maximum internal storage	Up to 4TB (4TB 3.5" x 1) with standard disk bay configuration, up to 9TB (4TB 3.5" x 2 + 1TB 2.5" x1) with optional disk bay configuration		
Onboard Ethernet	One onboard gigabit ethernet, Intel I217LM		
HD Audio	Realtek ALC662 codec		
TPM	Standard, TCG 1.2-compliant		
Power supply	240 watts with variable speed fan, autosensing, 85% PSU, Climate Savers Computing Bronze, 80 PLUS Bronze qualified		
Expansion slots	1: Low Profile, PCIe 3.0 x16 (40W max, near CPU) 2: Low Profile, PCIe 2.0 x1 3: Low Profile, PCIe 2.0 x16 (40W max, x4 elec) 4: Low Profile, PCI 2.3		
Front ports	Two USB 3.0, microphone (3.5mm), headphone (3.5mm)		
Rear ports	1 VGA and 2 DisplayPort (functional only on Intel HD Graphics models), two USB 2.0, four USB 3.0 (blue), one serial (9-pin), one ethernet (RJ-45), three analog audio ports (line-in, line-out, mic-in)		
IEEE 1394 (optional)	1 front, 1 rear, via optional 1394 adapter		



Drive Bays for ThinkStation P300 SFF
 Bay 1: Standard, 5.25", for half-high optical, or flex module*, or optional HDD bay**
 Bay 2: Standard, 3.5" HDD bay
 Bay 3: Optional, for 9-in-1 single slot reader or mSATA drive
 Bay 4: Optional, 2.5" HDD bay**

* Flex module supports one or more of the following options:
 9.5mm optical/29-in-1 reader/front IEEE 1394/front eSATA
 ** The bracket of HDD bay is optional and comes with the corresponding drives.

Core Options for ThinkStation P300 SFF

For detailed information on supportable processors, graphics adapters, disk drives, and other optional configurations, please see [ThinkStation P300 Tower and SFF Optional Configurations Sheet](#)

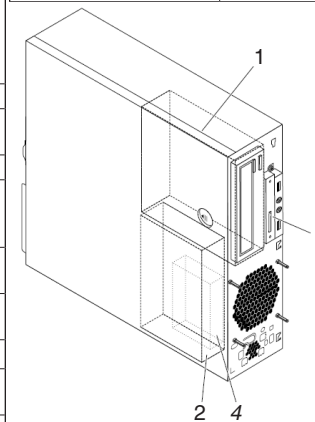
Option	Description
0A65729	4GB DDR3 1600 (PC3 12800) Non-ECC UDIMM Memory
0A65730	8GB DDR3 1600 (PC3 12800) Non-ECC UDIMM Memory
0B47377	4GB DDR3 1600 (PC3 12800) ECC UDIMM Workstation Memory
0B47378	8GB DDR3 1600 (PC3 12800) ECC UDIMM Workstation Memory
4XB0F18667	ThinkStation 2TB 3.5" SATA 6Gbps Hard Drive (7200)
4XB0F18668	ThinkStation 3TB 3.5" SATA 6Gbps Hard Drive (7200)
4XB0F18669	ThinkStation 4TB 3.5" SATA 6Gbps Hard Drive
4XB0F18670	ThinkStation 128GB SATA 2.5" Solid State Drive
4XB0F18671	ThinkStation 256GB SATA 2.5" Solid State Drive
4XB0F22432	ThinkStation 256GB SATA 2.5" Solid State Drive - OPAL
0B47394	NVIDIA Quadro K600 1GB Graphics Card by Lenovo

ThinkStation P300 SFF TopSeller Models - 30AK (May 2014) - II

Type-model	Processor (Core/GHz/Cache/Memory speed/ optional Intel HD Graphics)	Memory	Discrete graphics adapters	Pre- conf RAID	Internal Storage	Optical	Media reader	1394 adptr	Discrete Ethernet	eSATA (front or rear)	Chassis intrusion switch	Preloaded OS	Base on-site warranty (-year)	Power supply	Global	Floor Stand
30AK000SUS	Xeon E3-1241 v3 4C/3.5GHz/8MB/1600MHz/None	1 x 8GB 1600MHz non-ECC	Quadro K600 1GB	No	1x1TB 3.5" SATA 7.2K	DVD±RW	9-in-1	No	No	No	Switch	Win7 Pro64 (Win8.1 DG)	3	240W	No	No
30AK000TUS	Core i3-4350 2C/3.6GHz/4MB/1600MHz/Intel HD 4600	1 x 4GB 1600MHz non-ECC	Open	No	1x500GB 3.5" SATA 7.2K	DVD±RW	9-in-1	No	No	No	Switch	Win8.1 Pro64	3	240W	No	No
30AK000UUS	Core i5-4590 4C/3.3GHz/6MB/1600MHz/Intel HD 4600	1 x 4GB 1600MHz non-ECC	Open	No	1x500GB 3.5" SATA 7.2K	DVD±RW	9-in-1	No	No	No	Switch	Win8.1 Pro64	3	240W	No	No
30AK000VUS	Core i5-4690 4C/3.5GHz/6MB/1600MHz/Intel HD 4600	1 x 8GB 1600MHz non-ECC	Open	No	1x1TB 3.5" SATA 7.2K	DVD±RW	9-in-1	No	No	No	Switch	Win8.1 Pro64	3	240W	No	No
30AK000WUS	Core i7-4790 4C/3.6GHz/8MB/1600MHz/Intel HD 4600	1 x 8GB 1600MHz non-ECC	Open	No	1x1TB 3.5" SATA 7.2K	DVD±RW	9-in-1	No	No	No	Switch	Win8.1 Pro64	3	240W	No	No

Components	Specification
Chipset	Intel C226 Chipset
Intel AMT	Intel Active Management Technology 9.5 supported on Xeon models
Processor	One LGA1150 socket, supports one processor from the following: <ul style="list-style-type: none"> Xeon E3-12x1 v3: up to 4C/3.7GHz/1600MHz/8MB Xeon E3-12x6 v3: up to 4C/3.6GHz/1600MHz/8MB/Intel HD Graphics P4600 Xeon E3-12x0 v3: up to 4C/3.6GHz/1600MHz/8MB Xeon E3-12x5 v3: up to 4C/3.5GHz/1600MHz/8MB/Intel HD Graphics P4600 Core i7: up to 4C/3.6GHz/1600MHz/8MB/Intel HD Graphics 4600 Core i5: up to 4C/3.5GHz/1600MHz/6MB/Intel HD Graphics 4600 Core i3: up to 2C/3.7GHz/1600MHz/4MB/Intel HD Graphics 4600 Pentium: up to 2C/3.4GHz/1600MHz/3MB/Intel HD Graphics Celeron: up to 2C/2.9GHz/1333MHz/2MB/Intel HD Graphics
Memory DIMM slots	Four DDR3 DIMM slots, 2-channel (integrated memory controller in processor)
Memory type	1600MHz DDR3, UDIMM, ECC or non-ECC (ECC and non-ECC DIMMs cannot be mixed on the same system)
Memory capacity	Up to 32GB
Intel HD Graphics in processor	Integrated Intel HD Graphics on selected processors, uses main memory, works along with discrete graphics to support multi-display, enables three display connectors (2 DisplayPort, 1 VGA) on rear
Discrete graphics	Two PCI Express x16 slots for graphics adapters (see Expansion section), up to two Quadro K600
Onboard drive controller	Four onboard SATA 6.0Gb/s connectors for optical and disk drives, one SATA connector for optional eSATA, RAID 0, 1 support
Standard drive Bays	One external 5.25" bays, one internal 3.5" bays (see right)
Maximum internal storage	Up to 4TB (4TB 3.5" x 1) with standard disk bay configuration, up to 9TB (4TB 3.5" x 2 + 1TB 2.5" x1) with optional disk bay configuration
Onboard Ethernet	One onboard gigabit ethernet, Intel I217LM
HD Audio	Realtek ALC662 codec
TPM	Standard, TCG 1.2-compliant
Power supply	240 watts with variable speed fan, autosensing, 85% PSU, Climate Savers Computing Bronze, 80 PLUS Bronze qualified
Expansion slots	1: Low Profile, PCIe 3.0 x16 (40W max, near CPU) 2: Low Profile, PCIe 2.0 x1 3: Low Profile, PCIe 2.0 x16 (40W max, x4 elec) 4: Low Profile, PCI 2.3
Front ports	Two USB 3.0, microphone (3.5mm), headphone (3.5mm)
Rear ports	1 VGA and 2 DisplayPort (functional only on Intel HD Graphics models), two USB 2.0, four USB 3.0 (blue), one serial (9-pin), one ethernet (RJ-45), three analog audio ports (line-in, line-out, mic-in)
IEEE 1394 (optional)	1 front, 1 rear, via optional 1394 adapter

Components	Specification
Mechanical	<ul style="list-style-type: none"> Raven black color; metal case 13.31"W x 15.53"D x 4.02"H 338mm W x 394.5mm D x 102mm H 17.2 lb (7.8kg) max configuration 12.9-liter
Environmental certifications	GREENGUARD certified/RoHS-compliant/EPEAT Gold rating/ENERGY STAR 6.0 qualified
ISV certifications	For the latest list of certifications, please visit www.lenovo.com/support/ISV



Drive Bays for ThinkStation P300 SFF

- Bay 1: Standard, 5.25", for half-high optical, or flex module*, or optional HDD bay**
- Bay 2: Standard, 3.5" HDD bay
- Bay 3: Optional, for 9-in-1 single slot reader or mSATA drive
- Bay 4: Optional, 2.5" HDD bay**

* Flex module supports one or more of the following options:
9.5mm optical/29-in-1 reader/front IEEE 1394/front eSATA

** The bracket of HDD bay is optional and comes with the corresponding drives.

Core Options for ThinkStation P300 SFF

For detailed information on supportable processors, graphics adapters, disk drives, and other optional configurations, please see [ThinkStation P300 Tower and SFF Optional Configurations Sheet](#)

Option	Description
0A65729	4GB DDR3 1600 (PC3 12800) Non-ECC UDIMM Memory
0A65730	8GB DDR3 1600 (PC3 12800) Non-ECC UDIMM Memory
0B47377	4GB DDR3 1600 (PC3 12800) ECC UDIMM Workstation Memory
0B47378	8GB DDR3 1600 (PC3 12800) ECC UDIMM Workstation Memory
4XB0F18667	ThinkStation 2TB 3.5" SATA 6Gbps Hard Drive (7200)
4XB0F18668	ThinkStation 3TB 3.5" SATA 6Gbps Hard Drive (7200)
4XB0F18669	ThinkStation 4TB 3.5" SATA 6Gbps Hard Drive
4XB0F18670	ThinkStation 128GB SATA 2.5" Solid State Drive
4XB0F18671	ThinkStation 256GB SATA 2.5" Solid State Drive
4XB0F22432	ThinkStation 256GB SATA 2.5" Solid State Drive - OPAL
0B47394	NVIDIA Quadro K600 1GB Graphics Card by Lenovo

ThinkStation P300 SFF Relationship Models

Product Specifications Reference (PSREF)

Type-model	Processor (Core/GHz/Cache/Memory speed/ optional Intel HD Graphics)	Memory	Discrete graphics adapters	Pre- conf RAID	Internal Storage	Optical	Media reader	1394 adptr	Discrete Ethernet	eSATA (front or rear)	Chassis intrusion switch	Preloaded OS	Base on-site warranty (-year)	Power supply	Global	Floor Stand
Announced May 2014 - 30AJ																
30AJ0011US	Core i3-4350 2C/3.6GHz/4MB/1600MHz/Intel HD 4600	1 x 4GB 1600MHz non-ECC	Open	No	1x500GB 3.5" SATA 7.2K	DVD±RW	9-in-1	No	No	No	Switch	Win7 Pro64 (Win8.1 DG)	3	240W	No	No
30AJ0012US	Core i5-4590 4C/3.3GHz/6MB/1600MHz/Intel HD 4600	1 x 4GB 1600MHz non-ECC	Quadro K600 1GB	No	1x1TB 3.5" SATA 7.2K	DVD±RW	9-in-1	No	No	No	Switch	Win7 Pro64 (Win8.1 DG)	3	240W	No	No
30AJ0013US	Xeon E3-1246 v3 4C/3.5GHz/8MB/1600MHz/Intel HD P4600	1 x 8GB 1600MHz non-ECC	Open	No	1x1TB 3.5" SATA 7.2K	DVD±RW	9-in-1	No	No	No	Switch	Win7 Pro64 (Win8.1 DG)	3	240W	No	No
30AJ0014US	Xeon E3-1276 v3 4C/3.6GHz/8MB/1600MHz/Intel HD P4600	1 x 8GB 1600MHz non-ECC	Quadro K600 1GB	No	1x1TB 3.5" SATA 7.2K	DVD±RW	9-in-1	No	No	No	Switch	Win7 Pro64 (Win8.1 DG)	3	240W	No	No
30AJ0015US	Core i7-4790 4C/3.6GHz/8MB/1600MHz/Intel HD 4600	1 x 8GB 1600MHz non-ECC	Quadro K600 1GB	No	1x180GB SSD	DVD±RW	9-in-1	No	No	No	Switch	Win7 Pro64 (Win8.1 DG)	3	240W	No	No
30AJ0016US	Core i3-4350 2C/3.6GHz/4MB/1600MHz/Intel HD 4600	1 x 4GB 1600MHz non-ECC	Open	No	1x500GB 3.5" SATA 7.2K	DVD±RW	9-in-1	No	No	No	Switch	Win8.1 Pro64	3	240W	No	No
30AJ0017US	Core i5-4590 4C/3.3GHz/6MB/1600MHz/Intel HD 4600	1 x 4GB 1600MHz non-ECC	Quadro K600 1GB	No	1x1TB 3.5" SATA 7.2K	DVD±RW	9-in-1	No	No	No	Switch	Win8.1 Pro64	3	240W	No	No
30AJ0018US	Xeon E3-1246 v3 4C/3.5GHz/8MB/1600MHz/Intel HD P4600	1 x 8GB 1600MHz non-ECC	Open	No	1x1TB 3.5" SATA 7.2K	DVD±RW	9-in-1	No	No	No	Switch	Win8.1 Pro64	3	240W	No	No
30AJ0019US	Xeon E3-1276 v3 4C/3.6GHz/8MB/1600MHz/Intel HD P4600	1 x 8GB 1600MHz non-ECC	Quadro K600 1GB	No	1x1TB 3.5" SATA 7.2K	DVD±RW	9-in-1	No	No	No	Switch	Win8.1 Pro64	3	240W	No	No
30AJ001ESS	Core i7-4790 4C/3.6GHz/8MB/1600MHz/Intel HD 4600	1 x 8GB 1600MHz non-ECC	Quadro K600 1GB	No	1x256GB SSD	DVD±RW	9-in-1	No	No	No	Switch	Win7 Pro64 (Win8.1 DG)	3 intl	240W	Global	No
30AJ001EUS	Core i7-4790 4C/3.6GHz/8MB/1600MHz/Intel HD 4600	1 x 8GB 1600MHz non-ECC	Quadro K600 1GB	No	1x256GB SSD	DVD±RW	9-in-1	No	No	No	Switch	Win7 Pro64 (Win8.1 DG)	3 intl	240W	Global	No
30AJ001FSS	Xeon E3-1231 v3 4C/3.4GHz/8MB/1600MHz/None	1 x 4GB 1600MHz ECC	Quadro K600 1GB	No	1x1TB 3.5" SATA 7.2K	DVD±RW	No	No	No	No	Switch	Win7 Pro64 (Win8.1 DG)	3 intl	240W	Global	No
30AJ001FUS	Xeon E3-1231 v3 4C/3.4GHz/8MB/1600MHz/None	1 x 4GB 1600MHz ECC	Quadro K600 1GB	No	1x1TB 3.5" SATA 7.2K	DVD±RW	No	No	No	No	Switch	Win7 Pro64 (Win8.1 DG)	3 intl	240W	Global	No
30AJ001GSS	Core i5-4590 4C/3.3GHz/6MB/1600MHz/Intel HD 4600	1 x 4GB 1600MHz non-ECC	Quadro K600 1GB	No	1x1TB 3.5" SATA 7.2K	DVD±RW	No	No	No	No	Switch	Win7 Pro64 (Win8.1 DG)	3 intl	240W	Global	No
30AJ001GUS	Core i5-4590 4C/3.3GHz/6MB/1600MHz/Intel HD 4600	1 x 4GB 1600MHz non-ECC	Quadro K600 1GB	No	1x1TB 3.5" SATA 7.2K	DVD±RW	No	No	No	No	Switch	Win7 Pro64 (Win8.1 DG)	3 intl	240W	Global	No

ThinkStation P300 Tower and SFF Optional Configurations

Partial list of core options supported on ThinkStation P300 Tower and SFF

Processors

Both ThinkStation P300 Tower and SFF support the following processors:

Processor Number	# of Cores	# of Threads	Clock Speed	Max Turbo Speed	Cache	Memory Speed	ECC Memory Supported	Processor Graphics	Max TDP
Celeron G1840	2	2	2.8GHz		2MB	1333MHz	Yes	Intel HD	54 W
Celeron G1850	2	2	2.9GHz		2MB	1333MHz	Yes	Intel HD	54 W
Pentium G3240	2	2	3.1GHz		3MB	1333MHz	Yes	Intel HD	54 W
Pentium G3440	2	2	3.3GHz		3MB	1600MHz	Yes	Intel HD	54 W
Pentium G3450	2	2	3.4GHz		3MB	1600MHz	Yes	Intel HD	54 W
Core i3-4150	2	4	3.5GHz		3MB	1600MHz	Yes	Intel HD 4400	54 W
Core i3-4350	2	4	3.6GHz		4MB	1600MHz	Yes	Intel HD 4600	54 W
Core i3-4360	2	4	3.7GHz		4MB	1600MHz	Yes	Intel HD 4600	54 W
Core i5-4690	4	4	3.5GHz	3.9GHz	6MB	1600MHz	No	Intel HD 4600	84 W
Core i5-4590	4	4	3.3GHz	3.7GHz	6MB	1600MHz	No	Intel HD 4600	84 W
Core i5-4460	4	4	3.2GHz	3.4GHz	6MB	1600MHz	No	Intel HD 4600	84 W
Core i7-4790	4	8	3.6GHz	4GHz	8MB	1600MHz	No	Intel HD 4600	84 W
Xeon E3-1281 v3	4	8	3.7GHz	4.1GHz	8MB	1600MHz	Yes	None	82 W
Xeon E3-1271 v3	4	8	3.6GHz	4GHz	8MB	1600MHz	Yes	None	80 W
Xeon E3-1241 v3	4	8	3.5GHz	3.9GHz	8MB	1600MHz	Yes	None	80 W
Xeon E3-1231 v3	4	8	3.4GHz	3.8GHz	8MB	1600MHz	Yes	None	80 W
Xeon E3-1276 v3	4	8	3.6GHz	4GHz	8MB	1600MHz	Yes	Intel HD P4600	84 W
Xeon E3-1246 v3	4	8	3.5GHz	3.9GHz	8MB	1600MHz	Yes	Intel HD P4600	84 W
Xeon E3-1226 v3	4	4	3.3GHz	3.7GHz	8MB	1600MHz	Yes	Intel HD P4600	84 W
Core i3-4340	2	4	3.6 GHz		4MB	1600MHz	Yes	Intel HD 4600	54W
Core i3-4330	2	4	3.5 GHz		4MB	1600MHz	Yes	Intel HD 4600	54W
Core i3-4130	2	4	3.4 GHz		3MB	1600MHz	Yes	Intel HD 4400	54W
Core i5-4670	4	4	3.4 GHz	3.8GHz	6MB	1600MHz	No	Intel HD 4600	84W
Core i5-4570	4	4	3.2 GHz	3.6GHz	6MB	1600MHz	No	Intel HD 4600	84W
Core i7-4770	4	8	3.4 GHz	3.9GHz	8MB	1600MHz	No	Intel HD 4600	84W
Xeon E3-1275 v3	4	8	3.5 GHz	3.9GHz	8MB	1600MHz	Yes	Intel HD P4600	84W
Xeon E3-1245 v3	4	8	3.4 GHz	3.8GHz	8MB	1600MHz	Yes	Intel HD P4600	84W
Xeon E3-1225 v3	4	4	3.2 GHz	3.6GHz	8MB	1600MHz	Yes	Intel HD P4600	84W
Xeon E3-1280 v3	4	8	3.6 GHz	4GHz	8MB	1600MHz	Yes	None	82W
Xeon E3-1270 v3	4	8	3.5 GHz	3.9GHz	8MB	1600MHz	Yes	None	80W
Xeon E3-1240 v3	4	8	3.4 GHz	3.8GHz	8MB	1600MHz	Yes	None	80W
Xeon E3-1230 v3	4	8	3.3 GHz	3.7GHz	8MB	1600MHz	Yes	None	80W
Xeon E3-1220 v3	4	4	3.1 GHz	3.5GHz	8MB	1600MHz	Yes	None	80W

Notes:

All information is provided by Intel and may be changed at any time without notice.
The information herein is provided as-is. Intel may update this information in non-scheduled.
For latest information, please see <http://ark.intel.com/>

Memory

Memory Options	Option Number	P300 Tower	P300 SFF
4GB PC3-12800 DDR3-1600 UDIMM Desktop Memory	0A65729	Yes	Yes
8GB PC3-12800 DDR3-1600 UDIMM Desktop Memory	0A65730	Yes	Yes
4GB PC3-12800 DDR3-1600 ECC UDIMM Workstation Memory	0B47377	Yes	Yes
8GB PC3-12800 DDR3-1600 ECC UDIMM Workstation Memory	0B47378	Yes	Yes

Discrete Graphics Adapters

Graphics Adapter	Memory Size	CUDA Processor Cores	Display Connectors	Max. Displays	Power	Option Number	P300 Tower	P300 SFF
Quadro K4000	3GB	768	1 dual-link DVI-I 2 DisplayPort	4*	80W	0B47393	Yes	
Quadro K2000	2GB	384	1 dual-link DVI-I 2 DisplayPort	4*	51W	0B47392	Yes	
Quadro K2000D	2GB	384	1 dual-link DVI-I 1 dual-link DVI-D 1 mini DisplayPort	4*	51W		Yes	
Quadro K600	1GB	192	1 dual-link DVI-I 1 DisplayPort	2	41W	0B47394	Yes	Yes
Quadro 410	512MB	192	1 dual-link DVI-I 1 DisplayPort	2	37W	0B47075	Yes	Yes
NVS 510	2GB	192	4 mini DisplayPort (with 4 mini DP to DP dongles)	4	35W	0B47077	Yes	Yes
NVS 315	1GB	48	DMS59 to dual single-link DVI-I or dual DisplayPort	2	19.5W	4X60F17422	Yes	Yes
NVS 310	512 MB	48	2 DisplayPort	2	19.5W	0B47074	Yes	Yes

Notes:

- All information is provided by NVIDIA and may be changed at any time without notice.
The information herein is provided as-is. NVIDIA may update this information in non-scheduled.
For latest information, please see <http://www.nvidia.com/page/products.html#WorkstationsPC>
- NVIDIA Quadro K4000 is supported on P300 Tower models with 450 watts power supply.
- Quadro K4000, K2000, and K2000D are equipped with 3 onboard display connectors,
4 Displays require a supported DisplayPort 1.2 Multi-Stream capable hub or displays

Internal Storage

Graphics Adapter	Option Number	P300 Tower	P300 SFF
Lenovo 1TB 7200 rpm Serial ATA Hard Drive	45J7918	Yes	Yes
ThinkStation 180GB Solid State Drive	0B47308	Yes	Yes
ThinkStation 1TB SATA 3.5" Hybrid HDD	4XB0F18665	Yes	Yes
ThinkStation 2TB SATA 3.5" Hybrid HDD	4XB0F18666	Yes	Yes
ThinkStation 128GB SATA 2.5" SSD	4XB0F18670	Yes	Yes
ThinkStation 256GB SATA 2.5" SSD	4XB0F18671	Yes	Yes
ThinkStation 256GB SATA 2.5" SSD - OPAL	4XB0F22432	Yes	Yes
ThinkStation 2TB 7200rpm 3.5" SATA 6Gbps Hard Drive	4XB0F18667	Yes	Yes
ThinkStation 3TB 7200rpm 3.5" SATA 6Gbps Hard Drive	4XB0F18668	Yes	Yes
ThinkStation 4TB 7200rpm 3.5" SATA 6Gbps Hard Drive	4XB0F18669	Yes	Yes

For more information on accessories:

www.lenovo.com/accessories

Purchase Lenovo accessories

www.lenovo.com/support/accessories

Product specifications on Lenovo Support

www.lenovo.com/accessoriesguide

Option Compatibility Matrix (OCM) and accessory brochures

www.lenovoquickpick.com

An Options Compatibility Configurator for Lenovo systems