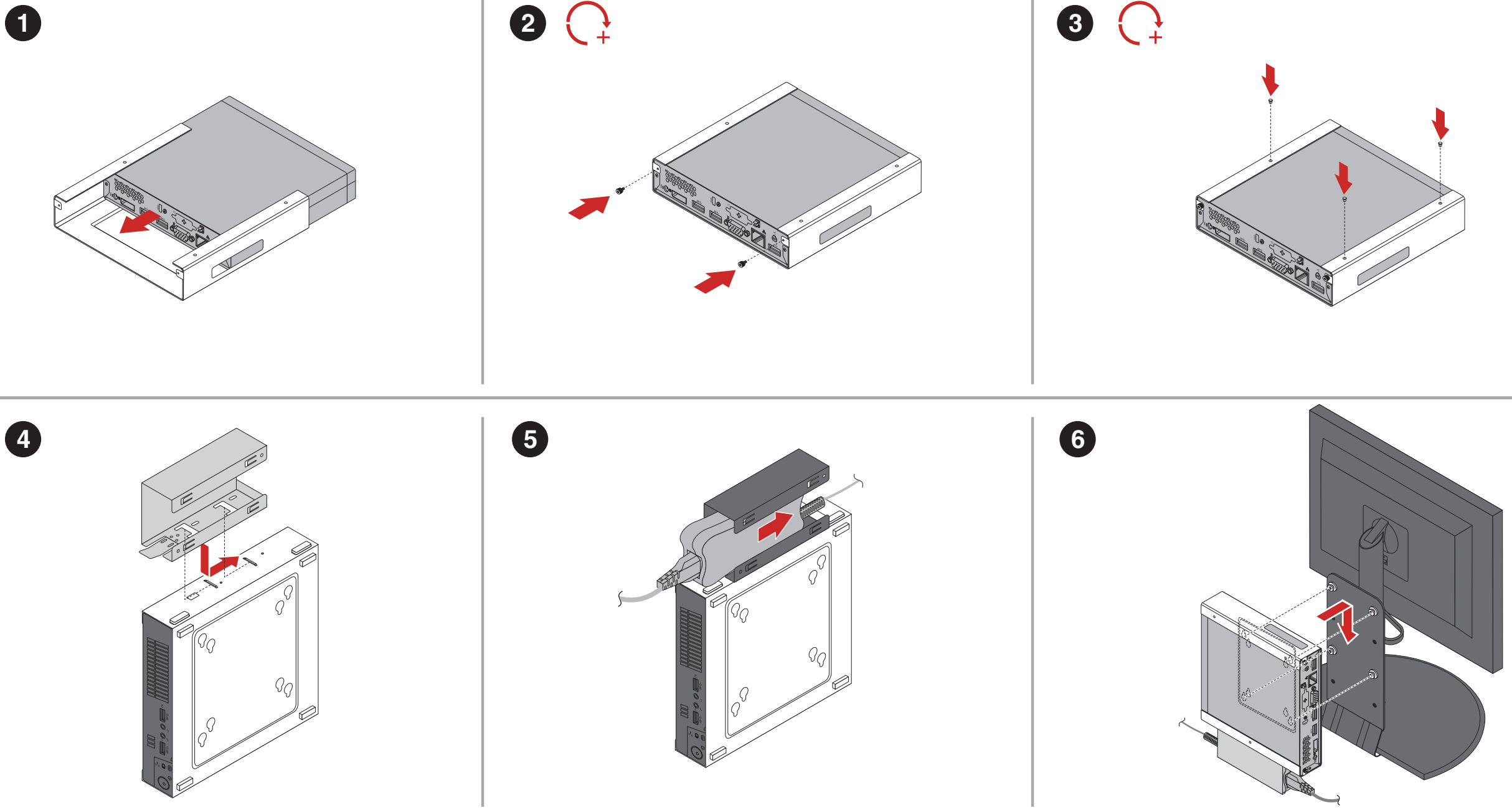


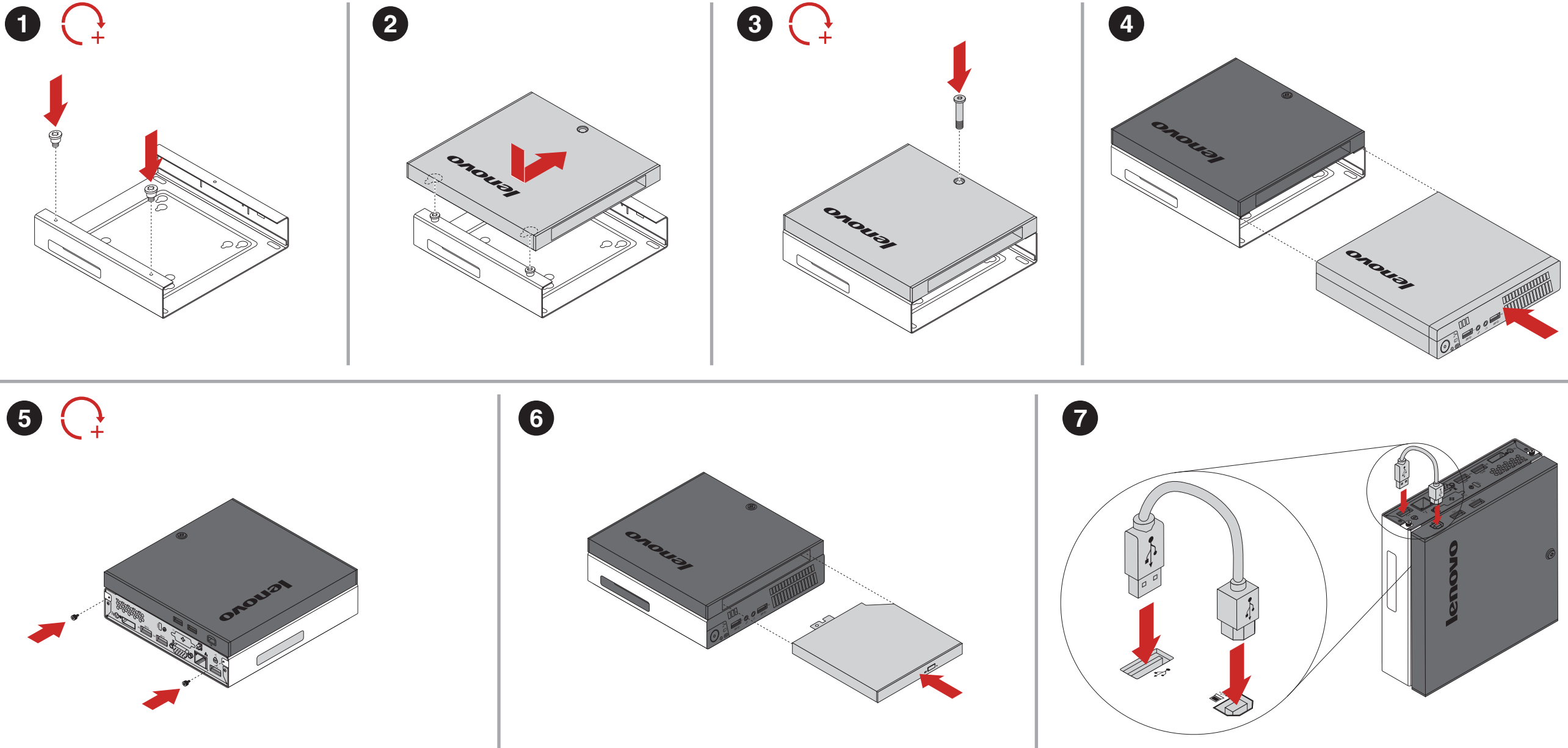
 <http://www.lenovo.com/safety>



A



B



Service and Support

The following information describes the technical support that is available for your product, during the warranty period or throughout the life of your product. Refer to the Lenovo Limited Warranty for a full explanation of Lenovo warranty terms.

Online technical support

Online technical support is available during the lifetime of a product at: <http://www.lenovo.com/support>

Product replacement assistance or exchange of defective components also is available during the warranty period. In addition, if your option is installed in a Lenovo computer, you might be entitled to service at your location. A Lenovo technical support representative can help you determine the best alternative.

Telephone technical support

Installation and configuration support through the Customer Support Center will be available until 90 days after the option has been withdrawn from marketing. After that time, the support is cancelled, or made available for a fee, at Lenovo's discretion. Additional support is also available for a nominal fee.

Before contacting a Lenovo technical support representative, please have the following information available: option name and number, proof of purchase, computer manufacturer, model, serial number and manual, the exact wording of any error message, description of the problem, and the hardware and software configuration information for your system.

Your technical support representative might want to walk you through the problem while you are at your computer during the call.

Telephone numbers are subject to change without notice. The most up-to-date telephone list for Lenovo Support is always available at <http://www.lenovo.com/support/phone>. If the telephone number for your country or region is not listed, contact your Lenovo reseller or Lenovo marketing representative.

Lenovo Limited Warranty

L505-0010-02 08/2011

This Lenovo Limited Warranty consists of the following parts:

Part 1 - General Terms

Part 2 - Country-specific Terms

Part 3 - Warranty Service Information

The terms of Part 2 replace or modify terms of Part 1 as specified for a particular country.

Part 1 - General Terms

This Lenovo Limited Warranty applies only to Lenovo hardware products you purchased for your own use and not for resale.

This Lenovo Limited Warranty is available in other languages at www.lenovo.com/warranty.

What this Warranty Covers

Lenovo warrants that each Lenovo hardware product that you purchase is free from defects in materials and workmanship under normal use during the warranty period. The warranty period for the product starts on the original date of purchase as shown on your sales receipt or invoice or as may be otherwise specified by Lenovo. The warranty period and type of warranty service that apply to your product are as specified in "Part 3 - Warranty Service Information" below. This warranty only applies to products in the country or region of purchase.

THIS WARRANTY IS YOUR EXCLUSIVE WARRANTY AND REPLACES ALL OTHER WARRANTIES OR CONDITIONS, EXPRESS OR IMPLIED, INCLUDING, BUT NOT LIMITED TO, ANY IMPLIED WARRANTIES OR CONDITIONS OF MERCHANTABILITY OR FITNESS FOR A PARTICULAR PURPOSE. AS SOME STATES OR JURISDICTIONS DO NOT ALLOW THE EXCLUSION OF EXPRESS OR IMPLIED WARRANTIES, THE ABOVE EXCLUSION MAY NOT APPLY TO YOU. IN THAT EVENT, SUCH WARRANTIES APPLY ONLY TO THE EXTENT AND FOR SUCH DURATION AS REQUIRED BY LAW AND ARE LIMITED IN DURATION TO THE WARRANTY PERIOD. AS SOME STATES OR JURISDICTIONS DO NOT ALLOW LIMITATIONS ON THE DURATION OF AN IMPLIED WARRANTY, THE ABOVE LIMITATION ON DURATION MAY NOT APPLY TO YOU.

How to Obtain Warranty Service

If the product does not function as warranted during the warranty period, you may obtain warranty service by contacting Lenovo or a Lenovo approved Service Provider. A list of approved Service Providers and their telephone numbers is available at: www.lenovo.com/support/phone.

Warranty service may not be available in all locations and may differ from location to location. Charges may apply outside a Service Provider's normal service area. Contact a local Service Provider for information specific to your location.

Customer Responsibilities for Warranty Service

Before warranty service is provided, you must take the following steps:

- follow the service request procedures specified by the Service Provider
- backup or secure all programs and data contained in the product
- provide the Service Provider with all system keys or passwords
- provide the Service Provider with sufficient, free, and safe access to your facilities to perform service
- remove all data, including confidential information, proprietary information and personal information, from the product or, if you are unable to remove any such information, modify the information to prevent its access by another party or so that it is not personal data under applicable law. The Service Provider shall not be responsible for the loss or disclosure of any data, including confidential information, proprietary information, or personal information, on a product returned or accessed for warranty service
- remove all features, parts, options, alterations, and attachments not covered by the warranty
- ensure that the product or part is free of any legal restrictions that prevent its replacement
- if you are not the owner of a product or part, obtain authorization from the owner for the Service Provider to provide warranty service

What Your Service Provider Will Do to Correct Problems

When you contact a Service Provider, you must follow the specified problem determination and resolution procedures.

The Service Provider will attempt to diagnose and resolve your problem by telephone, e-mail or remote assistance. The Service Provider may direct you to download and install designated software updates.

Some problems may be resolved with a replacement part that you install yourself called a "Customer Replaceable Unit" or "CRU." If so, the Service Provider will ship the CRU to you for you to install.

If your problem cannot be resolved over the telephone, through the application of software updates or the installation of a CRU, the Service Provider will arrange for service under the type of warranty service designated for the product under "Part 3 - Warranty Service Information" below.

If the Service Provider determines that it is unable to repair your product, the Service Provider will replace it with one that is at least functionally equivalent.

If the Service Provider determines that it is unable to either repair or replace your product, your sole remedy under this Limited Warranty is to return the product to your place of purchase or to Lenovo for a refund of your purchase price.

Replacement Products and Parts

When warranty service involves the replacement of a product or part, the replaced product or part becomes Lenovo's property and the replacement product or part becomes your property. Only unaltered Lenovo products and parts are eligible for replacement. The replacement product or part provided by Lenovo may not be new, but it will be in good working order and at least functionally equivalent to the original product or part. The replacement product or part shall be warranted for the balance of the period remaining on the original product.

Use of Personal Contact Information

If you obtain service under this warranty, you authorize Lenovo to store, use and process information about your warranty service and your contact information, including name, phone numbers, address, and e-mail address. Lenovo may use this information to perform service under this warranty. We may contact you to inquire about your satisfaction with our warranty service or to notify you about any product recalls or safety issues. In accomplishing these purposes, you authorize Lenovo to transfer your information to any country where we do business and to provide it to entities acting on our behalf. We may also disclose it where required by law. Lenovo's privacy policy is available at www.lenovo.com/.

What this Warranty Does not Cover

This warranty does not cover the following:

- uninterrupted or error-free operation of a product
- loss of, or damage to, your data by a product
- any software programs, whether provided with the product or installed subsequently
- failure or damage resulting from misuse, abuse, accident, modification, unsuitable physical or operating environment, natural disasters, power surges, improper maintenance, or use not in accordance with product information materials
- damage caused by a non-authorized service provider
- failure of, or damage caused by, any third party products, including those that Lenovo may provide or integrate into the Lenovo product at your request
- any technical or other support, such as assistance with "how-to" questions and those regarding product set-up and installation
- products or parts with an altered identification label or from which the identification label has been removed

Limitation of Liability

Lenovo is responsible for loss or damage to your product only while it is in the Service Provider's possession or in transit, if the Service Provider is responsible for the transportation.

Neither Lenovo nor the Service Provider is responsible for loss or disclosure of any data, including confidential information, proprietary information, or personal information, contained in a product.

UNDER NO CIRCUMSTANCES, AND NOTWITHSTANDING THE FAILURE OF ESSENTIAL PURPOSE OF ANY REMEDY SET FORTH HEREIN, SHALL LENOVO, ITS AFFILIATES, SUPPLIERS, RESELLERS, OR SERVICE PROVIDERS BE LIABLE FOR ANY OF THE FOLLOWING EVEN IF INFORMED OF THEIR POSSIBILITY AND REGARDLESS OF WHETHER THE CLAIM IS BASED IN CONTRACT, WARRANTY, NEGLIGENCE, STRICT LIABILITY OR OTHER THEORY OF LIABILITY: 1) THIRD PARTY CLAIMS AGAINST YOU FOR DAMAGES; 2) LOSS, DAMAGE OR DISCLOSURE OF YOUR DATA; 3) SPECIAL, INCIDENTAL, PUNITIVE, INDIRECT OR CONSEQUENTIAL DAMAGES, INCLUDING BUT NOT LIMITED TO LOST PROFITS, BUSINESS REVENUE, GOODWILL OR ANTICIPATED SAVINGS; IN NO CASE SHALL THE TOTAL LIABILITY OF LENOVO, ITS AFFILIATES, SUPPLIERS, RESELLERS OR SERVICE PROVIDERS FOR DAMAGES FROM ANY CAUSE EXCEED THE AMOUNT OF ACTUAL DIRECT DAMAGES, NOT TO EXCEED THE AMOUNT PAID FOR THE PRODUCT.

THE FOREGOING LIMITATIONS DO NOT APPLY TO DAMAGES FOR BODILY INJURY (INCLUDING DEATH), DAMAGE TO REAL PROPERTY OR DAMAGE TO TANGIBLE PERSONAL PROPERTY FOR WHICH LENOVO IS LIABLE UNDER LAW.

AS SOME STATES OR JURISDICTIONS DO NOT ALLOW THE EXCLUSION OR LIMITATION OF INCIDENTAL OR CONSEQUENTIAL DAMAGES, THE ABOVE LIMITATION OR EXCLUSION MAY NOT APPLY TO YOU.

Your Other Rights

THIS WARRANTY GIVES YOU SPECIFIC LEGAL RIGHTS. YOU MAY HAVE OTHER RIGHTS ACCORDING TO THE APPLICABLE LAWS OF YOUR STATE OR JURISDICTION. YOU MAY ALSO HAVE OTHER RIGHTS UNDER A WRITTEN AGREEMENT WITH LENOVO. NOTHING IN THIS WARRANTY AFFECTS STATUTORY RIGHTS, INCLUDING RIGHTS OF CONSUMERS UNDER LAWS OR REGULATIONS GOVERNING THE SALE OF CONSUMER GOODS THAT CANNOT BE WAIVED OR LIMITED BY CONTRACT.

Part 2 - Country-specific Terms

Australia

“Lenovo” means Lenovo (Australia & New Zealand) Pty Limited ABN 70 112 394 411. Address: Level 10, North Tower, 1-5 Railway Street, Chatswood, NSW, 2067. Telephone: +61 2 8003 8200. Email: lenseyd_au@lenovo.com

The following replaces the same section in Part 1:

What This Warranty Covers:

Lenovo warrants that each hardware product that you purchase is free from defects in materials and workmanship under normal use and conditions during the warranty period. If the product fails due to a covered defect during the warranty period, Lenovo will provide you a remedy under this Limited Warranty. The warranty period for the product starts on the original date of purchase specified on your sales receipt or invoice unless Lenovo informs you otherwise in writing. The warranty period and type of warranty service that apply to your product are set forth below in Part 3 - Warranty Service Information.

THE BENEFITS GIVEN BY THIS WARRANTY ARE IN ADDITION TO YOUR RIGHTS AND REMEDIES AT LAW, INCLUDING THOSE UNDER THE AUSTRALIAN CONSUMER LAW.

The following replaces the same section in Part 1:

Replacement Products and Parts:

When warranty service involves the replacement of a product or part, the replaced product or part becomes Lenovo’s property and the replacement product or part becomes your property. Only unaltered Lenovo products and parts are eligible for replacement. The replacement product or part provided by Lenovo may not be new, but it will be in good working order and at least functionally equivalent to the original product or part. The replacement product or part shall be warranted for the balance of the period remaining on the original product. Products and parts presented for repair may be replaced by refurbished products or parts of the same type rather than being repaired. Refurbished parts may be used to repair the product, and repair of the product may result in loss of data, if the product is capable of retaining user-generated data.

The following is added to the same section in Part 1:

Use of Personal Contact Information:

Lenovo will not be able to perform our service under this warranty if you refuse to provide your information or do not wish us to transfer your information to our agent or contractor. You have the right to access your personal contact information and request correction of any errors in it pursuant to the Privacy Act 1988 by contacting Lenovo.

The following replaces the same section in Part 1:

Limitation of Liability:

Lenovo is responsible for loss or damage to your product only while it is in the Service Provider’s possession or in transit, if the Service Provider is responsible for the transportation.

Neither Lenovo nor the Service Provider is responsible for loss or disclosure of any data, including confidential information, proprietary information, or personal information, contained in a product.

TO THE EXTENT PERMITTED BY LAW, UNDER NO CIRCUMSTANCES AND NOTWITHSTANDING THE FAILURE OF ESSENTIAL PURPOSE OF ANY REMEDY SET FORTH HEREIN, SHALL LENOVO, ITS AFFILIATES, SUPPLIERS, RESELLERS, OR SERVICE PROVIDERS BE LIABLE FOR ANY OF THE FOLLOWING EVEN IF INFORMED OF THEIR POSSIBILITY AND REGARDLESS OF WHETHER THE CLAIM IS BASED IN CONTRACT, WARRANTY, NEGLIGENCE, STRICT LIABILITY OR OTHER THEORY OF LIABILITY: 1) THIRD PARTY CLAIMS AGAINST YOU FOR DAMAGES; 2) LOSS, DAMAGE OR DISCLOSURE OF YOUR DATA; 3) SPECIAL, INCIDENTAL, PUNITIVE, INDIRECT OR CONSEQUENTIAL DAMAGES, INCLUDING BUT NOT LIMITED TO LOST PROFITS, BUSINESS REVENUE, GOODWILL OR ANTICIPATED SAVINGS; IN NO CASE SHALL THE TOTAL LIABILITY OF LENOVO, ITS AFFILIATES, SUPPLIERS, RESELLERS, OR SERVICE PROVIDERS FOR DAMAGES FROM ANY CAUSE EXCEED THE AMOUNT OF ACTUAL DIRECT DAMAGES, NOT TO EXCEED THE AMOUNT PAID FOR THE PRODUCT.

THE FOREGOING LIMITATIONS DO NOT APPLY TO DAMAGES FOR BODILY INJURY (INCLUDING DEATH), DAMAGE TO REAL PROPERTY OR DAMAGE TO TANGIBLE PERSONAL PROPERTY FOR WHICH LENOVO IS LIABLE UNDER LAW.

The following replaces the same section in Part 1:

Your Other Rights:

THIS WARRANTY GIVES YOU SPECIFIC LEGAL RIGHTS. YOU ALSO HAVE OTHER RIGHTS AT LAW, INCLUDING UNDER THE AUSTRALIAN CONSUMER LAW. NOTHING IN THIS WARRANTY AFFECTS STATUTORY RIGHTS OR RIGHTS AT LAW, INCLUDING RIGHTS THAT CANNOT BE WAIVED OR LIMITED BY CONTRACT.

For example, our products come with guarantees that cannot be excluded under the Australian Consumer Law. You are entitled to a refund or a replacement for a major failure and compensation for any other reasonably foreseeable loss or damage. You are also entitled to have the products repaired or replaced if the products fail to be of acceptable quality and the failure does not amount to a major failure.

New Zealand

The following is added to the same section in Part 1:

Use of Personal Information:

Lenovo will not be able to perform our service under this warranty if you refuse to provide your information or do not wish us to transfer your information to our agent or contractor. You have the right to access your personal information and request correction of any errors in it pursuant to the Privacy Act 1993 by contacting Lenovo (Australia & New Zealand) Pty Limited ABN 70 112 394 411. Address: Level 10, North Tower, 1-5 Railway Street, Chatswood, NSW, 2067. Telephone: 61 2 8003 8200. Email: lenseyd_au@lenovo.com

Bangladesh, Cambodia, India, Indonesia, Nepal, Philippines, Vietnam and Sri Lanka
The following is added to Part 1:
Dispute Resolution
Disputes arising out of or in connection with this warranty shall be finally settled by arbitration held in Singapore. This warranty shall be governed, construed and enforced in accordance with the laws of Singapore, without regard to conflict of laws. If you acquired the product in transit, it shall be settled out of or in connection with this warranty shall be finally settled by arbitration held in Bangalore, India. Arbitration in Singapore shall be held in accordance with the Arbitration Rules of Singapore International Arbitration Center (“SIAC Rules”) then in effect. Arbitration in India shall be held in accordance with the laws of India then in effect. The arbitration award shall be final and binding on the parties without appeal. Any award shall be in writing and set forth the findings of fact and the conclusions of law. All arbitration proceedings, including all documents presented in such proceedings shall be conducted in the English language. The English language version of this warranty prevails over any other language version in such proceedings.
European Economic Area (EEA)
The following is added to Part 1:
Customers in the EEA may contact Lenovo at the following address: EMEA Service Organisation, Lenovo (International) B.V., Floor 2, Einsteinvoet 21, 851 01, Bratislava, Slovakia. Service requests for Lenovo hardware products purchased in EEA countries may be obtained in any EEA country in which the product has been announced and made available by Lenovo.
Russia
The following is added to Part 1:
Product Service Life
The product service life is four (4) years from the original date of purchase.
Part 3 - Warranty Service Information

Product Type	Country or Region of Purchase	Warranty Period	Type of Warranty Service
ThinkCentre Tiny L-Bracket Mounting Kit	Worldwide	3 years	1, 4

If required, the Service Provider will provide repair or exchange service depending on the type of warranty service specified for your product and the available service. Scheduling of service will depend upon the time of your call, parts availability, and other factors.

Types of Warranty Service

1.Customer Replaceable Unit (“CRU”) Service

Under CRU Service, the Service Provider will ship CRUs to you at its cost for installation by you. CRU information and replacement instructions are shipped with your product and are available from Lenovo at any time upon request. CRUs that are easily installed by you are called “Self-service CRUs”. Optional-service CRUs are CRUs that may require some technical skill and tools. Installation of Self-service CRUs is your responsibility. You may request that a Service Provider install Optional-service CRUs under one of the other types of warranty service designated for your product. An optional service offering may be available for purchase from a Service Provider or Lenovo under which Self-service CRUs would be installed for you. You may find a list of CRUs and their designation in the publication that was shipped with your product or at www.lenovo.com/CRUs. The requirement to return a defective CRU, if any, will be specified in the instructions shipped with a replacement CRU. When return is required: 1) return instructions, a prepaid return shipping label, and a container will be included with the replacement CRU; and 2) you may be charged for the replacement CRU if the Service Provider does not receive the defective CRU from you within thirty (30) days of your receipt of the replacement CRU.

2. On-site Service

Under On-Site Service, a Service Provider will either repair or exchange the product at your location. You must provide a suitable working area to allow disassembly and reassembly of the product. Some repairs may need to be completed at a service center. If so, the Service Provider will send the product to the service center at its expense.
3. Courier or Depot Service
Under Courier or Depot Service, your product will be repaired or exchanged at a designated service center, with shipping at the expense of the Service Provider. You are responsible for disconnecting the product and packing it in a shipping container provided to you to return your product to a designated service center. A courier will pick up your product and deliver it to the designated service center. The service center will return the product to you at its expense.
4. Customer Carry-In Service
Under Customer Carry-In Service, your product will be repaired or exchanged after you deliver it to a designated service center at your risk and expense. After the product has been repaired or replaced, it will be made available to you for collection. If you fail to collect the product, the Service Provider may dispose of the product as it sees fit, with no liability to you.
5. Mail-In Service
Under Mail-In Service, your product will be repaired or exchanged at a designated service center after you deliver it at your risk and expense. After the product has been repaired or

exchanged, it will be returned to you at Lenovo's risk and expense, unless the Service Provider specifies otherwise.

6. Customer Two-Way Mail-In Service

Under Customer Two-Way Mail-In Service, your product will be repaired or exchanged after you deliver it to a designated service center at your risk and expense. After the product has been repaired or exchanged, it will be made available to you for return shipping at your risk and expense. If you fail to arrange return shipment, the Service Provider may dispose of the product as it sees fit, with no liability to you.

7. Product Exchange Service

Under Product Exchange Service, Lenovo will ship a replacement product to your location. You are responsible for its installation and verification of its operation. The replacement product becomes your property in exchange for the failed product, which becomes the property of Lenovo. You must pack the failed product in the shipping carton in which you received the replacement product and return it to Lenovo. Transportation charges, both ways, shall be at Lenovo’s expense. If you fail to use the carton in which the replacement product was received, you may be responsible for any damage to the failed product occurring during shipment. You may be charged for the replacement product if Lenovo does not receive the failed product within thirty (30) days of your receipt of the replacement product.

Suplemento de Garantía para México

Este Suplemento se considera parte integrante de la Garantía Limitada de Lenovo y será efectiva única y exclusivamente para los productos distribuidos y comercializados dentro del Territorio de los Estados Unidos Mexicanos. En caso de conflicto, se aplicarán los términos de este Suplemento.

Todos los programas de software preinstalados en el equipo sólo tendrán una garantía de treinta (30) días por defectos de instalación desde la fecha de compra. Lenovo no es responsable de la información incluida en dichos programas de software y/o cualquier programa de software adicional instalado por Usted o instalado después de la compra del producto.

Los servicios no cubiertos por la garantía se cargarán al usuario final, previa obtención de una autorización.

En el caso de que se precise una reparación cubierta por la garantía, por favor, llame al Centro de soporte al cliente al 001-866-434-2080, donde le dirigirán al Centro de servicio autorizado más cercano. Si no existiese ningún Centro de servicio autorizado en su ciudad, población o en un radio de 70 kilómetros de su ciudad o población, la garantía incluirá cualquier gasto de entrega razonable relacionado con el transporte del producto a su Centro de servicio autorizado más cercano. Por favor, llame al Centro de servicio autorizado más cercano para obtener las aprobaciones necesarias o la información relacionada con el envío del producto y la dirección de envío.

Para obtener una lista de los Centros de servicio autorizados, por favor, visite: <http://www.lenovo.com/mx/es/servicios>

Importado por:
Lenovo México S. de R.L. de C.V.
Av. Santa Fe 505, Piso 15
Col. Cruz Manca
Cuajimalpa, D.F., México
C.P. 05349
Tel. (55) 5000 8500

Lenovo Limited Warranty - Customer Notice

Read the Lenovo Limited Warranty (LLW) at http://www.lenovo.com/warranty/llw_02. If you cannot view the LLW, contact your local Lenovo office or reseller to obtain a printed version of the LLW.

Warranty information applicable to your machine:

- Warranty Period: 3 years
- Type of Warranty Service: Customer Replaceable Unit (CRU) and Customer Carry-In
- Lenovo Limited Warranty Version: L505-0010-02 08/2011

For warranty service, consult the telephone list at <http://www.lenovo.com/support/phone>. Phone numbers are subject to change without notice.

Garantía Limitada da Lenovo - Aviso ao Cliente

Leia a Garantia Limitada Lenovo (LLW) em: http://www.lenovo.com/warranty/llw_02. Caso não seja possível abrir a LLW, entre em contato com o escritório ou revendedor Lenovo local para obter uma versão impressa da LLW.

Informações de garantia aplicáveis à sua máquina:

- Período de garantia: 3 anos
- Tipo de Serviço de Garantia: Unidade Substituível pelo Cliente (CRU) e Serviço de Transporte pelo Cliente
- Versão da Garantia Limitada Lenovo: L505-0010-02 08/2011

Para obter informações sobre o serviço de garantia, consulte a lista de telefones em <http://www.lenovo.com/support/phone>. Os números de telefone estão sujeitos a alterações sem aviso prévio.

Lenovo Ограничена гаранция - Забелжка за клиента

Прочетете Ограничената гаранция на Lenovo (LLW) на адрес http://www.lenovo.com/warranty/llw_02. Ако не можете да отворите да LLW, свържете се с местния офис или рибейлър на Lenovo, за да получите печатна версия на LLW.

Гаранционна информация, приложена за вашия компютър:

- Гаранционен срок: 3 години
- Тип гаранционно обслужване: Подменянеи от клиента части (CRU) и обслужване с доставка от клиента
- Версия на Ограничената гаранция на Lenovo: L505-0010-02 08/2011

За възможностите за гаранционно обслужване разгледайте списъка с телефони на адрес <http://www.lenovo.com/support/phone>. Телефонните номера подлежат на промяна без предизвестие.

Lenovo ograničeno jamstvo - Napomena za korisnike

Ograničeno jamstvo tvrtke Lenovo pronaći ćete i na adresi http://www.lenovo.com/warranty/llw_02. Ako ne možete vidjeti ograničeno jamstvo tvrtke Lenovo, obratite se lokalnoj podružnici ili prodavaču proizvoda tvrtke Lenovo da biste dobili tiskanu verziju tog jamstva.

Informacije o jamstvu koje se odnose na vaš uređaj:

- Jamstveno razdoblje: 3 godine
- Vrsta jamstvenog servisa: korisnički zamjenjive jedinice (CRU) i servis s korisničkom dostavom
- Verzija ograničenog jamstva tvrtke Lenovo: L505-0010-02 08/2011

Informacije o jamstvenom servisu potražite na popisu telefonskih brojeva na adresi <http://www.lenovo.com/support/phone>. Telefonski brojevi podložni su promjeni bez prethodne obavijesti.

Omezená záruka Lenovo – upozornění pro zákazníky

Přečtěte si prosím Omezenou záruku Lenovo (Lenovo Limited Warranty, LLW) na webové stránce http://www.lenovo.com/warranty/llw_02. Pokud si text LLW nemůžete prohlednout, vyžádejte si tištěnou verzi od místního zastupení Lenovo nebo od prodejce.

Informace o záruce platné pro tento počítač:

- Záruční doba: 3 roky
- Typ záručního servisu: servis typu CRU (Customer Replaceable Unit), součástí výměnitelné zákaznické) a servis typu Customer Carry-In
- Omezená záruka Lenovo verze: L505-0010-02 08/2011

Informace o záručním servisu získáte na telefonních číslech uvedených na webové stránce <http://www.lenovo.com/support/phone>. Telefonní čísla se mohou měnit bez předchozího upozornění.

Bæmking til kundur vedrørende Lenovo Begrenset garanti

Læs Lenovo Begrenset garanti (LLW) på http://www.lenovo.com/warranty/llw_02. Hvis du ikke læse LLW, kan du kontakte det lokale Lenovo-kontor eller den lokale Lenovo-forhandler for at få en trykt version af LLW.

Garantioplysninger for maskinen:

- Garantiperiode: 3 år
- Den type service, der er omfattet af garantien: CRU-service (Customer Replaceable Unit) og Kundeindleveringsservice
- Version af Lenovo Begrenset garanti: L505-0010-02 08/2011

Se telefonlisten på adressen <http://www.lenovo.com/support/phone> vedrørende garantservice. Disse telefonnumre kan ændres uden forudgående varsel.

Lenovo rajoiuttetu takuu - Ilmoitus asiakkaille

Lue Lenovo rajoiuttetu takuu (Lenovo Limited Warranty) osoitteesta http://www.lenovo.com/warranty/llw_02. Jos et näe Lenovon rajoiuttetu takuuta (LLW), ota yhteyttä paikallisleen Lenovo-toimistoon tai jälleenympyjään ja pyydä painettua versiota LLW:stä.

Konetta koskevat tiedotueudet:

- Takuuakka: 3 vuotta
- Takuukohtainen laji: Asiakkain vaihdettavissa olevia osia (CRU) koskeva palvelu ja asiakkailleen toteuttama kuljetus
- Lenovon rajoitettu takuu ehjojen versio: L505-0010-02 08/2011

Saat takuuhoitopalveluja soidtamalla sopivaan Web-sivustossa <http://www.lenovo.com/support/phone> olevaan luettuon puhelinnumeroon. Puhelinnumeroita saatetaan muuttaa ennalta ilmoittamalla.

Garantie Lenovo - Notification client

Consultez la Garantie Lenovo (LLW) à l’adresse suivante : http://www.lenovo.com/warranty/llw_02. Si vous n’arrivez pas à afficher la Garantie, prenez contact avec votre distributeur Lenovo ou avec le bureau Lenovo local afin d’en obtenir une version imprimée.

Informations relatives à la garantie applicable à votre machine :

- Etendue de la garantie : 3 ans
- Types de services prévus par la garantie : Service d’unité remplaçable par l’utlisateur (CRU) et Service de livraison ou d’expédition par le client ou service postal
- Numéro de version de la garantie : L505-0010-02 08/2011

Pour obtenir les services prévus par la garantie, consultez la liste de numéros de téléphone à l’adresse <http://www.lenovo.com/support/phone>. Les numéros de téléphone sont susceptibles d’être modifiés sans préavis.

Περιορισμένη Εγγύηση της Lenovo - Ειδοποίηση προς τους Πλάιτες

Διαβείτε την Περιορισμένη Εγγύηση της Lenovo (LLW) στον δικτυακό τόπο http://www.lenovo.com/warranty/llw_02. Εάν δεν μπορείτε να προβλέψτε την Περιορισμένη Εγγύηση της Lenovo (LLW), επικοινωνήστε με τα τοπικά γραφεία ή τον μεταπωλητή της Lenovo για να λάβετε με έντυπη έκδοση της Περιορισμένης Εγγύησης της Lenovo (LLW).

Πληροφορίες σχετική με την Εγγύηση που ισχύει για το Μηκάνημα σας:

- Περίοδος εγγύησης: 3 έτη
- Είδος υπηρεσιών εγγύησης: Μονάδες αντικαθιστούμενες από τον πελάτη (Customer Replaceable Unit ή CRU) και Μεταφορά από τον πελάτη (Customer Carry-In)
- Έκδοση Περιορισμένης Εγγύησης της Lenovo: L505-0010-02 08/2011

Για υπηρεσίες εγγύησης, συμβουλευτείτε τον τηλεφωνικό κατάλογο στον δικτυακό τόπο <http://www.lenovo.com/support/phone>. Οι αριθμοί τηλεφωνικού υποκειμένου α αλλάγής χωρίς ειδοποίηση.

Lenovo Begrenzte Herstellergarantie - Hinweis für Kunden

Lesen Sie die begrenzte Herstellergarantie von Lenovo (LLW) unter http://www.lenovo.com/warranty/llw_02. Wenn Sie die begrenzte Herstellergarantie nicht anzeigen können, wenden Sie sich an Lenovo oder Ihren Lenovo Reseller vor Ort, um eine gedruckte Version der begrenzten Herstellergarantie zu erhalten.

Für Ihre Maschine gelten die folgenden Garantieinformationen:

- Garantiezeitraum: 3 Jahre
- Art des Garantservice: CRU-Service (Customer Replaceable Unit, durch den Kunden austauschbare Funktionseinheit) und Anlieferung durch den Kunden
- Lenovo Begrenzte Herstellergarantie: L505-0010-02 08/2011

Um Garantie-Service in Anspruch zu nehmen, rufen Sie die entsprechende Telefonnummer aus der Liste unter der folgenden Adresse an: <http://www.lenovo.com/support/phone>. Telefonnummern können jederzeit ohne Vorankündigung geändert werden.

Lenovo Korlátzott Jótállás – Vásárlói közlemény

Olvassa el a Lenovo Korlátzott Jótállás (LLW) részleteit a http://www.lenovo.com/warranty/llw_02 címen. Ha nem tudja megtekinteni a Lenovo Korlátzott Jótállást, akkor lépjen kapcsolatba a Lenovo helyi képviselőivel vagy viszonteladóival, és kérje a Lenovo Korlátzott Jótállás nyomtatott példányát.

A számítógépére vonatkozó jótállási információk:

- Jótállási időszak: 3 év
- Jótállási szolgáltatás típusa: Vásárolt által cserélhető egység (CRU) és Beszállításos szolgáltatás

3. Lenovo Korlátzott Jótállás verziója: L505-0010-02 08/2011

A jótállási szolgáltatás elérhetőségével kapcsolatban tekintse meg a telefonszámok listáját <http://www.lenovo.com/support/phone> címen. A telefonszámok bejelentés nélkül megváltoztathatnak.

Garanzia limitata Lenovo (LLW) - Avviso per il cliente

Leggere la dichiarazione di Garanzia limitata Lenovo (LLW, Lenovo Limited Warranty) all’indirizzo http://www.lenovo.com/warranty/llw_02. Se non è possibile visualizzare la dichiarazione LLW, contattare l’ufficio locale Lenovo o il rivenditore per ottenerne una versione stampata.

Informazioni sulla garanzia applicabili alla propria macchina:

- Periodo di garanzia: 3 anni
- Tipo di servizio di garanzia: Customer Replaceable Unit (CRU) e Customer Carry-In
- Versione di garanzia limitata Lenovo: L505-0010-02 08/2011

Per il servizio di garanzia, consultare l’elenco dei numeri telefonici all’indirizzo <http://www.lenovo.com/support/phone>. I numeri di telefono sono soggetti a modifiche senza preavviso.

Lenovo Beperteke Garantie - Kennisgeving aan klant

Lees de Lenovo Beperteke Garantie (LLW) op http://www.lenovo.com/warranty/llw_02. Als u de LLW kunt bekeken, neem dan contact op met uw plaatselijke Lenovo-kantoor of -dealer om een gedrukte versie van de LLW te verkrijgen.

Garantie-informatie die van toepassing is op uw machine:

- Garantieperiode: 3 jaar
- Type garantservice: Customer Replaceable Unit (CRU) en Customer Carry-In
- Versie Lenovo Beperteke Garantie: L505-0010-02 08/2011

Raadpleeg voor garantieservice de telefoonlijst op <http://www.lenovo.com/support/phone>. Telefoonnummers kunnen zonder voorafgaande kennisgeving worden gewijzigd.

Lenovos garantibetingelser - Merknad til kunden

Les Lenovos garantibetingelser (LLW) på http://www.lenovo.com/warranty/llw_02. Hvis du ikke kan vise garantibetingelsene, må du kontakte ditt lokale Lenovo-kontor eller forhandleren for å få en trykt versjon.

Garantiinformasjon som gjelder din maskin:

- Garantiperiode: 3 år
- Type garantservice: CRU (Customer Replaceable Unit) og innlevering av kunden
- Lenovos garantibetingelser versjon: L505-0010-02 08/2011

Hvis du har spørsmål om garantservice, se telefonlisten på <http://www.lenovo.com/support/phone>. Telefonnumrene kan bli endret uten forvarsel.

Organiczna gwarancja Lenovo - informacja dla Klienta

Prosimy o przeczytanie ograniczonej gwarancji Lenovo (Lenovo Limited Warranty – LLW) pod adresem: http://www.lenovo.com/warranty/llw_02. Jeśli nie można wyświetlić LLW, należy skontaktować się z miejscowym biurem Lenovo lub z reserlem w celu uzyskania wersji drukowanej.

Informacje gwarancyjne mające zastosowanie do Maszyny Klienta:

- Okres gwarancyjny: 3 lata.
- Typ usługi gwarancyjnego: Serwis polegający na dostarczeniu Części Wymieniałnych przez Klienta (Customer Replaceable Unit – CRU) oraz serwis z transportem przez Klienta.
- Wersja ograniczonej gwarancji Lenovo: L505-0010-02 08/2011.

Listą telefonów do osób odpowiedzialnych za serwis gwarancyjny znajduje się w serwisie: <http://www.lenovo.com/support/phone>. Numery telefonów mogą ulec zmianie bez powiadomienia.

Garantia Limitada da Lenovo - Aviso ao Cliente