



P/N: SP40H30216

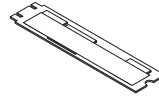


<http://www.lenovo.com/safety>

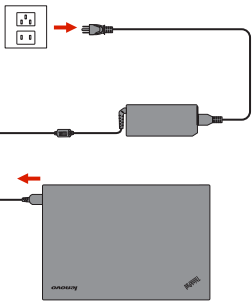
First Edition (December 2014)

© Copyright Lenovo 2014.

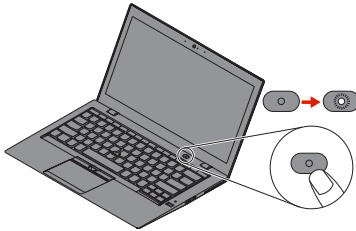
ThinkPad and the ThinkPad logo are trademarks of Lenovo in the United States, other countries, or both.



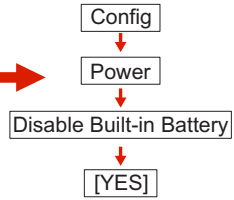
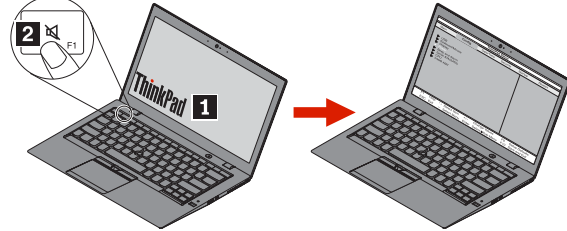
1



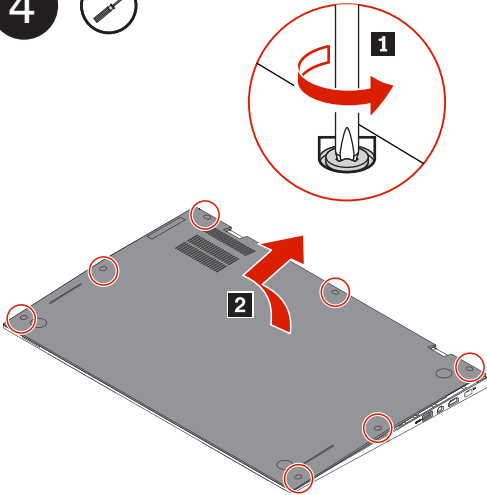
2



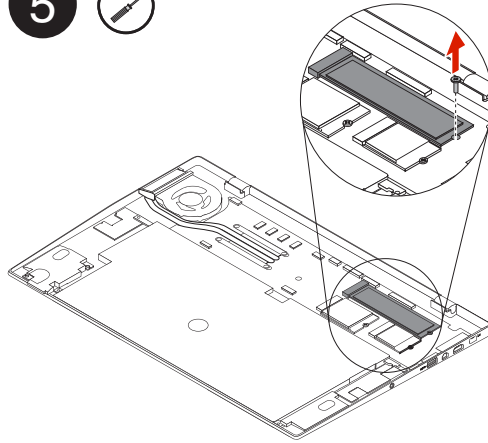
3



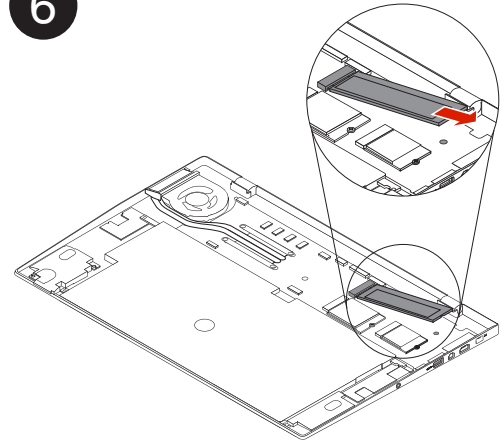
4



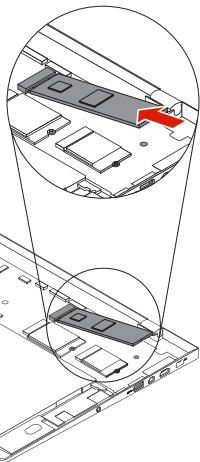
5



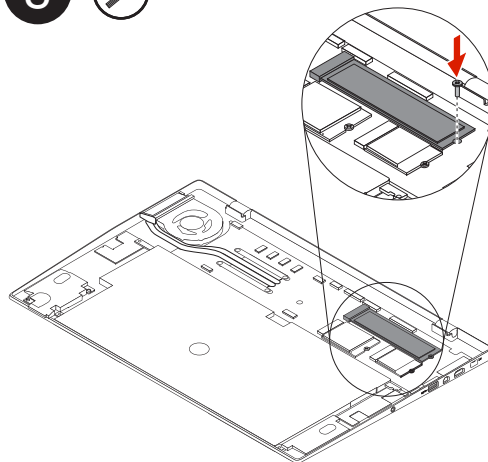
6



7



8



9

