

# BTL600

## Instructions for use English



**NOTE:** This equipment has been tested and found to comply with the limits for a Class B digital device, pursuant to part 15 of the FCC Rules. These limits are designed to provide reasonable protection against harmful interference in a residential installation. This equipment generates uses and can radiate radio frequency energy and, if not installed and used in accordance with the instructions, may cause harmful interference to radio communications. However, there is no guarantee that interference will not occur in a particular installation. If this equipment does cause harmful interference to radio or television reception, which can be determined by turning the equipment off and on, the user is encouraged to try to correct the interference by one or more of the following measures:

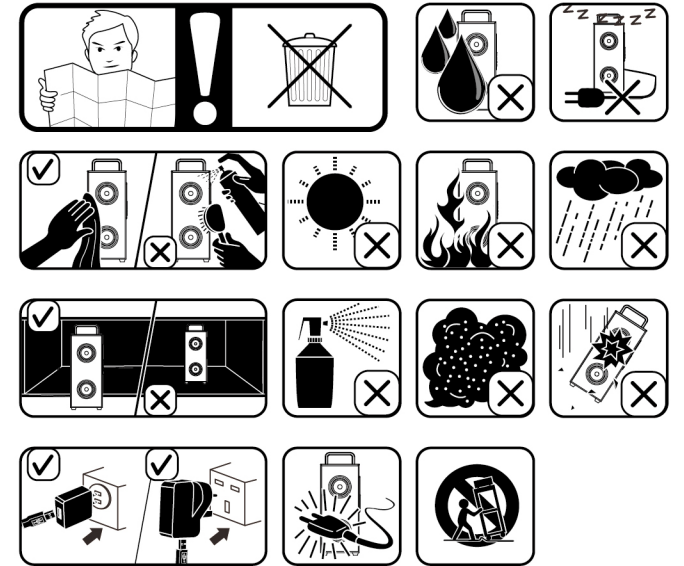
- Reorient or relocate the receiving antenna.
- Increase the separation between the equipment and receiver.
- Connect the equipment into an outlet on a circuit different from that to which the receiver is connected.
- Consult the dealer or an experienced radio/TV technician for help.

Changes or modifications not expressly approved by the party responsible for compliance could void the user's authority to operate the equipment.

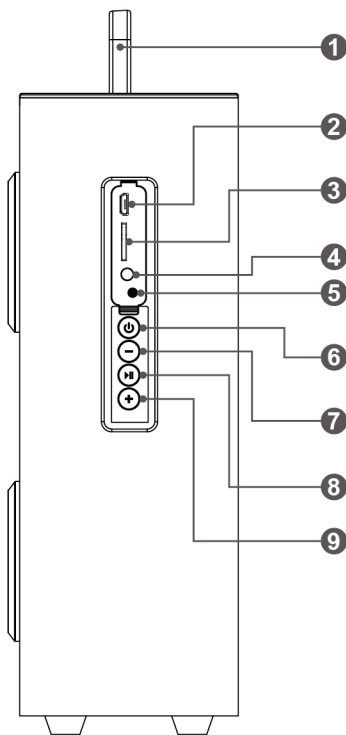
This device complies with Part 15 of the FCC Rules. Operation is subject to the following two conditions:

- (1) this device may not cause harmful interference, and,
- (2) this device must accept any interference received, including interference that may cause undesired operation.

- The product shall not be exposed to dripping or splashing and that no objects filled with liquids, such as vases, shall be placed on the product.
- To completely disconnect the power input, disconnect the main plug of the product from the main socket.
- The main plug of the product should not be obstructed OR should be easily accessed during intended use.
- The maximum output voltage of headphone jack is equal or less than 150mV.

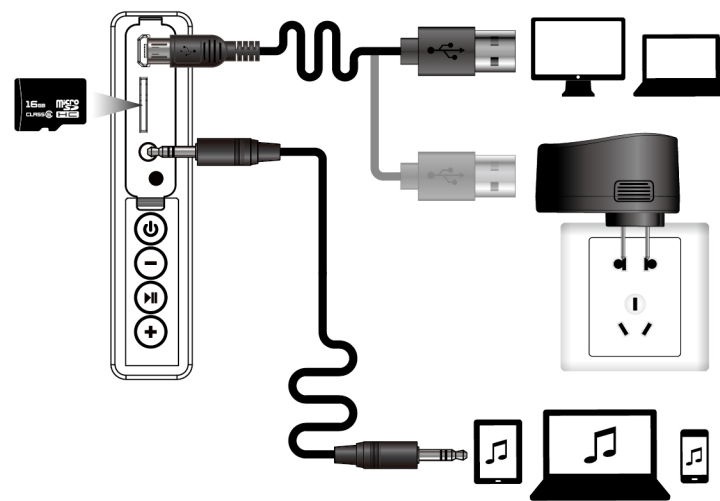


### Control Panel



1. Handle.
2. Micro USB charging port.
3. TF card slot.
4. AUX in port.
5. Fountain switch.
6. Power On/Off.
7. Volume decrease/Previous track.
8. Play/Pause.
9. Volume increase/Next track.

### Connecting the Speakers



### Operation instruction

- 1. Charging BTL600**
  1. Connect to a PC/Laptop/Mac or 5V USB adaptor (not included) with the USB cable included.
- 2. Paring with Bluetooth enabled mobiles and tablets**
  1. Turn on BTL600 using the power switch.
  2. Turn on the Bluetooth function on your device and search for BTL600 in the available device list.
- 3. TF card mode**
  1. Insert TF card into the TF card slot.
  2. BTL600 automatically goes into TF card mode and will begin playing the first music file.
  3. The Bluetooth mode will be terminated when the TF card is inserted.
- 4. AUX mode**
  1. Insert the 3.5mm audio cable to AUX port.
  2. BTL600 automatically goes into AUX mode and will begin playing the music from the audio source.
  3. The Bluetooth mode will be terminated when using AUX mode.
- 5. Volume control and track switch**
  1. Long press "+" to increase volume; long press "-" to decrease volume.
  2. Short press "+" to next track; short press "-" to previous track.
- 6. Turn on and turn off the specular lights**
  1. Switch the light-control button to turn the specular lights on or off.

### Turn on the speakers

- 1. Connect the AC power adapter**
- 2. AUX mode**
- 3. Switch to turn on the power**
- 4. BLUETOOTH mode**

REMEMBER to unplug the audio cable before switch to Bluetooth mode.