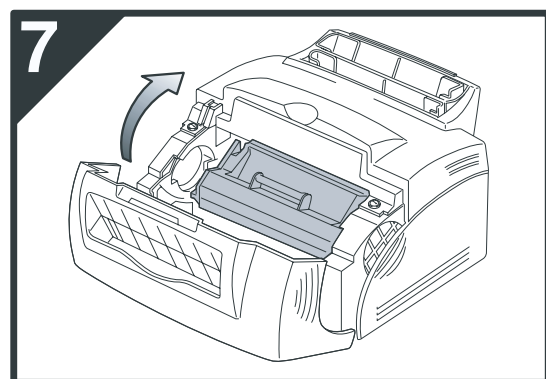
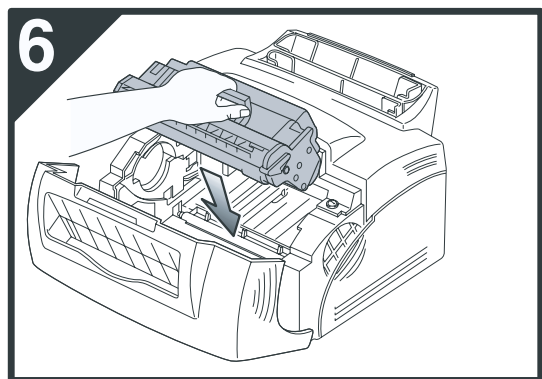
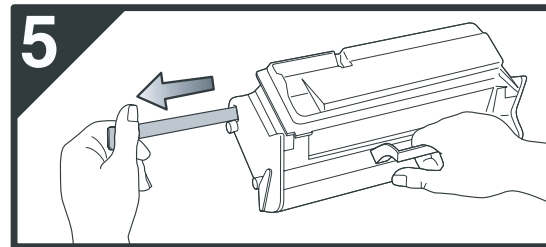
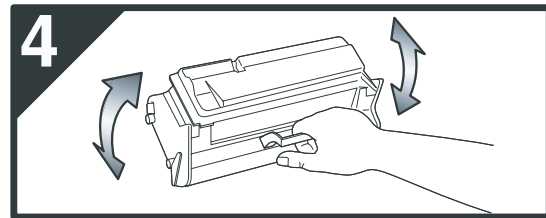
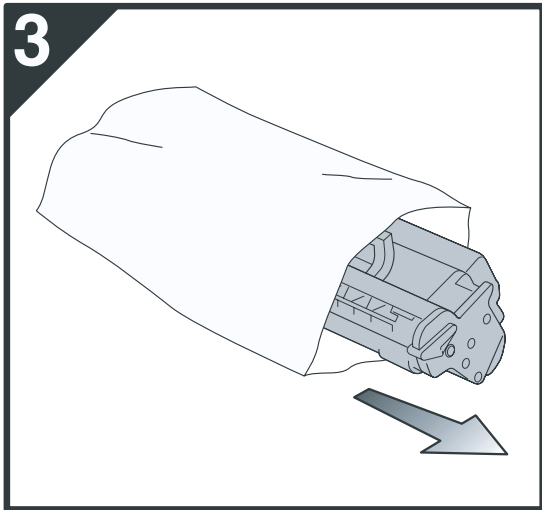
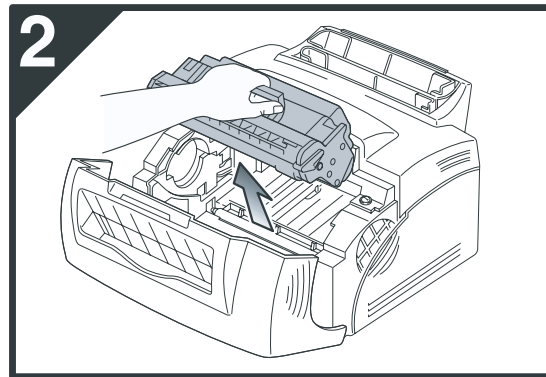
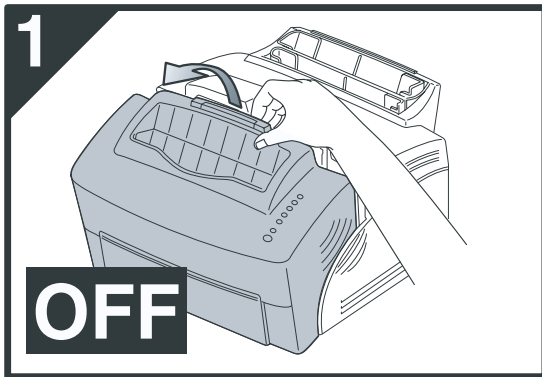
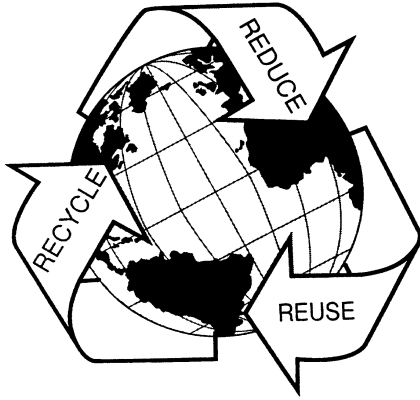


# Compatible Toner Cartridge Installation Instructions for Lexmark® Optra e310/312

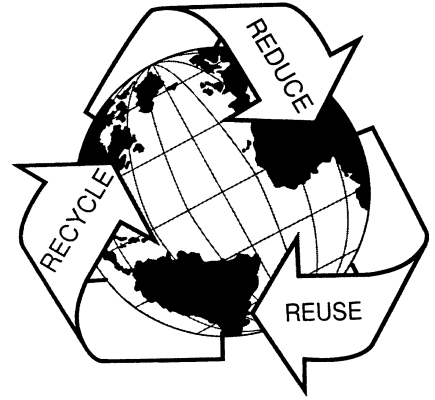
Instructions D'installation Des Cartouches A Toner Compatibles  
Lexmark® Optra e310/312



Refer to your printer manual for maintenance and complete installation instructions



# RECYCLING INSTRUCTIONS



Thank you for recycling. By returning your empty cartridge to us for remanufacturing not only do you save money but you also help protect the environment. Every cartridge that you recycle is 1 less non-biodegradable item occupying space in our landfills.

1. Place your empty cartridge and used cleaning pad in the storage bag that came with your new cartridge.
2. Place the bagged empty cartridge in the cardboard insert located in your new box.
3. Remove any existing labels from the carton. Complete the UPS shipping label provided in your recycling packet by writing your company name and address in the designated area.
4. Apply the UPS label to the center of the carton flap.

**NOTE:** *If you are returning 1 laser toner cartridge place the UPS label on the top of the individual carton. If you are returning 8 or more cartridges place the UPS label on the master carton. On returns of 8 or more, master cartons are available. For more information contact your local distributor.*

5. Give the carton to the UPS delivery person.