



Room Air Conditioner

SVC MANUAL(Exploded View)

MODEL : AS-W093E*H0 (LAN095HV / LAU095HV)
AS-W123E*H0 (LAN125HV / LAU125HV)

CAUTION

Before Servicing the unit, read the safety precautions in General SVC manual.
Only for authorized service personnel.

1. Specification

Models		AS-W093ERH0 [LA095HV]	AS-W123ERH0 [LA125HV]	
Cooling Capacity (Min_Rating_Max)		kW	0.90~2.70~3.70	
		Btu/h	3,070~9,200~12,620	
Heating Capacity(Min_Rating_Max)		kW	0.90~3.52~5.00	
		Btu/h	3,070~12,000~17,060	
Power Input	Cooling/Heating	W	690/915	
Running Current	Cooling/Heating	A	3.2/4.2	
Starting Current	Cooling/Heating	A	3.2/4.2	
EER		WW	3.91	
		Btu/h.W	13.3	
COP		WW	3.85	
Power Supply		Ø / V / Hz	1/208-230/60	
Power Factor		%	94	
Air Flow Rate	Indoor,Max	m³/min(cfm)	8.5(300)	
	Outdoor,Max	m³/min(cfm)	29(1,024)	
Moisture Removal		l/h	0.6	
Sound Level	Indoor,H/M/L	dB(A)+3	36/33/30	
	Outdoor,Max	dB(A)+3	48	
Refrigerant & Charge(at 7.5m)		g(oz)	R410A, 1,000(35.3)	
Additional Refrigerant Charge		g(m/ozft)	20(0.22)	
Compressor	Type		Rotary	
	Model		5RS102XAA21	
	Motor Type		BLDC	
	Oil Type		FV50S	
	Oil Charge	cc	320	
	O.L.P Name		-	
Fan(Indoor)	Type		Cross Flow Fan	
	Motor Output	W	20	
Fan(outdoor)	Type		Propeller	
	Motor Type		BLDC	
	Motor Output	W	43	
Circuit Breaker*		A	15	
Power Supply Cable		NEC	14	
Power and Transmission Cable		NEC	18	
Piping Connections	Liquid Side	mm(in)	6.35(1/4)	
	Gas Side	mm(in)	9.52(3/8)	
Drain Hose	O.D , I.D	mm(in)	21.5,16.0(0.85,0.63)	
Dimension	Indoor(W*H*D)	mm	912*282*165	
	inch		35.9*11.1*6.5	
	Outdoor(W*H*D)	mm	770*545*245	
	inch		30.3*21.5*9.6	
Net Weight	Indoor	kg(lbs)	9.5(20.9)	
	Outdoor	kg(lbs)	35(77.2)	
Operation Range	Cooling(Outdoor)	°C(°F)	-10 ~ 46 (14.0~114.8)(Low Ambient)	
	Heating(Outdoor)	°C(°F)	-15 ~ 24 (5.0 ~ 75.2)	
Max. Piping Length		m(ft)	15(49)	
Max. Elevation Difference		m(ft)	7(23)	
Tool Code(Chassis)	Indoor + Outdoor		SE1 + UL	
Functions	Temperature Control		Thermistor	
	Plasma Filter		NEO	
	Prefilter(washable/anti-fungus)		O	
	Auto Clean		O	
	CHAOS Wind(Auto Wind)		O	
	Steps, Fan/Cool/Heat		3/4/4	
	Airflow Direction Control(up&down)		Auto	
	Airflow Direction Control(left&right)		Auto	
	Remoon Type		Wireless LCD	
	Setting Temperature Range	Cooling [°C (°F)]		18~30 (64~86)
		Heating [°C (°F)]		16~30 (60~86)
	Auto Operation (Micom Control)		-	
	Auto Changeover (Micom Control)		O	
	Self Diagnosis		O	
	Timer		24h On/Off	
	Sleep Operation		O	
	Soft Dry Operation		O	
	Restart Delay(minute)		2	
	Deice Control(Defrost)		O	
	Hot Start		O	
	Jet Cool / Heat		O/O	
	Low Ambient Operation		O	
	Special Function		-	
Network Functions	Dry Contact		-	
	Network Solution(LGAP)		-	
	P1485		-	

Note:

O : Applied, - : No relation

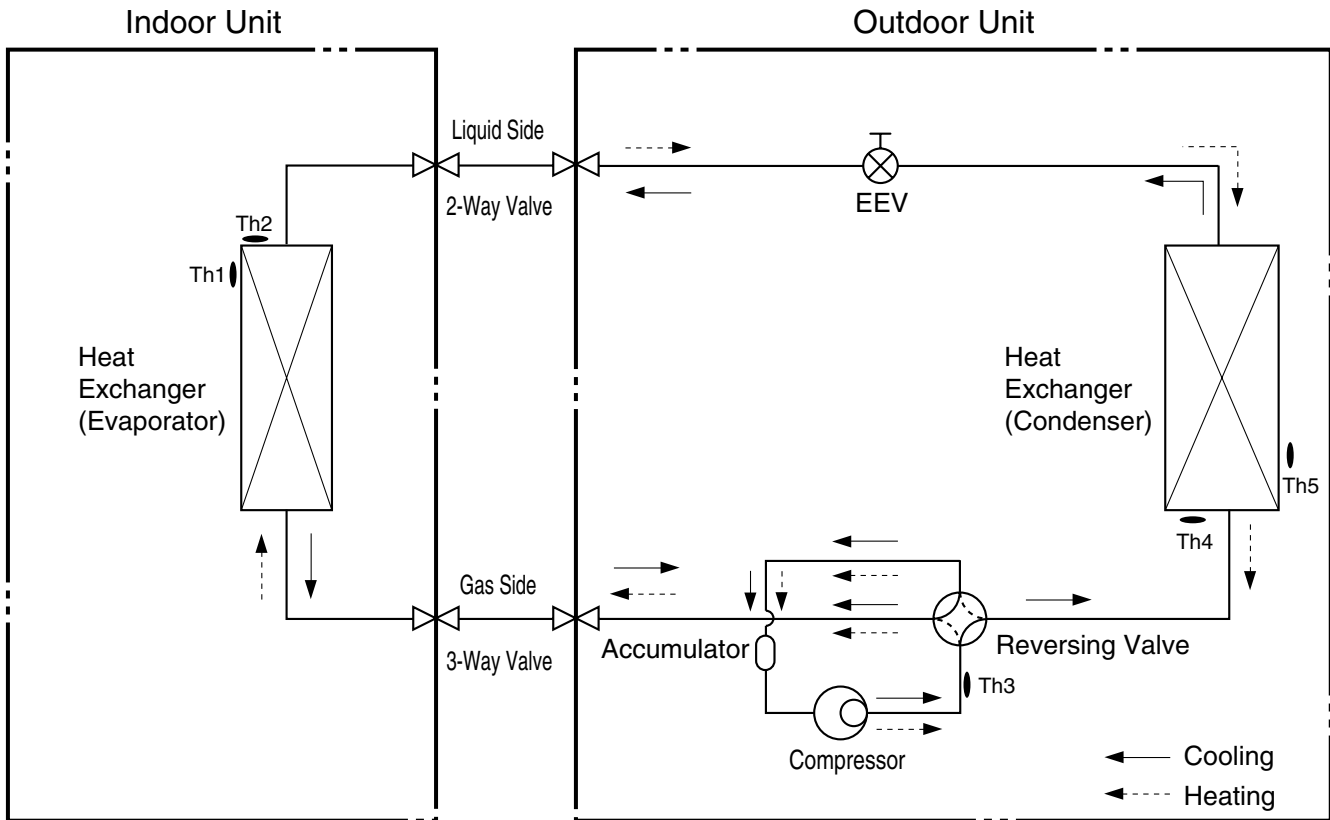
* For circuit breaker rating, please conform to local standards wherever necessary.

※ Some of functions are slightly different depending upon models.

※ The specification may be subject to change without prior notice for purpose of improvement.

※ Capacity : based on 230V

2. Piping Diagrams

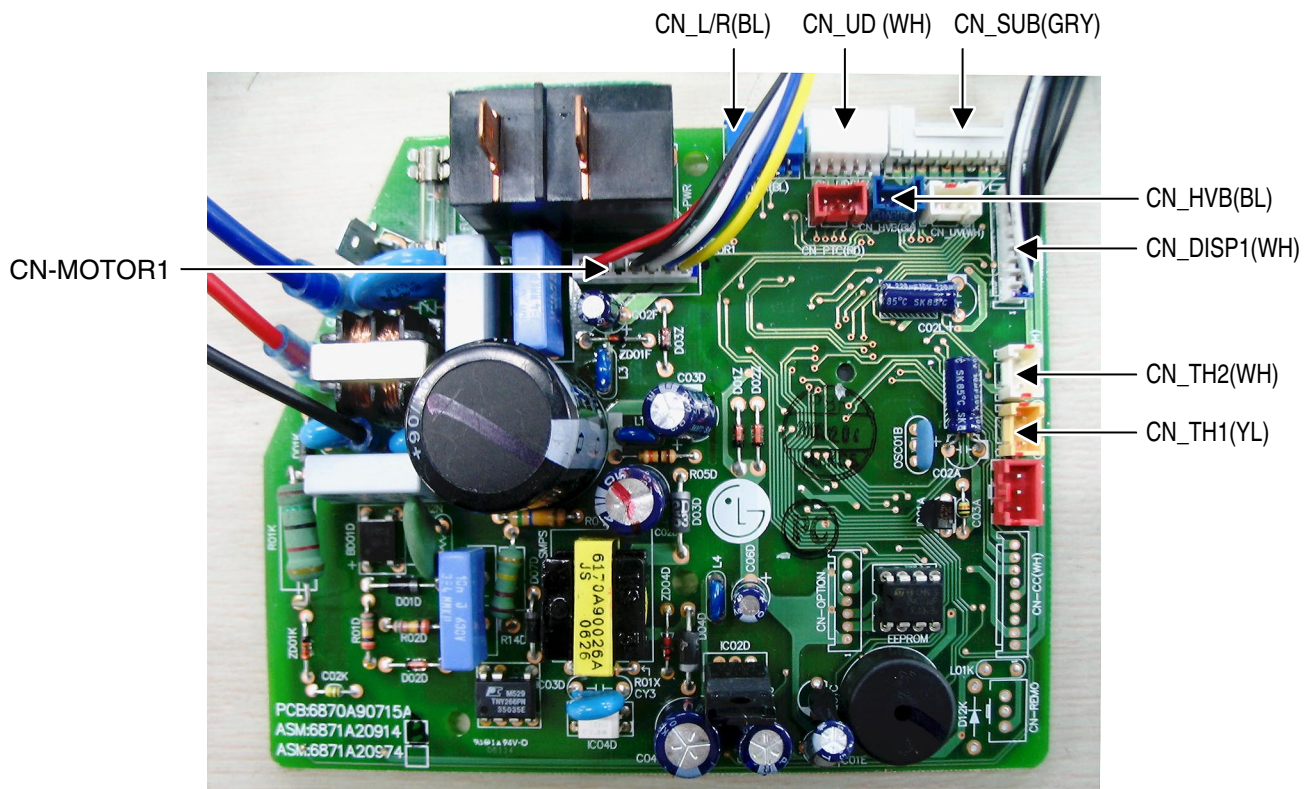
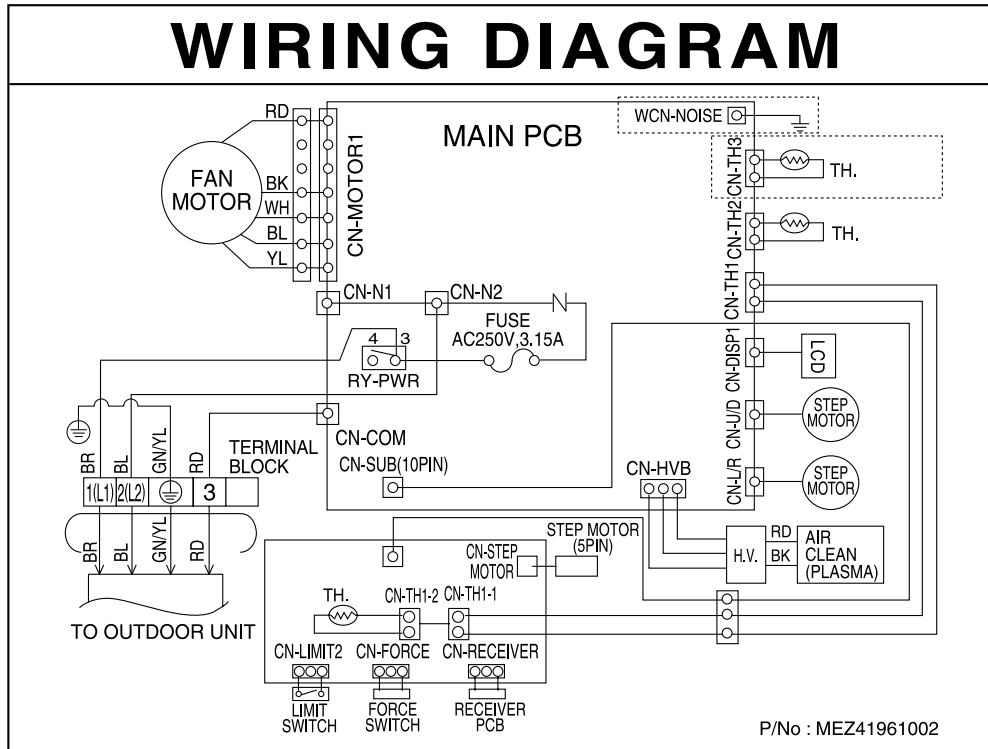


LOC.	Description	PCB Connector
Th1	Thermistor for indoor air temperature	CN_TH1(INDOOR)
Th2	Thermistor for evaporating temperature	CN_TH2(INDOOR)
Th3	Thermistor for discharge pipe temperature	CN_D_PIPE(OUTDOOR)
Th4	Thermistor for condensing temperature	CN_TH1(OUTDOOR)
Th5	Thermistor for outdoor air temperature	

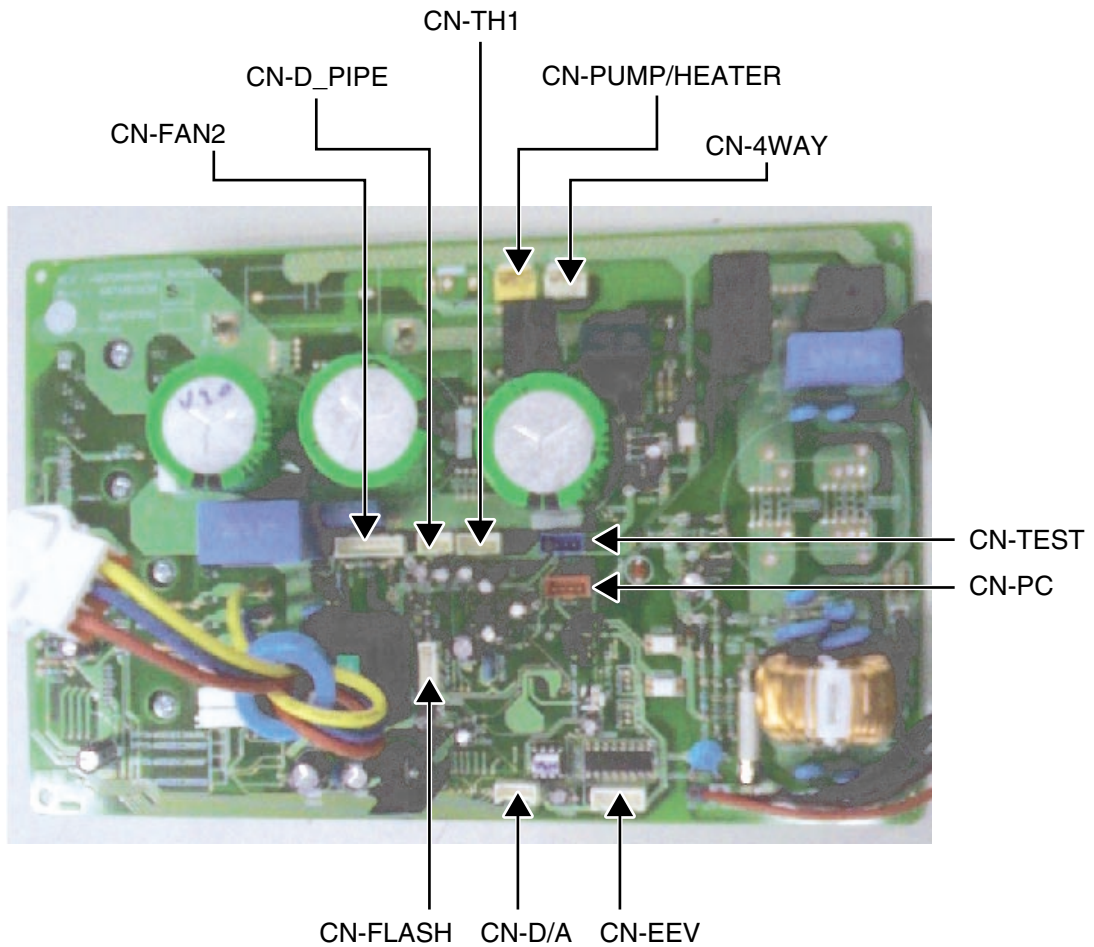
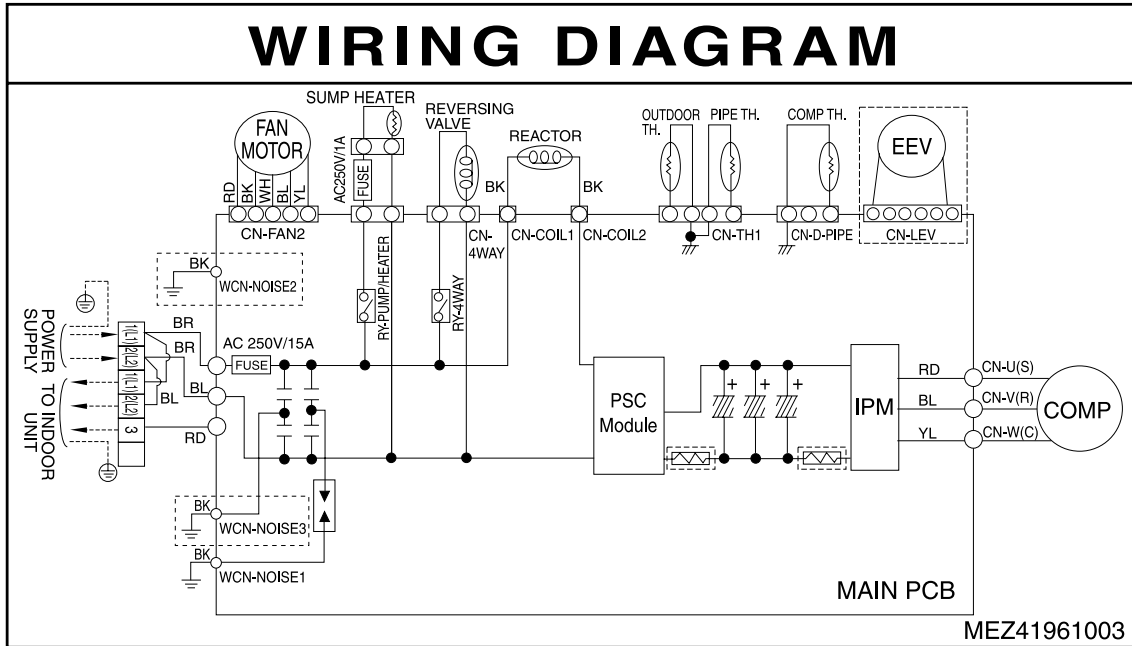
* EEV : Electronic Expansion Valve.

3. Wiring Diagrams

Indoor Unit

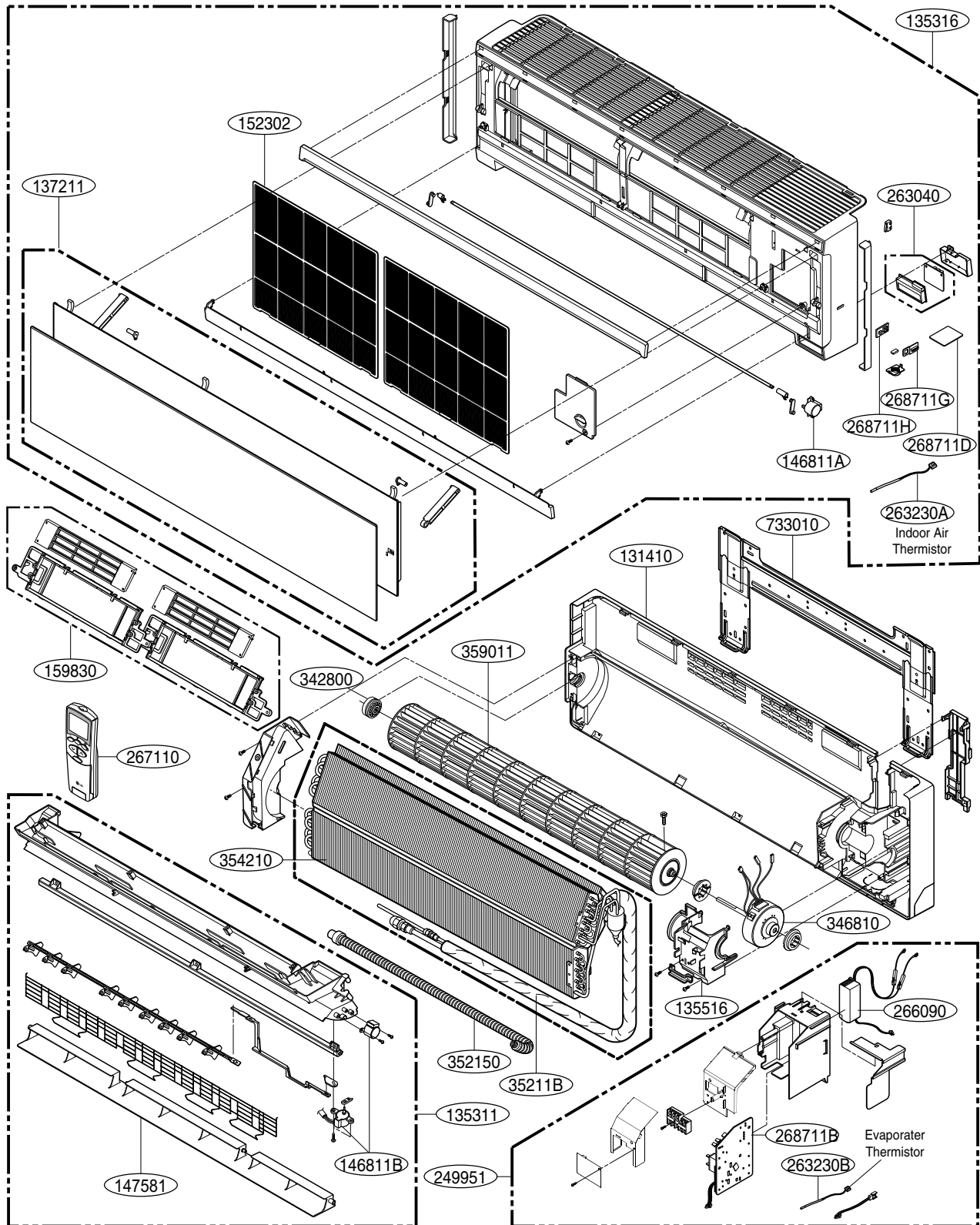


Outdoor Unit



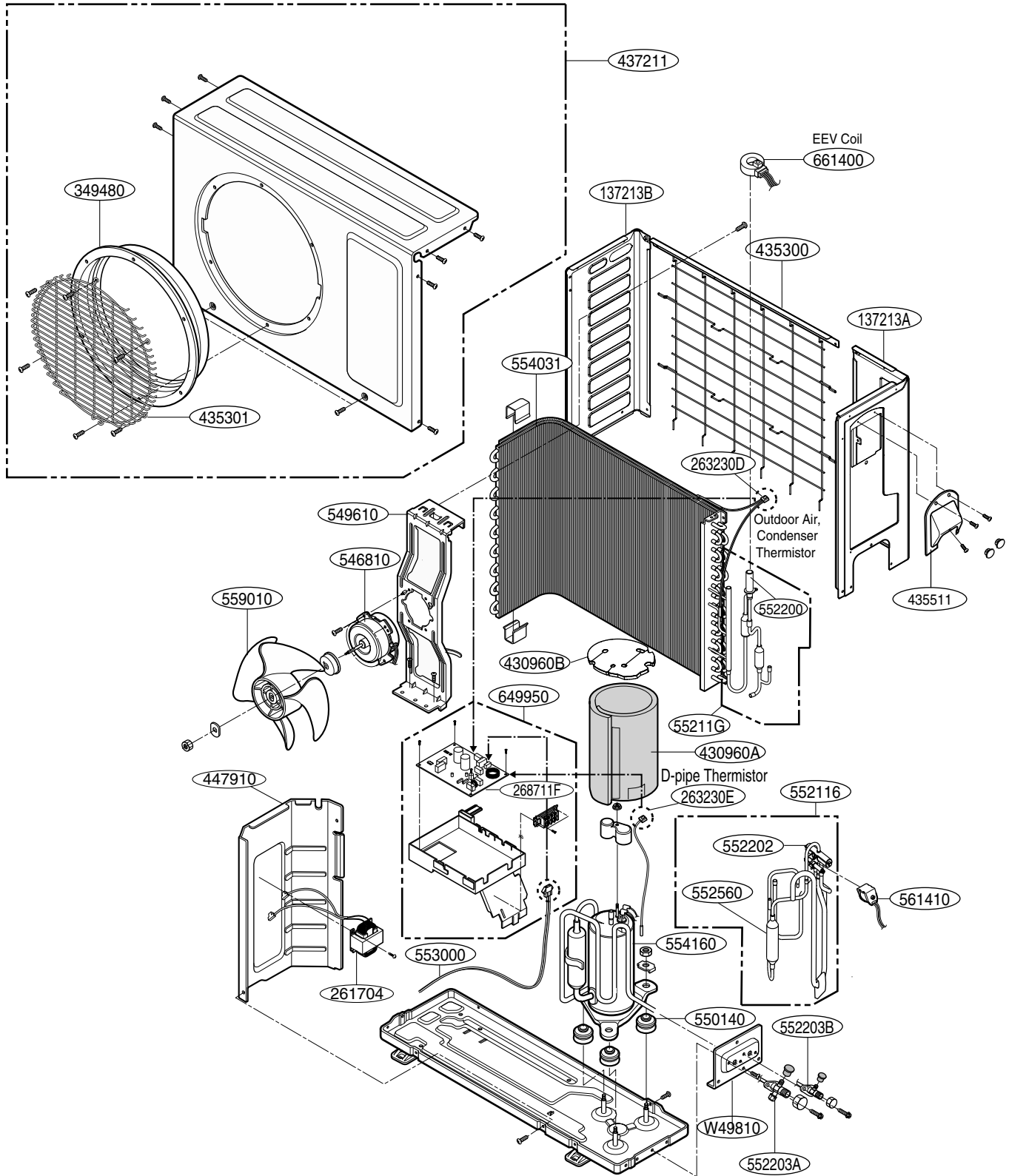
4. Exploded View

Indoor Unit



Note) * Please ensure GCSC since the replacement parts may be changed depending upon the buyer's request.
Please check the correct parts in View RPL(Replacement Part List) on GCSC.
(GCSC Website <http://biz.Lgservice.com>.)

Outdoor Unit



Note) * Please ensure GCSC since the replacement parts may be changed depending upon the buyer's request.
 Please check the correct parts in View RPL(Replacement Part List) on GCSC.
 (GCSC Website <http://biz.Lgservice.com>.)



P/NO : MFL42286406

January, 2008