



WEBSITE <http://biz.LGservice.com>
E-MAIL <http://www.LGservice.com/techsup.html>

Room Air Conditioner

SERVICE MANUAL

CAUTION

- BEFORE SERVICING THE UNIT, READ THE SAFETY PRECAUTIONS IN THIS MANUAL.
- ONLY FOR AUTHORIZED SERVICE PERSONNEL.

**MODEL : LS-Q076ABL/BBG/BEL/ABG
LS-Q096ABL/BBG/BEL/AEL
LS-Q096ACG/ADG/ADL/BDL
LS-Q096AHG/ABG/ABM/AEM
LS-Q096BAG/BDG
LS-Q096ACL/AAG
LS-Q082BAG/BAM
LS-Q082AAL/ACG/ACL/ACM
LS-H096QNA0
LS-Q096BEG
LS-C082QMA0/QNA0
LS-C096QLA0/QNA0
LS-C096QGL0
LS-H096QGL1**

Contents

Details of LG Model Name(2002)	3
Details of LG Model Name(2003)	4
Functions	5
Product References	8
Dimensions	10
Refrigeration Cycle Diagram	13
Wiring Diagram	14
Operation Details	15
Display Function	22
Self-diagnosis Function	22
Installation	23
Operation	34
Disassembly of the parts (Indoor Unit)	36
2-way, 3-way Valve	39
Cycle Troubleshooting Guide	46
Electronic Parts Troubleshooting Guide	47
Electronic Control Device	54
Schematic Diagram	59
Exploded View and Replacement Parts List	64

Details of LG Model Name(2002)

1	2	-	3	4	5	6	7	8	9
---	---	---	---	---	---	---	---	---	---

Code	Type	Code of Model	Meaning																																																																																				
1,2	Type of Airconditioner	A~Z	LS: LG Split Type Airconditioner																																																																																				
3	Chassis	A~Z	Name of toll of Unit Ex. LS-R → S R Chassis																																																																																				
4,5	Capacity(Btu/h)	1~9	Cooling/Heating Capacity Ex. "09" → 9,000Btu/h																																																																																				
6	Electric Range	1~9	Electric Standard 1 → 115V/60Hz 6 → 220~240V/50Hz 2 → 220V/60Hz 7 → 110V, 50/60Hz 3 → 208~230V/60Hz 8 → 380~415V/50Hz 5 → 200~220V/50Hz 9 → 380~415V/60Hz																																																																																				
7	Serial No.	0~9 A~Z	<table border="1"> <thead> <tr> <th>Basic</th> <th>A</th> <th>0</th> </tr> </thead> <tbody> <tr><td>Plasma Filter</td><td>B</td><td>1</td></tr> <tr><td>Auto Swing + Plasma Filter</td><td>C</td><td>2</td></tr> <tr><td>Telephone + LED Display</td><td>D</td><td>3</td></tr> <tr><td>Telephone + LCD Display</td><td>E</td><td>4</td></tr> <tr><td>Auto Swing + Plasma Filter + Telephone + LCD</td><td>F</td><td>5</td></tr> <tr><td>Low Ambient + Ambient/change</td><td>G</td><td>6</td></tr> <tr><td>Plasma Filter + Low Ambient + Ambient/change</td><td>H</td><td>7</td></tr> <tr><td>Internet</td><td>J</td><td>8</td></tr> <tr><td>Auto Swing + Plasma Filter + Oxygen Generator</td><td>K</td><td>9</td></tr> <tr><td>Auto Swing + Soft Start</td><td>L</td><td>Z</td></tr> <tr><td>Auto Swing + Star Rating</td><td>M</td><td>Y</td></tr> <tr><td>Auto Swing + Star Rating + Plasma Filter</td><td>N</td><td>X</td></tr> <tr><td>Auto Swing + Soft Start + Star Rating</td><td>P</td><td>W</td></tr> <tr><td>Auto Swing + Soft Start + Star Rating 4 + Plasma</td><td>Q</td><td>V</td></tr> <tr><td>Auto Swing + Telephone + LCD</td><td>R</td><td>U</td></tr> <tr><td>Auto Swing + Telephone + LCD + Soft Start</td><td>S</td><td>T</td></tr> </tbody> </table>	Basic	A	0	Plasma Filter	B	1	Auto Swing + Plasma Filter	C	2	Telephone + LED Display	D	3	Telephone + LCD Display	E	4	Auto Swing + Plasma Filter + Telephone + LCD	F	5	Low Ambient + Ambient/change	G	6	Plasma Filter + Low Ambient + Ambient/change	H	7	Internet	J	8	Auto Swing + Plasma Filter + Oxygen Generator	K	9	Auto Swing + Soft Start	L	Z	Auto Swing + Star Rating	M	Y	Auto Swing + Star Rating + Plasma Filter	N	X	Auto Swing + Soft Start + Star Rating	P	W	Auto Swing + Soft Start + Star Rating 4 + Plasma	Q	V	Auto Swing + Telephone + LCD	R	U	Auto Swing + Telephone + LCD + Soft Start	S	T																																	
Basic	A	0																																																																																					
Plasma Filter	B	1																																																																																					
Auto Swing + Plasma Filter	C	2																																																																																					
Telephone + LED Display	D	3																																																																																					
Telephone + LCD Display	E	4																																																																																					
Auto Swing + Plasma Filter + Telephone + LCD	F	5																																																																																					
Low Ambient + Ambient/change	G	6																																																																																					
Plasma Filter + Low Ambient + Ambient/change	H	7																																																																																					
Internet	J	8																																																																																					
Auto Swing + Plasma Filter + Oxygen Generator	K	9																																																																																					
Auto Swing + Soft Start	L	Z																																																																																					
Auto Swing + Star Rating	M	Y																																																																																					
Auto Swing + Star Rating + Plasma Filter	N	X																																																																																					
Auto Swing + Soft Start + Star Rating	P	W																																																																																					
Auto Swing + Soft Start + Star Rating 4 + Plasma	Q	V																																																																																					
Auto Swing + Telephone + LCD	R	U																																																																																					
Auto Swing + Telephone + LCD + Soft Start	S	T																																																																																					
8	Cooling/Heating	A~Z	<table border="1"> <thead> <tr> <th colspan="2">UNIT</th> <th colspan="4">R22</th> <th colspan="2">HFC</th> <th colspan="2">R22+AC INV.</th> <th>HFC+AC INV.</th> <th>HFC+DC INV.</th> </tr> <tr> <th>INDOOR</th> <th>OUTDOOR</th> <th>C/O</th> <th>H/P</th> <th>E/H+C/O</th> <th>E/H+H/P</th> <th>C/O</th> <th>H/P</th> <th>C/O</th> <th>H/P</th> <th>H/P</th> <th>H/P</th> </tr> </thead> <tbody> <tr> <td>BASIC</td> <td>BASIC</td> <td>C</td> <td>H</td> <td>X</td> <td>Y</td> <td>F</td> <td>R</td> <td>V</td> <td>N</td> <td></td> <td></td> </tr> <tr> <td>BASIC</td> <td>GOLD FIN</td> <td>A</td> <td>B</td> <td>5</td> <td>6</td> <td>M</td> <td>P</td> <td>W</td> <td>Y</td> <td>T</td> <td>U</td> </tr> <tr> <td>PLASMA</td> <td>GOLD FIN</td> <td>D</td> <td>E</td> <td>7</td> <td>8</td> <td>Q</td> <td>S</td> <td>1</td> <td>2</td> <td></td> <td></td> </tr> <tr> <td>PLASMA</td> <td>BASIC</td> <td>G</td> <td>J</td> <td>-</td> <td>-</td> <td>-</td> <td>-</td> <td>3</td> <td>4</td> <td></td> <td></td> </tr> <tr> <td>GOLD FIN</td> <td>GOLD FIN</td> <td>K</td> <td>L</td> <td>-</td> <td>-</td> <td>-</td> <td>-</td> <td></td> <td></td> <td></td> <td></td> </tr> </tbody> </table>	UNIT		R22				HFC		R22+AC INV.		HFC+AC INV.	HFC+DC INV.	INDOOR	OUTDOOR	C/O	H/P	E/H+C/O	E/H+H/P	C/O	H/P	C/O	H/P	H/P	H/P	BASIC	BASIC	C	H	X	Y	F	R	V	N			BASIC	GOLD FIN	A	B	5	6	M	P	W	Y	T	U	PLASMA	GOLD FIN	D	E	7	8	Q	S	1	2			PLASMA	BASIC	G	J	-	-	-	-	3	4			GOLD FIN	GOLD FIN	K	L	-	-	-	-				
UNIT		R22				HFC		R22+AC INV.		HFC+AC INV.	HFC+DC INV.																																																																												
INDOOR	OUTDOOR	C/O	H/P	E/H+C/O	E/H+H/P	C/O	H/P	C/O	H/P	H/P	H/P																																																																												
BASIC	BASIC	C	H	X	Y	F	R	V	N																																																																														
BASIC	GOLD FIN	A	B	5	6	M	P	W	Y	T	U																																																																												
PLASMA	GOLD FIN	D	E	7	8	Q	S	1	2																																																																														
PLASMA	BASIC	G	J	-	-	-	-	3	4																																																																														
GOLD FIN	GOLD FIN	K	L	-	-	-	-																																																																																
9	LG/OEM Brand	A~Z	L: LG Brand M: 1st OEM Brand G: 2nd LG Brand N: 2nd OEM Brand																																																																																				

Details of LG Model Name(2003)~

1	2	-	3	4	5	6	7	8	9	10
---	---	---	---	---	---	---	---	---	---	----

Code	Type	Code of Model	Meaning																																									
1	Producing Center, Refrigerant	A~Z	L: Chang-won R22 A: Chang-won R410A C: Chang-won R407C T: China K: Turkey R22 E: Turkey R410A H: Thailand	N: India Z: Brazil D: Indonesia M: Mexico V: Vietnam S: Out Sourcing																																								
2	Product Type	A~Z	S: Split Type Air Conditioner																																									
3	Cooling/Heating/Inverter	A~Z	C: Cooling only H: Heat pump X: C/O + E/Heater Z: H/P + E/Heater	V: AC Inverter C/O N: AC Inverter H/P Q: DC Inverter C/O W: DC Inverter H/P																																								
4, 5	Capacity	0~9	Cooling/Heating Capacity Ex. "09" → 9,000 Btu/h																																									
6	Electric Range	1~9 A~Z	1: 115V/60Hz, 2: 220V/60Hz 3: 208-230V/60Hz 5: 200-220V/50Hz 6: 220-240V/50Hz 7: 110V, 50/60Hz 8: 380-415V/50Hz 9: 380-415V/60Hz	A: 220V, 50Hz, 3Phase B: 208~230V, 60Hz, 3Phase C: 575V, 50Hz, 3Phase D: 440~460, 60Hz, 3Phase E: 265V, 60Hz F: 200V, 50/60Hz																																								
7	Chassis	A~Z	Name of Chassis of Unit Ex. LSP → SP Chassis																																									
8	Look	A~Z	Look, Color (Artcool Model)																																									
9	Function	A~Z	<table border="1"> <tr><td>Basic</td><td>A</td></tr> <tr><td>Basic+4Way</td><td>B</td></tr> <tr><td>Plasma Filter</td><td>C</td></tr> <tr><td>Plasma Filter+4 Way</td><td>D</td></tr> <tr><td>Tele+LCD</td><td>E</td></tr> <tr><td>Tele+LCD+Nano plasma+4Way</td><td>F</td></tr> <tr><td>Nano Plasma F+(A/changeove)+A/clean+Low A</td><td>G</td></tr> <tr><td>Nano Plasma F+(A/changeove)+A/clean+4way+Low A</td><td>H</td></tr> <tr><td>Tele+LED+4way</td><td>I</td></tr> <tr><td>Internet</td><td>J</td></tr> <tr><td>Plasma F+4Way+Oxy generator</td><td>K</td></tr> <tr><td>Nano Plasma F+(A/changeove)+A/clean</td><td>L</td></tr> <tr><td>Nano Plasma F+(A/changeove)+A/clean+4way</td><td>M</td></tr> <tr><td>Nano Plasma F+(A/changeove)+A/clean+PTC</td><td>N</td></tr> <tr><td>Nano Plasma F+(A/changeove)+Autoclean+4way+PTC</td><td>P</td></tr> <tr><td>Nano Plasma F+(A/changeove)+A/clean+4way+Low A+PTC</td><td>Q</td></tr> <tr><td>Negative ION+A/Clean</td><td>R</td></tr> <tr><td>(Nano)Plasma+Negative ION+A/Clean</td><td>S</td></tr> <tr><td>4way+(Nano)Plasma F+Negative ION+Healthy dehumidification+A/Clean</td><td>T</td></tr> <tr><td>Nano Plasma F+4Way+(A/changeove)+A/clean+</td><td>U</td></tr> </table>		Basic	A	Basic+4Way	B	Plasma Filter	C	Plasma Filter+4 Way	D	Tele+LCD	E	Tele+LCD+Nano plasma+4Way	F	Nano Plasma F+(A/changeove)+A/clean+Low A	G	Nano Plasma F+(A/changeove)+A/clean+4way+Low A	H	Tele+LED+4way	I	Internet	J	Plasma F+4Way+Oxy generator	K	Nano Plasma F+(A/changeove)+A/clean	L	Nano Plasma F+(A/changeove)+A/clean+4way	M	Nano Plasma F+(A/changeove)+A/clean+PTC	N	Nano Plasma F+(A/changeove)+Autoclean+4way+PTC	P	Nano Plasma F+(A/changeove)+A/clean+4way+Low A+PTC	Q	Negative ION+A/Clean	R	(Nano)Plasma+Negative ION+A/Clean	S	4way+(Nano)Plasma F+Negative ION+Healthy dehumidification+A/Clean	T	Nano Plasma F+4Way+(A/changeove)+A/clean+	U
Basic	A																																											
Basic+4Way	B																																											
Plasma Filter	C																																											
Plasma Filter+4 Way	D																																											
Tele+LCD	E																																											
Tele+LCD+Nano plasma+4Way	F																																											
Nano Plasma F+(A/changeove)+A/clean+Low A	G																																											
Nano Plasma F+(A/changeove)+A/clean+4way+Low A	H																																											
Tele+LED+4way	I																																											
Internet	J																																											
Plasma F+4Way+Oxy generator	K																																											
Nano Plasma F+(A/changeove)+A/clean	L																																											
Nano Plasma F+(A/changeove)+A/clean+4way	M																																											
Nano Plasma F+(A/changeove)+A/clean+PTC	N																																											
Nano Plasma F+(A/changeove)+Autoclean+4way+PTC	P																																											
Nano Plasma F+(A/changeove)+A/clean+4way+Low A+PTC	Q																																											
Negative ION+A/Clean	R																																											
(Nano)Plasma+Negative ION+A/Clean	S																																											
4way+(Nano)Plasma F+Negative ION+Healthy dehumidification+A/Clean	T																																											
Nano Plasma F+4Way+(A/changeove)+A/clean+	U																																											
10	Serial No.	1~9	LG Model Development Serial No. * ARTCOOL COLOR <table border="1"> <tr><td>R</td><td>Mirror</td></tr> <tr><td>W</td><td>White</td></tr> <tr><td>B</td><td>Blue</td></tr> <tr><td>D</td><td>Wood</td></tr> <tr><td>M</td><td>Metal</td></tr> <tr><td>C</td><td>Cherry</td></tr> </table>		R	Mirror	W	White	B	Blue	D	Wood	M	Metal	C	Cherry																												
R	Mirror																																											
W	White																																											
B	Blue																																											
D	Wood																																											
M	Metal																																											
C	Cherry																																											

Functions

Indoor Unit

Operation ON/OFF by Remote controller

Sensing the Room Temperature

- Room temperature sensor. (THERMISTOR)

Room temperature control

- Maintains the room temperature in accordance with the Setting Temp.

Starting Current Control

- Indoor fan is delayed for 5 sec at the starting.

Time Delay Safety Control

- Restarting is inhibited for approx. 3 minutes.

Indoor Fan Speed Control

- High, Med, Low, CHAOS, JET COOL

Operation indication Lamps (LED)

- ⓪ --- Lights up in operation
- ☆ --- Lights up in Sleep Mode
- ⌚ --- Lights up in Timer Mode
- ✱ --- Lights up in Defrost Mode (for Heating Model)

OUTDOOR--- Lights up in compressor operation (for Cooling Model)

PLASMA))) --- The function illustrates its dynamic mode by using a multiple lighting system.

() →)) →))) →) →)) →))) →) →)) →))))

☎ --- Lights up in Telephone Control operation.

Soft Dry Operation Mode

- Intermittent operation of fan at low speed.

Sleep Mode Auto Control

- The fan is switched to low(Cooling), med(Heating) speed.
- The unit will be stopped after 1, 2, 3, 4, 5, 6, 7 hours.

Natural Air Control by CHAOS Logic

- The fan is switched to intermittent or irregular operation
- The fan speed is automatically switched from high to low speed.

Airflow Direction Control

- The louver can be set at the desired position or swing up and down automatically.

PLASMA

- The function will be operated while in any operation mode with selecting the function.
- The function is to be stopped while it is operating with selecting the function.

Defrost(Deice) control (Heating)

- Both the indoor and outdoor fan stops during defrosting.

Hot-start Control (Heating)

- The indoor fan stops until the evaporator pipe temperature will be reached at 28°C.

Remote Control

Operation ON/OFF



Operation Mode Selection



(Cooling model only)



(Heating model only)

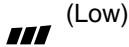
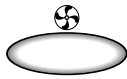
Cooling Operation Mode.(*)

Auto Operation Mode.(▲)

Healthy Dehumidification Operation Mode.(◇)

Heating Operation Mode.(☼)

Fan Speed Selection



(Low)



(Med)



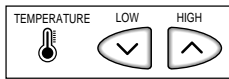
(High)

Room, Temperature Checking



: (High:39°C ←→ Low:11°C)

Temperature Setting



Cooling — Down to 18°C
Up to 30°C

Heating — Down to 16°C
Up to 30°C

JET COOL



PLASMA(Optional)



Setting the Time or Timer



Timer Selection



: OFF, ON, OFF ←→ ON

Timer Setting



Timer Cancel



: Cancel Sleep Mode, Timer ON or Timer OFF

Sleep Operation



: 1, 2, 3, 4, 5, 6, 7, Off Timer

Airflow Direction Control



Air Circulation



: Fan Operates without cooling or heating.

Horizontal Airflow Direction Control Button(Optional)



2nd F



Reset

● RESET

Product References

Item		Model Name		LS-Q076BBG LS-Q076BEL LS-Q076ABL LS-Q076ABG	LS-Q096BAG, LS-Q096ACG LS-Q096ACL, LS-Q096AAL LS-Q096ADG, LS-Q096ADL LS-Q096BDG, LS-Q096BDL LS-Q096AAG	LS-Q096BBG, LS-Q096BEL LS-Q096AHG, LS-Q096ABL LS-Q096ABG, LS-Q096AEL LS-Q096ABM, LS-Q096AEM LS-Q096BEG	LS-Q082BAG/BAM LS-Q082AAL/ACG LS-Q082ACL/ACM	LS-H096QNA0
		Unit						
Cooling Capacity		Btu/h	7,000	9,000	9,000	8,000	8,500	
Heating Capacity			7,300	-	9,300	-	8,750	
Moisture Removal		l/h	1.0	1.0	1.0	1.0	1.0	
Power Source		Ø, V, Hz	1Ø, 220-240V, 50Hz	1Ø, 220-240V, 50Hz	1Ø, 220-240V, 50Hz	1Ø, 220V, 60Hz	1Ø, 220-240V, 50Hz	
Air Circulation	Indoor	m³/min	5.9	6	6	6	6	
	Outdoor		20	20	25	20	25	
Noise Level	Indoor	dB (A)±3	34	36	36	36	36	
	Outdoor		48	48	48	48	48	
Input	Cooling	W	660	900	900	650	950	
	Heating		640	-	870	-	860	
Running Current	Cooling	A	3.0	4.0	3.9	3.0	4.2	
	Heating		2.9	-	3.8	-	3.8	
E.E.R.	Cooling	Btu/hW	10.6	10	10	10	8.9	
C.O.P	Heating		3.3	-	3.13	-	2.8	
Motor Output	Indoor	W	5	5.7	5.7	7.6	8.4	
	Outdoor		14	14.5	14.5	18.7	13.6	
Dimensions (W x H x D)	Indoor	mm	824 x 260 x 155	824 x 260 x 155	824 x 260 x 155	824 x 260 x 155	824 x 260 x 155	
	Outdoor		525 x 564 x 265	525 x 564 x 265	770 x 540 x 245	525 x 564 x 265	770 x 540 x 245	
Net. Weight	Indoor	kg	7	7	7	7	7	
	Outdoor		23	23	33	23	23	
Refrigerant		g	610(R22)	530(R22)	640(R22)	630(R22)	680(R22)	
Airflow Direction Control (Up & Down)			○	○	○	○	○	
Remocon Type			L.C.D Wireless	L.C.D Wireless	L.C.D Wireless	L.C.D Wireless	L.C.D Wireless	
Service Valve	Liquid	inch(mm)	1/4" (6.35)	1/4" (6.35)	1/4" (6.35)	1/4" (6.35)	1/4" (6.35)	
	Gas		3/8" (9.52)	3/8" (9.52)	3/8" (9.52)	3/8" (9.52)	3/8" (9.52)	
Sleeping Operation			○	○	○	○	○	
Drain Hose			○	○	○	○	○	
Connecting Cable			0.75mm²	0.75mm²	0.75mm²	0.75mm²	0.75mm²	
Power Cord			0.75mm²	0.75mm²	0.75mm²	0.75mm²	0.75mm²	

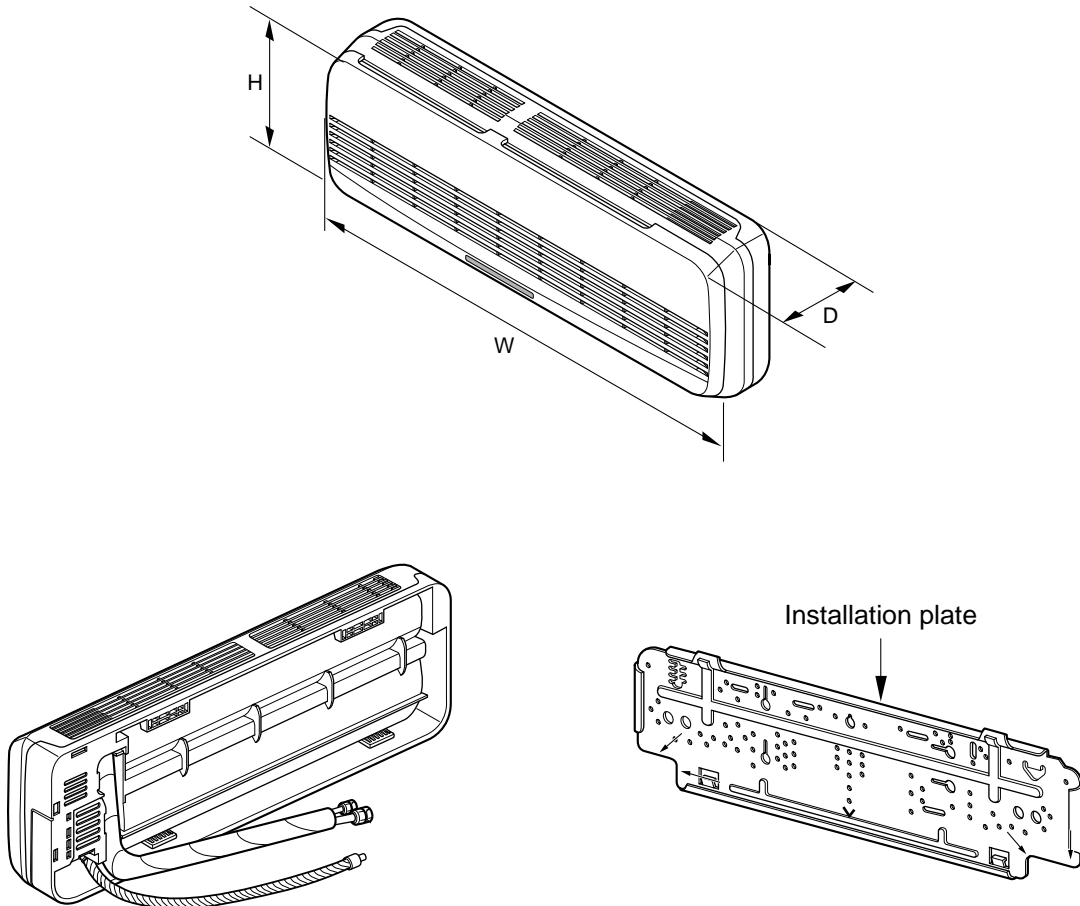
NOTE: Please refer to Label Quality on the product since this specification may be changed for improving performance

Item		Model Name		LS-C096QLA0 QNA0/QGLO	LS-C082QMA0/QNA0	LS-H096QGL1
		Unit				
Cooling Capacity		Btu/h		9,000	8,000	9,000
Heating Capacity				-	-	9,300
Moisture Removal		l/h		1.0	1.0	1.0
Power Source		Ø, V, Hz		1Ø, 220-240V, 50Hz	1Ø, 220V, 60Hz	1Ø, 220-240V, 50Hz
Air Circulation	Indoor	m ³ /min		6	6	6
	Outdoor			20	20	25
Noise Level	Indoor	dB (A)±3		36	36	36
	Outdoor			48	48	48
Input	Cooling	W		900	650	950
	Heating			-	-	860
Running Current	Cooling	A		4.0	3.0	4.2
	Heating			-	-	3.8
E.E.R.	Cooling	Btu/hW		10	10	9.5
C.O.P	Heating			-	-	2.8
Motor Output	Indoor	W		5.7	7.6	8.4
	Outdoor			14.5	18.7	13.6
Dimensions (W x H x D)	Indoor	mm		824 x 260 x 155	824 x 260 x 155	824 x 260 x 155
	Outdoor			525 x 564 x 265	525 x 564 x 265	770 x 540 x 245
Net. Weight	Indoor	kg		7	7	7
	Outdoor			23	23	23
Refrigerant		g		530(R22)	630(R22)	680(R22)
Airflow Direction Control (Up & Down)				0	0	0
Remocon Type				L.C.D Wireless	L.C.D Wireless	L.C.D Wireless
Service Valve	Liquid	inch(mm)		1/4" (6.35)	1/4" (6.35)	1/4" (6.35)
	Gas			3/8" (9.52)	3/8" (9.52)	3/8" (9.52)
Sleeping Operation				0	0	0
Drain Hose				0	0	0
Connecting Cable				0.75mm ²	0.75mm ²	0.75mm ²
Power Cord				0.75mm ²	0.75mm ²	0.75mm ²

NOTE: Please refer to Label Quality on the product since this specification may be changed for improving performance

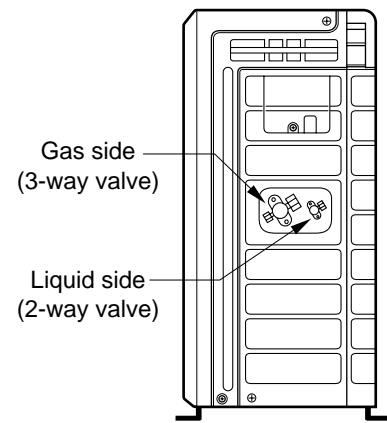
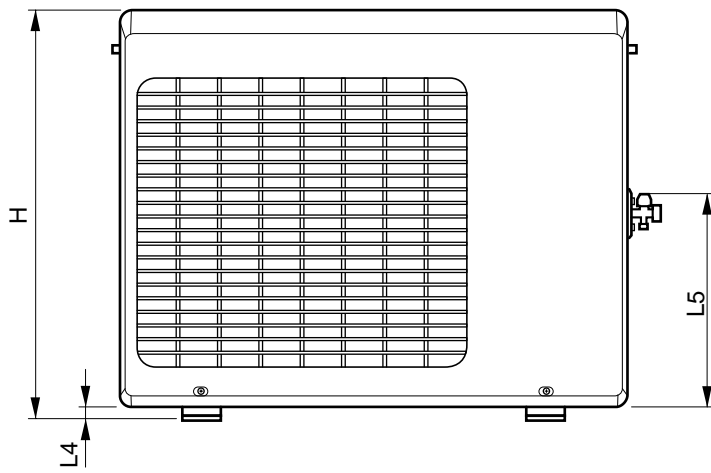
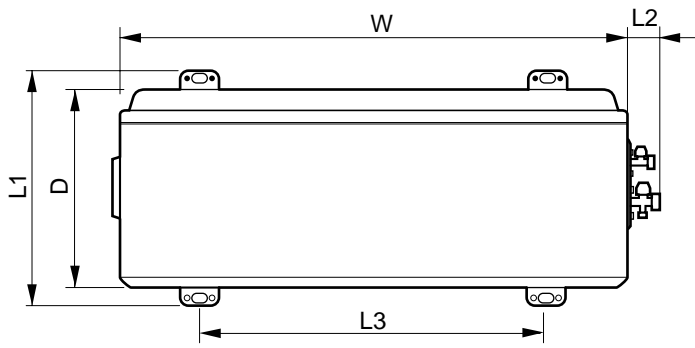
Dimensions

(1) Indoor Unit



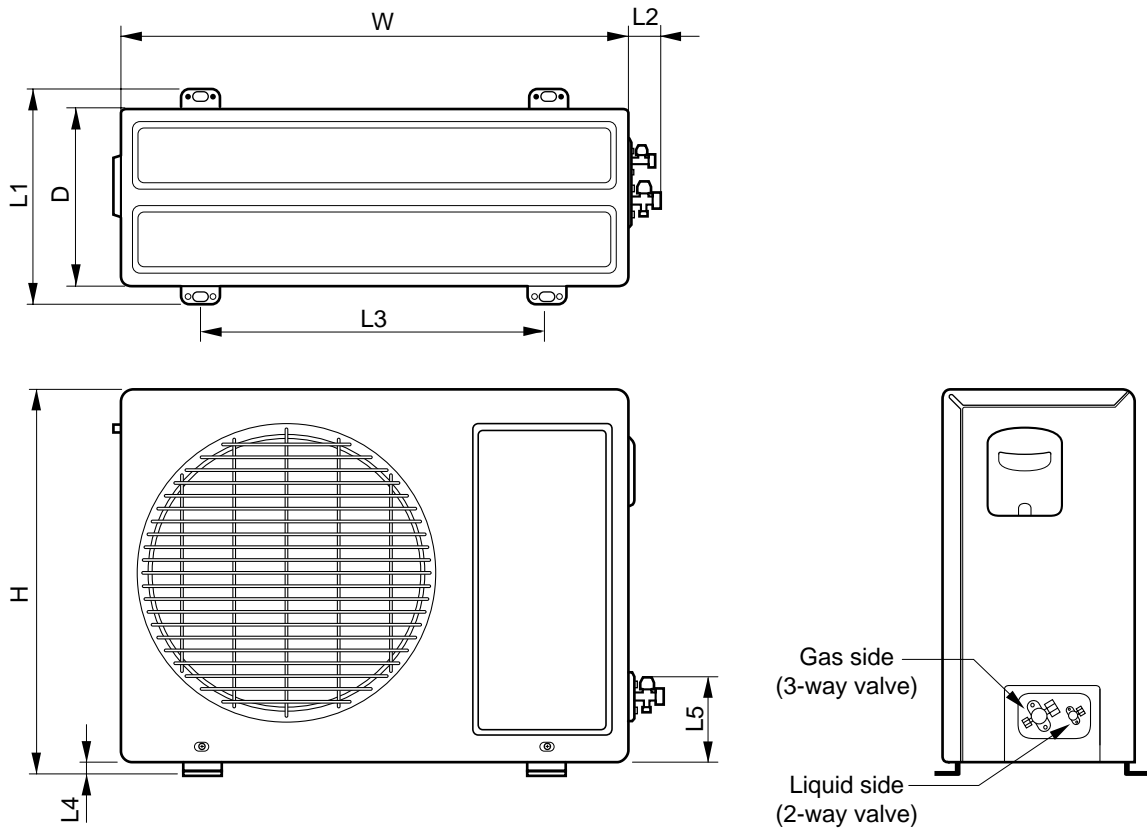
DIM	MODEL	
	Unit	All Models
W	mm	824
H	mm	260
D	mm	155

(2) Outdoor Unit



MODEL		7k Heat Pump, 8k Cooling, 9k Cooling	
		DIM	unit
W	mm		564
H	mm		525
D	mm		265
L1	mm		294
L2	mm		66
L3	mm		374
L4	mm		17
L5	mm		270

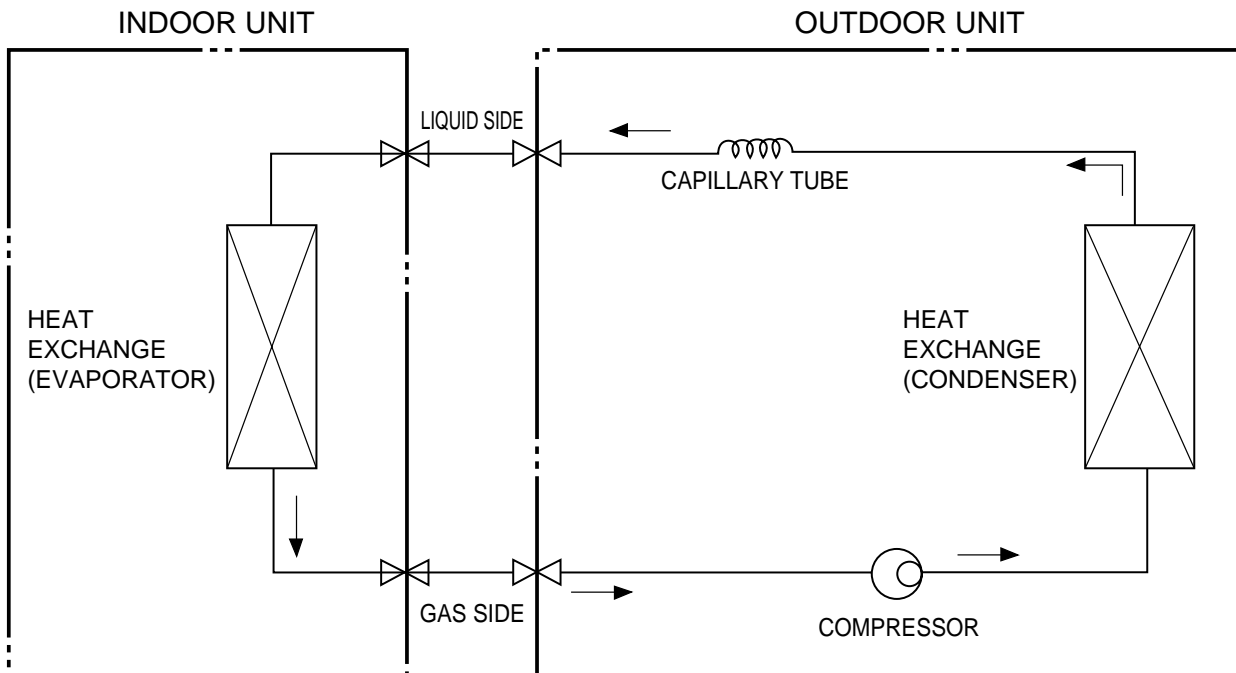
(3) Outdoor Unit



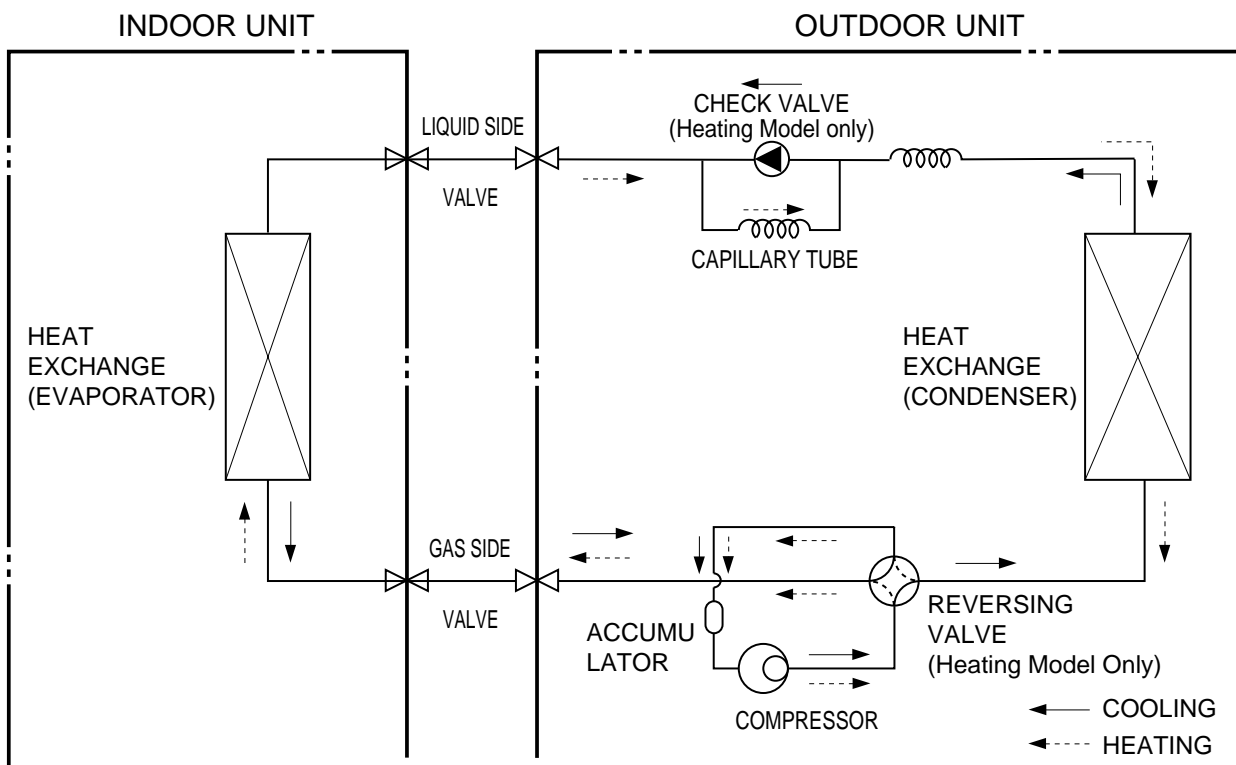
DIM	MODEL	9k Heat Pump
	unit	
W	mm	770
H	mm	540
D	mm	245
L1	mm	285
L2	mm	65
L3	mm	518
L4	mm	10
L5	mm	100

Refrigeration Cycle Diagram

(1) Cooling Only Models



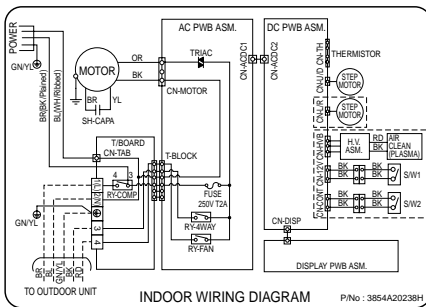
(2) Cooling & Heating Models



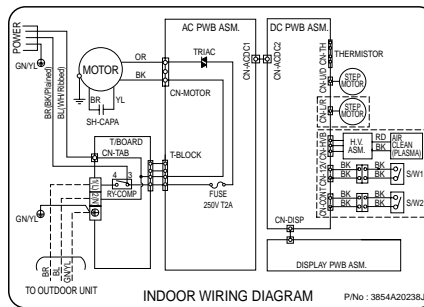
Wiring Diagram

(1) Indoor Unit

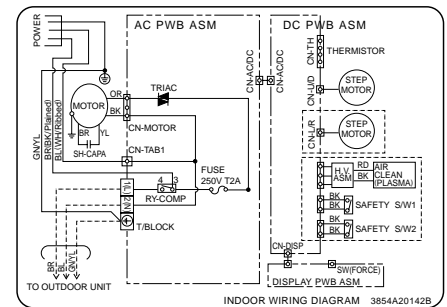
1. LS-Q076ABL, LS-Q076BBG, LS-Q076BEL
LS-Q096ABL, LS-Q096ABG, LS-Q066AHG
LS-Q096AEL, LS-Q096BBG, LS-Q096ABM
LS-Q096AEM, LS-H096QNA0, LS-Q096BEG



2. LS-Q096AAG, LS-Q096AAL, LS-Q096ACG
LS-Q096ADL, LS-Q096ADG, LS-Q096BAG
LS-Q096BAG, LS-Q096BDG, LS-Q096BDL
LS-Q082BAM, LS-C096QL0, LS-C096QLA0,
LS-C096QNA0, LS-H096QGL1

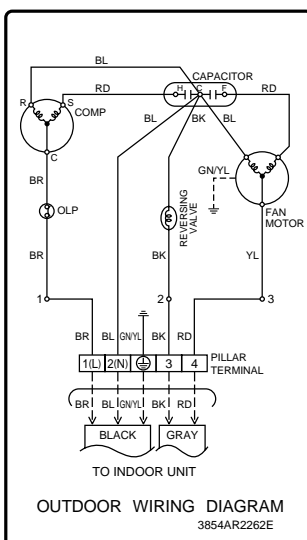


3. LS-Q082BAG, LS-Q096ACL, LS-Q082AAL
LS-Q082ACG, LS-Q082ACL, LS-Q082ACM
LS-C082QMA0, LS-C082QNA0

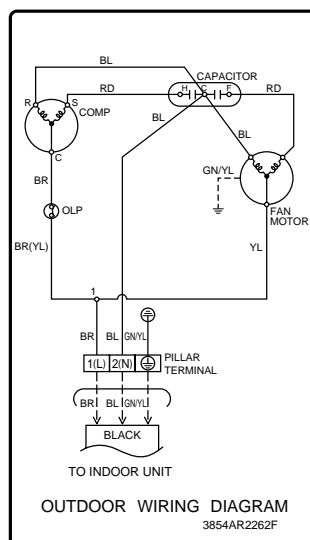


(2) Outdoor Unit

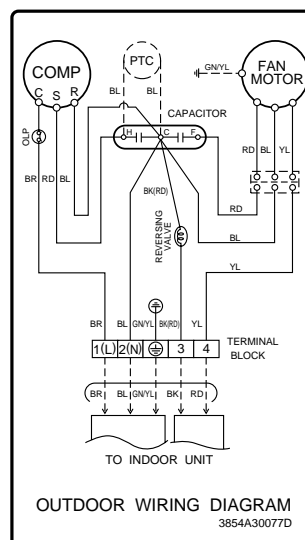
1. LS-Q076ABL, LS-Q076ABG,
LS-Q076BBG
LS-Q076BEL



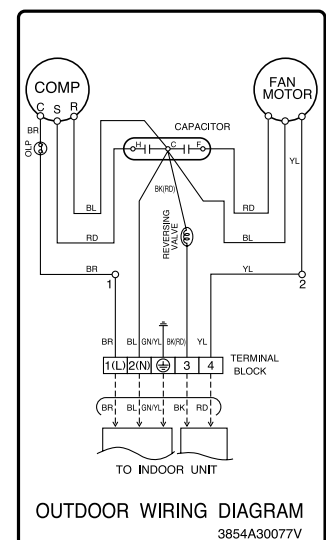
2. LS-Q096AAG, LS-Q096AAL,
LS-Q096ACG, LS-Q096ADL,
LS-Q096ADG, LS-Q096ACL
LS-Q096BAG, LS-Q096BDG,
LS-Q096BDL LS-Q082BAG,
LS-Q096ABM, LS-Q082AAL
LS-Q082BAM, LS-Q082ACG,
LS-Q082ACL, LS-Q082ACM
LS-C082QMA0, LS-C082QNA0
LS-C096QCL0, LS-C096QLA0
LS-C096QNA0, LS-H096QGL1



3. LS-Q096ABL, LS-Q096AEL,
LS-Q096ABG, LS-Q096AHG,
LS-Q096BBG, LS-Q096BEL
LS-Q096ABM, LS-Q096AEM,
LS-Q096BEG



4. LS-H096QNA0, LS-H096QNA0



Operation Details

1. MAIN UNIT FUNCTION

• DISPLAY

1) C/O Model

Operation Indicator

- ON while in appliance operation, OFF while in appliance pause.
- Flashing while in disconnection or short in Thermistor. (3 sec off / 0.5 sec on)

Sleep Timer Indicator

- ON while in sleep timer mode, OFF when sleep timer cancel or appliance operation pause.

Timer Indicator

- ON while in timer mode (on/off), OFF when timer mode is completed or canceled.

Comp. Running Indicator

- While in appliance operation, ON while in outdoor unit compressor running, OFF while in compressor off.

2) H/P Model

Operation Indicator

- ON while in appliance operation, OFF while in appliance pause.
- Flashing while in disconnection or short in Thermistor. (3 sec off / 0.5 sec on)

Sleep Timer Indicator

- ON while in sleep timer mode, OFF when sleep timer cancel or appliance operation pause.

Timer Indicator

- ON while in timer mode (on/off), OFF when timer mode is completed or canceled.

Defrost Indicator

- OFF except when hot start during heating mode operation or while in defrost control.

■ Cooling Mode Operation

- When the intake air temperature reaches 0.5°C below the setting temp, the compressor and the outdoor fan stop.
- When it reaches 0.5°C above the setting temp, they start to operate again.
 - Compressor ON Temp ▶ Setting Temp+0.5°C
 - Compressor OFF Temp ▶ Setting Temp-0.5°C
- While in compressor running, operating with the airflow speed set by the remote control. While in compressor not running, operating with the low airflow speed regardless of the setting.

■ Healthy Dehumidification Mode

- When the dehumidification operation input by the remote control is received, the intake air temperature is detected and the setting temp is automatically set according to the intake air temperature.
 - 26°C ≤ Intake Air Temp ▶ 25°C
 - 24°C ≤ Intake Intake Air Temp < 26°C ▶ Intake Air Temp-1°C
 - 18°C ≤ Intake Intake Air Temp < 24°C ▶ Intake Air Temp-0.5°C
 - Intake Air Temp < 18°C ▶ 18°C

- While in compressor off, the indoor fan repeats low airflow speed and pause.
- While the intake air temp is between compressor on temp. and compressor off temp., 10-min dehumidification operation and 4-min compressor off repeat.
Compressor ON Temp. ▶ Setting Temp+0.5°C
Compressor OFF Temp. ▶ Setting Temp-0.5°C
- In 10-min dehumidification operation, the indoor fan operates with the low airflow speed.

■ Heating Mode Operation

- When the intake air temp reaches +3°...above the setting temp, the compressor is turned off. When below the setting temp, the compressor is turned on.
Compressor ON Temp. ▶ Setting Temp.
Compressor OFF Temp. ▶ Setting Temp.+3°C
- While in compressor on, the indoor fan is off when the indoor pipe temp. is below 20°C, when above 28°C , it operates with the low or setting airflow speed. When the indoor pipe temp is between 20°C and 28°C, it operates with Super-Low(while in sleep mode, with the medium airflow speed).
- While in compressor off, the indoor fan is off when the indoor pipe temp is below 33°C, when above 35°C , it operates with the low airflow speed.
- If overloaded while in heating mode operation, in order to prevent the compressor from OLP operation, the outdoor fan is turned on/off according to the indoor pipe temp.
- While in defrost control, both of the indoor and outdoor fans are turned off.

■ Defrost Control

- While in heating mode operation in order to protect the evaporator pipe of the outdoor unit from freezing, reversed to cooling cycle to defrost the evaporator pipe of the outdoor unit.
- After 40 min heating mode operation, at 4 min interval, whether to carry out defrost control or not and the time of defrost control are determined according to the following conditions.
 - 1) While in heating mode operation, the maximum of the indoor pipe temperature is measured and it is compared with the present indoor pipe temperature to get the difference of the indoor pipe temperatures (=the maximum temperature of indoor pipe ? the present temperature of indoor pipe), according to which, whether to carry out defrost control or not is determined.
 - 2) According to the need of defrost control shown above and the elapsed time of heating mode operation at that moment, the defrost control time is determined.
 - 3) When the determined time of defrost control is below 7 min, heating mode operation continues without carrying out defrost control. According to the procedure stated above, the determination is made again. When the defrost control time is 7 min or longer, defrost control is then carried out.
- While in defrost control, the minimum temp of the indoor pipe is measured and it is compared with the present temp of the indoor pipe to get the difference of the indoor pipe temperatures (=the present temperature of the indoor pipe ? the minimum temperature of the indoor pipe). When the difference is 5°C or higher, defrost control is completed and heating mode operation is carried out.
- While in defrost control, if the defrost time determined before the start of defrost control is completed, defrost control stops and heating mode operation is carried out regardless of the above condition.
- When the indoor pipe temp is 42°C or above, defrost control is not carried out even if the condition is one of the defrost conditions above.
- While in defrost control, the compressor is on and the indoor fan, the outdoor fan, and the 4 way valve are off.

■ Fuzzy Operation (C/O Model)

- According to the temperature set by Fuzzy rule, when the intake air temp is 0.5°C or more below the setting temp, the compressor is turned off. When 0.5°C or more above the setting temp, the compressor is turned on.
Compressor ON Temp ◀ Setting Temp + 0.5°C
Compressor OFF Temp ◀ Setting Temp + 0.5°C
- At the beginning of Fuzzy mode operation, the setting temperature is automatically selected according to the intake air temp at that time.
26°C ≤ Intake Air Temp ◀ 25°C
24°C ≤ Intake Air Temp < 26°C ◀ Intake Air Temp + 1°C
22°C ≤ Intake Air Temp < 24°C ◀ Intake Air Temp + 0.5°C
18°C ≤ Intake Air Temp < 22°C ◀ Intake Air Temp
Intake Air Temp < 18°C ◀ 18°C
- When the Fuzzy key (Temperature Control key) is input after the initial setting temperature is selected, the Fuzzy key value and the intake air temperature at that time are compared to select the setting temperature automatically according to the Fuzzy rule.
- While in Fuzzy operation, the airflow speed of the indoor fan is automatically selected according to the temperature.

■ Fuzzy Operation (H/P Model)

- When any of operation mode is not selected like the moment of the power on or when 3 hrs has passed since the operation off, the operation mode is selected.
- When determining the operation mode, the compressor, the outdoor fan, and the 4 way valve are off and only the indoor fan is operated for 15 seconds. Then an operation mode is selected according to the intake air temp at that moment as follows.
24°C ≤ Intake Air Temp ◀ Fuzzy Operation for Cooling
21°C ≤ Intake Air Temp < 24°C ◀ Fuzzy Operation for Dehumidification
Intake Air Temp < 21°C ◀ Fuzzy Operation for Heating
- If any of the operation modes among cooling / dehumidification / heating mode operations is carried out for 10 sec or longer before Fuzzy operation, the mode before Fuzzy operation is operated.

1) Fuzzy Operation for Cooling

- According to the setting temperature selected by Fuzzy rule, when the intake air temp is 0.5°C or more below the setting temp, the compressor is turned off. When 0.5°C or more above the setting temp, the compressor is turned on.
Compressor ON Temp ◀ Setting Temp + 0.5°C
Compressor OFF Temp ◀ Setting Temp + 0.5°C
- At the beginning of Fuzzy mode operation, the setting temperature is automatically selected according to the intake air temp at that time.
26°C ≤ Intake Air Temp ◀ 25°C
24°C ≤ Intake Air Temp < 26°C ◀ Intake Air Temp + 1°C
22°C ≤ Intake Air Temp < 24°C ◀ Intake Air Temp + 0.5°C
18°C ≤ Intake Air Temp < 22°C ◀ Intake Air Temp
Intake Air Temp < 18°C ◀ 18°C
- When the Fuzzy key (Temperature Control key) is input after the initial setting temperature is selected, the Fuzzy key value and the intake air temperature at that time are compared to select the setting temperature automatically according to the Fuzzy rule.
- While in Fuzzy operation, the airflow speed of the indoor fan is automatically selected according to the temperature.

2) Fuzzy Operation for Dehumidification

- According to the setting temperature selected by Fuzzy rule, when the intake air temp is 0.5°C or more below the setting temp, the compressor is turned off. When 0.5°C or more above the setting temp, the compressor is turned on.
 - Compressor ON Temp ◀ Setting Temp + 0.5°C
 - Compressor OFF Temp ◀ Setting Temp+0.5°C
- At the beginning of Fuzzy mode operation, the setting temperature is automatically selected according to the intake air temp at that time.
 - 26°C ≤ Intake Air Temp ◀ 25°C
 - 24°C ≤ Intake Air Temp < 26°C ◀ Intake Air Temp+1°C
 - 22°C ≤ Intake Air Temp < 24°C ◀ Intake Air Temp+0.5°C
 - 18°C ≤ Intake Air Temp < 22°C ◀ Intake Air Temp
 - Intake Air Temp < 18°C ◀ 18°C
- When the Fuzzy key (Temperature Control key) is input after the initial setting temperature is selected, the Fuzzy key value and the intake air temperature at that time are compared to select the setting temperature automatically according to the Fuzzy rule.
- While in Fuzzy operation, the airflow speed of the indoor fan repeats the low airflow speed or pause as in dehumidification operation.

3) Fuzzy Operation for Heating

- According to the setting temperature selected by Fuzzy rule, when the intake air temp is 3°C or more above the setting temp, the compressor is turned off. When below the setting temp, the compressor is turned on.
 - Compressor ON Temp ◀ Setting Temp
 - Compressor OFF Temp ◀ Setting Temp + 3°C
- At the beginning of Fuzzy mode operation, the setting temperature is automatically selected according to the intake air temp at that time.
 - 20°C ≤ Intake Air Temp ◀ Intake Air Temp + 0.5°C
 - Intake Air Temp < 20°C ◀ 20°C
- When the Fuzzy key (Temperature Control key) is input after the initial setting temperature is selected, the Fuzzy key value and the intake air temperature at that time are compared to select the setting temperature automatically according to the Fuzzy rule.
- While in Fuzzy operation, the airflow speed of the indoor fan is set to the high or the medium according to the intake air temperature and the setting temperature.

■ Airflow Speed Selection

- The airflow speed of the indoor fan is set to high, medium, low, or chaos (auto) by the input of the airflow speed selection key on the remote control.

■ On-Timer Operation

- When the set time is reached after the time is input by the remote control, the appliance starts to operate.
- The timer LED is on when the on-timer is input. It is off when the time set by the timer is reached.
- If the appliance is operating at the time set by the timer, the operation continues.

■ Off-Timer Operation

- When the set time is reached after the time is input by the remote control, the appliance stops operating.
- The timer LED is on when the off-timer is input. It is off when the time set by the timer is reached.
- If the appliance is on pause at the time set by the timer, the pause continues.

■ Off-Timer ↔ On-Timer Operation

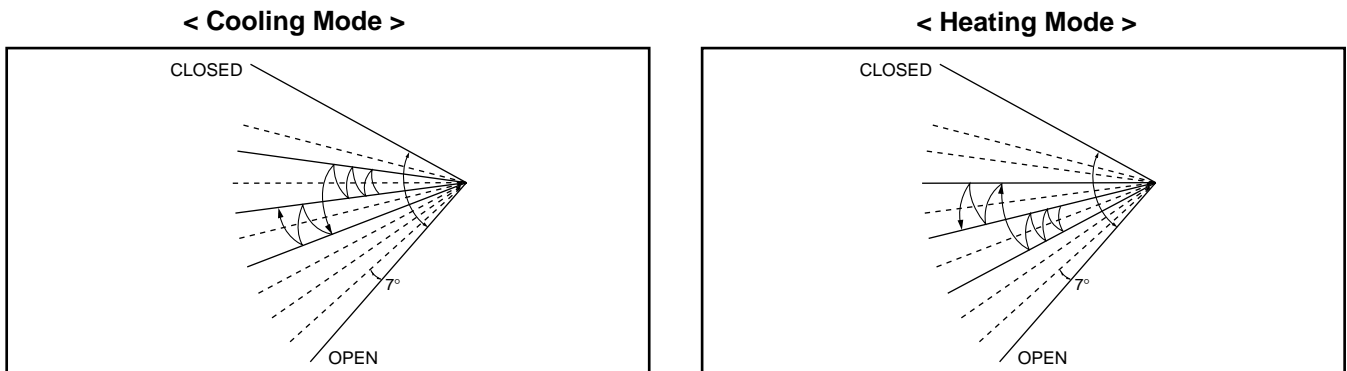
- When the set time is reached after the on/off time is input by the remote control, the on/off-timer operation is carried out according to the set time.

■ Sleep Timer Operation

- When the sleep time is reached after <1,2,3,4,5,6,7,0(cancel) hr> is input by the remote control while in appliance operation, the operation of the appliance stops.
- While the appliance is on pause, the sleep timer mode cannot be input.
- While in cooling mode operation, 30 min later since the start of the sleep timer, the setting temperature increases by 1°C. After another 30 min elapse, it increases by 1°C again.
- When the sleep timer mode is input while in cooling cycle mode, the airflow speed of the indoor fan is set to the low.
- When the sleep timer mode is input while in heating cycle mode, the airflow speed of the indoor fan is set to the medium.

■ Chaos Swing Mode

- By the Chaos Swing key input, the upper/lower vane automatically operates with the Chaos Swing or they are fixed to the desired direction.
- While in Chaos Swing mode, the angles of cooling and heating cycle operations are different.



■ Chaos Natural Wind Mode

- When the Chaos Natural Wind mode is selected and then operated, the high, medium, or low speed of the airflow mode is operated for 2~15 sec. randomly by the Chaos Simulation.

■ Jet Cool Mode Operation (C/O Model)

- If the Jet Cool key is input at any operation mode while in appliance operation, the Jet Cool mode operates.
- In the Jet Cool mode, the indoor fan is operated at super-high speed for 30 min at cooling mode operation.
- In the Jet Cool mode operation, the room temperature is controlled to the setting temperature, 18°C
- When the sleep timer mode is input while in the Jet Cool mode operation, the Jet Cool mode has the priority.
- When the Jet Cool key is input, the upper/lower vanes are reset to those of the initial cooling mode and then operated in order that the air outflow could reach further.

■ Jet Cool Mode Operation (H/P Model)

- While in heating mode or Fuzzy operation, the Jet Cool key cannot be input. When it is input while in the other mode operation (cooling, dehumidification, ventilation), the Jet Cool mode is operated.
- In the Jet Cool mode, the indoor fan is operated at super-high speed for 30 min at cooling mode operation.
- In the Jet Cool mode operation, the room temperature is controlled to the setting temperature, 18°C.
- When the sleep timer mode is input while in the Jet Cool mode operation, the Jet Cool mode has the priority.
- When the Jet Cool key is input, the upper/lower vanes are reset to those of the initial cooling mode and then operated in order that the air outflow could reach further.

■ Forced Operation

- Operation procedures when the remote control can't be used.
- The operation will be started if the power button is pressed.
- If you want to stop operation, re-press the button.

	Cooling Model	Heat pump Model		
		Room Temp. $\geq 24^{\circ}\text{C}$	$21^{\circ}\text{C} \leq \text{Room Temp.} < 24^{\circ}\text{C}$	Room Temp. $< 21^{\circ}\text{C}$
Operating mode	Cooling	Cooling	Healthy Dehumidification	Heating
Indoor FAN Speed	High	High	High	High
Setting Temperature	22°C	22°C	23°C	24°C

- While in forced operation, the key input by the remote control has no effect and the buzzer sounds 10 times to indicate the forced operation.

■ Test operation

- During the TEST OPERATION, the unit operates in cooling mode at high speed fan, regardless of room temperature and resets in 18 ± 1 minutes.
- During test operation, if remote controller signal is received, the unit operates as remote controller sets. If you want to use this operation, open the front panel upward and Press the power button let it be pressed for about 3 seconds.
- If you want to stop the operation, re-press the button.

■ Auto restart

- In case the power comes on again after a power failure, Auto Restarting Operation is the function to operate procedures automatically to the previous operating conditions.

■ Air Cleaner Operation

- When an air cleaner function is selected during Air Conditioner operation
 - Plasma air cleaner function will be operated while in any operation mode with selecting the function.
 - The function is to be stopped while it is operating with selecting the function.
- When an air cleaner function is selected during operation off
 - The function will be only operated.
- When inlet grille of air conditioner is opened during plasma operation, High Voltage Generator(H.V.B) is to be stopped. When inlet grille of air conditioner is closed during plasma operation, High Voltage Generator(H.V.B) will be operated again.

■ Remote Control Operation Mode

- When the remote control is selected by the slide switch on the main unit, the appliance operates according to the input by the remote control.

■ Protection of the evaporator pipe from frosting

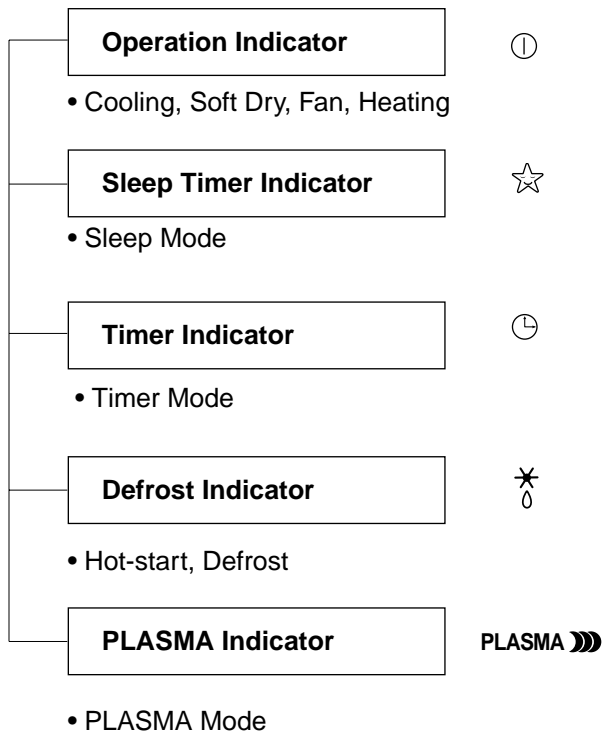
- If the indoor pipe temp is below 0°C in 7 min. after the compressor operates without any pause while in cooling cycle operation mode, the compressor and the outdoor fan are turned off in order to protect the indoor evaporator pipe from frosting.
- When the indoor pipe temp is 7°C or higher after 3 min. pause of the compressor, the compressor and the outdoor fan is turned on according to the condition of the room temperature.

■ Buzzer Sounding Operation

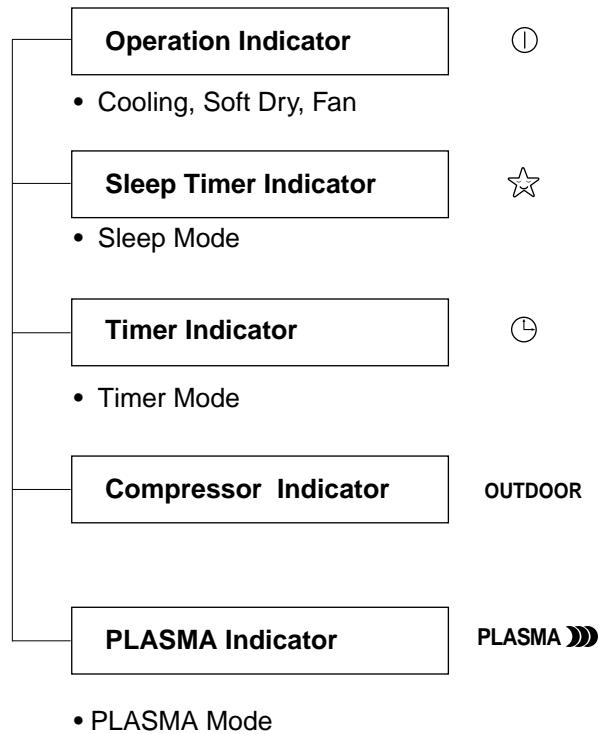
- When the appliance-operation key is input by the remote control, the short "beep-beep-" sounds.
- When the appliance-pause key is input by the remote control, the long "beep—" sounds.
- When a key is input by the remote control while the slide switch on the main unit of the appliance is on the forced operation position, the error sound "beep-beep-beep-beep-beep-" is made 10 times to indicate that the remote control signal cannot be received.

Display Function

1. Heating Model



2. Cooling Model



Self-diagnosis Function

Error Code	Error Display LED (Indoor body operation LED)	Error contents	SVC check point
1	<p>(once)</p> <p>3sec 3sec 3sec</p>	<ul style="list-style-type: none"> Indoor room temperature thermistor open/short Indoor pipe temperature thermistor open/short. 	<ul style="list-style-type: none"> Indoor Thermistor assembly check

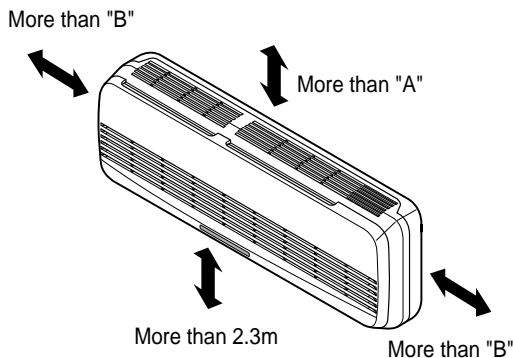
Installation

1. Installation of indoor, Outdoor unit

1) Selection of the best location

1. Indoor unit

- Do not have any heat or steam near the unit.
- Select a place where there are no obstacles in front of the unit.
- Make sure that condensation drainage can be conveniently routed away.
Do not install near a doorway.
- Ensure that the space around the left and right of the unit is more than "A". The unit should be installed as high on the wall as possible, allowing a minimum of "B" from ceiling.
- Use a stud finder to locate studs to prevent unnecessary damage to the wall.



CAUTION

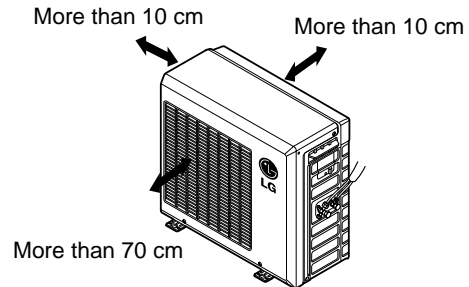
Install the indoor unit on the wall where the height from the floors more than 2.3 meters.

Grade	Clearance(cm)	
	A	B
7K~28K	10	5
30K~38K	30	12

2. Outdoor unit

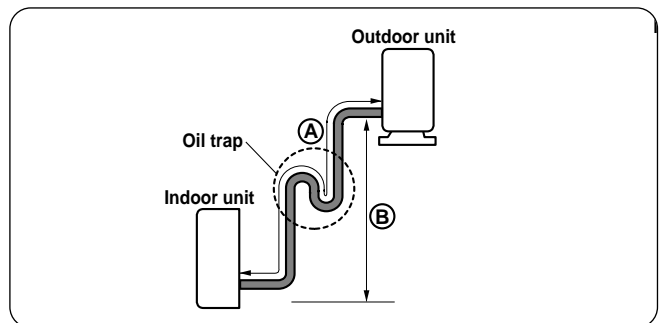
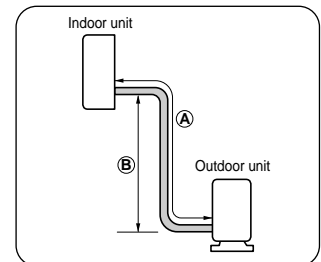
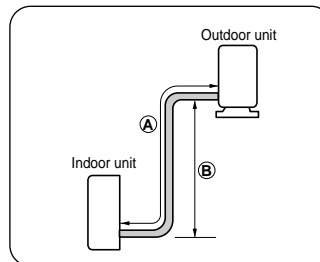
- If an awning is built over the unit to prevent direct sunlight or rain exposure, make sure that heat radiation from the condenser is not restricted.
- Ensure that the space around the back and sides is more than 10cm. The front of the unit should have more than 70cm of space.
- Do not place animals and plants in the path of the warm air.
- Take the air conditioner weight into account and select a place where noise and vibration are minimum.

- Select a place so that the warm air and noise from the air conditioner do not disturb neighbors.



2) Piping length and elevation

Capacity (Btu/h)	Pipe Size		Standard Length (m)	Max. Elevation B (m)	Max. Length A (m)	Additional Refrigerant (g/m)
	GAS	LIQUID				
7k~14k	3/8"(Ø9.52)	1/4"(Ø6.35)	4 or 7.5	7	15	20
	1/2"(Ø12.7)	1/4"(Ø6.35)	4 or 7.5	7	15	20
18k~28k	1/2"(Ø12.7)	1/4"(Ø6.35)	4 or 7.5	15	30	20
	5/8"(Ø15.88)	1/4"(Ø6.35)	4 or 7.5	15	30	20
	5/8"(Ø15.88)	3/8"(Ø9.52)	4 or 7.5	15	30	30
30k~38k	5/8"(Ø15.88)	3/8"(Ø9.52)	7.5	15	30	30
	3/4"(Ø19.05)	3/8"(Ø9.52)	7.5	15	30	50



If case more than 5m

CAUTION

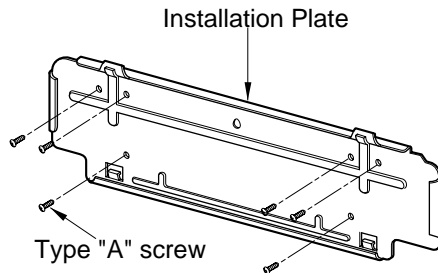
- Capacity is based on standard length and maximum allowance length is on the basis of reliability.
- Oil trap should be installed every 5~7 meters.

3) How to fix installation plate

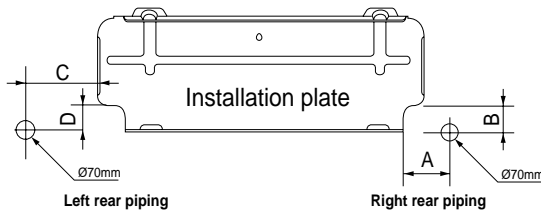
The wall you select should be strong and solid enough to prevent vibration

1. Mount the installation plate on the wall with four type A screws. If mounting the unit on a concrete wall, use anchor bolts.

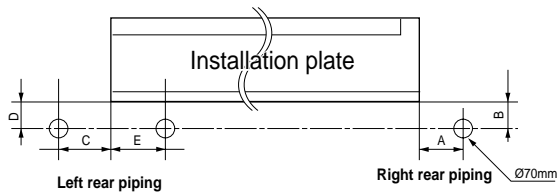
- Mount the installation plate horizontally by aligning the centerline using a level.



2. Measure the wall and mark the centerline. It is also important to use caution concerning the location of the installation plate-routing of the wiring to power outlets is through the walls typically. Drilling the hole through the wall for piping connections must be done safely.



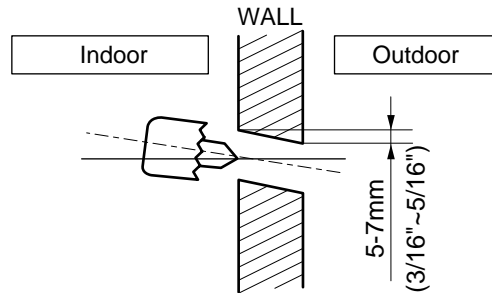
CHASSIS (Grade)	Distance (mm)			
	A	B	C	D
SJ	90	20	80	20
SL, SK	45	40	80	20
SQ	75	12	80	12
SR	0	40	20	40
ST	105	0	210	0



CHASSIS (Grade)	Distance (mm)				
	A	B	C	D	E
SM	180	115	-	115	50
SN	180	115	195	115	-

4) Drill a hole in the wall

- Drill the piping hole with a $\varnothing 70\text{mm}$ hole core drill. Drill the piping hole at either the right or the left with the hole slightly slanted to the outdoor side.



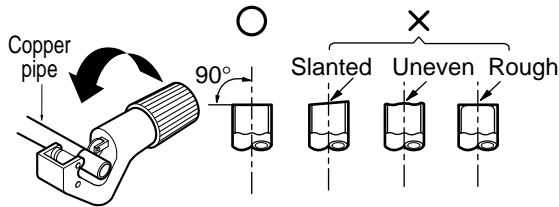
2. Flaring Work and Connection of Piping

1) Flaring work

Main cause for refrigerant leakage is due to defect in the flaring work. Carry out correct flaring work using the following procedure.

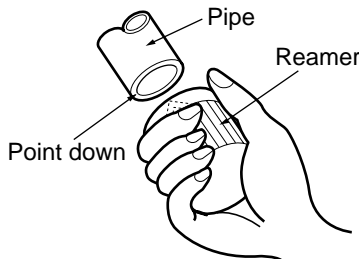
1. Cut the pipes and the cable.

- Use the piping kit accessory or pipes purchased locally.
- Measure the distance between the indoor and the outdoor unit.
- Cut the pipes a little longer than the measured distance.
- Cut the cable 1.5m longer than the pipe length.



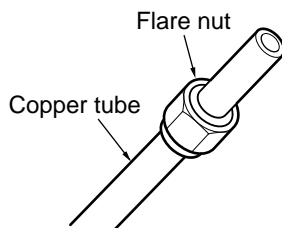
2. Burr removal

- Completely remove all burrs from the cut cross section of pipe/tube.
- Put the end of the copper tube/pipe in a downward direction as you remove burrs in order to avoid dropping burrs into the tubing.



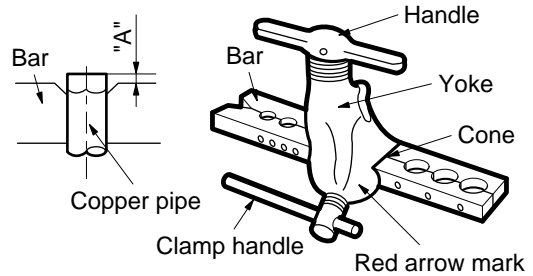
3. Putting nut on

- Remove flare nuts attached to indoor and outdoor unit, then put them on pipe/tube having completed burr removal.
- (not possible to put them on after flaring work)



4. Flaring work

- Firmly hold copper pipe in a die in the dimension shown in the table above.

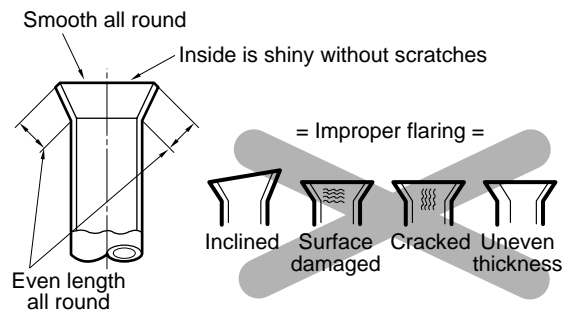


- Carry out flaring work using flaring tool as shown below.

Outside diameter		
mm	inch	mm
Ø6.35	1/4	0~0.5
Ø9.52	3/8	0~0.5
Ø12.7	1/2	0~0.5
Ø15.88	5/8	0~1.0
Ø19.05	3/4	1.0~1.3

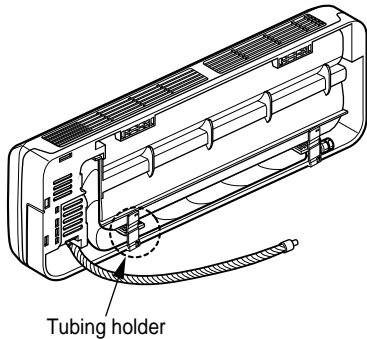
5. Check

- Compare the flared work with figure below.
- If flare is noted to be defective, cut off the flared section and re-flare it.



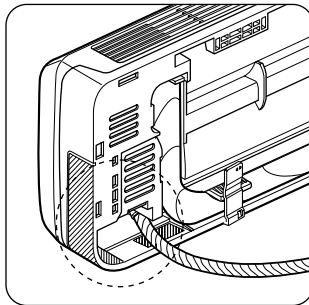
2) Connection of piping Indoor

- Preparing the indoor unit's piping and drain hose for installation through the wall.
- Remove the plastic tubing retainer(see illustration below) and pull the tubing and drain hose away from chassis.
- Replace the plastic tubing holder in the original position.



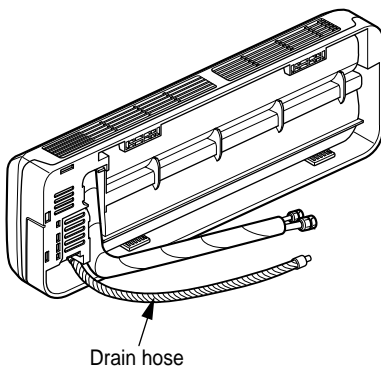
⚠ CAUTION

When install, make sure that the remaining parts must be removed clearly so as not to damage the piping and drain hose, especially power cord and connecting cable.



For right rear piping

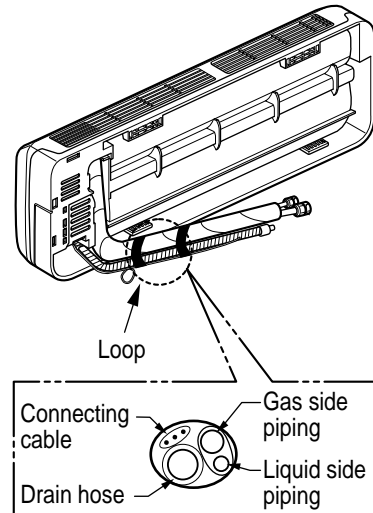
1. Route the indoor tubing and the drain hose in the direction of rear right.



2. Insert the connecting cable into the indoor unit from the outdoor unit through the piping hole.

- Do not connect the cable to the indoor unit.
- Make a small loop with the cable for easy connection later.

3. Tape the tubing, drain hose, and the connecting cable. Be sure that the drain hose is located at the lowest side of the bundle. Locating at the upper side can cause drain pan to overflow inside the unit.

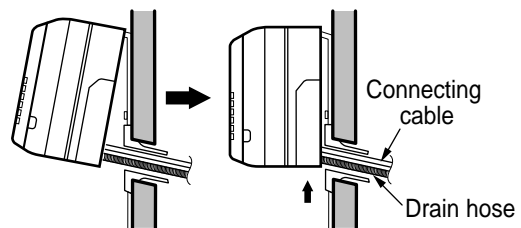


NOTE: If the drain hose is routed inside the room, insulate the hose with an insulation material* so that dripping from "sweating"(condensation) will not damage furniture or floors.

*Foamed polyethylene or equivalent is recommended.

4. Indoor unit installation

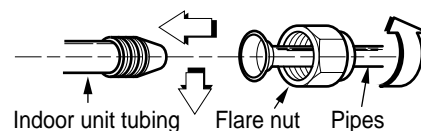
- Hook the indoor unit onto the upper portion of the installation plate.(Engage the two hooks of the rear top of the indoor unit with the upper edge of the installation plate.) Ensure that the hooks are properly seated on the installation plate by moving it left and right.



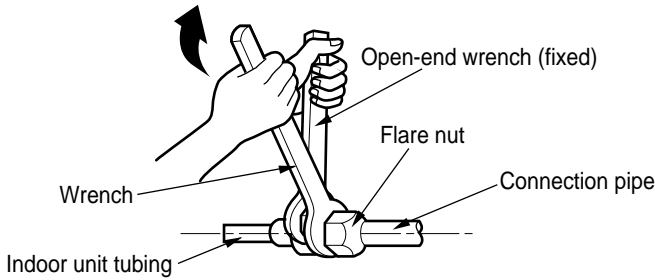
Press the lower left and right sides of the unit against the installation plate until the hooks engage into their slots(clicking sound).

4. Connecting the pipings to the indoor unit and drain hose to drain pipe.

- Align the center of the pipes and sufficiently tighten the flare nut by hand.

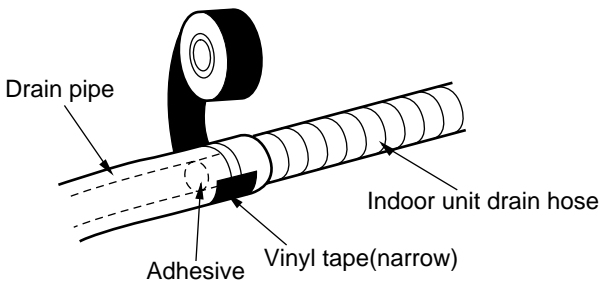


- Tighten the flare nut with a wrench.



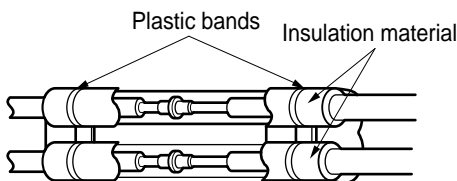
Outside diameter		Torque
mm	inch	kg-m
Ø6.35	1/4	1.8
Ø9.52	3/8	4.2
Ø12.7	1/2	5.5
Ø15.88	5/8	6.6
Ø19.05	3/4	6.6

- When extending the drain hose at the indoor unit, install the drain pipe.

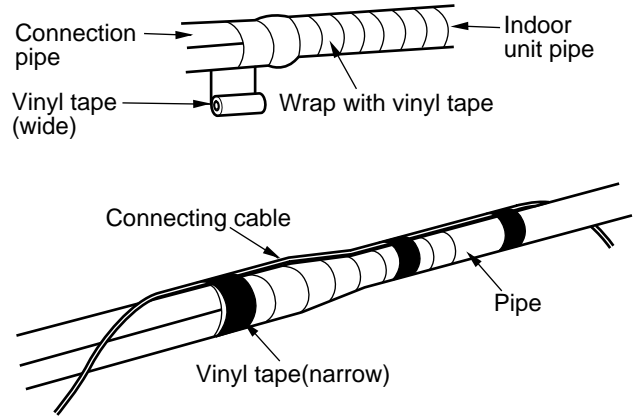


5. Wrap the insulation material around the connecting portion.

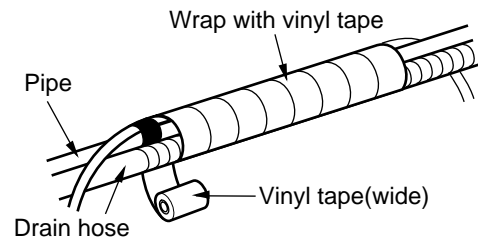
- Overlap the connection pipe insulation material and the indoor unit pipe insulation material. Bind them together with vinyl tape so that there is no gap.



- Wrap the area which accommodates the rear piping housing section with vinyl tape.

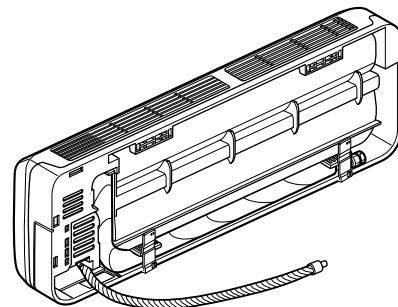


- Bundle the piping and drain hose together by wrapping them with vinyl tape for enough to cover where they fit into the rear piping housing section.

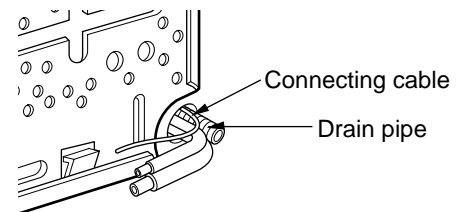


For left rear piping

1. Route the indoor tubing and the drain hose to the required piping hole position.



2. Insert the piping, drain hose, and the connecting cable into the piping hole.

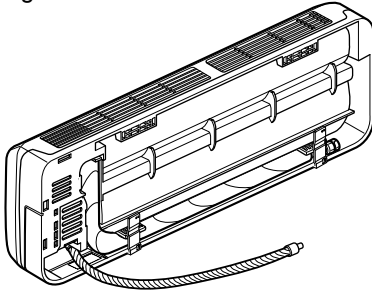


3. Insert the connecting cable into the indoor unit.

- Don't connect the cable to the indoor unit.
- Make a small loop with the cable for easy connection later.

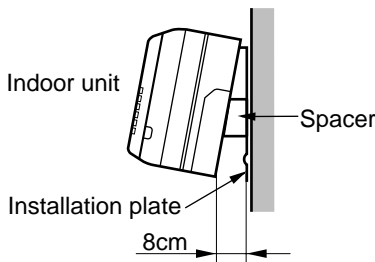
4. Tape the drain hose and the connecting cable.

- Connecting cable



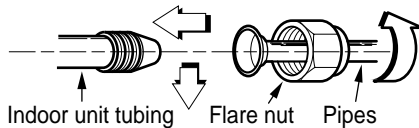
5. Indoor unit installation

- Hang the indoor unit from the hooks at the top of the installation plate.
- Insert the spacer etc. between the indoor unit and the installation plate and separate the bottom of the indoor unit from the wall.

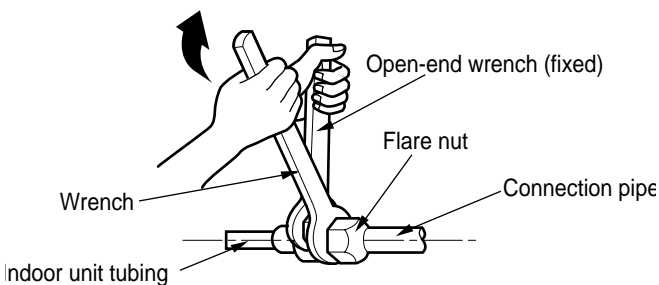


6. Connecting the pipings to the indoor unit and the drain hose to drain pipe.

- Align the center of the pipes and sufficiently tighten the flare nut by hand.

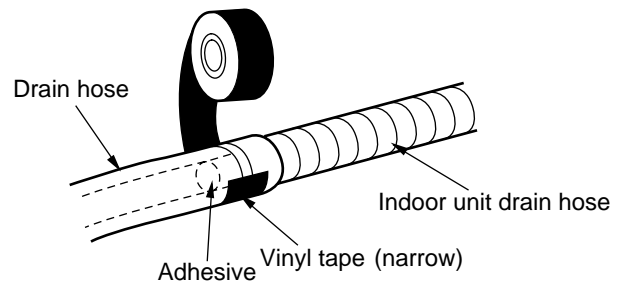


- Tighten the flare nut with a wrench.



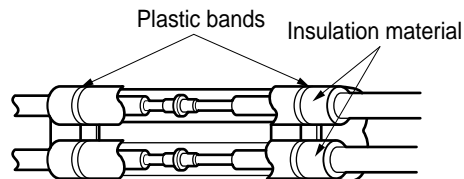
Outside diameter		Torque kg·m
mm	inch	
Ø6.35	1/4	1.8
Ø9.52	3/8	4.2
Ø12.7	1/2	5.5
Ø15.88	5/8	6.6
Ø19.05	3/4	6.6

- When extending the drain hose at the indoor unit, install the drain pipe.

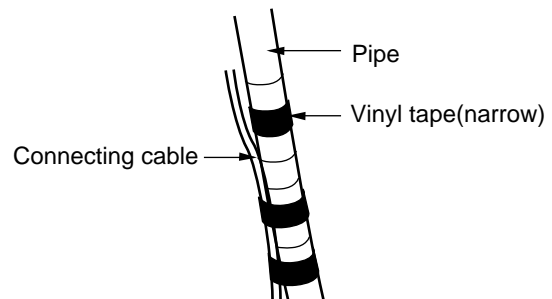
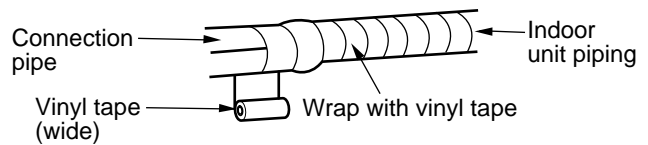


7. Wrap the insulation material around the connecting portion.

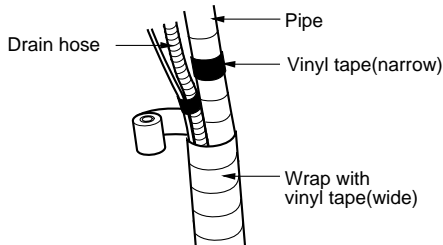
- Overlap the connection pipe heat insulation and the indoor unit pipe heat insulation material. Bind them together with vinyl tape so that there is no gap.



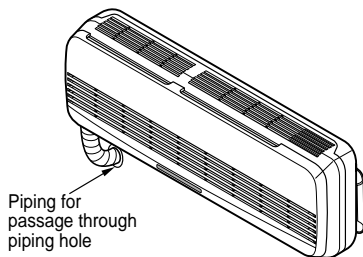
- Wrap the area which accommodates the rear piping housing section with vinyl tape.



- Bundle the piping and drain hose together by wrapping them with cloth tape over the range within which they fit into the rear piping housing section.

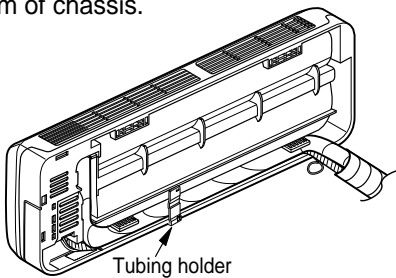


8. Reroute the pipings and the drain hose across the back of the chassis.



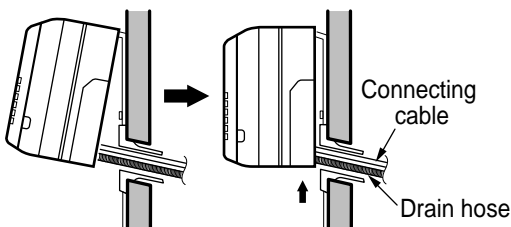
9. Set the pipings and the drain hose to the back of the chassis with the tubing holder.

- Hook the edge of tubing holder to tap on chassis and push the bottom of tubing holder to be engaged at the bottom of chassis.



10. Indoor unit installation

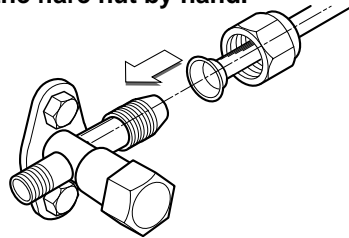
- Remove the spacer.
- Ensure that the hooks are properly seated on the installation plate by moving it left and right.



Press the lower left and right sides of the unit against the installation plate until the hooks engage into their slots (clicking sound).

3) Connection of the pipes-Outdoor

1. Align the center of the pipings and sufficiently tighten the flare nut by hand.

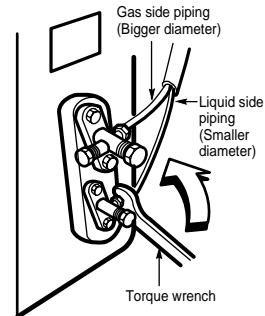


2. Finally, tighten the flare nut with torque wrench until the wrench clicks.

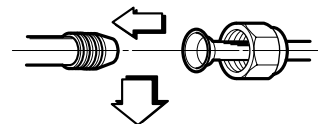
- When tightening the flare nut with torque wrench, ensure the direction for tightening follows the arrow on the wrench.

Outside diameter		Torque kg-m
mm	inch	
Ø6.35	1/4	1.8
Ø9.52	3/8	4.2
Ø12.7	1/2	5.5
Ø15.88	5/8	6.6
Ø19.05	3/4	6.6

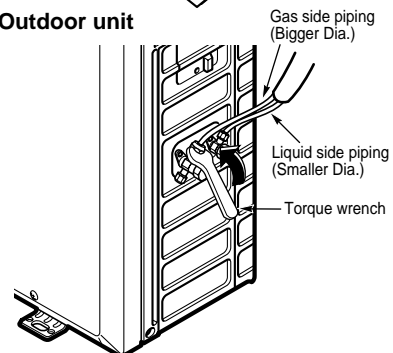
Outdoor unit



LS-Q096ABL



Outdoor unit



LS-Q096AAL

3. Connecting The Cable Between Indoor Unit and Outdoor Unit

1) Connect the cable to the Indoor unit.

- Connect the cable to the indoor unit by connecting the wires to the terminals on the control board in **dividually according to the outdoor unit connection.** (Ensure that the color of the wires of the outdoor unit and the terminal No. are the same as those of the indoor unit.)
The earth wire should be longer than the common wires.

- When installing, refer to the circuit diagram on the Control Box of Indoor Unit.
- When installing, refer to the wiring diagram on the Control Cover Inside Outdoor Unit.

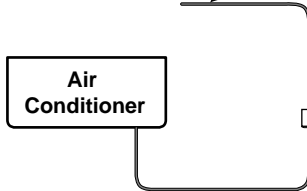
CAUTION

- The above circuit diagram is subject to change without notice.
- Be sure to connect wires according to the wiring diagram.
- Connect the wires firmly, so that not to be pulled out easily.
- Connect the wires according to color codes by referring the wiring diagram.

CAUTION

If a power plug is not to be used, provide a circuit breaker between power source and the unit as shown below.

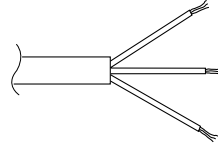
Main power source



Circuit Breaker
Use a circuit breaker or time delay fuse.

CAUTION

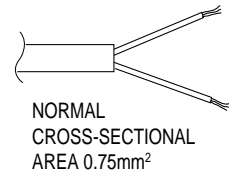
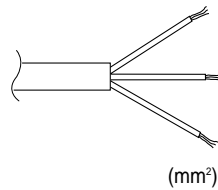
The power cord connected to the "A" unit should be complied with the following specifications (Type "B" approved by HAR or SAA).



NORMAL CROSS-SECTIONAL AREA	Grade					
	5k-9k	12k-14k	18k	24k-28k	30k, 32k	36k, 38k
	0.75	1.0	1.5	2.5	2.5	5.5
Unit(A)	Indoor	Indoor	Indoor	Indoor	Outdoor	Outdoor
Cable Type(B)	H05VV-F	H05VV-F	H05VV-F	H05VV-F	H05RN-F	H05RN-F

(mm²)

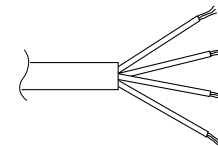
The power connecting cable connected to the indoor and outdoor unit should be complied with the following specifications (Type "B" approved by HAR or SAA).



NORMAL CROSS-SECTIONAL AREA	Grade			
	5k-9k	12k-14k	18k	24k-28k
	0.75	1.0	1.5	2.5
Cable Type(B)	H07RN-F	H07RN-F	H07RN-F	H07RN-F

(mm²)

NORMAL CROSS-SECTIONAL AREA 0.75mm²

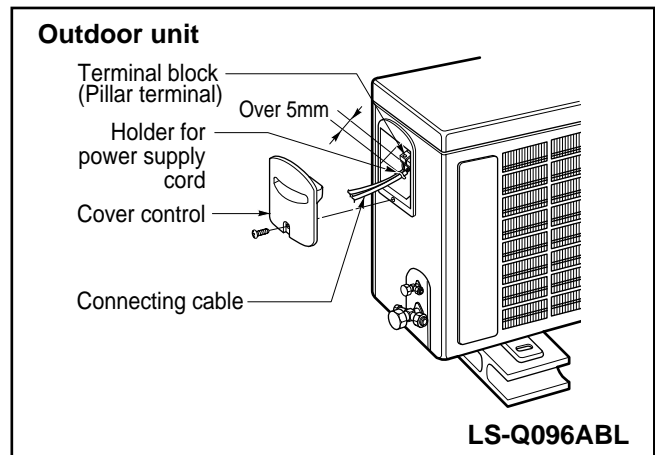
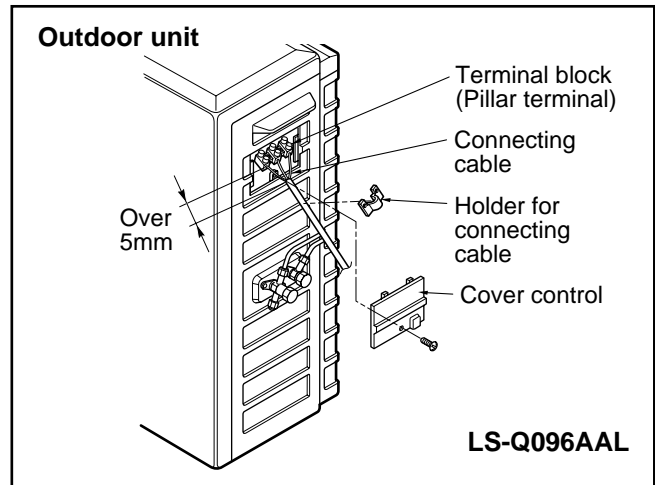


NORMAL CROSS-SECTIONAL AREA	Grade	
	30k, 32k	36k, 38k
	0.75	0.75
Cable Type(B)	H07RN-F	H07RN-F

2) Connect the cable to the outdoor unit

1. Remove the control cover from the unit by loosening the screw.
Connect the wires to the terminals on the control board individually.
2. Secure the cable onto the control board with the cord clamp.
3. Refix the control cover to the original position with the screw.
4. Use a recognized circuit breaker "A" between the power source and the unit.
A disconnecting device to adequately disconnect all supply lines must be fitted.

Circuit Breaker (A)	Grade				
	7k~14k	18k	24k~28k	30k, 32k	36k, 38k
	15	20	30	30	40



CAUTION

After the confirmation of the above conditions, prepare the wiring as follows:

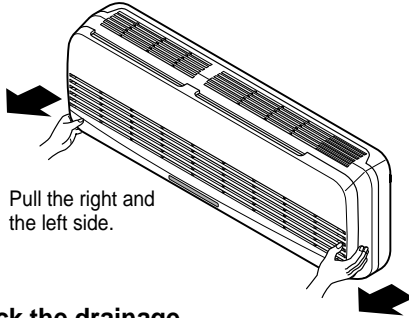
- 1) Never fail to have an individual power circuit specifically for the air conditioner. As for the method of wiring, be guided by the circuit diagram posted on the inside of control cover.
- 2) The screw which fasten the wiring in the casing of electrical fittings are liable to come loose from vibrations to which the unit is subjected during the course of transportation. Check them and make sure that they are all tightly fastened. (If they are loose, it could cause burn-out of the wires.)
- 3) Specification of power source.
- 4) Confirm that electrical capacity is sufficient.
- 5) See to that the starting voltage is maintained at more than 90 percent of the rated voltage marked on the name plate.
- 6) Confirm that the cable thickness is as specified in the power source specification. (Particularly note the relation between cable length and thickness. (Refer to page 30))
- 7) Always install an earth leakage circuit breaker in a wet or moist area.
- 8) The following would be caused by voltage drop.
 - Vibration of a magnetic switch, which will damage the contact point, fuse breaking, disturbance of the normal function of the overload.
- 9) The means for disconnection from a power supply shall be incorporated in the fixed wiring and have an air gap contact separation of at least 3mm in each active(phase) conductors.

4. Checking the Drainage and Forming the Pippings

1) Checking the drainage

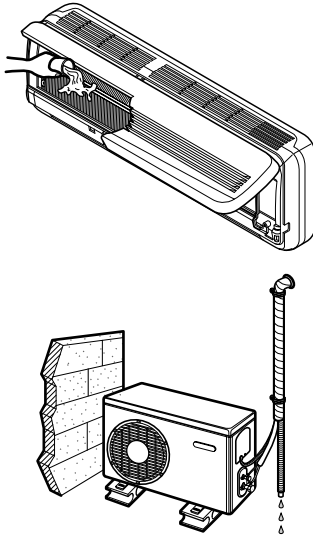
1. To remove the front panel from the indoor unit.

- Set the air direction louvers up-and-down to the position(horizontally) by hand.
- Remove the securing screws that retain the front panel. Pull the lower left and right sides of the grille toward you and lift it off.



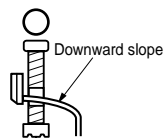
2. To check the drainage.

- Pour a glass of water on the evaporator.
- Ensure the water flows through the drain hose of the indoor unit without any leakage and goes out the drain exit.

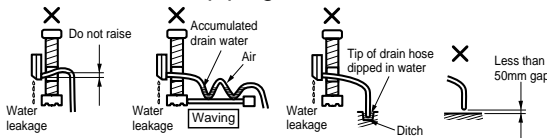


3. Drain piping

- The drain hose should point downward for easy drain flow.



- Do not make drain piping.



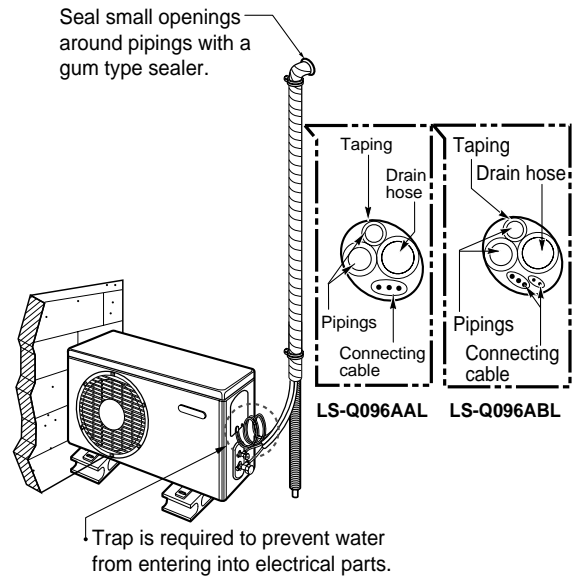
2) Form the piping

1. Form the piping by wrapping the connecting portion of the indoor unit with insulation material and secure it with two kinds of vinyl tapes.

- If you want to connect an additional drain hose, the end of the drain outlet should be routed above the ground. Secure the drain hose appropriately.

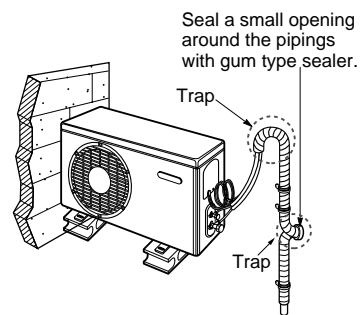
2. In cases where the outdoor unit is installed below the indoor unit perform the following.

- Tape the piping, drain hose and connecting cable from down to up.
- Secure the tapped piping along the exterior wall using saddle or equivalent.



3. In cases where the Outdoor unit is installed above the Indoor unit perform the following.

- Tape the piping and connecting cable from down to up.
- Secure the taped piping along the exterior wall. Form a trap to prevent water entering the room.
- Fix the piping onto the wall by saddle or equivalent.

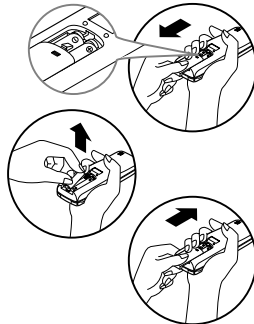


5. Test Running

1. Check that all tubing and wiring have been properly connected.
2. Check that the gas and liquid side service valves are fully open.

1. Prepare remote control

1. Remove the battery cover by pulling it according to the arrow direction.
2. Insert new batteries making sure that the (+) and (-) of battery are installed correctly.
3. Reattach the cover by pushing it back into position.

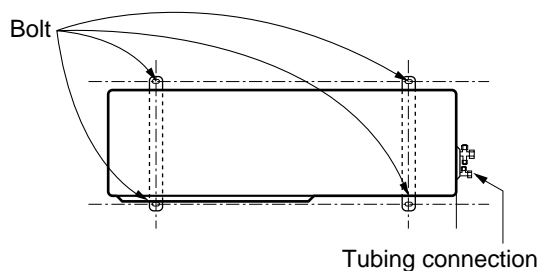


NOTE:

- Use 2 AAA(1.5volt) batteries. Do not use rechargeable batteries.
- Remove the batteries from the remote control if the system is not going to be used for a long time.

2. Settlement of outdoor unit

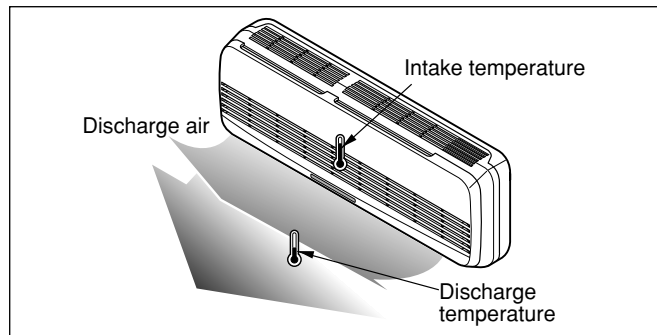
- Anchor the outdoor unit with a bolt and nut($\phi 10\text{mm}$) tightly and horizontally on a concrete or rigid mount.
- When installing on the wall, roof or rooftop, anchor the mounting base securely with a nail or wire assuming the influence of wind and earthquake.
- In the case when the vibration of the unit is conveyed to the hose, secure the unit with an anti-vibration bushing.



3. Evaluation of the performance

Operate unit for 15~20 minutes, then check the system refrigerant charge:

1. Measure the pressure of the gas side service valve.
2. Measure the temperature of the intake and discharge of air.
3. Ensure the difference between the intake temperature and the discharge is more than $8^{\circ}\text{C}(46^{\circ}\text{F})$ (Cooling) or (Heating).



4. For reference; the gas side pressure of optimum condition is as below.(Cooling)

Refrigerant	Outside ambient TEMP.	The pressure of the gas side service valve.
R-22	35°C (95°F)	$4\sim 5\text{kg}/\text{cm}^2\text{G}$ ($56.8\sim 71.0$ P.S.I.G.)

- NOTE:** If the actual pressure is higher than shown, the system is most likely over-charged, and charge should be removed. If the actual pressure are lower than shown, the system is most likely undercharged, and charge should be added.

The air conditioner is now ready for use.

PUMP DOWN

This is performed when the unit is to be relocated or the refrigerant circuit is serviced.

Pump Down means collecting all refrigerant in the outdoor unit without loss in refrigerant gas.

CAUTION:

Be sure to perform Pump Down procedure with the unit cooling mode.

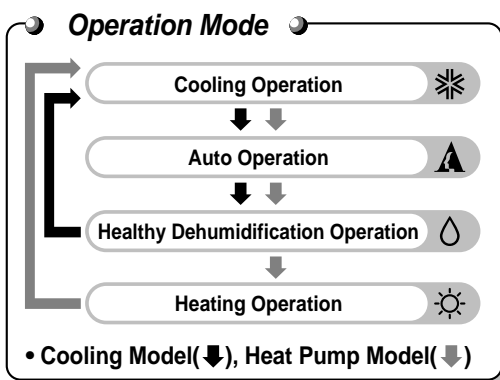
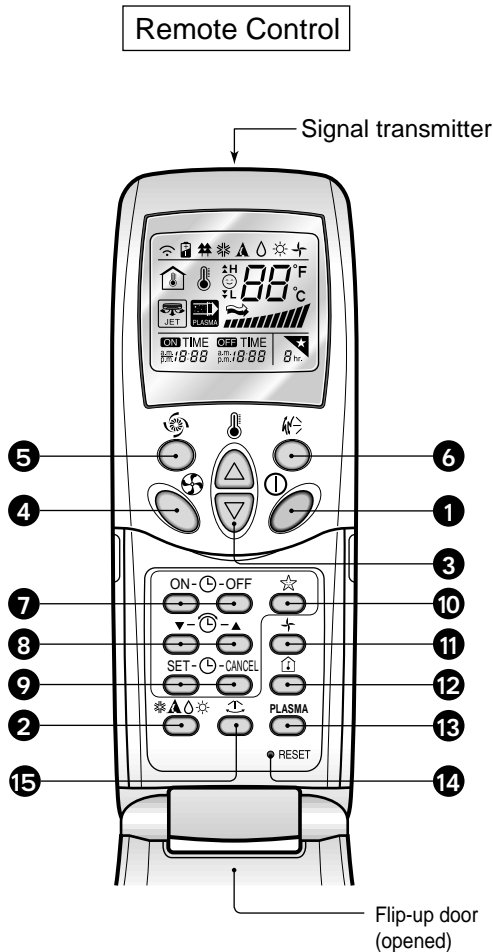
Pump Down Procedure

1. Connect a low-pressure gauge manifold hose to the charge port on the gas side service valve.
2. Open the gas side service valve halfway and purge the air from the manifold hose using the refrigerant gas.
3. Close the liquid side service valve(all the way in).
4. Turn on the unit's operating switch and start the cooling operation.
5. When the low-pressure gauge reading becomes 1 to $0.5\text{kg}/\text{cm}^2\text{G}$ (14.2 to 7.1 P.S.I.G.), fully close the gas side valve stem and then quickly turn off the unit. At that time, Pump Down has been completed and all refrigerant gas will have been collected in the outdoor unit.

Operation

Name and Function-Remote Control

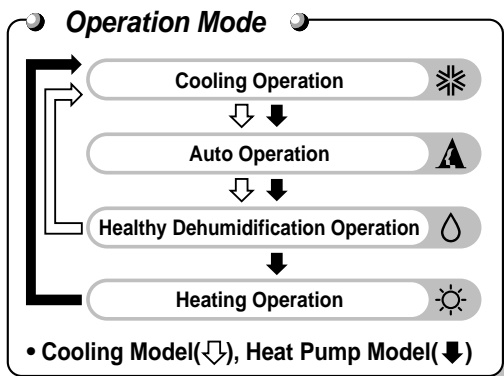
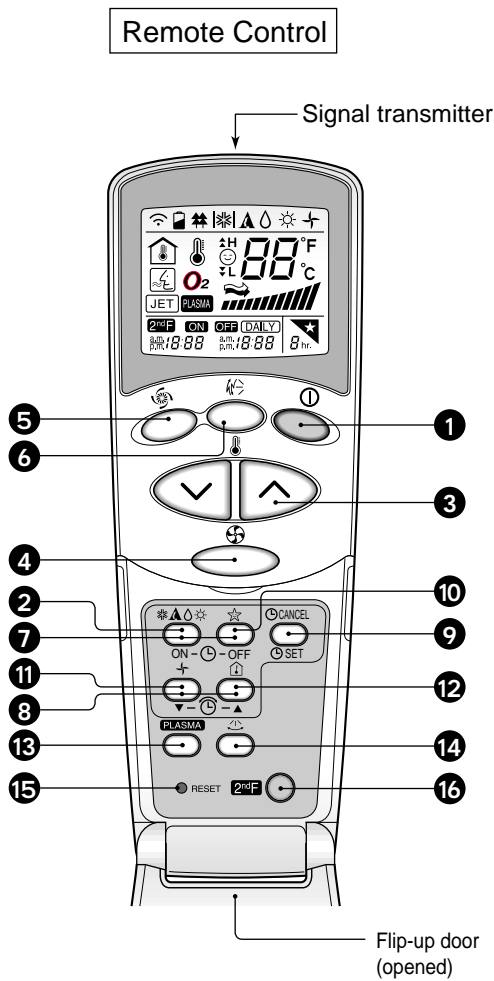
The remote control transmits the signals to the system.



- 1 START/STOP BUTTON**
Operation starts when this button is pressed and stops when the button is pressed again.
- 2 OPERATION MODE SELECTION BUTTON**
Used to select the operation mode.
- 3 ROOM TEMPERATURE SETTING BUTTONS**
Used to select the room temperature.
- 4 INDOOR FAN SPEED SELECTOR**
Used to select fan speed in four steps low, medium, high and CHAOS.
- 5 JET COOL**
Used to start or stop the speed cooling. (Speed cooling operates super high fan speed in cooling mode.)
- 6 CHAOS SWING BUTTON**
Used to stop or start louver movement and set the desired up/down airflow direction.
- 7 ON/OFF TIMER BUTTONS**
Used to set the time of starting and stopping operation.
- 8 TIME SETTING BUTTONS**
Used to adjust the time.
- 9 TIMER SET/CANCEL BUTTONS**
Used to set the timer when the desired time is obtained and to cancel the Timer operation.
- 10 SLEEP MODE AUTO BUTTON**
Used to set Sleep Mode Auto operation.
- 11 AIR CIRCULATION BUTTON**
Used to circulate the room air without cooling or heating.
- 12 ROOM TEMPERATURE CHECKING BUTTON**
Used to check the room temperature.
- 13 PLASMA(OPTION)**
Used to start or stop the plasma-purification function.
- 14 RESET BUTTON**
Used prior to resetting time or after replacing batteries.
- 15 HORIZONTAL AIRFLOW DIRECTION CONTROL BUTTON (NOT ON ALL MODELS)**
Used to set the desired horizontal airflow direction.

Name and Function-Remote Control

The remote control transmits the signals to the system.



- 1 START/STOP BUTTON**
Operation starts when this button is pressed and stops when the button is pressed again.
- 2 OPERATION MODE SELECTION BUTTON**
Used to select the operation mode.
- 3 ROOM TEMPERATURE SETTING BUTTONS**
Used to select the room temperature.
- 4 INDOOR FAN SPEED SELECTOR**
Used to select fan speed in four steps low, medium, high and CHAOS.
- 5 JET COOL**
Used to start or stop the speed cooling. (Speed cooling operates super high fan speed in cooling mode.)
- 6 CHAOS SWING BUTTON**
Used to stop or start louver movement and set the desired up/down airflow direction.
- 7 ON/OFF TIMER BUTTONS**
Used to set the time of starting and stopping operation.
- 8 TIME SETTING BUTTONS**
Used to adjust the time.
- 9 TIMER SET/CANCEL BUTTON**
Used to set the timer when the desired time is obtained and to cancel the Timer operation.
- 10 SLEEP MODE AUTO BUTTON**
Used to set Sleep Mode Auto operation.
- 11 AIR CIRCULATION BUTTON**
Used to circulate the room air without cooling or heating.
- 12 ROOM TEMPERATURE CHECKING BUTTON**
Used to check the room temperature.
- 13 PLASMA(OPTIONAL)**
Used to start or stop the plasma-purification function.
- 14 HORIZONTAL AIRFLOW DIRECTION CONTROL BUTTON (NOT ON ALL MODELS)**
Used to set the desired horizontal airflow direction.
- 15 RESET BUTTON**
Used prior to resetting time or after replacing batteries.
- 16 2nd F Button**
Used prior to using modes printed in blue at the bottom of buttons.

Disassembly of the parts (Indoor unit)

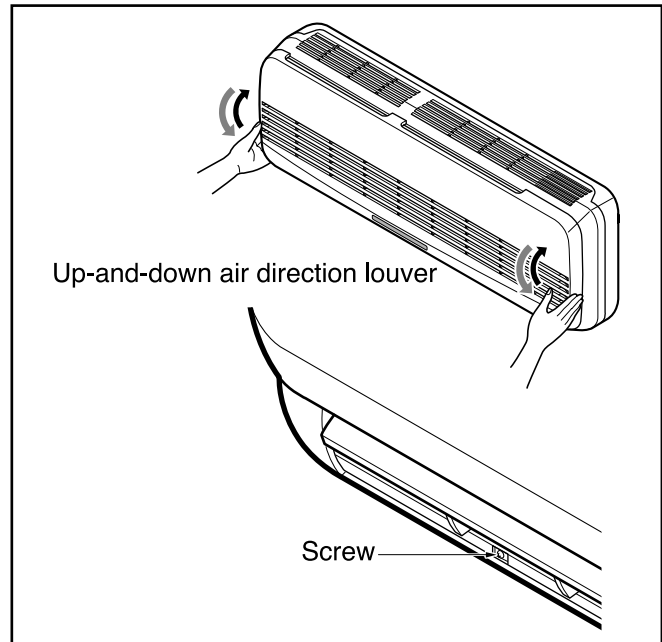
Warning :

Disconnect the unit from power supply before making any checks.

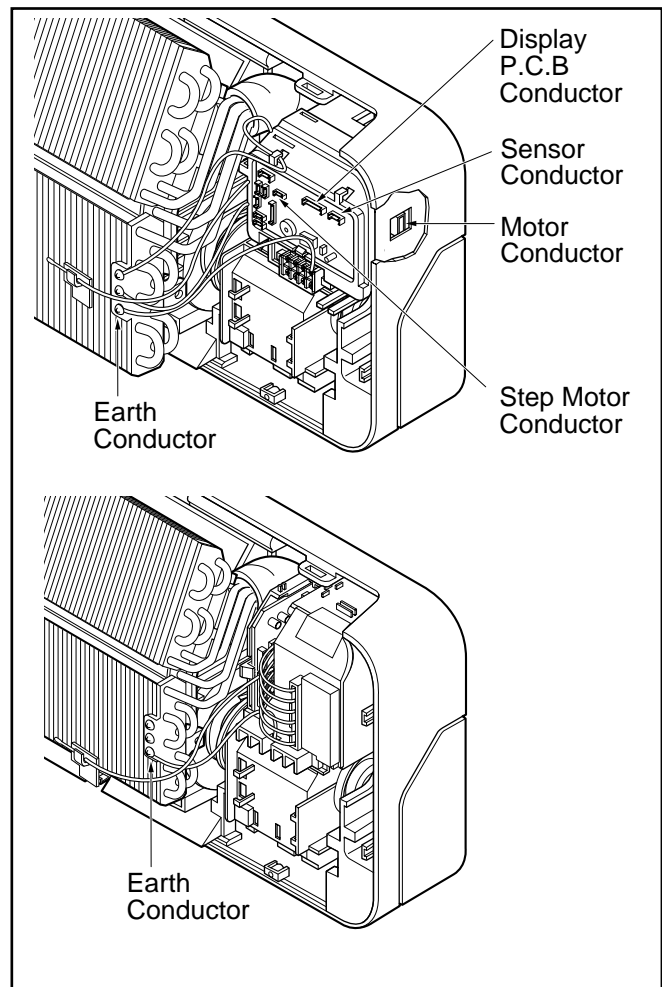
Be sure the power switch is set to "OFF".

To remove the Grille from the Chassis.

- Set the up-and-down air discharge louver to open position (horizontally) by finger pressure.
- Remove the securing screws.
- To remove the Grille, pull the lower left and right side of the grille toward you (slightly tilted) and lift it straight upward.

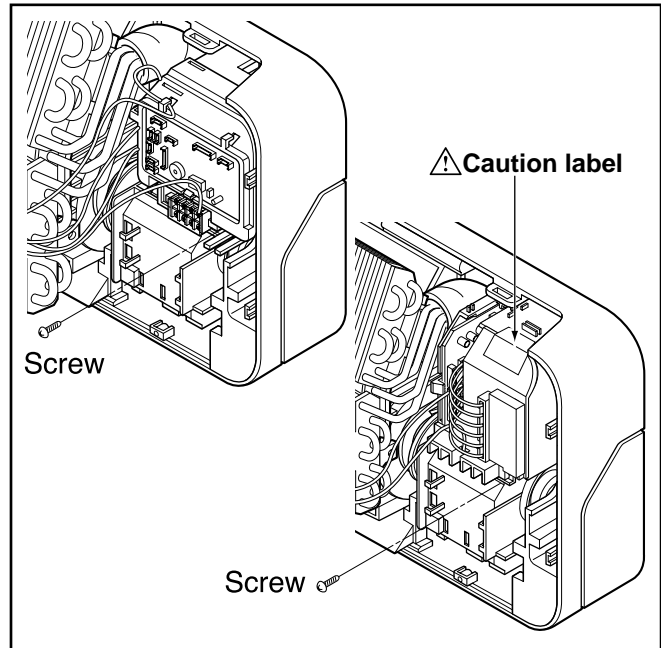


1. Before removing the control box, be sure to take out the wire screwed at the other end.



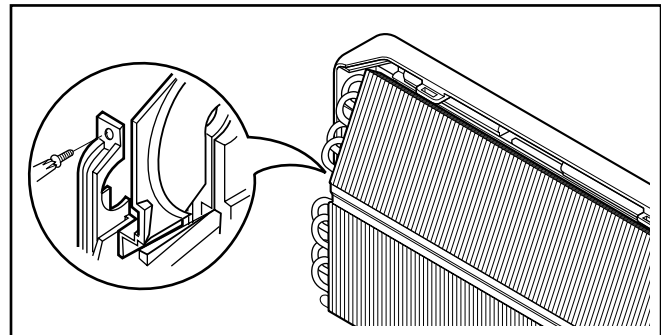
2. To remove the Control Box.

- Remove securing screws.
- Pull the control box out from the chassis carefully.



3. To remove the Discharge Grille.

- Unhook the discharge grille and pull the discharge grille out from the chassis carefully.

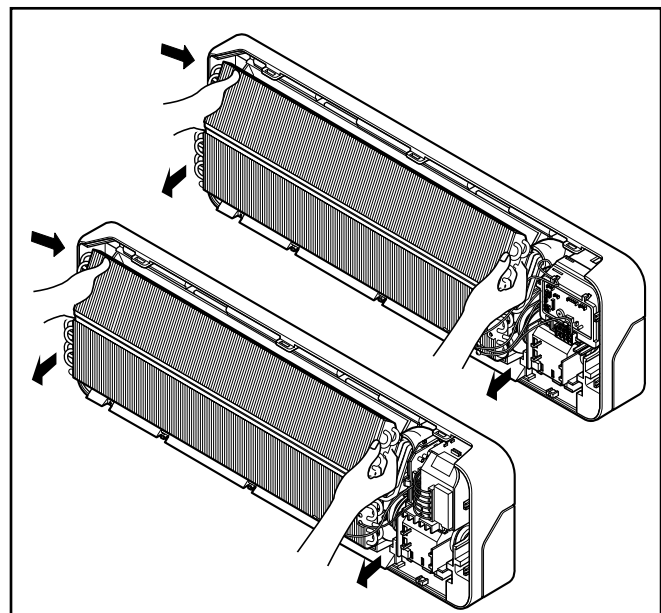


4. To remove the Evaporator.

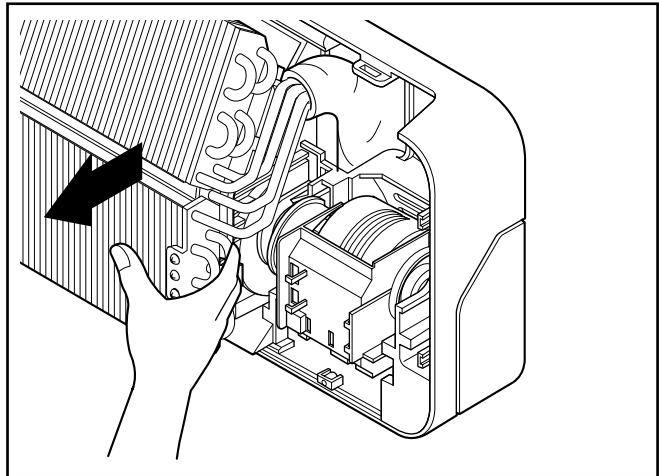
- Remove 3 screws securing the evaporator(at the left 2EA in the Eva Holder, at the right 1EA).

⚠ Caution label

When repair, do not damage the Caution label.

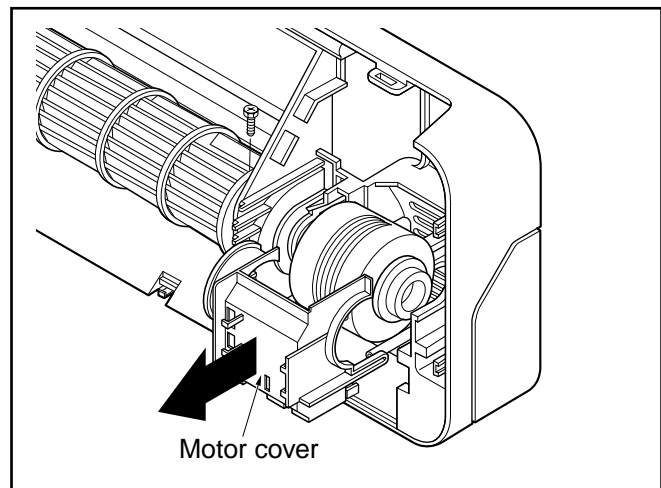


- Unhook the tab on the right inside of the chassis at the same time, slightly pull the evaporator toward you until the tab is clear of the slot.



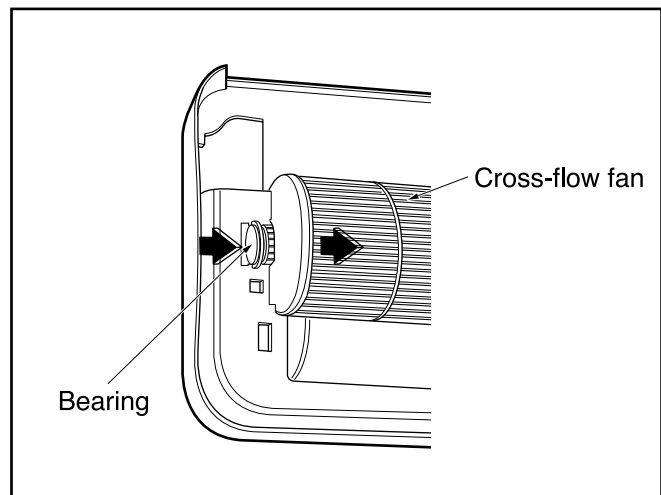
5. To remove the Motor Cover

- Remove 2 securing screw.
- Pull the motor cover out from the chassis carefully.



6. To remove the Cross-Flow Fan

- Loosen the screw securing the cross-flow fan to the fan motor (do not remove).
- Lift up the right side of the cross-flow fan and the fan motor, separate the fan motor from the cross-flow fan.



- Remove the left end of the cross-flow fan from the self-aligning bearing.

2-way, 3-way Valve

		2-way Valve (Liquid Side)	3-way Valve (Gas Side)	
Works		Shaft position	Shaft position	Service port
Shipping		Closed (with valve cap)	Closed (with valve cap)	Closed (with cap)
1.	Air purging (Installation)	Open (counter-clockwise)	Closed (clockwise)	Open (push-pin or with vacuum pump)
Operation		Open (with valve cap)	Open (with valve cap)	Closed (with cap)
2.	Pumping down (Transferring)	Closed (clockwise)	Open (counter-clockwise)	Open (connected manifold gauge)
3.	Evacuation (Servicing)	Open	Open	Open (with charging cylinder)
4.	Gas charging (Servicing)	Open	Open	Open (with charging cylinder)
5.	Pressure check (Servicing)	Open	Open	Open (with charging cylinder)
6.	Gas releasing (Servicing)	Open	Open	Open (with charging cylinder)

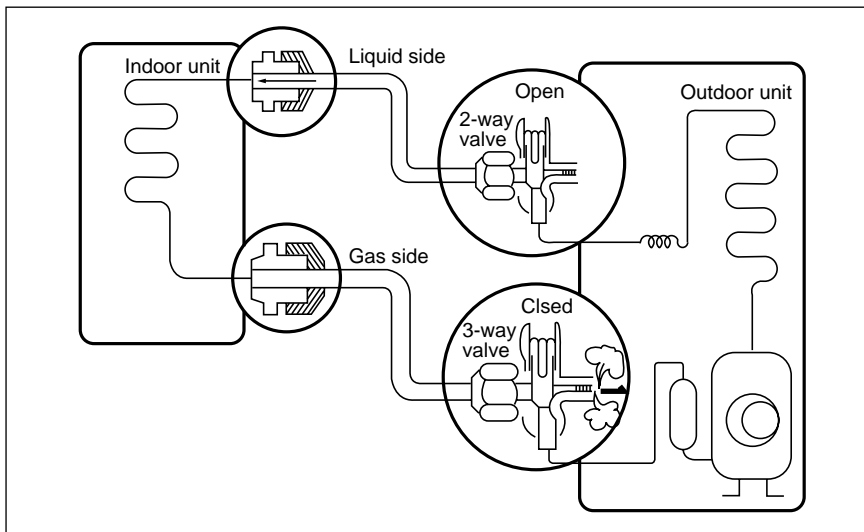
1. Air purging

Required tools : hexagonal wrench, adjustable wrench, torque wrenches, wrench to hold the joints, and gas leak detector.

The additional gas for air purging has been charged in the outdoor unit.

However, if the flare connections have not be done correctly and there gas leaks, a gas cylinder and the charge set will be needed.

The air in the indoor unit and in the piping must be purged. If air remains in the refrigeration pipes, it will affect the compressor, reduce to cooling capacity, and could lead to a malfunction.



Service port nut:

Be sure, using a torque wrench to tighten the service port nut (after using the service port), so that it prevents the gas leakage from the refrigeration cycle.

* **⚠ CAUTION : Do not leak the gas in the air during Air purging.**

• Procedure

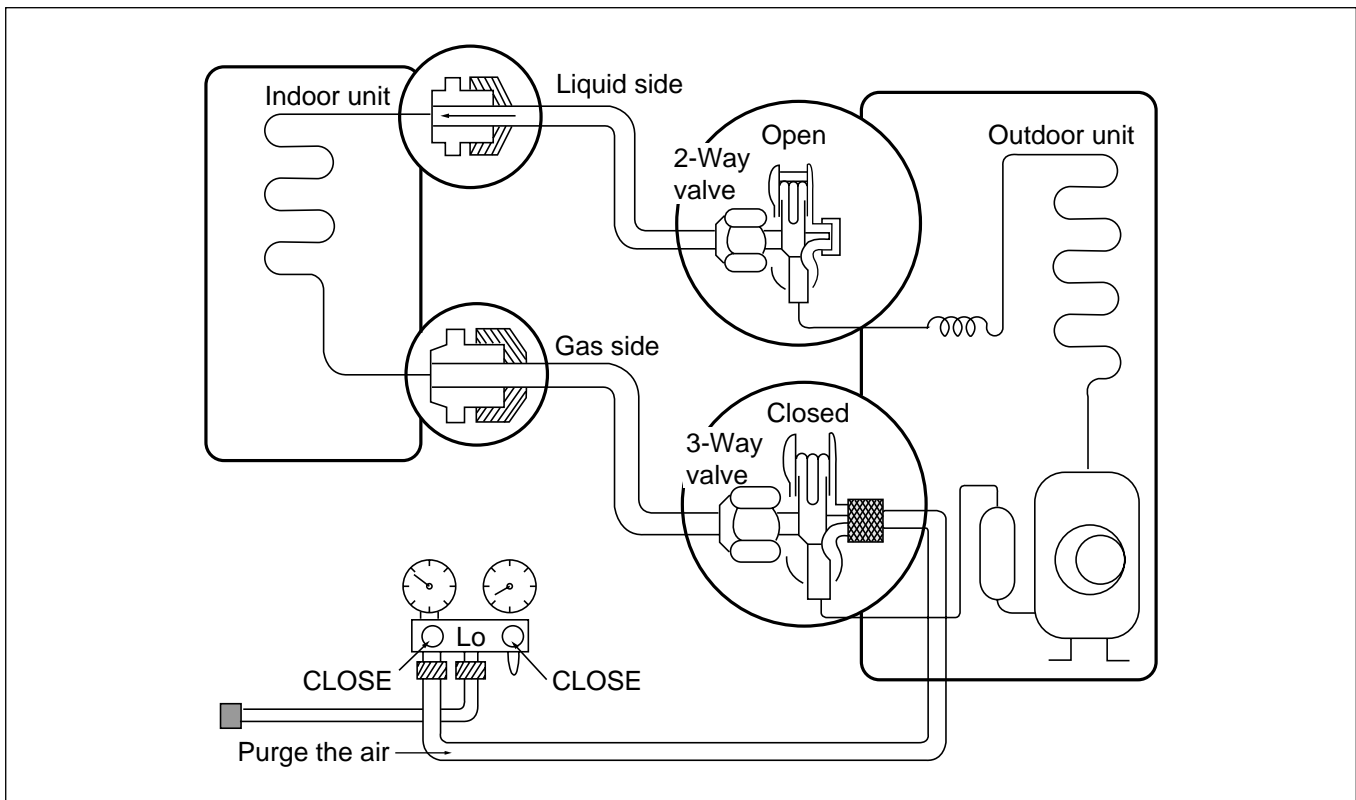
- (1) Recheck the piping connections.**
- (2) Open the valve stem of the 2-way valve counterclockwise approximately 90°, wait 10 seconds, and then set it to closed position.**
 - Be sure to use a hexagonal wrench to operate the valve stem.
- (3) Check for gas leakage.**
 - Check the flare connections for gas leakage.
- (4) Purge the air from the system.**
 - Set the 2-way valve to the open position and remove the cap from the 3-way valve's service port.
 - Using the hexagonal wrench to press the valve core pin, discharge for three seconds and then wait for one minute. Repeat this three times.
- (5) Use torque wrench to tighten the service port nut to a torque of 1.8kg.cm.**
- (6) Set the 3-way valve to the back seat.**
- (7) Mount the valve stem nuts to the 2-way and 3-way valves.**
- (8) Check for gas leakage.**
 - At this time, especially check for gas leakage from the 2-way and 3-way valve's stem nuts, and from the service port nut.

⚠ Caution

If gas leakage are discovered in step (3) above, take the following mesures :

If the gas leaks stop when the piping connections are tightened further, continue working from step (4).
If the gas leaks do not stop when the connections are retightened, repair the location of the leak, discharge all of the gas through the service port, and then recharge with the specified amount of gas from a gas cylinder.

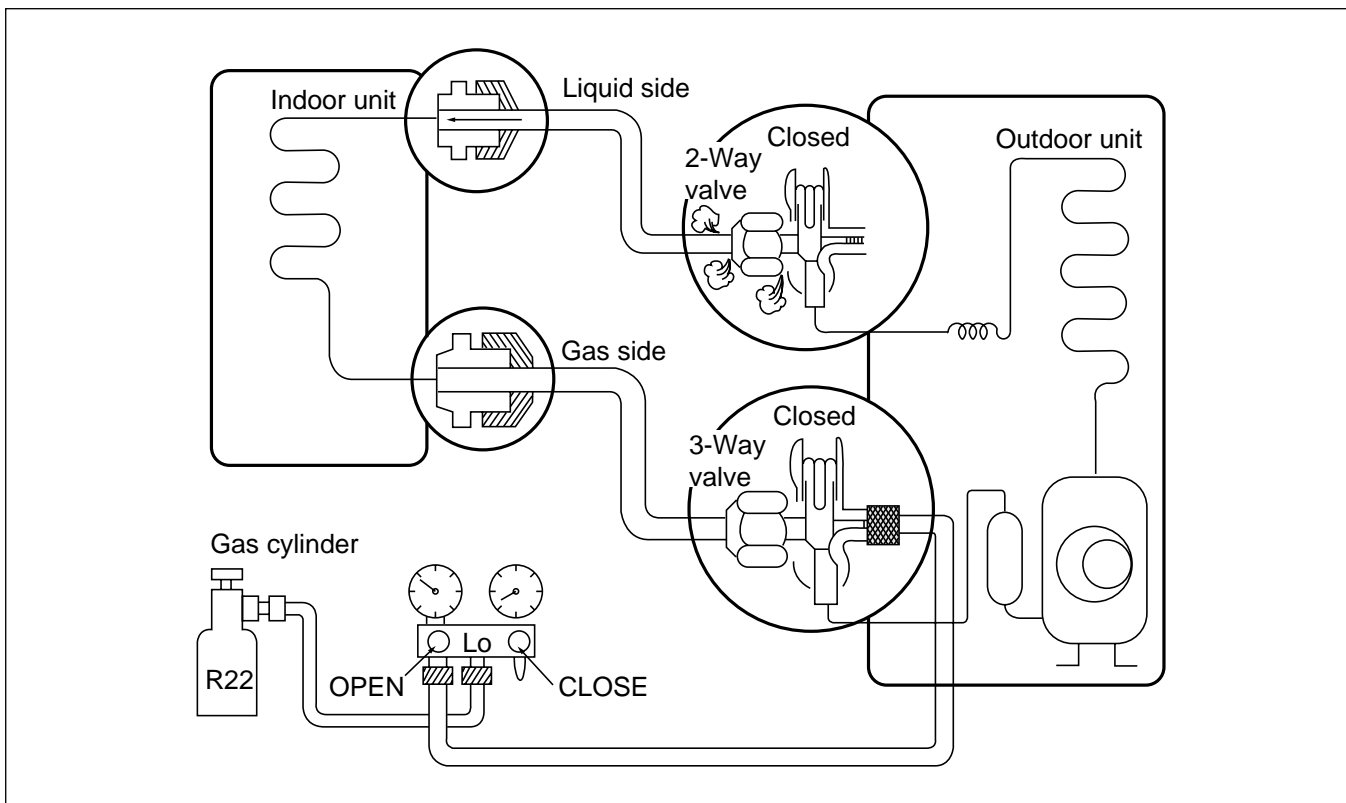
2. Pumping down



• Procedure

- (1) Confirm that both the 2-way and 3-way valves are set to the open position.**
 - Remove the valve stem caps and confirm that the valve stems are in the raised position.
 - Be sure to use a hexagonal wrench to operate the valve stems.
- (2) Operate the unit for 10 to 15 minutes.**
- (3) Stop operation and wait for 3 minutes, then connect the charge set to the service port of the 3-way valve.**
 - Connect the charge hose with the push pin to the service port.
- (4) Air purging of the charge hose.**
 - Open the low-pressure valve on the charge set slightly to air purge from the charge hose.
- (5) Set the 2-way valve to the closed position.**
- (6) Operate the air conditioner at the cooling cycle and stop it when the gauge indicates $1\text{kg/cm}^2\text{g}$.**
- (7) Immediately set the 3-way valve to the closed position.**
 - Do this quickly so that the gauge ends up indicating 3 to $5\text{kg/cm}^2\text{g}$.
- (8) Disconnect the charge set, and mount the 2-way and 3-way valve's stem nuts and the service port nut.**
 - Use torque wrench to tighten the service port nut to a torque of 1.8 kg.m .
 - Be sure to check for gas leakage.

1) Re-air purging (Re-installation)



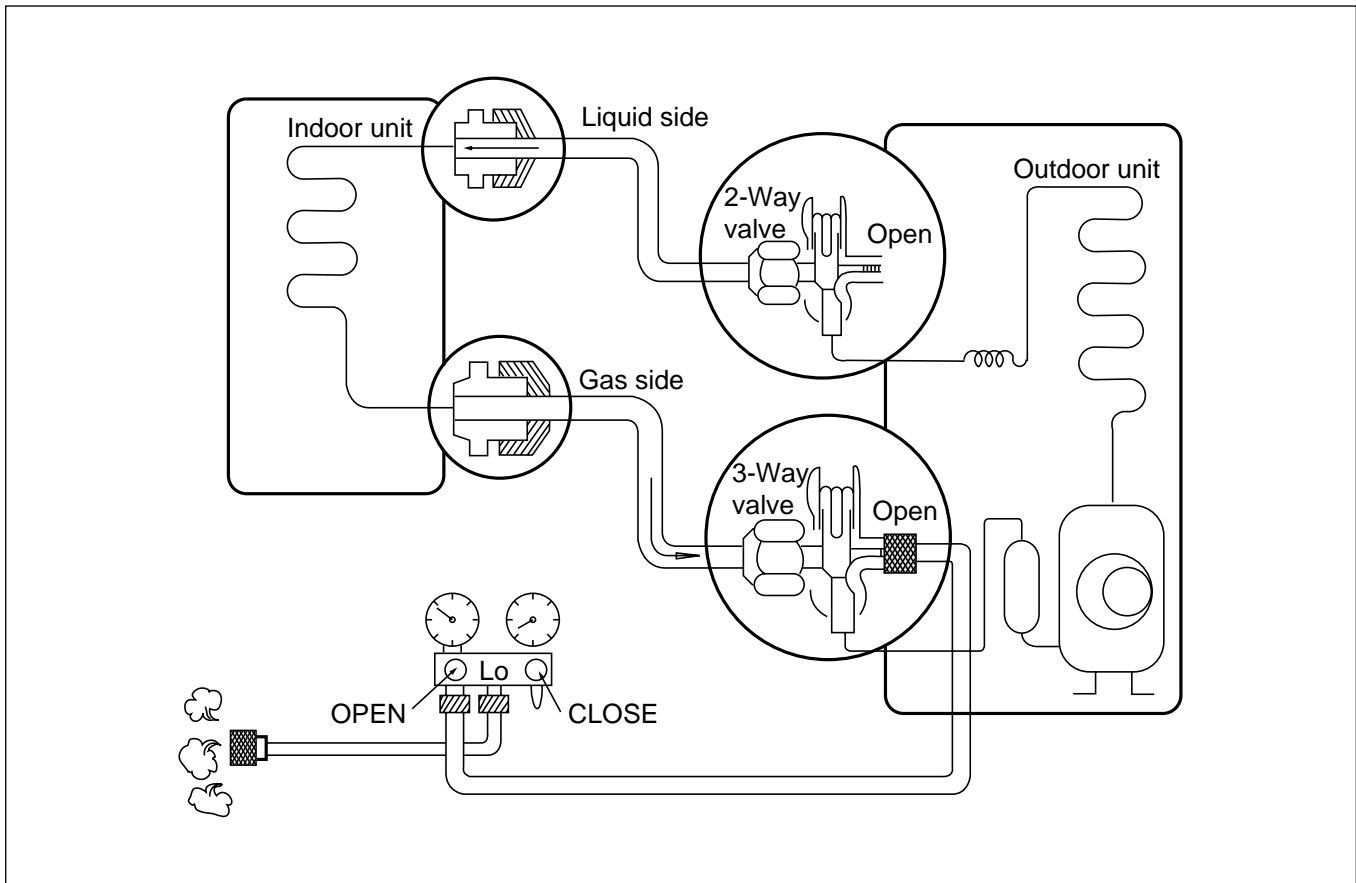
• Procedure

- (1) **Confirm that both the 2-way valve and the 3-way valve are set to the closed position.**
- (2) **Connect the charge set and a gas cylinder to the service port of the 3-way valve.**
 - Leave the valve on the gas cylinder closed.
- (3) **Air purging.**
 - Open the valves on the gas cylinder and the charge set. Purge the air by loosening the flare nut on the 2-way valve approximately 45° for 3 seconds then closing it for 1 minute; repeat 3 times.
 - After purging the air, use a torque wrench to tighten the flare nut on the 2-way valve.
- (4) **Check for gas leakage.**
 - Check the flare connections for gas leakage.
- (5) **Discharge the refrigerant.**
 - Close the valve on the gas cylinder and discharge the refrigerant until the gauge indicates 3 to 5 kg/cm²g.
- (6) **Disconnect the charge set and the gas cylinder, and set the 2-way and 3-way valves to the open position.**
 - Be sure to use a hexagonal wrench to operate the valve stems.
- (7) **Mount the valve stem nuts and the service port nut.**
 - Use torque wrench to tighten the service port nut to a torque of 1.8 kg.m.
 - Be sure to check for gas leakage.

* **⚠ CAUTION:**
Do not leak the gas in the air during Air Purging.

2) Balance refrigerant of the 2-way, 3-way valves

(Gas leakage)



• Procedure

(1) Confirm that both the 2-way and 3-way valves are set to the back seat.

(2) Connect the charge set to the 3-way valve's port.

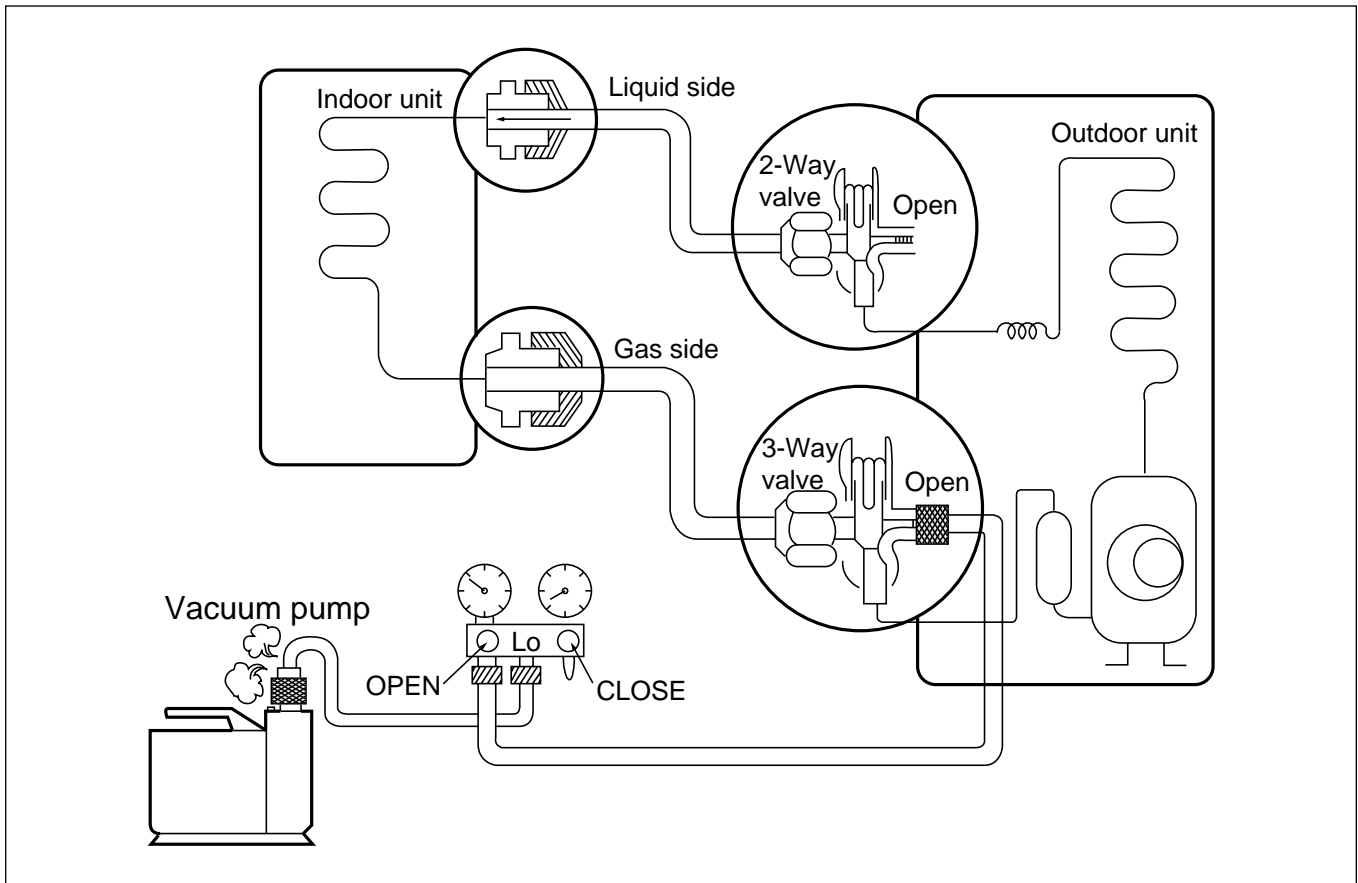
- Leave the valve on the charge set closed.
- Connect the charge hose with the push pin to the service port.

(3) Open the valve (Lo side) on the charge set and discharge the refrigerant until the gauge indicates 0 kg/cm²G.

- If there is no air in the refrigerant cycle (the pressure when the air conditioner is not running is higher than 1 kg/cm²G), discharge the refrigerant until the gauge indicates 0.5 to 1 kg/cm²G. If this is the case, it will not be necessary to apply a vacuum.
- Discharge the refrigerant gradually; if it is discharged too suddenly, the refrigeration oil will also be discharged.

3. Evacuation

(All amount of refrigerant leaked)

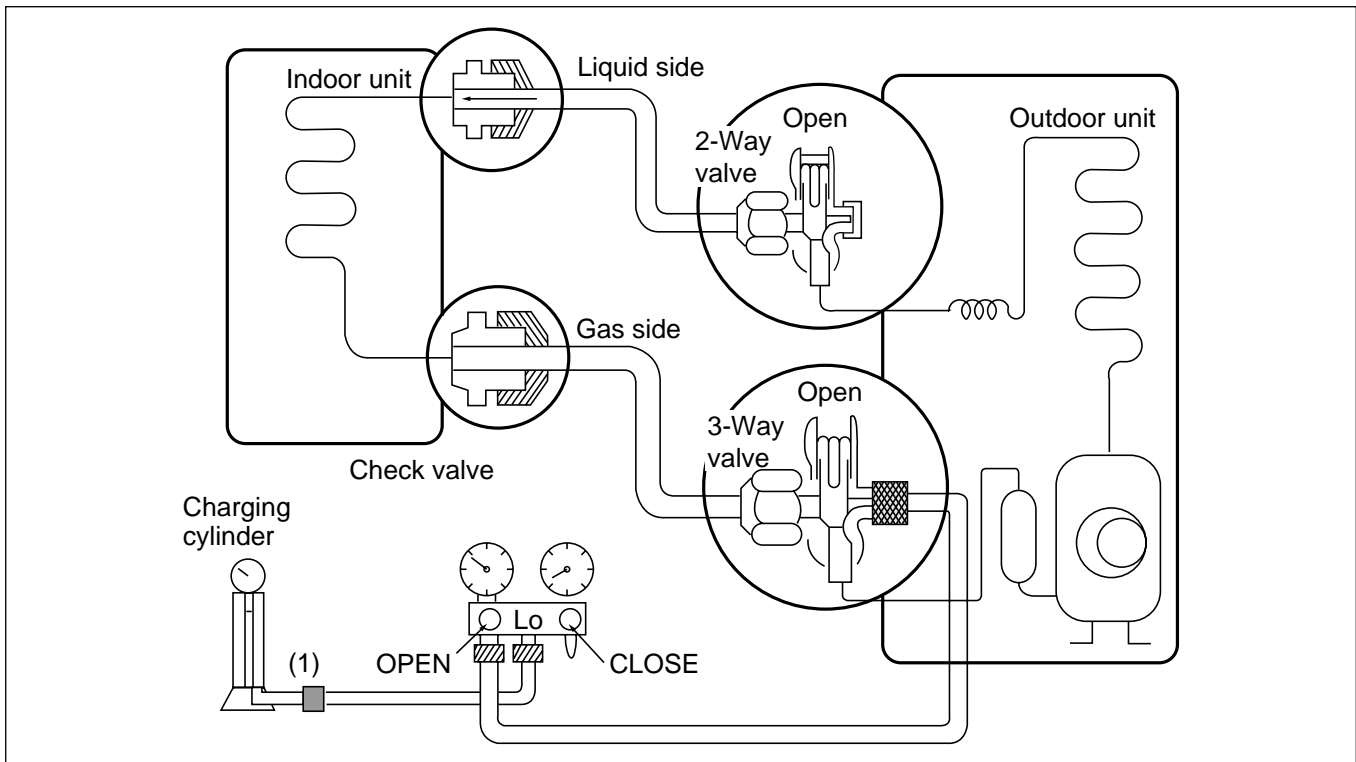


• Procedure

- (1) Connect the vacuum pump to the charge set's center hose
- (2) Evacuation for approximately one hour.
 - Confirm that the gauge needle has moved toward -76 cmHg (vacuum of 4 mmHg or less).
- (3) Close the valve (Lo side) on the charge set, turn off the vacuum pump, and confirm that the gauge needle does not move (approximately 5 minutes after turning off the vacuum pump).
- (4) Disconnect the charge hose from the vacuum pump.
 - Vacuum pump oil.
If the vacuum pump oil becomes dirty or depleted, replenish as needed.

4. Gas Charging

(After Evacuation)



• Procedure

(1) Connect the charge hose to the charging cylinder.

- Connect the charge hose which you disconnected from the vacuum pump to the valve at the bottom of the cylinder.
- If you are using a gas cylinder, also use a scale and reverse the cylinder so that the system can be charged with liquid.

(2) Purge the air from the charge hose.

- Open the valve at the bottom of the cylinder and press the check valve on the charge set to purge the air. (Be careful of the liquid refrigerant). The procedure is the same if using a gas cylinder.

(3) Open the valve (Lo side on the charge set and charge the system with liquid refrigerant.

- If the system can not be charged with the specified amount of refrigerant, it can be charged with a little at a time (approximately 150g each time) while operating the air conditioner in the cooling cycle; however, one time is not sufficient, wait approximately 1 minute and then repeat the procedure (pumping down-pin).

This is different from previous procedures. Because you are charging with liquid refrigerant from the gas side, absolutely do not attempt to charge with larger amounts of liquid refrigerant while operating the air conditioner.

(4) Immediately disconnect the charge hose from the 3-way valve's service port.

- Stopping partway will allow the gas to be discharged.
- If the system has been charged with liquid refrigerant while operating the air conditioner turn off the air conditioner before disconnecting the hose.

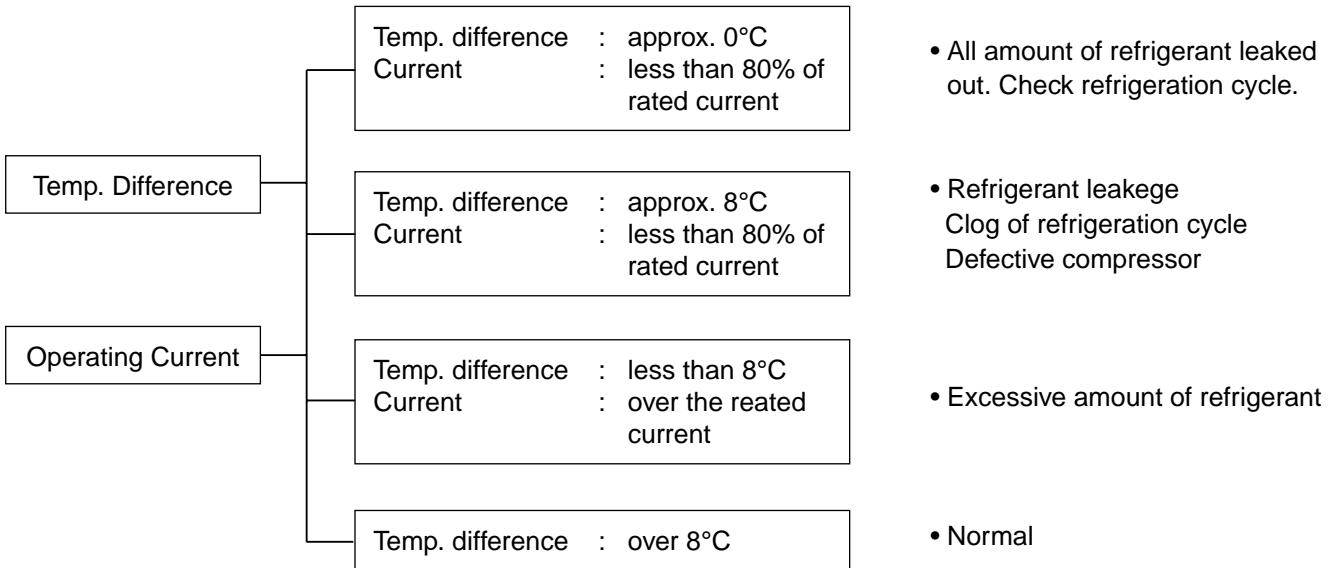
(5) Mount the valve stem nuts and the service port nut.

- Use torque wrench to tighten the service port nut to a torque of 1.8 kg.m.
- Be sure to check for gas leakage.

Cycle Troubleshooting Guide

Trouble analysis

1. Check temperature difference between intake and discharge air and operating current.



Notice :

Temperature difference between intake and discharge air depends on room air humidity. When the room air humidity is relatively higher, temperature difference is smaller. When the room air humidity is relatively lower temperature difference is larger.

2. Check temperature and pressure of refrigeration cycle.

Suction pressure (Compared with the normal value)	Temperature (Compared with the normal valve)	Cause of Trouble	Description
Higher	High	Defective compressor Defective 4-way reverse valve	Current is low.
	Normal	Excessive amount of refrigerant	High pressure does not quickly rise at the beginning of operation.
Lower	Higher	Insufficient amount of refrigerant (Leakage) Clogging	Current is low. Current is low.

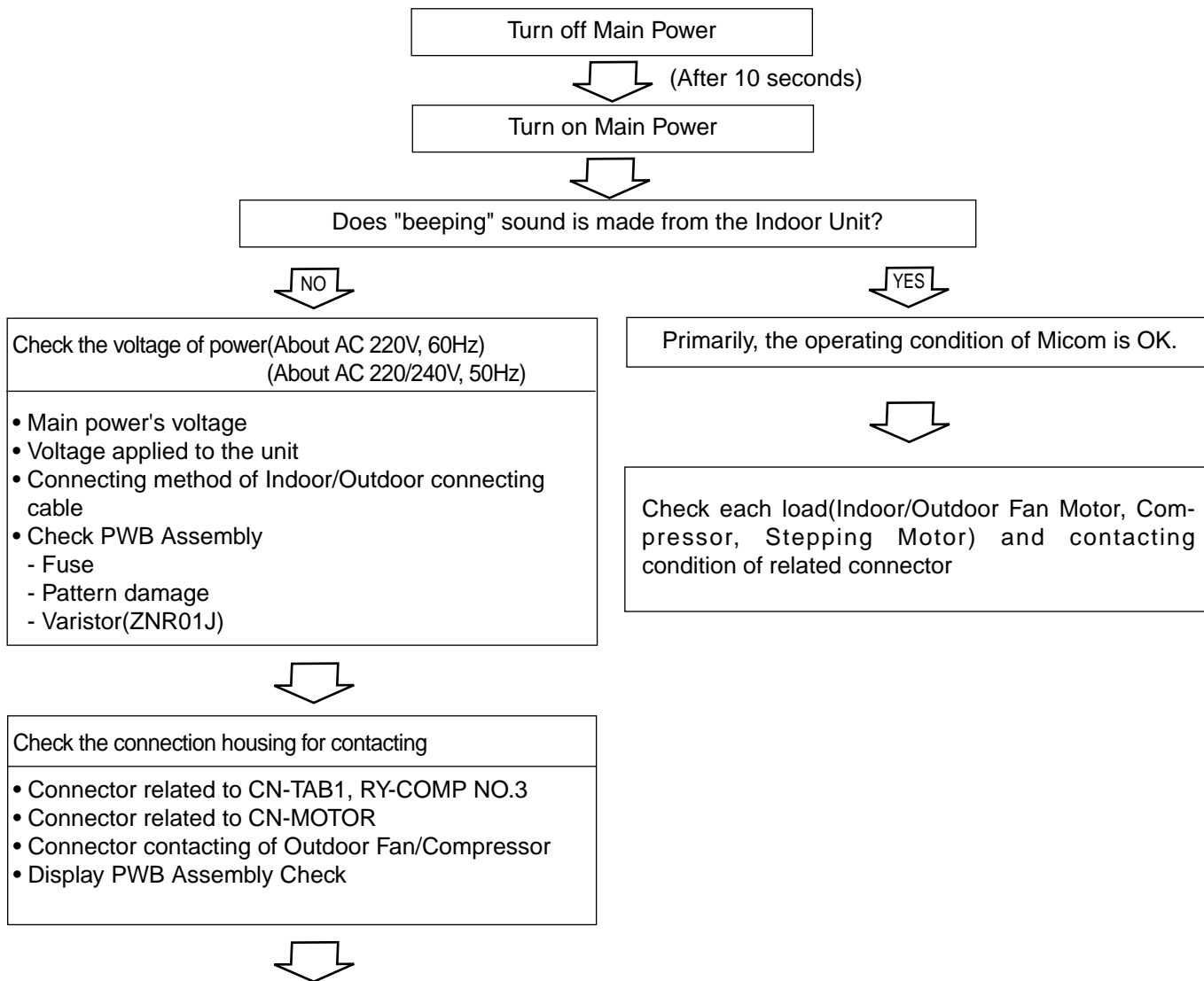
Notice :

1. The suction pressure is usually 4.5~6.0 kg/cm²G(Cooling) at normal condition.
2. The temperature can be measured by attaching the thermometer to the low pressure tubing and wrap it with putty.

Electronic Parts Troubleshooting Guide

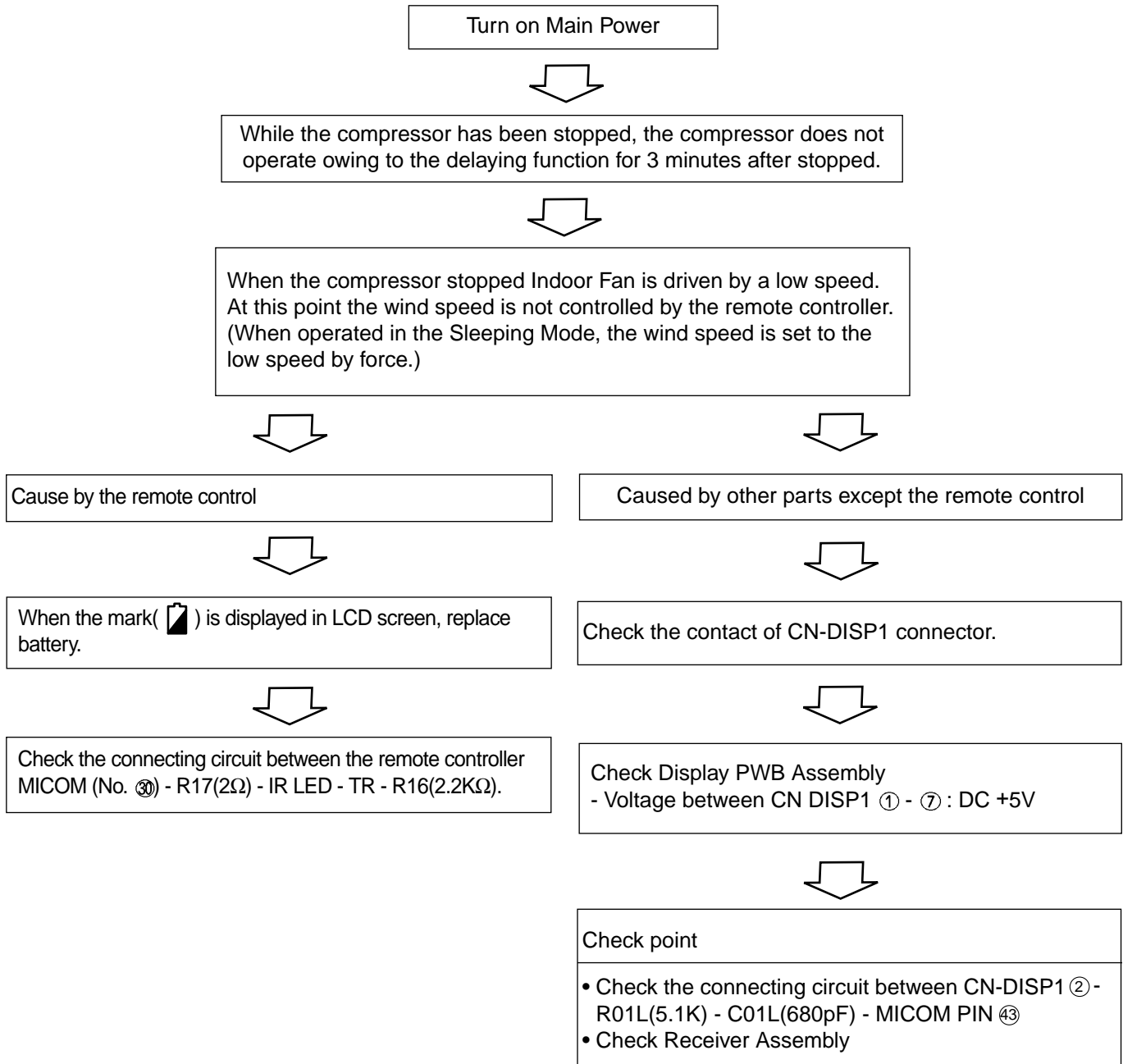
1. Product does not operate at all.

(* Refer to Electronic Control Device drawing and Schematic diagram.)

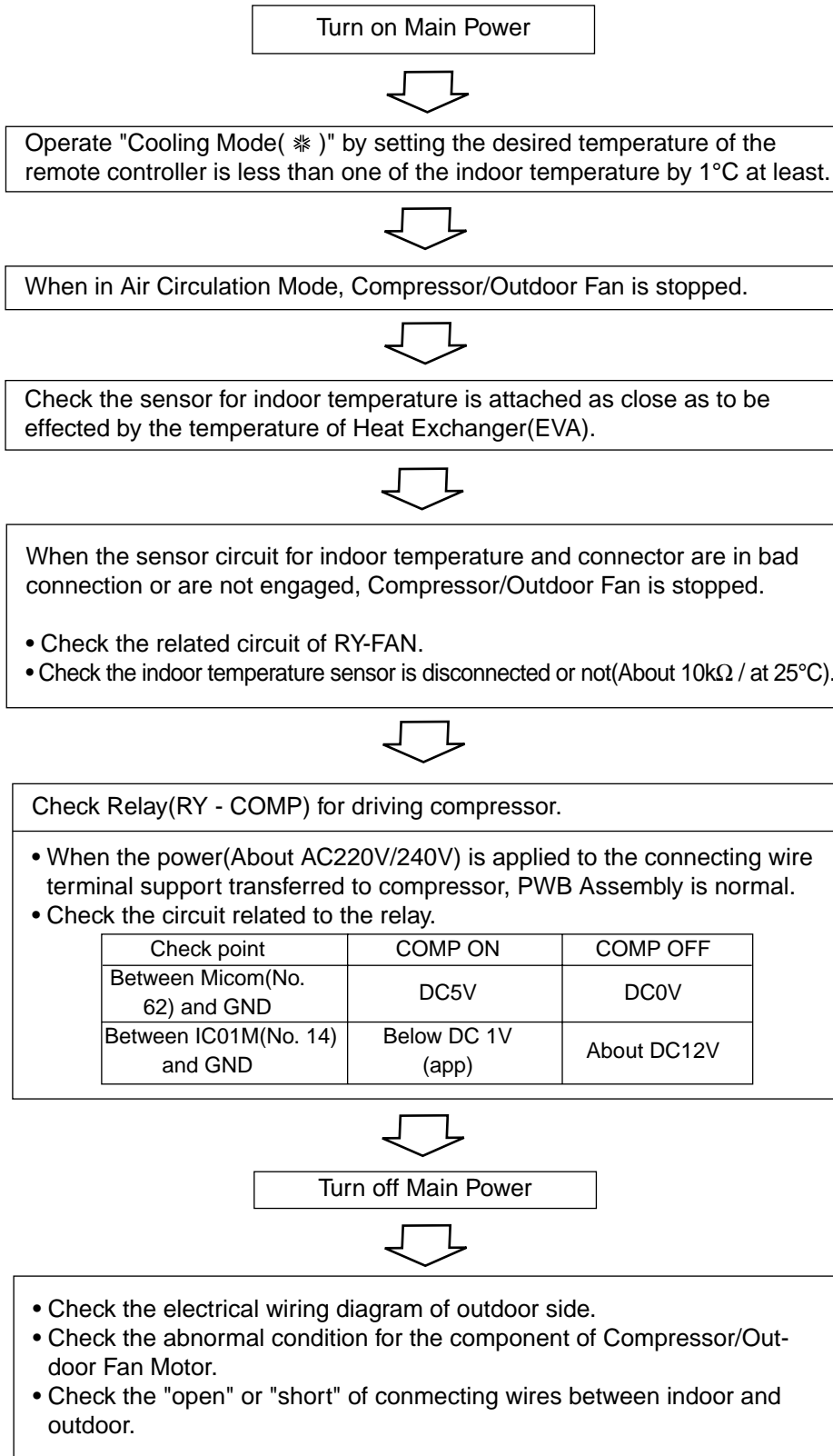


Main PCB Board Operation Check		
Items	Content	Remedy
<ul style="list-style-type: none"> • SMPS Transformer (Indoor unit) - Input Voltage - Output Voltage(ZD02D) <li style="text-align: center;">↓ • IC04D(7805) Output (Indoor/Outdoor unit) <li style="text-align: center;">↓ • IC01A(KIA7036, Reset IC) X01(8MHz) 	<ul style="list-style-type: none"> - About AC220V/240V±10% - Check the power voltage - About DC12V • DC +5V • Voltage of Micom No. 2, (DC +4.5V over) and Soldering condition. 	<ul style="list-style-type: none"> • Replace Trans • Replace IC04D • Replace faulty parts

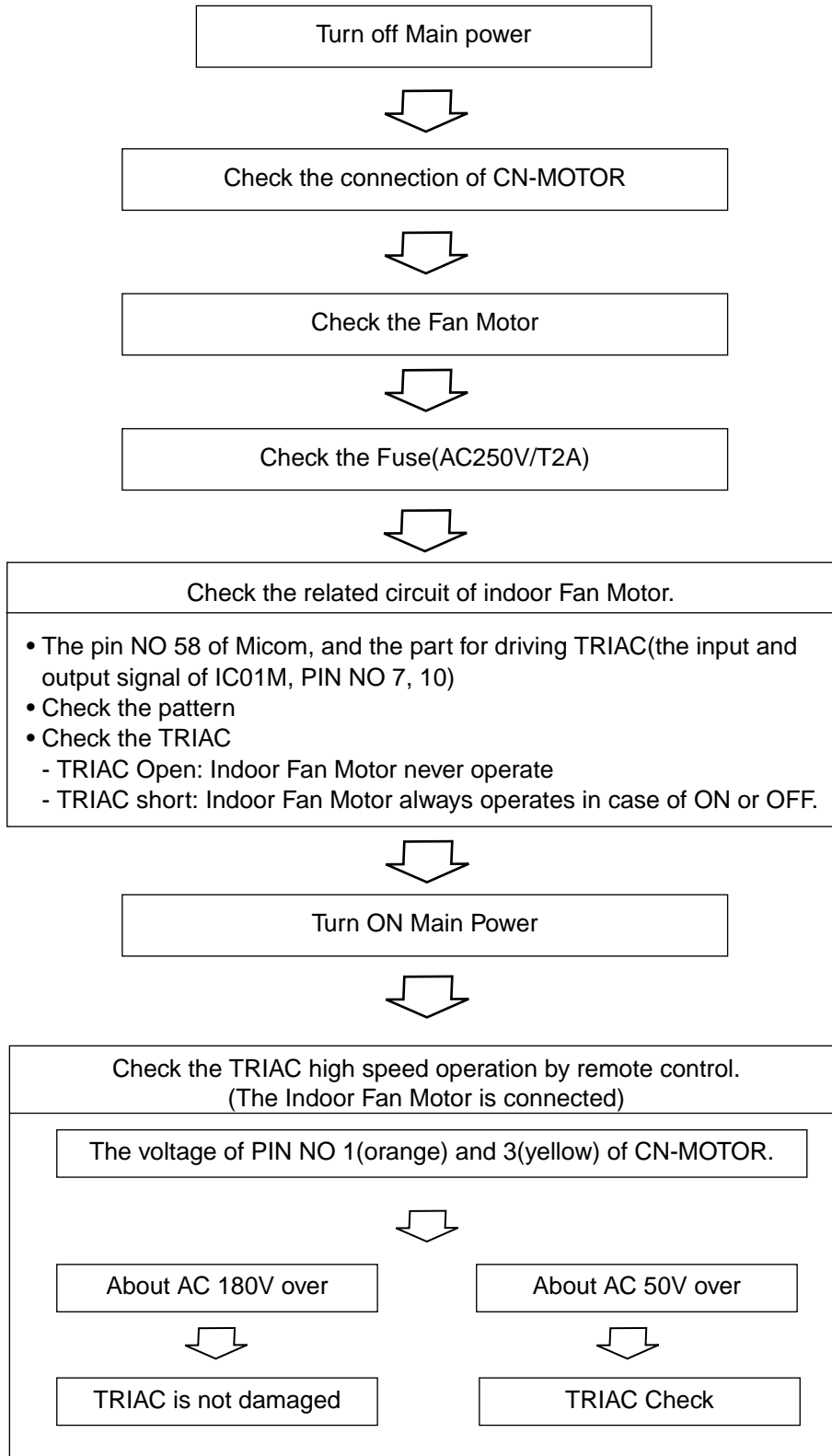
2. The product is not operate with the remote control.



3. Compressor/Outdoor Fan are unable to drive.



4. When indoor Fan does not operate.



5. When Vertical Louver does not operate.

- Confirm that the Vertical Louver is normally geared with the shaft of Stepping Motor.
- If the regular torque is detected when rotating the Vertical Louver with hands ⇒ Normal



- Check the connecting condition of CN-U/D Connector
- Check the soldering condition(on PWB) of CN-U/D Connector



Check the operating circuit of the Vertical Louver

- Confirm that there is DC +12V between pin①(REDF) of CN-U/D and GND.
- Confirm that there is a soldering short at following terminals.
 - Between ⑥⑩, ⑥⑪, ⑥⑫ and ⑥⑬ of MICOM
 - Between ②, ③, ④ and ⑤ of IC01M
 - Between ⑮, ⑭, ⑬ and ⑫ of IC01M



If there are no problems after above checks

- Confirm the assembly conditions that are catching and interfering parts in the rotation radial of the Vertical Louver

6. When Heating does not operate

Turn ON Main Power



Operate "Heating Mode(☀)" by setting the desired temperature of the remote control is higher than one of the indoor temperature by 2°C at least.



In heating Mode, the indoor fan operates in case the pipe temperature is higher than 28°C.



Check the connector of intake and pipe sensor(thermistors)

- Check the related circuit of RY-4WAY
- Check the indoor room temperature is disconnected or not (about 10KΩ/at 25°C).
- Check the indoor pipe temperature is disconnected or not (about 5KΩ/at 25°C).



Check the DC voltage on the PWB ASSEMBLY

- The details of check are as followings

- Comp Relay.

Check point	Comp ON	Comp OFF
Between Micom (NO.59) and GND	DC 5V	DC 0V
Between IC01M (NO.11) and GND	Below DC 1V	About DC 12V

- Outdoor fan Relay

Check point	Fan ON	Fan OFF
Between Micom (NO.53) and GND	DC 5V	DC 0V
Between IC02M (NO.12) and GND	Below DC 1V	About DC 12V

- 4 way Relay

Check point	4 way ON	4 way OFF
Between Micom (NO.51) and GND	DC 5V	DC 0V
Between IC02M (NO.11) and GND	Below DC 1V	About DC 12V



Turn off Main Power

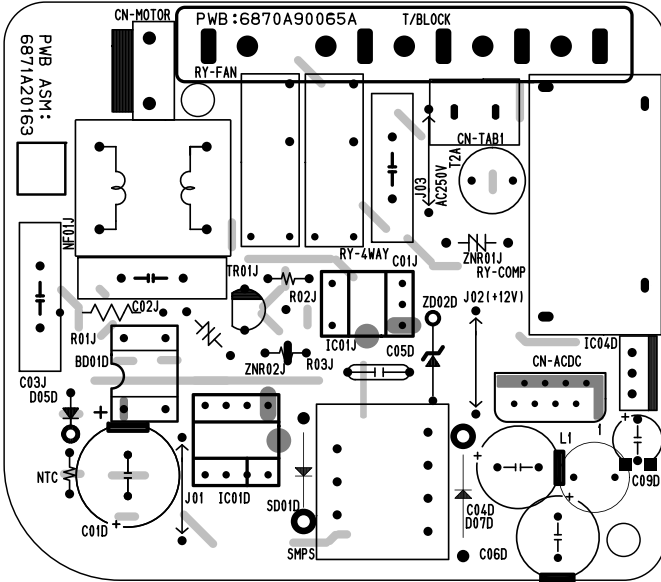


- Check the electrical wiring diagram of outdoor side.
- Check the abnormal condition for the component of Compressor/Outdoor Fan Motor, 4 way.
- Check the "open" or "short" of connecting wires between indoor and outdoor.

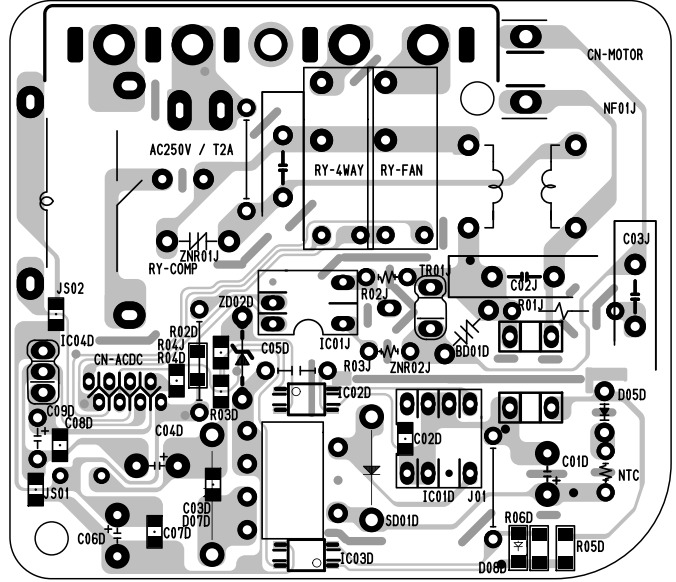
Electronic Control Device

(1) MAIN P.W.B ASSEMBLY (AC PART)

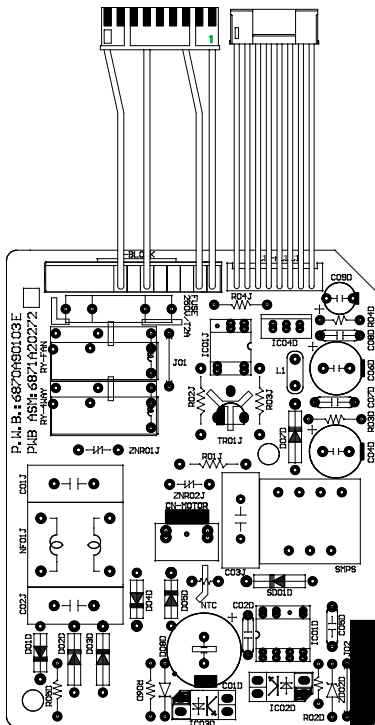
• TOP VIEW



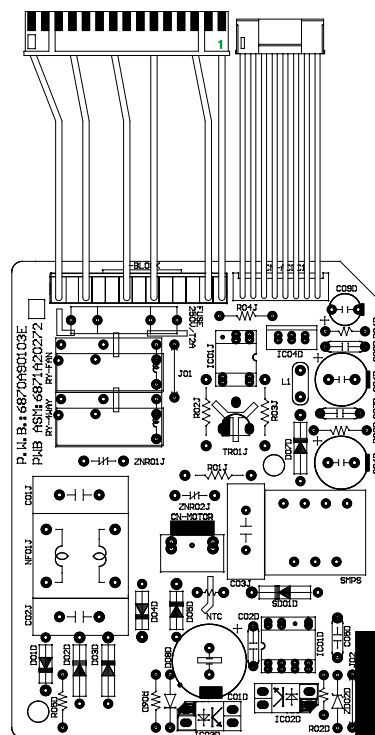
• BOTTOM VIEW



• COOLING MODEL

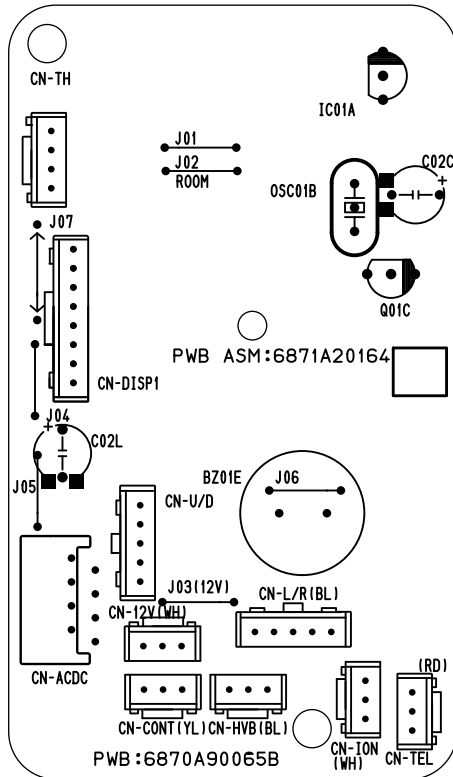


• HEAT PUMP MODEL

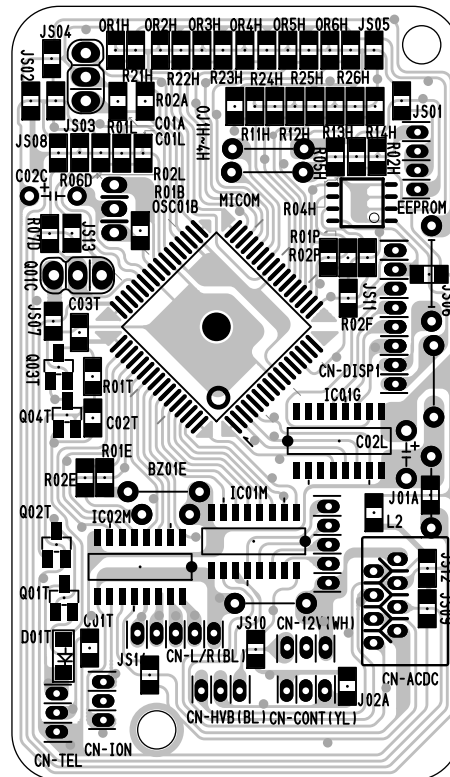


(2) MAIN P.W.B ASSEMBLY (DC PART)

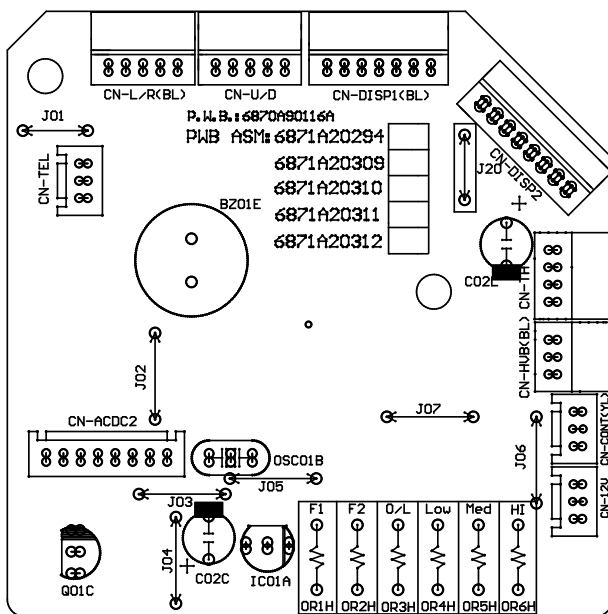
• TOP VIEW



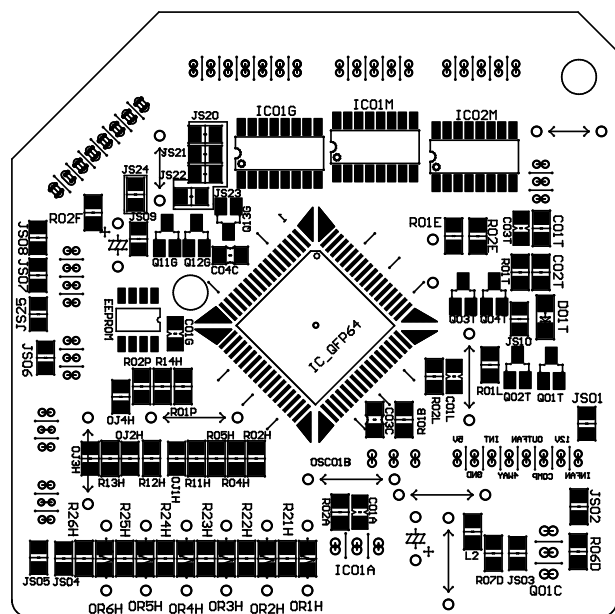
• BOTTOM VIEW



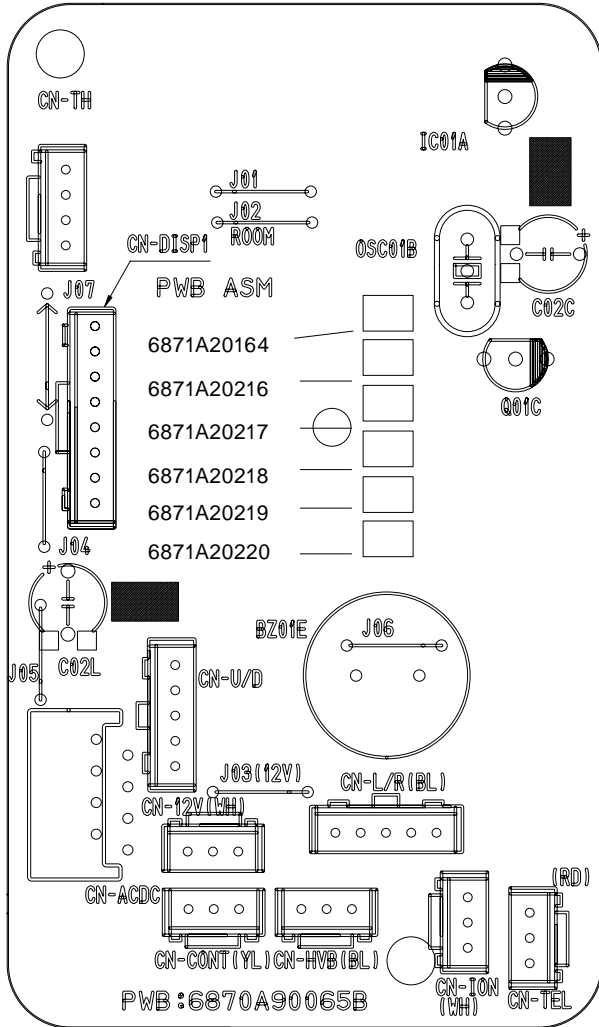
• TOP VIEW



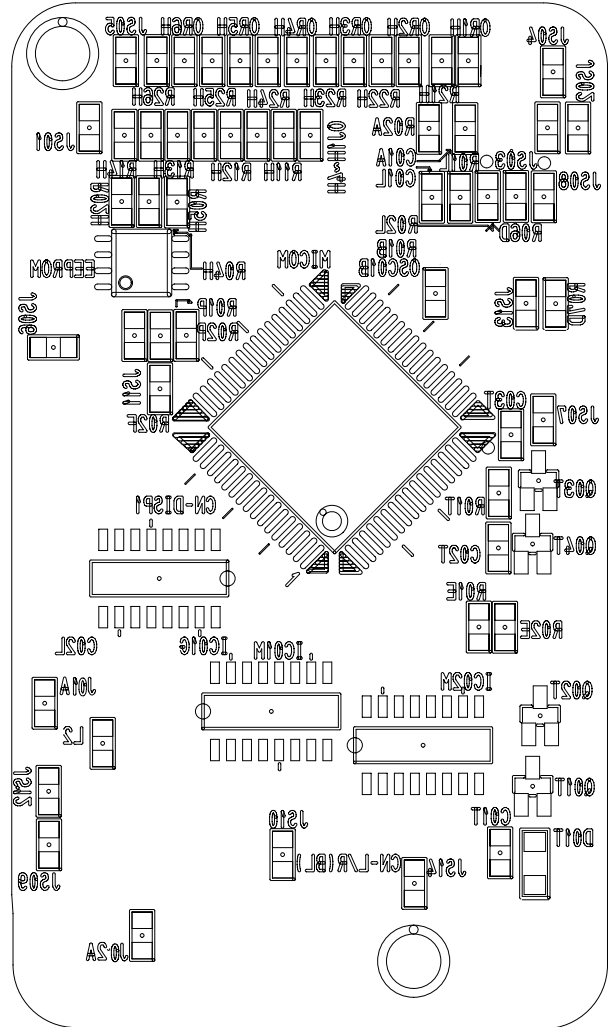
• BOTTOM VIEW



• TOP VIEW



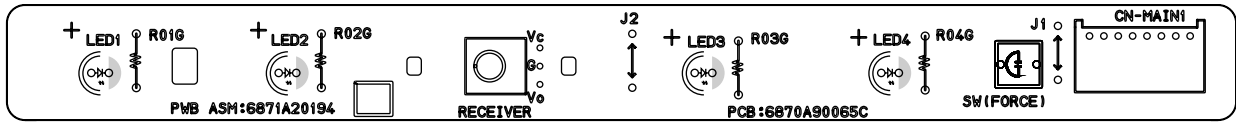
• BOTTOM VIEW



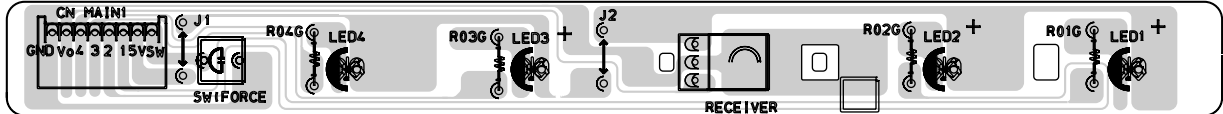
(3) DISPLAY ASSEMBLY

– 6871A20194

TOP VIEW

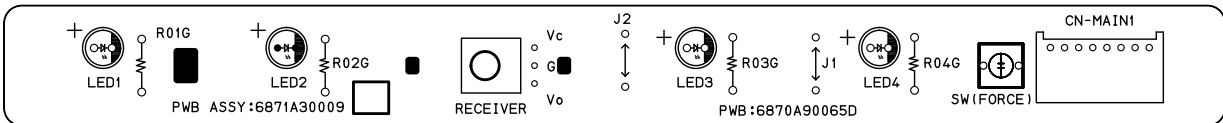


BOTTOM VIEW

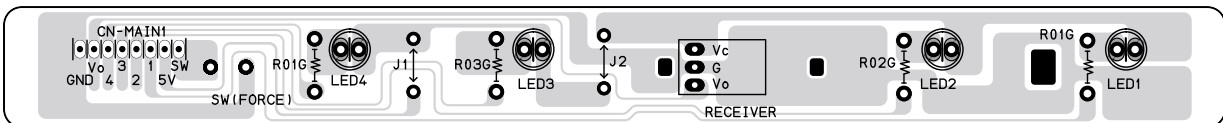


– 6871A30009

TOP VIEW

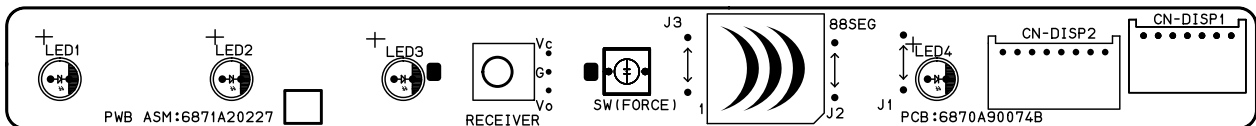


BOTTOM VIEW

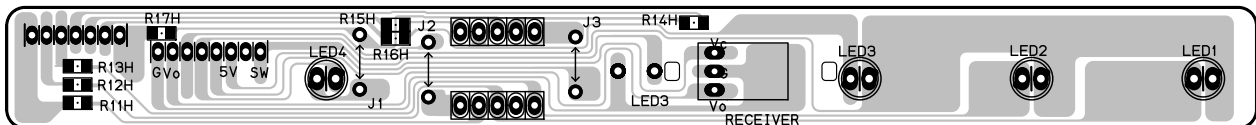


– 6871A20227

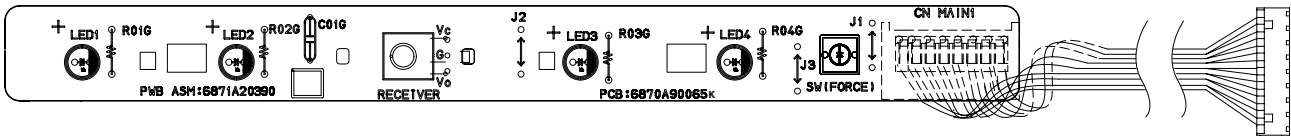
TOP VIEW



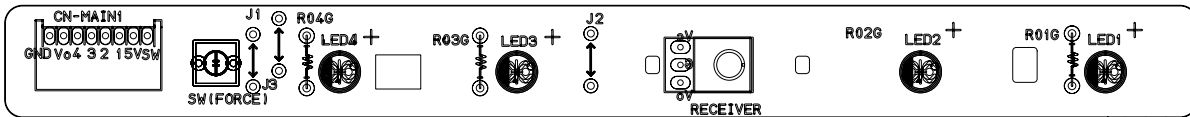
BOTTOM VIEW



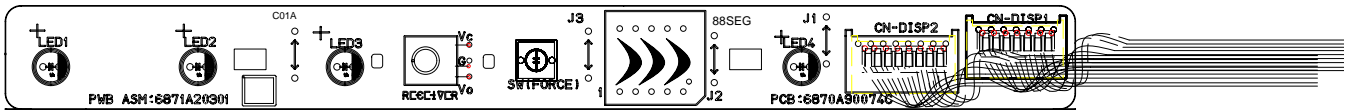
– 6871A20390
TOP VIEW



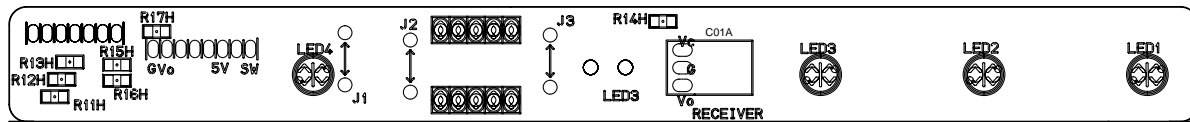
BOTTOM VIEW



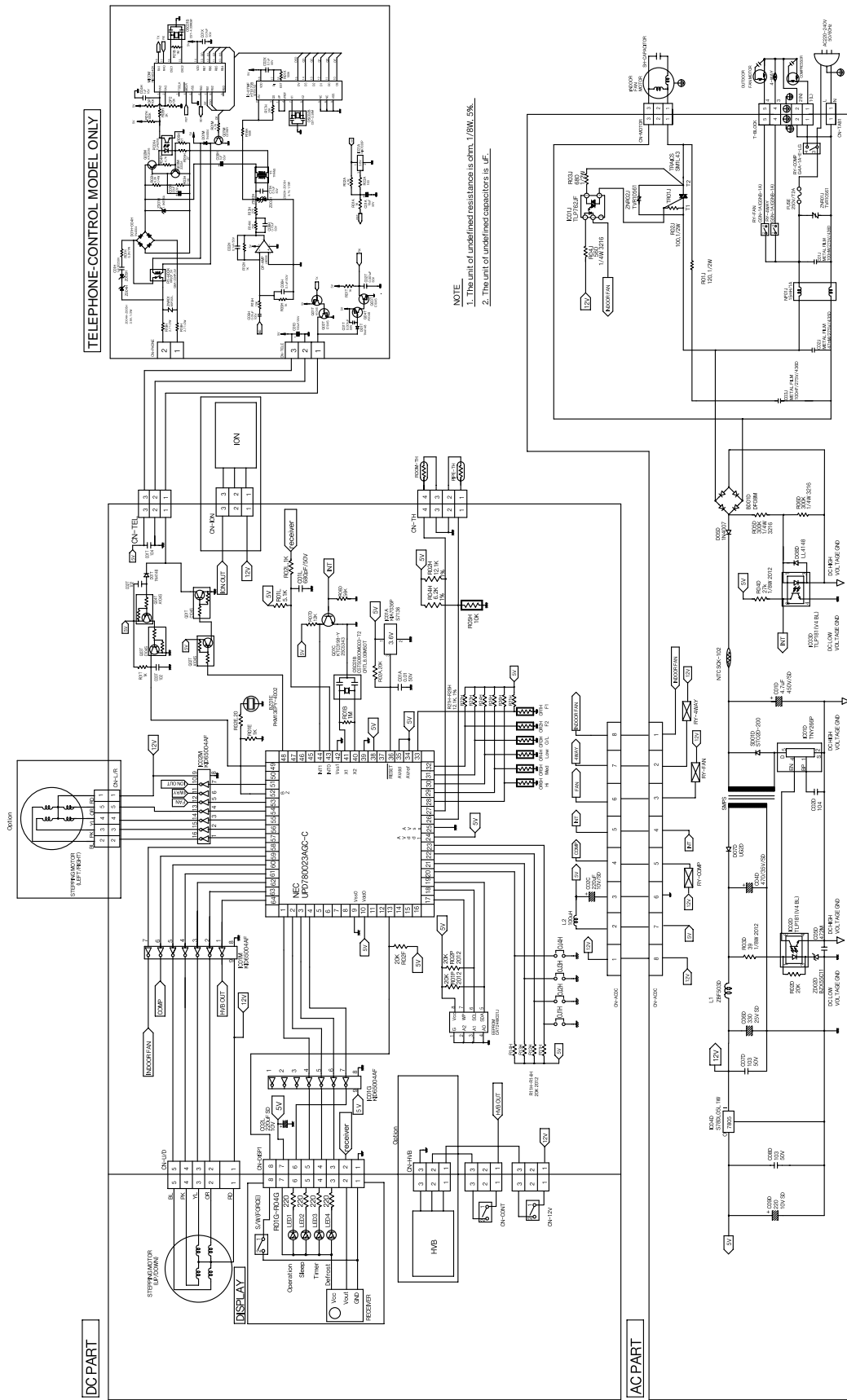
– 6871A20391
TOP VIEW



BOTTOM VIEW



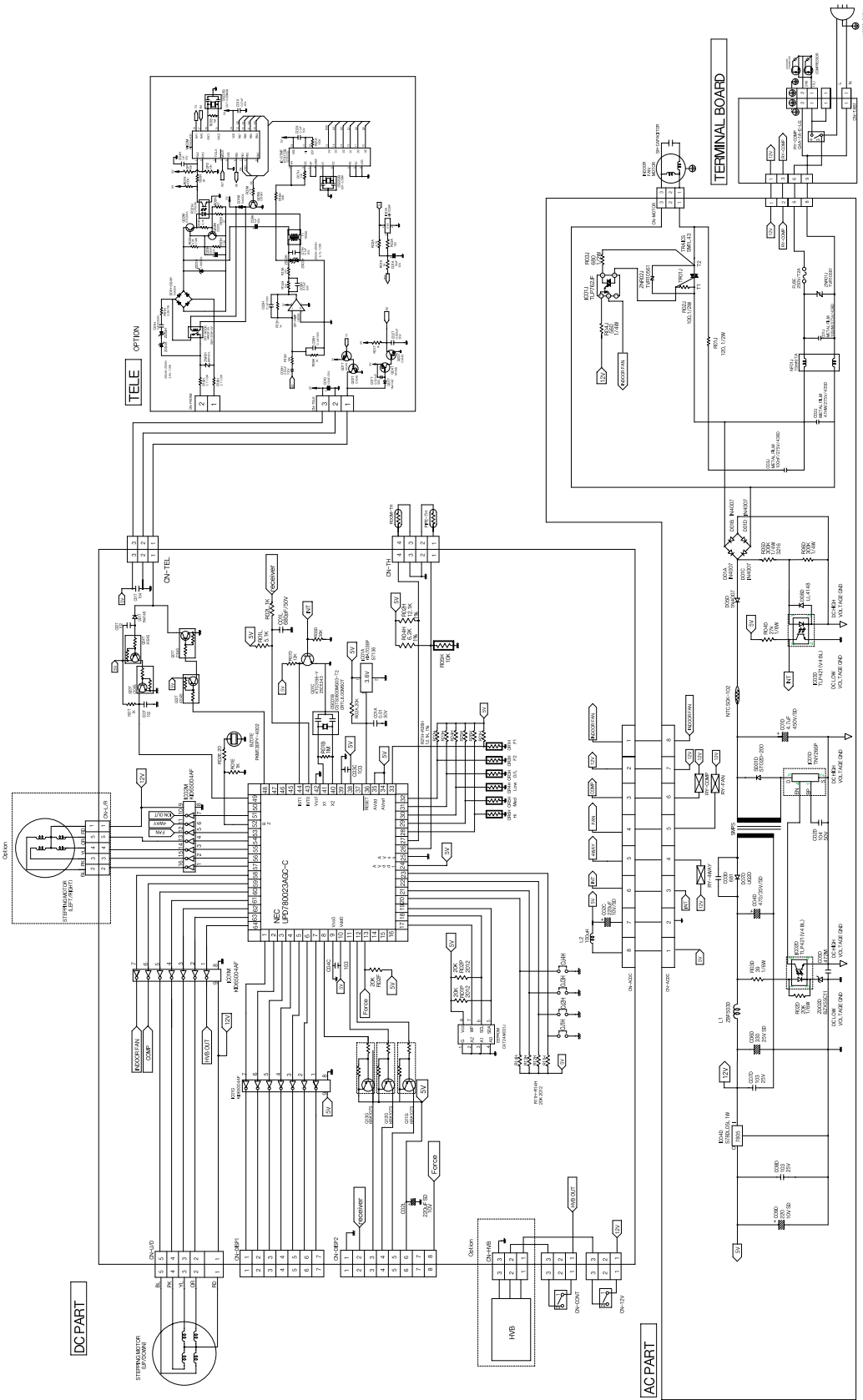
Schematic Diagram



NOTE
 1. The unit of undefined resistance is ohm, 1/8W, 5%.
 2. The unit of undefined capacitors is μF .

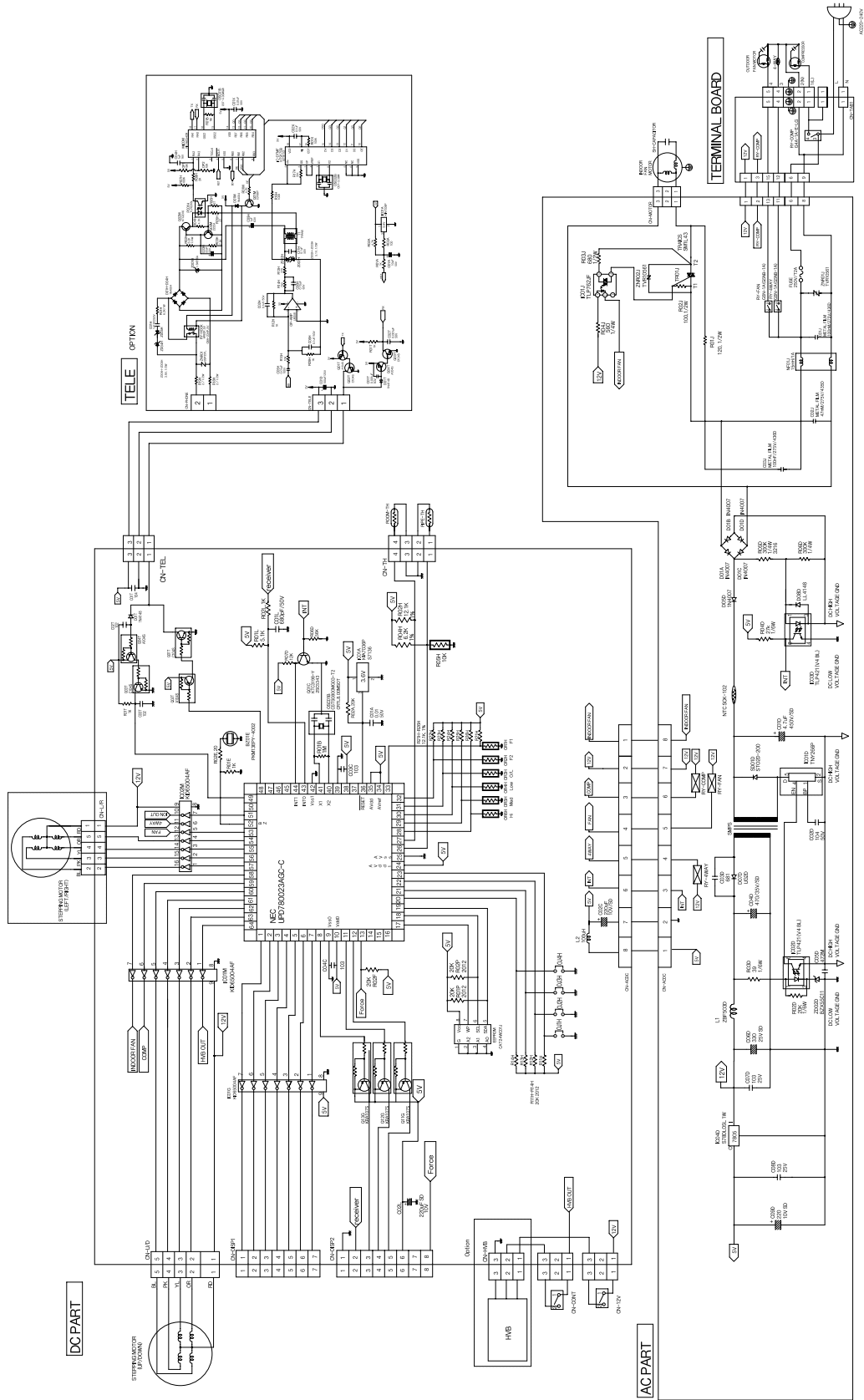
Cooling Model

- LED TYPE



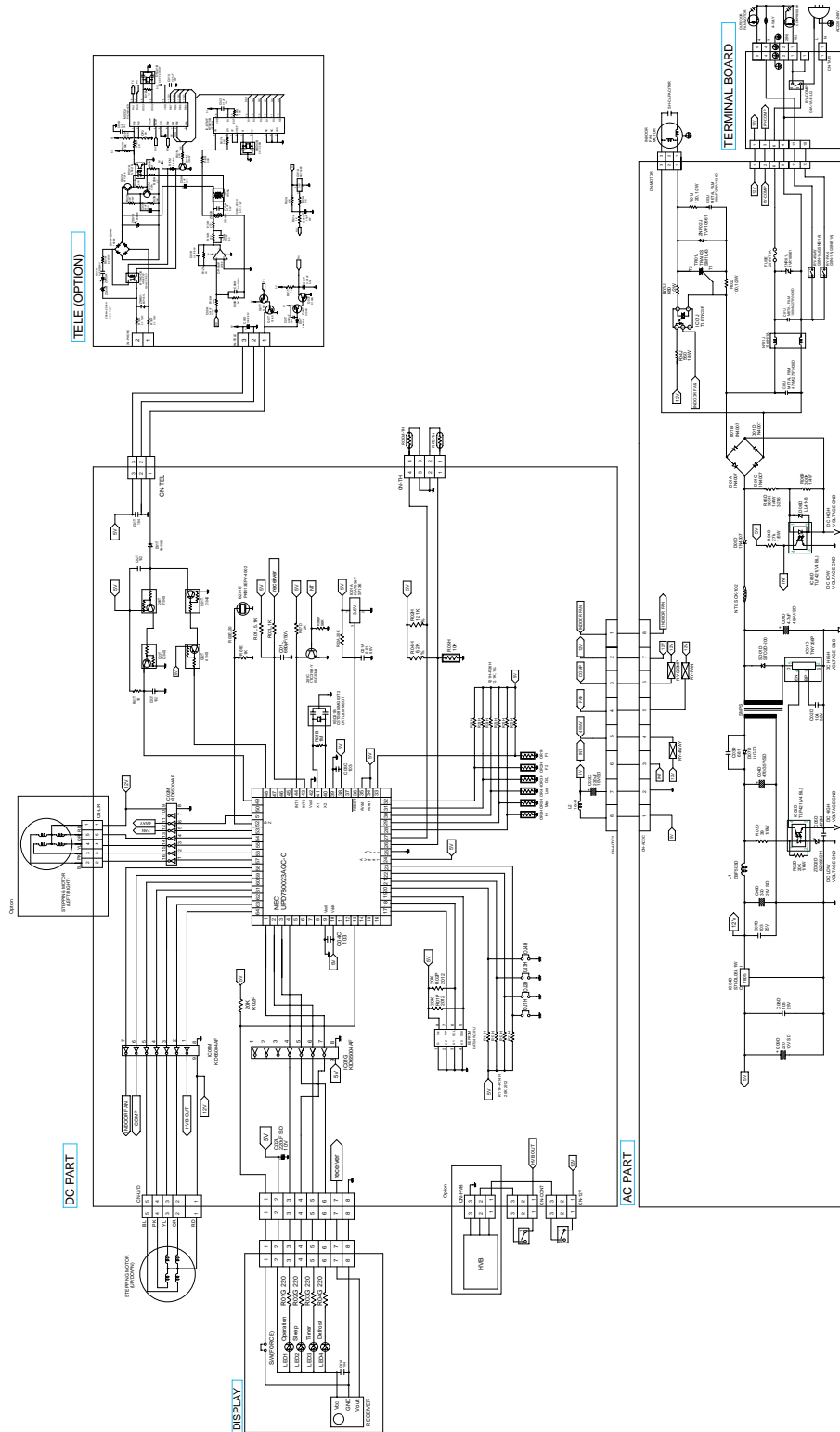
Cooling Model

- HVB TYPE(PLASMA)



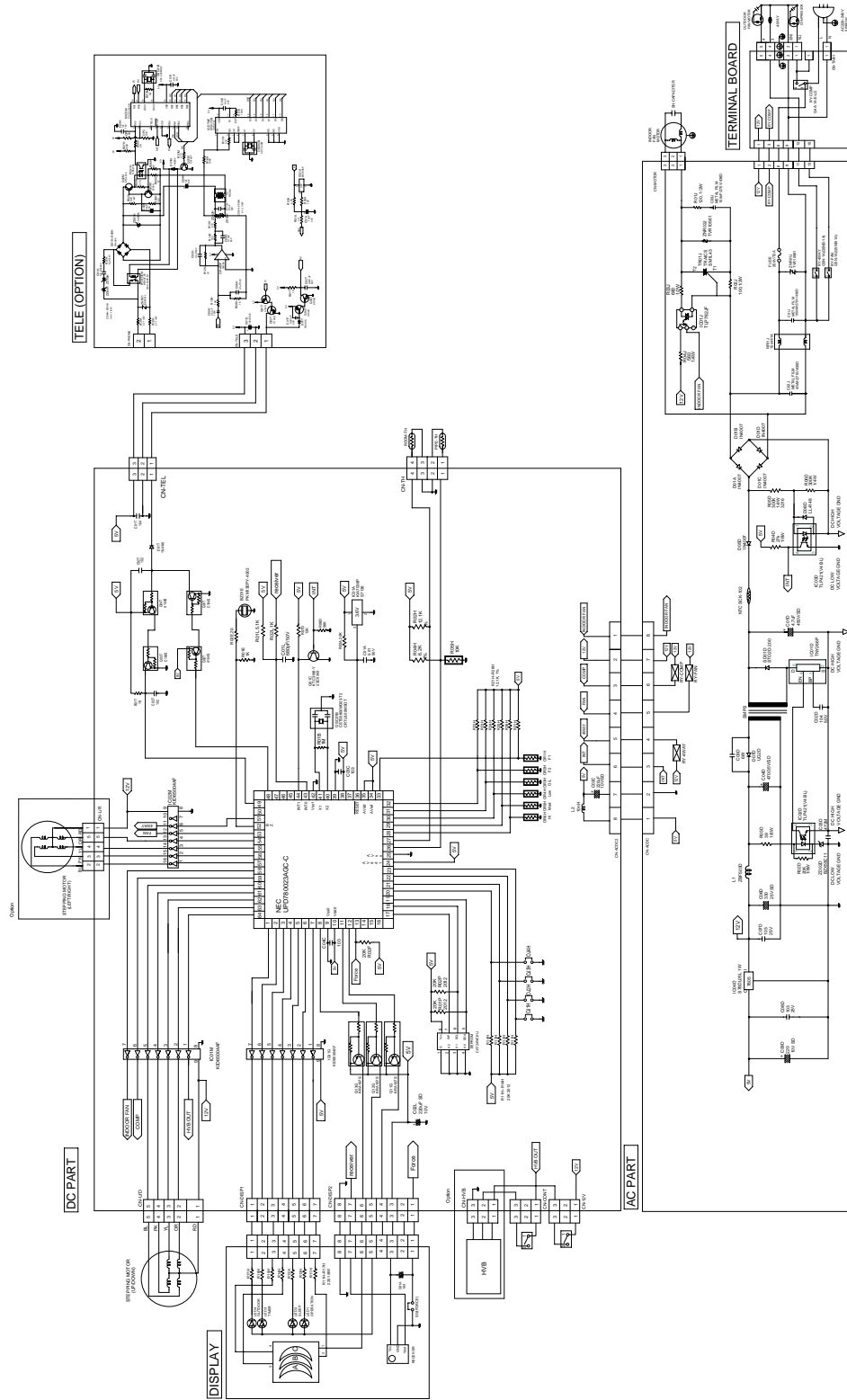
Heat Pump Model

- LED TYPE



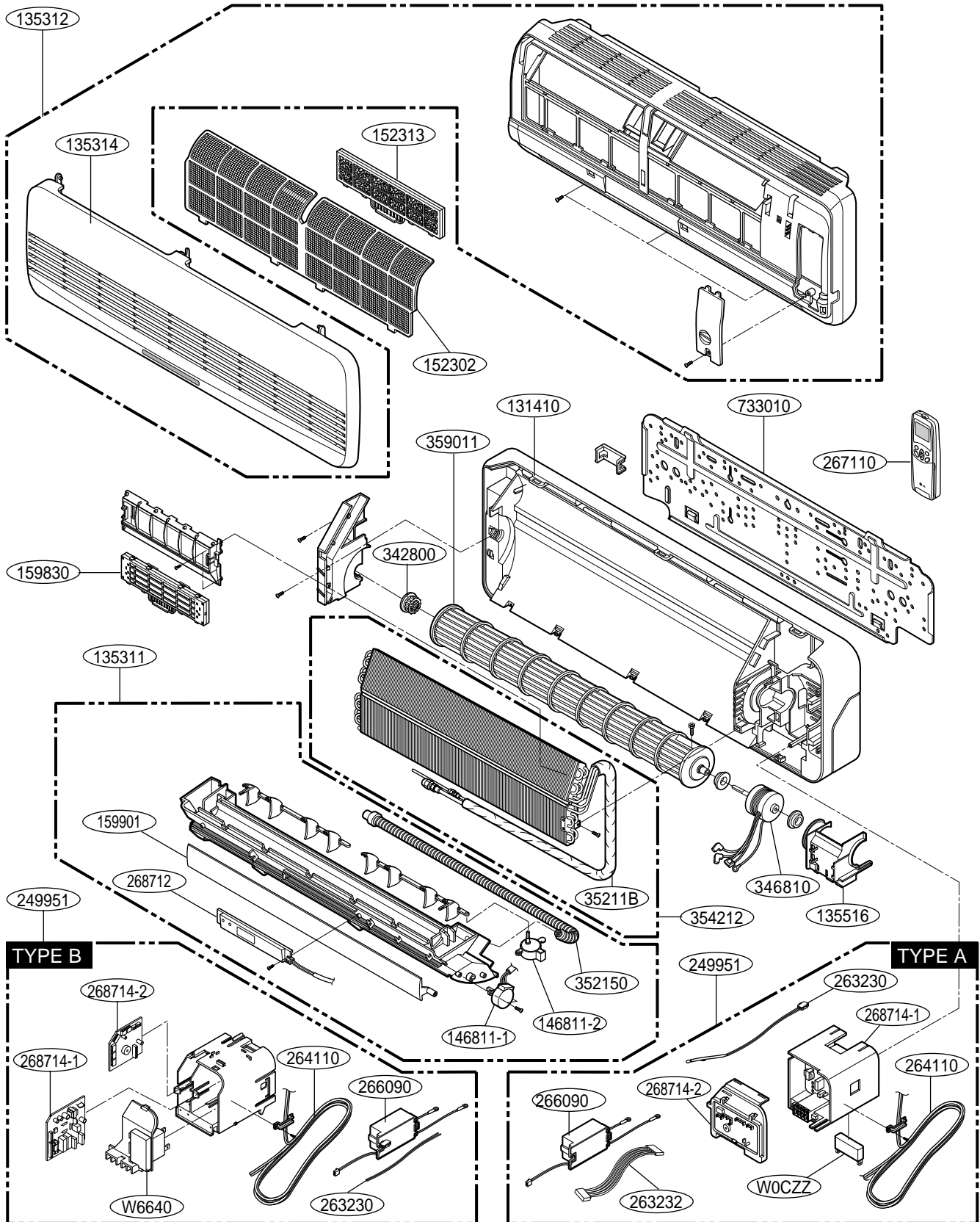
Heat Pump Model

- HVB TYPE



Exploded View and Replacement Parts List

1. Indoor Unit



Parts List(Indoor)

LOCATION No.	DESCRIPTION	PART No.			REMARKS
		LS-Q076ABL	LS-Q076BBG	LS-Q076BEL	
131410	CHASSIS ASSEMBLY	3141A20006A	3141A20006B	3141A20006A	R
135311	GRILLE ASSEMBLY, DISCHARGE(INDOOR)	3531A10127A	3531A10127E	3531A10127E	R
135312	GRILLE ASSEMBLY, FRONT(INDOOR)	3531A20101B	3531A20103B	3531A20101E	R
135314	GRILLE ASSEMBLY, INLET SUB	3531A20100B	3531A20102D	3531A20100C	R
135516	COVER ASSEMBLY, MOTOR	3551A20050H	3551A20050H	3551A20050H	R
146811	MOTOR ASSEMBLY, STEP	4681A20055A	4681A20055A	4681A20055A	R
152302	FILTER(MECH), A/C	5230A10005A	5230A10005A	5230A10005A	R
152313	FILTER ASSEMBLY, DEODORIZER	5231AR2412T	5231A30001C	5231A30001C	R
159830	AIR CLEANER ASSEMBLY	-	5983A10009B	5983A10009D	R
159901	VANE, HORIZONTAL	5990A10005A	5990A10005A	5990A10005A	R
249951	CONTROL BOX ASSEMBLY, INDOOR	4995A20199R (4995A20257J)	4995A20199T (4995A20257K)	4995A20199T (4995A20257K)	R
263230	THERMISTOR ASSEMBLY	6323A20004A	6323A20004A	6323A20004A	R
264110	POWER CORD ASSEMBLY	6411A20013D (6411A20026D)	6411A20013D (6411A20026D)	6411A20013D (6411A20026D)	R
266090	H.V ASSEMBLY	-	6609A10003J	6609A10003J	R
267110	REMOTE CONTROLLER ASSEMBLY	6711A20010B (6711A20067G)	6711A20010F	6711A20010F	R
268712	PWB(PCB) ASSEMBLY, DISPLAY	6871A20194A (6871A20194F)	6871A20227D (6871A20227G)	6871A20227D (6871A20227G)	R
268714-1	PWB(PCB) ASSEMBLY, MAIN(AC)	6871A20163A (6871A20272J)	6871A20163A (6871A20272J)	6871A20163A (6871A20272J)	R
268714-2	PWB(PCB) ASSEMBLY, MAIN(DC)	6871A20218Q (6871A20310B)	6871A20225L (6871A20310C)	6871A20225L (6871A20310C)	R
342800	BEARING	4280A20004A	4280A20004A	4280A20004A	R
346810	MOTOR ASSEMBLY, INDOOR	4681A20062D	4681A20062D	4681A20062D	R
352150	HOSE ASSEMBLY, DRAIN	5251AR2575F	5251AR2575F	5251AR2575F	R
354211	EVAPORATOR ASSEMBLY, BENDING	5421A10025C	5421A10025C	5421A10025G	R
359011	FAN ASSEMBLY, CROSS FLOW	5901A20007B	5901A20007B	5901A20007B	R
35211B	TUBE ASSEMBLY, TUBING	5211AR7066P	5211AR7066P	5211AR7066P	R
733010	PLATE ASSEMBLY, INSTALL	3301A10003A	3301A10003A	3301A10003A	R
W0CZZ	CAPACITOR, DRAWING	3H01487A	3H01487A	3H01487A	R
W6640	PWB(PCB) ASSEMBLY, MAIN(AC)	6871A20283A	6871A20283A	6871A20283A	R

NOTE) * Please ensure GCSC since these parts may be changed depending upon the buyer's request.

(GCSC WEBSITE <http://biz.LGservice.com>)

1) TYPE A : ~2002

2) TYPE B : 2003~

Parts List(Indoor)

LOCATION No.	DESCRIPTION	PART No.					REMARKS
		LS-Q096ABL	LS-Q096BBG	LS-Q096BEL	LS-Q096AEM	LS-Q096BEG	
131410	CHASSIS ASSEMBLY	3141A20006A	3141A20006B	3141A20006A	3141A20006A	3141A20006A	R
135311	GRILLE ASSEMBLY, DISCHARGE(INDOOR)	3531A10127A	3531A10127E	3531A10127E	3531A10232J	3531A10127R	R
135312	GRILLE ASSEMBLY, FRONT(INDOOR)	3531A20101B	3531A20103B	3531A20101E	3531A10167C	3531A10225E	R
135314	GRILLE ASSEMBLY, INLET SUB	3531A20100B	3531A20102D	3531A20100C	3531A20142A	3531A20102X	R
135516	COVER ASSEMBLY, MOTOR	3551A20050H	3551A20050H	3551A20050H	3551A20050H	3551A20050H	R
146811	MOTOR ASSEMBLY, STEP	4681A20055A	4681A20055A	4681A20055A	4681A20055A	4681A20055A	R
152302	FILTER(MECH), A/C	5230A10005A	5230A10005A	5230A10005A	5230A10005A	5230A10005A	R
152313	FILTER ASSEMBLY, DEODORIZER	5231AR2412T	5231A30001C	5231A30001C	-	5231A30001C	R
159830	AIR CLEANER ASSEMBLY	-	5983A10009B	5983A10009D	-	5983A10009B	R
159901	VANE, HORIZONTAL	5990A10005A	5990A10005A	5990A10005A	5990A10005A	5990A10005A	R
249951	CONTROL BOX ASSEMBLY, INDOOR	4995A20199H (4995A20257B)	4995A20199J (4995A20257D)	4995A20199J (4995A20257D)	4995A20257G	4995A20257S	R
263230	THERMISTOR ASSEMBLY	6323A20004A	6323A20004A	6323A20004A	6323A20004K	6323A20004K	R
264110	POWER CORD ASSEMBLY	6411A20013D (6411A20026D)	6411A20013D (6411A20026D)	6411A20013D (6411A20026D)	6411A20026E	6411A20026E	R
266090	H.V ASSEMBLY	-	6609A10003J	6609A10003J	-	6609A10003N	R
267110	REMOTE CONTROLLER ASSEMBLY	6711A20010B (6711A20067G)	6711A20010F (6711A20067J)	6711A20010F (6711A20067J)	6711A20012M	6711A20083G	R
268712	PWB(PCB) ASSEMBLY, DISPLAY	6871A20194A (6871A20194F)	6871A20227D (6871A20227G)	6871A20227D (6871A20227G)	6871A20390C	6871A20227G	R
268714-1	PWB(PCB) ASSEMBLY, MAIN(AC)	6871A20163A (6871A20272A)	6871A20163A (6871A20272A)	6871A20163A (6871A20272A)	6871A20272A	6871A20272A	R
268714-2	PWB(PCB) ASSEMBLY, MAIN(DC)	6871A20218H (6871A20310G)	6871A20225N (6871A20310J)	6871A20225N (6871A20310J)	6871A20310G	6871A20310J	R
342800	BEARING	4280A20004A	4280A20004A	4280A20004A	4280A20004A	4280A20004A	R
346810	MOTOR ASSEMBLY, INDOOR	4681A20062A	4681A20062A	4681A20062A	4681A20062A	4681A20062A	R
352150	HOSE ASSEMBLY, DRAIN	5251AR2575F	5251AR2575F	5251AR2575F	5251AR2575F	5211AR7066P	R
354212	EVAPORATOR ASSEMBLY, BENDING	5421A10025B	5421A10025B	5421A10025E	5421A10025E	5251AR2575F	R
359011	FAN ASSEMBLY, CROSS FLOW	5901A20007B	5901A20007B	5901A20007B	5901A20007B	5421A10025E	R
35211B	TUBE ASSEMBLY, TUBING	5211AR7066P	5211AR7066P	5211AR7066P	5211AR7066P	5901A20007B	R
733010	PLATE ASSEMBLY, INSTALL	3301A10003A	3301A10003A	3301A10003A	3301A10003A	3301A10003A	R
W0CZZ	CAPACITOR, DRAWING	3H01487A	3H01487A	3H01487A	3H01487A	3H01487A	R
W6640	PWB(PCB) ASSEMBLY, MAIN(AC)	6871A20283A	6871A20283A	6871A20283A	6871A20283A	6871A20283A	R

NOTE) * Please ensure GCSC since these parts may be changed depending upon the buyer's request.

(GCSC WEBSITE <http://biz.LGservice.com>)

1) TYPE A : ~2002

2) TYPE B : 2003~

Parts List(Indoor)

LOCATION No.	DESCRIPTION	PART No.					REMARKS
		LS-Q096AHG	LS-Q096ACG	LS-Q096BAG	LS-Q096ACL	LS-Q096AAG	
131410	CHASSIS ASSEMBLY	3141A20006B	3141A20006B	3141A20006B	3141A20006B	3141A20006A	R
135311	GRILLE ASSEMBLY, DISCHARGE(INDOOR)	3531A10127H	3531A10127H	3531A10127H	3531A10127H	3531A10127P	R
135312	GRILLE ASSEMBLY, FRONT(INDOOR)	3531A20103H	3531A20103A	3531A20103J	3531A20101K	3531A20103U	R
135314	GRILLE ASSEMBLY, INLET SUB	3531A20102H	3531A20102A	3531A20102J	3531A20100H	3531A20102A	R
135516	COVER ASSEMBLY, MOTOR	3551A20050H	3551A20050E	3551A20050E	3551A20050E	3551A20050E	R
146811	MOTOR ASSEMBLY, STEP	4681A20055A	4681A20055A	4681A20055A	4681A20055A	4681A20055A	R
152302	FILTER(MECH), A/C	5230A10005A	5230A10005A	5230A10005A	5230A10005A	5230A10005A	R
152313	FILTER ASSEMBLY, DEODORIZER	-	-	5231A30001C	5231AR2412T	-	R
159830	AIR CLEANER ASSEMBLY	-	-	5983A10009B	-	-	R
159901	VANE, HORIZONTAL	5990A10005A	5990A10005A	5990A10005A	5990A10005A	5990A10005A	R
249951	CONTROL BOX ASSEMBLY, INDOOR	4995A20199H (4995A20257B)	4995A20199A (4995A20257A)	4995A20199Z (4995A20257C)	4995A20232A	4995A20257A	R
263230	THERMISTOR ASSEMBLY	6323A20004A	6323A20004A	6323A20004A	6323A20004A	6323A20004L	R
264110	POWER CORD ASSEMBLY	6411A20013D (6411A20026D)	6411A20013D (6411A20026D)	6411A20013D (6411A20026D)	6411A20013D	6411A20026D	R
266090	H.V ASSEMBLY	-	-	6609A10003J	6609A10003J	-	R
267110	REMOTE CONTROLLER ASSEMBLY	6711A20010B (6711A20067G)	6711A20010A (6711A20067E)	6711A20010E (6711A20067H)	6711A20010A	6711A20067E	R
268712	PWB(PCB) ASSEMBLY, DISPLAY	6871A20194A (6871A20390C)	6871A20194A (6871A20390C)	6871A20227D (6871A20227G)	6871A20390A	6871A20294F	R
268714-1	PWB(PCB) ASSEMBLY, MAIN(AC)	6871A20163A (6871A20272A)	6871A20163B (6871A20272K)	6871A20163B (6871A20272K)	6871A20163B	6871A20272B (6871A20283B)	R
268714-2	PWB(PCB) ASSEMBLY, MAIN(DC)	6871A20218H (6871A20310G)	6871A20218A (6871A20310E)	6871A20225P (6871A20310H)	6871A20218A	6871A20310E	R
342800	BEARING	4280A20004A	4280A20004A	4280A20004A	4280A20004A	4280A20004A	R
346810	MOTOR ASSEMBLY, INDOOR	4681A20062A	4681A20062A	4681A20062A	4681A20062A	4681A20062A	R
352150	HOSE ASSEMBLY, DRAIN	5251AR2575F	5251AR2575F	5251AR2575F	5251AR2575F	5251AR2575F	R
354211	EVAPORATOR ASSEMBLY, BENDING	5421A10025B	5421A10025B	5421A10025B	5421A10025B	5421A10025A	R
359011	FAN ASSEMBLY, CROSS FLOW	5901A20007B	5901A20007B	5901A20007B	5901A20007B	5901A20007B	R
35211B	TUBE ASSEMBLY, TUBING	5211AR7066P	5211AR7066P	5211AR7066P	5211AR7066P	5211AR7066P	R
733010	PLATE ASSEMBLY, INSTALL	3301A10003A	3301A10003A	3301A10003A	3301A10003A	3301A10003A	R
W0CZZ	CAPACITOR, DRAWING	3H01487A	3H01487A	3H01487A	3H01487A	3H01487A	R
263232	CABLE, FLAT	-	-	-	6850A90001C	-	R
W6640	PWB(PCB) ASSEMBLY, MAIN(AC)	6871A20283B	6871A20283B	6871A20283B	-	6871A20283B	R

NOTE) * Please ensure GCSC since these parts may be changed depending upon the buyer's request.
(GCSC WEBSITE <http://biz.LGservice.com>)

- 1) TYPE A : ~2002
- 2) TYPE B : 2003~

Parts List(Indoor)

LOCATION No.	DESCRIPTION	PART No.					REMARKS
		LS-Q096ABG	LS-Q076ABG	LS-Q082BAG	LS-Q082BDL	LS-N096QNA0	
131410	CHASSIS ASSEMBLY	3141A20006A	3141A20006A	3141A20006A	3141A20006A	3141A20006A	R
135311	GRILLE ASSEMBLY, DISCHARGE(INDOOR)	3531A10127A	3531A10127A	3531A10127E	3531A10127A	3531A10127P	R
135312	GRILLE ASSEMBLY, FRONT(INDOOR)	3531A20101B	3531A20101B	3531A20103J	3531A20101T	3531A10194K	R
135314	GRILLE ASSEMBLY, INLET SUB	3531A20100B	3531A20100B	3531A20102J	3531A20100R	3531A20153K	R
135516	COVER ASSEMBLY, MOTOR	3551A20050H	3551A20050H	3551A20050E	3551A20050E	3551A20050H	R
146811	MOTOR ASSEMBLY, STEP	4681A20055A	4681A20055A	4681A20055A	4681A20055A	4681A20055A	R
152302	FILTER(MECH), A/C	5230A10005A	5230A10005A	5230A10005A	5230A10005A	5230A10005C	R
152313	FILTER ASSEMBLY, DEODORIZER	5231AR2412T	5231AR2412T	5231A30001C	5231A30001C	-	R
159830	AIR CLEANER ASSEMBLY	-	-	5983A10009B	5983A10009B	-	R
159901	VANE, HORIZONTAL	5990A10005A	5990A10005A	5990A10005A	5990A10005A	5990A10005A	R
249951	CONTROL BOX ASSEMBLY, INDOOR	4995A20199H (4995A20257B)	4995A20199R (4995A20257J)	4995A20199W	4995A20199L	4995A20257T	R
263230	THERMISTOR ASSEMBLY	6323A20004A	6323A20004A	6323A20004A	6323A20004A	6323A20004K	R
264110	POWER CORD ASSEMBLY	6411A20013D (6411A20026D)	6411A20013D (6411A20026D)	6411A20013D	6411A20013D	6411A20026E	R
266090	H.V ASSEMBLY	-	-	6609A10003J	6609A10003J	-	R
267110	REMOTE CONTROLLER ASSEMBLY	6711A20010B (6711A20067G)	6711A20010B (6711A20067G)	6711A20010E	6711A20010E	6711A20028B	R
268712	PWB(PCB) ASSEMBLY, DISPLAY	6871A20194A (6871A20194F)	6871A20194A (6871A20194F)	6871A20391C	6871A20391C	6871A20194F	R
268714-1	PWB(PCB) ASSEMBLY, MAIN(AC)	6871A20163A (6871A20272A)	6871A20163A (6871A20272J)	6871A20163B	6871A20163B	6871A20272R	R
268714-2	PWB(PCB) ASSEMBLY, MAIN(DC)	6871A20218H (6871A20310G)	6871A20218Q (6871A20310B)	6871A20235A	6871A20225P	6871A20310G	R
342800	BEARING	4280A20004A	4280A20004A	4280A20004A	4280A20004A	4280A20004A	R
346810	MOTOR ASSEMBLY, INDOOR	4681A20062A	4681A20062D	4681A20062E	4681A20062A	4681A20062A	R
352150	HOSE ASSEMBLY, DRAIN	5251AR2575F	5251AR2575F	5251AR2575F	5251AR2575F	5211AR7066P	R
354211	EVAPORATOR ASSEMBLY, FINAL	5421A10025B	5421A10025C	5421A10025A	5421A10025F	5251AR2575F	R
359011	FAN ASSEMBLY, CROSS FLOW	5901A20007B	5901A20007B	5901A20007B	5901A20007B	5421A10025B	R
35211B	TUBE ASSEMBLY, TUBING	5211AR7066P	5211AR7066P	5211AR7066P	5211AR7066P	5901A20007B	R
733010	PLATE ASSEMBLY, INSTALL	3301A10003A	3301A10003A	3301A10003A	3301A10003A	3301A10003A	R
W0CZZ	CAPACITOR, DRAWING	3H01487A	3H01487A	3H01487A	3H01487A	3H01487A	R
263232	CABLE, FALT	6850A90001C	6850A90001C	6850A90001C	6850A90001C	-	R
W6640	PWB(PCB) ASSEMBLY, MAIN(AC)	6871A20283A	6871A20283A	-	-	6871A20283A	R

NOTE) * Please ensure GCSC since these parts may be changed depending upon the buyer's request.

(GCSC WEBSITE <http://biz.LGservice.com>)

1) TYPE A : ~2002

2) TYPE B : 2003~

Parts List(Indoor)

LOCATION No.	DESCRIPTION	PART No.					REMARKS
		LS-Q096AEL	LS-Q096ADG	LS-Q096ADL	LS-Q096BDG	LS-Q096ABM	
131410	CHASSIS ASSEMBLY	3141A20006A	3141A20006B	3141A20006A	3141A20006B	3141A20006B	R
135311	GRILLE ASSEMBLY,DISCHARGE(INDOOR)	3531A10127A	3531A10127A	3531A10127A	3531A10127E	3531A10127P	R
135312	GRILLE ASSEMBLY,FRONT(INDOOR)	3531A20101B	3531A20103A	3531A20101A	3531A20103J	3531A10167F	R
135314	GRILLE ASSEMBLY,INLET SUB	3531A20100B	3531A20102A	3531A20100A	3531A20102J	3531A20142D	R
135516	COVER ASSEMBLY,MOTOR	3551A20050H	3551A20050E	3551A20050E	3551A20050E	3551A20050H	R
146811	MOTOR ASSEMBLY,STEP	4681A20055A	4681A20055A	4681A20055A	4681A20055A	4681A20055A	R
152302	FILTER(MECH),A/C	5230A10005A	5230A10005A	5230A10005A	5230A10005A	5230A10005A	R
152313	FILTER ASSEMBLY,DEODORIZER	-	-	-	5231A30001C	-	R
159830	AIR CLEANER ASSEMBLY	-	-	-	5983A10009B	-	R
159901	VANE,HORIZONTAL	5990A10005A	5990A10005A	5990A10005A	5990A10005A	5990A10005A	R
249951	CONTROL BOX ASSEMBLY,INDOOR	4995A20232C (4995A20257G)	4995A20199A (4995A20257A)	4995A20232B (4995A20257A)	4995A20199L (4995A20257C)	4995A20257B	R
263230	THERMISTOR ASSEMBLY	6323A20004A	6323A20004A	6323A20004C	6323A20004C	6323A20004K	R
264110	POWER CORD ASSEMBLY	6411A20013T (6411A20026E)	6411A20013D (6411A20026D)	6411A20013T (6411A20026D)	6411A20013D (6411A20026D)	6411A20026D	R
266090	H.V ASSEMBLY	-	-	-	6609A10003J	-	R
267110	REMOTE CONTROLLER ASSEMBLY	6711A20028B (6711A20067S)	6711A20010A	6711A20028A	6711A20010E	6711A20010B	R
268712	PWB(PCB) ASSEMBLY,DISPLAY	6871A20194A (6871A20390C)	6871A20194A (6871A20390C)	6871A20194A (6871A20390C)	6871A20227D (6871A20391G)	6871A20194F	R
268714-1	PWB(PCB) ASSEMBLY,MAIN(AC)	6871A20163A (6871A20272A)	6871A20163B (6871A20272K)	6871A20163B (6871A20272K)	6871A20163B (6871A20272K)	6871A20272A	R
268714-2	PWB(PCB) ASSEMBLY,MAIN(DC)	6871A20218H (6871A20310G)	6871A20218A (6871A20310E)	6871A20218A (6871A20310E)	6871A20225P (6871A20310H)	6871A20310G	R
342800	BEARING	4280A20004A	4280A20004A	4280A20004A	4280A20004A	4280A20004A	R
346810	MOTOR ASSEMBLY,INDOOR	4681A20062A	4681A20062A	4681A20062A	4681A20062A	4681A20062A	R
352150	HOSE ASSEMBLY,DRAIN	5251AR2575F	5251AR2575F	5251AR2575F	5251AR2575F	5251AR2575F	R
354211	EVAPORATOR ASSEMBLY,BENDING	5421A10025E	5421A10025F	5421A10025F	5421A10025F	5421A10025B	R
359011	FAN ASSEMBLY,CROSS FLOW	5901A20007B	5901A20007B	5901A20007B	5901A20007B	5901A20007B	R
35211B	TUBE ASSEMBLY,TUBING	5211AR7066P	5211AR7066P	5211AR7066P	5211AR7066P	5211AR7066P	R
733010	PLATE ASSEMBLY,INSTALL	3301A10003A	3301A10003A	3301A10003A	3301A10003A	3301A10003A	R
W0CZZ	CAPACITOR,DRAWING	3H01487A	3H01487A	3H01487A	3H01487A	3828A20243C	R
263232	CABLE,FLAT	-	-	-	6850A90001C	3H01487A	R
W6640	PWB(PCB) ASSEMBLY, MAIN(AC)	6871A20283A	6871A20283B	6871A20283B	6871A20283B	6871A20283A	R

NOTE) * Please ensure GCSC since these parts may be changed depending upon the buyer's request.

(GCSC WEBSITE <http://biz.LGservice.com>)

1) TYPE A : ~2002

2) TYPE B : 2003~

Parts List(Indoor)

LOCATION No.	DESCRIPTION	PART No.					REMARKS
		LS-Q082BAM	LS-Q082AAL	LS-Q082ACG	LS-Q082ACL	LS-Q082ACM	
131410	CHASSIS ASSEMBLY	3141A20006B	3141A20006B	3141A20006A	3141A20006A	3141A20006A	R
135311	GRILLE ASSEMBLY,DISCHARGE(INDOOR)	3531A10127R	3531A10127A	3531A10127A	3531A10127A	3531A10127A	R
135312	GRILLE ASSEMBLY,FRONT(INDOOR)	3531A10167G	3531A20101R	3531A20103G	3531A20101K	3531A10167H	R
135314	GRILLE ASSEMBLY,INLET SUB	3531A20142E	3531A20100P	3531A20102G	3531A20100H	3531A20142F	R
135516	COVER ASSEMBLY,MOTOR	3551A20050E	3551A20050E	3551A20050E	3551A20050E	3551A20050E	R
146811	MOTOR ASSEMBLY,STEP	4681A20055A	4681A20055A	4681A20055A	4681A20055A	4681A20055A	R
152302	FILTER(MECH),A/C	5230A10005A	5230A10005A	5230A10005A	5230A10005A	5230A10005A	R
152313	FILTER ASSEMBLY,DEODORIZER	5231A30001C	-	5231AR2412T	5231AR2412T	5231AR2412T	R
159830	AIR CLEANER ASSEMBLY	5983A10009C	-	-	-	-	R
159901	VANE,HORIZONTAL	5990A10005A	5990A10005A	5990A10005A	5990A10005A	5990A10005A	R
249951	CONTROL BOX ASSEMBLY,INDOOR	4995A20257N	4995A20232N	4995A20232R	4995A20232R	4995A20232R	R
263230	THERMISTOR ASSEMBLY	6323A20004L	6323A20004C	6323A20004C	6323A20004C	6323A20004C	R
264110	POWER CORD ASSEMBLY	6411A20015H	6411A20015B	3H03671F	3H03671F	3H03671F	R
267110	REMOTE CONTROLLER ASSEMBLY	6711A20069B	6711A20069A	6711A20067V	6711A20067V	6711A20067V	R
268712	PWB(PCB) ASSEMBLY,DISPLAY	6871A20391G	6871A20390A	6871A20390A	6871A20390A	6871A20390A	R
268714-1	PWB(PCB) ASSEMBLY,MAIN(AC)	6871A20272K	6871A20163B	6871A20163B	6871A20163B	6871A20163B	R
268714-2	PWB(PCB) ASSEMBLY,MAIN(DC)	6871A20310D	6871A20218V	6871A20218V	6871A20218V	6871A20218V	R
342800	BEARING	4280A20004A	4280A20004A	4280A20004A	4280A20004A	4280A20004A	R
346810	MOTOR ASSEMBLY,INDOOR	4681A20062E	4681A20062E	4681A20062E	4681A20062E	4681A20062E	R
352150	HOSE ASSEMBLY,DRAIN	5251AR2575F	5251AR2575F	5251AR2575F	5251AR2575F	5251AR2575F	R
354211	EVAPORATOR ASSEMBLY,FINAL	5421A10025A	5211AR7066P	5421A10025A	5421A10025A	5421A10025A	R
359011	FAN ASSEMBLY,CROSS FLOW	5901A20007B	5421A10025A	5901A20007B	5901A20007B	5901A20007B	R
35211B	TUBE ASSEMBLY,TUBING	5211AR7066P	5901A20007B	5211AR7066P	5211AR7066P	5211AR7066P	R
733010	PLATE ASSEMBLY,INSTALL	3301A10003A	3301A10003A	3301A10003A	3301A10003A	3301A10003A	R
W0CZZ	CAPACITOR,DRAWING	3H01487A	3H01487A	3H01487A	3H01487A	3H01487A	R
W6640	PWB(PCB) ASSEMBLY, MAIN(AC)	6871A20283B	-	-	-	-	R

NOTE) *Please ensure GCSC since these parts may be changed depending upon the buyer's request.
(GCSC WEBSITE <http://biz.LGservice.com>)

Parts List(Indoor)

LOCATION No.	DESCRIPTION	PART No.			REMARKS
		LS-C082QMA0	LS-C082QNA0	LS-C096QGL0	
131410	CHASSIS ASSEMBLY	3141A20006A	3141A20006A	3141A20006A	R
135311	GRILLE ASSEMBLY,DISCHARGE(INDOOR)	3531A10232B	3531A10232B	3531A10232B	R
135312	GRILLE ASSEMBLY,FRONT(INDOOR)	3531A21013A	3531A21021A	3531A21013A	R
135314	GRILLE ASSEMBLY,INLET SUB	-	-	-	R
135516	COVER ASSEMBLY,MOTOR	3551A20099F	3551A20099F	3551A20099F	R
146811	MOTOR ASSEMBLY,STEP	4681A20055A	4681A20055A	4681A20055A	R
152302	FILTER(MECH),A/C	5230A10005A	5230A10005A	5230A10005A	R
152313	FILTER ASSEMBLY,DEODORIZER	5231A20032E	5231A20032E	5231A20032E	R
159830	AIR CLEANER ASSEMBLY	-	-	-	R
159901	VANE,HORIZONTAL	5990A10005A	5990A10005A	5990A10005A	R
249951	CONTROL BOX ASSEMBLY,INDOOR	4995A20232R	4995A20232R	4995A20232R	R
263230	THERMISTOR ASSEMBLY	6323A20004C	6323A20004C	6323A20004C	R
264110	POWER CORD ASSEMBLY	3H03671F	3H03671F	3H03671F	R
266090	H.V ASSEMBLY	-	-	-	R
267110	REMOTE CONTROLLER ASSEMBLY	6711A20067V	6711A20067V	6711A20067V	R
268712	PWB(PCB) ASSEMBLY,DISPLAY	6871A20390A	6871A20390A	6871A20390A	R
268714-1	PWB(PCB) ASSEMBLY,MAIN(AC)	6871A20163B	6871A20163B	6871A20163B	R
268714-2	PWB(PCB) ASSEMBLY,MAIN(DC)	6871A20218V	6871A20218V	6871A20218V	R
342800	BEARING	4280A20004A	4280A20004A	4280A20004A	R
346810	MOTOR ASSEMBLY,INDOOR	4681A20062E	4681A20062E	4681A20062E	R
35211B	TUBE ASSEMBLY,TUBING	5211A21046H	5211A21046H	5211A21046H	R
352150	HOSE ASSEMBLY,DRAIN	5251AR2575F	5251AR2575F	5251AR2575F	R
354211	EVAPORATOR ASSEMBLY,FINAL	5421A10038A	5421A10038A	5421A10038A	R
359011	FAN ASSEMBLY,CROSS FLOW	5901A20007E	5901A20007E	5901A20007E	R
733010	PLATE ASSEMBLY,INSTALL	3301A10003A	3301A10003A	3301A10003A	R
W0CZZ	CAPACITOR,DRAWING	3H01487A	3H01487A	3H01487A	R
263232	CABLE,FLAT	-	-	-	R
W6640	PWB(PCB) ASSEMBLY,SUB	6871A20283B	6871A20283B	6871A20283B	R

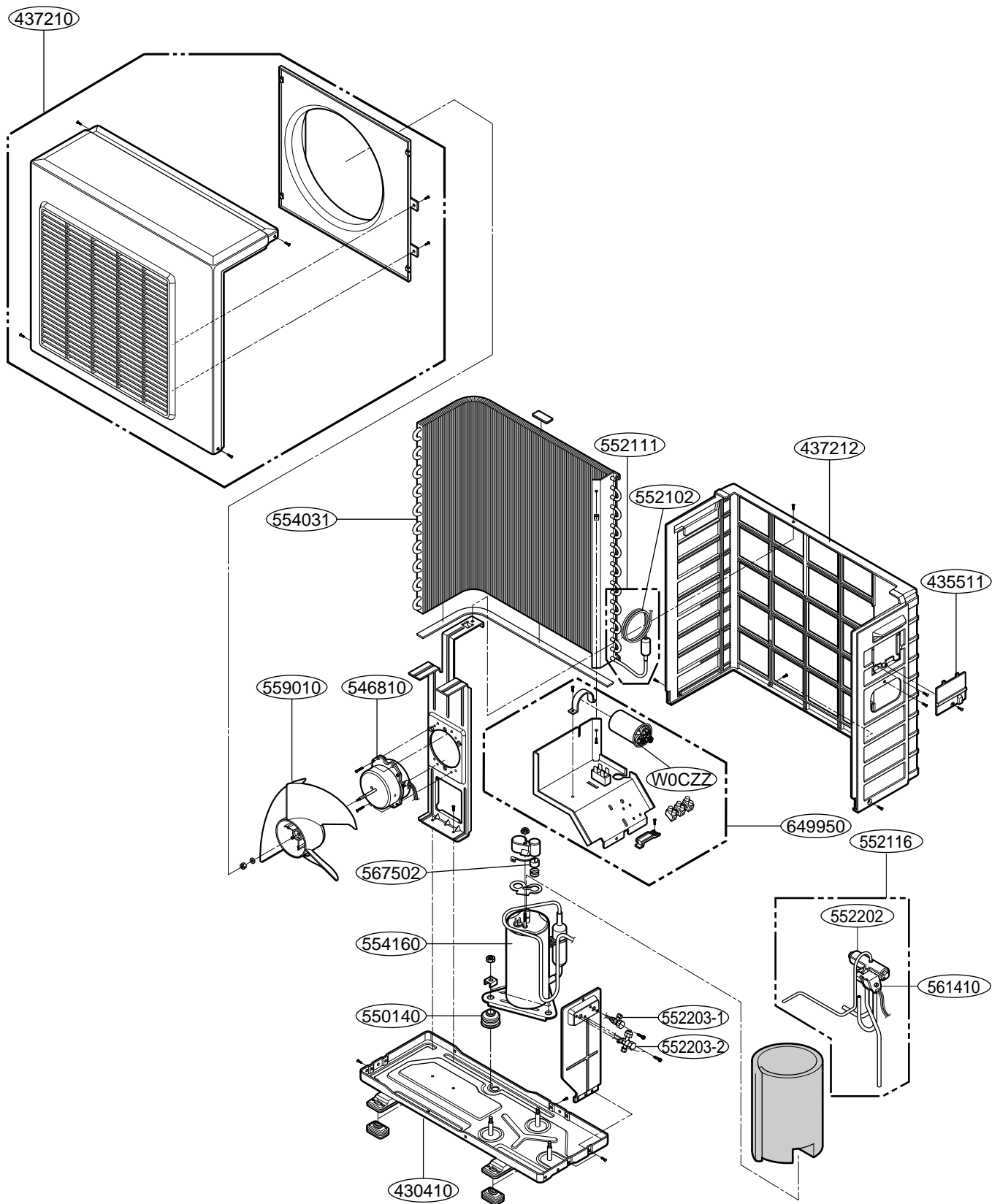
NOTE) *Please ensure GCSC since these parts may be changed depending upon the buyer's request.
(GCSC WEBSITE <http://biz.LGservice.com>)

Parts List(Indoor)

LOCATION No.	DESCRIPTION	PART No.			REMARKS
		LS-C096QLA0	LS-C096QNA0	LS-H096QGL1	
131410	CHASSIS ASSEMBLY	3141A20006A	3141A20006C	3141A20006A	R
135311	GRILLE ASSEMBLY,DISCHARGE(INDOOR)	3531A10127P	3531A10127X	3531A10127R	R
135312	GRILLE ASSEMBLY,FRONT(INDOOR)	3531A21014E	3531A21021B	3531A20103B	R
135314	GRILLE ASSEMBLY,INLET SUB	-	-	3531A20102D	R
135516	COVER ASSEMBLY,MOTOR	3551A20050E	3551A20050E	3551A20050H	R
146811	MOTOR ASSEMBLY,STEP	4681A20055A	4681A20055A	4681A20055A	R
152302	FILTER(MECH),A/C	5230A10005A	5230A10005A	5230A10005A	R
152313	FILTER ASSEMBLY,DEODORIZER	5231A20032E	5231A20032E	5231A20032C	R
159830	AIR CLEANER ASSEMBLY	-	-	5983A10009V	R
159901	VANE,HORIZONTAL	5990A10005A	5990A10005A	5990A10005A	R
249951	CONTROL BOX ASSEMBLY,INDOOR	4995A20424B	4995A20424B	4995A20257U	R
263230	THERMISTOR ASSEMBLY	6323A20004L	6323A20004L	6323A20004K	R
264110	POWER CORD ASSEMBLY	6411A20043C	6411A20043C	6411A20026D	R
266090	H.V ASSEMBLY	-	-	6609A10003N	R
267110	REMOTE CONTROLLER ASSEMBLY	6711A20067E	6711A20067E	6711A20077L	R
268712	PWB(PCB) ASSEMBLY,DISPLAY	6871A20194F	6871A20194F	6871A20227G	R
268714-1	PWB(PCB) ASSEMBLY,MAIN(AC)	6871A20272K	6871A20272K	6871A20272A	R
268714-2	PWB(PCB) ASSEMBLY,MAIN(DC)	6871A20310E	6871A20310E	6871A20310M	R
342800	BEARING	4280A20004A	4280A20004A	4280A20004A	R
346810	MOTOR ASSEMBLY,INDOOR	4681A20062L	4681A20062L	4681A20062L	R
35211B	TUBE ASSEMBLY,TUBING	5211A21046H	5211A21046H	5211A21046H	R
352150	HOSE ASSEMBLY,DRAIN	5251AR2575F	5251AR2575F	5251AR2575F	R
354211	EVAPORATOR ASSEMBLY,FINAL	5421A10038A	5421A10038A	5421A10038G	R
359011	FAN ASSEMBLY,CROSS FLOW	5901A20007E	5901A20007E	5901A20007E	R
733010	PLATE ASSEMBLY,INSTALL	3301A10003A	3301A10003A	3301A10003A	R
W0CZZ	CAPACITOR,DRAWING	3H01487A	3H01487A	3H01487A	R
263232	CABLE,FLAT	-	-	-	R
W6640	PWB(PCB) ASSEMBLY,SUB	6871A20283B	6871A20283B	6871A20283A	R

NOTE) *Please ensure GCSC since these parts may be changed depending upon the buyer's request.
(GCSC WEBSITE <http://biz.LGservice.com>)

2. Outdoor unit

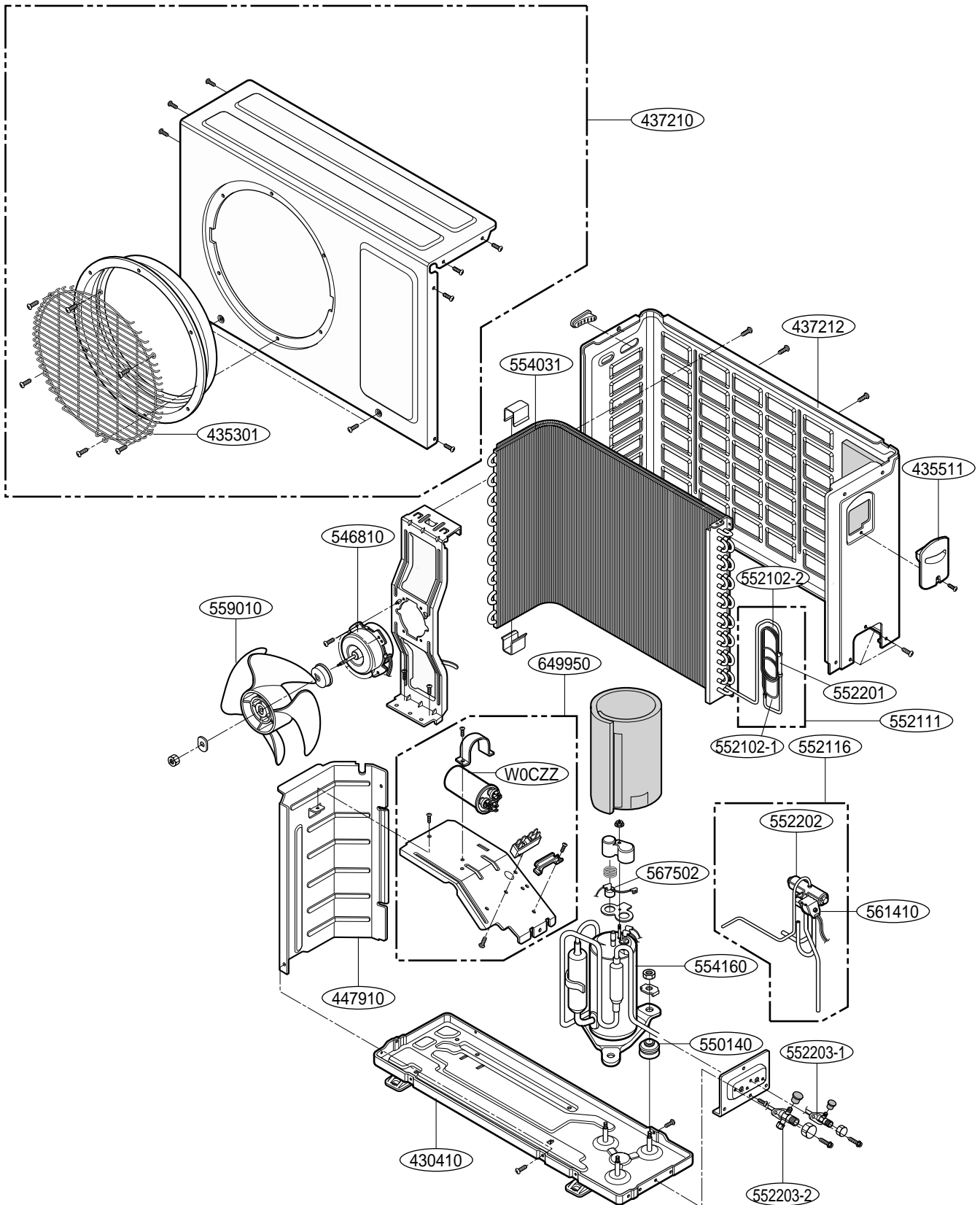


Parts List(Outdoor)

LOCATION No.	DESCRIPTION	PART No.				REMARKS
		LS-Q076ABL	LS-Q076BBG	LS-Q076BEL	LS-Q076ABG	
437210	GRILLE ASSEMBLY, FRONT(OUTDOOR)	3531AR2512R	3531AR2512R	3531AR2512R	3531AR2512R	R
546810	MOTOR ASSEMBLY, OUTDOOR	4681A20004F	4681A20004F	4681A20004F	4681A20004F	R
430410	BASE ASSEMBLY, WELD[OUTDOOR]	3041AR2415K	3041AR2415K	3041AR2415K	3041AR2415K	R
435511	COVER ASSEMBLY, CONTROL(OUTDOOR)	4994AR3492B	4994AR3492B	4994AR3492B	4994AR3492B	R
437212	PANEL ASSEMBLY, REAR(OUTDOOR)	3530AR0058C	3530AR0058C	3530AR0058C	3530AR0058C	R
550140	ISOLATOR, COMP	4H00982E	4H00982E	4H00982E	4H00982E	R
552102	TUBE, CAPILLARY BEND	5210A30151L	5210A30151L	5210A30151L	5210A30151L	R
552111	TUBE ASSEMBLY, CAPILLARY	5211A30082S	5211A30082S	5211A30082S	5211A30082S	R
552116	TUBE ASSEMBLY, REVERSING	5211A30095C	5211A30095C	5211A30095C	5211A30095C	R
552202	VALVE, REVERSING	5220AR3084A	5220AR3084A	5220AR3084A	5220AR3084A	R
552203-1	VALVE, SERVICE	2H02479F	2H02479F	2H02479F	2H02479F	R
552203-2	VALVE, SERVICE	2A00393M	2A00393M	2A00393M	2A00393M	R
554031	CONDENSER ASSEMBLY, BENT	5403AR2475L	5403AR2475L	5403AR2475L	5403AR2475L	R
554160	COMPRESSOR SET	2520UKYP2CA	2520UKYP2CA	2520UKYP2CA	2520UKYP2CA	R
559010	FAN ASSEMBLY, PROPELLER	5900AR1266A	5900AR1266A	5900AR1266A	5900AR1266A	R
561410	COIL ASSEMBLY, REVERSING VALVE	3A02028G	3A02028G	3A02028G	3A02028G	R
567502	O.L.P	6750U-L014A	6750U-L014A	6750U-L014A	6750U-L014A	R
649950	CONTROL BOX ASSEMBLY, OUTDOOR	4995A20031A	4995A20031A	4995A20031A	4995A20031A	R
W0CZZ	CAPACITOR, DRAWING	6120AR2194H	6120AR2194H	6120AR2194H	6120AR2194H	R

NOTE) *Please ensure GCSC since these parts may be changed depending upon the buyer's request.
(GCSC WEBSITE <http://biz.LGservice.com>)

Outdoor unit



Parts List(Outdoor)

LOCATION No.	DESCRIPTION	PART No.						REMARKS
		LS-Q096ACG	LS-Q096BAG	LS-Q096ACL	LS-Q082BAG	LS-Q096ABM	LS-H096QNA0	
430410	BASE ASSEMBLY, WELD[OUTDOOR]	3041AR2415K	3041AR2415K	3041AR2415K	3041AR2415E	3041A20008K	3041A20016A	R
435301	GRILLE, DISCHARGE	3530A20006B	3530A20006B	3530A20006B	3530A20006B	3530A20006B	3530A10059D	R
435511	COVER ASSEMBLY, CONTROL(OUTDOOR)	4994AR3492B	4994AR3492B	4994AR3492B	4994AR3492B	3551A30023E	3551A30023Q	R
437210	PANEL ASSEMBLY, FRONT(OUTDOOR)	3531AR2512R	3531AR2512R	3531AR2512R	3531AR2512R	3721A20027A	3721A20060B	R
437212	PANEL ASSEMBLY, REAR(OUTDOOR)	3530AR0058B	3530AR0058B	3530AR0058B	3530AR0058B	3721A20026B	3721A20059A	R
447910	BARRIER ASSEMBLY, OUTDOOR	-	-	-	-	-	4971A30002B	R
546810	MOTOR ASSEMBLY, OUTDOOR	4681A20004F	4681A20004F	4681A20004F	4681A20068A	4681A20004J	4791A20011A	R
550140	ISOLATOR, COMP	4H00982E	4H00982E	4H00982E	4H00982E	4H00982E	4681A20004F	R
552102-1	TUBE, CAPILLARY BEND	5424AR3582H	5424AR3582H	5424AR3582H	5424AR3582C	5210A21341A 5424AR7208M	4H00982E	R
552102-2	TUBE,CAPILLARY BEND	-	-	-	-	-	5210A20595F	R
552111	TUBE ASSEMBLY, CAPILLARY	5211A30275D	5211A30275D	5211A30275D	5211A30337A	5211A20117E	5211A20133Z	R
552116	TUBE ASSEMBLY, REVERSING	-	-	-	-	5211A20116C	5211A21027B	R
552201	VALVE, CHECK	-	-	-	-	3H01552F	-	R
552202	VALVE, REVERSING	-	-	-	-	5220AR3084A	5220AR3084E	R
552203-1	VALVE, SERVICE	2H02479F	2H02479F	2H02479F	2H02479F	2H02479H	2H02479N	R
552203-2	VALVE, SERVICE	2A00393U	2A00393U	2A00393U	2A00393U	2A00393U	2A00393Z	R
554031	CONDENSER ASSEMBLY, BENT	5403AR2870F	5403AR2870M	5403AR2870F	5403AR2870P	5403A20028H	5403A20059B	R
554160	COMPRESSOR SET	5416A20013L	5416A20013L	5416A20013L	5416A20013J	5416A20013C	5417A20012H	R
559010	FAN ASSEMBLY, PROPELLER	5900AR1266A	5900AR1266A	5900AR1266A	5900AR1266A	5901A10004A	5900AR1266A	R
561410	COIL ASSEMBLY, REVERSING VALVE	-	-	-	-	3A02028Y	3A02028Y	R
567502	O.L.P	6750A30001C	6750A30001C	6750A30001C	6750A30001C	6750A30001C	6750A30001C	R
649950	CONTROL BOX ASSEMBLY, OUTDOOR	4995AR2566B	4995AR2566B	4995AR2566B	4995AR2566E	4995A20083F	4995A10032J	R
W0CZZ	CAPACITOR, DRAWING	2H01451P	2H01451P	2H01451P	2H01451P	2H01451P	2H01451P	R

(NOTE) *Please ensure GCSC since these parts may be changed depending upon the buyer's request.
(GCSC WEBSITE <http://biz.LGservice.com>)

Parts List(Outdoor)

LOCATION No.	DESCRIPTION	PART No.						REMARKS
		LS-Q096ABL	LS-Q096BBG	LS-Q096BEL	LS-Q096AHG	LS-Q096ABG	LS-Q096AEM	
430410	BASE ASSEMBLY, OUTDOOR	3041A20008K	3041A20008K	3041A20008K	3041A20008K	3041A20008K	3041A20008K	R
435511	COVER ASSEMBLY, CONTROL(OUTDOOR)	3551A30023E	3551A30023E	3551A30023E	3551A30023E	3551A30023E	3551A30023E	R
437210	PANEL ASSEMBLY, FRONT(OUTDOOR)	3721A20027A	3721A20027A	3721A20027A	3721A20027A	3721A20027A	3721A20027A	R
437212	PANEL ASSEMBLY, REAR(OUTDOOR)	3721A20026B	3721A20026B	3721A20026B	3721A20026B	3721A20026B	3721A20026B	R
447910	BARRIER ASSEMBLY, OUTDOOR	4791A30002B	4791A30002B	4791A30002B	4791A30002B	4791A30002B	4791A30002B	R
546810	MOTOR ASSEMBLY, OUTDOOR	4681A20004J	4681A20004J	4681A20004J	4681A20004J	4681A20004J	4681A20004J	R
550140	ISOLATOR, COMP	4H00982E	4H00982E	4H00982E	4H00982E	4H00982E	4H00982E	R
552111	TUBE ASSEMBLY, CAPILLARY	5211A20117C	5211A20117C	5211A20117C	5211A20117C	5211A20117C	5211A20117E	R
552116	TUBE ASSEMBLY, REVERSING	5211A20116A	5211A20116A	5211A20116A	5211A20116A	5211A20116A	5211A20116C	R
552201	VALVE, CHECK	3H01552F	3H01552F	3H01552F	3H01552F	3H01552F	3H01552F	R
552202	VALVE, REVERSING	5220AR3084A	5220AR3084A	5220AR3084A	5220AR3084A	5220AR3084A	5220AR3084A	R
552203-1	VALVE, SERVICE	2H02479H	2H02479H	2H02479H	2H02479H	2H02479H	2H02479H	R
552203-2	VALVE, SERVICE	2A00393U	2A00393U	2A00393U	2A00393U	2A00393U	2A00393U	R
552102-1	TUBE,CAPILLARY BEND	-	-	-	-	-	5210A21341A	R
552102-2	TUBE,CAPILLARY BEND	-	-	-	-	-	5424AR7208M	R
554031	CONDENSER ASSEMBLY, BENT	5403A20028H	5403A20028H	5403A20028H	5403A20028B	5403A20028B	5403A20028H	R
554160	COMPRESSOR	5416A20013C	5416A20013C	5416A20013C	5416A20013C	5416A20013C	5416A20013C	R
559010	FAN ASSEMBLY, PROPELLER	5901A10004A	5901A10004A	5901A10004A	5901A10004A	5901A10004A	5901A10004A	R
561410	COIL ASSEMBLY, REVERSING VALVE	3A02028Y	3A02028Y	3A02028Y	3A02028Y	3A02028Y	3A02028Y	R
567502	O.L.P	-	-	-	-	-	6750A30001C	R
649950	CONTROL BOX ASSEMBLY, OUTDOOR	4995A20083F	4995A20083F	4995A20083F	4995A20083F	4995A20083F	4995A20083F	R
W0CZZ	CAPACITOR, DRAWING	2H01451P	2H01451P	2H01451P	2H01451P	2H01451P	2H01451P	R
435301	GRILLE, DISCHARGE	3530A20006B	3530A20006B	3530A20006B	3530A20006B	3530A20006B	3530A20006B	R

NOTE) *Please ensure GCSC since these parts may be changed depending upon the buyer's request.
(GCSC WEBSITE <http://biz.LGservice.com>)

Parts List(Outdoor)

LOCATION No.	DESCRIPTION	PART No.						REMARKS
		LS-Q096AEL	LS-Q096ADG	LS-Q096ADL	LS-Q096BDG LS-Q096BDL	LS-Q096AAG	LS-Q096BEG	
430410	BASE ASSEMBLY,OUTDOOR	3041A20008K	3041AR2415K	3041AR2415K	3041AR2415K	3041AR2415K	3041A20008K	R
435301	GRILLE,DISCHARGE	-	-	-	-	-	3530A20006B	R
435301	GRILLE,DISCHARGE	3530A20006B	3530A20006B	3530A20006B	3530A20006B	-	-	R
435511	COVER ASSEMBLY,CONTROL(OUTDOOR)	3551A30023E	4994AR3492B	4994AR3492B	4994AR3492B	4994AR3492B	3551A30023E	R
437210	PANEL ASSEMBLY,FRONT(OUTDOOR)	3721A20027A	3531AR2512R	3531AR2512R	3531AR2512R	4994AR3492B	3721A20027A	R
437212	PANEL ASSEMBLY,REAR(OUTDOOR)	3721A20026B	3530AR0058B	3530AR0058B	3530AR0058B	3530AR0058B	3721A20026B	R
447910	BARRIER ASSEMBLY,OUTDOOR	-	-	-	-	-	4791A30002B	R
546810	MOTOR ASSEMBLY,OUTDOOR	4681A20004J	4681A20004F	4681A20004F	4681A20004F	4681A20004F	4681A20004J	R
550140	ISOLATOR,COMP	4H00982E	4H00982E	4H00982E	4H00982E	4H00982E	4H00982E	R
552102-1	TUBE,CAPILLARY BEND	5210A21341A	5424AR3582H	5424AR3582H	5424AR3582H	5424AR3582H	5210A21341A	R
552102-1	TUBE,CAPILLARY BEND	5424AR7208M	-	-	-	-	5424AR7208M	R
552111	TUBE ASSEMBLY,CAPILLARY	5211A20117C	5211A30275D	5211A30275D	5211A30275D	5211A30275D	5211A20117E	R
552116	TUBE ASSEMBLY,REVERSING	5211A20116A	-	-	-	-	5211A20116C	R
552201	VALVE,CHECK	3H01552F	-	-	-	-	3H01552F	R
552202	VALVE,REVERSING	5220AR3084A	-	-	-	-	5220AR3084A	R
552203-1	VALVE,SERVICE	2H02479H	2H02479F	2H02479F	2H02479F	2H02479F	2H02479H	R
552203-2	VALVE,SERVICE	2A00393U	2A00393U	2A00393U	2A00393U	2A00393U	2A00393U	R
554031	CONDENSER ASSY,BENT	5403A20028H	5403AR2870M	5403AR2870M	5403AR2870M	5403AR2870M	5403A20028H	R
554160	COMPRESSOR	5416A20013C	5416A20013L	5416A20013L	5416A20013L	5416A20013L	5416A20013C	R
559010	FAN ASSEMBLY,PROPELLER	5901A10004A	5900AR1266A	5900AR1266A	5900AR1266A	5900AR1266A	5901A10004A	R
561410	COIL ASSEMBLY,REVERSING VALVE	3A02028Y	-	-	-	-	3A02028Y	R
567502	O.L.P	6750A30001C	6750A30001C	6750A30001C	6750A30001C	6750A30001C	6750A30001C	R
649950	CONTROL BOX ASSEMBLY,OUTDOOR	4995A20083F	4995AR2566F	4995AR2566F	4995AR2566F	4995AR2566F	4995A20083F	R
W0CZZ	CAPACITOR,DRAWING	2H01451P	2H01451P	2H01451P	2H01451P	2H01451P	2H01451P	R

NOTE) *Please ensure GCSC since these parts may be changed depending upon the buyer's request.
(GCSC WEBSITE <http://biz.LGservice.com>)

Parts List(Outdoor)

LOCATION No.	DESCRIPTION	PART No.					REMARKS
		LS-Q082BAM	LS-Q082AAL	LS-Q082ACG	LS-Q082ACL	LS-Q082ACM	
430410	BASE ASSY,WELD[OUTDOOR]	3041AR2415E	3041AR2415E	3041AR2415E	3041AR2415E	3041AR2415E	R
435511	COVER ASSEMBLY,CONTROL(OUTDOOR)	4994AR3492B	4994AR3492B	4994AR3492B	4994AR3492B	4994AR3492B	R
437210	GRILLE ASSEMBLY,FRONT(OUTDOOR)	3531AR2512R	3531AR2512R	3531AR2512R	3531AR2512R	3531AR2512R	R
437212	PANEL ASSEMBLY,REAR(OUTDOOR)	3530AR0058B	3530AR0058B	3530AR0058B	3530AR0058B	3530AR0058B	R
546810	MOTOR ASSEMBLY,OUTDOOR	4681A20068A	4681A20068A	4681A20068A	4681A20068A	4681A20068A	R
550140	ISOLATOR,COMP	4H00982E	4H00982E	4H00982E	4H00982E	4H00982E	R
552102-1	TUBE,CAPILLARY BEND	5424AR3582C	5424AR3582C	5424AR3582C	5424AR3582C	5424AR3582C	R
552102-2	TUBE,CAPILLARY BEND	-	-	-	-	-	R
552111	TUBE ASSY,CAPILLARY	5211A30337A	5211A30337A	5211A30337A	5211A30337A	5211A30337A	R
552203-1	VALVE,SERVICE	2H02479F	2H02479F	2H02479F	2H02479F	2H02479F	R
552203-2	VALVE,SERVICE	2A00393U	2A00393U	2A00393U	2A00393U	2A00393U	R
554031	CONDENSER ASSEMBLY,BENT	5403AR2870P	5403AR2870P	5403AR2870H	5403AR2870H	5403AR2870H	R
554160	COMPRESSOR	5416A20013J	5416A20013J	5416A20013J	5416A20013J	5416A20013J	R
559010	FAN ASSEMBLY,PROPELLER	5900AR1266A	5900AR1266A	5900AR1266A	5900AR1266A	5900AR1266A	R
567502	O.L.P	6750A30001D	6750A30001D	6750A30001D	6750A30001D	6750A30001D	R
649950	CONTROL BOX ASSEMBLY,OUTDOOR	4995AR2566E	4995AR2566E	4995AR2566E	4995AR2566E	4995AR2566E	R
W0CZZ	CAPACITOR,DRAWING	6120AR2194G	6120AR2194G	6120AR2194G	6120AR2194G	6120AR2194G	R

NOTE) *Please ensure GCSC since these parts may be changed depending upon the buyer's request.
(GCSC WEBSITE <http://biz.LGservice.com>)

Parts List(Outdoor)

LOCATION No.	DESCRIPTION	PART No.			REMARKS
		LS-C082QMA0	LS-C082QNAO	LS-C096QGL0	
430410	BASE ASSY,WELD[OUTDOOR]	3041AR2415E	3041AR2415E	3041AR2415K	R
435301	GRILLE,DISCHARGE	-	-	-	R
435511	COVER ASSEMBLY,CONTROL(OUTDOOR)	4994AR3492B	4994AR3492B	4994AR3492B	R
437210	GRILLE ASSEMBLY,FRONT(OUTDOOR)	3531AR2512R	3531AR2512R	3531AR2512R	R
437212	PANEL ASSEMBLY,REAR(OUTDOOR)	3530AR0058B	3530AR0058B	3530AR0058B	R
546810	MOTOR ASSEMBLY,OUTDOOR	4681A20068K	4681A20068K	4681A20004F	R
550140	ISOLATOR,COMP	4H00982E	4H00982E	4H00982E	R
552102	TUBE,CAPILLARY BEND	5424AR3582C	5424AR3582C	5424AR3582H	R
552102-1	TUBE,CAPILLARY BEND	-	-	-	R
552102-2	TUBE,CAPILLARY BEND	-	-	-	R
552111	TUBE ASSY,CAPILLARY	5211A30337A	5211A30337A	5211A30275D	R
552116	TUBE ASSY,REVERSING	-	-	-	R
552201	VALVE,CHECK	-	-	-	R
552202	VALVE,REVERSING	-	-	-	R
552203-1	VALVE,SERVICE	2H02479F	2H02479F	2H02479F	R
552203-2	VALVE,SERVICE	2A00393U	2A00393U	2A00393U	R
554031	CONDENSER ASSEMBLY,BENT	5403AR2870H	5403AR2870H	5403AR2870M	R
554160	COMPRESSOR	5416A20013J	5416A20013J	5416A20013L	R
559010	FAN ASSEMBLY,PROPELLER	5900AR1266A	5900AR1266A	5900AR1266A	R
561410	COIL ASSY,REVERSING VALVE	-	-	-	R
567502	O.L.P	6750A30001D	6750A30001D	6750A30001C	R
649950	CONTROL BOX ASSEMBLY,OUTDOOR	4995AR2566N	4995AR2566N	4995AR2566F	R
W0CZZ	CAPACITOR,DRAWING	6120AR2194G	6120AR2194G	2H01451P	R

NOTE) *Please ensure GCSC since these parts may be changed depending upon the buyer's request.
(GCSC WEBSITE <http://biz.LGservice.com>)

Parts List(Outdoor)

LOCATION No.	DESCRIPTION	PART No.			REMARKS
		LS-C096QLA0	LS-C096QNA0	LS-H096QGL1	
430410	BASE ASSY,WELD[OUTDOOR]	3041AR2415K	3041AR2415K	3041A20016A	R
435301	GRILLE,DISCHARGE	-	-	3530A10059G	R
435511	COVER ASSEMBLY,CONTROL(OUTDOOR)	4994AR3492B	4994AR3492B	3551A30023Q	R
437210	GRILLE ASSEMBLY,FRONT(OUTDOOR)	3531AR2512R	3531AR2512R	3720A10171A	R
437212	PANEL ASSEMBLY,REAR(OUTDOOR)	3530AR0058B	3530AR0058B	3720A10172A	R
546810	MOTOR ASSEMBLY,OUTDOOR	4681A20004F	4681A20004F	4681A20121A	R
550140	ISOLATOR,COMP	4H00982E	4H00982E	4H00982E	R
552102	TUBE,CAPILLARY BEND	5424AR3582H	5424AR3582H	5210A20595F	R
552102-1	TUBE,CAPILLARY BEND	-	-	-	R
552102-2	TUBE,CAPILLARY BEND	-	-	-	R
552111	TUBE ASSY,CAPILLARY	5211A30275D	5211A30275D	5211A20133Z	R
552116	TUBE ASSY,REVERSING	-	-	5211A21027B	R
552201	VALVE,CHECK	-	-	-	R
552202	VALVE,REVERSING	-	-	5220AR3084E	R
552203-1	VALVE,SERVICE	2H02479F	2H02479F	2H02479P	R
552203-2	VALVE,SERVICE	2A00393U	2A00393U	5220A20040A	R
554031	CONDENSER ASSEMBLY,BENT	5403AR2870M	5403AR2870M	5403A20059F	R
554160	COMPRESSOR	5416A20013L	5416A20013L	5416A20013L	R
559010	FAN ASSEMBLY,PROPELLER	5900AR1266A	5900AR1266A	5900AR1266A	R
561410	COIL ASSY,REVERSING VALVE	-	-	3A02028Y	R
567502	O.L.P	6750A30001C	6750A30001C	6750A30001C	R
649950	CONTROL BOX ASSEMBLY,OUTDOOR	4995AR2566F	4995AR2566F	4995A10032J	R
W0CZZ	CAPACITOR,DRAWING	2H01451P	2H01451P	2H01451P	R

NOTE) *Please ensure GCSC since these parts may be changed depending upon the buyer's request.
(GCSC WEBSITE <http://biz.LGservice.com>)

