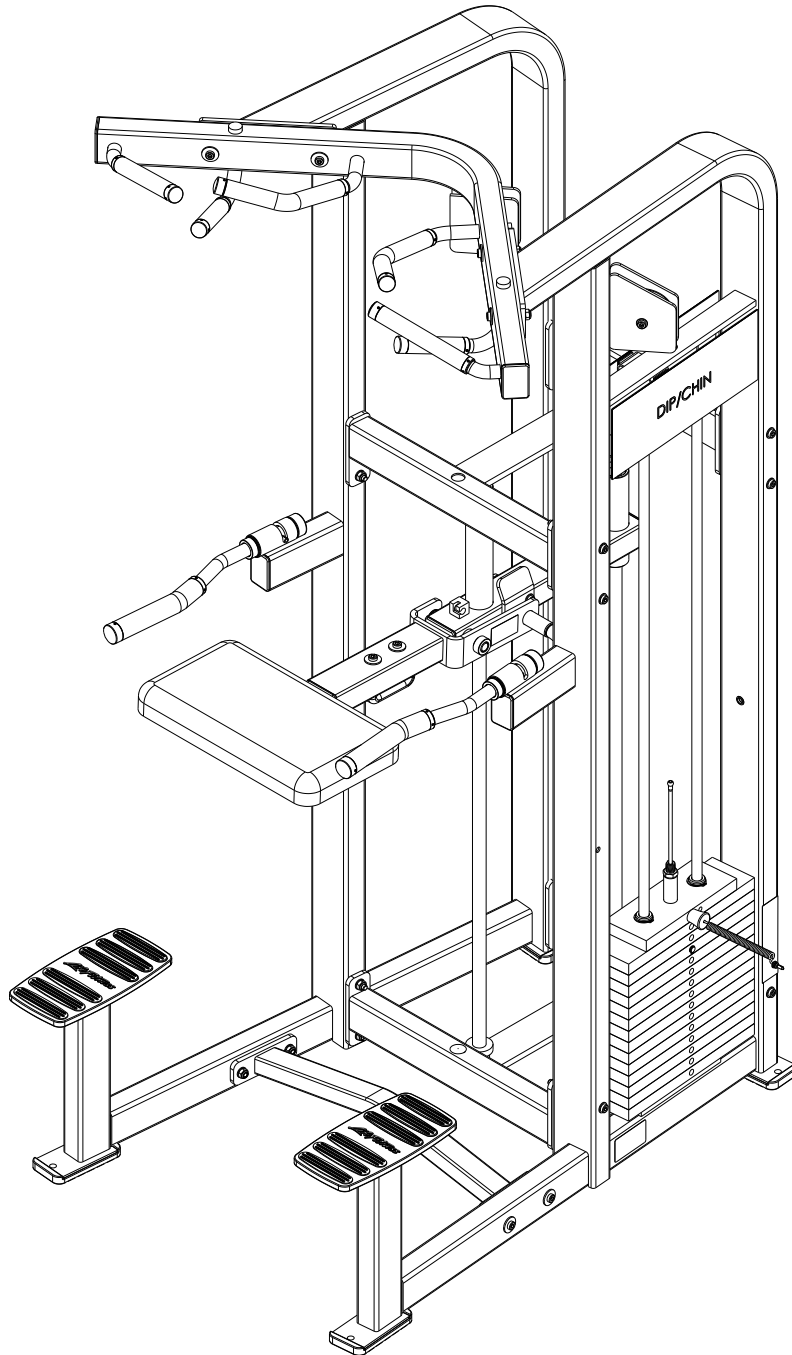




PRO 2 SERIES
PSADCSE ASSISTED DIP CHIN

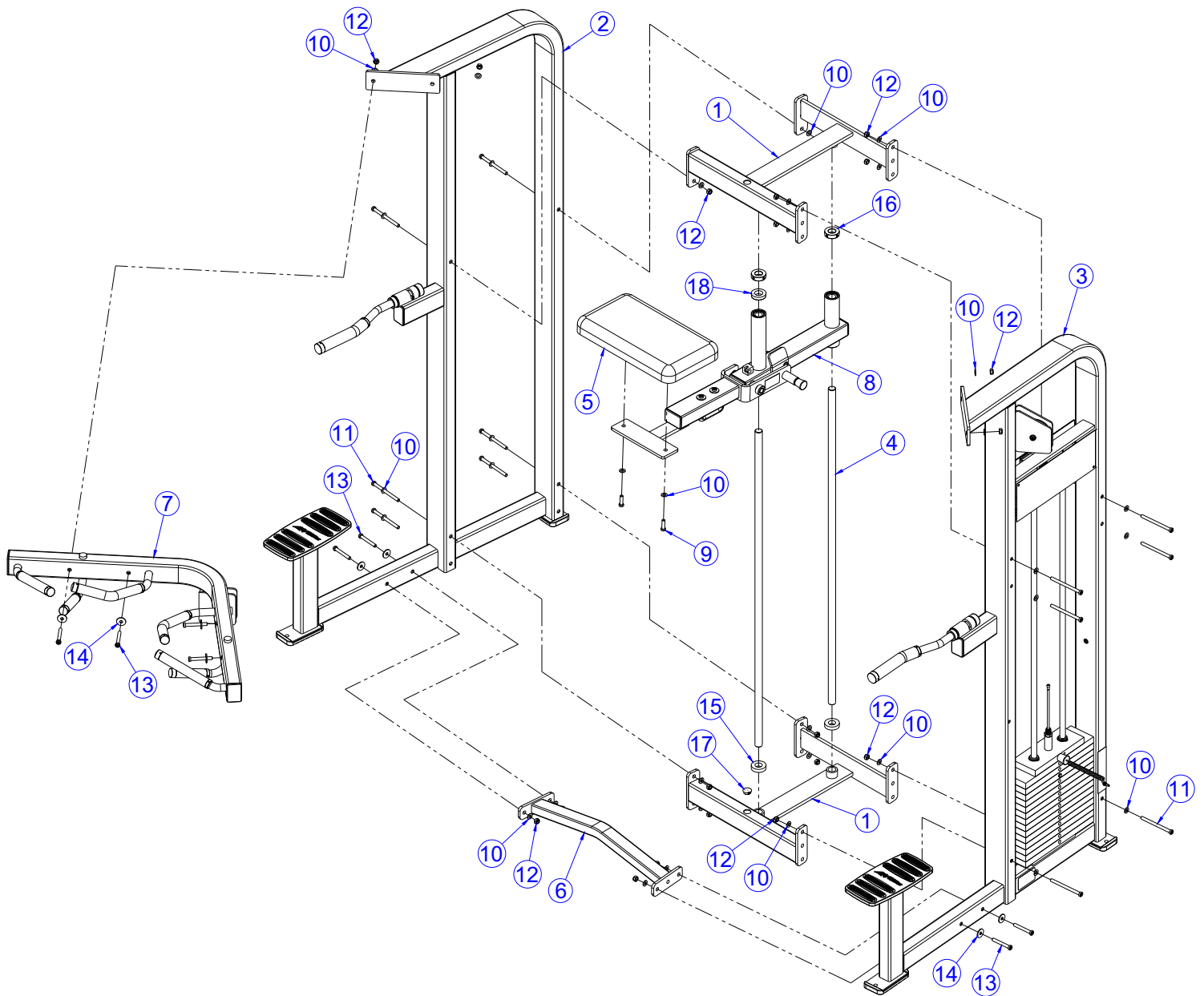


Customer Support Services
PARTS MANUAL

PSADCSE ASSISTED DIP CHIN CONTENTS

	Page
COMPONENT ASSEMBLY	3
COMPONENT ASSEMBLY LEGEND	4
STACK FRAME ASSEMBLY	5
STACK FRAME ASSEMBLY LEGEND	6
SIDE FRAME ASSEMBLY	7
SIDE FRAME ASSEMBLY LEGEND	8
CHIN BAR ASSEMBLY	9
CHIN BAR ASSEMBLY LEGEND	10
CARRIAGE ASSEMBLY	11
CARRIAGE ASSEMBLY LEGEND	12
5LB INCREMENT WEIGHT ASSEMBLY	13
INCREMENT WEIGHT ASSEMBLY W/STRIKER	14
WEIGHT STACK (225LB)	15
REAR SHROUD KIT	16
OPTIONAL FULL SHROUD KIT	17
IMAGE	18

PSADCSE ASSISTED DIP CHIN COMPONENT ASSEMBLY

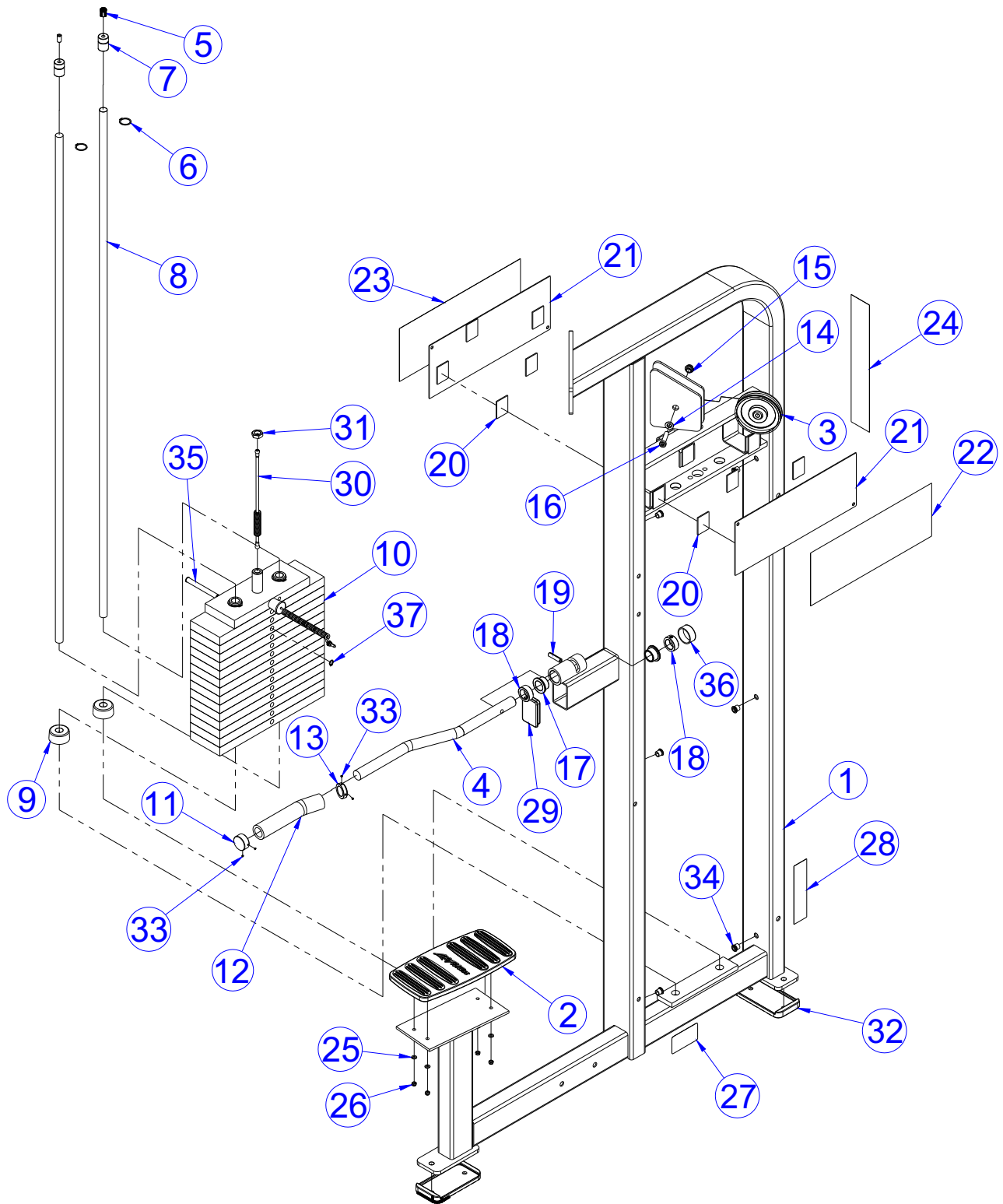


SEE PAGE 4 FOR LEGEND

PSADCSE ASSISTED DIP CHIN COMPONENT ASSEMBLY LEGEND

ITEM NO.	QTY.	PART NO.	DESCRIPTION
1	2	7892801	WLDMT, PSADC H-SUPPORT
2	1	7574901	ASSY, PSADC LSF
3	1	7575901	ASSY, PSADC STACK
4	2	7619801	GUIDE ROD, 1" DIA CASE HARDNED X 52"
5	1	72973XX	PAD, ASSY 18 X 10
6	1	7782601	WLDMT, PSADC ARM SUPPORT
7	1	7577001	ASSY, PSADC CHIN BAR
8	1	7892601	ASSY, PSADC CARRIAGE
9	2	3236204	SCREW, M10 X1.5 35MM
10	34	3236601	WASHER, 3/8 SAE SS
11	12	3236220	SCREW, M10 X1.5 130MM
12	20	3236801	NUT, M10 HEX NYLOCK SS
13	8	3236212	SCREW, M10 X1.5 75MM
14	8	3236602	WASHER, 3/8 ID X 1.25 OD SS
15	2	7901201	BUMPER, 2 OD X 1 ID X 1/2
16	2	7901101	SHAFT COLLAR, 1" ID ALUM
17	1	3237403	PLUG, 1" HOLE
18	1	7946201	BUMPER, PSADC CARRIAGE

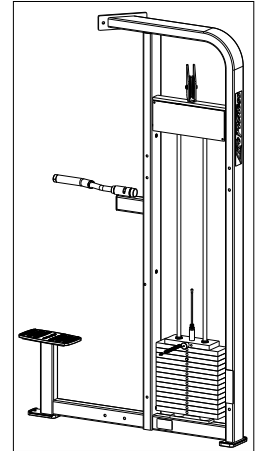
PSADCSE ASSISTED DIP CHIN STACK FRAME ASSEMBLY - 7575901



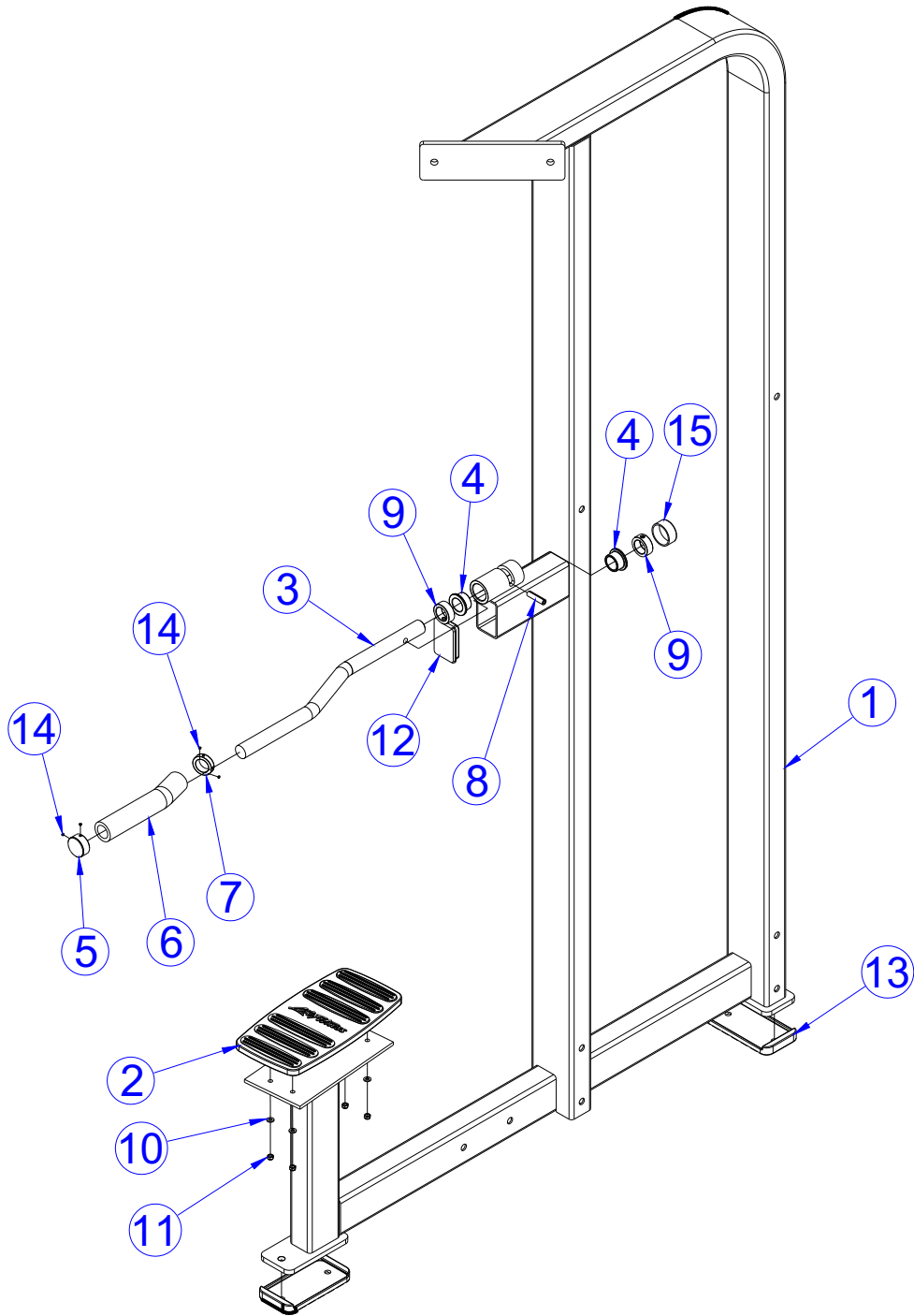
SEE PAGE 6 FOR LEGEND

PSADCSE ASSISTED DIP CHIN STACK FRAME ASSEMBLY LEGEND

ITEM NO.	QTY.	PART NO.	DESCRIPTION
1	1	7576001	WLDMNT, PSADC STACK
2	1	7424101	FOOTPLATE, PRO2
3	1	3237801	PULLEY, 4.5" OD
4	1	7575895	BROUND, PSADC DIP HANDLE
5	2	3240501	M10 X 1.5 HXS NO CUP ST BO
6	2	3232421	RING, BRE .940, 5100-100 ST PP B
7	2	7402301	RETAINER, GUIDEROD
8	2	7328606	GUIDE ROD, .75 OD SOLID 59.63
9	2	7352101	CUSHION, WEIGHT STACK
10	1	7574101	ASSY, 225LB STACK
11	1	7662902	CAP, GRIP 1.50 OD
12	1	3235802	GRIP, SHADOW GRAY, 8.00"
13	1	7662802	RING, GRIP 1.50 OD
14	1	7348101	WASHER, SPACER
15	1	7335401	NUT, M10 X 1.5 SOCKET HEAD
16	1	3236206	SCREW, M10 X1.5 45MM
17	2	3104903	1.00" ID 1.25" OD BRONZ BUSHING
18	2	7435301	COLLAR, SHAFT 1.020 ID
19	1	3110004	ROLL PIN
20	12	7544202	PAD, DUAL LOCK 250 1.5" X 2.0"
21	2	7415402	COVER, STACK-PRO2 RECT.
22	1	7582101	LABEL, PSADC PLACARD
23	1	7584201	LABEL, PSADC LOGO PANEL
24	1	7348001	LABEL, LIFE FITNESS LOGO
25	4	3241801	WASHER, FLAT 6MM SS
26	4	3236802	NUT, M6 HEX NYLOCK SS
27	1	7571301	LABEL, SERIAL NUMBER
28	1	7422000	LABEL, 2" ASTM WARN
29	1	7352301	CAP, END 2 X 3
30	1	7423723	CABLE, PSADC 105-3/4
31	1	3236902	NUT, M16 X 2 HEX JAM SS
32	2	7388201	FOOTPAD, PS RUBBER
33	4	3247701	M4 X .7 HXS NO CUP ST BO
34	6	3238101	NUT, BLIND INSERT M10 X 1.5
35	1	7564501	PIN, FZ/PS, WEIGHT PLATE
36	1	3242601	CAP, END, 1.375 X .750 RD, BLACK VINYL
37	1	3243901	RING, BRE M11, ST, PP

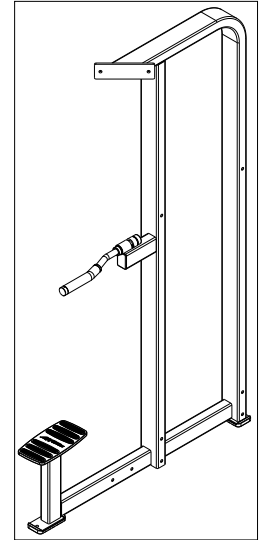


PSADCSE ASSISTED DIP CHIN LEFT SIDE FRAME ASSEMBLY - 7574901



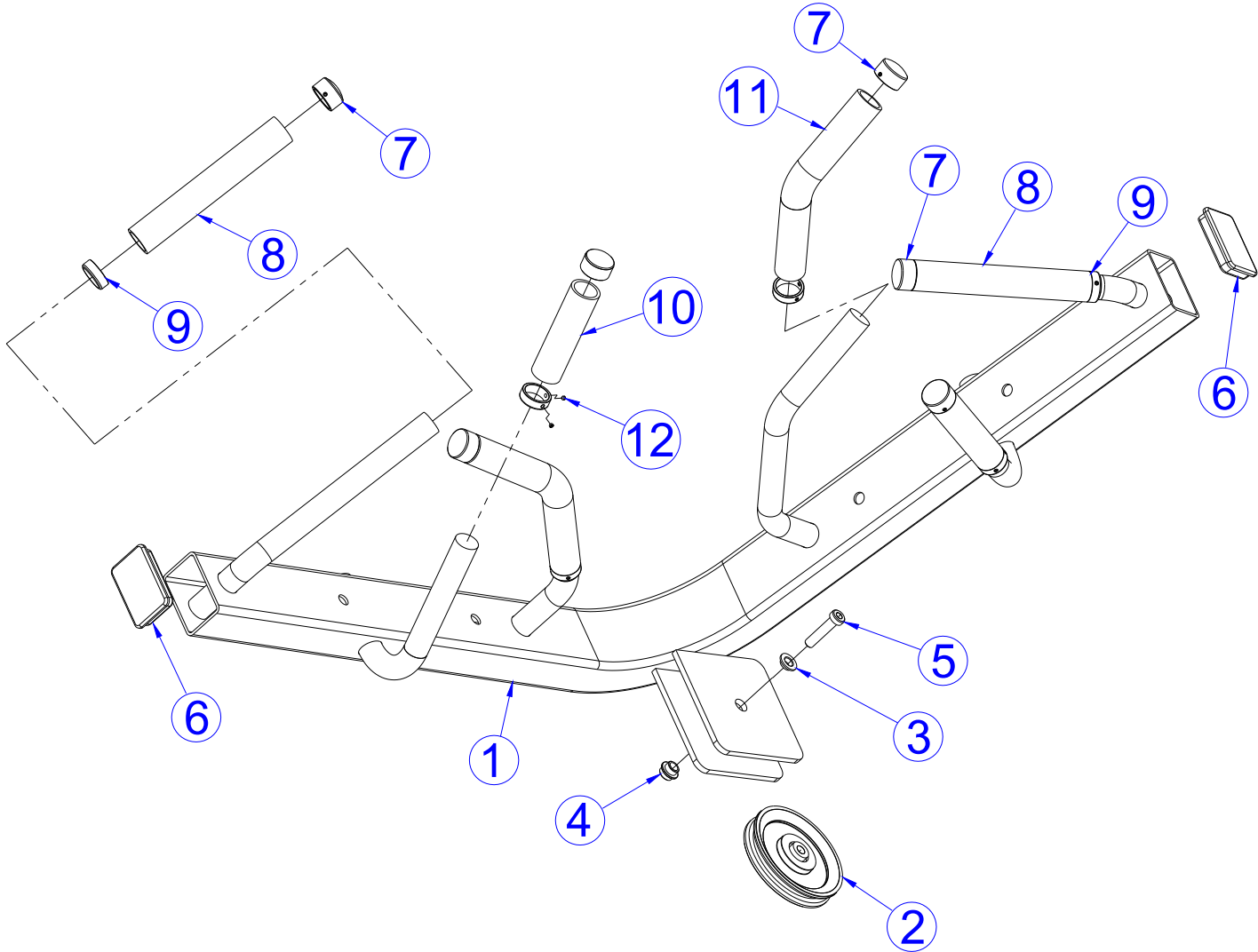
SEE PAGE 8 FOR LEGEND

PSADCSE ASSISTED DIP CHIN MOVEMENT ARM ASSEMBLY LEGEND



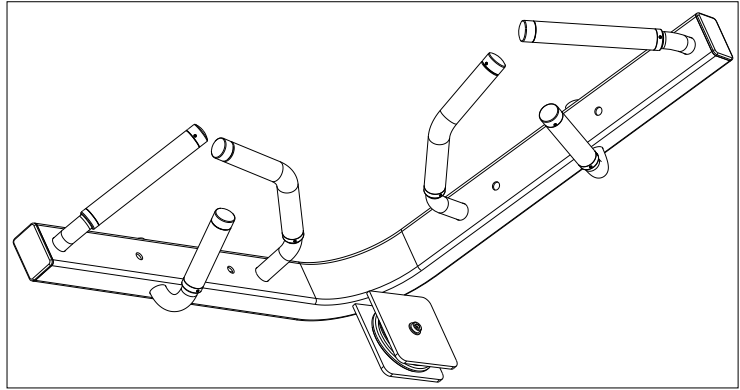
ITEM NO.	QTY.	PART NO.	DESCRIPTION
1	1	7575001	WLDMNT, PSADC LSF
2	1	7424101	FOOTPLATE, PRO2
3	1	7575895	BROUND, PSADC DIP HANDLE
4	2	3104903	1.00" ID 1.25" OD BRONZ BUSHING
5	1	7662902	CAP, GRIP 1.50 OD
6	1	3235802	GRIP, SHADOW GRAY, 8.00"
7	1	7662802	RING, GRIP 1.50 OD
8	1	3110004	ROLL PIN
9	2	7435301	COLLAR, SHAFT 1.020 ID
10	4	3241801	WASHER, FLAT 6MM SS
11	4	3236802	NUT, M6 HEX NYLOCK SS
12	1	7352301	CAP, END 2 X 3
13	2	7388201	FOOTPAD, PS RUBBER
14	4	3247701	M4 X .7 HXS NO CUP ST BO
15	1	3242601	CAP, END, 1.375 X .750 RD, BLACK VINYL

PSADCSE ASSISTED DIP CHIN
CHIN BAR ASSEMBLY - 7577001



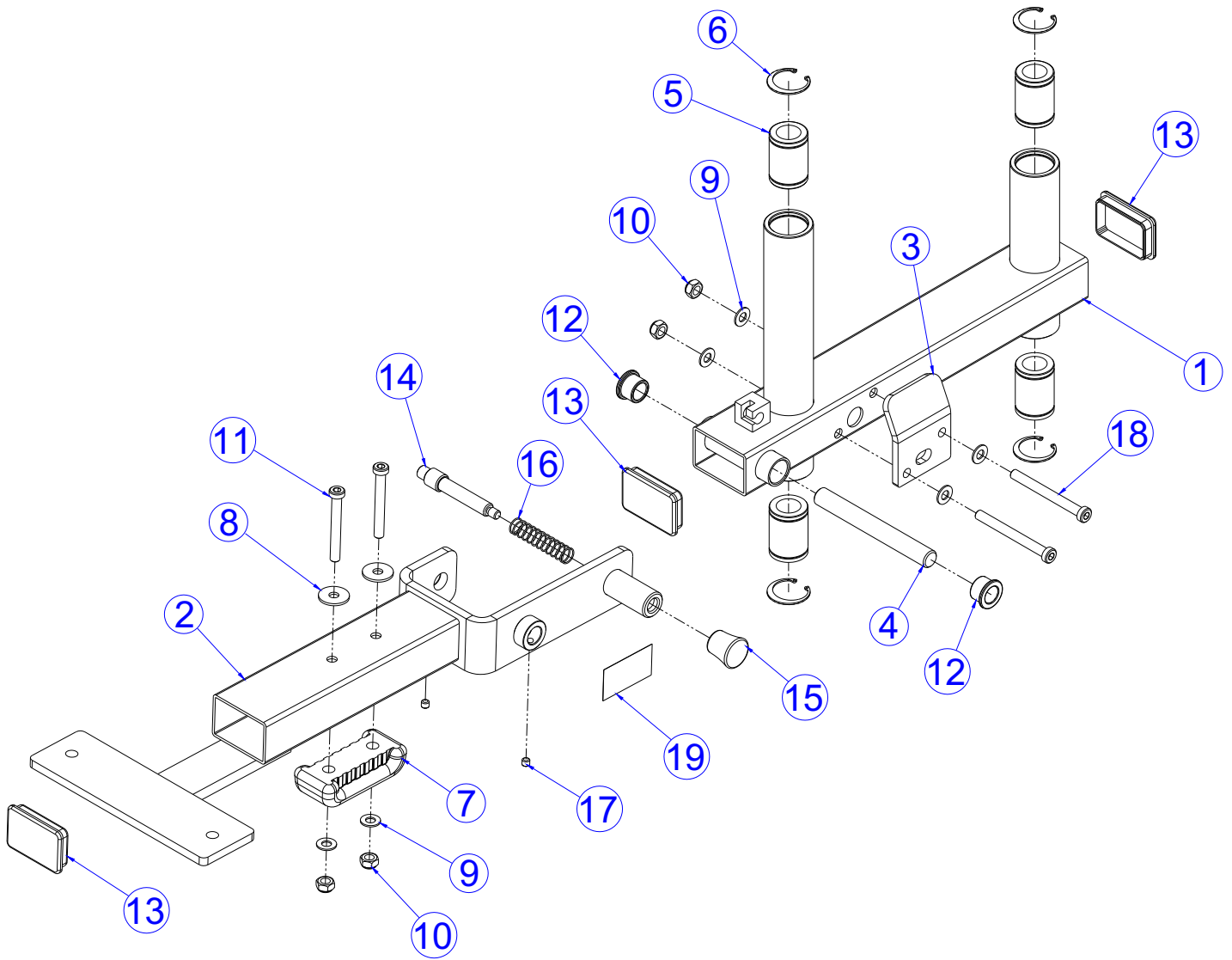
SEE PAGE 10 FOR LEGEND

PSADCSE ASSISTED DIP CHIN CHIN BAR ASSEMBLY LEGEND



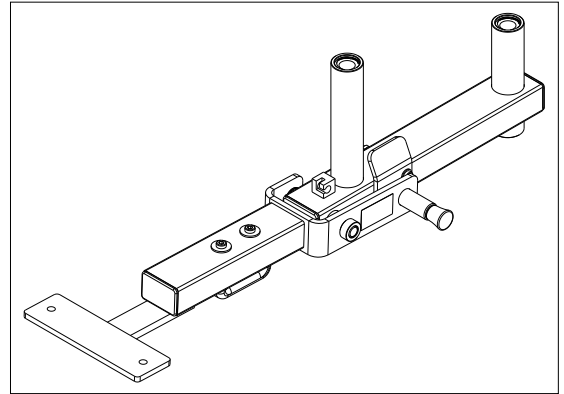
ITEM NO.	QTY.	PART NO.	DESCRIPTION
1	1	7577101	WLDMNT, PSADC CHIN BAR
2	1	3237801	PULLEY, 4.5" OD
3	1	7348101	WASHER, SPACER
4	1	7335401	NUT, M10 X 1.5 SOCKET HEAD
5	1	3236206	SCREW, M10 X1.5 45MM
6	2	7352301	CAP, END 2 X 3
7	6	7662901	CAP, GRIP 1.25 OD
8	2	3235801	GRIP, SHADOW GRAY, 8.00"
9	6	7662801	RING, GRIP 1.25 OD
10	2	3235801	GRIP, SHADOW GRAY, 5.00"
11	2	3235801	GRIP, SHADOW GRAY, 10.00"
12	24	3247701	M4 X .7 HXS NO CUP ST BO

PSADCSE ASSISTED DIP CHIN CARRIAGE ASSEMBLY - 7892601



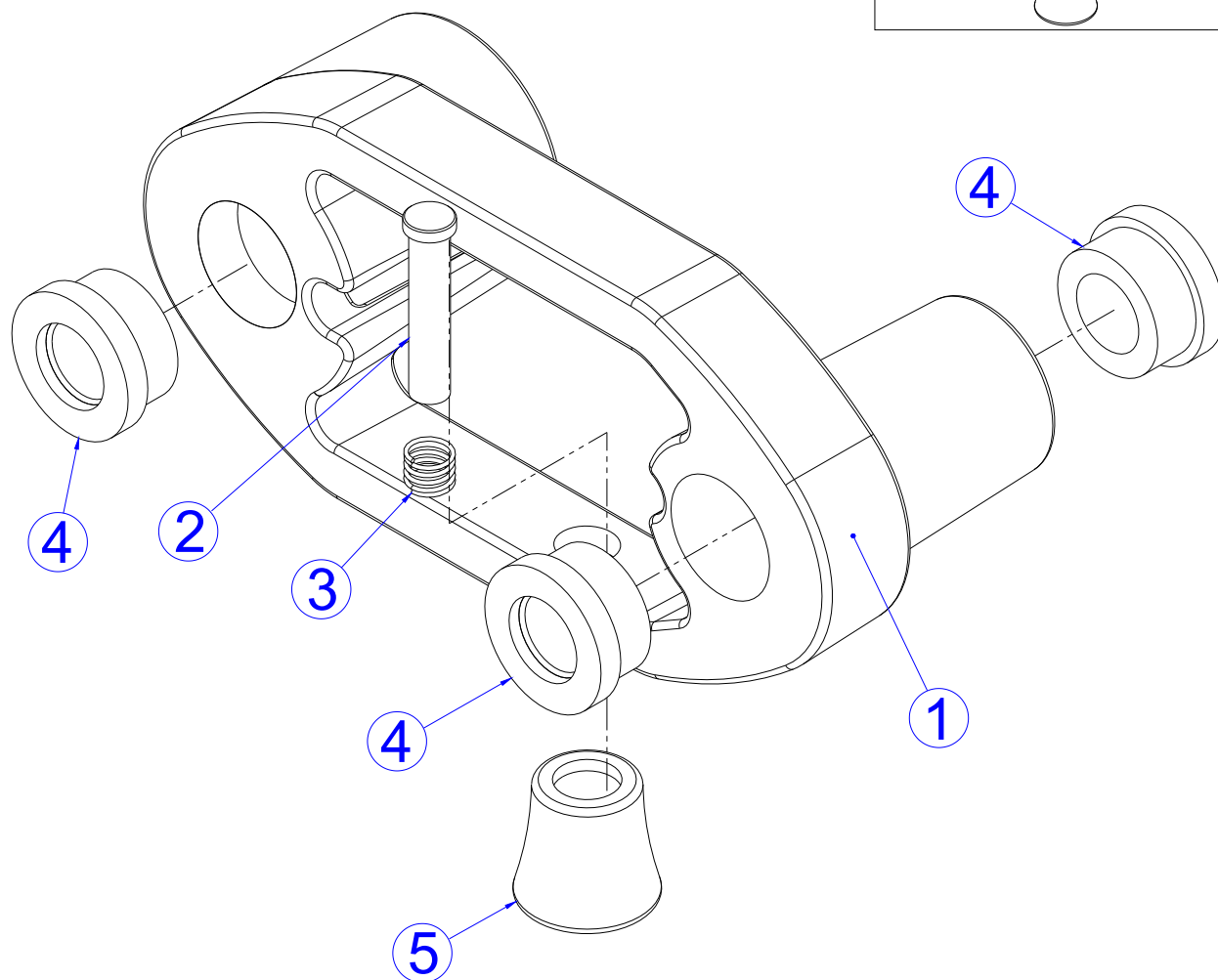
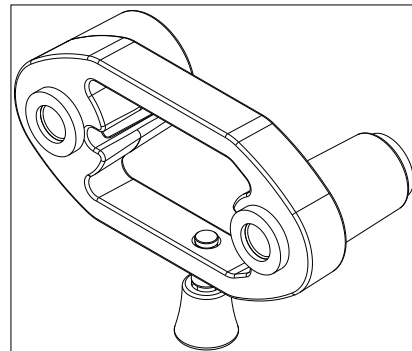
SEE PAGE 12 FOR LEGEND

PSADCSE ASSISTED DIP CHIN CARRIAGE ASSEMBLY LEGEND



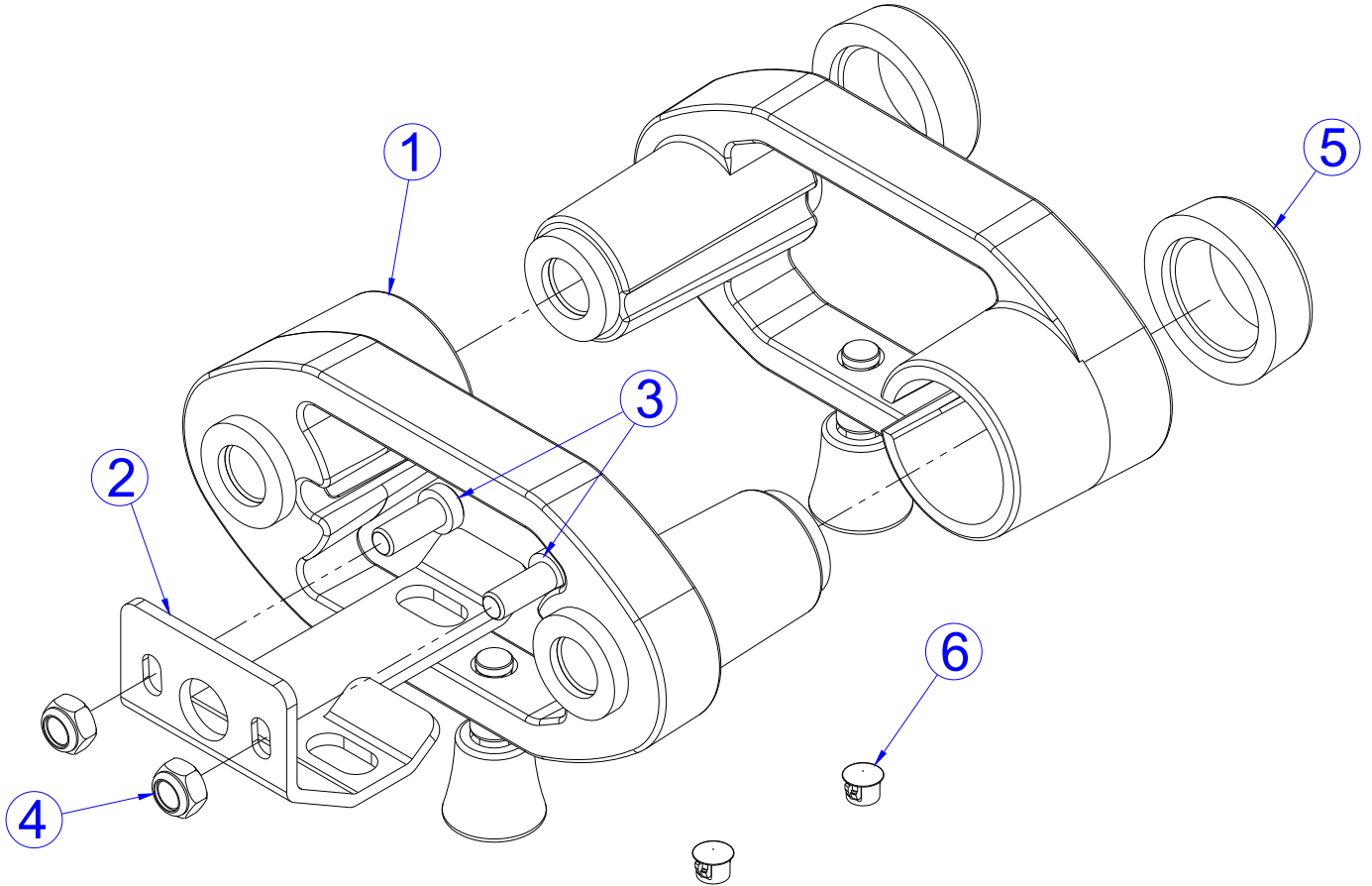
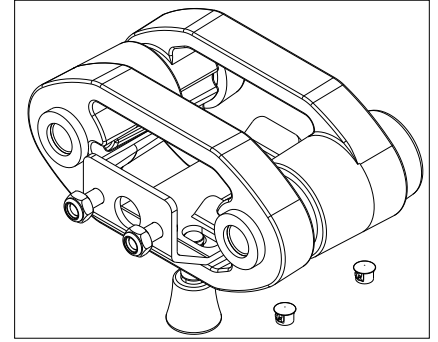
ITEM NO.	QTY.	PART NO.	DESCRIPTION
1	1	7892701	WLDMT, PSADC CARRIAGE
2	1	7892901	WLDMT, PSADC WORK ARM
3	1	7900901	BRKT, PSADC STRIKER
4	1	7901001	SHAFT, PSADC ARM PIVOT
5	4	3245601	BEARING, LINEAR 1" ID
6	4	3202601	RET RING, INT 1-3/4 DIA X1/16
7	1	7352001	BUMPER, 2-1/8 X 4-5/8
8	2	3236602	WASHER, 3/8 ID X 1.25 OD SS
9	6	3236601	WASHER, 3/8 SAE SS
10	4	3236801	NUT, M10 HEX NYLOCK SS
11	2	3236213	SCREW, M10 X1.5 80MM
12	2	3104901	.75" ID 1.00" OD BRONZE BUSHING
13	3	7352301	CAP, END 2 X 3
14	1	7351301	PIN, PULL X 4.375
15	1	7351401	KNOB, TULIP STYLE
16	1	7351501	SPRING; PULL PIN LARGE
17	2	3242901	SCREW, SET BO
18	2	3236217	SCREW, M10 X1.5 100MM
19	1	7422003	LABEL, MOVING PARTS

PSADCSE ASSISTED DIP CHIN 5LB INCREMENT WEIGHT ASSEMBLY - 7446501



ITEM NO	QTY	PART NO	DESCRIPTION
1	1	7446602	BODY, 5LB INCREMENT WEIGHT
2	1	7446901	PIN, RETAINING
3	1	7447001	SPRING, COMPRESSION
4	3	7560001	BUSHING, MTS, INC WEIGHT
5	1	7351401	KNOB, TULIP STYLE

PSADCSE ASSISTED DIP CHIN INCREMENT WEIGHT W/STRIKER - 7415101

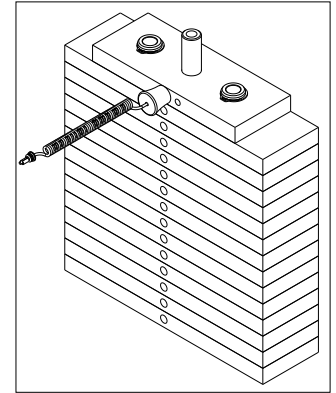
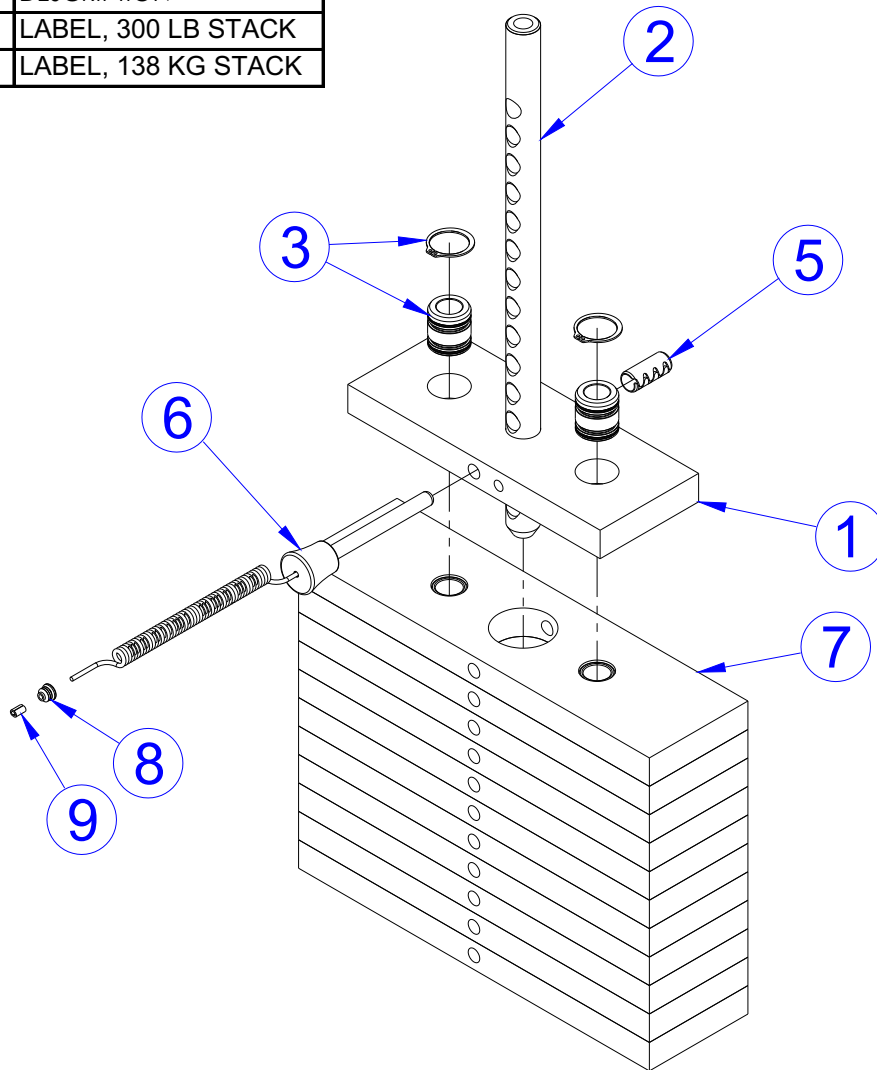


ITEM NO	QTY	PART NO	DESCRIPTION
1	2	7446501	ASSY, 5LB INCREMENT WEIGHT
2	1	8002601	PLATE, INCR. WT STRIKER
3	2	3236202	SCREW, M10 X1.5 25MM
4	2	3236801	NUT, M10 HEX NYLOCK SS
5	2	7767601	BUMPER, PS INCREMENT WT
6	2	3237401	PLUG, 7/16" HOLE

PSADCSE ASSISTED DIP CHIN WEIGHT STACK ASSY 225LB - 7574101

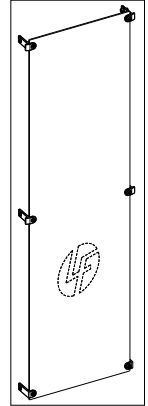
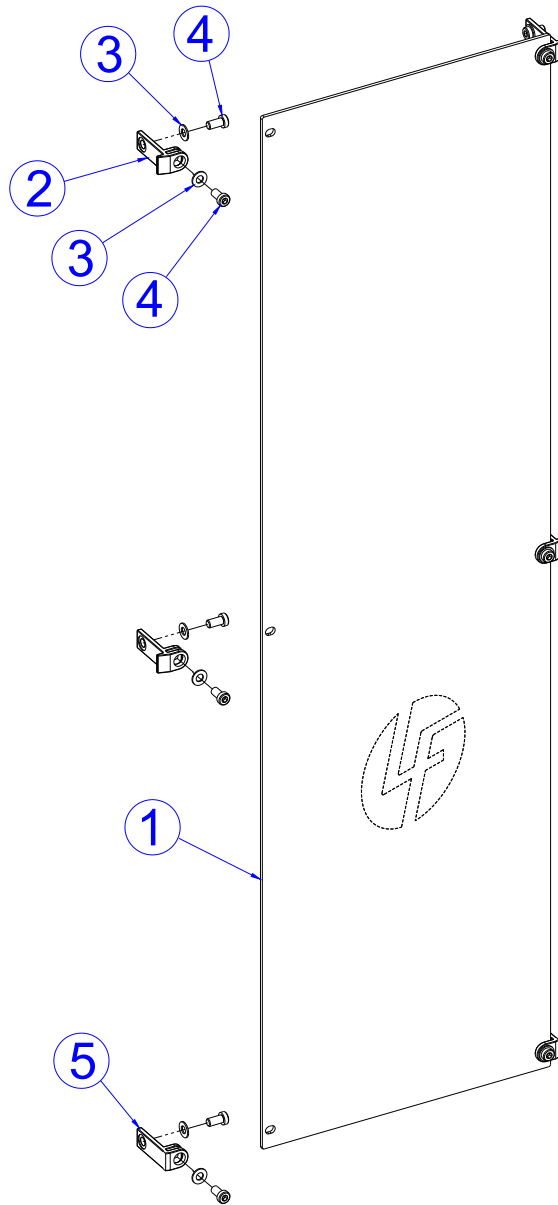
WEIGHT STACK LABELS

PART NO	DESCRIPTION
7987201	LABEL, 300 LB STACK
7987401	LABEL, 138 KG STACK



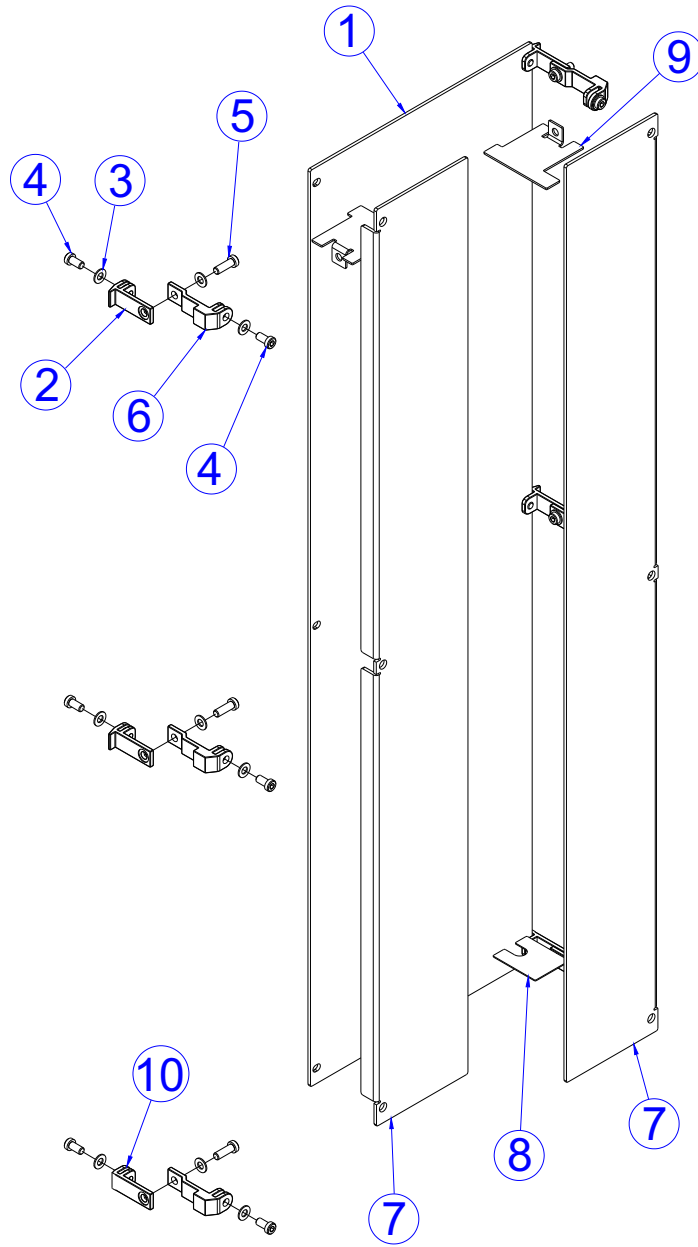
ITEM NO.	QTY.	PART NO.	DESCRIPTION
1	1	7353901	HEADPLATE, WT. STACK
2	1	7352601	BAYONET, 14 PLATE
3	2	7338001	BUSHING, HEADPLATE
5	1	3236001	BUSHING, SPRING PIN
6	1	7353001	ASSY, SELECTOR PIN
7	14	7353801	ASSY, 15 LB PLATE
8	1	7356501	PLUG, LANYARD ATTACHMENT
9	1	7523601	CRIMP, CABLE

PSADCSE ASSISTED DIP CHIN REAR SHROUD KIT - 7782801



ITEM NO.	QTY.	PART NO.	DESCRIPTION
1	1	7376806	SHIELD, PS REAR
2	4	7655301	BRACKET, PS REAR SHIELD
3	12	3236601	WASHER, 3/8 SAE SS
4	12	3236201	SCREW, M10 X1.5 20MM
5	2	7782701	BRKT, PSADC REAR SHIELD

PSADCSE ASSISTED DIP CHIN OPTIONAL FULL SHROUD KIT - 7782901



ITEM NO.	QTY.	PART NO.	DESCRIPTION
1	1	7376806	SHIELD, PS REAR
2	4	7655301	BRACKET, PS REAR SHIELD
3	18	3236601	WASHER, 3/8 SAE SS
4	12	3236201	SCREW, M10 X1.5 20MM
5	6	3236203	SCREW, M10 X1.5 30MM
6	6	7376601	BRACKET, PS FRONT SHIELD
7	2	7376906	SHIELD, PS - FRONT
8	2	7570901	PLATE, PS SHIELD STAND-OFF
9	2	7657401	PLATE, PRO2 SHROUD SPCR
10	2	7782701	BRKT, PSADC REAR SHIELD

PSADCSE ASSISTED DIP CHIN IMAGE

