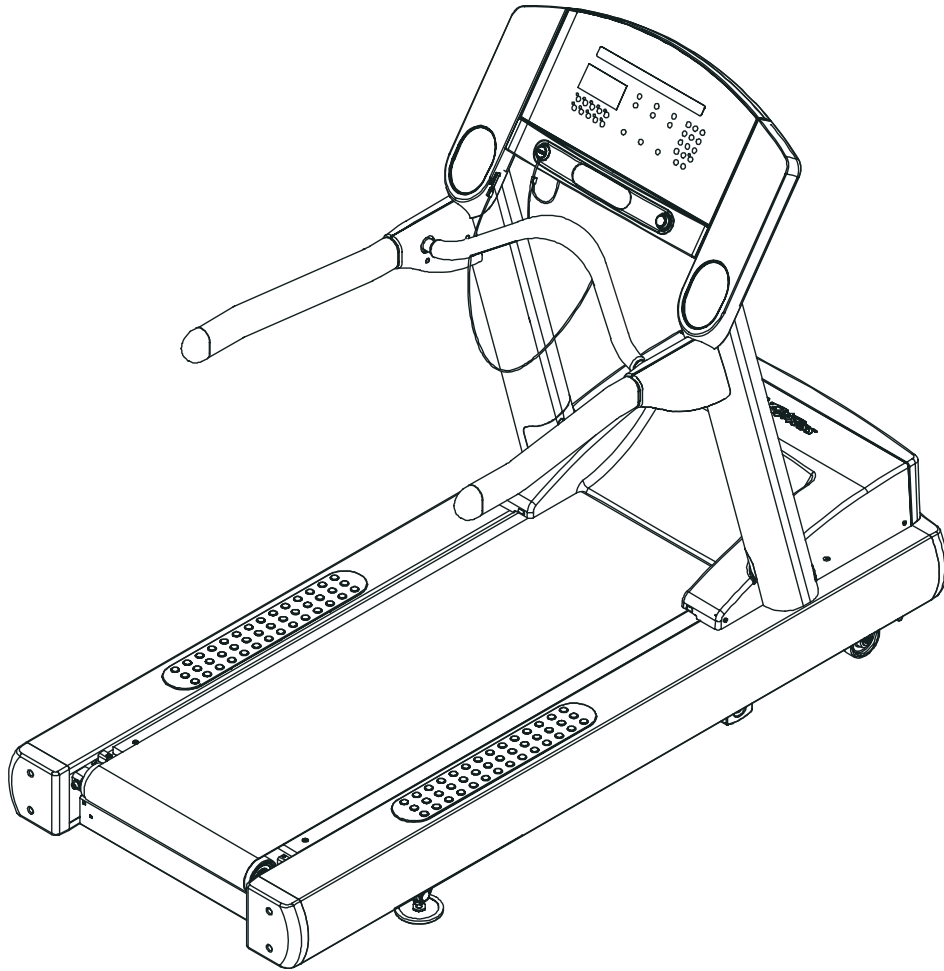


LifeFitness

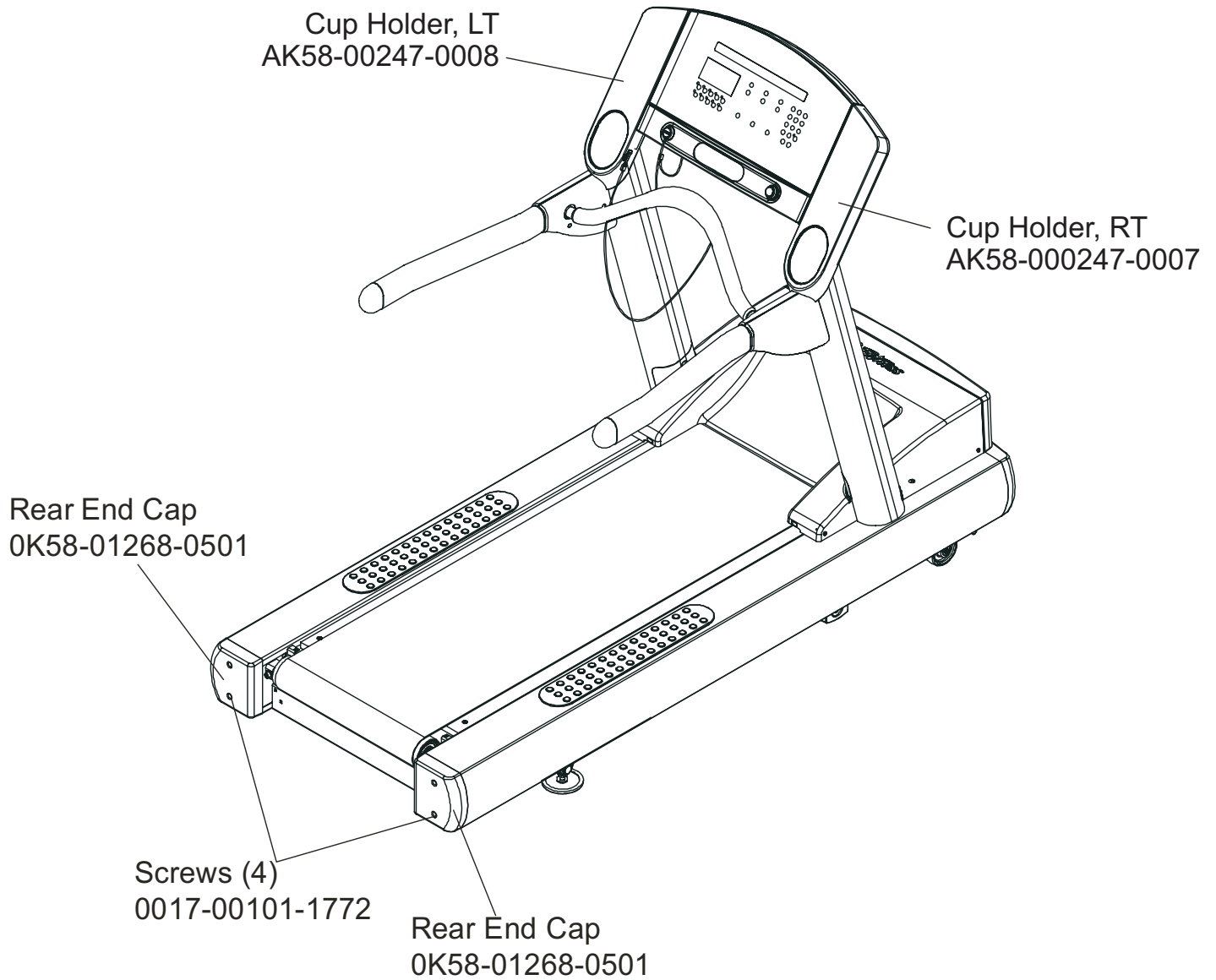
Retro Fitness Treadmill CLST-0100-01RF



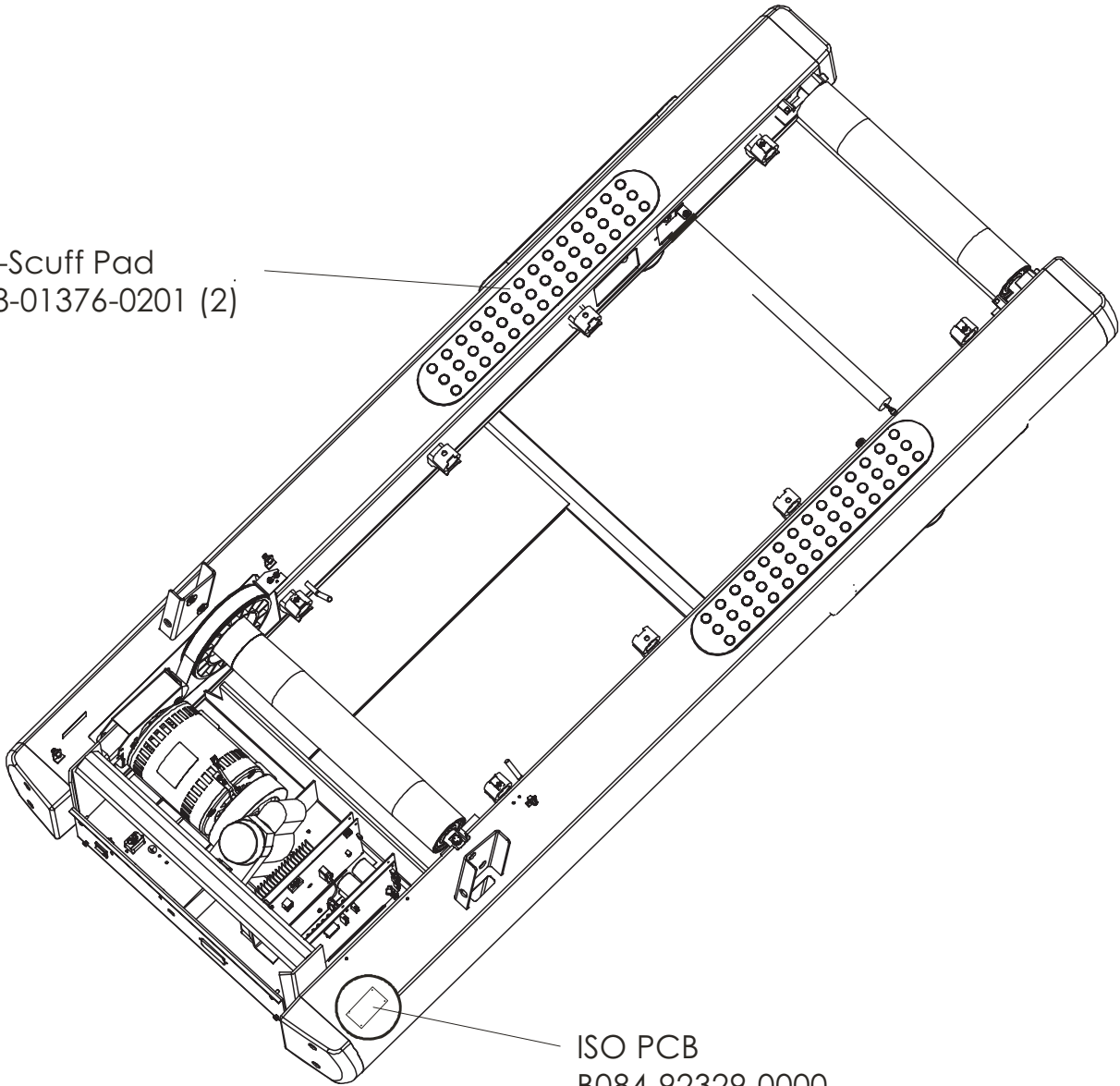
Customer Support Services
PARTS MANUAL rev 03 Mar 2011

| | |
|--|----|
| Miscellaneous | 3 |
| Rear End Caps and Cup Holders..... | 4 |
| Scuff Pad and Frame Tag Board | 5 |
| Console and Related Components | 6 |
| Uprights, Handrails, and Ergo Bar | 7 |
| Ergo Bar with Heart Rate Assembly | 8 |
| Motor Cover, Front Cover, and End Caps..... | 9 |
| Belt, Deck, and Rear Roller..... | 10 |
| Lift Frame, Lift Motor, and IEC Receptacle | 11 |
| DSP Controller Assembly | 12 |
| Drive Motor Assembly..... | 13 |
| Idler Arm Assembly and Static Brush..... | 14 |
| Leg Leveler Assembly..... | 15 |
| Front Roller Assembly | 16 |
| Line Cords and Line Cord Options | 17 |
| Block Diagrams | 18 |

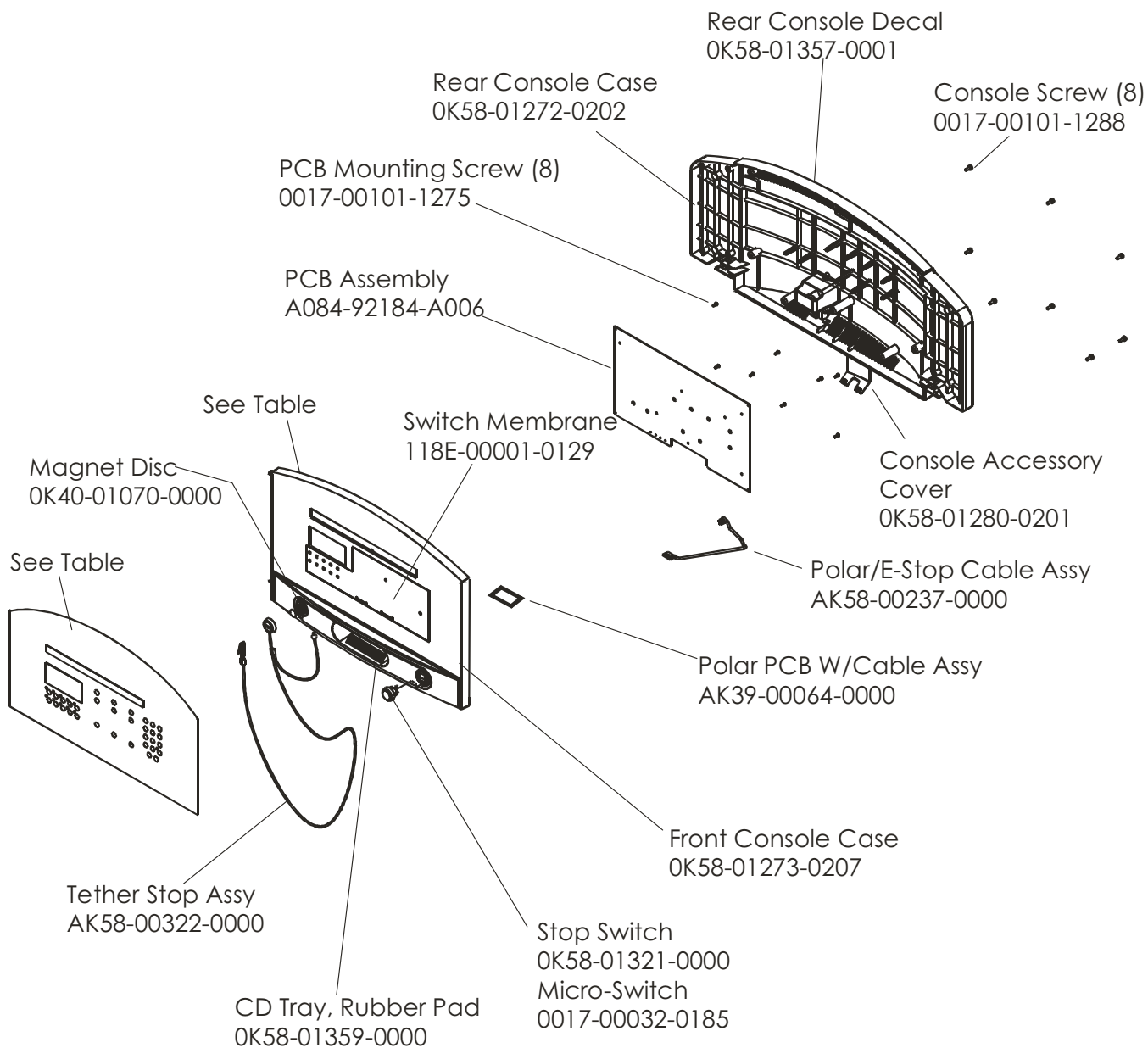
| Description | Part No. |
|--|---|
| OPERATION MANUAL (CD) | AK58-00634-0000 |
| SERVICE MANUAL | M051-00K58-A159 |
| HARDWARE BAG | AK58-00226-0100 |
| HEX YELLOW TOUCH UP PAINT: 12 OZ SPRAY CAN .6 OZ BOTTLE W/APPLICATOR | 8809701 8809801 |
| ACCESS PANEL ASSY CONSISTS OF: 1) 120" POWER EXT. CABLE 2) CONNECTOR MTG. PLATE 3) F-TYPE ADP CONNECTOR 4) F-TYPE PANEL CONNECTOR | AK58-00329-0000 AK32-00020-0002 0K58-01392-0000 0017-00021-2810 0017-00021-2846 |
| INSTALLATION VIDEO | M051-00K58-A160 |



Anti-Scuff Pad
OK58-01376-0201 (2)



ISO PCB
B084-92329-0000

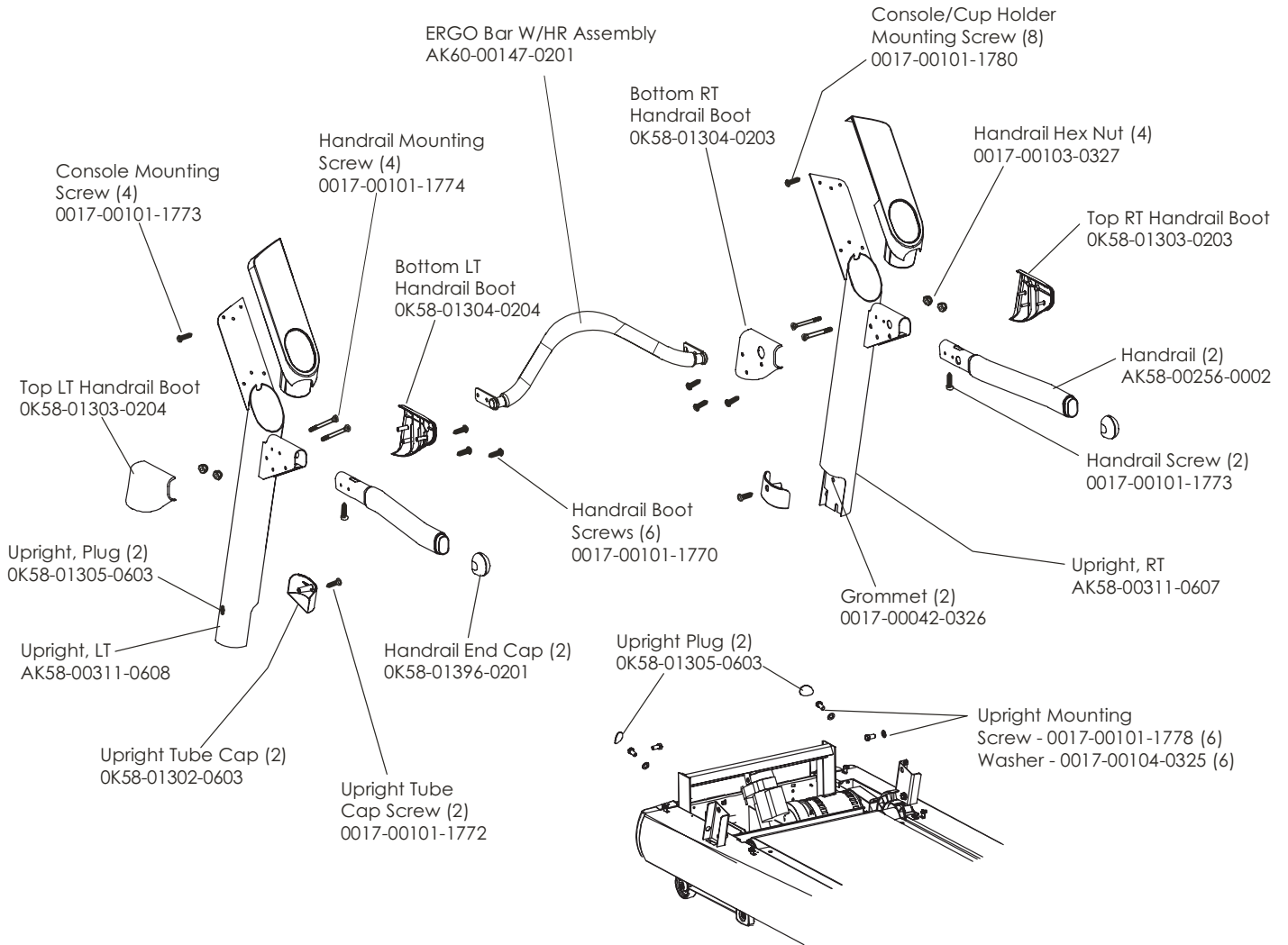


| Language | Part Nos. | |
|----------|------------------|-----------------|
| | Console Assembly | Overlay |
| Eng/Met | AK58-00580-0101 | 0K58-01357-0001 |

RETRO FITNESS TREADMILL

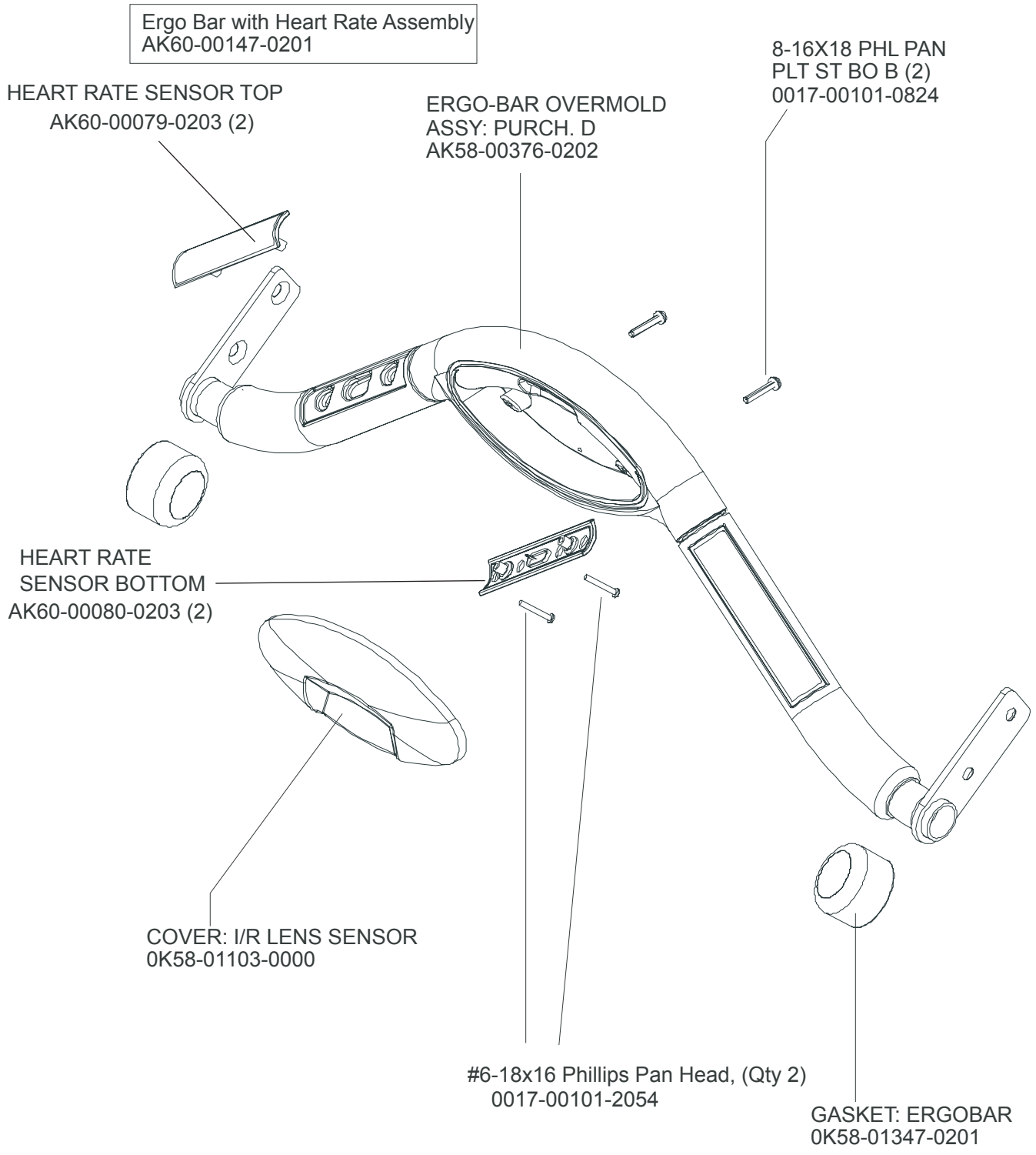
Uprights and Handrails

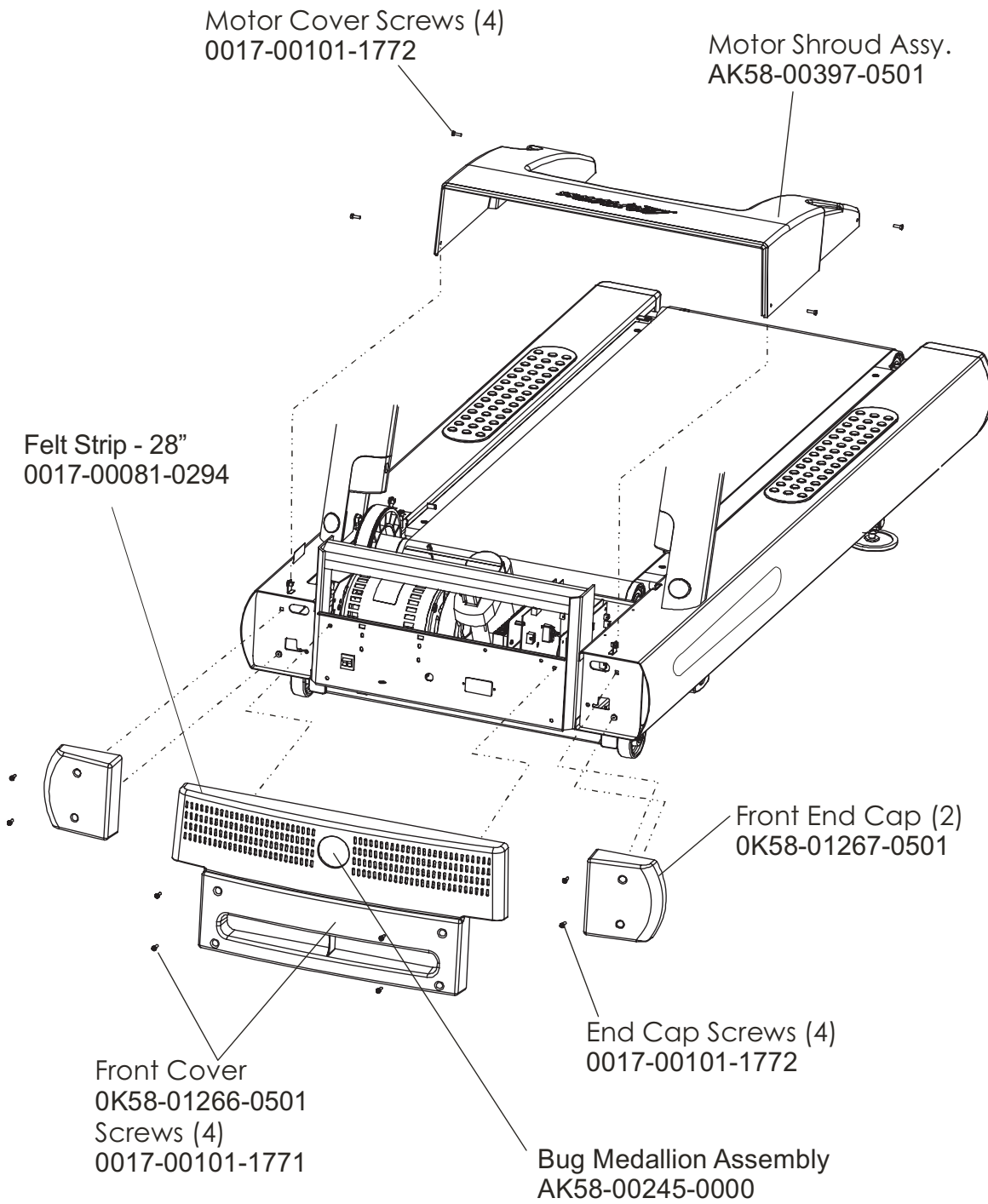
CLST-0100-01RF
S/N CLST320000 - 399999

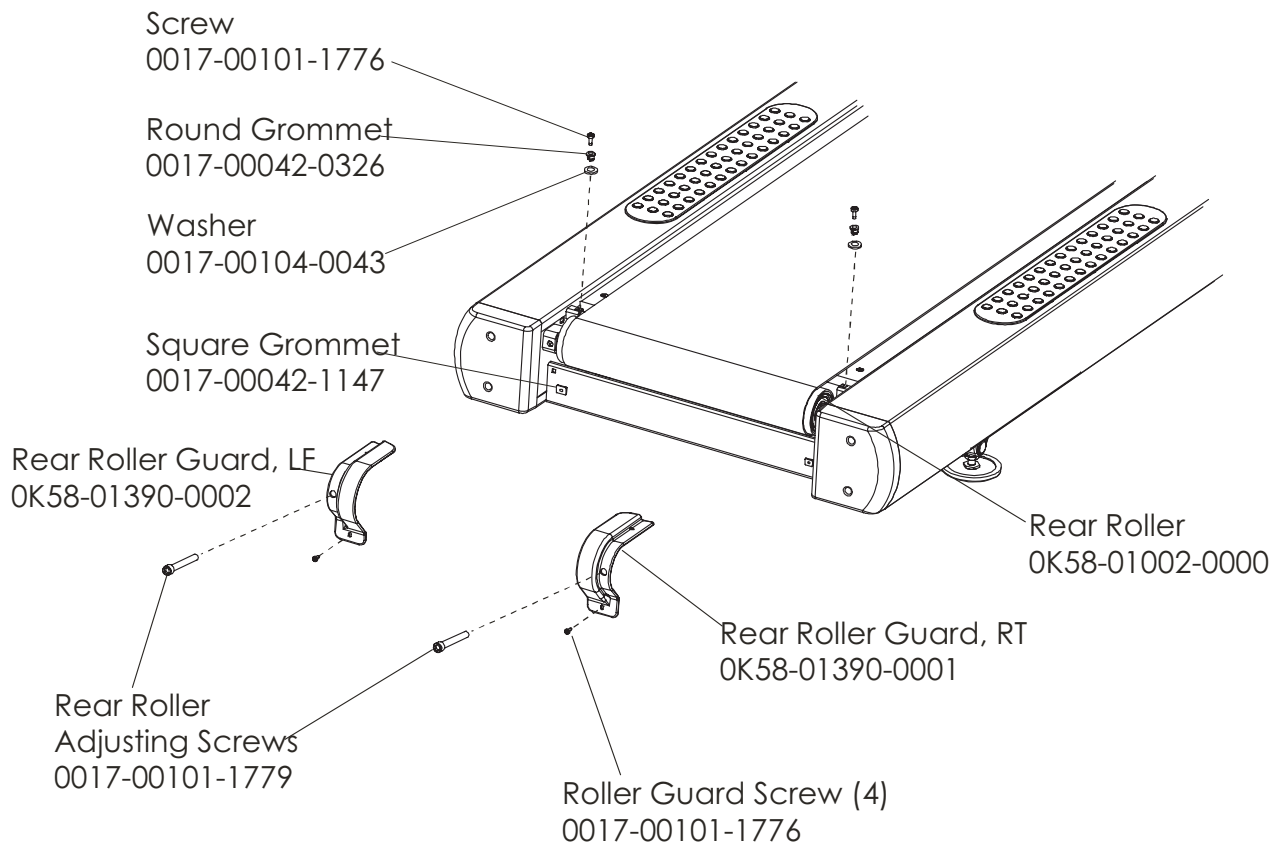
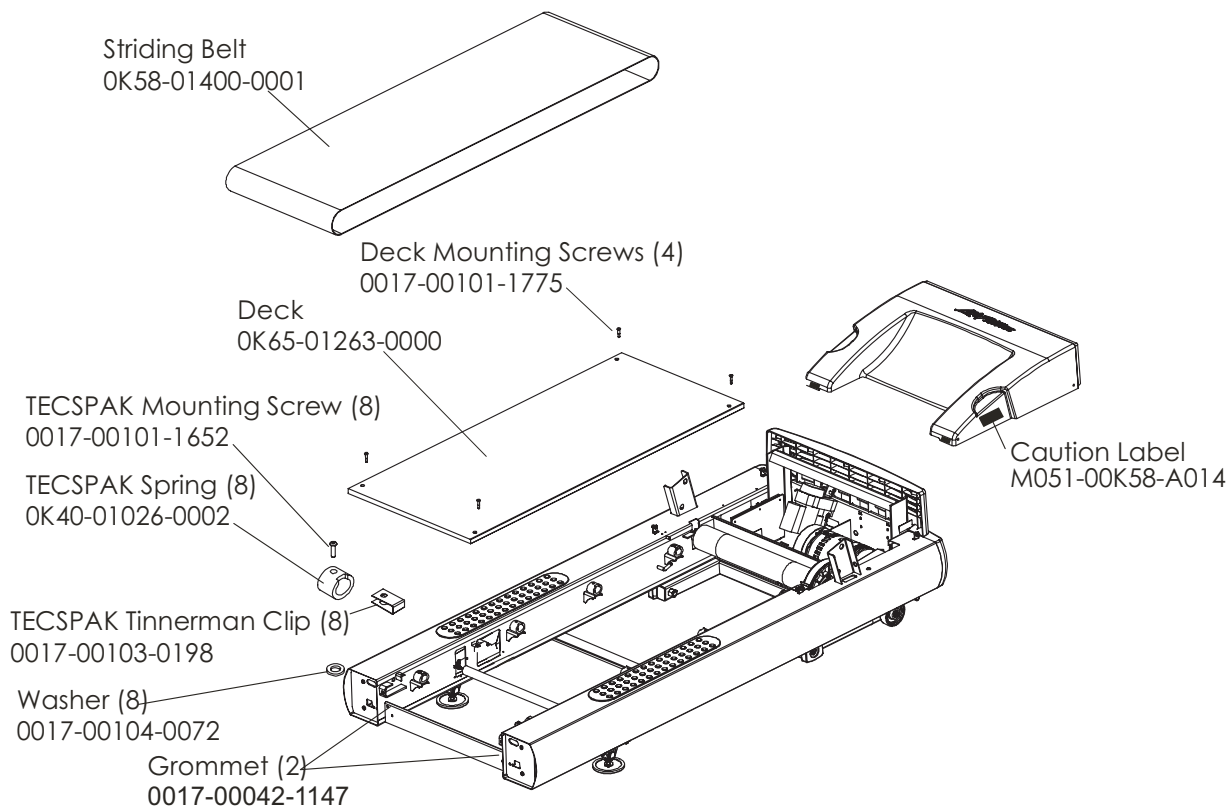


RETRO FITNESS TREADMILL
Ergo Bar with Heart Rate Assembly

CLST-0100-01RF
S/N CLST320000 - 399999

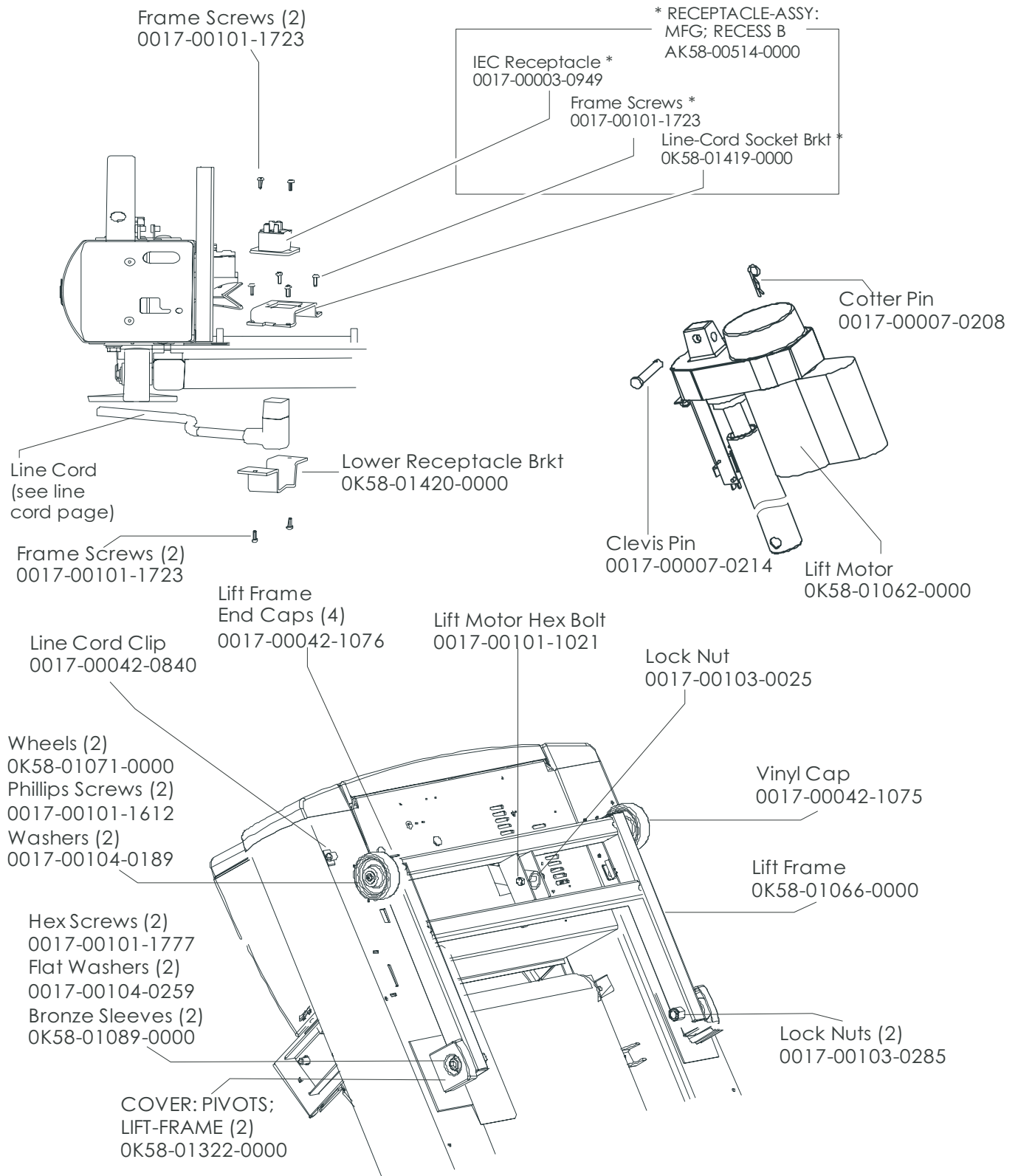




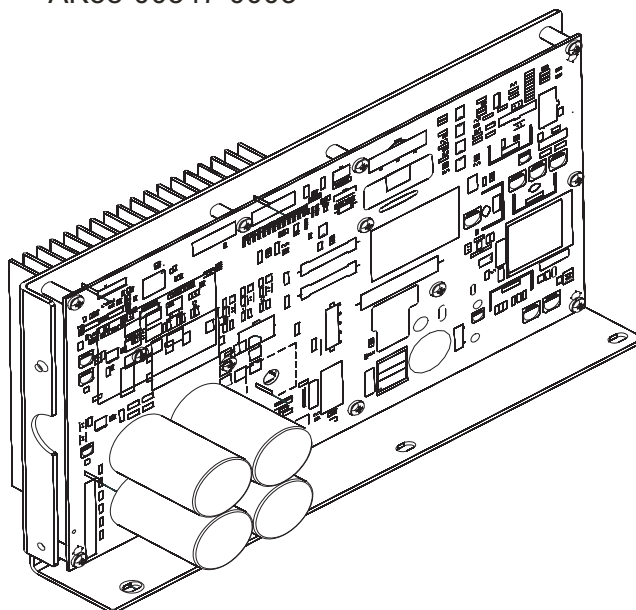


RETRO FITNESS TREADMILL
Lift Frame, Lift Motor and IEC Receptacle

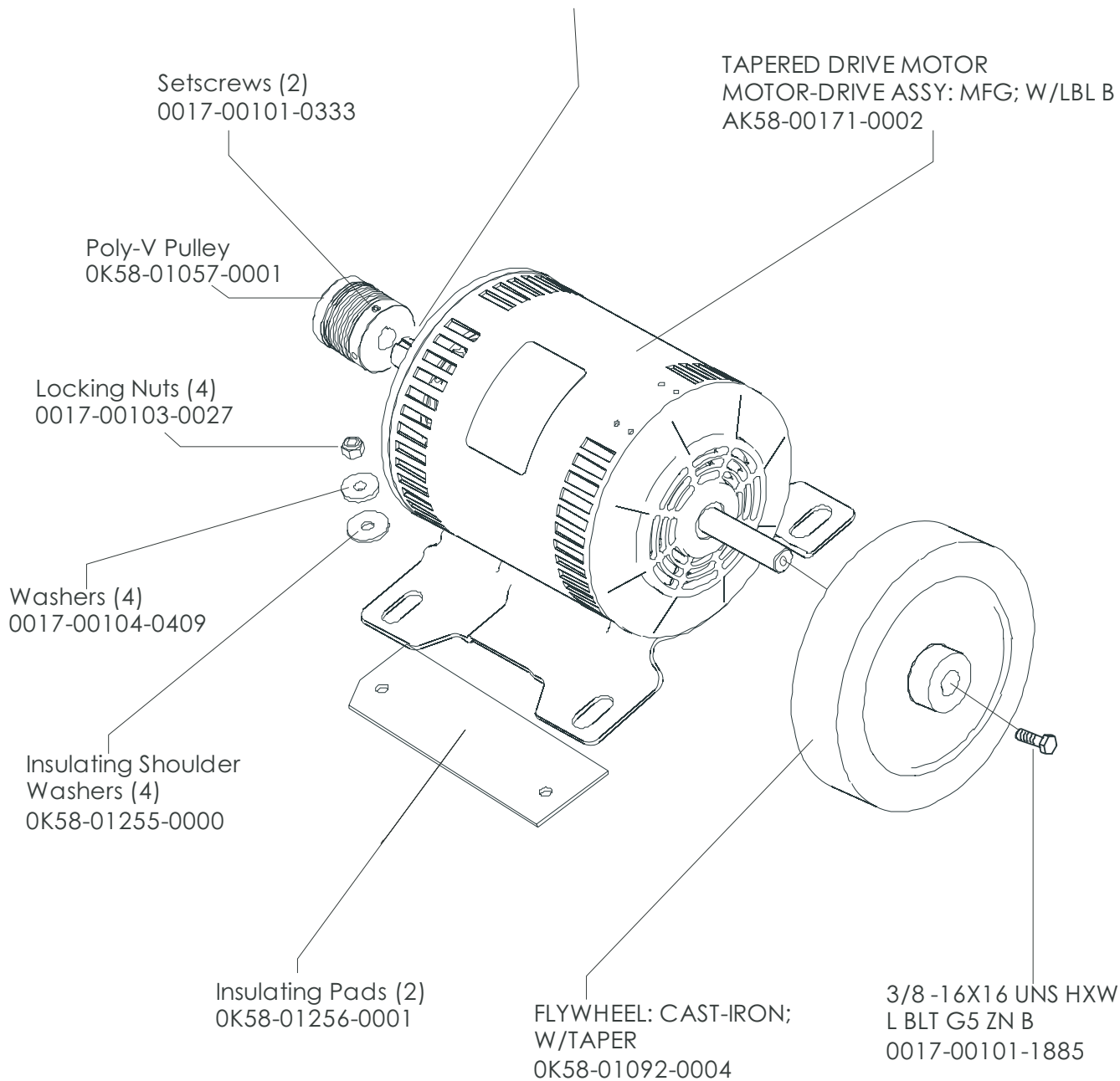
CLST-0100-01RF
S/N CLST320000 - 399999

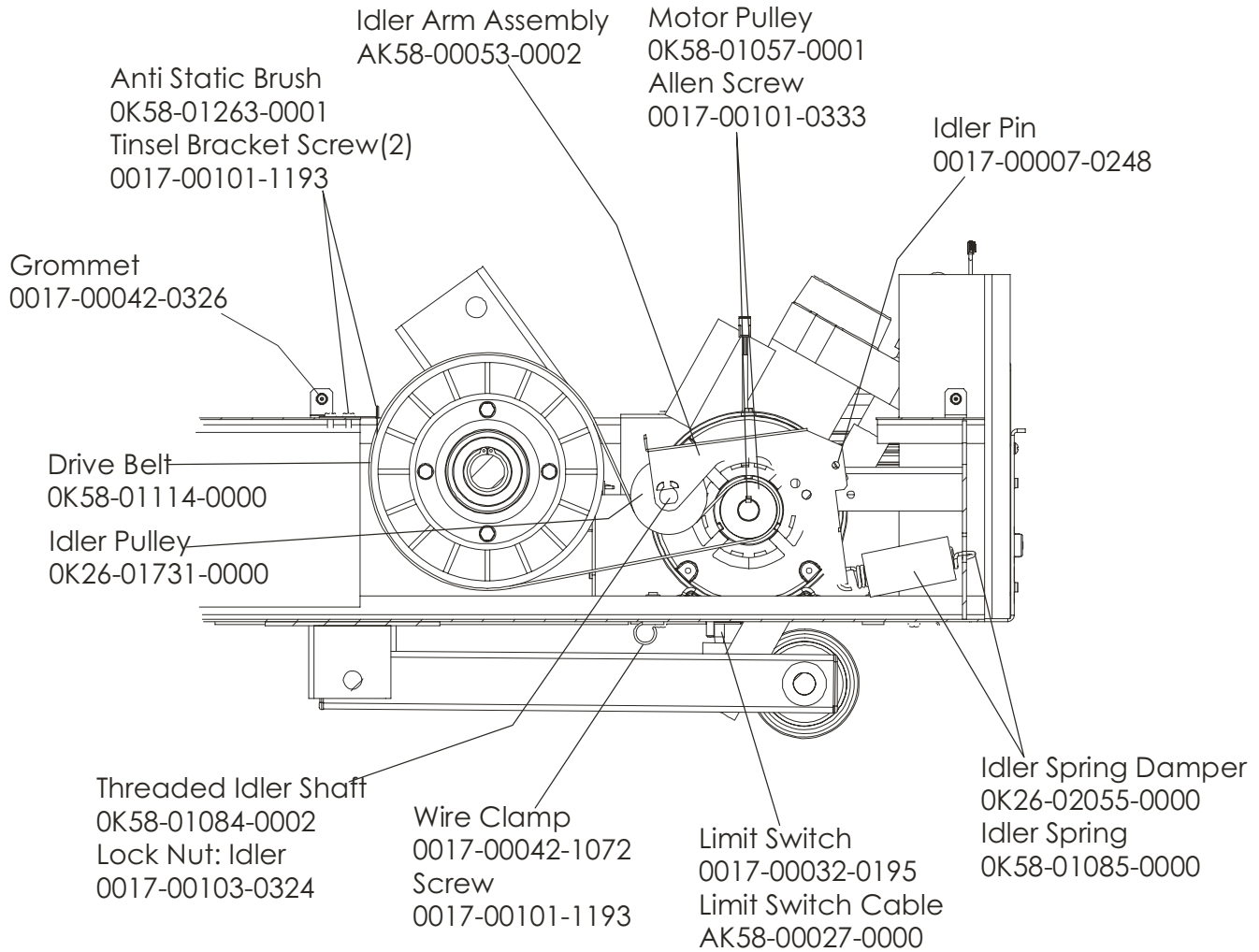


DSP w/Cables
100-120V
AK58-00547-0001
200-240V
AK58-00547-0003

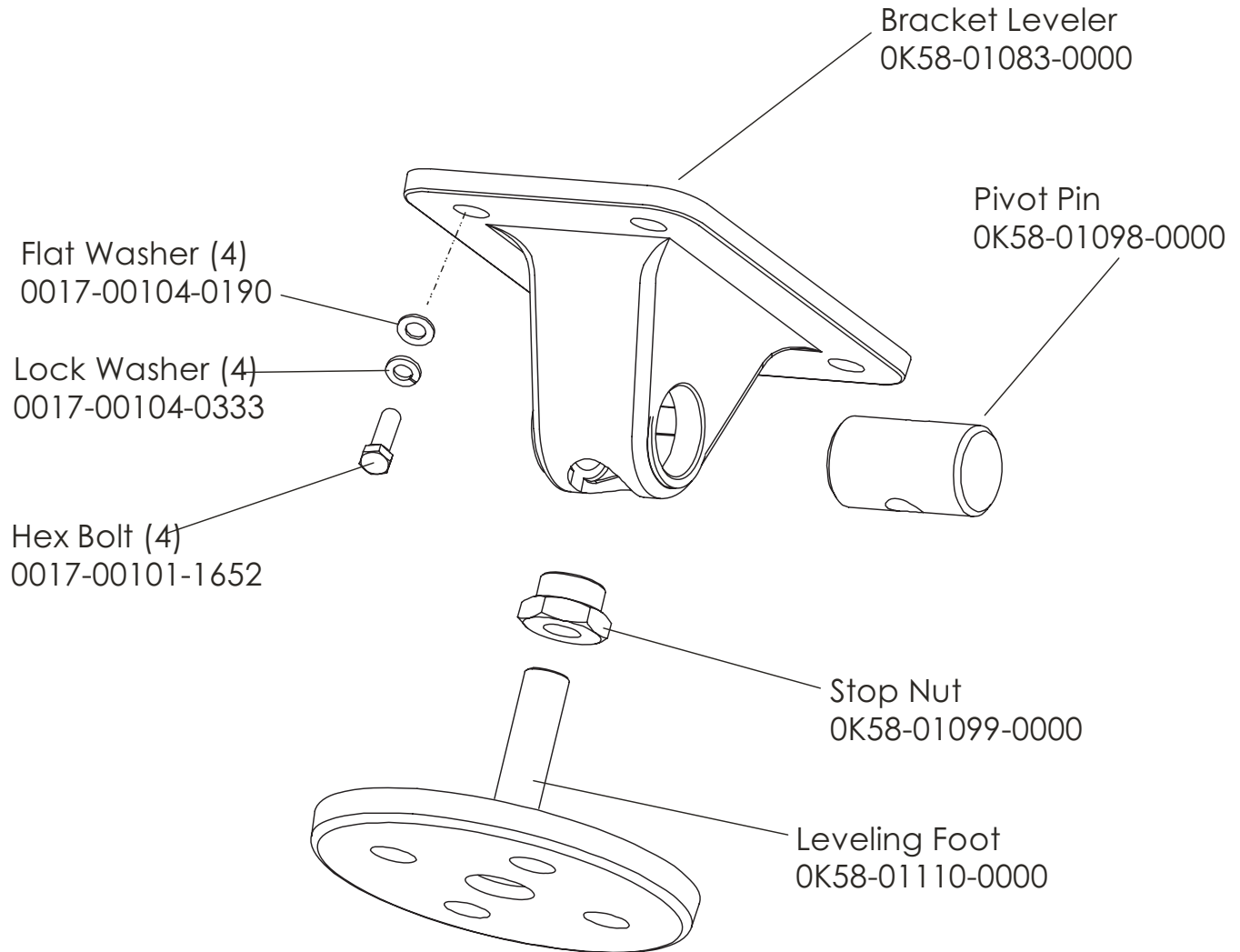


Note: key is part of the drive motor
only, not available separately.





Leveler Assembly
AK58-00370-0000



Front Roller Assembly
AK58-00066-0000

Mounting Bolt
0017-00101-0974

Flat Washer
0017-00104-0043

Polley V Pulley 8"
OK58-01105-0000

Lock Washer
0017-00104-0005

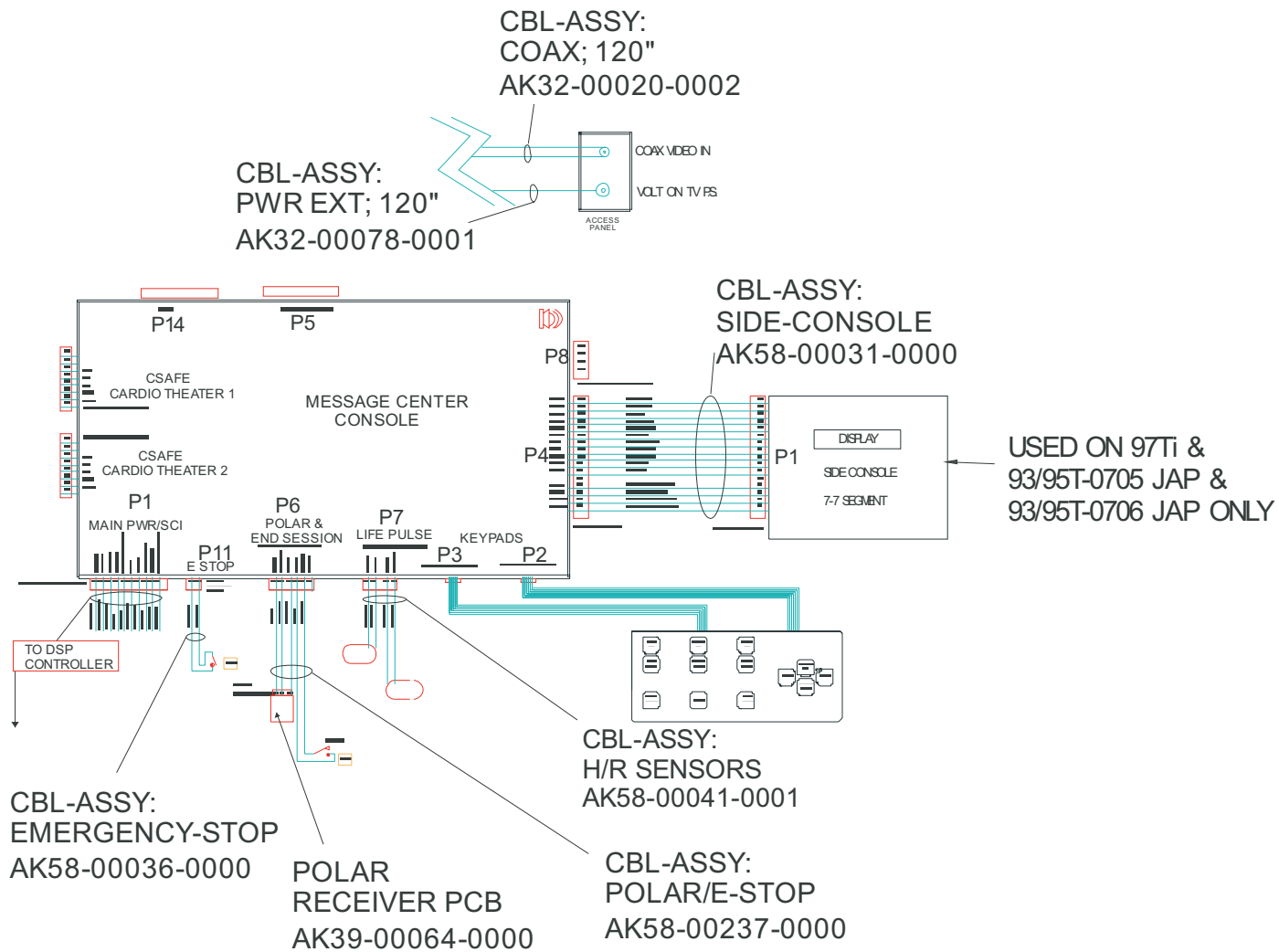
3.5" Front Roller
OK58-01001-0001

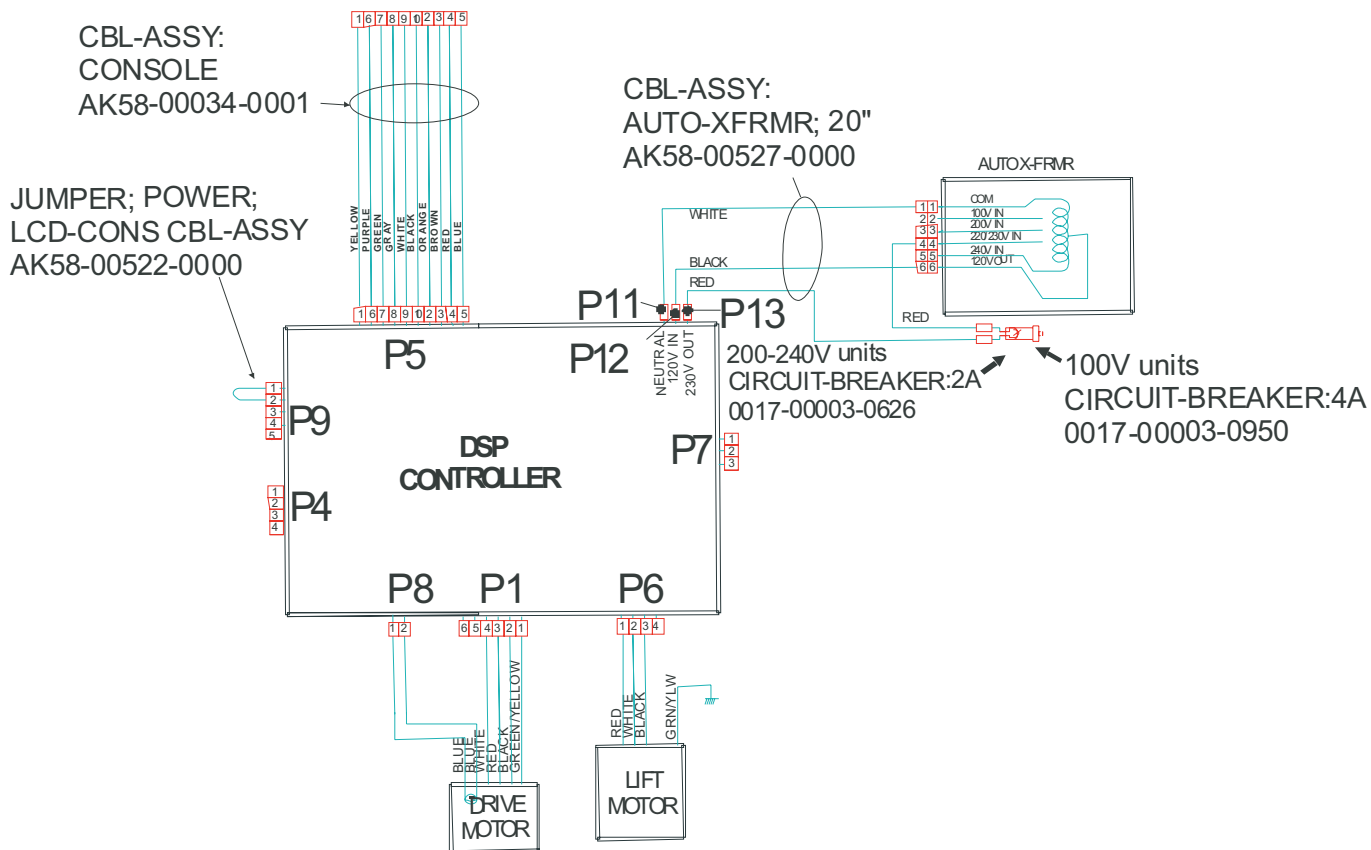
Hex Bolt
0017-00101-1632

Flat Washer
0017-00104-0330

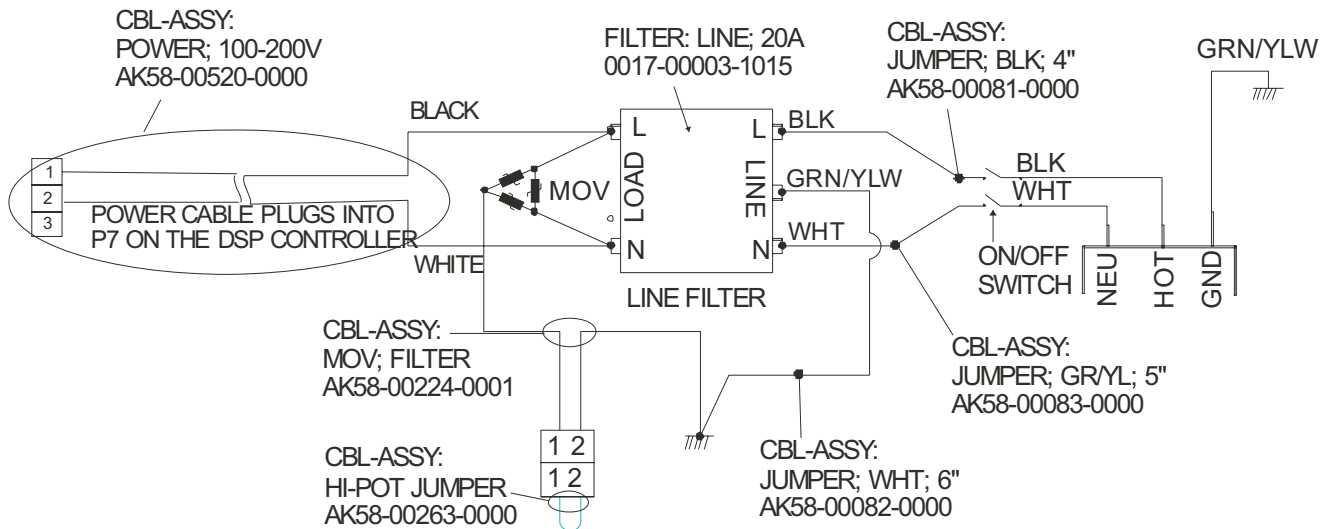
| Standard Line Cords | | |
|---------------------|-------------------------------------|--|
| Model # | Model Description | Part No. |
| CLST-0100-01RF | CLST ENG/ENG 120/60 DOM LOW VOLTAGE | 0017-00003-0974 LINE-CORD: R/A; 96"; W/RECP |

| Optional Line Cords | | |
|-----------------------------------|---------------|-----------------|
| Description | Length (feet) | Part No. |
| LINE-CORD: 120V; 20A; | 12' | 0017-00003-0947 |
| LINE-CORD: R/A 120V | 8' | 0017-00003-0915 |
| LINE-CORD: R/A; NEMA 5-20 144" | 12' | 0017-00003-0980 |
| LINE-CORD: R/A; W/PLUG 220/60 | 7.5' | 0017-00003-0981 |
| LINE-CORD: 220V; 15A; | 12' | 0017-00003-0948 |





120V DOMESTIC



200-240V ONLY

