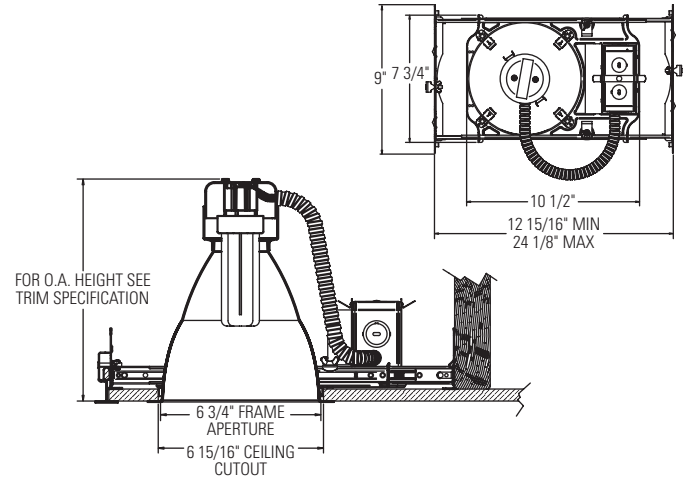
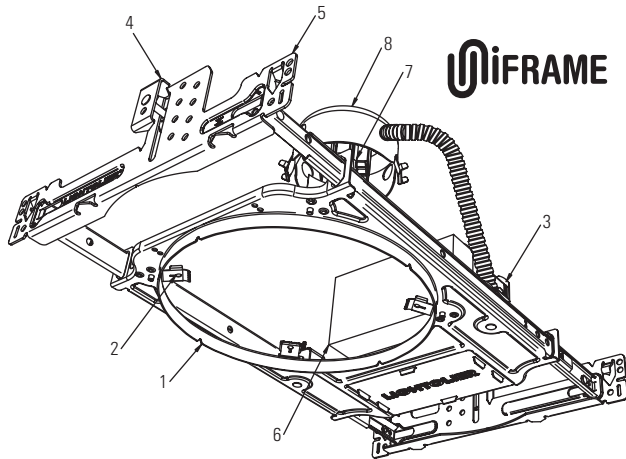


LIGHTOLIER® Performance Recessed CFL Downlighting **1101FDM**

Page 1 of 1

Lytecaster 6 3/4" Aperture, 1 Light, Compact Fluorescent, Non-IC, Dimming, Frame-In Kit



Complete Fixture consists of Frame-In Kit and Reflector Trim. Select each separately.

Uniframe™ Frame-In Kit	Uniframe™ Compact Fluorescent Performance Series Reflector Trims							
	Vertical Open	Vertical Wall Wash - Single	Vertical Wall Wash - Double	Horizontal Open	Horizontal Wall Wash - Single	Horizontal Wet Location Lensed / Diffused		Horizontal Cross Blade
1101FD2642MX1 (Advance Mark 10 - 120v)	1101CL 1101CD 1101WH	1101CLSW 1101CDSW 1101WHSW	1101CLDW 1101CDDW 1101WHDW	1101HCL 1101HCD 1101HWH	1101HCLSW 1101HCDSW 1101HWHSW	Clear Lens	Fresnel	1101HACB 1101HWHCB
1101FD2642MX2 (Advance Mark 10 - 277v)						1101HCLC	1101HCLF	
1101FD2642M7U (Advance Mark7 -120/ 277v)						1101HCDC	1101HCDF	
26w Quad/Triple GX24q-3 Base 120v – 0.26amp max 277v – 0.11amp max	Universal Series Reflector Trims (Reference Trim Spec Sheet for Recommended Lamping)							
32w Triple GX24q-3 Base 120v – 0.32amp max 277v – 0.14amp max	Performance Cone	Cone	Satin Cone	Baffle	Wall Wash	Wet Location		
42w Triple GX24q-4 Base 120v – 0.41amp max 277v – 0.18amp max	1113CFL 1113CDCFL	1112* 1113* 1113BK* 1113WH 1113CD* 1145 1146 / 1146CD 1143 1144 / 1144CD	1108* 1110*	1105* 1105BNM 1105WH 1176 1176WH	1135 1135WH 1195 1196 1196CD	1121 1124 1134 1177SH 1178SH 1190		

*Add NM suffix to catalog number for Natural Metal flange and finish.

Features

- Mounting Frame:** .036" (#20ga.) Galvanized Steel. Accommodates all ceilings up to 1-1/2" thick; including existing or inaccessible areas.
- Trim Clips:** "Push In / Twist Out" Stainless Steel clips hold reflector flush to ceiling.
- Junction Box:** 2" x 4" x 3-1/2" (22cu.in.) .032" (#22ga.) galvanized steel. UL Listed for maximum of 8 (#12ga.) through branch circuit conductors.
- Uniframe™ Mounting System – Grid Ceiling:** Tool free mounting in grid ceilings. .036" (20ga.) Galvanized Steel interlocking slide bars adjust to 24-1/8" long accommodating 24" O.C. Ceiling Grid. Adjustable speed clamps for positive attachment to grid ceiling systems.
- Uniframe™ Mounting System – Wood Joist Ceiling:** Integral nailing tabs, alignment guides, fastener holes and bendable strapping guides for wood joist installation. Galvanized Steel interlocking slide bars adjust from 12-15/16" to 24-1/8" long to accommodate 16" and 24" O.C. joist spacing, with or without strapping.
- Ballast:** 120V – 277V UL Listed Electronic Ballast, end of lamp life protection, class "P" thermally protected, class "A" sound rating.
- Socket:** Four-pin base, molded thermoplastic socket, prewired with No. 18 AWM leads to ballast.
- Socket Housing:** .036" (#20ga.) Galvanized Steel housing attaches to reflector trim by spring clip for precise optic alignment.

Labels

cULus Listed. Suitable for Damp Locations.

Accessories

1967A Extra Thick Ceiling Adapter (up to 2" thk)

Job Information	Type:
Job Name:	
Cat. No.:	
Lamp(s):	
Notes:	

631 Airport Road, Fall River, MA 02720 • (508) 679-8131 • Fax (508) 674-4710
We reserve the right to change details of design, materials and finish.
www.lightolier.com © 2008 Philips Group • E0408