

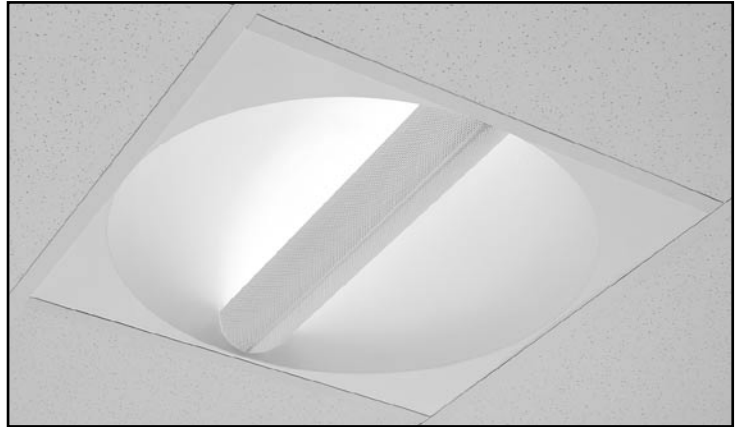
QVC2GPFOS1FT

1 x 40W

ALTER DOME

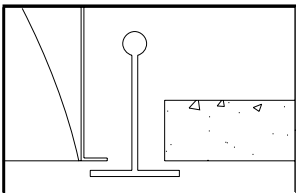
2' X 2' ROUND RECESSED DIRECT/INDIRECT FLUORESCENT
1 LAMP, TT5 BI-TUBE, 5 7/16 " DEEP
MICROPERFORATED MESH LAMP SHIELD
STATIC

- Efficiency 58.2%.
- Dual swing down microperforated lamp shields separated by luminous strip for easy relamping and maintenance.
- Alter soft white film on inside of mesh conceals lamp image providing balance between reflected and direct light.
- Fully recessed luminaire.
- No access to the ballast from below in order to maintain appearance.
- Seamless reflector without visible ballast cover or hardware.
- 95% Reflective Alter soft white paint finish.
- One piece body for easy installation.
- Fits standard T-Grid ceilings.



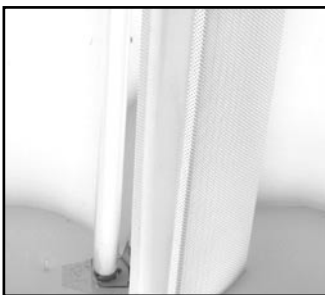
MOUNTING METHODS/FEATURES

Ceiling compatibility

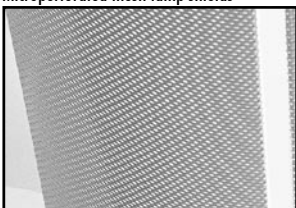


Suited to standard exposed T-grid ceilings

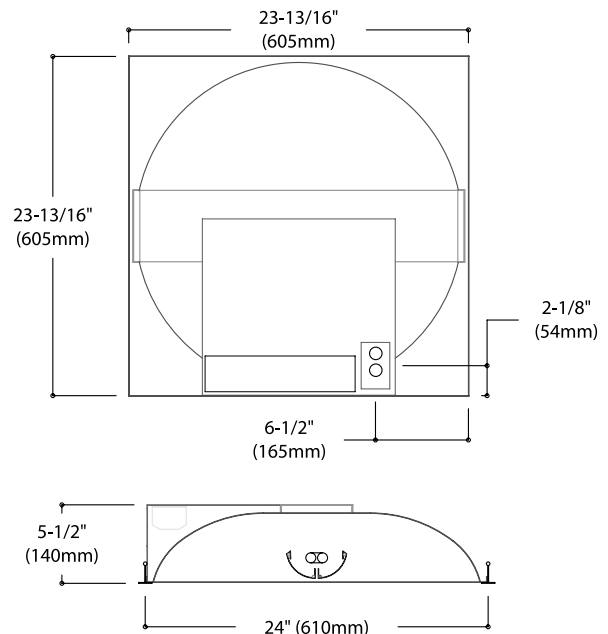
Swing down optical system for easy relamping and maintenance



Microperforated mesh lamp shields



DIMENSIONS



FIXTURE TYPE	VOLTS
JOB INFORMATION: _____	

LIGHTOLIER
Genlyte Thomas Company

QVC2GPFOS1FT

ALTER SOFT LIGHTS 2'X 2' ROUND RECESSED DIRECT/INDIRECT FLUORESCENT

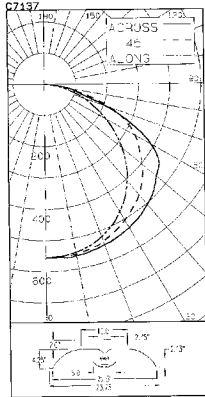


LIGHTING SCIENCES CANADA LTD.

440 Phillip St., Unit 19, Waterloo, Ont., Canada N2L 5R9
Tel: (519) 746-3140 Fax: (519) 746-3156

CERTIFIED TEST REPORT NO. LSC7137
COMPUTED BY LSC PROGRAM **TEST-LITE**

CPI ALTER 2x2 ROUND RECESSED INDIRECT FIXTURE CAT. NO. QVC2GPFOS14120SB
WITH WHITE PAINTED INTERIOR AND PERFORATED LAMP SHIELDS WITH TRANSLUCENT LENSES
ONE 40W PL-L COMPACT FLUORESCENT LAMP. LUMEN RATING = 3150 LMS.
ADVANCE 120V 1-LAMP MAGNETIC BALLAST NO. R-1B940-TP



CANDLEPOWER SUMMARY		OUTPUT LUMENS	
ANGLE ALONG	22.5	45	67.5 ACROSS
0	554	554	554
5	551	533	552
10	545	550	552
15	535	539	545
20	519	525	535
25	499	506	521
30	471	483	504
35	441	455	484
40	435	427	464
45	365	392	436
50	321	352	403
55	274	308	367
60	226	266	332
65	179	223	288
70	137	179	224
75	92	130	145
80	53	69	78
85	17	19	20
90	0	0	0

ZONAL LUMENS AND PERCENTAGES

ZONE	LUMENS	% LAMP	% LUMINAIRE
0-30	646	14.18	24.35
0-40	748	23.76	40.80
0-60	1404	44.59	75.55
0-90	1634	58.24	100.00
40-90	1086	34.48	59.20
60-90	430	13.65	23.45
90-180	0	.00	.00
0-180	1634	58.24	100.00

** EFFICIENCY = 58.2% **

LUMINANCE SUMMARY CD. / SQ. M.

ANGLE ALONG	45	ACROSS
45	2013	2411
55	1863	2502
65	1655	2652
75	1353	2190
85	739	886

PAINT REFLECTANCE = .93 8/WM = 1.4
SC(A)LONG = 1.3, SC(ACROSS) = 1.4

CERTIFIED BY: *Charles Dixon* DATE: NOV 6, 1997
PREPARED FOR: CANADIAN FLUORESCENT INDUSTRIES
CORNWALL, ONTARIO

TESTED ACCORDING TO IES PROCEDURES. TEST DISTANCE EXCEEDS FIVE TIMES THE GREATEST LUMINOUS OPENING OF LUMINAIRE.

LIGHTING SCIENCES CANADA LTD.
440 PHILLIP ST. UNIT 19
WATERLOO, ONTARIO CANADA N2L 5R9

CERTIFIED TEST REPORT NO. LSC7137
COMPUTED BY LSC PROGRAM **TEST-LITE**

CPI ALTER 2x2 ROUND RECESSED INDIRECT FIXTURE CAT. NO. QVC2GPFOS14120SB
WITH WHITE PAINTED INTERIOR AND PERFORATED LAMP SHIELDS WITH TRANSLUCENT LENSES
ONE 40W PL-L COMPACT FLUORESCENT LAMP. LUMEN RATING = 3150 LMS.
ADVANCE 120V 1-LAMP MAGNETIC BALLAST NO. R-1B940-TP

Coefficients of Utilization

ZONAL CAVITY METHOD

EFFECTIVE FLOOR CAVITY REFLECTANCE = .20

CC WALL	80			70			50			30			10			0			
	70	50	30	10	70	50	30	10	50	30	10	50	30	10					
RCR	0	.69	.69	.69	.69	.68	.68	.68	.68	.65	.65	.65	.62	.62	.62	.59	.59	.59	.58
	1	.64	.61	.59	.56	.62	.60	.57	.55	.57	.55	.54	.55	.53	.52	.53	.52	.50	.49
	2	.58	.54	.50	.46	.57	.52	.49	.46	.50	.47	.45	.48	.46	.44	.47	.45	.43	.42
	3	.53	.47	.42	.39	.51	.46	.42	.38	.44	.41	.38	.43	.40	.37	.41	.39	.36	.35
	4	.49	.42	.37	.33	.47	.41	.36	.33	.40	.35	.32	.38	.35	.32	.37	.34	.31	.30
	5	.45	.37	.32	.28	.43	.36	.31	.28	.35	.31	.28	.34	.30	.27	.33	.30	.27	.26
	6	.41	.33	.28	.24	.40	.32	.27	.24	.31	.27	.24	.30	.26	.23	.29	.26	.23	.22
	7	.37	.29	.24	.21	.36	.29	.24	.20	.28	.23	.20	.27	.23	.20	.26	.23	.20	.19
	8	.35	.27	.22	.18	.34	.26	.21	.18	.25	.21	.18	.25	.21	.18	.24	.20	.18	.16
	9	.32	.24	.19	.16	.31	.24	.19	.16	.23	.19	.16	.22	.18	.16	.22	.18	.15	.14
	10	.30	.22	.17	.14	.29	.21	.17	.14	.21	.17	.14	.20	.16	.14	.20	.16	.14	.13

DETERMINED IN ACCORDANCE WITH CURRENT IES PUBLISHED PROCEDURES
LUMINAIRE INPUT WATTS = 47.3
LABORATORY RESULT MAY NOT BE REPRESENTATIVE OF FIELD PERFORMANCE.
BALLAST FACTORS HAVE NOT BEEN APPLIED.

ORDERING INFORMATION Explanation of Catalogue Number Example: QVC2GPFOS1FT120SB

QVC ALTER DOME Recessed direct indirect soft light optical system	2 FIXTURE WIDTH 2'	G CEILING TYPE Standard exposed T-grid ceilings	PF LAMP SHIELD PF = Microperforated	OS OS = Open slot (no acrylic)	1 LAMP QUANTITY	FT LAMP/FIXTURE LENGTH (NOMINAL 24") FT = TT5 Bi-Tube	120 VOLTAGE 120, 277 347	SB BALLAST BE = 50W Electronic TT5 RS BR = 40W Electronic TT5 RS BX = 40W Magnetic TT5 RS PB = 40W TT5 PowerSpec Dimming* PC = 50/55W TT5 PowerSpec Dimming* SB = 40W Generic Electronic TT5	Options R = Radio Interference Filter
--	------------------------------------	--	---	--	------------------------------	---	--	--	--

*Not available in 347V.

SPECIFICATIONS

MATERIALS: One piece chassis constructed from die formed 20 gauge cold rolled steel. **Reflectors** - 95% reflectance baked white acrylic matte paint finish. Soft white acrylic film on inside of lamp shield conceals lamp image.

FINISH: Chassis exterior - phosphate undercoating, baked white acrylic matte high reflectance paint finish.

ELECTRICAL: Rapid start HPF, thermally protected class "P" ballast (Bi-tube type). If K.Os are within 3" of ballast use wire suitable for at least 90C.

LABELS: Listed by CSA, UL

We reserve the right to change, materials and finish in any way that will not alter installed appearance or reduce function and performance.

631 Airport Road, Fall River, MA 02720 - Tel. (508) 679-8131
C.F.I. Division of Canlyte, Inc.
525 Education Road, Cornwall, Ontario
Canada K6H 6C7 - (613) 938-6221

Genlyte Thomas Company