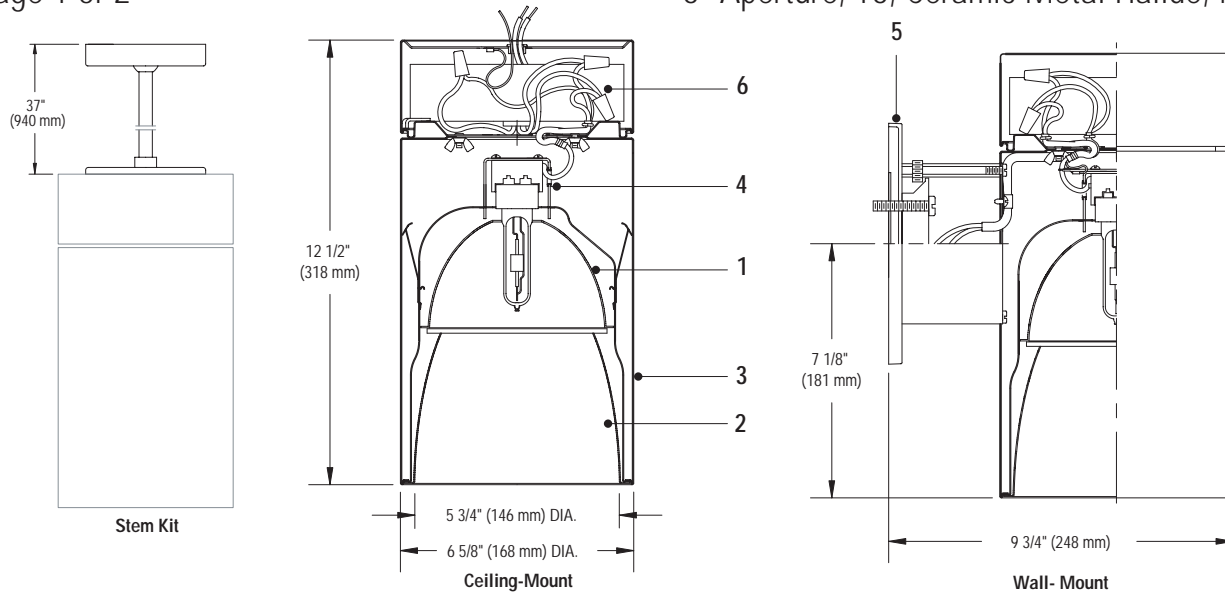


Calculite® HID Surface Cylinder **C6CS-C6T6VM**

Page 1 of 2

6" Aperture, T6, Ceramic Metal Halide, Medium Beam



Reflector Trim		Cylinder Housing		Lamp		
C6T6VM	CL	Specular Clear, Minimal Flange.	Ceiling-Mount	Wall-Mount		
	CCD	Comfort Clear Diffuse, Minimal Flange.	C6CS39T6E1	C6CW39T6E1	Electronic 120V	39W T6 Ceramic MH
	CCZ	Champagne Bronze, Minimal Flange.	C6CS39T6E2	C6CW39T6E2	Electronic 277V	39W T6 Ceramic MH
			C6CS70T6E1	C6CW70T6E1	Electronic 120V	70W T6 Ceramic MH
			C6CS70T6E2	C6CW70T6E2	Electronic 277V	70W T6 Ceramic MH

Features

- Upper Reflector:** Clear anodized aluminum, 0.040" (16-ga.). Provides medium beam optics. Also available in narrow and wide beam, see specification sheets C6CS-C6T6VN and C6CS-C6T6VW.
- Aperture Cone:** Low brightness with 50° cut-off to lamp and lamp image. anodized aluminum, minimal flange. Supports captive lamp shield. Cone is removable for relamping.
- Cylinder Housing:** Two-piece, white baked enamel seamless aluminum.
- Socket Housing:** Galvanized steel, pre-wired with G12 pulse rated socket. Snaps onto upper reflector for secure attachment without tools; assures proper lamp alignment to optics for consistent performance.
- Wall Mount Back Plate:** Cast aluminum, suitable for mounting over 4" octagon outlet box.
- Electronic Ballast:** 120V or 277V. Encased, high power factor, T.H.D. <15%, thermally and transient protected, RMI/RFI complies with FCC Part 18 non-consumer limits, shut-down circuit at end of lamp life, sound rating "A", -5° F minimum starting temperature, Type 1 outdoor rating.

Ballast	ANSI Code	Voltage	Max. Amps	Input Watts
39W MH	M130	120/277	0.39/0.17	44
70W MH	M139	120/277	0.67/0.29	78

Options and Accessories

- C4CSW:** Stem Kit – White (45° Swivel, 37" Long)
 Provided with 5/8" dia. Stem and 5 1/2" Canopy.
 Self-aligning swivel provides max. 45° vertical tilting.
 Installs over 4" octagonal outlet box.
 Stem can be cut to length on site.

Labels

UL (Suitable for Wet Locations), CSA, I.B.E.W.

Job Information

Type:

Job Name:

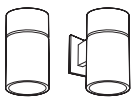
Cat. No.:

Lamp(s):

Notes:

Lightolier a Genlyte Thomas Company www.lightolier.com
 631 Airport Road, Fall River, MA 02720 • (508) 679-8131 • Fax (508) 674-4710
 We reserve the right to change details of design, materials and finish.
 © 2004 Genlyte Thomas Group LLC (Lightolier Division) • A0504

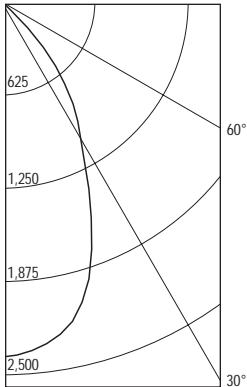
LIGHTOLIER®



Calculite® HID Surface Cylinder **C6CS-C6T6VM**

39W T6 PHILIPS CERAMIC MH LAMP, LUMEN RATING = 3400 LMS, AROMAT ELECTRONIC BALLAST, CL FINISH TRIM

CANDLEPOWER DISTRIBUTION



ANGLE	MEAN CP	LUMENS
0	2382	
5	2347	223
10	2265	
15	2086	581
20	1766	
25	1385	648
30	1062	
35	836	518
40	566	
45	248	209
50	20	
55	3	6
60	0	
65	0	0
70	0	
75	0	0
80	0	
85	0	0
90	0	

LUMINANCE SUMMARY CD. / SQ. M.	
ANGLE	MEAN CD/SQ M
45	21039
55	301
65	5
75	19
85	0

ZONAL LUMENS AND PERCENTAGES			
ZONE	LUMENS	% LAMP	%LUMINAIRE
0-30	1452	42.71	66.44
0-40	1970	57.94	90.14
0-60	2185	64.28	99.99
0-90	2185	64.28	100
40-90	215	6.34	9.86
60-90	0	0	0.01
90-180	0	0	0
0-180	2185	64.28	100

Coefficients of Utilization

CEILING	80%				70%		50%		30%		0
	70	50	30	10	50	10	50	10	50	10	
WALL	Zonal Cavity Method - Effective Floor Cavity Reflectance = 20%										
RCR	Zonal Cavity Method - Effective Floor Cavity Reflectance = 20%										
0	.77	.77	.77	.77	.75	.75	.72	.72	.69	.69	.64
1	.74	.72	.71	.69	.71	.68	.68	.66	.66	.64	.61
2	.71	.68	.66	.64	.67	.63	.65	.62	.63	.61	.58
3	.68	.64	.61	.59	.63	.59	.62	.58	.60	.57	.55
4	.65	.61	.58	.55	.60	.55	.59	.54	.57	.54	.52
5	.62	.57	.54	.52	.57	.51	.56	.51	.55	.50	.49
6	.59	.54	.51	.49	.54	.48	.53	.48	.52	.48	.47
7	.56	.51	.48	.45	.51	.45	.50	.45	.49	.45	.44
8	.54	.48	.45	.42	.48	.42	.47	.42	.47	.42	.41
9	.51	.46	.42	.40	.45	.40	.45	.39	.44	.39	.38
10	.49	.43	.39	.37	.43	.37	.42	.37	.42	.37	.36

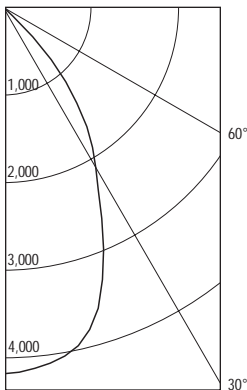
LUMINAIRE INPUT WATTS = 44

** EFFICIENCY = 64.3% **
SC = 0.9

CERTIFIED TEST REPORT NO. 2337FR, DATE: OCT 24, 2003
COMPUTED BY LSI PROGRAM **TEST-LITE**

70W T6 PHILIPS CERAMIC MH LAMP, LUMEN RATING = 6600 LMS, AROMAT ELECTRONIC BALLAST, CL FINISH TRIM

CANDLEPOWER DISTRIBUTION



ANGLE	MEAN CP	LUMENS
0	4188	
5	4141	394
10	4047	
15	3813	1062
20	3312	
25	2664	1244
30	2115	
35	1667	1031
40	1114	
45	479	408
50	32	
55	3	8
60	0	
65	0	0
70	0	
75	0	0
80	0	
85	0	0
90	0	

LUMINANCE SUMMARY CD. / SQ. M.	
ANGLE	MEAN CD/SQ M
45	40627
55	293
65	0
75	0
85	0

ZONAL LUMENS AND PERCENTAGES			
ZONE	LUMENS	% LAMP	%LUMINAIRE
0-30	2700	40.92	65.12
0-40	3731	56.53	89.97
0-60	4147	62.84	100
0-90	4147	62.84	100
40-90	416	6.3	10.03
60-90	0	0	0
90-180	0	0	0
0-180	4147	62.84	100

Coefficients of Utilization

CEILING	80%				70%		50%		30%		0
	70	50	30	10	50	10	50	10	50	10	
WALL	Zonal Cavity Method - Effective Floor Cavity Reflectance = 20%										
RCR	Zonal Cavity Method - Effective Floor Cavity Reflectance = 20%										
0	.76	.76	.76	.76	.74	.74	.70	.70	.67	.67	.63
1	.72	.71	.69	.68	.70	.67	.67	.65	.65	.63	.60
2	.69	.67	.65	.62	.66	.62	.63	.60	.62	.59	.57
3	.66	.63	.60	.58	.62	.57	.60	.57	.59	.56	.54
4	.64	.59	.56	.54	.59	.54	.57	.53	.56	.52	.51
5	.61	.56	.53	.50	.55	.50	.54	.50	.53	.49	.48
6	.58	.53	.50	.47	.52	.47	.51	.47	.51	.46	.45
7	.55	.50	.46	.44	.49	.44	.49	.44	.48	.43	.42
8	.53	.47	.43	.41	.46	.41	.46	.41	.45	.41	.40
9	.50	.44	.41	.38	.44	.38	.43	.38	.43	.38	.37
10	.47	.41	.38	.36	.41	.36	.41	.35	.40	.35	.34

LUMINAIRE INPUT WATTS = 78

** EFFICIENCY = 62.8% **
SC = 0.9

CERTIFIED TEST REPORT NO. 2335FR, DATE: OCT 14, 2003
COMPUTED BY LSI PROGRAM **TEST-LITE**

LIGHTOLIER®

Job Information Type: