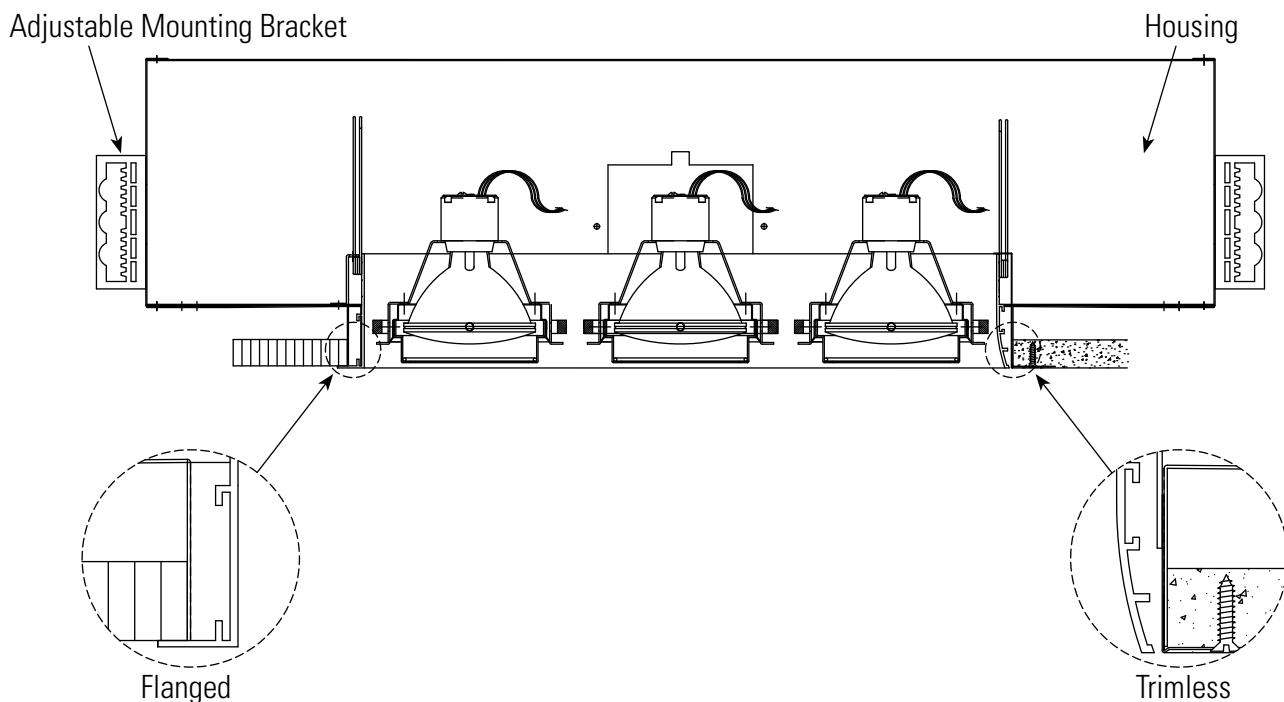


READ AND UNDERSTAND THESE INSTRUCTIONS BEFORE PROCEEDING.  
RETAIN THESE INSTRUCTIONS FOR MAINTENANCE REFERENCE.

This fixture is intended for installation in accordance with the National Electrical Code and local regulations. To assure full compliance with local codes and regulations, check with your local electrical inspector before installation. To prevent electrical shock, turn off electricity at electrical panel before proceeding.

DO NOT INSTALL THIS SYSTEM IN A WET LOCATION.  
CONTRACTOR IS RESPONSIBLE FOR ADEQUATELY REINFORCING CEILING TO SUPPORT FIXTURE WEIGHT.



**Warning for All Fixtures**

Use only aperture frames and accessories provided by Lightolier Inc. Use of other manufacturers' aperture frames and accessories voids the Underwriters Laboratories Listing and could constitute a fire hazard.

**Caution: Risk of Fire**

Use proper lamp wattages with corresponding ballast wattages. Check ballast module wattage label to confirm wattage.

**Caution: Risk of Burn**

Allow time for luminaire to cool before attempting to relamp or position.

**Caution: Risk of Burn and Electrical Shock**

Turn off power to Ballast Module before servicing. All PowerArc Modular Ballasts are equipped with a power switch. Depressing Dot on Switch is the "ON" position. (See IS:83B)

**Note:**

1. Low voltage fixtures may produce audible sound when used with dimmers, which maybe objectionable in acoustically critical areas.
2. For HID Fixtures - HID lamps require a warm-up period of 5-10 minutes to reach full output. Additionally, when these lamps are extinguished they must cool for 5-15 minutes before they will relight. Outage can be caused by momentary power failure, substantial voltage reduction or cycle changes.

**Warning for MR16 Fixtures Only**

Lamp manufacturers require the glass lamp guard be in place before energizing lamp, and that great care must be taken that lamp is fully cooled before relamping. Avoid finger marks on inside of lamp for they may cause short lamp life and possible breakage.

**Warning for T4 and T6 Fixtures Only (Risk of Fire)**

Do not install insulation within 3" (7.62cm) of fixture sides or wiring compartment, nor above fixture in such a manner so as to entrap heat.

**Caution**

If used improperly, these lamps can cause serious skin burn and eye inflammation from shortwave ultra violet radiation. Do not operate luminaire without protective lens in place.

**Note:** Install lamps using protective paper and do not remove the protective paper until lamp is installed in socket. If lamp is touched with bare hands, clean lamp with denatured alcohol and wipe with lint free cloth.

**MARKED SPACING INSTRUCTIONS FOR T4 AND T6**

*Note: For any PB fixtures other than T4 and T6 skip to page 4 - Frame-In and Wire*

All T4 and T6 luminaires are limited to their respective placement and location to each other and building members. Follow these guidelines in order to determine the placement of luminaires.

**For T4**

- A. Install with minimum spacings between
- B. Center-to-center of adjacent luminaires: 5' (152.40cm) on center.
- C. Top of luminaire to overhead building member: 1/2" (1.27cm) to overhead.
- D. Luminaire center to side building member: 2-1/2' (62.23cm) to side of building member.

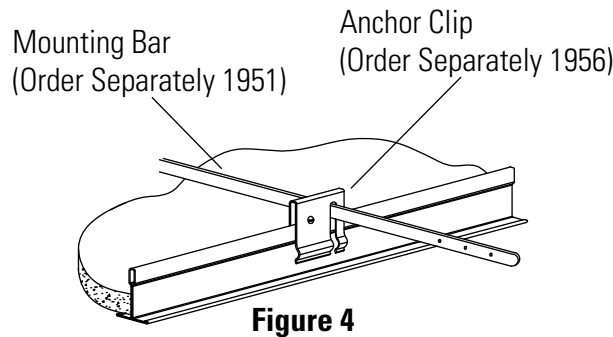
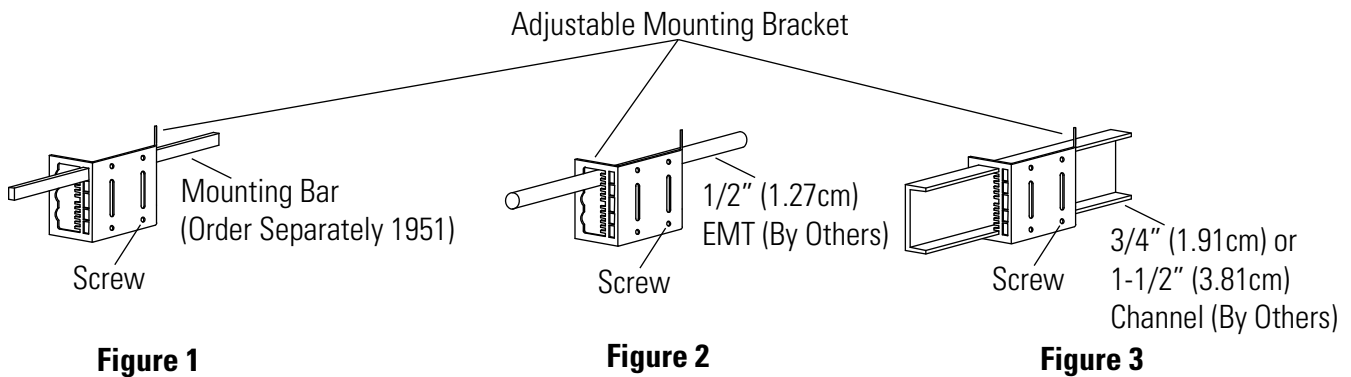
**For T6**

- A. Install with minimum spacings between
- B. Center-to-center of adjacent luminaires: 6' (182.88cm) on center.
- C. Top of luminaire to overhead building member: 1/2" (1.27cm) to overhead.
- D. Luminaire center to side building member: 3' (91.44cm) to side of building member.

**FRAME-IN AND WIRE**

**Step 1. Install Housing using Adjustable Mounting Brackets**

- A. Fixture must be secured to structural ceiling members. If no ceiling access available, fixtures must be installed before ceiling material.
- B. With Mounting Bar (Lightolier Cat. No. 1951) use rectangular slots. (Fig. 1)
- C. With 1/2" (1.27cm) EMT (by others). (Fig. 2)
- D. With 3/4" (1.91cm) or 1-1/2" (3.81cm) Channel (by others). (Fig. 3)
- E. For Suspended T-Bar Ceilings, use Lightolier Cat. No. 1956 to secure 1951 Mounting Bars to ceiling runners. (Fig. 4)
- F. To install with hanging wires (by others), consult installation from hanging wire manufacturer.



**Step 2. Connect Supply Leads**

White fixture lead to neutral (white) supply, black fixture lead to hot supply lead, bare fixture wire to supply ground. Use wire nuts for all connections (local hardware items).

**Step 3.**

Place all electrical connections in J-Box attached to side of fixture.

**Step 4.**

Attach J-Box Cover onto J-Box attached to side of fixture.

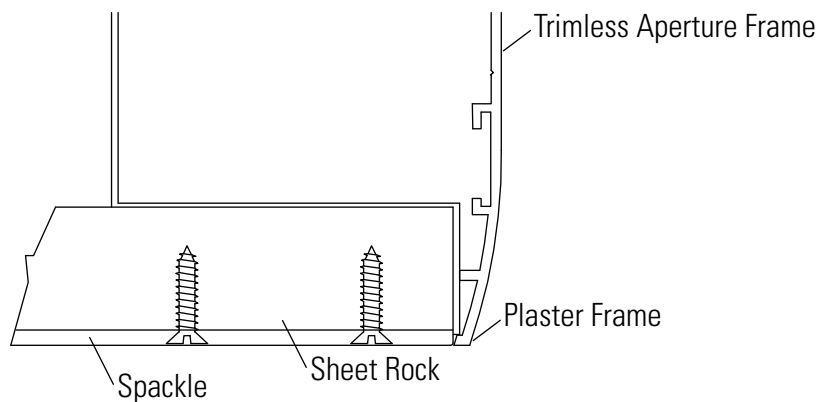
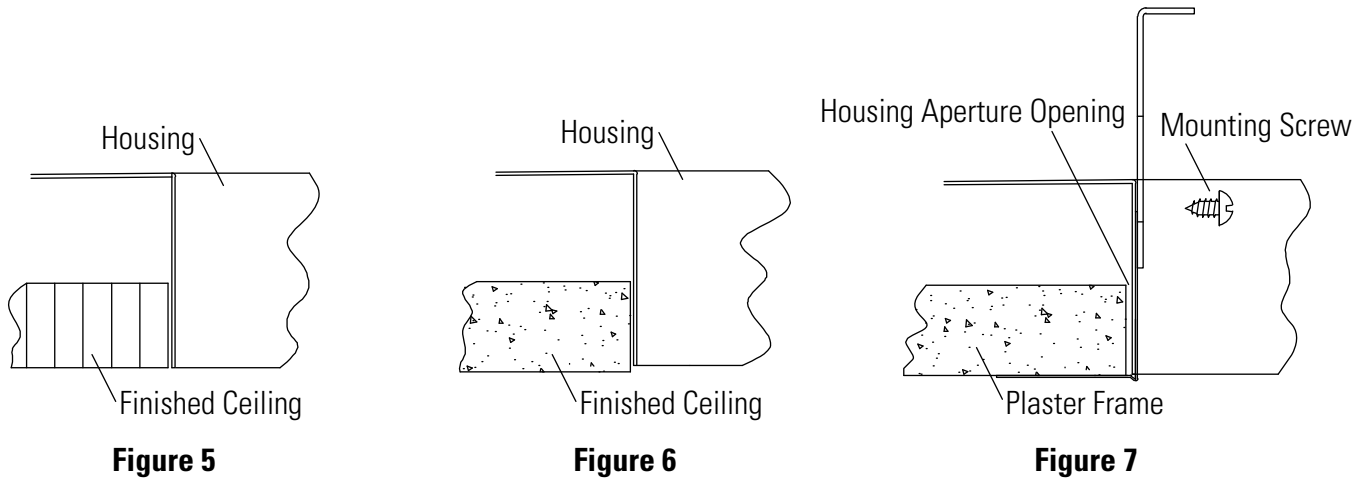
## ADJUST HOUSING

### Flanged Aperture Frame

Adjust Housing at Mounting Brackets so that bottom edge is flush with finished ceiling as shown. (Fig. 5)

### Trimless Aperture Frame

- A. Adjust Housing so bottom edge is flush with or above Finished Ceiling. (Fig. 6)
- B. Insert Plaster Frame into Housing Aperture Opening and secure with (6) mounting screws while pushing Plaster Frame against ceiling. (Fig. 7)
- C. Screw Plaster Frame to ceiling and spackle to edge of plaster frame. (Fig. 8)



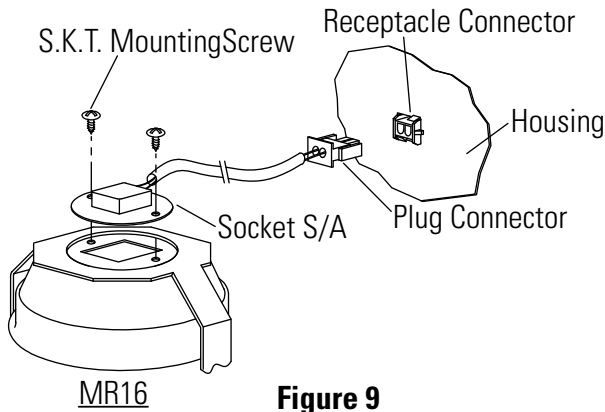
**Figure 8**

**INSTALL APERTURE FRAME**

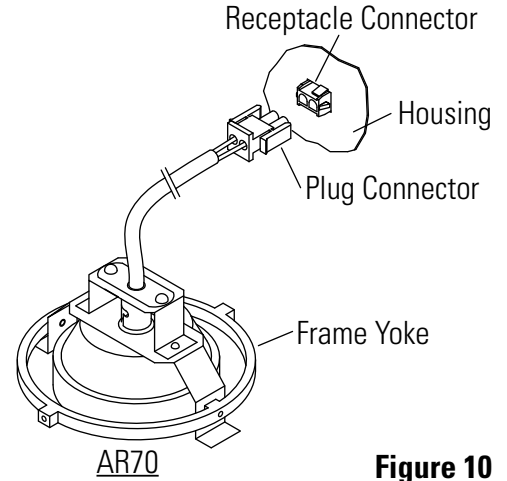
**Step 1. Aperture Frame Installation for All PB Fixtures**

A. MR16, AR70 and AR111

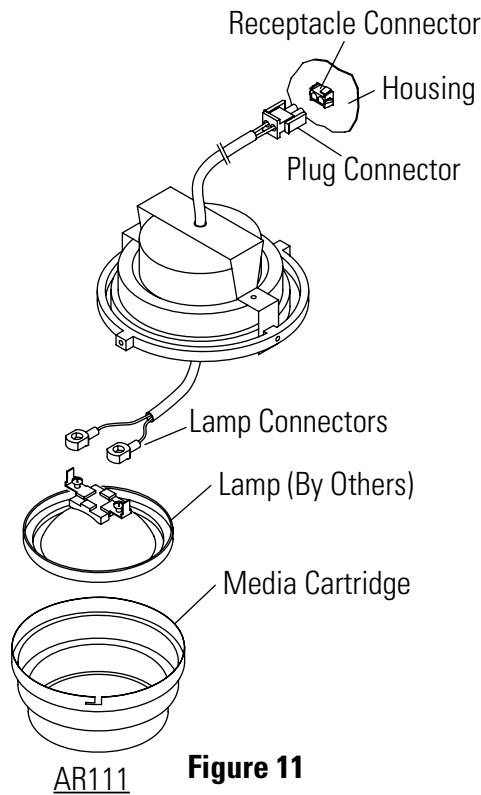
- a. Insert Plug Connectors from sockets into receptacles on inside wall of housing.
- b. Connectors are polarized and therefore may only be inserted in one direction.
- c. Make sure connectors snap firmly into space. (Fig. 9-11)



**Figure 9**



**Figure 10**



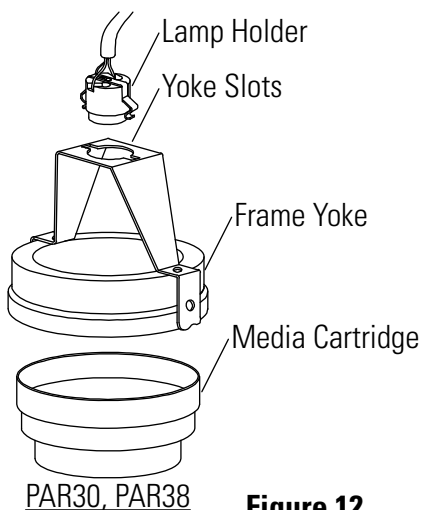
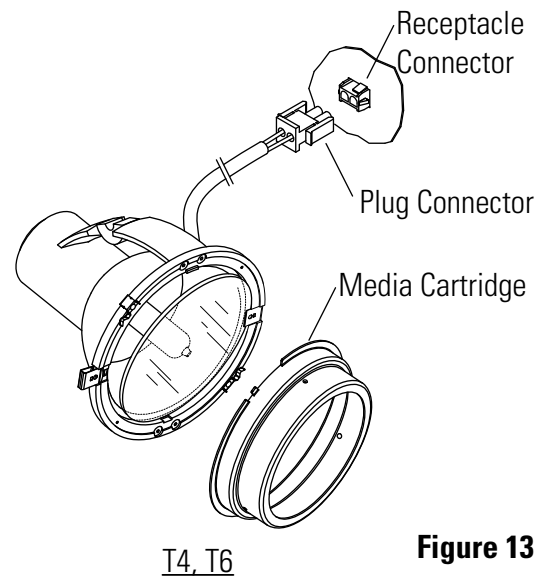
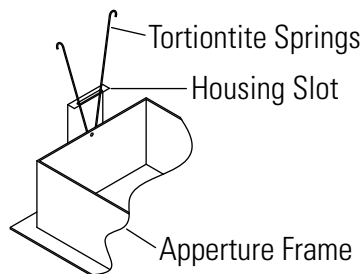
**Figure 11**

**INSTALL APERTURE FRAME (CONT'D)**

- B. PAR30/PAR38
  - a. Insert Lampholder into holes in Frame Yokes
  - b. Make sure socket springs engage slots in yoke. (Fig. 12)
  
- C. T4 and T6
  - a. Insert Plug Connectors from sockets into Receptacles on inside wall of housing.
  - b. Connectors are polarized and therefore may only be inserted in one direction.
  - c. Make sure connectors are snapped firmly into place. (Fig. 13)

**Step 2.**

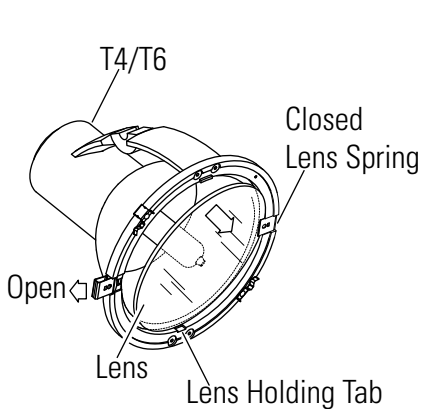
- A. Hook tortiontite Springs into slots of housing.
- B. Push Aperture Frame upward. (Fig. 14)

**Figure 12****Figure 13****Figure 14**

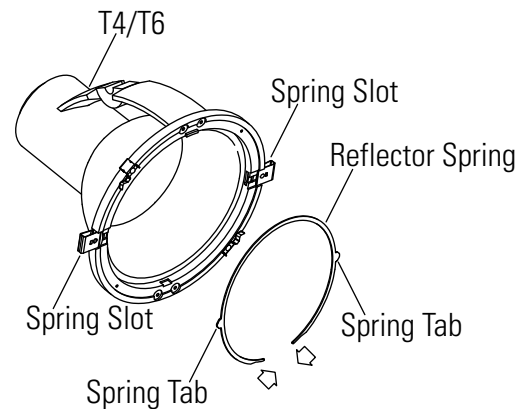
**T4 AND T6 REFLECTORS INSTALLATION**

*Note: For any PB fixtures other than T4 and T6 skip to page 9 - Install Lamp and Accessories*

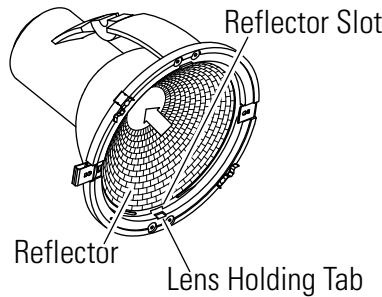
- Step 1.** Support Lens and slide only the most convenient Lens Spring into open position.
- Step 2.** Depressing spring until Spring Tabs and removed from Spring Slots. (Fig. 16)
- Step 3.** Align Reflector Slot with the Lens Holding Tab and install Reflector. (Fig. 17)
- Step 4.** Reinsert Reflector Spring Tabs into Spring Slots on track head and same way it was removed in step 2.



**Figure 15**



**Figure 16**



**Figure 17**

Luminaires		Compatible Reflectors	
Cat. No.	Description	Cat. No.	Description
PB1T4	ProSpec Linear 1L	MHT4RS	T4 Spot
PB2T4	ProSpec Linear 2L	MHT4RNF	T4 Narrow Flood
PB3T4	ProSpec Linear 3L	MHT4RF	T4 Flood
PB4T4	ProSpec Linear 4L		
PB1T6	ProSpec Linear 1L	MHT6RS	T6 Spot
PB2T6	ProSpec Linear 2L	MHT6RNF	T6 Narrow Flood
PB3T6	ProSpec Linear 3L	MHT6RF	T6 Flood
PB4T6	ProSpec Linear 4L		

631 Airport Road, Fall River, MA 02720 • (508) 679-8131 • Fax (508) 674-4710  
 We reserve the right to change details of design, materials and finish.  
 www.lightolier.com © 2008 Philips Group • B0908



**INSTALL LAMP AND ACCESSORIES**

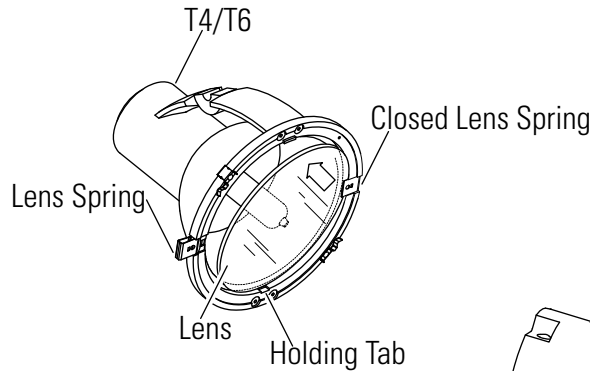
*Note: Only PAR30 short neck will fit PAR30 incandescent series*

**Step 1.** Remove Media Cartridge with counter-clockwise motion.

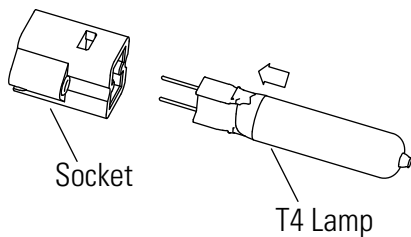
**Step 2. Install Lamp**

**A. T4 and T5 Lamp Installation**

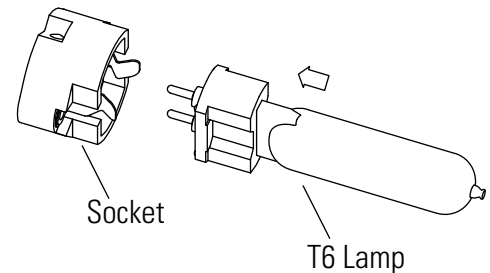
- a. Install T4 and T6 into socket. (Fig. 19 & 20)
- b. Reinsert Lens by placing it behind Closed Lens Spring then position it into opening. Slide Lens Spring into closed position. (Fig. 21)
- c. Add up to a maximum of two accessories to Media Cartridge by removing Retaining Ring inside Media Cartridge.
- d. Install Media Cartridge by aligning open slots of Media Cartridge to Holding Springs and turn Cartridge clockwise.



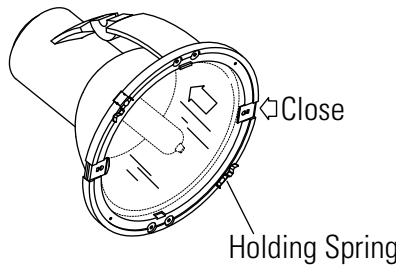
**Figure 18**



**Figure 19**



**Figure 20**



**Figure 21**

**B. Other PB Lamp Fixtures**

- a. Install lamp per fixture markings.
- b. Install one accessories into media cartridge and secure with spring.
- c. For MR16 use glass accessory.
- d. Install Media Cartridge onto Adjustable Ring.

631 Airport Road, Fall River, MA 02720 • (508) 679-8131 • Fax (508) 674-4710  
 We reserve the right to change details of design, materials and finish.  
 www.lightolier.com © 2008 Philips Group • B0908

Cat. No.	Aperture Housing Opening		Electrical Ratings
	Length	Width	Input Amps
PB1M16	5" (12.70cm)	5" (12.70cm)	.75
PB2M16	10" (25.40cm)	5" (12.70cm)	1.5
PB3M16	15" (38.10cm)	5" (12.70cm)	2.25
PB4M16	20" (50.80cm)	5" (12.70cm)	3
PB1A70	5" (12.70cm)	5" (12.70cm)	.5
PB2A70	10" (25.40cm)	5" (12.70cm)	1
PB3A70	15" (38.10cm)	5" (12.70cm)	1.5
PB4A70	20" (50.80cm)	5" (12.70cm)	2
PB1A11	7" (17.78cm)	7" (17.78cm)	.75
PB2A11	14" (35.56cm)	7" (17.78cm)	1.5
PB3A11	21" (53.34cm)	7" (17.78cm)	2.25
PB4A11	28" (71.12cm)	7" (17.78cm)	3
PB1P30/H30	6" (15.24cm)	6" (15.24cm)	.37
PB2P30/H30	12" (30.48cm)	6" (15.24cm)	.75
PB3P30/H30	18" (45.72cm)	6" (15.24cm)	1.15
PB4P30/H30	24" (60.96cm)	6" (15.24cm)	1.5
PB1P38/H38	7" (17.78cm)	7" (17.78cm)	.67
PB2P38/H38	14" (35.56cm)	7" (17.78cm)	1.34
PB3P38/H38	21" (53.34cm)	7" (17.78cm)	2.01
PB4P38/H38	28" (71.12cm)	7" (17.78cm)	2.68
PB1T420	6-1/8" (15.56cm)	6-1/8" (15.56cm)	0.37
PB2T420	13" (33.02cm)	6-1/8" (15.56cm)	0.40
PB3T420	19-1/2" (49.53cm)	6-1/8" (15.56cm)	0.60
PB4T420	26" (66.04cm)	6-1/8" (15.56cm)	0.80
PB1T439	6-1/8" (15.56cm)	6-1/8" (15.56cm)	0.75
PB2T439	13" (33.02cm)	6-1/8" (15.56cm)	0.78
PB3T439	19-1/2" (49.53cm)	6-1/8" (15.56cm)	1.17
PB4T439	26" (66.04cm)	6-1/8" (15.56cm)	1.56
PB1T470	6-1/8" (15.56cm)	6-1/8" (15.56cm)	0.67
PB2T470	13" (33.02cm)	6-1/8" (15.56cm)	1.34
PB3T470	19-1/2" (49.53cm)	6-1/8" (15.56cm)	2.01
PB4T470	26" (66.04cm)	6-1/8" (15.56cm)	2.68
PB1T639	7-1/8" (18.10cm)	7-1/8" (18.10cm)	0.78
PB2T639	15" (38.10cm)	7-1/8" (18.10cm)	0.78
PB3T639	22-1/2" (57.15cm)	7-1/8" (18.10cm)	1.17
PB4T639	30" (76.20cm)	7-1/8" (18.10cm)	1.56
PB1T670	7-1/8" (18.10cm)	7-1/8" (18.10cm)	0.67
PB2T670	15" (38.10cm)	7-1/8" (18.10cm)	1.34
PB3T670	22-1/2" (57.15cm)	7-1/8" (18.10cm)	2.01
PB4T670	30" (76.20cm)	7-1/8" (18.10cm)	2.68

**CAUTION:** Turn power off before lamping fixture. Wait until fixture is cool before touching.

631 Airport Road, Fall River, MA 02720 • (508) 679-8131 • Fax (508) 674-4710  
 We reserve the right to change details of design, materials and finish.  
 www.lightolier.com © 2008 Philips Group • B0908

## ADJUSTING AND LOCKING OF AIMING ANGLE

Insert 7/64" allen key into cap screw and turn counter-clockwise to unlock head and gimbel ring assembly. Aim beam angle of lamp towards desired direction and turn cap screw clockwise to lock.



Head and gimbel ring assembly

### Widthwise Locking

Insert allen key into opening of lever and gently move allen key in a counter-clockwise arc to unlock lengthwise aiming direction.

Aim beam angle towards desired direction and gently move lever in clockwise direction to lock aiming angle.



Locking Pin

### Lengthwise Locking