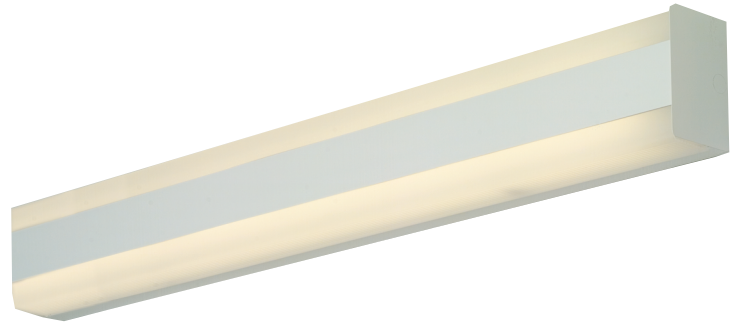


# Wall Mounted Fluorescent Dorm Lyte

Page 1 of 2

6" Width, 48" Nominal Length  
1 or 2 Lamp T5 or T8

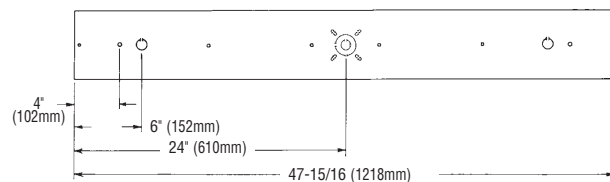
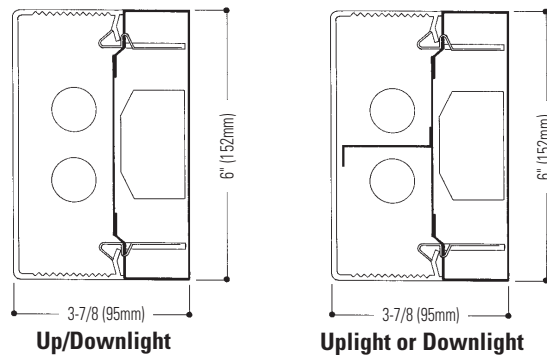
- For dorms, nursing homes, assisted living, health care facilities, or other over bed or wall mounted applications.
- Up and downlight, 1 or 2 lamp.
- Separate lamp compartments for controlled uplight and downlight.
- 1/8" thick DR acrylic lens.
  - Unique co-extension.
  - White opaque center.
  - Frosted white front sections for subtle glow.
  - Linear prisms to spread up/downlight.
- Only 3-7/8" deep, meets American With Disabilities Act for wall mounted fixtures.
- Concealed pull-action spring-loaded latches to retain lens.
- 20 gauge cold rolled steel post painted baked white enamel end caps.
- Nominal 4' length.
- Four-way pull switch, (120 volt only) optional.
- Optional low voltage electronic sequential switch for push button control of up/down lighting. UL 544 listed. Includes phone jack type receptacle.



## Features



## Dimensions



### Job Information

### Type:

**Job Name:**

**Cat. No.:**

**Lamp(s):**

**Volts/Ballast:**

Lightolier a Genlyte company [www.lightolier.com](http://www.lightolier.com)  
 Technical Information: (978) 657-7600 • Fax (978) 658-0595  
 631 Airport Road, Fall River, MA 02720 • (508) 679-8131 • Fax (508) 674-4710  
 We reserve the right to change details of design, materials and finish.  
 © 2006 a Genlyte company **Section 4A/Folio 160-10**



# Wall Mounted Fluorescent Dorm Lyte

## Model No. DL4X232120SO

LER = FP - 58.6 IW - 53.1 BF - 0.88  
Comparative yearly lighting energy cost per 1000 lumens = \$4.10

Report Number: G2006054  
Lamp: F32T8  
Luminaire: Up/down Wall Mounted with Two Color Co-extruded Lens  
Ballast: B232IUNVHP-B  
Report is based on 2950 Lumens per lamp.  
Efficiency: 60.4%  
CIE Type-Direct-Indirect  
Plane: 0-Deg 90-Deg 180-Deg.  
Spacing Criteria: 1.9 1.1 1.1  
Shielding Angles: 55 65  
Luminous Length: 48,000 2,400  
Height of Side 6.000 6.000

### COEFFICIENTS OF UTILIZATION - ZONAL CAVITY METHOD. EFFECTIVE FLOOR CAVITY REFLECTANCE 0.20

RC	80	50	30	10	50	30	10
1	58	54	52	42	40	38	33
2	52	47	43	36	33	31	29
3	47	41	36	31	28	25	23
4	43	36	31	28	24	21	20
5	39	32	27	25	21	18	17
6	36	28	23	22	18	16	15
7	33	26	21	20	16	14	12
8	31	23	18	18	15	12	10
9	29	21	16	17	13	11	9
10	27	19	15	15	12	10	8

### LUMINANCE DATA IN CANDELA/SQ. METER

AVERAGE IN DEG.	AVERAGE 0-DEG.	AVERAGE 45-DEG.	AVERAGE 90-DEG.
45	10652.	1310.	3855.
55	12396.	862.	3044.
65	14783.	540.	2384.
75	19419.	277.	1701.
85	32024.	73.	635.

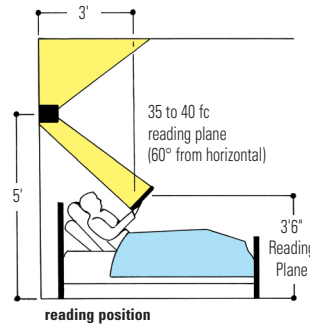
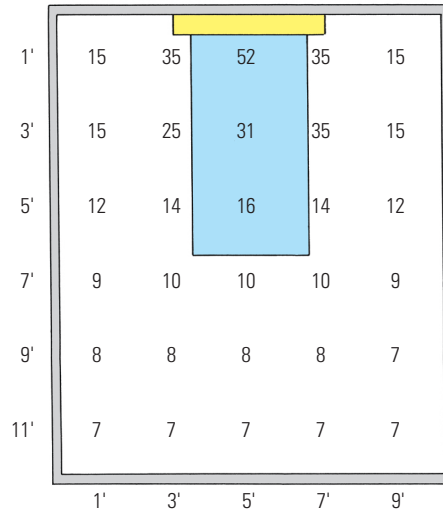
### CANDELA DISTRIBUTION

	0.0	45.0	90.0	FLUX
0	465	465	465	
5	479	455	455	44
15	531	425	420	126
25	581	375	368	190
35	615	311	301	237
45	630	241	228	261
55	623	168	153	254
65	589	108	95	235
75	548	55	48	203
85	504	14	10	172
90	496	12	0	
95	514	32	13	184
105	558	77	55	223
115	598	132	107	257
125	623	195	170	278
135	630	261	237	278
145	615	326	304	252
155	581	384	365	201
165	531	425	412	128
175	470	446	442	43
180	448	448	448	

### ZONAL LUMEN SUMMARY

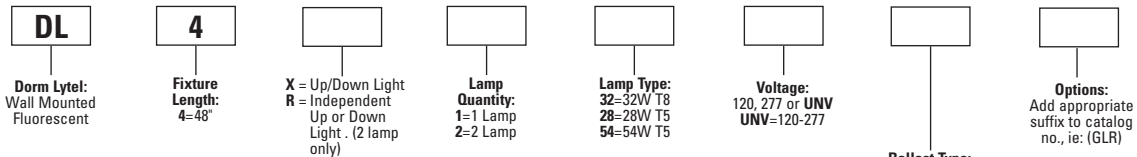
ZONE	LUMENS	% LAMP	% FIXT
0- 30	359	6.1	10.1
0- 40	596	10.1	16.7
0- 60	1112	18.8	31.2
0- 90	1723	29.2	48.3
90-120	664	11.3	18.6
90-130	942	16.0	26.4
90-150	1472	25.0	41.3
90-180	1843	31.2	51.7
0-180	3566	60.4	100.0

Room Size: 12' x 10' x 8' Ceiling.  
Reflectance: 80-50-20 .80LLF  
Reading Area: 35-40fc



## Ordering Information

Explanation of Catalog Number. Example: DL4X232120SO



## Options/Accessories

**Fusing:** Internal fast blow fusing: SUFFIX: **GLR**.

Internal slow blow fusing: SUFFIX: **GMF**.

**Radio Interference Filter:** 120 or 277 volt, 50 or 60 Hz. One per fixture. SUFFIX: **R**.

One per Ballast, SUFFIX: **B**.

**Electronic (Low Voltage) Sequential Switch:** Switch factory mounted for Up and Down Light operation from pillow switch. Includes phone jack type receptacle. SUFFIX: **SW**.

**Momentary Button Cordset:** Traditional "Winged" Pendant design ESD protection to 15,000 volts. Heavy duty 7' cable with phone plug and security clip.

Consult factory: Part number 7800W-7 CSP. (Button Cordset can only be used with SW Sequential Switch option)

**4-Way Pull Switch:** SUFFIX: **4P**.

**Electrical Wiring Options:** Consult factory.

## Specifications

**Materials:** Chassis parts are die-formed code rolled steel. **End Caps**-20 gauge cold rolled steel. **Reflector**-1/8" thick DR acrylic, unique co-extrusion, white opaque center, linear prisms to spread up/down light.

**Finish:** exterior white baked acrylic enamel.

**End Caps and Cover**-Post painted baked white enamel, 86% reflectance. Phosphate undercoating.

## Specifications (continued)

**Electrical:** Thermally protected class "P" ballast CBM approved, non PCB. If K.O. is within 3" of ballast, use wire suitable for at least 90°.

**Labels:** I.B.E.W./UL and ULc Listed.

## Job Information Type:

Lightolier a Genlyte company [www.lightolier.com](http://www.lightolier.com)  
Technical Information: (978) 657-7600 • Fax (978) 658-0595  
631 Airport Road, Fall River, MA 02720 • (508) 679-8131 • Fax (508) 674-4710  
We reserve the right to change details of design, materials and finish.  
© 2006 a Genlyte company **Section 4A/Folio I60-10**

LIGHTOLIER®