

Read and understand these instructions before installing luminaire:

This luminaire is intended for installation in accordance with the National Electrical Code and local regulations. To assure full compliance with local codes and regulations, check with your local electrical inspector before installation. To prevent electrical shock, turn off electricity at fuse box before proceeding.

Retain these instructions for maintenance reference

Installation Instructions:

1. Decide which side you want MAGNETIC TRACK and or SWITCH on. If default configuration is acceptable then go to step 3. If you need to reverse MAGNETIC TRACK or SWITCH orientation go to step 2.
2. Remove POWER FEED COVER by unscrewing (2) FLAT HEAD SCREWS that hold it in place. Then unscrew (2) PAN HEAD SCREWS that hold MAGNETIC TRACK to POWER FEED HOUSING (retain all screws). Cut-out INSERT in POWER FEED HOUSING with a UTILITY KNIFE as shown. Reverse MAGNETIC TRACK, POWER CORD and POWER FEED COVER direction over to other side and re-screw MAGNETIC TRACK and POWER FEED COVER down with SCREWS retained from earlier (FIG.1).
3. Track is field cuttable. To cut track: mark end furthest from POWER FEED and cut with a hacksaw (Note: Recommend using a 24T/in or higher saw blade) and debur cut end (FIG.2).
4. Attach END CAP to MAGNETIC TRACK by removing DOUBLE SIDED TAPE BACKING. Press END CAP into place on MAGNETIC TRACK, making certain that END CAP is tight against end of MAGNETIC TRACK (FIG.3).
5. To mount MAGNETIC TRACK align SCREWS provided (#8 x 1 cross recessed flat head screw) with mounting holes and drive into MOUNTING SURFACE, if hardware is appropriate for MOUNTING SURFACE type. If SCREWS provided are not appropriate use appropriate hardware for MOUNTING SURFACE type (by others). Then screw down tight to firmly secure track. (FIG.2&3).
6. Make sure that POWER SWITCH is in "OFF" position then run POWER CORD to remote power supply LED-RPS-50 (not shown) and wire POWER CORD into 24VDC side of power supply (See instruction sheet IS-LED-RPS-50 for detailed instructions.). A maximum of (7) CS101 series MAGNETIC PUCKS can be used with CS100 series MAGNETIC TRACK/LED-RPS-50 power supply.
7. Attach MAGNETIC PUCK to MAGNETIC TRACK as shown (FIG.4).
8. Turn POWER SWITCH to "ON" position.

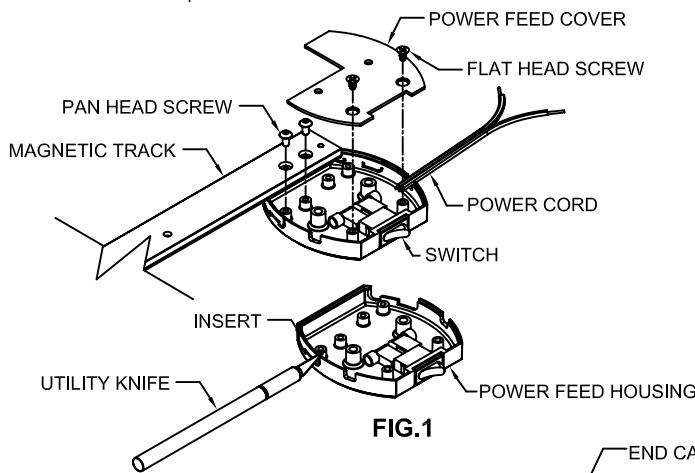


FIG.1

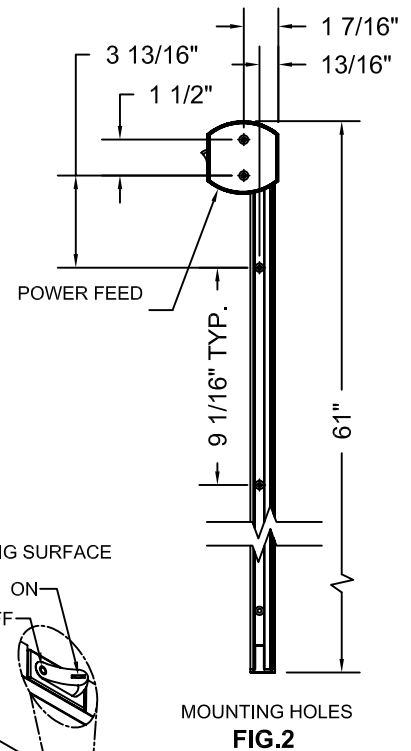


FIG.2

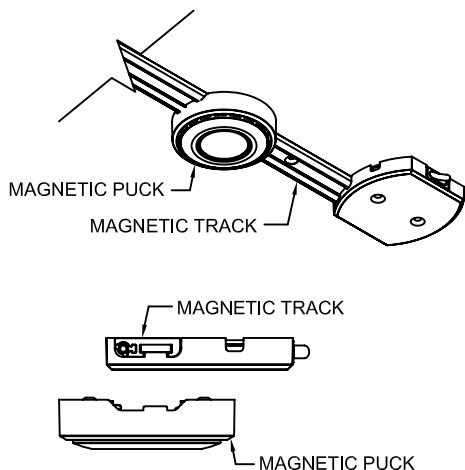


FIG.4

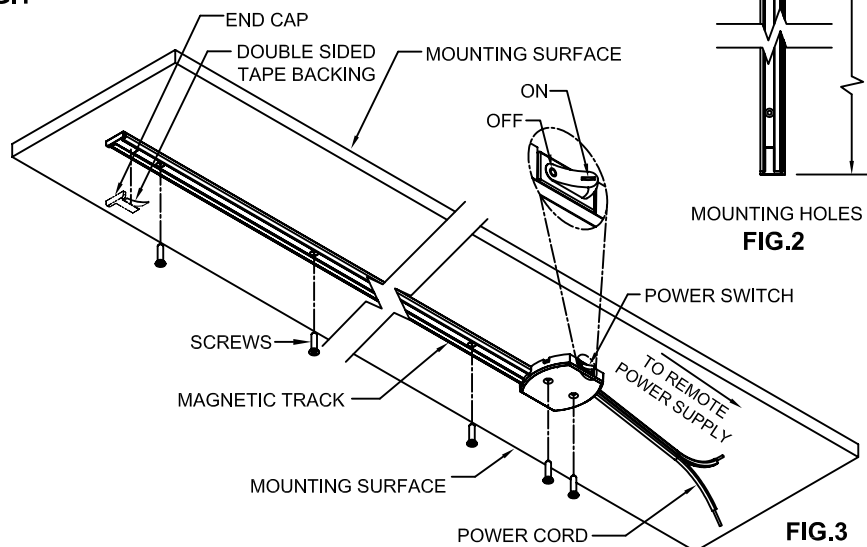


FIG.3