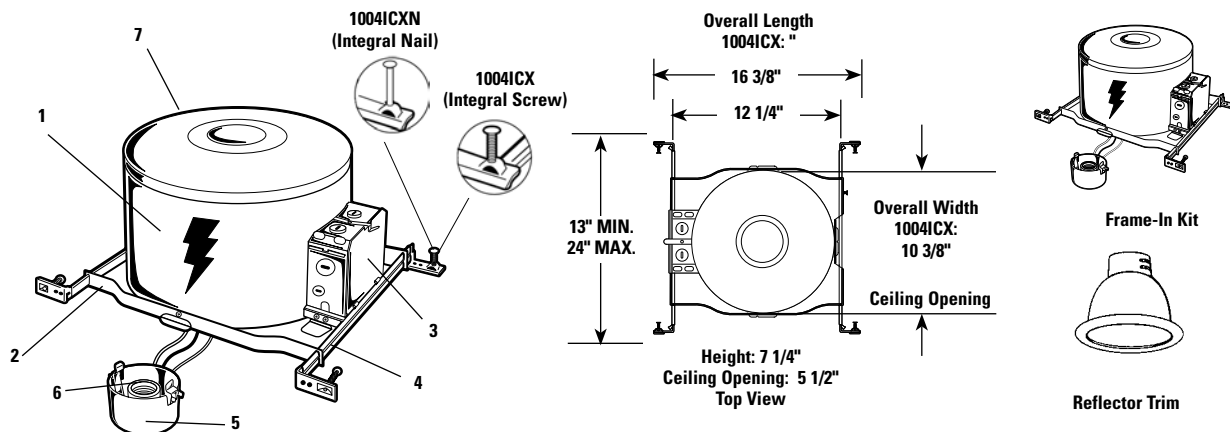


Lytecaster® Recessed Downlighting **1004ICX**

Page 1 of 1

5" Aperture **Lyte** High Wattage Incandescent AirSeal Insulated Ceiling Frame-In Kit



5" Aperture: Complete Fixture consists of Reflector Trim & Frame-In Kit. Select each separately.

Frame-In Kit	Reflector Trims — See Individual Reflector Trim Specification Sheets									
	Open Downlight					Recessed		Enclosed Diffuser	Open Wet Location	Wall Washer
Reflector	Cone	Satin Cone	Baffles	Basic White	Adjustable	Eyeball				
1004ICX	1045	1012	1008	1005	1071	1027	1022	1021	1084CD	1035
1004ICXQ*	1046	1012NM	1008NM	1005WH		1027WH	1022WH	1024	1084WH	1035WH
1004ICXN	1046CD	1013	1010	1005NM		1027BK	1023	1090		1085
1004ICXNQ*		1013BK	1010NM	1005BNM		1027CD	1023WH			1095
		1013WH		1076		1027NM	1082			1096
		1013CD		1076WH		1027CDNM				1096CD
		1013NM				1027BNM				
		1013BKNM				1027BKNM				
		1013CDNM				1038				
						1038NM				
						1048				
						1048NM				

*Supplied with integral push-in wire connectors

Features

- Housing:** .032" (#20 ga.) aluminum. UL listed for direct contact with thermal insulation. AirSeal® housing minimizes air leak-age to less than 2 CFM at 1.57 PSF (or 75pa), which complies with Model Energy Code (Section 602.3.3) and Washington State Energy Code (Section 502.4) and reduces heat loss and condensation in ceiling. Access door for inspection of junction box.
- Mounting Frame:** .032 (#22ga.) galvanized steel. Accommodates ceilings up to 1" thick. 3/8" deep integral lip. Locks into position along length of mounting bars with locking screw and bendable slot. Four slots are positioned 90° apart to simplify alignment. Push-in/twist-out roto-clips hold reflector flush to ceiling.
- Junction Box:** 2" X 4" X 3 1/2" (22 cu. in.) .032" (#22 ga.) galvanized steel. UL listed for maximum of 6 (#12 ga.) 90°C through branch circuit conductors. Integral cable clamps permit attachment of non-metallic (#12 or #14 ga.) Romex® cable without tools or additional connectors.
- Mounting Bars:** .059" (#16 ga.) galvanized steel. Bars pivot for easy attachment and wire-in below ceiling line. Bars extend to accommodate 16" to 24" O.C. joist spacing. Bars can accommodate 12" O.C. joist spacing after a slight field modification (see Instruction Sheet). 1004ICX features integral self tapping phillips screws for secure attachment to wood or metal construction. 1004ICXN features integral nails for secure attachment to wood. Both attach to T-bar ceilings without the need of accessories.
- Socket Housing:** Impact extruded aluminum or galvanized steel.
- Socket:** Porcelain medium base; nickel plated screw shell. Pre-wired with #18 ga. SF1 (300 Volt 200° C) leads to junction box.
- Thermal Protector:** Meets NEC and UL requirements. Located inside housing

Options & Accessories

Extra-Thick Ceiling

Mounting Ring:

1967B - 1 1/4" to 2" thick ceilings

Labels

UL (Type I.C., Suitable for Damp Location), I.B.E.W.

Complies with Air Leakage Requirements stated in the Model Energy Code and the Washington State Energy Code.

AirSeal® is a registered trademark of Lightolier.

Romex® is a registered trademark of General Cable Industries Inc.

Job Information

Type:

Job Name:

Cat. No.:

Lamp(s):

Notes:

Lightolier a Genlyte company

www.lightolier.com

631 Airport Road, Fall River, MA 02720 • (508) 679-8131 • Fax (508) 674-4710

We reserve the right to change details of design, materials and finish.

© 2007 Genlyte Group LLC • I0507

LIGHTOLIER®