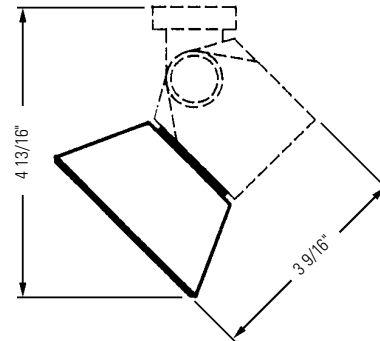
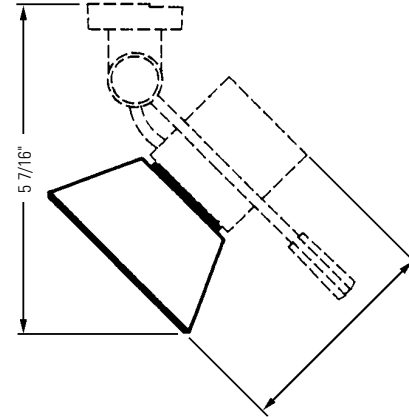


CONE 16 WITH LOW PROFILE ADAPTER



CONE 16 WITH HINGED ADAPTER



Ordering Information

| Catalog No. | Finishes | Mounting | Lamps |
|------------------|----------------------------|----------------------------|---|
| 8215WH 8215BK | Matte White Matte Black | All Lytespan Track Systems | 75W PAR16 (Tungsten-Halogen) (60W Max. with Accessories) |

Features

- 1. Shade Attachment:** Zinc plated and painted C.R. steel. Bayonet fitting.
- 2. Shade:** Single piece die-cast aluminum.
- 3. Mounting Groove:** For accessory holder.
- 4. Color Accent Ring:** Silicone rubber. (Removable)
- 5. Perimeter Venting**

Options & Accessories

2" Beam Smoother and Beam Elongator. All require Accessory Holder 8581. See Lightolier Specification Sheets, AF2LF and AF2AS.
Do not use with AL2HC louver.

Finish

All painted finishes baked enamel.

Labels

UL; I.B.E.W.

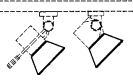
Patents

Products shown here are protected by applicable patents and patents pending.

| Job Information | Type: |
|------------------|-------|
| Job Name: | |
| Cat. No.: | |
| Lamp(s): | |
| Notes: | |

Lightolier a Genlyte Thomas Company www.lightolier.com
 631 Airport Road, Fall River, MA 02720 • (508) 679-8131 • Fax (508) 674-4710
 We reserve the right to change details of design, materials and finish.
 © 2002 Genlyte Thomas Group LLC (Lightolier Division) • A0902

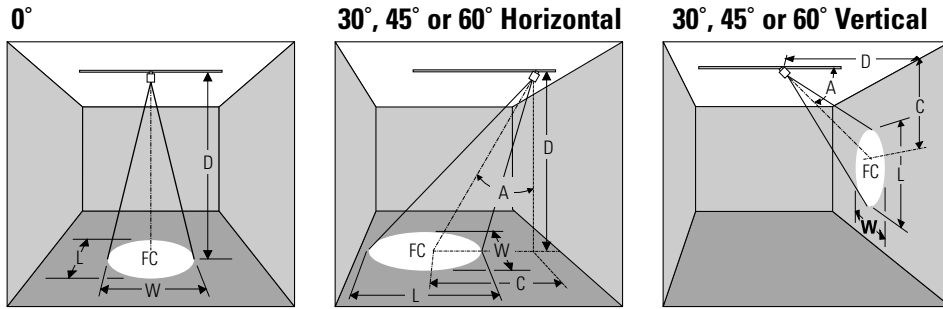
LIGHTOLIER®



Lighting Data
Aiming Angle

- L** Beam Length
- W** Beam Width
- C** Distance to center beam
- D** Distance
- A** Aiming Angle
- FC** Footcandles

L and W are the outer points where the candle power drops to 50% of the maximum. FC are the initial footcandles at the center of the beam.



LAMP

| | Beam Spread 50% Max. CP | Beam Center C.P. Candelas | Rated Life-Hrs | 0° AIMING ANGLE | | | | | A=30° AIMING ANGLE | | | | | A=45° AIMING ANGLE | | | | | A=60° AIMING ANGLE | | | | |
|--------------------------------|----------------------------|------------------------------|-------------------|-----------------|-----|------|------|-----|--------------------|-----|------|------|-----|--------------------|-----|------|------|----|--------------------|-----|-------|------|--|
| | | | | D | FC | L | W | D | C | FC | L | W | D | C | FC | L | W | D | C | FC | L | W | |
| 60W PAR16 NSP (Halogen) | 10° | 5,000 | 2,000 | 6' | 139 | 1.0' | 1.0' | 5' | 2.9' | 130 | 1.2' | 1.0' | 3' | 3.0' | 196 | 1.1' | 0.7' | 2' | 3.5' | 156 | 1.4' | 0.7' | |
| | | | | 8' | 78 | 1.4' | 1.4' | 7' | 4.0' | 65 | 1.6' | 1.4' | 5' | 5.0' | 71 | 1.6' | 1.2' | 3' | 5.2' | 69 | 2.1' | 1.0' | |
| | | | | 10' | 50 | 1.7' | 1.7' | 9' | 5.2' | 40 | 2.1' | 1.8' | 7' | 7.0' | 36 | 2.5' | 1.7' | 4' | 6.9' | 39 | 2.9' | 1.4' | |
| | | | | 12' | 35 | 2.1' | 2.1' | 11' | 8.4' | 27 | 2.8' | 2.2' | 9' | 9.0' | 22 | 3.2' | 2.2' | 5' | 8.7' | 25 | 3.6' | 1.7' | |
| 60W PAR16 NFL (Halogen) | 30° | 1,300 | 2,000 | 3' | 144 | 1.6' | 1.6' | 3' | 1.7' | 94 | 2.2' | 1.0' | 2' | 2.0' | 115 | 2.3' | 1.5' | 1' | 1.7' | 163 | 2.7' | 1.1' | |
| | | | | 5' | 52 | 2.7' | 2.7' | 5' | 2.9' | 34 | 3.7' | 3.1' | 3' | 3.0' | 51 | 3.5' | 2.3' | 2' | 3.5' | 41 | 5.5' | 2.1' | |
| | | | | 7' | 27 | 3.6' | 3.8' | 7' | 4.0' | 17 | 5.1' | 4.3' | 4' | 4.0' | 29 | 4.6' | 3.0' | 3' | 5.2' | 18 | 6.2' | 3.2' | |
| | | | | 9' | 16 | 4.8' | 4.8' | 9' | 5.2' | 10 | 6.6' | 5.6' | 5' | 5.0' | 18 | 5.8' | 3.8' | 4' | 6.9' | 10 | 10.8' | 4.3' | |
| 75W PAR16 (Halogen) | 10° | 7,500 | 2,000 | 7' | 153 | 1.2' | 1.2' | 6' | 3.5' | 135 | 1.4' | 1.2' | 4' | 4.0' | 166 | 1.4' | 1.0' | 2' | 3.5' | 234 | 1.4' | 0.7' | |
| | | | | 10' | 75 | 1.7' | 1.7' | 9' | 5.2' | 60 | 2.1' | 1.8' | 6' | 6.0' | 74 | 2.1' | 1.5' | 3' | 5.2' | 104 | 2.1' | 1.0' | |
| | | | | 13' | 44 | 2.3' | 2.3' | 12' | 6.9' | 34 | 2.8' | 2.4' | 9' | 9.0' | 41 | 2.8' | 2.0' | 4' | 6.9' | 59 | 2.9' | 1.4' | |
| | | | | 16' | 29 | 2.8' | 2.8' | 13' | 8.7' | 22 | 3.5' | 3.0' | 10' | 10.0' | 27 | 3.5' | 2.5' | 5' | 8.7' | 38 | 3.6' | 1.7' | |
| 75W PAR16 NFL (Halogen) | 30° | 1,900 | 2,000 | 4' | 119 | 2.1' | 2.1' | 3' | 1.7' | 137 | 2.2' | 1.9' | 3' | 3.0' | 75 | 3.5' | 2.3' | 1' | 1.7' | 238 | 2.7' | 1.1' | |
| | | | | 6' | 53 | 3.2' | 3.2' | 5' | 2.9' | 49 | 3.7' | 3.1' | 4' | 4.0' | 42 | 4.6' | 3.0' | 2' | 3.5' | 59 | 5.5' | 2.1' | |
| | | | | 8' | 30 | 4.3' | 4.3' | 7' | 4.0' | 25 | 5.1' | 4.3' | 5' | 5.0' | 27 | 5.8' | 5.8' | 3' | 5.2' | 26 | 8.2' | 3.2' | |
| | | | | 10' | 19 | 5.4' | 5.4' | 9' | 5.2' | 15 | 6.6' | 5.6' | 6' | 6.0' | 19 | 6.9' | 4.5' | 4' | 6.9' | 15 | 10.9' | 4.3' | |

LIGHTOLIER®

Job Information **Type:**

Lightolier a Genlyte Thomas Company www.lightolier.com
 631 Airport Road, Fall River, MA 02720 • (508) 679-8131 • Fax (508) 674-4710
 We reserve the right to change details of design, materials and finish.
 © 2002 Genlyte Thomas Group LLC (Lightolier Division) • A0902