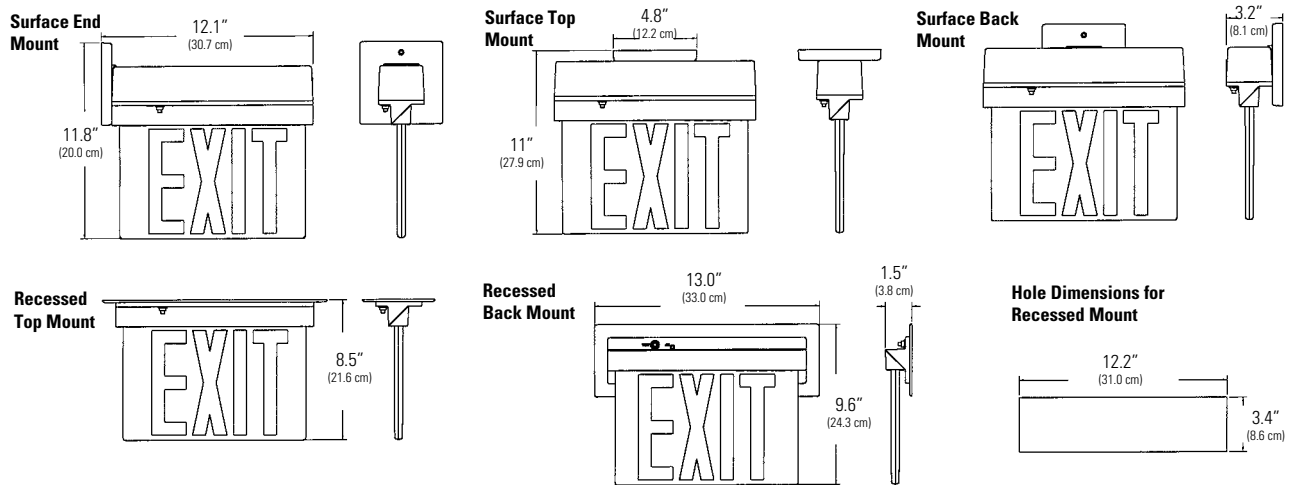


The LU Series Universal Edge-Lit provides a practical solution to Edge-Lit applications with a universal surface or ceiling mounted housing in one. The chevrons are field installed thus eliminating the time to determine arrow configurations.



Complete Fixture consists of base exit sign. Select options and accessories below.

How to Specify:

<div style="border: 1px solid black; padding: 2px; width: 30px; margin: 0 auto;">LU</div> <p>SERIES</p> <p>LU = LU Series Universal Edge-Lit Exit Sign</p>	<div style="border: 1px solid black; width: 30px; height: 15px; margin: 0 auto;"></div> <p>BATTERY</p> <p>N = Self-Powered blank = AC Only</p>	<div style="border: 1px solid black; width: 30px; height: 15px; margin: 0 auto;"></div> <p>HOUSING COLOR</p> <p>W = White B = Black</p>	<div style="border: 1px solid black; width: 30px; height: 15px; margin: 0 auto;"></div> <p># OF FACES</p> <p>1 = Single 2 = Double</p>	<div style="border: 1px solid black; width: 30px; height: 15px; margin: 0 auto;"></div> <p>LETTER COLOR</p> <p>R = Red G = Green</p>
---	---	--	---	---

Features

- 1. Illumination:** Illumination of the tapered panel is accomplished with high brightness LEDs offering even illumination. LEDs offer low maintenance replacement costs and long life.
- 2. Housing:** Constructed of impact-resistant, UL 94 V-0, 5 VA thermoplastic housing and backbox. Suitable for both recessed and surface mount applications. White housing is standard, black available as an option.
- 3. Electronics:** 120/277 VAC dual voltage input with surge-protected, solid-state circuitry. Emergency operation version includes a charging system complete with low voltage disconnect, AC lockout, brownout protection, AC indicator lamp and test switch.
- 4. Battery:** Maintenance free, sealed nickel cadmium battery has an estimated service life of 10 years, and an operating temperature range of 20°F (-7°C) to 95°F (35°C).
- 5. Input Power Requirements (at 120 VAC):** AC Only - 5.16 watts (red), 4.8 watts (green); Emergency operation - 8.4 watts (red), 5.4 watts (green)
- 6. Warranty:** Electronics: 3 years; Battery: 5 years full, 5 years pro-rata

Code Compliance

UL 924 listed, UL Damp Location Listing optional.
National Electrical Code (NEC), NFPA70 and NFPA101 life safety codes; and OSHA safety code illumination standards.

Options

- 2CKT1** = Two circuit, 120 VAC
- 2CKT2** = Two circuit, 277 VAC
- BF** = Buzzer/Flasher (emergency operation only)
- BZ** = DC Buzzer (emergency operation only)
- DL** = UL Damp Location Listing
- EX** = Special Input Transformer (specify voltage & frequency)
- FA** = Fire Alarm Flasher
- FL** = Emergency Flasher

Accessories

- PKIT12W** = Pendant Kit, 12" white finish
- PKIT12B** = Pendant Kit, 12" black finish
- SL-KIT** = Bar Hanger Kit

NOTE: Consult factory for additional lengths.

Job Information	Type:
Job Name:	
Cat. No.:	
Lamp(s):	
Notes:	

631 Airport Road, Fall River, MA 02720 • (508) 679-8131 • Fax (508) 674-4710
We reserve the right to change details of design, materials and finish.
www.lightolier.com © 2008 Philips Group • D0308