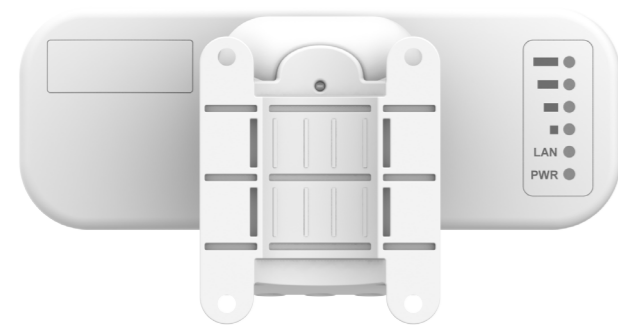
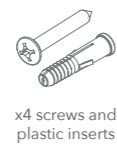
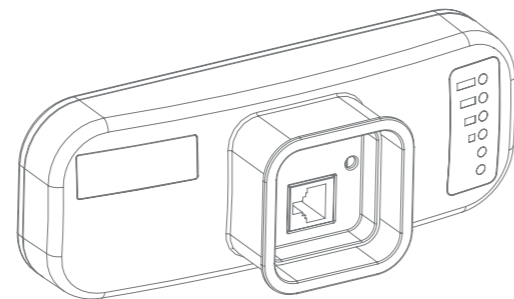


LigoDLB Propeller 2 LigoDLB Propeller 5

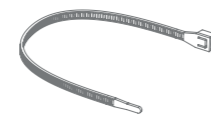
installation



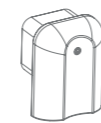
Package content



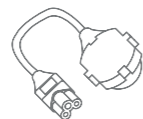
x4 screws and plastic inserts



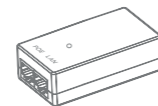
x2 plastic clamps



Insert bracket



Power cord

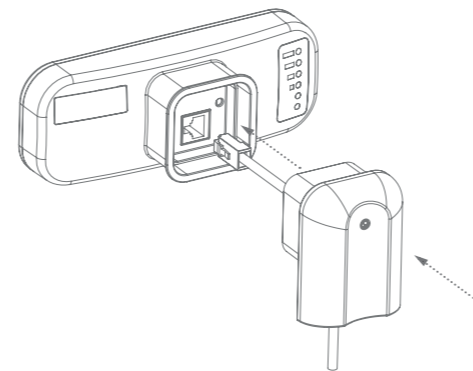
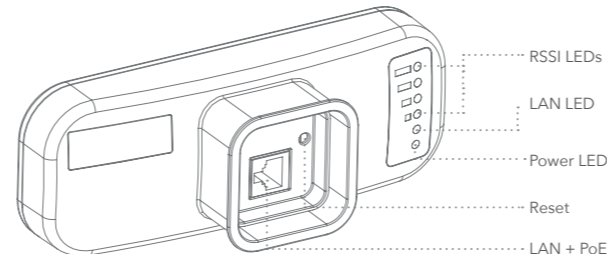


PoE power adapter

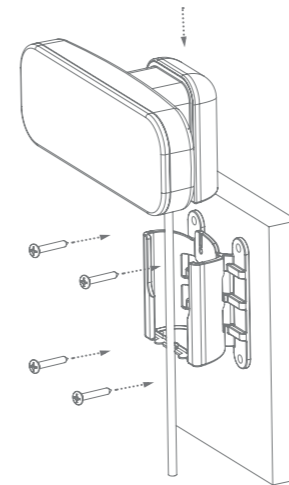


Wall/pole mount

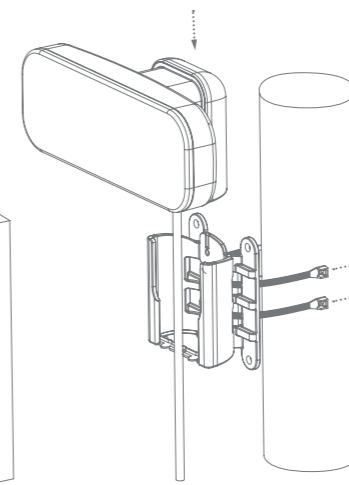
Assembling



Mounting

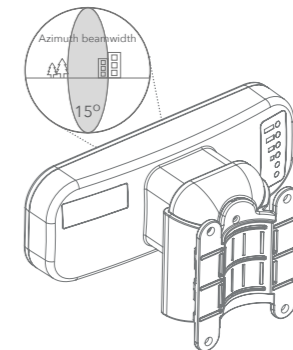


Wall mounting

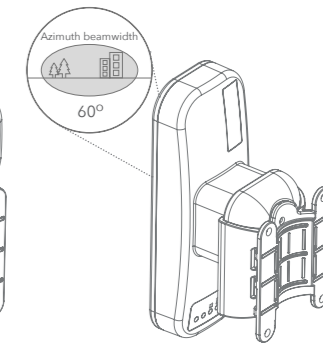


Pole mounting

Operating modes

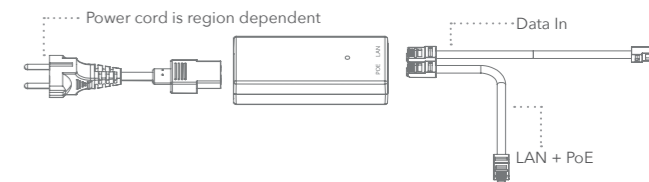


CPE mode



AP mode

PoE connection





Default login settings



IP address:

DHCP client
(fallback IP 192.168.2.66)

Login:

Login: **admin**
Pass: **admin01**

Important information

Copyright

© 2015 LigoWave
This guide and the software described in it are copyrighted with all rights reserved. No part of this publication may be reproduced, transmitted, transcribed, stored in a retrieval system, or translated into any language in any form by any means without the written permission of LigoWave.

Notice

Product size and shape are subject to change without prior notice, and actual product appearance may differ from that depicted in the user guide.
While the information in this guide has been compiled with great care, it may not be deemed an assurance of product characteristics. LigoWave shall be liable only to the degree specified in the terms of sale and delivery.
The reproduction and distribution of the documentation and software supplied with this product and the use of its contents is subject to written authorization from LigoWave.

Trademarks

LigoWave logo is trademark of LigoWave.
All other registered and unregistered trademarks in this document are the sole property of their respective owners.



FCC warning

This equipment has been tested and found to comply with the limits for a Class B digital device, pursuant to Part 15 of the FCC Rules. These limits are designed to provide reasonable protection against harmful interference in a residential installation. This equipment generates, uses, and can radiate radio frequency energy and, if not installed and used in accordance with the instructions, may cause harmful interference to radio communications. However, there is no guarantee that interference will not occur in a particular installation. If this equipment does cause harmful interference to radio or television reception, which can be determined by turning the equipment off and on, the user is encouraged to try to correct the interference by one of the following measures:

- Reorient or relocate the receiving antenna.
 - Increase the separation between the equipment and receiver.
 - Connect the equipment into an outlet on a circuit different from that to which the receiver is connected.
 - Consult the dealer or an experienced radio/TV technician for help.
 - This device complies with Part 15 of the FCC Rules. Operation is subject to the following two conditions: (1) This device may not cause harmful interference, and (2) this device must accept any interference received, including interference that may cause undesired operation.
- The device with integrated antenna must be installed no closer than **50 cm** from the human body.

FCC caution

To assure continued compliance, any changes or modifications not expressly approved by the party responsible for compliance could void the user's authority to operate this equipment.

This product is a professional installed, support fixed point to point operations only.

CE mark warning

This is a Class A product. In a domestic environment this product may cause radio interference in which case the user may be required to take adequate measures.

R&TTE compliance statement

This equipment complies with all the requirements of the Directive 1999/5/EC of the European Parliament and the Council of 9 March 1999 on Radio Equipment and Telecommunication Terminal Equipment and the Mutual Recognition of their Conformity (R&TTE).
The R&TTE Directive repeals and replaces in the directive 98/13/EEC (Telecommunications Terminal Equipment and Satellite Earth Station Equipment) As of April 8, 2000.

Safety

This equipment is designed with the utmost care for the safety of those who install and use it. However, special attention must be paid to the dangers of electric shock and static electricity when working with electrical equipment. All guidelines of this manual and of the computer manufacturer must therefore be allowed at all times to ensure the safe use of the equipment.

EU countries not intended for use

None.

Declaration of conformity

Česky [Czech]

Wilibox tímto prohlašuje, že tento LigoDLB Propeller 2, LigoDLB Propeller 5, je ve shodě se základními požadavky a dalšími příslušnými ustanoveními směrnice 1999/5/ES.

Dansk [Danish]

Undertegnede Wilibox erklærer herved, at følgende udstyr LigoDLB Propeller 2, LigoDLB Propeller 5, overholder de væsentlige krav og øvrige relevante krav i direktiv 1999/5/EF.

Nederlands [Dutch]

Hierbij verklaart Wilibox dat het toestel LigoDLB Propeller 2, LigoDLB Propeller 5, in overeenstemming is met de essentiële eisen en de andere relevante bepalingen van richtlijn 1999/5/EG.
Bij deze verklaart Wilibox dat deze LigoDLB Propeller 2, LigoDLB Propeller 5, voldoet aan de essentiële eisen en aan de overige relevante bepalingen van Richtlijn 1999/5/EC.

English

Hereby, Wilibox, declares that this LigoDLB Propeller 2, LigoDLB Propeller 5, is in compliance with the essential requirements and other relevant provisions of Directive 1999/5/EC.

Eesti [Estonian]

Käesolevaga kinnitab Wilibox seadme LigoDLB Propeller 2, LigoDLB Propeller 5, vastavust direktiivi 1999/5/EÜ põhinõuetele ja nimetatud direktiivist tulenevatele teistele asjakohastele sätetele.

Suomi [Finnish]

Wilibox vakuuttaa täten että LigoDLB Propeller 2, LigoDLB Propeller 5, tyypinen laite on direktiivin 1999/5/EY oleellisten vaatimusten ja sitä koskevien direktiivin muiden ehtojen mukainen.

Français [French]

Par la présente Wilibox déclare que l'appareil LigoDLB Propeller 2, LigoDLB Propeller 5, est conforme aux exigences essentielles et aux autres dispositions pertinentes de la directive 1999/5/CE.
Par la présente, Wilibox déclare que ce LigoDLB Propeller 2, LigoDLB Propeller 5, est conforme aux exigences essentielles et aux autres dispositions de la directive 1999/5/CE qui lui sont applicables.

Deutsch [German]

Hiermit erklärt Wilibox, dass sich diese LigoDLB Propeller 2, LigoDLB Propeller 5, in Übereinstimmung mit den grundlegenden Anforderungen und den anderen relevanten Vorschriften der Richtlinie 1999/5/EG befindet. (BMWi) Hiermit erklärt Wilibox die Übereinstimmung des Gerätes LigoDLB Propeller 2, LigoDLB Propeller 5, mit den grundlegenden Anforderungen und den anderen relevanten Festlegungen der Richtlinie 1999/5/EG. (Wien)

Ελληνική [Greek]

ΜΕ ΤΗΝ ΠΑΡΟΥΣΑ Wilibox ΔΗΛΩΝΕΙ ΟΤΙ LigoDLB Propeller 2, LigoDLB Propeller 5, ΣΥΜΜΟΡΦΩΝΕΤΑΙ ΠΡΟΣ ΤΙΣ ΟΥΣΙΩΔΕΙΣ ΑΠΑΙΤΗΣΕΙΣ ΚΑΙ ΤΙΣ ΛΟΙΠΕΣ ΣΧΕΤΙΚΕΣ ΔΙΑΤΑΞΕΙΣ ΤΗΣ ΟΔΗΓΙΑΣ 1999/5/ΕΚ.

Magyar [Hungarian]

Alulírott, Wilibox nyilatkozom, hogy a LigoDLB Propeller 2, LigoDLB Propeller 5, megfelel a vonatkozó alapvető követelményeknek és az 1999/5/EC irányelv egyéb előírásainak.

Íslenska [Icelandic]

Hér með lýsir Wilibox yfir því að LigoDLB Propeller 2, LigoDLB Propeller 5, er í samræmi við grunnkröfur og aðrar kröfur, sem gerðar eru í tilskipun 1999/5/EC.

Italiano [Italian]

Con la presente Wilibox dichiara che questo LigoDLB Propeller 2, LigoDLB Propeller 5, è conforme ai requisiti essenziali ed alle altre disposizioni pertinenti stabilite dalla direttiva 1999/5/CE.

Latviski [Latvian]

Ar šo Wilibox deklarē, ka LigoDLB Propeller 2, LigoDLB Propeller 5, atbilst Direktīvas 1999/5/EK būtiskajām prasībām un citiem ar to saistītajiem noteikumiem.

Lietuvių [Lithuanian]

Šiuo Wilibox deklaruoją, kad šis LigoDLB Propeller 2, LigoDLB Propeller 5, atitinka esminius reikalavimus ir kitas 1999/5/EB Direktyvos nuostatas.

Malti [Maltese]

Hawnhekk, Wilibox, jiddikjara li dan LigoDLB Propeller 2, LigoDLB Propeller 5, jikkonforma mal-htigijiet essenzjali u ma provvedimenti oħrajn rilevanti li hemm fd-Direttiva 1999/5/EC.

Norsk [Norwegian]

Wilibox erklærer herved at utstyret LigoDLB Propeller 2, LigoDLB Propeller 5, er i samsvar med de grunnleggende krav og øvrige relevante krav i direktiv 1999/5/EF.

Slovensky [Slovak]

Wilibox týmto vyhlasuje, že LigoDLB Propeller 2, LigoDLB Propeller 5, spĺňa základné požiadavky a všetky príslušné ustanovenia Smernice 1999/5/ES.

Svenska [Swedish]

Härmed intygar Wilibox att denna LigoDLB Propeller 2, LigoDLB Propeller 5, står i överensstämmelse med de väsentliga egenskapskrav och övriga relevanta bestämmelser som framgår av direktiv 1999/5/EG.

Español [Spanish]

Por medio de la presente Wilibox declara que el LigoDLB Propeller 2, LigoDLB Propeller 5, cumple con los requisitos esenciales y cualesquiera otras disposiciones aplicables o exigibles de la Directiva 1999/5/CE.

Polski [Polish]

Niniejszym, firma Wilibox oświadcza, że produkt serii LigoDLB Propeller 2, LigoDLB Propeller 5, spełnia zasadnicze wymagania i inne istotne postanowienia Dyrektywy 1999/5/EC.

Português [Portuguese]

Wilibox declara que este LigoDLB Propeller 2, LigoDLB Propeller 5, está conforme com os requisitos essenciais e outras disposições da Directiva 1999/5/CE.

To get full CE declaration of conformity documents, refer at <http://www.ligowave.com/wiki/declarations-conformity/>

Contact information

Technical support

If you encounter problems when installing or using this product, please consult the LigoWave website at www.LigoWave.com for:

- Direct contact to the LigoWave support centers.
- Frequently Asked Questions (FAQ).
- Download area for the latest software, user documentation and product updates.

EU office:

Sauletkio ave. 15 - 610
Vilnius, LT-10244,
Lithuania
support@wilibox.com

US office:

Ligowave
138 Mountain Brook Drive
Canton, GA 30115
United States of America
For support: support@ligowave.com
For sales enquiries: sales@ligowave.com