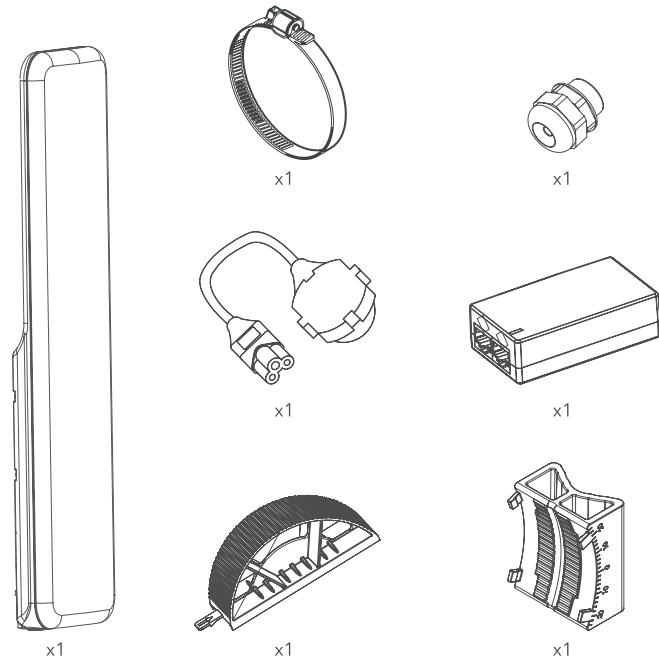




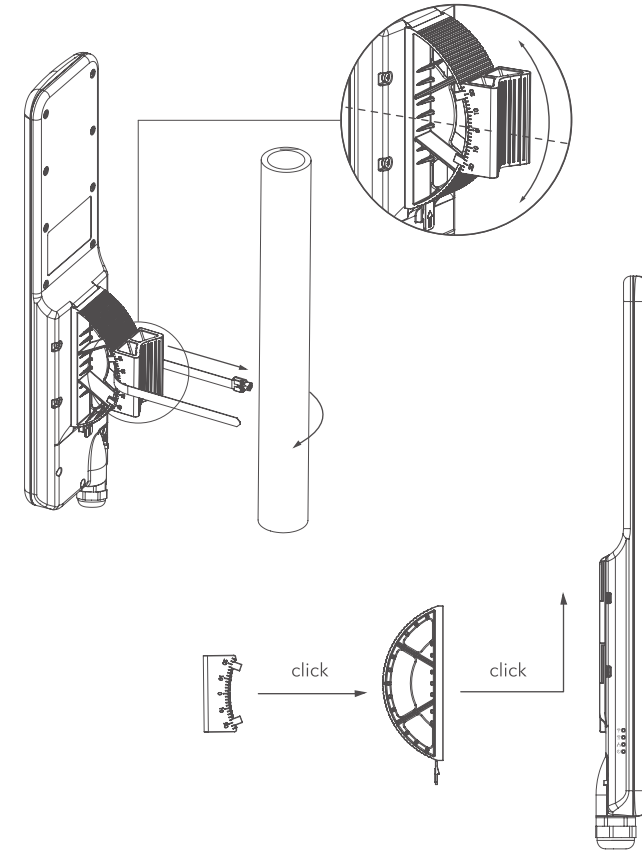
# NFT Blizzard 2ac-90 Lite

## INSTALLATION

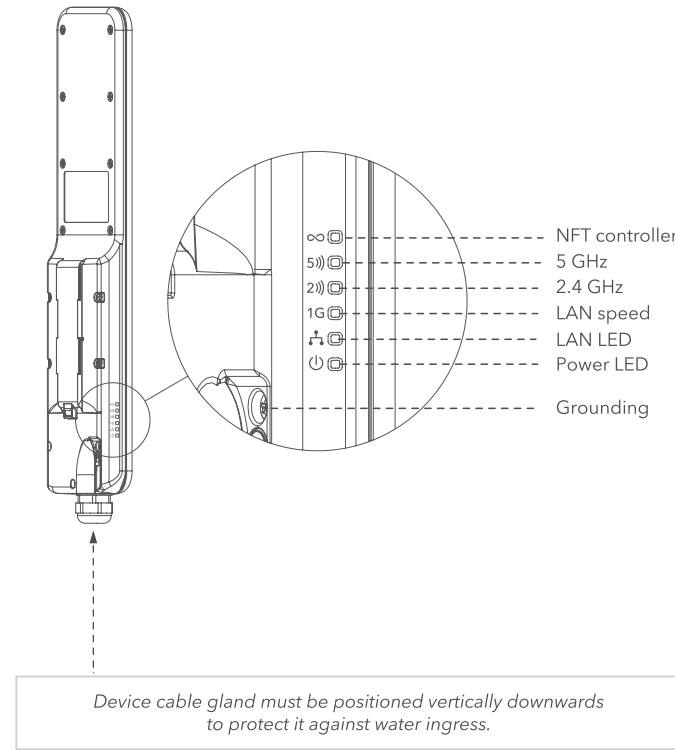
### Package content



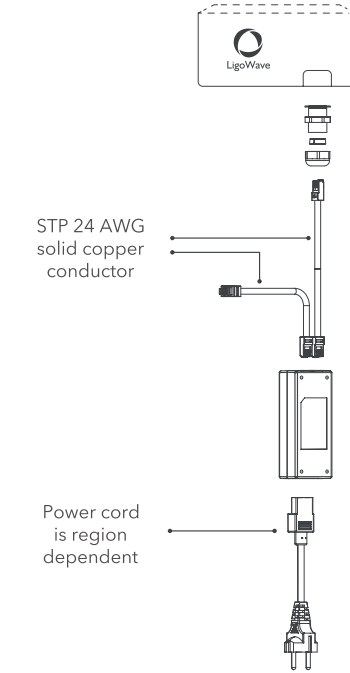
### Mounting Pole



### Overview



### PoE connection



## Default login settings

<b>IP address:</b> DHCP client (fallback IP 192.168.2.66)	<b>Login:</b> Login: <b>admin</b> Pass: <b>admin01</b>
---	--

## Important information

Copyright © 2018 LigoWave

This guide and the software described in it are copyrighted with all rights reserved. No part of this publication may be reproduced, transmitted, transcribed, stored in a retrieval system, or translated into any language in any form by any means without the written permission of LigoWave.

### Notice

Product size and shape are subject to change without prior notice, and actual product appearance may differ from that depicted in the user guide.

While the information in this guide has been compiled with great care, it may not be deemed an assurance of product characteristics. LigoWave shall be liable only to the degree specified in the terms of sale and delivery. The reproduction and distribution of the documentation and software supplied with this product and the use of its contents is subject to written authorization from LigoWave.

### Trademarks

LigoWave logo is trademark of LigoWave. All other registered and unregistered trademarks in this document are the sole property of their respective owners.

## CE information

### CE mark warning

This is a Class A product. In a domestic environment this product may cause radio interference in which case the user may be required to take adequate measures.

To avoid usage of unlicensed channels please choose the correct Country on the Web Management Disclaimer. Keep in mind that the responsibility for the proper usage of the device in accordance with the regulatory rules lies with an installer or an equipment owner. Operations in the 5.15-5.25GHz band are restricted to indoor usage only.



AT	BE	BG	CZ	DK	EE	FR	DE	IS	IE	IT
EL	ES	CY	LV	LI	LT	LU	HU	MT	NL	NO
PL	PT	RO	SI	SK	TR	FI	SE	CH	UK	HR

### Safety

This equipment is designed with the utmost care for the safety of those who install and use it. However, special attention must be paid to the dangers of electric shock and static electricity when working with electrical equipment. All guidelines of this manual and of the computer manufacturer must therefore be allowed at all times to ensure the safe use of the equipment.



According to European Directive 2002/96/EC requirement, equipment that contains this mark must not be disposed with unsorted municipal waste. It is a customer's responsibility to use local electric and electronic equipment waste collection point for this equipment disposal.

## Declaration of Conformity

**Български [Bulgaria]**  
С настоящото LigoWave декларира, че този тип радиосъоръжение NFT Blizzard 2ac-90 Lite е в съответствие с Директива 2014/53/ЕС. Цялостният текст на ЕС декларацията за съответствие може да се намери на следния интернет адрес: <https://www.ligowave.com/downloads>

**Česky [Czech]**  
Tímto LigoWave prohlašuje, že typ rádiového zařízení NFT Blizzard 2ac-90 Lite je v souladu se směrnicí 2014/53/EU. Úplné znění EU prohlášení o shodě je k dispozici na této internetové adrese: <https://www.ligowave.com/downloads>

**Hrvatski [Croatia]**  
LigoWave ovime izjavljuje da je radijska oprema tipa NFT Blizzard 2ac-90 Lite u skladu s Direktivom 2014/53/EU. Cjeloviti tekst EU izjave o sukladnosti dostupan je na sljedećoj internetskoj adresi: <https://www.ligowave.com/downloads>

**Dansk [Danish]**  
Hermed erklærer LigoWave, at radioustyrstype n NFT Blizzard 2ac-90 Lite er i overensstemmelse med direktiv 2014/53/EU. EU-overensstemmelseserklæringens fulde tekst kan findes på følgende internetadresse: <https://www.ligowave.com/downloads>

**Nederlands [Dutch]**  
Hierbij verklaar ik, LigoWave, dat het type radioapparatuur NFT Blizzard 2ac-90 Lite conform is met Richtlijn 2014/53/EU. De volledige tekst van de EU-conformiteitsverklaring kan worden geraadpleegd op het volgende internetadres: <https://www.ligowave.com/downloads>

**English**  
Hereby, LigoWave declares that the radio equipment type NFT Blizzard 2ac-90 Lite is in compliance with Directive 2014/53/EU. The full text of the EU declaration of conformity is available at the following internet address: <https://www.ligowave.com/downloads>

**Eesti [Estonian]**  
Käesolevaga deklareerib LigoWave, et käesolev raadioseadme tüüp NFT Blizzard 2ac-90 Lite vastab direktiivi 2014/53/EL nõuetele. ELi vastavusdeklaratsiooni täielik tekst on kättesaadav järgmisel internetiaadressil: <https://www.ligowave.com/downloads>

**Suomi [Finnish]**  
LigoWave vakuuttaa, että radiolaitetyypin NFT Blizzard 2ac-90 Lite on direktiivin 2014/53/EU mukainen. EU-vaatimustenmukaisuusvakuutuksen täysimittainen teksti on saatavilla seuraavassa internetosoitteessa: <https://www.ligowave.com/downloads>

**Français [French]**  
Le soussigné, LigoWave, déclare que l'équipement radioélectrique du type NFT Blizzard 2ac-90 Lite est conforme à la directive 2014/53/UE. Le texte complet de la déclaration UE de conformité est disponible à l'adresse internet suivante: <https://www.ligowave.com/downloads>

**Deutsch [German]**  
Hiermit erkläre LigoWave, dass der Funkanlagentyp NFT Blizzard 2ac-90 Lite der Richtlinie 2014/53/EU entspricht. Der vollständige Text der EU-Konformitätserklärung ist unter der folgenden Internetadresse verfügbar: <https://www.ligowave.com/downloads>

### Ελληνική [Greek]

Με την παρούσα ο/η LigoWave, δηλώνει ότι ο ραδιοεξοπλισμός NFT Blizzard 2ac-90 Lite πληροί την οδηγία 2014/53/ΕΕ. Το πλήρες κείμενο της δήλωσης συμμόρφωσης ΕΕ διατίθεται στην ακόλουθη ιστοσελίδα στο διαδίκτυο: <https://www.ligowave.com/downloads>

### Magyar [Hungarian]

LigoWave igazolja, hogy a NFT Blizzard 2ac-90 Lite típusú rádióberendezés megfelel a 2014/53/EU irányelvnek. Az EU-megfelelőségi nyilatkozat teljes szövege elérhető a következő internetes címen: <https://www.ligowave.com/downloads>

### Íslenska [Icelandic]

Hér mee lýsir LigoWave yfir tví ae tetta NFT Blizzard 2ac-90 Lite tæki er í samræmi við grunnkröfur og aðrar kröfur, sem gerðar eru í tilskipun 2014/53/EU. Fullur texti ESB samræmisýrflýsing er að finna á eftirfarandi netfangi: <https://www.ligowave.com/downloads>

### Italiano [Italian]

Il fabbricante, LigoWave, dichiara che il tipo di apparecchiatura radio NFT Blizzard 2ac-90 Lite è conforme alla direttiva 2014/53/UE. Il testo completo della dichiarazione di conformità UE è disponibile al seguente indirizzo Internet: <https://www.ligowave.com/downloads>

### Latviski [Latvian]

Ar šo LigoWave deklarē, ka radioiekārta NFT Blizzard 2ac-90 Lite atbilst Direktīvai 2014/53/ES. Pilns ES atbilstības deklarācijas teksts ir pieejams šādā interneta vietnē: <https://www.ligowave.com/downloads>

### Lietuvių [Lithuanian]

LigoWave patvirtina, kad radijo įrenginys NFT Blizzard 2ac-90 Lite atitinka Direktyvą 2014/53/ES. Visas ES atitikties deklaracijos tekstas prieinamas šiuo interneto adresu: <https://www.ligowave.com/downloads>

### Malti [Maltese]

B'dan, LigoWave, niddikjara li dan it-tip ta' taghmir tar-radju NFT Blizzard 2ac-90 Lite huwa konformi mad-Direttiva 2014/53/UE. It-test kollu tad-dikjarazzjoni ta' konformita tal-UE huwa disponibbli f'dan l-indirizz tal-Internet li gej: <https://www.ligowave.com/downloads>

### Norsk [Norwegian]

LigoWave erklærer herved at utstyret denne NFT Blizzard 2ac-90 Lite enheten er i samsvar med de grunnleggende krav og øvrige relevante krav i direktiv 2014/53/EU. Den fulle teksten til EU-samsvarserklæringen er tilgjengelig på følgende internetadresse: <https://www.ligowave.com/downloads>

### Slovensky [Slovak]

LigoWave týmto vyhlasuje, že rádiové zariadenie typu NFT Blizzard 2ac-90 Lite je v súlade so smernicou 2014/53/EÚ. Úplné EÚ vyhlásenie o zhode je k dispozícii na tejto internetovej adrese: <https://www.ligowave.com/downloads>

### Slovenski [Slovenia]

LigoWave potrjuje, da je tip radijske opreme NFT Blizzard 2ac-90 Lite skladen z Direktivo 2014/53/EU. Celotno besedilo izjave EU o skladnosti je na voljo na naslednjem spletnem naslovu: <https://www.ligowave.com/downloads>

### Svenska [Swedish]

Härmed försäkras LigoWave att denna typ av radioustrüstning NFT Blizzard 2ac-90 Lite överensstämmer med direktiv 2014/53/EU. Den fullständiga texten till EU-försäkran om överensstämmelse finns på följande webbadress: <https://www.ligowave.com/downloads>

### Español [Spanish]

Por la presente, LigoWave declara que el tipo de equipo radioeléctrico NFT Blizzard 2ac-90 Lite es conforme con la Directiva 2014/53/UE. El texto completo de la declaración UE de conformidad está disponible en la dirección Internet siguiente: <https://www.ligowave.com/downloads>

### Polski [Polish]

LigoWave niniejszym oświadcza, że typ urządzenia radiowego NFT Blizzard 2ac-90 Lite jest zgodny z dyrektywą 2014/53/UE. Pełny tekst deklaracji zgodności UE jest dostępny pod następującym adresem internetowym: <https://www.ligowave.com/downloads>

### Português [Portuguese]

O(a) abaixo assinado(a) LigoWave declara que o presente tipo de equipamento de rádio NFT Blizzard 2ac-90 Lite está em conformidade com a Diretiva 2014/53/UE. O texto integral da declaração de conformidade está disponível no seguinte endereço de Internet: <https://www.ligowave.com/downloads>

### Român [Romanian]

Prin prezenta, LigoWave declară că tipul de echipament radio NFT Blizzard 2ac-90 Lite este în conformitate cu Directiva 2014/53/UE. Textul integral al declarației UE de conformitate este disponibil la următoarea adresă internet: <https://www.ligowave.com/downloads>



## Contact information

### Technical support

If you encounter problems when installing or using this product, please consult the LigoWave website at [www.LigoWave.com](http://www.LigoWave.com) for:

- Direct contact to the LigoWave support centers.
- Frequently Asked Questions (FAQ).
- Download area for the latest software, user documentation and product updates.

**EU office:**  
Zalgirio st. 92,  
Entrance 1, Floor III  
Vilnius, LT-09303,  
Lithuania  
support@ligowave.com

**US office:**  
Ligowave  
138 Mountain Brook Drive  
Canton, GA 30115  
United States of America  
For support: support@ligowave.com  
For sales enquiries: sales@ligowave.com

**Manufacturer:**  
LigoWave Inc. Limited,  
UnitD, 16/F, MG Tower,  
133 Hoi Bun Road,  
Kwun Tong,  
Kowloon,  
Hong Kong

## **FCC Statement**

1. This device complies with Part 15 of the FCC Rules. Operation is subject to the following two conditions:

(1) This device may not cause harmful interference.

(2) This device must accept any interference received, including interference that may cause undesired operation.

2. Changes or modifications not expressly approved by the party responsible for compliance could void the user's authority to operate the equipment.

### **NOTE:**

This equipment has been tested and found to comply with the limits for a Class B digital device, pursuant to Part 15 of the FCC Rules.

These limits are designed to provide reasonable protection against harmful interference in a residential installation.

This equipment generates uses and can radiate radio frequency energy and, if not installed and used in accordance with the instructions, may cause harmful interference to radio communications. However, there is no guarantee that interference will not occur in a particular installation. If this equipment does cause harmful interference to radio or television reception, which can be determined by turning the equipment off and on, the user is encouraged to try to correct the interference by one or more of the following measures:

Reorient or relocate the receiving antenna.

Increase the separation between the equipment and receiver.

Connect the equipment into an outlet on a circuit different from that to which the receiver is connected.

Consult the dealer or an experienced radio/TV technician for help.

This modular complies with FCC RF radiation exposure limits for an uncontrolled environment. This transmitter must not be co-located or operating in conjunction with any other antenna or transmitter. This modular must be installed and operated with a minimum distance of 35 cm between the radiator and user body.

## **IC STATEMENT**

This device complies with Industry Canada licence-exempt RSS standard(s)

Operation is subject to the following two conditions:

(1) This device may not cause interference, and

(2) This device must accept any interference, including interference that may cause undesired operation of the device.

This equipment complies with IC radiation exposure limits set forth for an uncontrolled environment. End user must follow the specific operating instructions for satisfying RF exposure compliance. This transmitter must not be co-located or operating in conjunction with any other antenna or transmitter.

Ce dispositif est conforme aux normes autoriser-exemptes du Canada RSS d'industrie

L'exploitation est autorisée aux deux conditions suivantes :

(1) l'appareil ne doit pas produire de brouillage, et

(2) l'utilisateur de l'appareil doit accepter tout brouillage radioélectrique subi, même si le brouillage est susceptible d'en compromettre le fonctionnement. Cet équipement

est conforme avec l'exposition aux radiations IC définies pour un environnement

non contrôlé. L'utilisateur final doit respecter les instructions de fonctionnement spécifiques pour satisfaire la conformité aux expositions RF. Cet émetteur ne doit pas être co-localisées

ou opérant en conjonction avec une autre antenne ou transmetteur.