



Model 1340 LEVER ACTION PUMP



OWNER/OPERATOR RESPONSIBILITY

IT IS THE OWNER/OPERATOR RESPONSIBILITY TO PROPERLY USE AND MAINTAIN THIS EQUIPMENT.

THE INSTRUCTIONS AND WARNINGS CONTAINED IN THIS MANUAL SHALL BE READ AND UNDERSTOOD BY THE OWNER/OPERATOR PRIOR TO OPERATING THIS EQUIPMENT.

IF AN OWNER/OPERATOR DOES NOT UNDERSTAND ENGLISH, THE CONTENTS OF THIS MANUAL SHALL BE EXPLAINED IN THE OWNER/OPERATOR NATIVE LANGUAGE TO ASSURE THE OWNER/OPERATOR COMPREHENDS.

IT IS THE OWNER/OPERATOR RESPONSIBILITY TO MAINTAIN THE LEGIBILITY OF ALL WARNING AND INSTRUCTION LABELS.

THE OWNER/OPERATOR SHALL RETRAIN THIS MANUAL FOR FUTURE REFERENCE TO IMPORTANT WARNINGS, OPERATING AND MAINTENANCE INSTRUCTIONS.

DESCRIPTION

OIL PUMP FOR USE WITH OIL BASED FLUIDS, HEATING OILS, MOTOR OILS, HEAVY & LIGHT OILS, DIESEL & KEROSENE. NON RETURN SEAL IS NBR. NOT SUITABLE FOR USE WITH WATER BASED FLUIDS, SOLVENTS, ACIDS, ANTIFREEZE, GASOLINE ETC

ANTIFREEZE BARREL PUMP FOR USE WITH ANTIFREEZE, SOLVENTS, THINNERS, AUTOMOTIVE ADDITIVES, INDUSTRIAL CHEMICALS, OIL BASED FLUIDS & OTHER NON CORROSIVE LIQUIDS. NON RETURN SEAL IS VITON RUBBER. NOT SUITABLE FOR USE WITH WATER BASED FLUIDS, CORROSIVE MEDIA, GASOLINE ETC

OUTLET DISCHARGE SPOUT HAS A BUILT-IN ALUMINUM DIE CAST NON DRIP ATTACHMENT.

THE OUTLET SPOUT HAS A WELDED STEEL HOLDER WHICH PERFORMS A DUAL ROLE:

- 1) COVER OUTLET WHEN PUMP IS NOT IN USE.
- 2) HOLDER FOR HANGING BUCKETS/CONTAINERS.

PRODUCT BRIEF

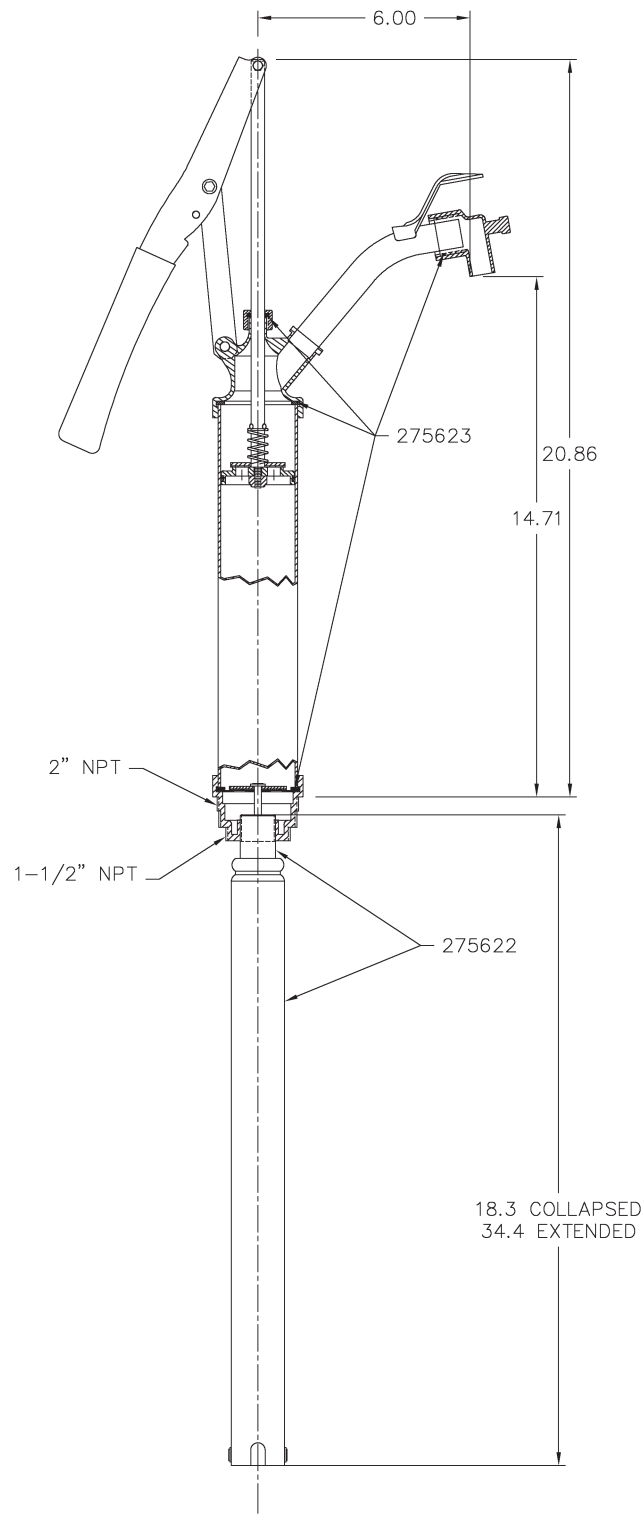
- PREMIUM POWDER COATED STEEL PUMP BODY WITH RIBBED SECTION ALUMINIUM DIE CAST PUMP HEAD
- BUILT-IN 1.1/2" & 2" BUNG FOR USE ON DRUMS WITH EITHER OPENINGS
- PLATED STEEL LEVER HANDLE WITH RUBBER GRIP FOR CONVENIENCE
- WEAR RESISTANT BRASS PISTON RINGS FITTED ONTO ZINC DIE CAST PISTON
- COMES COMPLETE WITH CURVED METAL SPOUT & TELESCOPIC SUCTION TUBE FOR USE ON 15 GALLON (50 LITRES) - 55 GALLON (205 LITRE) BARRELS

WETTED COMPONENTS

STEEL, ALUMINUM, ZINC, BRASS, NBR & VITON

SPECIFICATIONS:

OUTPUT APPROXIMATELY .42 QUART (400ML)\STROKE



Service Parts

Part	Description	Part	Description
275622	Tube Kit	275623	Seal Kit

Model 1340 LEVER ACTION PUMP



Lincoln Industrial Standard Warranty

LIMITED WARRANTY

Lincoln warrants the equipment manufactured and supplied by Lincoln to be free from defects in material and workmanship for a period of one (1) year following the date of purchase, excluding therefrom any special, extended, or limited warranty published by Lincoln. If equipment is determined to be defective during this warranty period, it will be repaired or replaced, within Lincoln's sole discretion, without charge.

This warranty is conditioned upon the determination of a Lincoln authorized representative that the equipment is defective. To obtain repair or replacement, you must ship the equipment, transportation charges prepaid, with proof of purchase to a Lincoln Authorized Warranty and Service Center within the warranty period.

This warranty is extended to the original retail purchaser only. This warranty does not apply to equipment damaged from accident, overload, abuse, misuse, negligence, faulty installation or abrasive or corrosive material, equipment that has been altered, or equipment repaired by anyone not authorized by Lincoln. This warranty applies only to equipment installed, operated and maintained in strict accordance with the written specifications and recommendations provided by Lincoln or its authorized field personnel.

THIS WARRANTY IS EXCLUSIVE AND IS IN LIEU OF ANY OTHER WARRANTIES, EXPRESS OR IMPLIED, INCLUDING, BUT NOT LIMITED TO, THE WARRANTY OF MERCHANTABILITY OR WARRANTY OF FITNESS FOR A PARTICULAR PURPOSE.

In no event shall Lincoln be liable for incidental or consequential damages. Lincoln's liability for any claim for loss or damages arising out of the sale, resale or use of any Lincoln equipment shall in no event exceed the purchase price. Some jurisdictions do not allow the exclusion or limitation of incidental or consequential damages, therefore the above limitation or exclusion may not apply to you.

This warranty gives you specific legal rights. You may also have other rights that vary by jurisdiction.

Customers not located in the Western Hemisphere or East Asia: Please contact Lincoln GmbH & Co. KG, Walldorf, Germany, for your warranty rights.

Lincoln Industrial Special Limited Warranties

SPECIAL LIMITED 2 YEAR WARRANTY

SL-V Series, Single Injectors-85772, 85782, and Replacement Injectors-85771, 85781

Lincoln warrants the SL-V Injector series to be free from defects in material and workmanship for two (2) years following the date of purchase. If an injector model (single or replacement) is determined to be defective by Lincoln, in its sole discretion, during this warranty period, it will be repaired or replaced, at Lincoln's discretion, without charge.

SPECIAL LIMITED 5 YEAR WARRANTY

Series 20, 25, 40 Bare Pumps, Heavy Duty and 94000 Series Bare Reels

Lincoln warrants series 20, 25, 40 bare pumps, and Heavy Duty and 87000 series (94100, 94300, 94500) bare reels to be free from defects in material and workmanship for five (5) years following the date of purchase. If equipment is determined by Lincoln, in its sole discretion, to be defective during the first year of the warranty period, it will be repaired or replaced at Lincoln's discretion, without charge. In years two (2) and three (3), the warranty on this equipment is limited to repair with Lincoln paying parts and labor only. In years four (4) and five (5), the warranty on this equipment is limited to repair with Lincoln paying for parts only.

To find Lincoln Industrial's Nearest Service Center call one of the following numbers, you may also use our website

Customer Service 314-679-4200
Website lincolnindustrial.com

Americas: One Lincoln Way St. Louis, MO 63120-1578 USA Phone +1.314.679.4200 Fax +1.800.424.5359	Europe/Africa: Heinrich-Hertz-Str 2-8 D-69183 Walldorf Germany Phone +49.6227.33.0 Fax +49.6227.33.259	Asia/Pacific: 51 Changi Business Park Central 2 #09-06 The Signature Singapore 486066 Phone +65.6588.0188 Fax +65.6588.3438	© Copyright 2007 Printed in USA Web site: www.lincolnindustrial.com
---	---	---	--