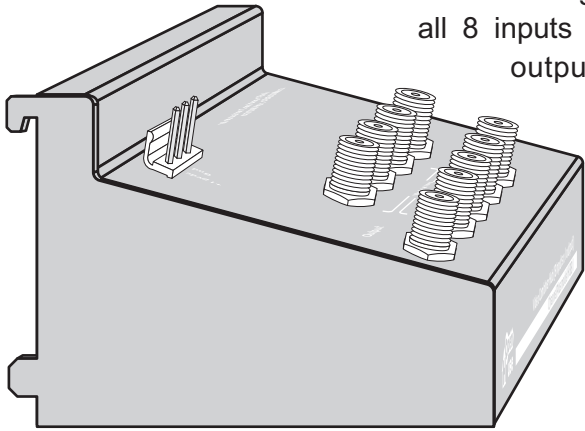


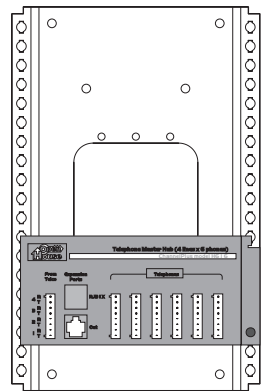
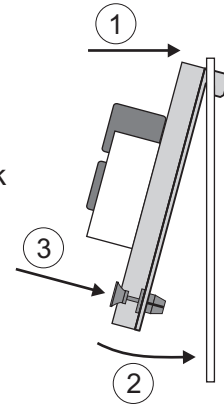
ChannelPlus Modulator Combiner Hub

The H881 modulator combiner hub has inputs for 8 modulators for distribution through a coax panel. Signals from all 8 inputs are combined into a single output. This output can be connected to the modulator input of a coax panel such as the H838HHR or H838BID. When used with the H838, each of 8 locations has a broadband feed as well as the ability to insert channels into the system.

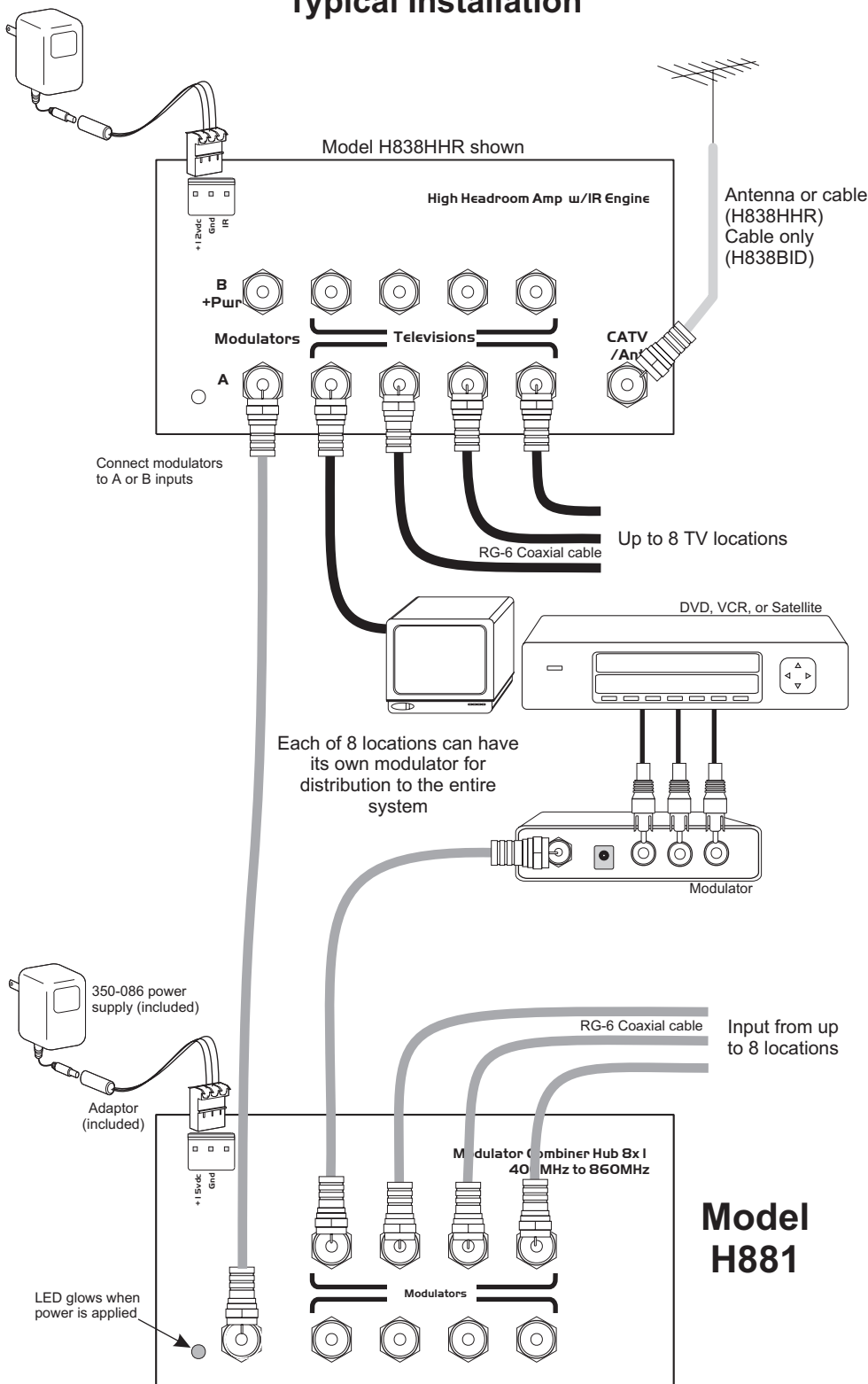


OpenHouse™ modules attach from the top

- 1) Hook from the top
- 2) Swing into place
- 3) Push button to lock



Typical Installation



Things To Watch For:

No picture ... Check that the TV and the modulator are tuned to the same channel. For example, if the modulator is broadcasting on UHF channel 16, make sure the TV is on UHF 16 rather than CATV 16. UHF 16 and CATV 16 are at different frequencies.

Weak ChannelPlus UHF channel ... If the TV has a separate UHF input, be sure that it is connected.

Herringbone interference on modulator channel (diagonal lines): You may have chosen a channel number that is not completely vacant. Distant UHF stations may not be watchable, but will cause interference if you try to create a new channel at the same frequency. Also, cable companies often have extra signals where there should be none. Try moving the modulator channel to another number. You may have to add a low pass filter to remove the cable company noise. If the filter does not work, try adding a DC-block to remove common mode interference.

Herringbone interference on many channels, including modulated channel (disappears when you remove the CATV/antenna feed): The RF amplifier can be overloaded by abnormally strong signals. Often, you can cure the problem with a simple attenuator. Use a variable attenuator and try to find a signal level where the interference just disappears. Sometimes, the problem is one station is far stronger than the rest. In this case, attenuating all of the signals with a simple attenuator may cause the desired stations to be weak (snowy). You must reduce the strength of the only offending station. A common FM trap will help if the problem is a nearby FM tower. If the problem is a nearby TV station, often the station management can provide suitable filters.

Audio volume is low ... The left and right audio inputs are combined for monaural. For proper audio level, both right and left inputs must be used. If you have a mono source, connect it to both right and left inputs using an RCA 'Y' connector.

No color on ChannelPlus channels ... You may have chosen the incorrect cable standard. Not all televisions can accommodate the 1.25MHz frequency difference between the H and I cable standards. See the section on programming.

Specifications: typical @ 25°C ± 5° C

Number of modulator inputs	8
Gain, modulator input to output	~1dB
Bandwidth	400-860MHz
Nominal modulator input level	25dBmV
Maximum number of modulated channels	16
Power supply (370-086 included)	15 VDC @ 300mA

The H881 modulator combiner hub work like a zero-loss combiner. The modulated signals you put on the inputs will appear on the outputs with about 1dB of gain. When the output of the H881 is connected to one of the modulator inputs of the H838, signals will automatically appear on the outputs of the H838 at an FCC legal level.

Note: The H881 does not pass IR information. To control a modulator from a remote location, use a modulator with IR control such as the H564 and connect to the B+pwr input of the H838.

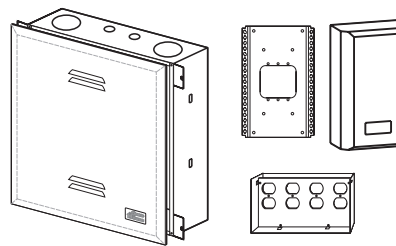


Compatible

ChannelPlus Enclosures, Modules, Accessories & Wall Plates

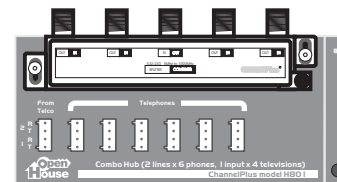
Service center enclosures

A full line of OpenHouse compatible enclosures, from simple, inexpensive mounting plates to high capacity in-wall cabinets. AC outlets can be mounted inside the cabinets using a UL listed accessory.



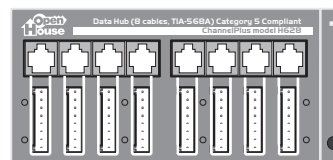
Starter systems

RF splitters and telephone punch downs. When it is time to upgrade, just snap this module out and replace with one of more of the more sophisticated units.



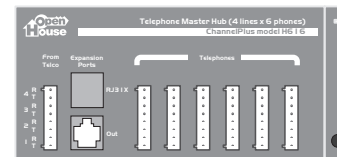
Data hubs

Termination blocks for the CAT-5 cables, Ethernet hubs. Bring the Internet to any room in the home. Or create a home data network.



Telephone hubs

Connections for 1-4 phone lines to every room. Starter hub adds RJ-31X jack for security system dialer.



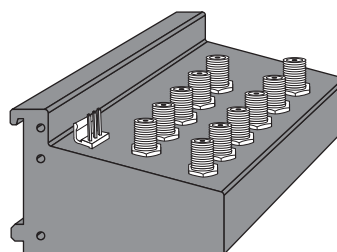
Wall plates

Wall plate systems for all rooms. The typical room gets TV and telephone. The Home office wall plate adds data ports. The media center wall plate adds satellite feeds.



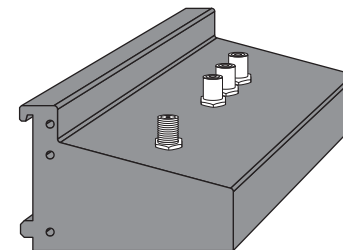
Coax panels

Distribute antenna or cable TV to every room of the house. Some models include bi-directional amplifiers for interactive cable systems. Some models include modulator inputs and IR engines.



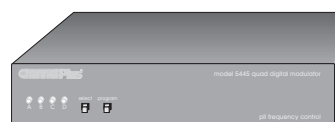
AV modulators (for service center)

Create a new TV channel for a front door camera. Some models feature Cat-5 input connections.



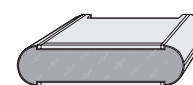
AV modulators (for media center)

Create new TV channels for DVD, VCR, or a satellite receiver. These modulators sit in the media center. Some offer true MTS stereo.



IR Accessories

Control video devices from any room.



New OpenHouse products are added all the time. Visit our website to learn more: www.openhousesystem.com

- Good ...
- Typical room - phone, TV
- Media center - phone, satellite receiver, AV modulators
- Home office - phone, TV, cable modem
- Better ...
- Typical room - phone, TV, ethernet
- Media center - phone, TV, ethernet, satellite receiver, AV modulators
- Home office - phone, TV, ethernet, cable modem
- Best ...
- Typical room - phone, TV, ethernet, satellite receiver
- Media center - phone, TV, ethernet, satellite receiver, AV modulators, hi-speed data
- Home office - phone, TV, ethernet, satellite receiver, cable modem, hi-speed data

	Good	Better	Best
Typical Room	1 Cat-5	2 Cat-5	2 Cat-5
Media Center	1 Cat-5	2 Cat-5	3 Cat-5
Home Office	1 Cat-5	2 Cat-5	3 Cat-5
	2 RG-6	2 RG-6	2 RG-6
	3 RG-6	3 RG-6	3 RG-6

Wiring a house for OpenHouse

The cables in an OpenHouse run from the various rooms of the house directly to the service center location. (This is known as 'home run' wiring.) Two types of wire are used for communication and entertainment: Cat-5, 4-UTP (4 Unshielded Twisted Pairs) wire handles data or 1 to 4 telephone lines. RG-6 coax handles television (antenna or cable), satellite dish, cable modem, or AV modulator signals. (An AV modulator creates new TV channels for front door camera, DVD player, a VCR or a satellite receiver.)

We recommend the following pre-wire schemes. Run these wires from the service center to the rooms indicated.

Modulator Combiner Hub H881



www.channelplus.com

Warranty

Multiplex Technology, Inc. warrants this product to be free from defects in materials and workmanship for a period of one year from the date of purchase or MTI will repair, or at its option, replace the defective product. To obtain warranty service, call MTI for a return material authorization (RMA) number and return the product prepaid

Attention: Customer Service. Please put the RMA number on the outside of the carton.

Any implied warranty arising from the sale of the product including implied warranties of merchantability and fitness for purpose are limited to the warranty stated above. MTI shall not be responsible for losses or damages or expenses, whether direct, consequential or incidental arising from the use of or the inability to use this product. Some states do not allow limitations on how long the implied warranty lasts or the exclusion or limitation or incidental or consequential damages, so the above limitations and exclusions may not apply to you. This warranty gives you specific legal rights, and you may have other rights which may vary from state to state.