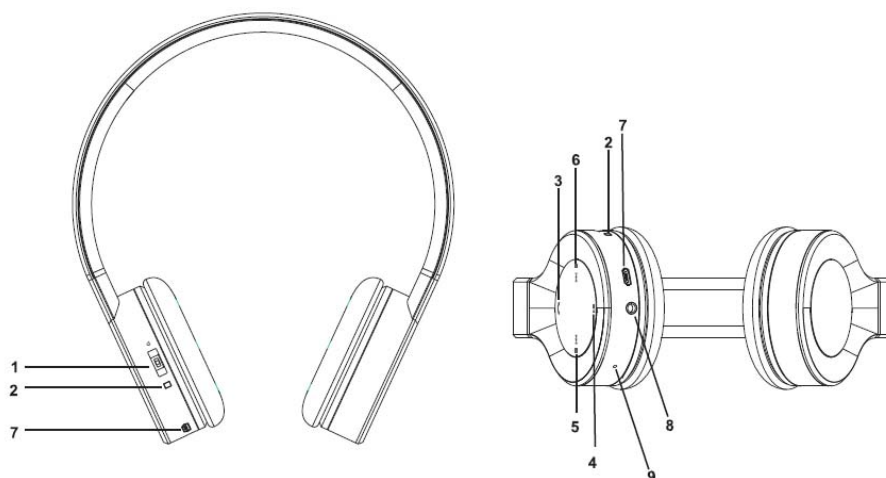


## USER MANUAL



1. ON-OFF( Power ON/OFF,Automatically get into pairing status)
2. LED light
  - a. Blue lights flashing slowly after power is turned on, Red and blue alternately flash after pairing,slow flash recovery after paring is successful
  - b. The battery indicator: red lights flash at low battery status,red lights keep always bright when charging. Red lights off after finishing charging.
3. Single click the button to answer and hang up a income call,double-click the button to dial the last number dialed,Press to refuse a income call.
4. Single click for last song(rewind), press for volume up
5. Single click for next song(fast forward), press for volume down
6. Single click for Pause/Play
7. Micro 5 pin USB port for power charging
8. Aux in
9. Microphone

### FCC warning statement

This equipment has been tested and found to comply with the limits for a Class B digital device, pursuant to part 15 of the FCC Rules. These limits are designed to provide reasonable protection against harmful interference in a residential installation. This equipment generates, uses and can radiate radio frequency energy and, if not installed and used in accordance with the instructions, may cause harmful interference to radio communications. However, there is no guarantee that interference will not occur in a particular installation. If this equipment does cause harmful interference to radio or television reception, which can be determined by turning the equipment off and on, the user is encouraged

to try to correct the interference by one or more of the following measures:

- Reorient or relocate the receiving antenna.
- Increase the separation between the equipment and receiver.
- Connect the equipment into an outlet on a circuit different from that to which the receiver is connected.
- Consult the dealer or an experienced radio/TV technician for help.

Caution: Any changes or modifications to this device not explicitly approved by manufacturer could void your authority to operate this equipment.

This device complies with part 15 of the FCC Rules. Operation is subject to the following two conditions: (1) This device may not cause harmful interference, and (2) this device must accept any interference received, including interference that may cause undesired operation.