

**SHARPER
IMAGE®**

Bluetooth Headphone



User Guide

SBT641

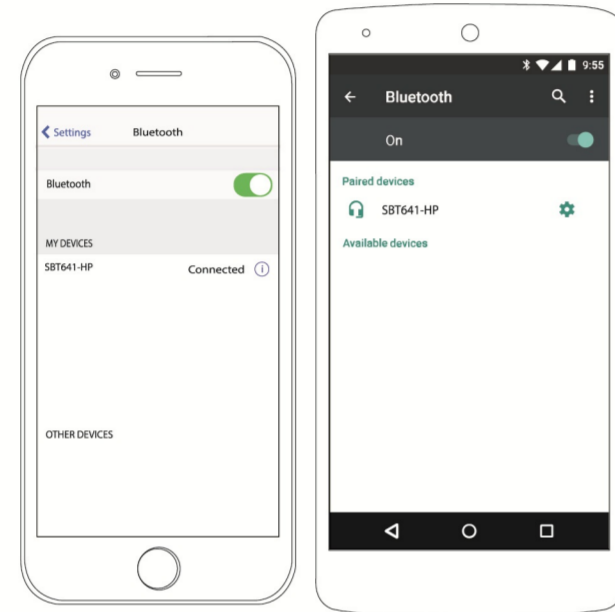
Pairing the Headphones

1. Long press the [⏻] button to power ON. The LED indicator will flash **RED** and **BLUE**.
2. Set your mobile device to search for Bluetooth devices. Select **SBT641-HP** from the list of found devices.
3. After a successful pairing, a tone will be heard indicating that the device is paired and the LED indicator will slowly flash **BLUE**.

i If a previously paired device is in range when the headphones are turned on, the headphones will connect to it automatically.

On an iOS or Android Device

- Go to **Settings -> Bluetooth**



i The screenshots above are typical of many Bluetooth-enabled devices in the market today, and are used to assist in the explanation of the pairing process. Your Bluetooth-enabled device's interface and interaction with the headphones may differ slightly from the illustrations above.

Using the Headphones

i Make sure you charge your headphones for at least 2-3 hours before using them for the first time.

Powering ON/OFF

- To turn the headphones ON, long press the [⏻] button. A tone will be heard, indicating that the headphones are powered ON.
- To turn the headphones OFF, long press the [⏻] button.

If not in-use for 3 minutes, the headphones will go into sleep mode to conserve power. Press Power button on the earcup to wake the headphones up.

Adjusting Volume

- Long press the [+] button to increase volume. A tone will be heard if you attempt to increase the volume past maximum level.
- Long press the [-] button to decrease volume.

Playing Media

To enjoy music on your headphones, make sure you are paired to a Bluetooth-enabled device. Once paired, you can control media playback and volume adjustment with the controls on your paired device on with the headphones.

Playing/Pausing Media

- To pause media playback, press the [⏻] button.
- To resume media playback, press the [⏻] button, again.

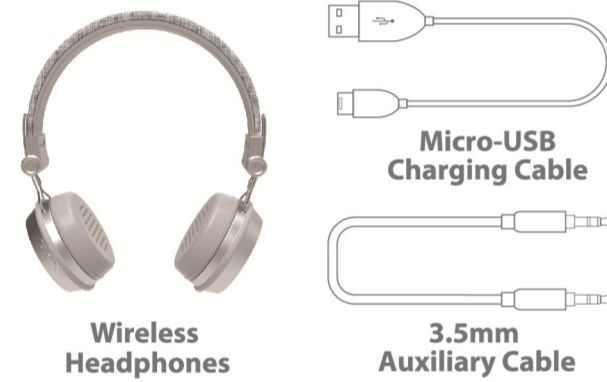
Skipping Tracks

- To skip to the previous track, quick press the [-] button.
- To skip to the next track, quick press the [+] button.

Answering/Ending Phone Calls

- To answer an incoming phone call, quick press the [⏻] button.
- To end a phone call, quick press the [⏻] button, again.
- To reject an incoming phone call, long press the [⏻] button for 2 seconds.

In the Box

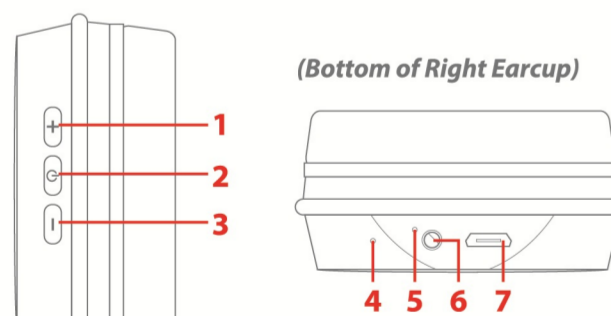


Wireless Headphones

Micro-USB Charging Cable

3.5mm Auxiliary Cable

Location of Controls



(Side of Right Earcup)

1. [+] Button:
 - Long press - Increase volume
 - Quick press - Skip to next track
2. [⏻] Button:
 - Long press - Power ON/OFF, reject incoming phone call
 - Quick press - Play/pause media playback, Answer/end phone calls
3. [-] Button:
 - Long Press - Decrease volume
 - Quick Press - Skip to previous track

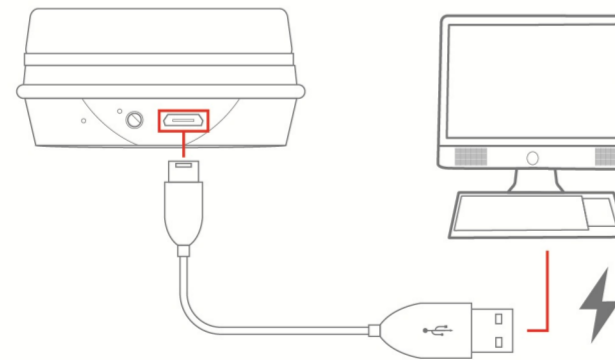
(Bottom of Right Earcup)

4. Microphone
5. LED Indicator
6. AUX-In Jack
7. 5V USB Charging Port

Charging the Headphones

To charge the headphones, attach the small connector of the supplied micro-USB cable to it. Attach the large connector to a USB port on a computer, USB charging device, or a **5V USB adapter** (not included) and plug into a wall outlet.

The LED indicator will turn **RED** while charging and turn **BLUE** when charged.

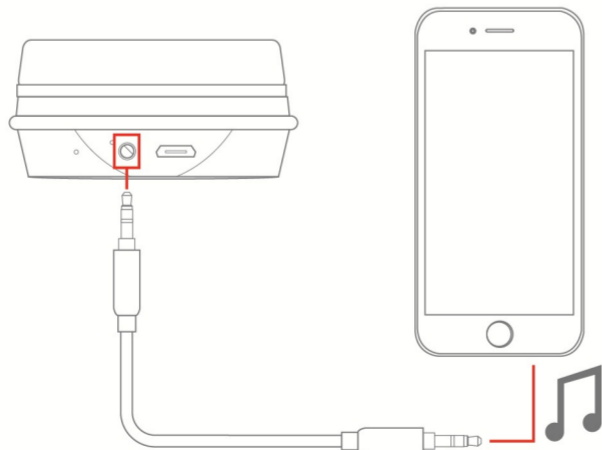


NOTE: A voice will be heard indicating that power is low when the headphones need to be recharged.

Using with a Wired Device

To use the headphones with a wired device, attach the 3.5mm auxiliary cable to the AUX-In jack on the bottom of the headphones. Attach the other end of the cable to the headphone jack on your media-playing device.

All Bluetooth connections will be disabled, volume adjustment and media playback is controlled through the connected device.



Legal Information

READ CAREFULLY AND KEEP THIS MANUAL

Note: This equipment has been tested and found to comply with the limits for a Class B digital device, pursuant to part 15 of the FCC Rules. These limits are designed to provide reasonable protection against harmful interference in a residential installation. This equipment generates, uses and can radiate radio frequency energy and, if not installed and used in accordance with the instructions, may cause harmful interference to radio communications. However, there is no guarantee that interference will not occur in a particular installation. If this equipment does cause harmful interference to radio or television reception, which can be determined by turning the equipment off and on, the user is encouraged to try to correct the interference by one or more of the following measures:

- Reorient or relocate the receiving antenna.
- Increase the separation between the equipment and receiver.
- Connect the equipment into an outlet on a circuit different from that to which the receiver is connected.
- Consult the dealer or an experienced radio/TV technician for help.

Caution: Any changes or modifications not expressly approved could void the user's authority to operate the equipment.

This device complies with Part 15 of the FCC Rules. Operation is subject to the following two conditions: (1) This device may not cause harmful interference, and (2) this device must accept any interference received, including interference that may cause undesired operation.

The device has been evaluated to meet general RF exposure requirement. The device can be used in portable exposure condition without restriction.

WARNING Li-ion Battery Inside

This product is fitted with a Li-ion battery. Do not damage, open, or dismantle the battery and do not use it in damp and/or corrosive conditions. Use only with compatible chargers. Never dispose of batteries in a fire, and never expose them to high temperatures. Do not expose the product to temperatures exceeding 60°C (140°F).



The crossed-out garbage bin symbol means that you must not dispose of this product together with unsorted household waste.

Rain/Moisture Warning

- Do not expose the unit to extreme temperatures (heat or cold), open flames, humid conditions, or wet conditions.
- Do not submerge in water.
- Do not open this product or attempt to repair the unit yourself should it not be working.

Limited Warranty

90 Days Limited Warranty

In the unlikely event that this product is defective, or does not perform properly, you may within ninety (90) days from your original date of purchase return it to the authorized service center for repair or exchange.

TO OBTAIN WARRANTY SERVICE:

- Go to our website portal to receive an SRO number.
- Provide proof of the date of purchase within the package (dated bill of sale).
- Prepay all shipping costs to the authorized service center, and remember to insure your return.
- Include a return shipping address (no P.O. Boxes), a telephone contact number, and the defective unit within the package.
- Describe the defect or reason you are returning the product.

Your product will be repaired or replaced, at our option, for the same or similar model of equal value if examination by the service center determines this product is defective. Products received damaged as a result of shipping will require you to file a claim with the carrier.

The shipping address of the authorized service center is:

Customer Service Dept. 36
c/o Southern Telecom
400 Kennedy Drive
Sayreville NJ 08872

Should have any questions or problems concerning this product, please visit our website at:

SouthernTelecom.com
Click on **Product Support**

Questions and Customer Support

For further assistance or trouble shooting, please visit our website:

SouthernTelecom.com
Click on **Product Support**

Warranty Service Not Provided

This warranty does not cover damage resulting from accident, misuse, abuse, improper installation or operation, lack of reasonable care, and unauthorized modification. This warranty is voided in the event any unauthorized person opens, alters or repairs this product. All products being returned to the authorized service center for repair must be suitably packaged.

Limitation of Warranty

THE WARRANTY STATED ABOVE IS THE ONLY WARRANTY APPLICABLE TO THIS PRODUCT. ALL OTHER WARRANTIES, EXPRESS OR IMPLIED (INCLUDING ALL IMPLIED WARRANTIES OF MERCHANTABILITY OR FITNESS FOR A PARTICULAR PURPOSE) ARE HEREBY DISCLAIMED. NO VERBAL OR WRITTEN INFORMATION GIVEN BY AIT, INC. ITS AGENTS, OR EMPLOYEES SHALL CREATE A GUARANTY OR IN ANY WAY INCREASE THE SCOPE OF THIS WARRANTY.

REPAIR OR REPLACEMENT AS PROVIDED UNDER THIS WARRANTY IS THE EXCLUSIVE REMEDY OF THE CONSUMER. AIT, INC. SHALL NOT BE LIABLE FOR INCIDENTAL OR CONSEQUENTIAL DAMAGES RESULTING FROM THE USE OF THIS PRODUCT OR ARISING OUT OF ANY BREACH OF ANY EXPRESS OR IMPLIED WARRANTY ON THIS PRODUCT. THIS DISCLAIMER OF WARRANTIES AND LIMITED WARRANTY ARE GOVERNED BY THE LAWS OF THE STATE OF NEW YORK. EXCEPT TO THE EXTENT PROHIBITED BY APPLICABLE LAW, ANY IMPLIED WARRANTY OF MERCHANTABILITY OR FITNESS FOR A PARTICULAR PURPOSE ON THIS PRODUCT IS LIMITED TO THE APPLICABLE WARRANTY PERIOD SET FORTH ABOVE.

Some states do not allow the exclusion nor limitation of incidental or consequential damages, or limitations on how long an implied warranty lasts so the above limitations on exclusions may not apply to you. This warranty gives you specific legal rights, and you also may have other rights that vary from state to state.

2017 Sharper Image® name and logo are registered trademarks. Manufactured, marketed, and distributed under license by Southern Telecom, Inc. Brooklyn, NY 11220. © Sharper Image. All Rights Reserved.

SHARPER IMAGE® Printed in China
v1.08/2017