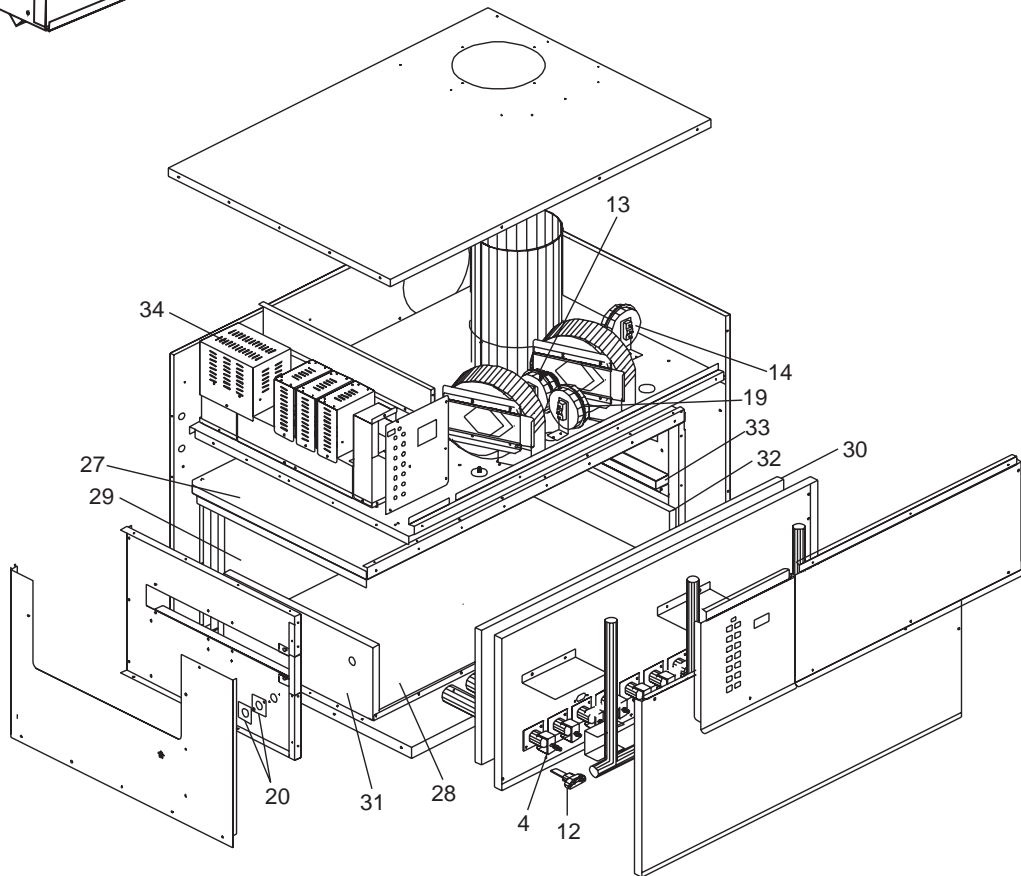
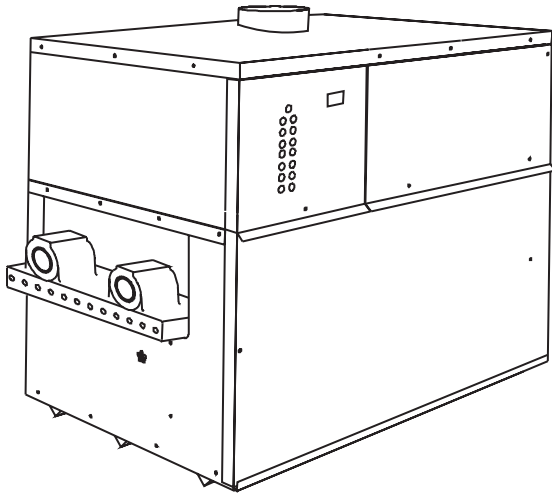




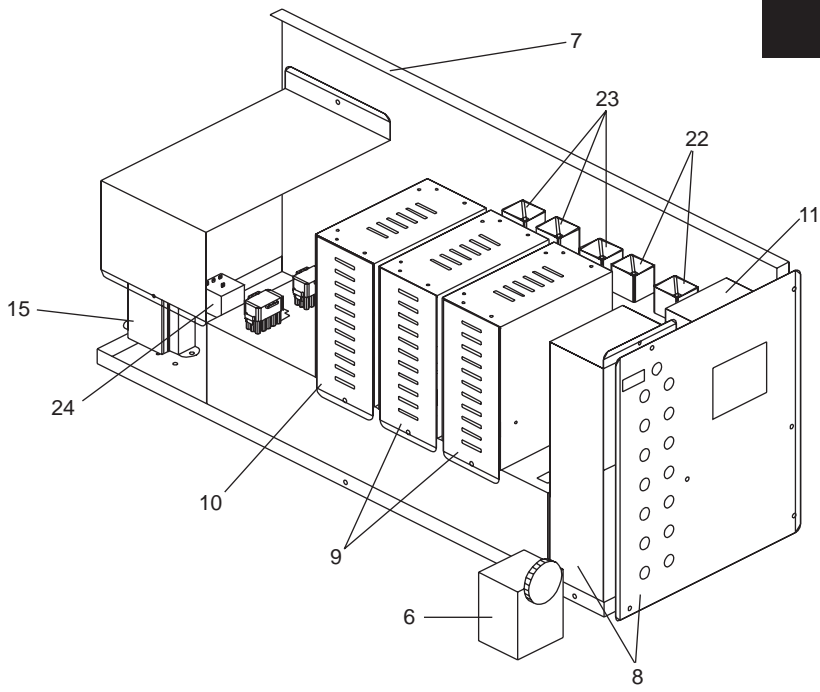
PARTS DEPOT
 Nashville, Tennessee
 615-889-8900 • Fax: 615-547-1000
 www.Lochinvar.com

Replacement Parts List

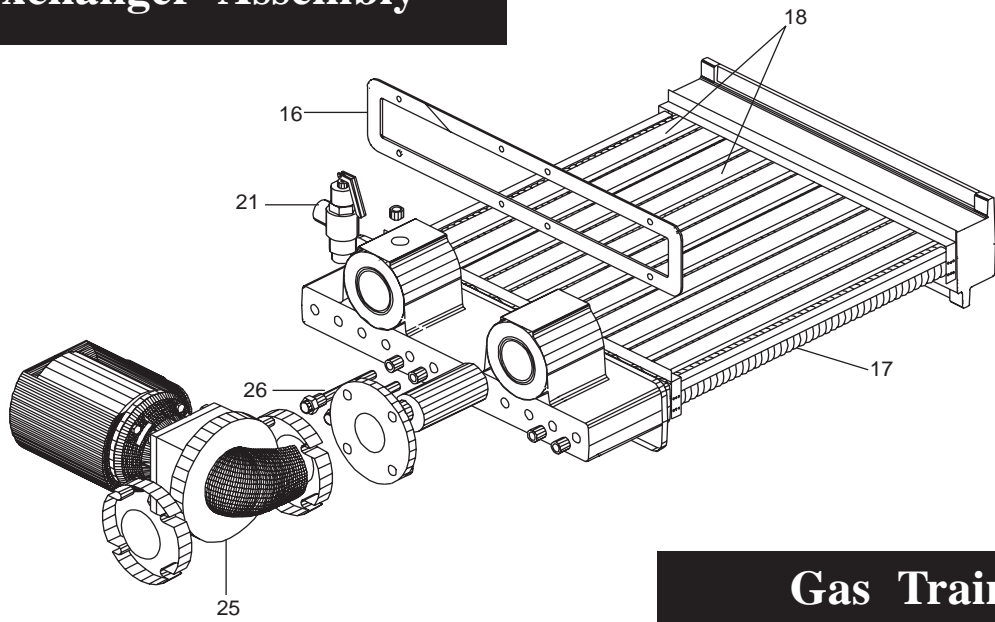
Copper-Fin II[®]
Boilers — Water Heaters & Pool Heaters
CH—CF—CP — 990-2070
Beginning Serial Number: G936199 to Present



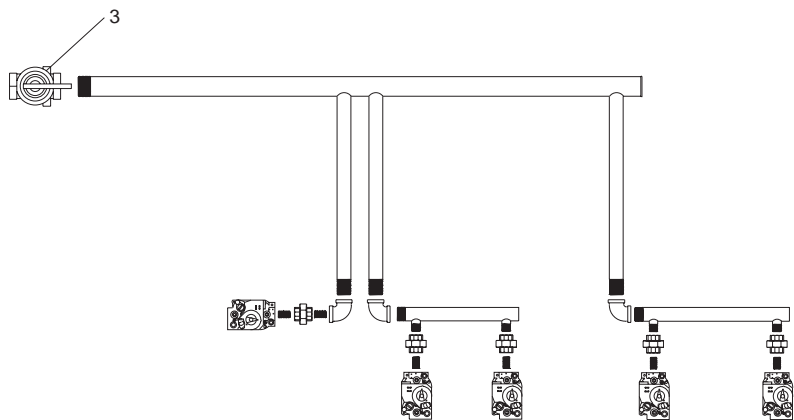
Control Panel



Heat Exchanger Assembly



Gas Train



ITEM NO.	PART NO.	DESCRIPTION	MODEL NO.
Gas Train Assemblies			
1	KIT #	BNR2404:	BNR3501: BNR3502:
	BNR3410	9ea.	1ea. 1ea.
	BNR3411	12ea.	1ea. 1ea.
	BNR3412	14ea.	1ea. 1ea.
	BNR3413	17ea.	1ea. 2ea.
	BNR3414	20ea.	1ea. 2ea.
			BNR2404 is Main Burner
			BNR3501 is Main Burner Connected Thermocouple Compression Fitting
			BNR3502 is Main Burner w/ Pressure Tap, Barbed Fitting
4	ORF2413	ORIFICE, NAT.	ALL
4	ORF2405	ORIFICE, LPG.	ALL
5	VAL3403	VALVE, GAS NAT.	ALL
5	VAL3404	VALVE, GAS LPG.	ALL
Controls & Gauges			
6	HLC2701	HIGH LIMIT	CF
6	HLC2702	HIGH LIMIT MANUAL RESET	CH
--	MSC2420	TERMINAL STRIP 6 POLE	ALL
--	MSC2447	CIRCUIT BREAKER 7 AMP.	ALL
7	PAN3000	CONTROL PANEL COMPLETE	ALL
8	PAN3001	LIGHT ASSEMBLY W/FRONT ESCUTCHEON	ALL
--	MSC2448	LIGHT, INDICATOR 120V.	ALL
--	MSC2449	LIGHT, INDICATOR 28V.	ALL
9	RLY3002	IGNITION MODULE	ALL
10	RLY3003	TIME DELAY MODULE	ALL
11	TST3004	ELECTRONIC THERMOSTAT CONTROL	ALL
11	TST3006	ELECT. THERMOSTAT CONTROL, W/INDOOR/OUTDOOR SENSORS	OPTIONAL
--	WRE2416	SENSOR	ALL
--	HLC2503	110° HI LIMIT (POOL PIPING)	CP
--	HLC2501	200° HI LIMIT (OUTLET SIDE) BEGINNING SERIAL # A980000	
12	PLT3400	HOT SURFACE IGNITOR	ALL
13	PRS2416	PRESSURE SWITCH, DUAL	ALL
14	PRS2417	PRESSURE SWITCH, LOW AIR	ALL
--	PRS2406	PRESSURE SWITCH, POOL HEATER	CP
15	TRF2701	TRANSFORMER 150V.A.	ALL
--	WTR2041	SWITCH, FLOW OUTDOOR	CF/CH
--	MSC2426	SWITCH, MAIN POWER	ALL
--	MSC2706	TUBING, EDPM 1/4" (ORDER BY THE FOOT)	ALL
--	MSC2461	TUBING, SILICONE (ORDER BY THE FOOT)	ALL
--	MSC2406	TUBING, EDPM 1/8" (ORDER BY THE FOOT)	ALL
Heat Exchangers			
16	GKT2418	GASKET, HEAT SHIELD	ALL
17	HEX3420	HEAT EXCHANGER H (CF & CP before serial F00 & All CH)	990
17	HEX3421	HEAT EXCHANGER H (CF & CP before serial F00 & All CH)	1260
17	HEX3422	HEAT EXCHANGER H (CF & CP before serial F00 & All CH)	1440
17	HEX3423	HEAT EXCHANGER H (CF & CP before serial F00 & All CH)	1800
17	HEX3424	HEAT EXCHANGER H (CF & CP before serial F00 & All CH)	2070
17	HEX3000	HEAT EXCHANGER HLW (After Serial # F00)	CF/CP990
17	HEX3001	HEAT EXCHANGER HLW (After Serial # F00)	CF/CP1260
17	HEX3002	HEAT EXCHANGER HLW (After Serial # F00)	CF/CP1440
17	HEX3003	HEAT EXCHANGER HLW (After Serial # F00)	CF/CP1800
17	HEX3004	HEAT EXCHANGER HLW (After Serial # F00)	CF/CP2070
18	JKE6078	V-BAFFLE (9 PER UNIT)	990
18	JKE6079	V-BAFFLE (9 PER UNIT)	1260
18	JKE6080	V-BAFFLE (9 PER UNIT)	1440
18	JKE6081	V-BAFFLE (9 PER UNIT)	1800
18	JKE6082	V-BAFFLE (9 PER UNIT)	2070
35	JKE6159	V-BAFFLE FRAME RUNNER	990
35	JKE6160	V-BAFFLE FRAME RUNNER	1260
35	JKE6161	V-BAFFLE FRAME RUNNER	1440
35	JKE6162	V-BAFFLE FRAME RUNNER	1800
35	JKE6163	V-BAFFLE FRAME RUNNER	2070
36	JKD6187	V-BAFFLE FRAME END	ALL
* "CONSULT FACTORY"			
NOTE: CH = BOILER, CF = WATER HEATER & CP = POOL HEATER			

ITEM NO.	PART NO.	DESCRIPTION	MODEL NO.
Miscellaneous			
19	FAN2714	FAN ASSEMBLY	ALL
--	GTP2900	PRESSURE TEMPERATURE GAUGE	CH
20	MSC3415	SIGHT GLASS & GASKET	ALL
21	RLV2001	RELIEF VALVE, PRESSURE ONLY	CH
21	RLV2007	RELIEF VALVE, TEMPERATURE & PRESSURE	CF
22	RLY2425	RELAY 120 VOLT	ALL
23	RLY2424	RELAY 24 VOLT	ALL
24	RLY2706	RELAY, POWER	ALL
25	ARM3024PBF	PUMP (Before Serial # L01)	CF
25	ARM3024PAB	PUMP (After Serial # L01 Standard)	CF
25	ARM3024PABTE	PUMP	CF
-	RLY2041	PUMP DELAY RELAY	CF
26	TST2301	WELL, THERMOSTAT	ALL
Loch-Heat® Tile			
27	FIB2441	LOCH-HEAT TILE, TOP RIGHT SIDE	990
27	FIB2442	LOCH-HEAT TILE, TOP LEFT SIDE	990
27	FIB2443	LOCH-HEAT TILE, TOP RIGHT SIDE	1260-1440
27	FIB2444	LOCH-HEAT TILE, TOP LEFT SIDE	1260
27	FIB2445	LOCH-HEAT TILE, TOP LEFT SIDE	1440
27	FIB2446	LOCH-HEAT TILE, TOP RIGHT SIDE	1800-2070
27	FIB2447	LOCH-HEAT TILE, TOP MIDDLE	1800-2070
27	FIB2448	LOCH-HEAT TILE, TOP LEFT SIDE	1800
27	FIB2449	LOCH-HEAT TILE, TOP LEFT SIDE	2070
28	FIB2471	LOCH-HEAT TILE, BOTTOM	990
28	FIB2450	LOCH-HEAT TILE, BOTTOM RIGHT	1440-2070
28	FIB2451	LOCH-HEAT TILE, BOTTOM	1260
28	FIB2452	LOCH-HEAT TILE, BOTTOM LEFT	1440
28	FIB2453	LOCH-HEAT TILE, BOTTOM LEFT	1800
28	FIB2454	LOCH-HEAT TILE, BOTTOM LEFT	2070
29	FIB2472	LOCH-HEAT TILE, BACK	990
29	FIB2455	LOCH-HEAT TILE, BACK RIGHT	1440-2070
29	FIB2456	LOCH-HEAT TILE, BACK	1260
29	FIB2457	LOCH-HEAT TILE, BACK LEFT	1440
29	FIB2458	LOCH-HEAT TILE, BACK LEFT	1800
29	FIB2459	LOCH-HEAT TILE, BACK LEFT	2070
30	FIB2460	LOCH-HEAT TILE, FRONT DOOR	990
30	FIB2461	LOCH-HEAT TILE, FRONT DOOR	1260
30	FIB2462	LOCH-HEAT TILE, FRONT DOOR RIGHT	1440
30	FIB2469	LOCH-HEAT TILE, FRONT DOOR LEFT	1440
30	FIB2463	LOCH-HEAT TILE, FRONT DOOR RIGHT	1800
30	FIB2470	LOCH-HEAT TILE, FRONT DOOR LEFT	1800
30	FIB2464	LOCH-HEAT TILE, FRONT DOOR RIGHT	2070
30	FIB2465	LOCH-HEAT TILE, FRONT DOOR LEFT	2070
31	FIB2466	LOCH-HEAT TILE, FRONT HEAD SIDE	ALL
33	FIB2468	LOCH-HEAT TILE, REAR HEAD SPACER STRIP	ALL
3	GAC2031	GAS COCK	990 & 1260
3	GAC2032	GAS COCK	1440-2070
34	PAN3401	OPTION BOX A: LOUVER RELAYw/PUMP DELAY (LVRw/P. DELAY)	ALL
34	PAN3402	OPTION BOX B: MR-LWCO, LVRw/P. DELAY	ALL

PLEASE: Have model number and serial number when ordering parts