



44487080

# 900-4RL Option Board



Installation Instructions



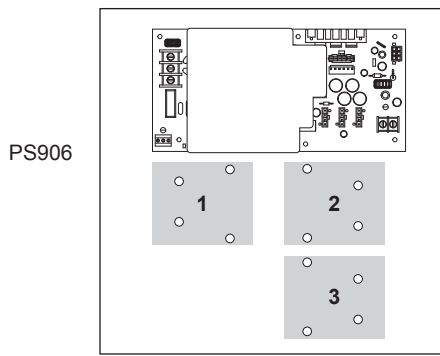
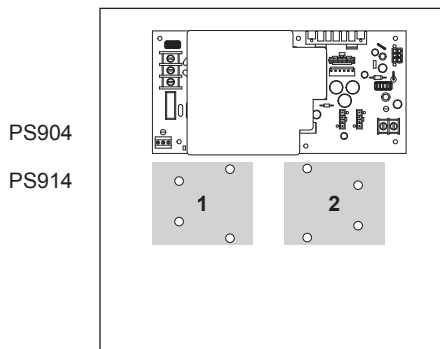
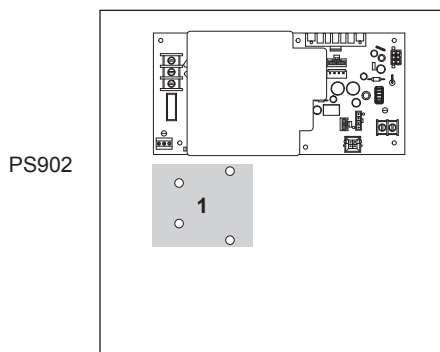
To avoid risk of electric shock, turn off AC power to power supply before installing or wiring option board.

### 900-4RL Specifications

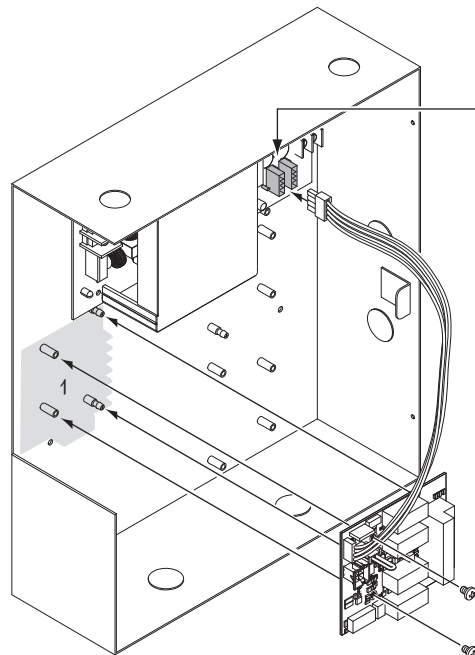
Inputs I1-I4	Dry contacts required (Closed = Active)
Outputs O1-O4	Connect control contacts between SC (Signal Common) and any input • Form C contacts rated 30VDC, 3A (Dry) • 12/24VDC, 3A (Wet) when AC powered • 9.6-13.2VDC or 19.2-26.4VDC when battery powered • May be used with PS914 to power EL device at 24VDC, 16A, 300ms • Maximum load cannot exceed power supply ratings or 6A for outputs combined
Board Input Power	Board requires 0.18A max. of power supply output current to operate
Temperature Range	32°-120°F (0°- 49° C)
Compliance	UL 294, ULC-S318, RoHS, & FCC Part 15
Fire Alarm Input	Accepts 900-FA Fire Alarm Board (Optional)

## 1 Install 4RL Board(S) into Power Supply

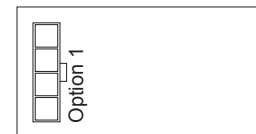
### 1a Review Available 900-4RL Mounting Locations (Gray)



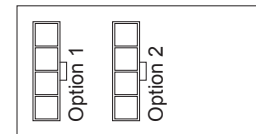
Refer to installation instructions for compatible supply models - PS902, PS904, PS906, and PS914.



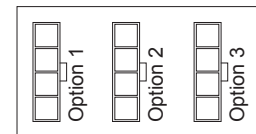
### 1b Plug 4RL Cable into any Available Option Connector



PS902



PS904, 914



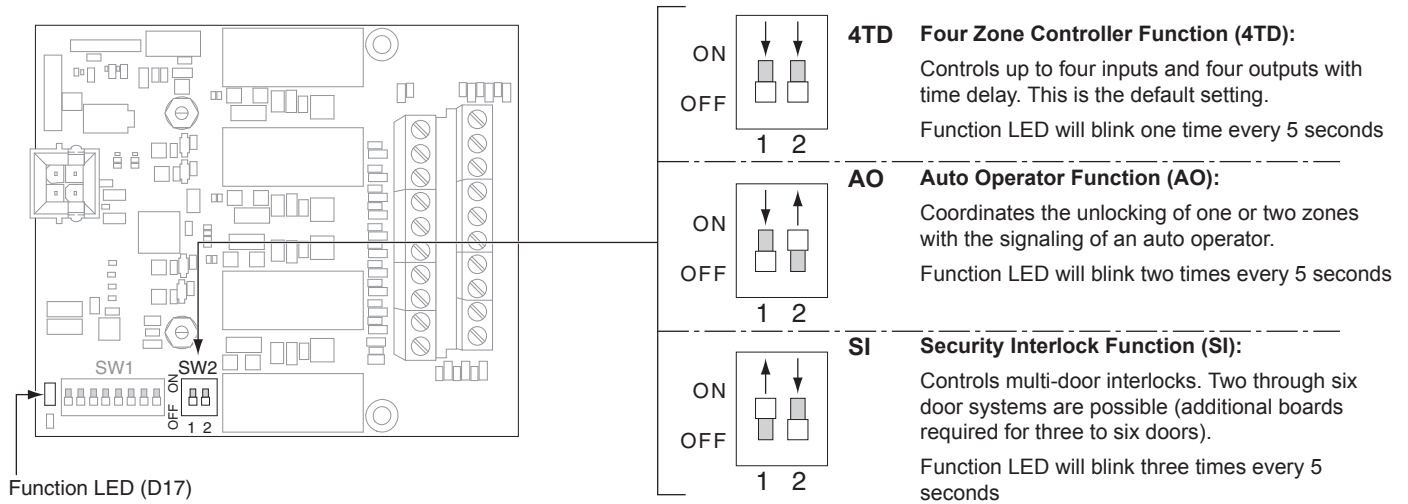
PS906

### 1c Secure Board(s) with Screws

#### NOTE

For UL listed installations, use only UL listed locks and strikes

## 2 Choose Function of 900-4RI Board by Setting SW2 Dip Switches



## 3 To Complete Configuration and Wiring, go to Appropriate Section

For 4TD: Go to pages 3-4

For AO: Go to pages 5-6

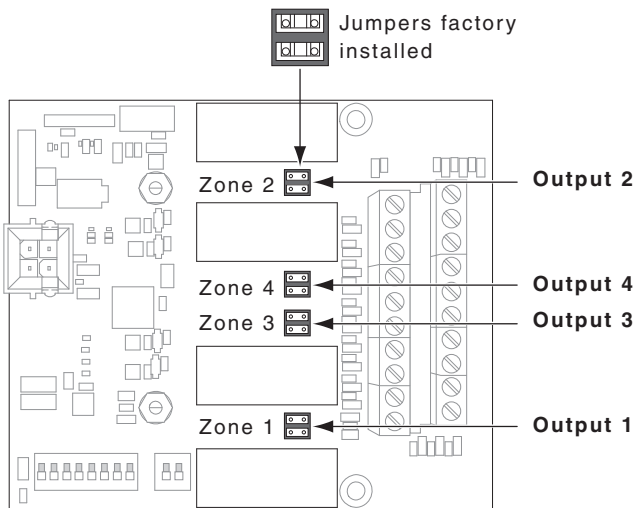
For SI: Go to pages 7-8

Basic Troubleshooting: Go to page 8

### (Optional) Dry Contact Configuration

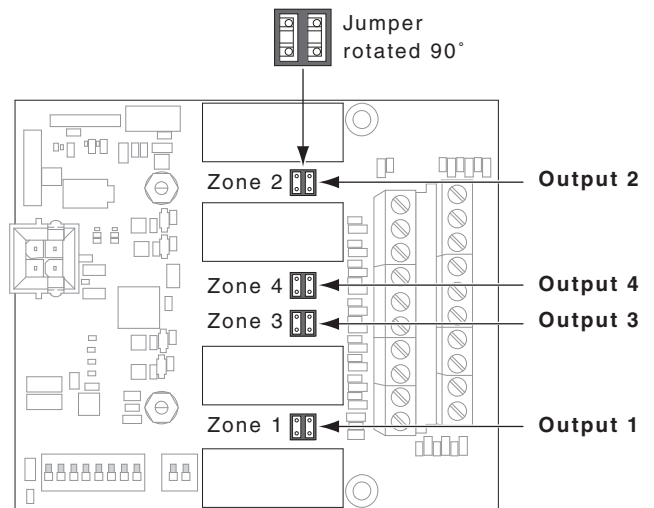
#### Powered Outputs (Default)

By default, all outputs provide 12/24VDC



#### Dry Contact Outputs (Optional)

For dry contact outputs, remove appropriate jumpers and rotate 90°, then reinstall (Zone 1 - Zone 4)

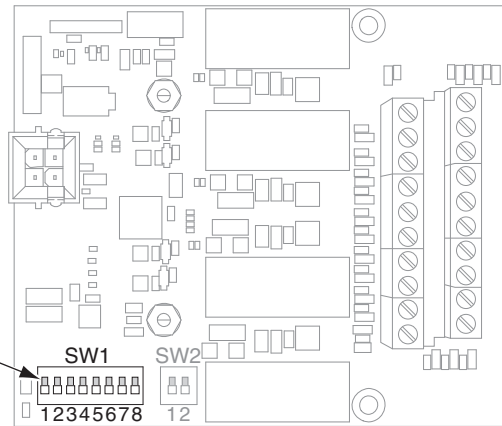
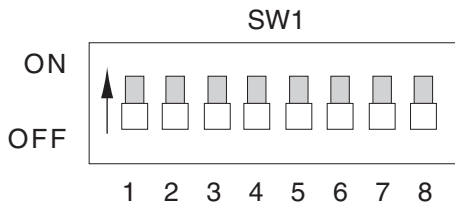


## 4TD - Set Time Delay Using SW1 Dip Switches

### Summary of Operation

- Output turns "ON" when input is activated (closed).
- Time delay begins when input is released (opened).
- Locking Device output will remain "ON" during time delay.
- If I1-I4 inputs are wired together, outputs will sequence.

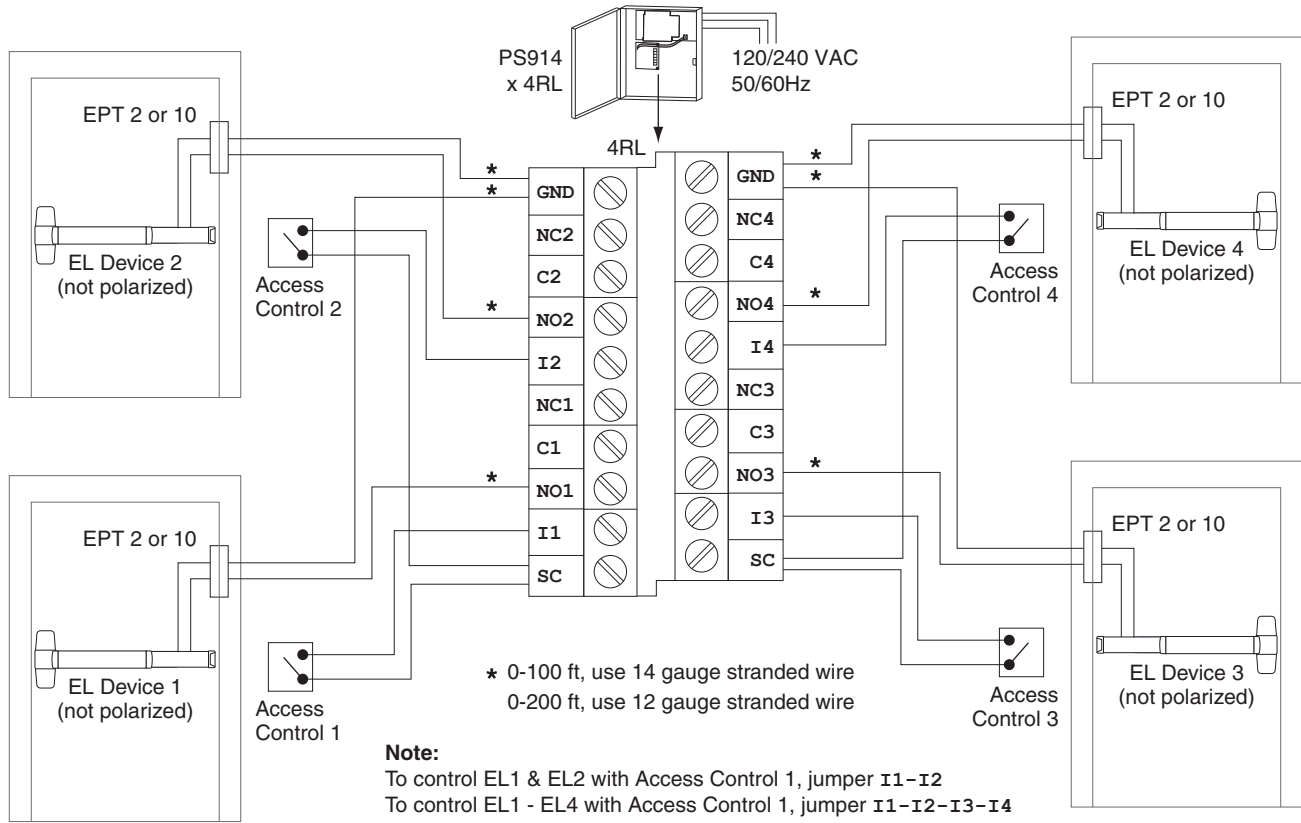
DIP switches on SW1 can be turned "ON" by moving them in the direction that the arrow is pointing. Switches below shown in "OFF" position



4TD DIP Switch Definitions		
Switch Number	All switches shown in "OFF" position in wiring diagram	
Enable Time Delay	1	Turn "ON" to enable time delay for Locking Device 1
Allows you to choose which outputs will have the below time delay.	2	Turn "ON" to enable time delay for Locking Device 2
	3	Turn "ON" to enable time delay for Locking Device 3
	4	Turn "ON" to enable time delay for Locking Device 4
Set Time Delay	5	Adds 5 seconds to the time delay when "ON"
(0-75 seconds, 5 second increments)	6	Adds 10 seconds to the time delay when "ON"
0 Sec: Switches 5-8 "OFF"	7	Adds 20 seconds to the time delay when "ON"
75 Sec: Switches 5-8 "ON"	8	Adds 40 seconds to the time delay when "ON"

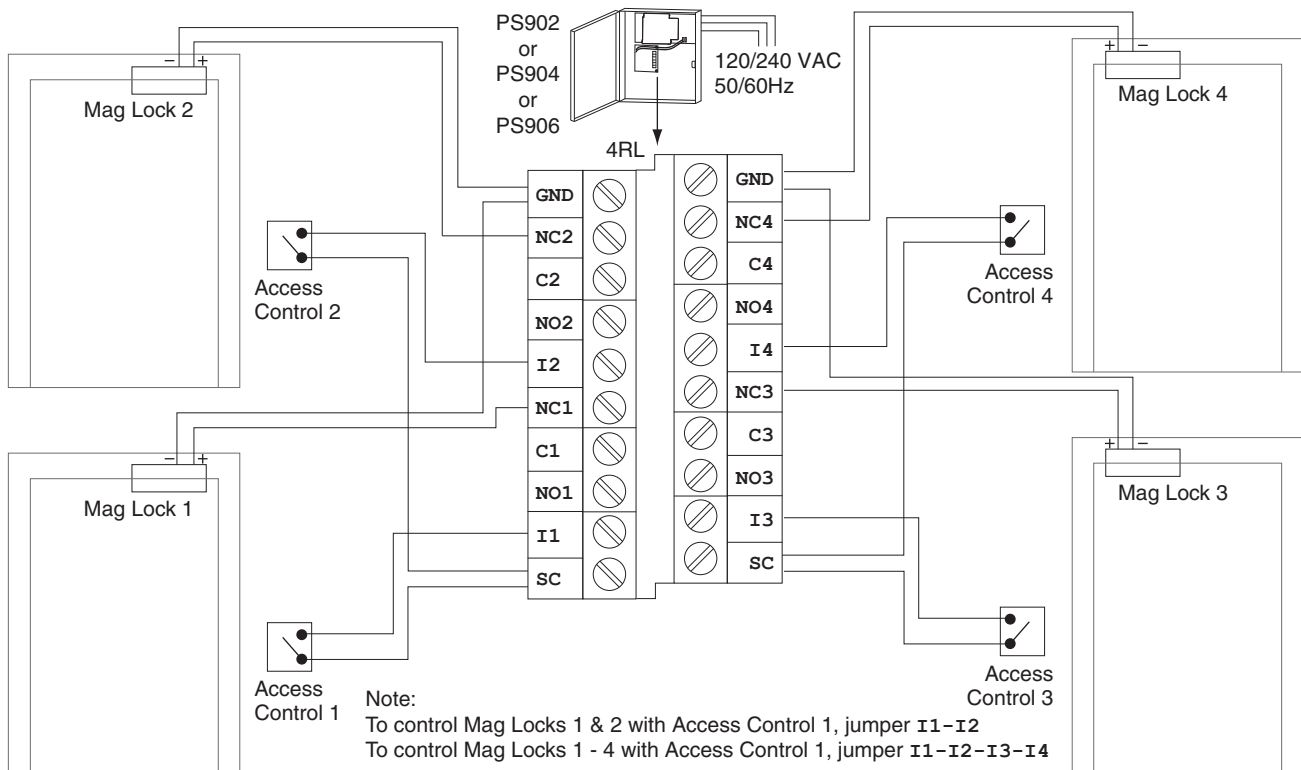
4TD Input / Output	
Terminal Block Definitions	
Input 1	Access Control 1
Input 2	Access Control 2
Input 3	Access Control 3
Input 4	Access Control 4
Output 1*	Lock 1
Output 2*	Lock 2
Output 3*	Lock 3
Output 4*	Lock 4
*See page 2 for dry contacts	

## 4TD - Wiring Example - Fail Secure



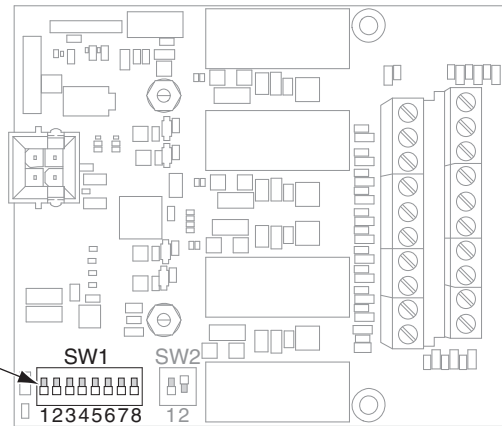
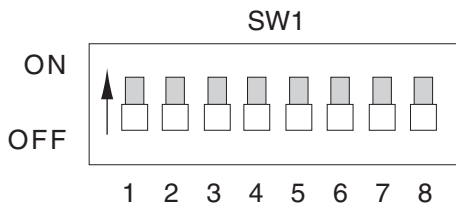
**Note:**  
Fail secure output only allowed if approved  
by Authority Having Jurisdiction

## 4TD - Wiring Example - Fail Safe



## AO - Set Configuration Using SW1 Switches

DIP switches on SW1 can be turned "ON" by moving them in the direction that the arrow is pointing. Switches below shown in "OFF" position



SW1 Switch	SW1 Switch	AO DIP Switch Definitions
Number	All switches shown in "OFF" position in wiring diagram	
Set Auto Operator Signaling Option Determines when the auto operator signal will be active	1 Off	Operator is signaled when latch monitor switch becomes active. Monitor switch required
	2 Off	Operator is signaled 0.5 seconds after control switch becomes active. No monitor switch used.
	1 On	Operator is signaled 1.0 seconds after control switch becomes active. No monitor switch used.
	2 On	Operator is signaled 1.5 seconds after control switch becomes active. No monitor switch used.
	1 Off	Operator is signaled 1.0 seconds after control switch becomes active. No monitor switch used.
	2 On	Operator is signaled 1.5 seconds after control switch becomes active. No monitor switch used.
Not Used	3	Not used
Set Individual Mode or Sequential Mode Individual Mode - One input will trigger one locking device. Sequential Mode - One input will trigger two locking devices.	4	Turn "OFF" (default) to enable Individual Mode (single doors). Turn "ON" to enable Sequential Mode (double doors).
	5	Adds 2 seconds to the time delay when "ON"
Set Time Delay* (0-30 seconds, 2 second increments) 0 Sec: Switches 5-8 "OFF" 30 Sec: Switches 5-8 "ON"	6	Adds 4 seconds to the time delay when "ON"
	7	Adds 8 seconds to the time delay when "ON"
	8	Adds 16 seconds to the time delay when "ON"
	* Time Delay begins when an input is released.	

AO INPUT / OUTPUT TERMINAL BLOCK DEFINITIONS	
Input 1	Access Control 1
Input 2	Lock Monitor 1
Input 3	Access Control 2
Input 4	Lock Monitor 2
Output 1*	Lock 1
Output 2*	AO Signal 1
Output 3*	Lock 2
Output 4*	AO Signal 2
*See page 2 for dry contacts	

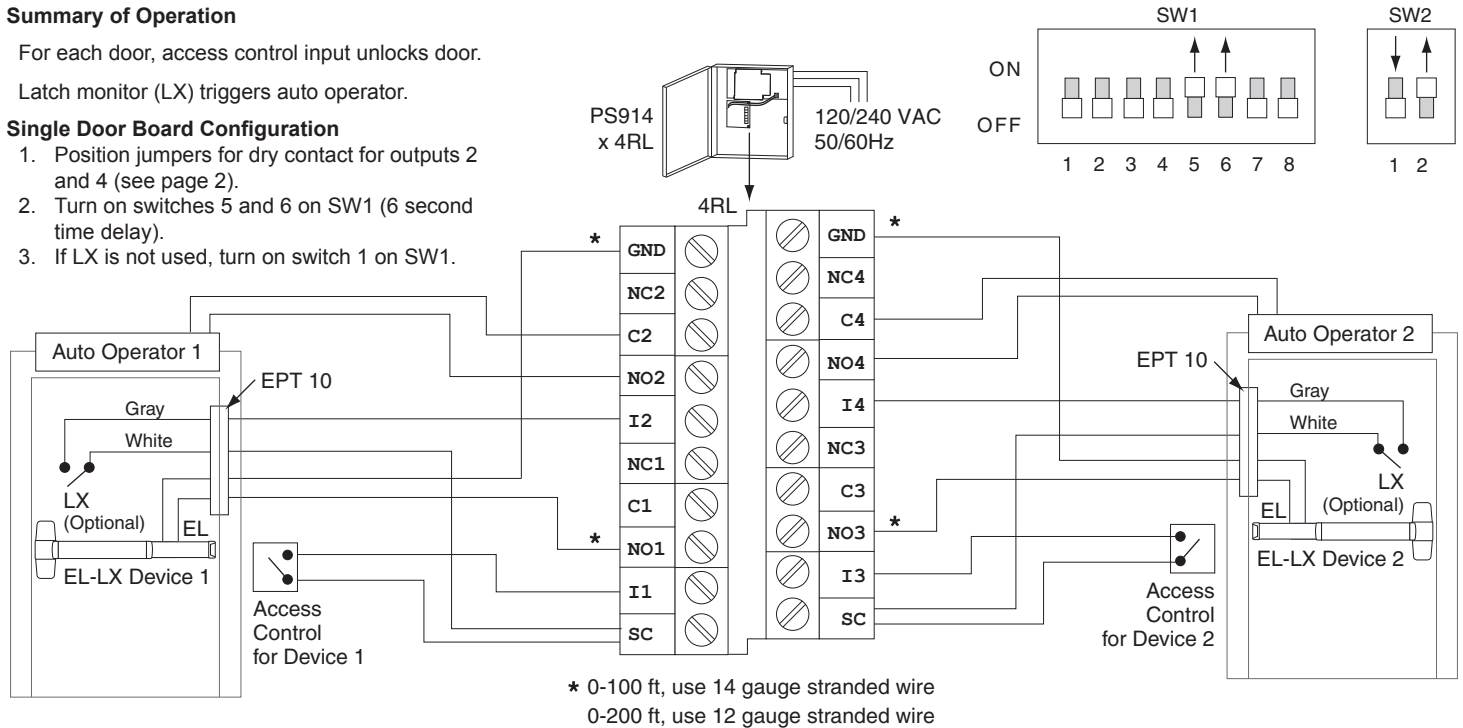
## AO - Wiring Example - Two Single Doors

### Summary of Operation

For each door, access control input unlocks door.  
 Latch monitor (LX) triggers auto operator.

### Single Door Board Configuration

1. Position jumpers for dry contact for outputs 2 and 4 (see page 2).
2. Turn on switches 5 and 6 on SW1 (6 second time delay).
3. If LX is not used, turn on switch 1 on SW1.



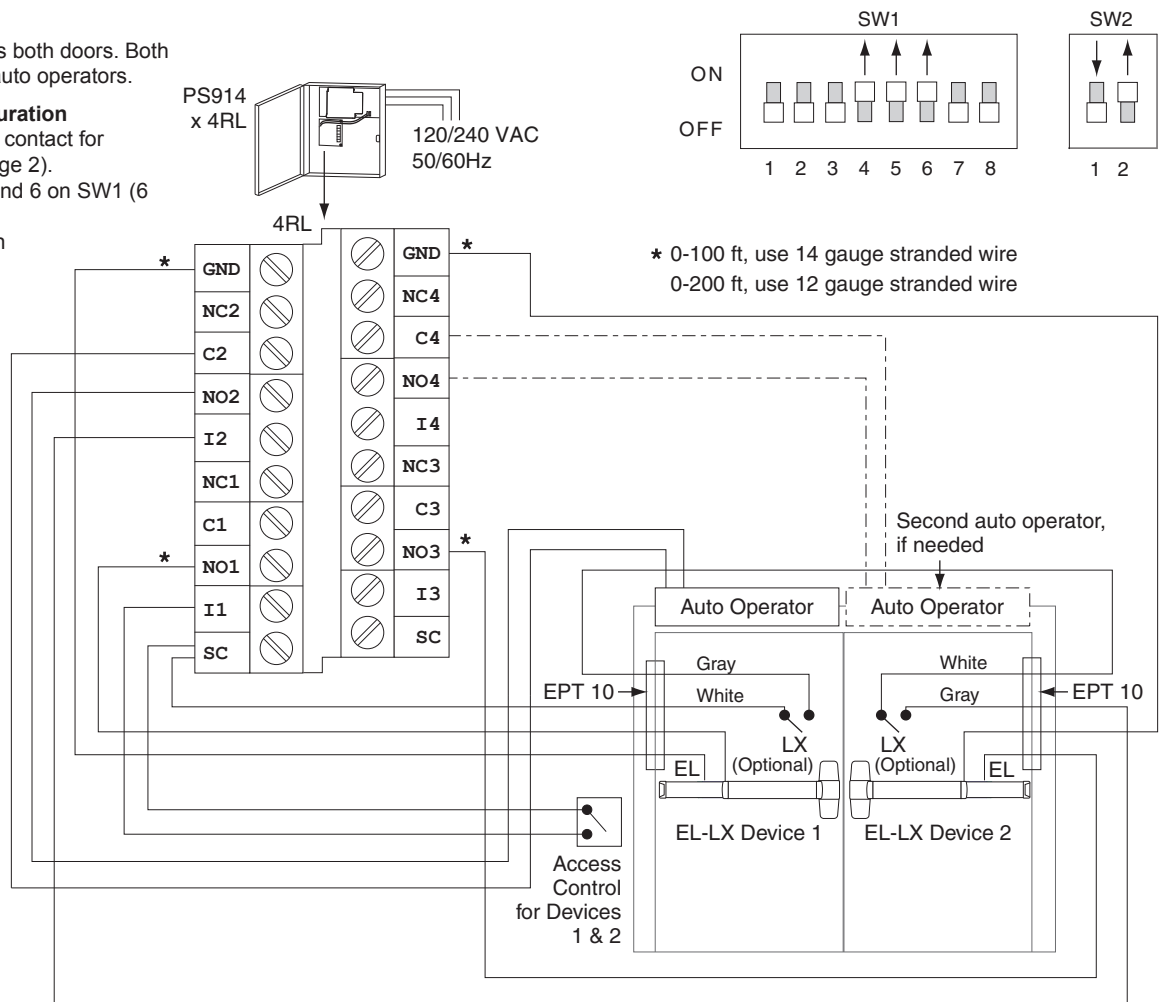
## AO - Wiring Example - Double Doors

### Summary of Operation

Access control input unlocks both doors. Both latch monitors (LX) trigger auto operators.

### Double Door Board Configuration

1. Position jumpers for dry contact for outputs 2 and 4 (see page 2).
2. Turn on switches 4, 5, and 6 on SW1 (6 second time delay).
3. If LX is not used, turn on switch 1 on SW1.



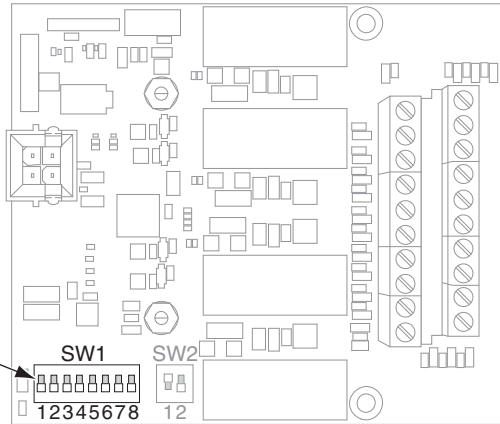
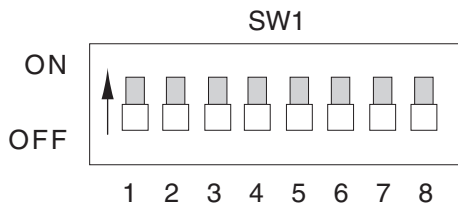
#### Note:

Fail secure output only allowed if approved by Authority Having Jurisdiction

Refer to Wire Table (page 7)

## SI - Configure SW1 DIP Switches

DIP switches on SW1 can be turned "ON" by moving them in the direction that the arrow is pointing. Switches below shown in "OFF" position



	Switch Number	SI DIP Switch Definitions
		All switches shown in "OFF" position in wiring diagram
Enable Time Delay Allows you to choose which outputs will have the below time delay.	1	Turn "ON" to enable time delay for Locking Device 1
	2	Turn "ON" to enable time delay for Locking Device 2
Enable Interlock	3	Turn "ON" to remove O2 from interlock (Allows a single independent door)
	4	Turn "ON" for global interlock (interlocks with other SI boards that have this switch "ON")
Set Time Delay (Output Active)* (0-30 seconds, 2 second increments) 0 Sec: Switches 5-8 "OFF" 30 Sec: Switches 5-8 "ON"	5	Adds 2 seconds to the time delay when "ON"
	6	Adds 4 seconds to the time delay when "ON"
	7	Adds 8 seconds to the time delay when "ON"
	8	Adds 16 seconds to the time delay when "ON"
*See page 2 for dry contacts		

### SI Input / Output Terminal Block Definitions

Input 1	Access Control 1
Input 2	Access Control 2
Input 3	Lock Monitor 1
Input 4	Lock Monitor 2
Output 1*	Lock 1
Output 2*	Lock 2
Output 3*	Follows Output 1 by .5 Sec
Output 4*	Follows Output 2 by .5 Sec

\*See page 2 for dry contacts

### Global Interlock Switch Setting Examples

SI Board #1		SI Board #2		SI Board #3		Application
SW1-3	SW1-4	SW1-3	SW1-4	SW1-3	SW1-4	
Off	Off	Off	Off	Off	Off	Each SI board is a standalone, 2-door interlock.
Off	On	Off	On	Off	On	6-door interlock by setting all boards "global".
Off	On	On	On			A three-door interlock, plus an additional independent door on output 2 of SI Board #2.
Off	On	Off	On	Off	Off	4-Door interlock (SI Board #1,2) and a standalone 2-door interlock (SI Board #3).

### Wire table (suggested maximum)

Wire Ga (AWG)	Device Current (Amps DC)	Output* (max. ft)	Input (max. ft)
14	0.3	850	1200
	0.5	500	
18	0.3	340	1200
	0.5	200	
12	Using EL device with EPT or Door Loop	200	1200
14	(PS914 required)	100	
12	Using EL device with Electric Hinge/Pivot	150	1200
14	(PS914 required)	75	

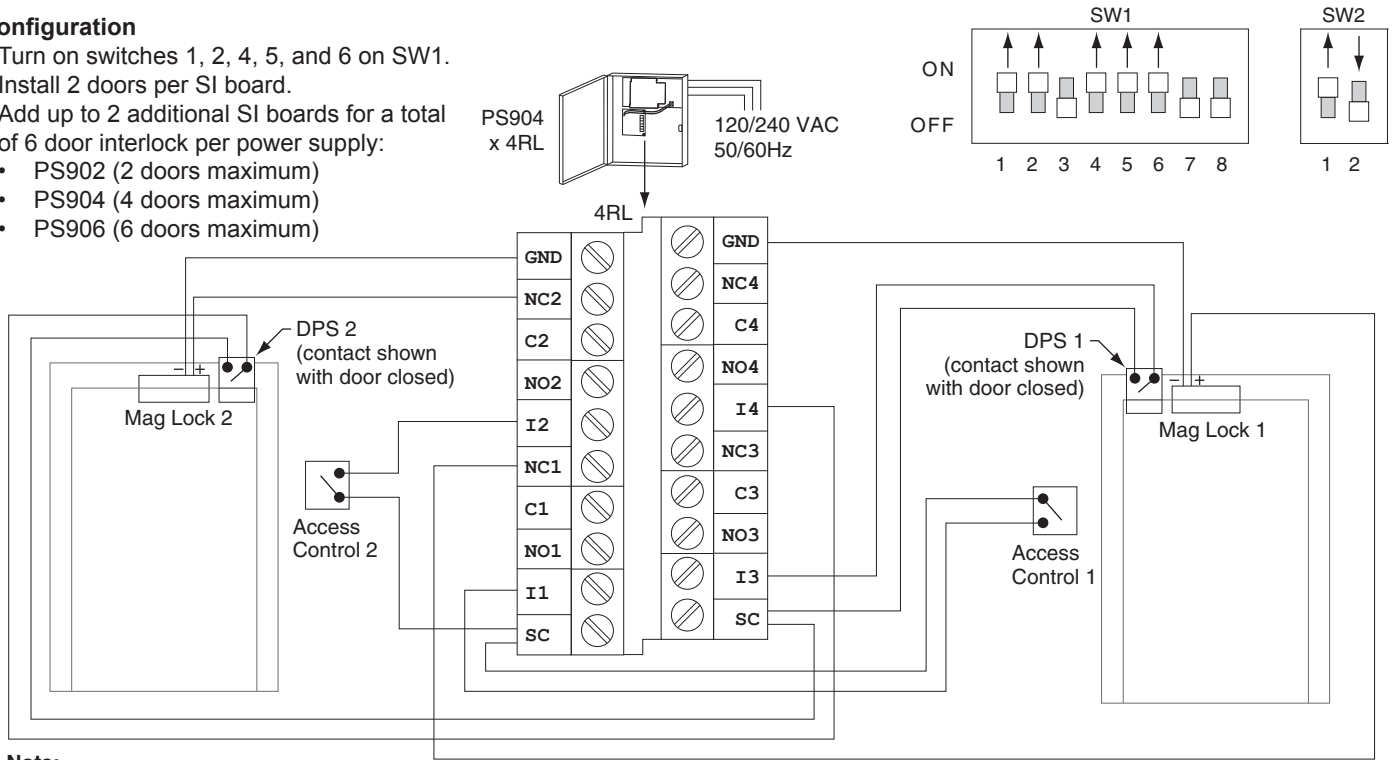
\*Wiring allows for 10% voltage drop at device current at 12 or 24VDC

Max. ft = one way distance between power supply and device

## SI - Wiring Example - 2 to 6 Door Interlock, Normally Locked

### SI Configuration

1. Turn on switches 1, 2, 4, 5, and 6 on SW1.
2. Install 2 doors per SI board.
3. Add up to 2 additional SI boards for a total of 6 door interlock per power supply:
  - PS902 (2 doors maximum)
  - PS904 (4 doors maximum)
  - PS906 (6 doors maximum)



**Note:**

Fail secure output only allowed if approved by Authority Having Jurisdiction

Refer to Wire Table (page 7)

### Basic Troubleshooting for All Functions

Symptom	Check
900-4RL Function LED (yellow) is not blinking, and inputs and outputs are inactive	Verify 900-4RL cable is plugged into an "option" connector on the main board. Check AC wiring and AC breaker. Check PS-900 main board F1 fuse. Use voltmeter to verify 12 VDC or 24 VDC output on PS-900 main board.
900-4RL Function LED (yellow) is blinking, but inputs and outputs are inactive	If 900-FA option is installed onto 900-4RL, verify fire alarm contacts are closed across FA1 and FA2. If 900-FA option is not installed, then verify jumper wire is installed into FA-JMPR connector on the 4RL board.
Inputs and outputs behaving incorrectly.	Verify 2-position DIP switch is set for proper function. Watch yellow LED to confirm 4RL function setting. See page 2. (Verify each DIP switch is pushed into its fully-on or fully-off position.) Verify 8-position DIP switch is set properly for your application. If you are unsure of proper settings, contact Technical Services for assistance. (Verify each DIP switch is pushed into its fully-on or fully-off position.) Verify wiring for all input and output hardware is connected to proper terminals. (Reminder: If 900-4RL is mounted in location 1, top terminals will be GND. If 900-4RL mounted in location 2 or 3, top terminals will be SC.)

**NOTE**

**When installation is complete, secure enclosure door with screws or keylock.**