



The 5000 Series is also available in a **Complete One Box Solution**

# 5000 Series

The grade 1, low profile solution for cylindrical locksets

Shown with 501 Option

The 5000 series is a compact, high performance electric strike designed for low profile openings where there is limited space behind the jamb. Its strength is derived from a unique keeper pin locking design, enabling the 5000 to exceed the ratings of the frame, door and locking hardware. This field selectable fail secure/fail safe unit is easy to install and accommodates latchbolts up to 5/8" throw.



## Specifications

- UL 1034, burglary-resistant listed and suitable for outdoor use
- UL 294 (6th Edition) listed
- ANSI/BHMA A156.31, Grade 1
- MEA New York City accepted
- RoHS compliant
- Patent: 5,934,720

## Frame Application

- Metal
- Wood

## Electrical

- .24 Amps at 12 VDC/VAC
- .12 Amps at 24 VDC/VAC
- DC continuous duty/ AC intermittent duty only
- PoE friendly

## 5000 Models

5000	Universal electric strike	Faceplate options ordered separately, see page 26
5000C	Complete electric strike	Includes the 501 and 501A faceplates
RF5010	Integrated Prox	Includes the strike body, Prox reader and door position switch
IC5020	Integrated iCLASS®	Includes the strike body, iCLASS reader and door position switch

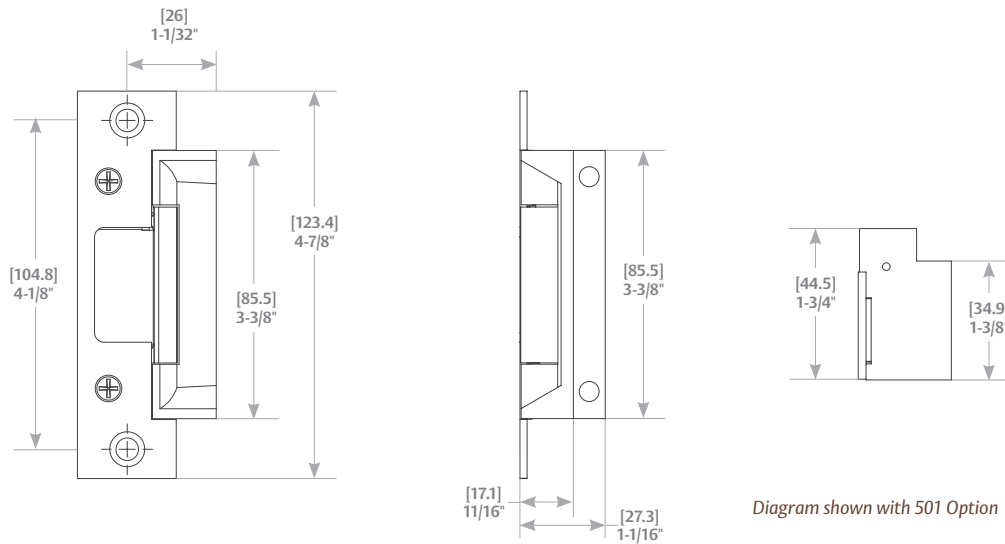


Diagram shown with 501 Option

### Standard Features

- Tamper-resistant
- Static strength 1,500 lbs.
- Dynamic strength 70 ft-lbs.
- Endurance 500,000 cycles
- Field selectable fail secure/fail safe
- Dual-voltage 12 or 24 VDC/VAC
- Non-handed
- Internally mounted solenoid
- Accommodates 1/2" - 5/8" latchbolt (5/8" with 1/8" door gap)
- Strike body depth 1-1/16"
- Plug-in connector
- Trim enhancer included
- Five-year limited warranty

### Optional Features

**LBM** » Latchbolt monitor

### Accessories

**150** » Strike latch guard

**154-MTK** » Metal template kit

**2001M** » Plug-in bridge rectifier

**2004M** » ElectroLynx® adapter

**2005M3** » SMART Pac® III

**2006M** » Plug-in buzzer

**5104-1/2** » 1/2" stackable lip extension

**5104-1** » 1" stackable lip extension

**5104-1-1/4** » 1-1/4" stackable lip extension

### Finishes

**630** » Satin stainless steel

**605** » Bright brass

**606** » Satin brass

**612** » Satin bronze

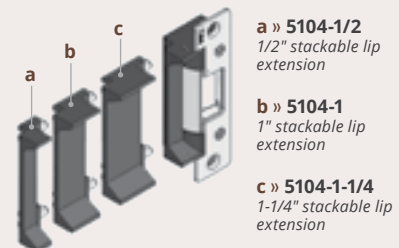
**613** » Bronze toned

**629** » Bright stainless steel

**BLK** » Black

\*Complete Pacs are only available in the 630 finish

### "Press Fit" Stackable Lip Extensions



CYLINDRICAL  
LOCKSETS



SPECIALTY  
LOCKSETS



FIELD SELECTABLE  
(12 OR 24VDC)



FIELD SELECTABLE  
(FAIL SECURE/  
FAIL SAFE)



GRADE 1



OUTDOOR  
RATED



UL 1034  
BURGLARY  
LISTED

**hes**  
ASSA ABLOY

# 5000/5200 Series Faceplate Options



**Operation:** After releasing the latchbolt, the keeper returns to the locked position



4-7/8" × 1-1/4"

Square corners and flat faceplate

## 501 Option

**For use with:** Cylindrical locksets in ANSI metal jambs

» ANSI/BHMA Numbers: E09321, E09322, E09323



4-7/8" × 1-1/4"

Radius corners and flat faceplate

## 501A Option

**For use with:** Cylindrical locksets or spring latches in aluminum frames. Includes universal mounting tabs.

» ANSI/BHMA Numbers: E09321, E09322, E09323



7-15/16" × 1-7/16"

Radius corners and flat faceplate

## 502 Option

**For use with:** Cylindrical locksets or spring latches in aluminum frames. Includes universal mounting tabs.

» ANSI/BHMA Numbers: E09321, E09322, E09323



6-7/8" × 1-1/4"

Radius corners and flat faceplate

## 503 Option

**For use with:** Cylindrical locksets or spring latches in aluminum frames. Includes universal mounting tabs.

» ANSI/BHMA Numbers: E09321, E09322, E09323



10" × 1-3/8"

Radius corners and flat faceplate

## 504 Option

**For use with:** Cylindrical locksets. Four-point mounting for wood installations

» ANSI/BHMA Numbers: E09321, E09322, E09323



"For use with" information is offered as a recommendation only. Reference should be made to the lockset manufacturer for proper installation instructions necessary to meet compatibility requirements.