

The Schlage King Cobra 9000 series locks are designed for use with aluminum doors that rely on various latches and exit devices to secure the opening. These narrow stile door solutions can be used in any facility, on any door where electronic access control is desired to simplify key control and increase the level of security. A perfect solution for retail storefronts, restaurants, multifamily entrances and commercial office space. A great security, convenience and performance upgrade from a reliance on mechanical keys or mechanical pushbutton locks.

**Technical Information:**

- Individual Codes: 120 individual users codes + credentials
- Battery Life: 40,000 cycles or 3 years, 4 AAA Batteries
- Lever Mechanism: Vandlgard<sup>®</sup> clutching mechanism. Levers operate independently.
- Operating Temperature: -20F to +130F\*
- Warranty: 1 Year
- Backset: Works Adams Rite 4710 and 4730
- Door Types: 1 3/4" thick aluminum doors
- Cylinder: 1 1/8" mortise cylinder (1 1/4" with collar)
- Mechanical Function: Classroom/Storeroom function means you do not need a code or credential for egress
- Chassis: Patented heavy duty zinc die cast
- EMI/RFI: Not impacted
- Buttons: 12 buttons, stainless steel
- Indicator Lights: Red and Green. Indicates activation. System Status, Errors and Low Power



**Programming Functions:**

- Supervised Use (2-man rule) – requires two codes/credentials to gain access
- One-time use – code is set up for one use, then it becomes invalid. Great for deliveries or service technicians.
- Freeze/Lock-out – permanently locks keypad until lock-out code is re-entered. Key pad can still be used for program
- Toggle mode – unlocks the lock indefinitely (passage)
- Pass through mode – overrides lock-out mode one time
- Normal use (Default) – Momentarily unlocks for relock delay

**Stocking Part #**

- KC9111-KD-626 • KC9111-KD-695

---

The Schlage King Cobra 5196 is designed for cylindrical and mortise door preps and can be used in any facility, on any door where electronic access control is desired to simplify key control and increase the level of security. A perfect solution for storage rooms, offices, teacher's lounges, mechanical rooms, front and back entrances, and changing rooms. A great security, convenience and performance upgrade from a reliance on mechanical keys or mechanical.

**Technical Information:**

- Individual Codes: 120 individual users codes + credentials
- Battery Life: Cycles: 80,000 cycles or 3 years, 4 AA Batteries
- Lever Mechanism: Vandlgard<sup>™</sup> clutching mechanism. Levers operate independently.
- Environmental Performance: -20°F to +130°F
- Warranty: 1 Year
- Latch Types: Cylindrical Latchbolt
- Lock Prep: - Cylindrical: Standard ANSI 161 cylindrical prep for 1-3/4" doors. 1-1/2" to 2" field adjustable. 1-3/8" with shim kit.
- Cylinder: Solid brass 6 pin mortise cylinder with a Schlage Everest C123 keyway keyed different with two 6 pin nickel silver keys. Accommodates most mortise cylinders with a compatible Schlage straight cam.
- 1-1/8" mortise cylinder (1-1/4" with blocking ring)
- Hanging: Field Reversible levers
- Screws: High security spanner screws on inside escutcheon. No exposed screws on exterior escutcheon.
- Mechanical Function: Classroom/Storeroom function means you do not need a code or credential for egress
- Chassis: Patented heavy duty zinc die cast
- Cylindrical Backset: 2-3/4" standard
- Cylindrical Latchbolt: 1/2" Standard
- EMI/RFI: Not impacted
- Buttons: 12 buttons, stainless steel/zinc
- Indicator Lights: Red and Green. Indicates activation. System Status, Errors and Low Power
- ANSI Standards: In testing for BHMA Grade 1

**Programming Functions:**

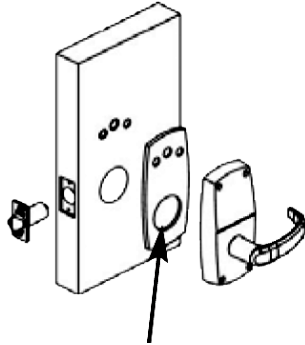
- Supervised Use (2-man rule) – requires two codes/credentials to gain access
- One-time use – code is set up for one use, then it becomes invalid. Great for deliveries or service technicians.
- Freeze/Lock-out – permanently locks keypad until lock-out code is re-entered. Keypad can still be used for programming
- Toggle mode – unlocks the lock indefinitely (passage)
- Pass through mode – allow access during lock-out mode
- Normal use (Default) – Momentarily unlocks for relock delay

**Stocking Part #**

- KC5196x17xKDxSLB-605
- KC5196x17xKDxSLB-626

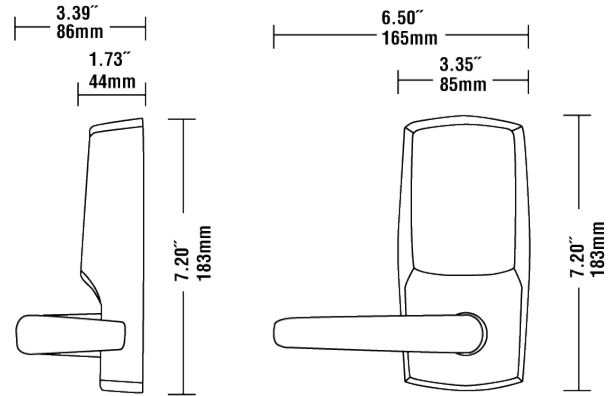


**MPC-SK**

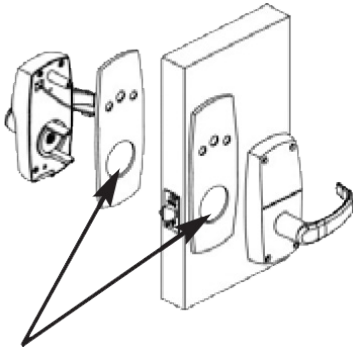


MPC-SK Shim plate accommodates 13/8" residential doors.

**King Cobra 5196 dimensions**



**MPC-LRP**



MPC-LRP Cover plates mask preps in retrofit applications for 13/4" doors only



All Stocked King Cobra and Pro series locks feature the Sparta Lever

Schlage PRO Series manually programmable locks are stand alone, microprocessor-based, locks that provide greater customer value than mechanical pushbutton locks. PRO Series locks let you quickly program up to 120 individual user codes, right at the lock. Installation is easy for standard cylindrical and mortise lock preps with minor modifications. Schlage PRO Series locks are an ideal solution for facilities with a limited number of users and access points.

**Stocking Part#**

- PRO5196xBPxSLB-626RH



**FEATURES**

**Electronic**

- Add and delete up to 120 codes at keypad
- LED status indicators
- 80,000 cycle life (for battery powered models)
- uses 4-AA batteries

**Mechanical**

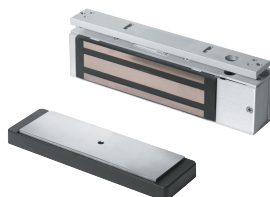
- Cylindrical, mortise and mortise AutoBolt® models available for Schlage PRO locksets
- Easy to install or retrofit
- Rugged design
- Vandlgard® clutching lever

The **350+** Narrowline surface mounted electromagnetic lock is designed for doors requiring a high level of security. The 350+ is available for single, inswinging or outswinging, hollow metal, aluminum, and wood doors and frames and glass doors. The 352+ is available for pairs of hollow metal, aluminum, and wood doors and frames and glass doors without a mullion. All models easily interface with electronic access control systems, automatic door operators and fire or other hazard sensing systems for egress and emergency egress. Exceeds ANSI/BHMA A156.23 Grade 2 standards with 1200 pounds of direct holding force and is UL listed as an auxiliary lock for a 3 hour fire rated opening.

### Specifications:

#### **350+**

Holding Force: 1200 lbs. per door leaf  
 Input Voltage: 12/24 VDC  
 Current Draw: .75A@12VDC  
 .38A@24VDC  
 Height: 21/8"  
 Length: 121/2"  
 Width: 111/16"  
 Weight: 9.60 lbs



#### **352+**

Holding Force: 1200 lbs. per door leaf  
 Input Voltage: 12/24 VDC  
 Current Draw: 1.5A@12VDC  
 .76A@24VDC  
 Height: 21/8"  
 Length: 25"  
 Width: 111/16"  
 Weight: 17.80 lbs

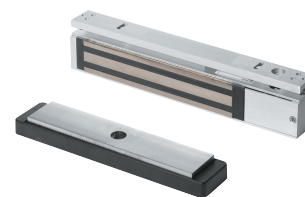


The **390+** surface mounted electromagnetic lock is ideal for high security applications. This lock exceeds ANSI/BHMA A156.23 Grade 1 standards with 1650 pounds of direct holding force and is UL listed as an auxiliary lock for a 3 hour fire rated opening and for burglary resistance. The 390+ is available for single, inswinging or outswinging, hollow metal, aluminum, and wood doors and frames as well as glass doors. The 392+ is available for pairs of hollow metal, aluminum, and wood doors and frames as well as glass doors without a mullion. All models are ideal for open architecture and easily interface with electronic access control systems, automatic door operators, and fire or other hazard sensing systems for egress and emergency egress.

### Specifications:

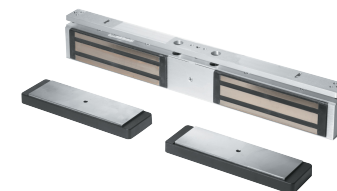
#### **390+**

Holding Force: 1650 lbs.  
 Input Voltage: 12/24 VDC  
 Current Draw: .60A@12VDC  
 .30A@24VDC  
 Height: 23/4"  
 Length: 101/2"  
 Width: 111/16"  
 Weight: 10.60 lbs



#### **392+**

Holding Force: 1650 lbs. per door leaf  
 Input Voltage: 12/24 VDC  
 Current Draw: 1.2A@12VDC  
 .60A@24VDC  
 Height: 23/4"  
 Length: 205/8"  
 Width: 111/16"  
 Weight: 20.70 lbs

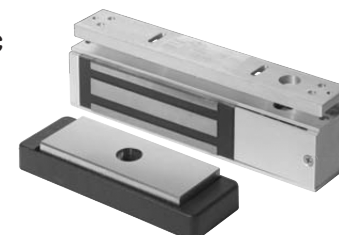


### Specifications:

The **320+** surface mounted electromagnetic lock offers 700 for interior doors and general traffic control applications. Its modular design employs a standardized circuit board with easy to install connectors, adjustable mounting brackets, integrated mounting screws, and slide-in architectural finish plates. The armature housing holds the armature in place, eliminating the noise and sagging known with armatures and increasing the overall reliability of the product. The armature housing also provides an aesthetically pleasing look over traditional armature mountings, blending into the surrounding environment more easily. Finally the armature housing holds the magnet for the DSM option without having to mount an additional plate to the armature, ensuring quicker, more reliable installations.

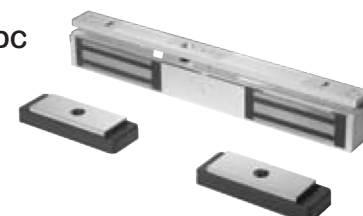
#### **320+**

Holding force: 700 lbs. per door leaf  
 Input Voltage: 12/24 VDC  
 Current Draw: .75A@12VDC  
 .38A@24VDC  
 Height: 21/8"  
 Length: 89/16"  
 Width: 111/16"  
 Weight: 5.60 lbs



#### **322+**

Holding force: 700 lbs. per door leaf  
 Input Voltage: 12/24 VDC  
 Current Draw: 1.5A@12VDC  
 .76A@24VDC  
 Height: 21/8"  
 Length: 163/4"  
 Width: 111/16"  
 Weight: 10.60 lbs



**Schlage Locknetics 621 Series**

**Pushbuttons** offer significant installer friendly innovations: screw terminal connections for the momentary action models, Easy to install and operate, Standard and narrow stile plates offer ultimate flexibility. Features a green button with "Push To Exit" on it.

Stocking Part #'s

- 621-GR-EX-626
- 621-GR-EX-613
- 621-GR-EX-NS-626 (for narrow stiles)
- 621-GR-EX-NS-613 (for narrow stiles)



**Schlage Locknetics 650 Series**

**Keyswitches** utilize an innovative magnetic spring design which allows installers to configure both clockwise and counterclockwise key turn direction as well as momentary or maintained action in seconds. Single gang and narrow stiles are available

Stocking Part #'s

- 653-04-626 (Momentary)
- 653-05-613 (Maintained)
- 653-04-NS-626 (Momentary for narrow stiles)
- 653-05-NS-613 (Maintained for narrow stiles)

Cylinders not included  
takes 1-1/4" Mortise cylinder



**672 TouchBar**

The 672 TouchBar is a request to exit device which releases electromagnetic or electronic locks when the bar is depressed. Designed for easy installation, smooth operation and maximum durability



Stocking 628 and 613 finish  
for 36" wide doors

**Armored Door Cords with Caps**

For simple surface mount power transfer requirements. 5/16" interior diameter; 3/8" outside diameter flexible door cord

Acceptable Wire Size Combinations

- Five 18 gauge
- Two 18 gauge and four 20 gauge
- Two 18 gauge and seven 22 gauge
- Seven 20 gauge
- Twelve 22 gauge

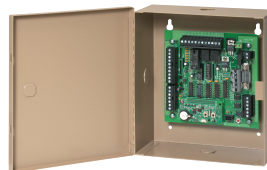


**Schlage Locknetics' Universal Controllers** provide offline access control intelligence to products such as electromagnetic locks, electric strikes, electrified locks, electrified exit devices, cabinet locks, elevators and doors. When the Schlage Locknetics Universal Controller is coupled with one of these locking products and an access credential reader or keypad, a dynamic electronic access control system is created. The Universal Controller is available in hardwired versions – CT1000.

- Computer managed with Schlage Security Management Systems Software

**CT1000 FEATURES**

- Hardwired
- SmarTime™ standard
- 1000 users, 1000 event audit trail
- Supports codes, iButtons®, mag card and HID prox credentials



**593PI-24**

Plug-in Transformer  
Input: 120 VAC, 60 Hz,  
Output: 24 VAC @ 1 A

**593PI-12**

Plug-in Transformer  
Input: 120 VAC, 60Hz, 0.22 A  
Output: 12 VAC @ 1 A

**593PI-12DC**

Plug-in Transformer  
Input: 120 VAC, 60Hz  
Output: 12VDC @ 1A

**593PI-24DC**

Plug-in Transformer  
Input: 120 VAC, 60Hz  
Output: 24 VDC @ .50 A

