

Mechanical Features

- **Construction:** Heavy-duty cylindrical lock housing with cast front housing; brass unified trim plate; wrought brass knobs
- **Installation:** ASA 161 door preparation with additional through bore holes required: (1) 1" (25mm) diameter for combination change, (2) 1/4" (6mm) for mounting lock, and (1) 1" (25mm) diameter for optional passage feature; (1) 1" (25 mm) diameter cross bore for latch.
- **Door handing:** Factory-handed for left hand doors; field reversible
- **Numeric pushbuttons:** Vandal resistant, 5 button, anodized aluminum, mechanical
- **Weight:** 7.25 lbs. (4.5 kg)
- **Strike:** Standard strike plate; ASA strike plate; strike box
- **Backset:** 2-3/4" (70 mm)
- **Key override:** Compatible with major manufacturers of removable cores: ASSA, Best and Compatibles (6 or 7-pin length), Corbin / Russwin, Medeco /Yale (6-pin length), Sargent, Schlage
- **Door thickness:** 1-3/8" (35 mm) to 2-1/4" (57 mm)
- **Control:** DF59 keys for combination change; DF5 keys for passage feature
- **Minimum stile requirement:** 5" (127 mm)



Lock Operation

- **Combination code:** One code per lock made of any combination of one to five numbers (pressed individually or simultaneously)
- **Code:** Thousands of possible combinations
- **Emergency access:** Optional mechanical key override

Certification and Testing

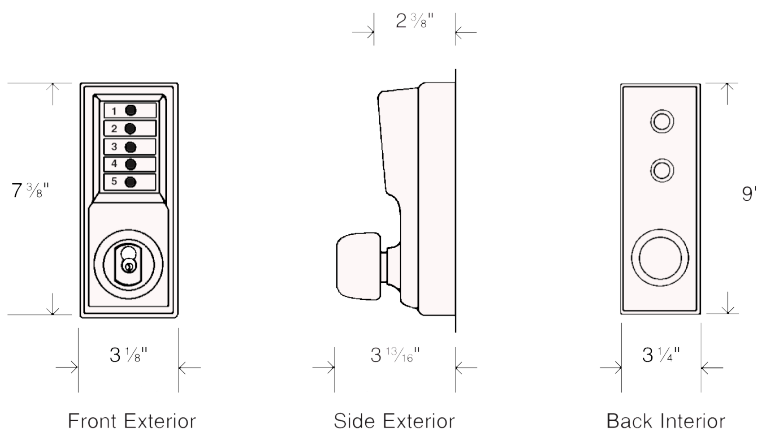
- **Fire rating:** Three-hour UL/ ULC Fire rating for "A" label doors
- **Environmental operating conditions:** Highly weather resistant
- **Durability:** Conforms to ANSI 156.2, Grade 1
- **Warranty:** 1 year

Stocking Part #'s

- 1011-03-41
- 1011-05-41
- 1011-26D-41
(combination entry)
- 1021B-03-41
- 1021B-05-41
- 1021B-26D-41
(combination entry w/key override, Best 6 or 7 pin)
- 1021C-26D-41
(combination entry w/key override, Corbin/Russwin)
- 1021S-26D-41
(combination entry w/key override, Schlage)
- 1031-26D-41
(combination entry w/passage mode)

IC Cores are not included with locks

- **Finishes:**
Bright Brass 03 (605)
Antique Brass 05 (609)
Satin Chrome 26D (626)



L1000 Series

Mechanical Features

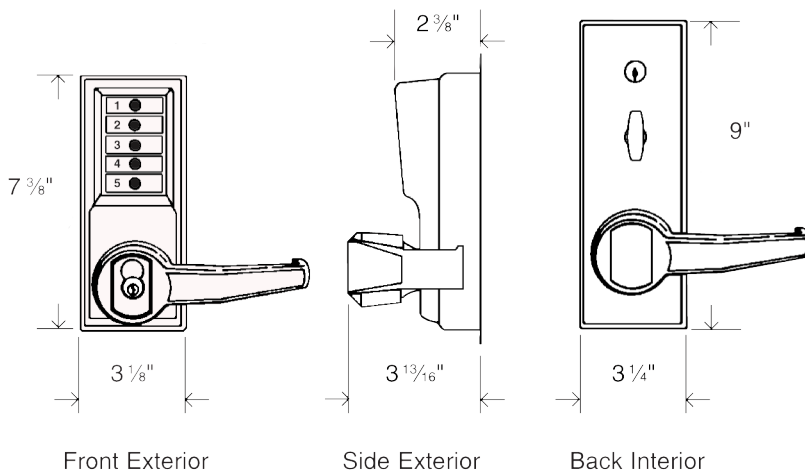
- Construction: Heavy-duty cylindrical lock housing with cast front housing; brass unified trim plate; fixed cast ADA compliant levers
- Installation: ASA 161 door preparation with additional through bore holes required: (1) 1" (25mm) diameter for combination change, (2) 1/4" (6mm) for mounting lock, and (1) 1" (25mm) diameter for optional passage feature; (1) 1" (25 mm) diameter cross bore for latch.
- Door handing: Factory-handed; not field reversible
- Numeric pushbuttons: Vandal resistant, 5 button, anodized aluminum, mechanical
- Weight: 8.25 lbs. (3.7 kg)
- Strike: Standard strike plate; ASA strike plate; strike box
- Backset: 2-3/4" (70 mm)
- Key override: Compatible with major manufacturers of removable cores: ASSA, Best and Compatibles (6 or 7-pin length), Corbin / Russwin, Medeco /Yale (6-pin length), Sargent, Schlage
- Door thickness: 1-3/8" (35 mm) to 2-1/4" (57 mm)
- Control: DF59 keys for combination change; DF5 keys for passage feature
- Minimum stile requirement: 5" (127 mm)

Lock Operation

- Combination code: One code per lock made of any combination of one to five numbers (pressed individually or simultaneously)
- Code: Thousands of possible combinations
- Emergency access: Optional mechanical key override

Certification and Testing

- Accessibility standard: Americans with Disabilities Act (ADA)
- Fire rating: Three-hour UL/ ULC Fire rating for "A" label doors
- Environmental operating conditions: Highly weather resistant
- Durability: Conforms to ANSI 156.2, Grade 1 ; Compliance with D.O.D. 5220.22M
- Warranty: 1 year



Stocking Part #'s

- LL1011-26D-41
- LR1011-26D-41 (combination entry)

IC Cores are not included with locks

- LL1021B-03-41
- LR1021B-03-41
- LL1021B-26D-41
- LR1021B-26D-41 (combination entry w/key override, Best 6 or 7 pin)

- LL1021C-03-41
- LR1021C-03-41
- LL1021C-26D-41
- LR1021C-26D-41 (combination entry w/key override, Corbin/Russwin)

- LL1021M-03-41
- LR1021M-03-41
- LL1021M-26D-41
- LR1021M-26D-41 (combination entry w/key override, Medeco/Yale 6 pin)

- LL1021R-03-41
- LR1021R-03-41
- LL1021R-26D-41
- LR1021R-26D-41 (combination entry w/key override, Sargent)

- LL1021S-03-41
- LR1021S-03-41
- LL1021S-26D-41
- LR1021S-26D-41 (combination entry w/key override, Schlage)

- LL1041R-26D-41
- LR1041R-26D-41 (combination entry w/key override / passage mode, Sargent)

• Finishes:

- Bright Brass 03 (605)
- Satin Chrome 26D (626)

5000 Series

Mechanical Features

- Combination code: One code per lock made of any combination of one to five numbers (pressed individually or simultaneously)
- Number combinations: Thousands of possible combinations
- Code changing: Accomplish with the lever release combination change tool from the lock exterior (model 5021) or from the lock interior (model 5031)
- Emergency access: Mechanical key override
- Accessibility standard: Americans with Disabilities Act (ADA)
- Fire rating: Three-hour UL/ ULC Fire rating for "A" label doors
- Environmental operating conditions: Highly weather resistant
- Durability: ANSI/BHMA A156.2, Grade 1 Certified
- Warranty: 3 years
- Construction: Extra heavy-duty cylindrical lock; solid cast housing and solid cast zinc levers, stainless steel cylindrical drive components
- Installation: ASA 161 door preparation with 4 additional through bore holes; retrofits cylindrical & tubular locksets with a 2-3/4" (70 mm) backset
- Door handing: Non-handed, field reversible (pre-assembled for left-hand door installations)
- Numeric pushbuttons: Vandal resistant, 5 button, plus Enter button, anodized aluminum, mechanical
- Weight: 8.0 lbs. (3.65 kg)
- Strike: ASA and standard strike plates are included
- Backset: 2-3/4" (70 mm)
- Latch: 1/2" (13 mm) throw latch
- Key override: Universal key-in-lever cylinder (XK) with Universal Kaba High security 1539 6-pin cylinder included.
- Door thickness: 1-3/8" (35 mm) to 2-1/4" (57 mm)
Pre-assembled to accommodate doors 1-5/8" to 2" (41 to 51 mm)
Minimum stile requirement: 5" (127 mm)

Lock Operation

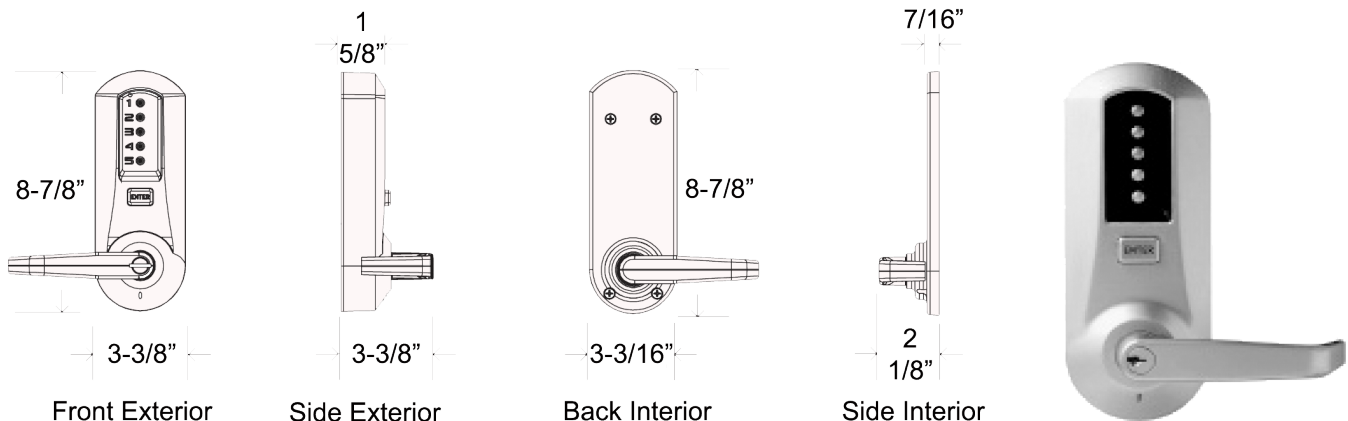
- Combination code: One code per lock made of any combination of one to five numbers (pressed individually or simultaneously)
- Number combinations: Thousands of possible combinations
- Code changing: Accomplish with the lever release combination change tool from the lock exterior (model 5021) or from the lock interior (model 5031)
- Emergency access: Mechanical key override

Certification and Testing

- Accessibility standard: Americans with Disabilities Act (ADA)
- Fire rating: Three-hour UL/ ULC Fire rating for "A" label doors
- Environmental operating conditions: Highly weather resistant
- Durability: ANSI/BHMA A156.2, Grade 1 Certified
- Warranty: 3 years

Stocking Part #'s

- 5021B-WL-26D-41 (I/C core Best)
- 5021S-WL-26D-41 (Removable core Schlage)
- 5021XK-WL-03-41 (KIL Kaba Keyway)
- 5021XK-WL-26D-41 (KIL Kaba Keyway)
- 5021XS-WL-26D-41 (KIL Schlage Keyway)
- Finishes:
Bright Brass 03 (605)
Satin Chrome 26D (626)



LP1000/2015 Series (Panic Device Operator)

Mechanical Features

- Construction: Heavy-duty cylindrical lock housing; all metal; cast front housing; brass mounting plate; fixed cast ADA compliant lever
 - Installation: Recessed through bolts may be required. Exit Device preparation.
 - Door handing: Factory-handed; not field reversible
 - Numeric pushbuttons: Vandal resistant, 5 button, anodized aluminum, mechanical
 - Weight: 8 lbs. (3.6 kg)
 - Strike: Not supplied. (Comes with Exit Device)
 - Latch & Exit Device: Not supplied
 - Key override: Compatible with major manufacturers of removable cores: ASSA, Best and Compatible (6 or 7-pin length) Corbin / Russwin, Medeco /Yale (6-pin length), Sargent, and Schlage
- Exit Device compatibility: • Von Duprin Exit Only (EO) or Exit Only Fire (EOF) 22, 88 NL, 98, 99, 9857, 9957 • Dorma 9100, 9300, 9400 • Detex Advantex Series 10, 20, 21, 40, 50, 51 • Monarch XX-R*, FXX-R, 18-R*, F-18-R*, XX-V*, F-XX-V*, 18-V*, F-18-V* (*Requires special k-hub adapter) • Cannot be used with mortise design or most vertical rod Exit Devices
- Tailpiece: 2-3/4" (70 mm) tailpiece for Exit Device operation from outside
 - Exit Device hub rotation: Up to 60°, counterclockwise for left hand & clockwise for right hand
 - Door thickness: 1-3/8" (35 mm) to 2-1/4" (57 mm); optional 4" (102 mm)
 - Control: Combination change tool
 - Minimum stile requirement: 5" (127 mm)

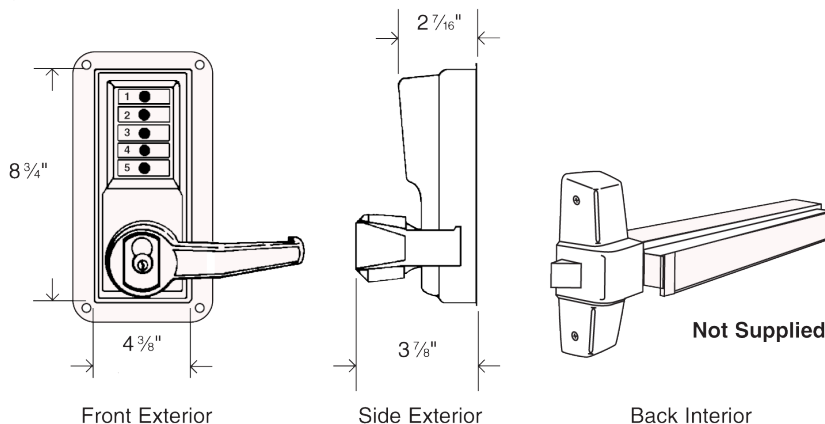
Lock Operation

- Combination code: One code per lock made of any combination of one to five numbers (pressed individually or simultaneously)
- Code: Thousands of possible combinations
- Emergency access: Mechanical Key override

Certification and Testing

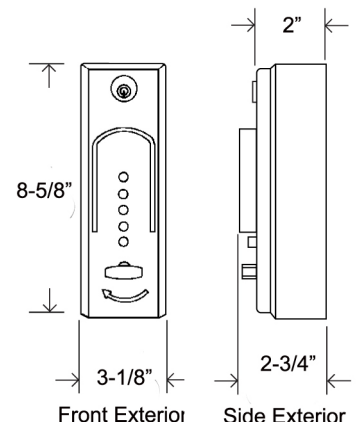
- Accessibility standard: Americans with Disabilities Act (ADA) for lever equipped lock
- Fire rating: Three-hour UL/ ULC rating for "A" label doors
- Environmental operating conditions: Highly weather resistant
- Durability: Conforms to ANSI 156.2, Grade 1
- Warranty: 1 year

NOTE: Exit Device may be "Dogged" without affecting the LP1000.



Stocking Part #'s

- LLP-1020B-26D-41
- LRP-1020B-26D-41 (combination entry w/key override, Best 6 or 7 pin)
- LLP-1020C-26D-41
- LRP-1020C-26D-41 (combination entry w/key override, Corbin/Russwin)
- LLP-1020R-26D-41
- LRP-1020R-26D-41 (combination entry w/key override, Sargent)
- LLP-1020S-26D-41
- LRP-1020S-26D-41 (combination entry w/key override, Schlage)
- 2015-26D-41
- Finishes: Satin Chrome 26D (626)



3000 Series (For use with Adams Rite) Stocking Part #'s

Mechanical Features

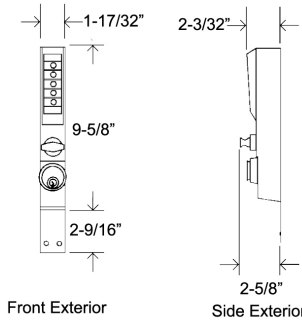
- Construction: All metal; cast front housing; force-proof clutch-protected fixed thumbturn
- Door handing: Factory-handed (drive assembly); not field reversible
- Numeric pushbuttons: Vandal resistant, 5 button, anodized aluminum, mechanical
- Weight: 4 lbs. (1.8 kg)
- Stile width: 1-7/8" (48 mm) minimum, required for mounting
- Door thickness: 1-3/4" (44 mm) maximum
- Strike: Provided by Adams Rite
- Latch: Provided by Adams Rite
- Backset: 3-1/32" (25 mm) or 1-1/8" (29 mm)
- Control: Includes DF59 key and screwdriver for combination change

Lock Operation

- Combination code: One code per lock made of any combination of one to five numbers (pressed individually or simultaneously)
- Code: Thousands of possible combinations
- Emergency access: Mechanical Key override

Certification and Testing

- Environmental operating conditions: Highly weather resistant
- Warranty: 1 year



- Finishes:
Satin Chrome 26D (626)
55 (695) Duranodic

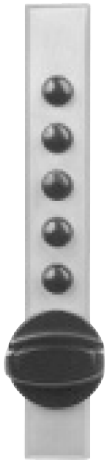
- 3001-26D-41
- 3001-55-41
- 3002-26D-41 (with cylinder guard)
- 3002-55-41 (with cylinder guard)

Drive Units

(not included w/ above)

- 3010-19-41 (Right Hand; Right Hand Reverse 31/32" backset)
- 3020-19-41 (Left Hand; Left Hand Reverse 31/32" backset)
- 3030-19-41 (Right Hand; Right Hand Reverse 1 1/8" or 1 1/2" backset)
- 3040-19-41 (Left Hand; Left Hand Reverse 1 1/8" or 1 1/2" backset)

C9600 Series

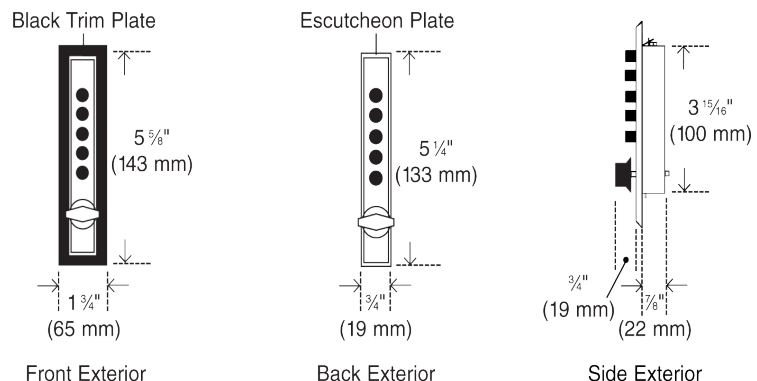
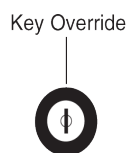


Mechanical Features

- Construction: All metal, cast face plate
- Installation: Horizontal or vertical. Two-step mortise installation using router or 5 1/2" (140 mm) x 1" (25 mm) slot with trim plate (for wood applications). Punched slot or series of 7/16" (11 mm) drilled holes (for metal applications)
- Door handing: None
- Numeric pushbuttons: Vandal resistant, 5 button, anodized aluminum, mechanical
- Weight: 1 lb. (0.5 kg)
- Bolt: End-throw/ cross-throw deadbolt (with manual relock); end-throw spring latch (with automatic relock)
- Door thickness: Wood doors: 5/8" (16 mm) to 7/8" (22 mm); sheet metal applications: 20 to 14 gauge

Stocking Part #'s

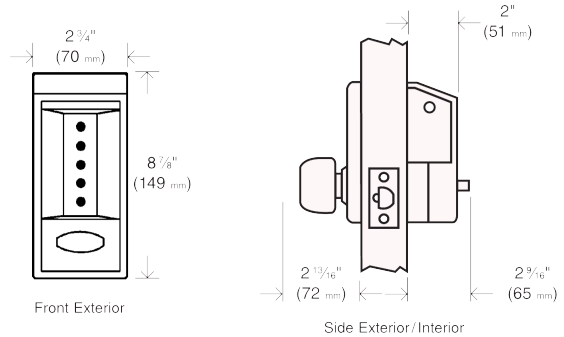
- C9601-26D-41
- Finishes:
Satin Chrome 26D (626)



6000 Series

Mechanical Features

- Construction: All metal; cast front housing; force-proof clutch-protected exterior thumbturn; interior reinforcing plate with brass trim plate; fixed wrought brass interior knob
- Installation: ASA 161 door preparation with additional feature holes; 2-1/8" (54 mm) diameter through bore for housing; 1" (25 mm) diameter cross bore for latch; 2 x 1/4" holes for mounting bolts. The lock can be inverted if the existing auxiliary lock obstructs installation
- Minimum stile requirement: 5" (127 mm)
- Door handing: Factory-handed left; field reversible
- Numeric pushbuttons: Vandal resistant, 5 button, anodized aluminum, mechanical
- Strike: TS strike plate; DB (Deadbolt) strike box
- Latch: 1/2" (13 mm) throw latch, floating or flat face plate
- Backset: 2-3/4" (70 mm) or 2-3/8" (60 mm) backset
- Door thickness: 1-3/8" (35 mm) to 2-1/4" (57 mm), wood or metal
- Control: Combination change tool



Lock Operation

- Combination code: One code per lock made of any combination of one to five numbers (pressed individually or simultaneously)
- Code: Thousands of possible combinations

Certification and Testing

- Fire rating: Three-hour UL/ ULC Fire rating for "A" label doors

Stocking Part #'s

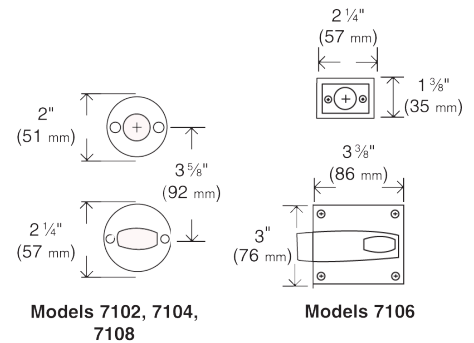
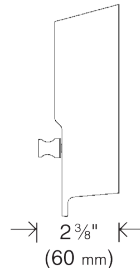
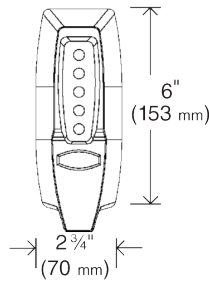
- 6214-60-41 (2-3/4" backset)
- 6214-86-41 (2-3/4" backset)
- 6218-60-41 (2-3/8" backset)
- 6218-86-41 (2-3/8" backset)

Finishes: 60 Gold Tone, 86 Gray powder paint

7100 Series

Mechanical Features

- Construction: All metal; cast front housing; force-proof clutch-protected exterior thumbturn for rim deadlocking models
- Installation: 1-3/8" diameter through bore for housing; 1" diameter cross bore for latch (except 7106); 3/4" through bore for combination change sleeve; 2 x 1/4" mounting bolts
- Minimum stile requirement: 4" (102 mm)
- Door handing: Field reversible
- Numeric pushbuttons: Vandal resistant, 5 button, anodized aluminum, mechanical
- Weight: 2-1/2 lbs. (1.1 kg)
- Strike: Models 7102 and 7108: Flat strike plate Model 7104: Curved lip strike plate Model 7106: Box strike for inswing doors and flat strike for outswing doors
- Latch: 1" tubular deadbolt, 1/2" deadlocking latch, 5/8" rim deadlocking latch
- Backset: 2-3/4" or 2-3/8" backset
- Door thickness: 1-3/8" to 2-1/4" , wood or metal
- Control: Standard Phillips screwdriver to change combination from the inside of the door (not included)



Front Exterior Side Exterior

Back Interior

Lock Operation

- Combination code: One code per lock made of any combination of one to five numbers (pressed individually or simultaneously)
- Code: Thousands of possible combinations



Stocking Part #'s

- 7102-03-41
- 7102-26D-41 (Tubular Deadbolt, 2-3/4" B.S.)
- 7104-03-41
- 7104-26D-41 (Tubular Deadlatch, 2-3/8" - 2-3/4" Adjustable B.S.)
- 7106-019-41
- 7106-26D-41 (Rim DeadLatch, 2-3/8" B.S.)
- 7108-03-41
- 7108-26D-41 (Tubular Deadbolt, 2-3/8" B.S.)

• Finishes: 03 (605) Bright Brass, 26D (626) Satin Chrome, 19 (676) Black powder paint

Light Commercial / Residential Locks Mechanical Features

- Construction: All metal; cast rear housing; force-proof clutch-protected thumbturn; exterior brass trim plate
- Installation: Rim type spring latch (surface mounted on inside of door); through-bore 1-5/8" for barrel, 3/4" (19 mm) for thumbturn and 7/8" (22 mm) for optional key override; face plate covers mounting holes
- Door handing: Field reversible latch. Invert the lock for right hand doors. Roman numerals are easily read in either orientation.
- Numeric pushbuttons: Vandal resistant, 5 button, anodized aluminum, mechanical
- Weight: 4 lbs. (1.8 kg)
- Strike: Includes strike plate for outswing doors, cast box strike for inswing doors. Metal door frames require the optional surface mortise box strike, or use of an adapter kit
- Latch: 1" (25 mm) deadbolt, or rim spring latch with deadlocking trigger and latch holdback
- Backset: 2-9/16" (65 mm) for outswing doors, 2-1/2" (64 mm) for inswing doors
- Door thickness: Standard models 1-3/8" (35 mm) to 1-1/2" (38 mm) or 1-3/4" (44 mm) to 2-1/8" (54 mm)
- Model 929: Lockset for DOD standards, 1- 3/4" (44 mm) to 2-1/8" (54 mm) only
- Model 929: 26D (626) Satin Chrome
- Control: Allen wrench for access to combination change



Stocking Part #'s

- 9020000-04-41
- 9020000-26D-41

- 9040000-04-41
- 9040000-26D-41

- 9060000-04-41

- 9100000-04-41

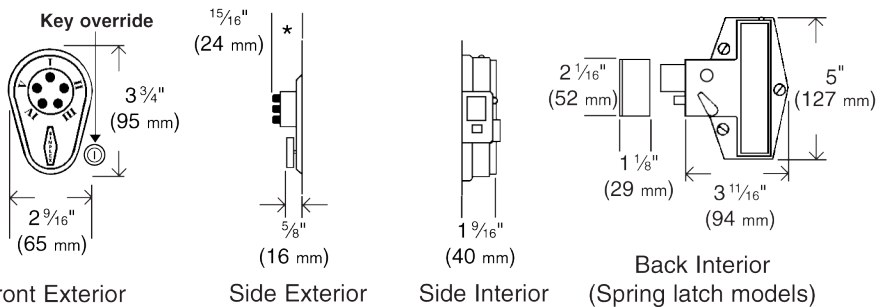
- 9170000-04-41
- 9170000-26D-41

- 9190000-04-41
- 9190000-26D-41

- 9290000-26D-41

- 9350000-04-41
- 9350000-26D-41

- 9380000-04-41
- 9380000-26D-41



Models 902, 904, 906, 910 are auxiliary locks with manual relock. Entry is by combination, egress is by interior thumbturn. They are deadbolt, with 1" (25 mm) throw, flat face plate.

- 902 Door thickness 1 3/8"-1 1/2" (35-38 mm)
- 904 Door thickness 1 3/4"-21/8" (44-54 mm)
- 906 Door thickness 1 3/8"- 11/2" (35-38 mm)
- Key override
- 910 Door thickness 1 3/4"-21/8" (44-54 mm)
- Key override

Models 917, 919, 920, 922, 929, 935, 938 have automatic relock. Entry is by combination, egress is by interior thumbturn. They have a deadlocking latch, with 5/8" (16 mm) throw, flat face plate. Model 929 is DOD compliant.

- 917 Primary / auxiliary lock Door thickness 1 3/8"-1 1/2" (35-38 mm) Latch holdback
- 919 Primary / auxiliary lock Door thickness 1 3/4"-2 1/8" (44-54 mm) Latch holdback
- 920 Auxiliary lock Door thickness 1 3/8"-1 1/2" (35-38 mm)
- 922 Auxiliary lock Door thickness 1 3/4"- 21/8" (44-54 mm)
- 929 Primary / auxiliary lock Door thickness 1 3/4"-2 1/8" (44-54 mm) DOD compliance Face plate shield & padlock clasp included
- 935 Primary / auxiliary lock Door thickness 1 3/8"- 1 1/2" (35-38 mm) Latch holdback Key override
- 938 Primary / auxiliary lock Door thickness 1 3/4"- 21/8" (44-54 mm) Latch holdback Key override

Finishes:

- 04 (633) Satin Brass
- 26D (626) Satin Chrome

E2000 Series Electronic

Mechanical Features

- Construction: Light-duty commercial cylindrical lockset, solid cast exterior housing, solid cast levers, cylindrical drive wear tested for extensive use in indoor and outdoor applications
- Numeric Keypad: Vandal resistant, solid metal pushbuttons
- Door Handing: Non-handed, pre-assembled for left-hand door installations – easily changed in the field
- Backsets: 2 3/4" (70 mm), 2 3/8" (60 mm)
Latch: 1/2" (13 mm) latch
- Minimum Stile Recommended: 5" (127 mm)
- Weight: 8 lbs. (3.63 kg)
- Key Override Key-In-Lever Cylinder: Kaba 1539 6-pin cylinder - Schlage C Keyway
- Interchangeable Cores: Small Format Best and equivalents (6 or 7-pin length)

Installation

- Ease of Installation: No wiring to or through the door - no risk of pinched wires
- Door Preparation: Easily installs on wood or metal doors. ASA 161 door preparation with 3 additional through bore holes
- Door Thickness: 1 3/8" (35 mm) to 2 1/2" (64 mm). Pre-assembled to accommodate doors 1 5/8" (41 mm) to 2" (50 mm)
- Items Supplied Include: Lock assembly, installation manual, template and required hardware
- Additional Items Supplied with Key-in-Lever Cylinder Model Only: Universal Kaba 1539 6-pin cylinder, two nickel silver keys, Schlage C Keyway

Certification and Testing

- Accessibility Standard: Americans with Disabilities Act (ADA)
- Fire Rating: UL 10C Fire rated
- Environmental: Indoor/Outdoor Approved -31° F (-35° C) to + 151° F (66° C)

Warranty

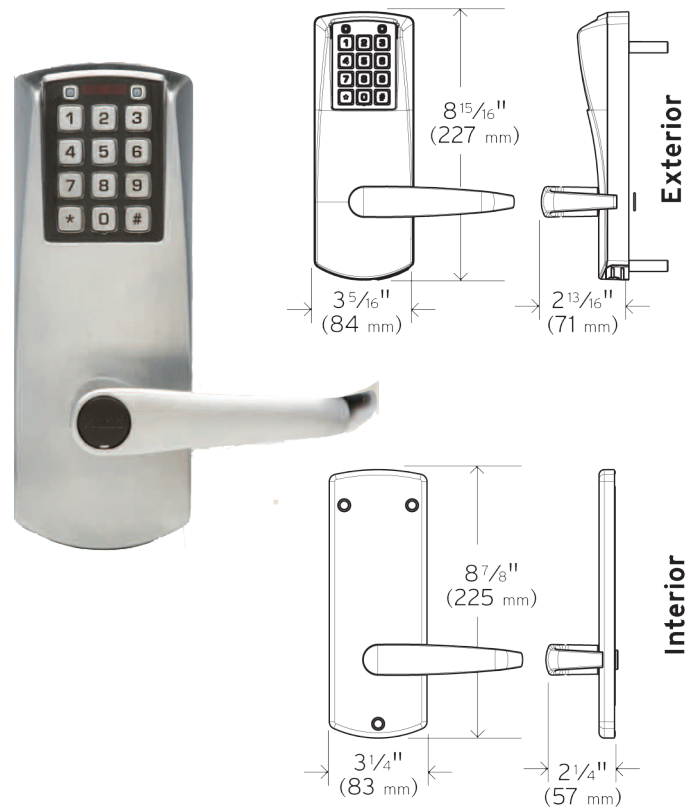
- Warranty: Two-year warranty from date of installation; built-in warranty counter in lock memory

Stocking Part #'s

- E2031-LL-606-41 (no key override)
- E2031-LL-626-41 (no key override)
- E2031-B-LL-626-41 (w/key override, Best 6 or 7 pin)
- E2031-XS-LL-04-41 (w/key override, Schlage C)
- E2031-XS-LL-626-41 (w/key override, Schlage C)

Electronic Features

- Access Control: Electronic pushbutton lock – eliminates problems and costs associated with issuing, controlling and collecting keys and cards
- Number of Codes: 100 access codes per door; over 100 million possible code combinations
- Programming: Locks are easily programmed via keypad
- Operation Modes: 3 operation modes PIN access Lockout
- Passage – can be toggled on / off or can be pre-programmed to re-lock after a certain number of hours
- Authority Levels: Four different levels allow you to control who has access to specific lock functions, including: Service codes - programmed for one time access or "come and go" access for 1 to 24 hours
- User Parameters: Code length Adjustable to accept 4 to 8 digits
- Anti-tamper lockout Adjustable from 3 to 9 invalid attempts with an adjustable period of 0 to 90 seconds
- Re-lock time Adjustable from 2 to 20 seconds
- Battery Operation: Batteries located in exterior housing; offers quick and easy battery replacements for institutions (Three AA Alkaline batteries provide more than 100,000 cycles) Lock data is maintained if batteries fail
- Ease of Installation: No wiring to or through the door - no risk of pinched wires



Finishes:

- Satin Chrome 26D (626)
- Satin Brass 04 (606)

E3000 Series Electronic

Mechanical Features

- **Construction:** Extra heavy-duty lockset, solid cast housing, solid cast lever or thumbturn wear tested for extensive use in indoor and outdoor applications
- **Numeric Keypad:** Vandal resistant, solid metal pushbuttons
- **Handing:** Non-handed, easily changed in the field
- **Standard Finish:** Satin Chrome 26D (626) housing and lever
- **Backset:** 31/32" (25 mm) minimum
- **Locking Devices:** Retrofits inside trim for Adams Rite® locks 1850, 1950, 4070, 4510, 4520, 4530, 4710, 4720, 4730, 4900, 4920AN, MS 1850S and MS 1950S Series (Not Included)
- **Minimum Stile Recommended:** 2" (51 mm)
- **Weight:** 5.1 lbs. (2.3 kg)

Key Override

- **Mortise Cylinder:** Mortise Cylinder in Schlage "C" Keyway

Installation

- **Ease of Installation:** No wire installation – eliminates wiring to or through the door - no risk of pinched wires
- **Door Preparation:** Easily installs on narrow stile doors with 4 mounting screws
- **Door Thickness:** 1-3/4" (44 mm)
- **Items Supplied Include:** Lock assembly, installation manual, quick reference guide, operations manual, installation template, cylinder, mounting hardware and batteries

Certification and Testing

- **Accessibility Standard:** Americans with Disabilities Act (ADA)
- **Durability:** Designed and fully tested to meet rigid life cycle test and operating reliability per BHMA Grade 1 requirements.
- **Environmental:** Indoor/Outdoor Approved
- **Front Housing:** -31° F (-35° C) to + 151° F (66° C)

Warranty

Warranty: Three-year warranty from date of installation; built-in warranty counter in lock memory

Stocking Part #'s

- E3065-MS-NL-626-41
- E3065-MS-NL-744-41

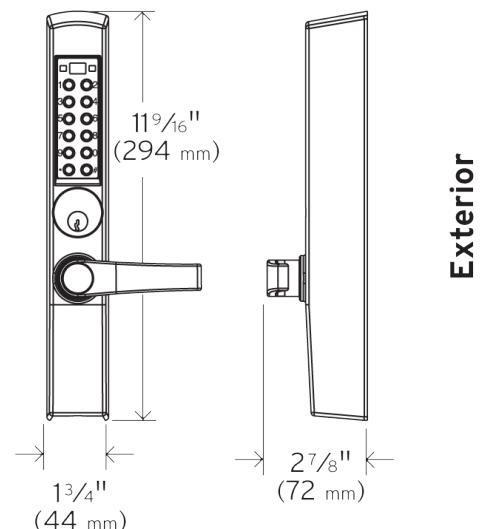
Finishes:

Satin Chrome 626
Dark Bronze 744



Electronics Features

- **Access Control:** Electronic pushbutton lock for narrow stile aluminum glass doors – eliminates problems and costs associated with issuing, controlling and collecting keys and cards
- **Number of Codes:** 300 access codes per door; over 100 million possible code combinations
- **Audit Trail:** The most recent 9,000 lock events are recorded in memory including use of the mechanical key override
- **Programming:** Locks are programmed via keypad or with optional Microsoft Excel based software - Simplifies management of doors and users as facility's number of users and access points grow
- **Operation Modes:** 4 operation modes: PIN access, Lockout, Passage – PIN or key enabled, can be pre-programmed to re-lock after a certain number of hours (from 1 to 24)
- **Latch Holdback** – PIN or key enabled, lever activated
- **Authority Levels:** Five different levels allow you to control who has access to specific lock functions, includes: Service codes - programmed for one time access or "come and go" access for 1 to 24 hours
- **User Parameters:** Code length Adjustable to accept 4 to 8 digits Anti-tamper lockout Adjustable from 3 to 9 invalid attempts with an adjustable period of 0 to 90 seconds Re-lock time Adjustable from 2 to 20 seconds
- **Battery Operation:** Batteries located in tamper proof base of outside housing. Four AA Alkaline batteries provide up to 180,000 cycles. Lock data is maintained if batteries fail. Warning light notifies low battery



E5000 Series Electronic

Mechanical Features

- Construction: Extra heavy-duty cylindrical lockset, solid cast housings, solid cast levers, cylindrical drive wear tested for extensive use in indoor and outdoor applications
- Numeric Keypad: Vandal resistant, solid metal pushbuttons
- Door Handing: Non-handed, pre-assembled for left-hand door installations – easily changed in the field
- Standard Finishes: Satin Chrome 26D (626) housings & levers
- Backsets: 2 3/4" (70 mm), 2 3/8" (60 mm)
- Latch: 1/2" (13 mm) latch
- Minimum Stile Recommended: 5" (127 mm)
- Weight: 8 lbs. (3.63 kg)

Key Override

- Universal Key-In-Lever Cylinders: Includes Kaba 1599 6-pin cylinder (prepped to Kaba 90 or Schlage C keyway, keyed different) and tailpieces for compatibility with: Abloy 5277, Abloy 5477, Arrow C 100, ASSA 65611, ASSA 65691, Corbin Russwin 2000-03, Kaba 1539, Kaba 1599, Kaba Gemini 4730, Kaba Peaks 1099, Marks, Medeco 20W200H1, Sargent 10 Line, Schlage 23-001, Schlage Primus 20-760
- Ease of Installation: LectroBolt™ (patent pending) eliminates wiring to or through the door - no risk of pinched wires
- Door Preparation: Easily installs on wood or metal doors. ASA 161 door preparation with additional through bore holes
- Door Thickness: 1 3/8" (35 mm) to 2 1/4" (57 mm). Pre-assembled to accommodate doors 1 5/8" (41 mm) to 2" (50 mm)
- Items Supplied Include: Lock assembly, installation manual, template, quick reference guide, operations manual and required hardware
- Additional Items Supplied With Key-in-Lever Cylinder Model Only: Universal Kaba 1599 6-pin cylinder with tailpiece, two nickel silver keys

Certification and Testing

- Accessibility Standard: Americans with Disabilities Act (ADA)
- Durability: ANSI/BHMA A156.25, Grade 1 Certification
- Fire Rating: Three-hour UL/ULC fire door rating for "A" labeled doors
- Environmental: Indoor/Outdoor Approved
- Front Housing: -31° F (-35° C) to + 151° F (66° C)
- Rear Housing: -31° F (-35° C) to + 130° F (55° C)

Warranty

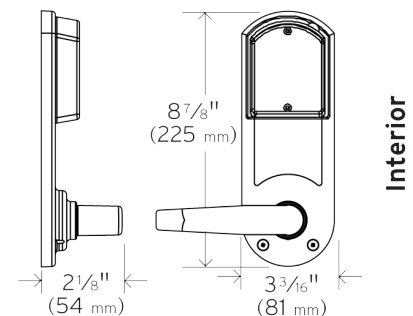
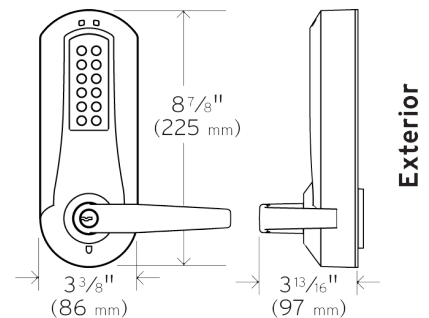
- Warranty: Three-year warranty from date of installation; built-in warranty counter in lock memory

Stocking Part #'s

- E5031-XK-WL-626-41 (w/key override, Kaba 90)
 - E5031-B-WL-626-41 (w/key override, Best 6 or 7 pin)
 - E5031-XS-WL-626-41 (w/key override, Schlage C)
- Finishes:**
Satin Chrome 626

Electronic Features

- Access Control: Electronic pushbutton lock – eliminates problems and costs associated with issuing, controlling and collecting keys and cards
- Number of Codes: 100 access codes per door; over 100 million possible code combinations
- Audit Trail: The most recent 3,000 lock events are recorded in memory including use of the mechanical key override
- Programming: Locks are programmed via keypad or with optional Microsoft Excel based software - Simplifies management of doors and users as facility's number of users and access points grow
- Operation Modes: 3 operation modes PIN access, Lockout, Passage – can be toggled on / off or can be preprogrammed to re-lock after a certain number of hours (from 1 to 24)
- Authority Levels: Five different levels allow you to control who has access to specific lock functions, includes: Service codes - programmed for one time access or "come and go" access for 1 to 24 hours
- User Parameters: Code length Adjustable to accept 4 to 8 digits
- Anti-tamper lockout Adjustable from 3 to 9 invalid attempts with an adjustable period of 0 to 90 seconds
- Re-lock time Adjustable from 2 to 20 seconds
- Battery Operation: Batteries located in interior housing cover; offers quick and easy battery replacements for institutions (Four AA Alkaline batteries provide up to 180,000 cycles) Lock data is maintained if batteries fail



- 201277-000-01 Cover for Shoe Housing for L1000 Series and 1000 Series
- 201336-000-01 Combination Change Sleeve for L1000 Series and 1000 Series
- 201773-000-01 Outside Lever Return Spring Kit RH for L1000 Series
- 201774-000-01 Outside Lever Return Spring Kit LH for L1000 Series
- 201732-000-01 Inside Lever Return Spring RH for L1000 Series
- 201734-000-01 Inside Lever Return Spring LH for L1000 Series
- 201727-000-01 Inside Lever Fixed Sleeve RH for L1000 Series
- 201733-000-01 Inside Lever Fixed Sleeve LH for L1000 Series
- 201782-000-01 Inside Drive Sleeve Assembly for L1000 Series and 1000 Series
- 201788-000-01 Clutch Assembly RH for L1000 Series
- 201789-000-01 Clutch Assembly LH for L1000 Series
- 201813-000-01 Drive Shaft Assembly (Key Override) for L1000 Series
- 201050-000-01 Standard Shaft Assembly Non Key Override for 1000 Series
- 201547-000-01 Key Override Shaft Assembly (Old #201267-045-01) for 1000 Series
- 74366-000-01 Combination Chamber (M-63/M-56) (Old # 201764-000-0) for L1000 Series and 1000 Series
- 74832-000-01 Combination Chamber for 5000 Series
- 74870-000-01 Combination Chamber (M64) (Old # 55013-000-01) for 6200 Series



Combination Chamber



Clutch Assembly