

NOW STOCKING - THE RESERVE™ LINE

The Reserve portfolio is for people who want more. They're looking for more ways to express themselves with the distinctive look of Baldwin and find value in a company with more years of experience and a bona fide commitment to greater quality. Far beyond just a lock in a box, Reserve opens the door to a customizable world flowing with inspiration. And it's all ready to go whenever inspiration strikes because it's ready to ship in just 5-7 days. Reserve is the best of both worlds: accessibility and artful appeal. Make a lasting impression with Reserve.



Chesapeake

Elizabeth

Seattle

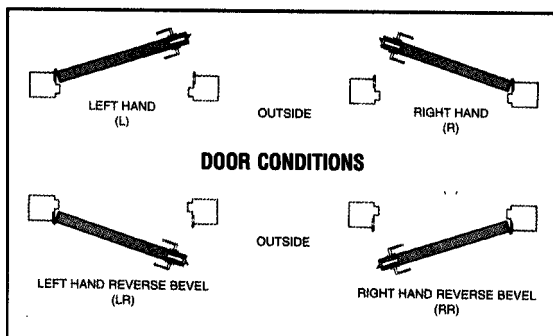
CROSS REFERENCE OF FINISH IDENTIFICATION NUMBERS

Finish Description	US No.	Baldwin	BHMA No.
The Lifetime Finish™ from Baldwin Polished Brass		003	
Polished Brass (Highly polished brass and lacquered)	3	030	605
Polished Brass, (No Lacquer, Highly polished brass)	3NL	031	
Vintage Brass		033	
Lacquered Vintag Brass		034	
Antique Brass		037	
Aged Brass		038	
Satin Brass (Satin polished and lacquered)	4	040	606
Satin Brass & Black (Oxidized relieved and lacquered)	5	050	609
Lifetime (PVD) Polished Nickel		055	
Lifetime (PVD) Satin Nickel		056	
Satin Brass & Brown (Oxidized, relieved and lacquered)	6	060	608
Oil Rubbed Bronze (Dull slightly oxidized, oil rubbed)	10B	102	613
Venetian Bronze (Relieved and matte lacquered)		112	
Satin Nickel Plated (Satin polished brass, nickel plated)	15	150	619
Antique Nickel, Dull (Nickel plated brass, oxidized, relieved & lacquered)	15A	151	620
Satin Black (Black lacquer over sanded brass)	19	190	622
Polished Chromium (Highly polished, plated on brass)	26	260	625
Satin Chromium (Satin polished, plated on brass)	26D	264	626
Bright Stainless Steel (Highly polished)	32	320	629
Satin Stainless Steel (Satin polished)	32D	324	630
Distressed Oil Rubbed Bronze		402	
Distressed Venetian Bronze		412	
Rustic Bronze		432	
Distressed Antique Nickel (matte lacquer)		452	

Accredited Lock
sells the complete line of
Baldwin Hardware.
Call our sales representatives
if you need items not featured
on these pages.

Over
8,500
Items in Stock
including:
 • Hinges
 • Kick Plates
 • Letter Box Plates
 • Push/Pull Plates
 • Lighting Products

Hardware NOT Available Distressed Includes:
All Mortise Locks, Cylinders, Latches & Strikes
Certain Levers & Handleset Trim



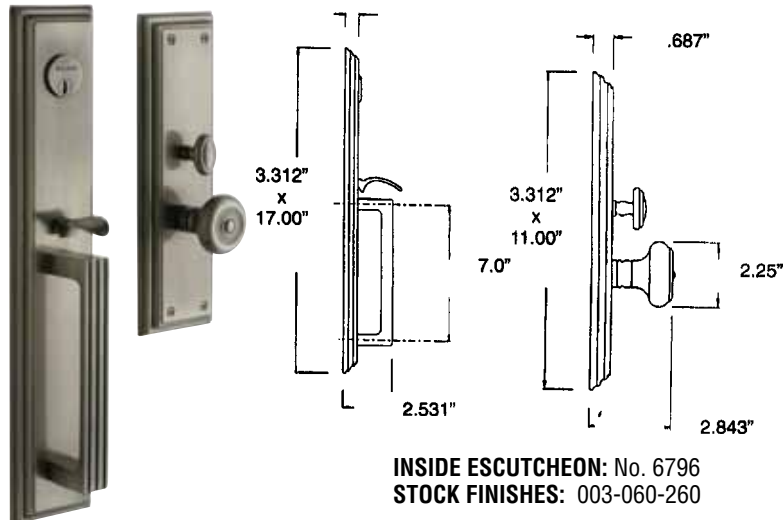
Accredited Lock Supply

• HANDLESET TRIM (FORGED BRASS)

Use Pro-Lok IN65-PRO/INCL-PRO Templates

Sets include outside trim and inside escutcheons only. Mortise lock and cylinder sold separately.

Tremont

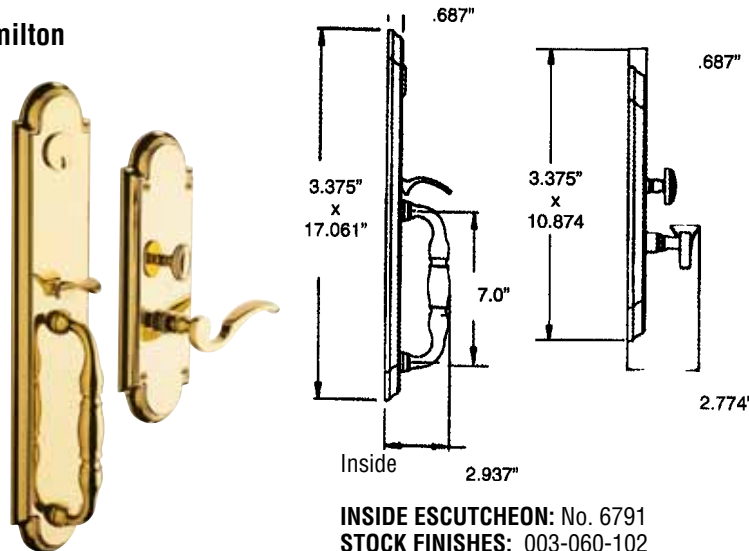


INSIDE ESCUTCHEON: No. 6796
STOCK FINISHES: 003-060-260

OUTSIDE TRIM ONLY: No. 6605
KNOB: No. 5066

BA6542-003	Polished Brass-Lifetime Finish	870.00
BA6542-060	Satin Brass and Brown	795.00
BA6542-150	Satin Nickel	795.00
BA6542-151	Antique Nickel, Dull	795.00
BA6542-260	Polished Chromium	795.00

Hamilton



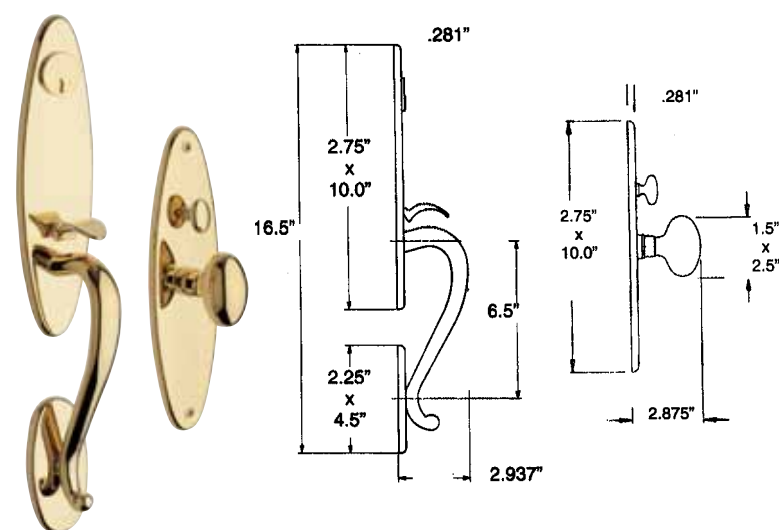
INSIDE ESCUTCHEON: No. 6791
STOCK FINISHES: 003-060-102

Outside

OUTSIDE TRIM ONLY: No. 6622
KNOB: No. 152

BA6544-003	Polished Brass-Lifetime Finish	870.00
BA6544-060	Satin Brass and Brown	795.00
BA6544-102	Oil Rubbed Bronze	795.00

Springfield

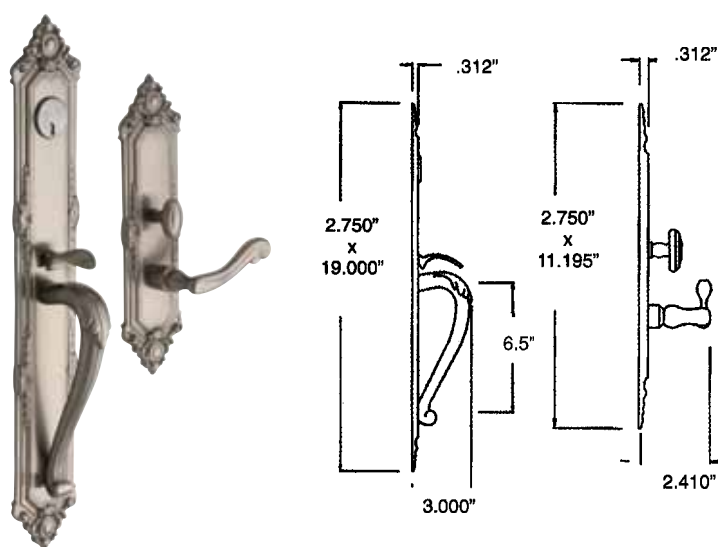


BA6573-003	Polished Brass-Lifetime Finish	570.00
BA6573-060	Satin Brass and Brown	495.00
BA6573-150	Satin Nickel Plated	495.00
BA6573-102	Oil Rubbed Bronze	495.00

OUTSIDE TRIM ONLY: No. 6628
KNOB: No. 5025

INSIDE ESCUTCHEON: No. 6798
STOCK FINISHES: 003-050-060-102-150

Kensington



BA6950-003	Polished Brass-Lifetime Finish	870.00
BA6950-150	Satin Nickel Plated	795.00
BA6950-151	Antique Nickel, Dull	795.00

OUTSIDE TRIM ONLY: No. 6624
KNOB: No. 5108

INSIDE ESCUTCHEON: No. 6790
STOCK FINISHES: 003-150-151

BALDWIN®

B

Accredited Lock Supply

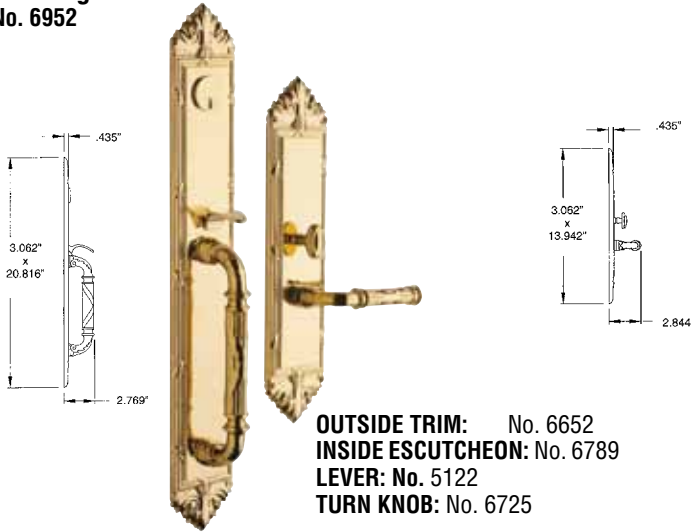
www.acclock.com

• HANDLESET TRIM (FORGED BRASS)

Use Pro-Lok IN65-PRO/INCL-PRO Templates

Sets include outside trim and inside escutcheons only. Mortise lock and cylinder sold separately.

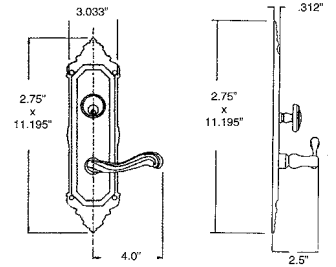
Edinburgh No. 6952



OUTSIDE TRIM: No. 6652
INSIDE ESCUTCHEON: No. 6789
LEVER: No. 5122
TURN KNOB: No. 6725

P/N	Finish	Function	Retail
BA6952-003-LDBL	Lifetime Brass	LH Double Cyl	870.00
BA6952-003-RDBL	Lifetime Brass	RH Double Cyl	870.00
BA6952-003-LENT	Lifetime Brass	LH Entrance	870.00
BA6952-003-RENT	Lifetime Brass	RH Entrance	870.00
BA6952-003-LFD	Lifetime Brass	LH Full Dummy	870.00
BA6952-003-RFD	Lifetime Brass	RH Full Dummy	870.00

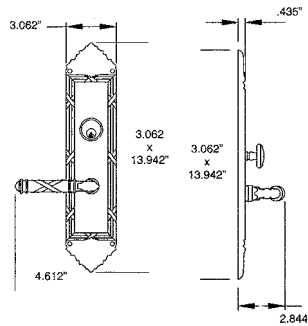
Westminster No. 6961



ESCUTCHEON: No. 6790
LEVER: No. 5103
TURN KNOB: No. 6725

P/N	Finish	Function	Retail
BA6961-003-LENT	Lifetime Brass	LH Entrance	570.00
BA6961-003-RENT	Lifetime Brass	RH Entrance	570.00
BA6961-003-LFD	Lifetime Brass	LH Full Dummy	570.00
BA6961-003-RFD	Lifetime Brass	RH Full Dummy	570.00

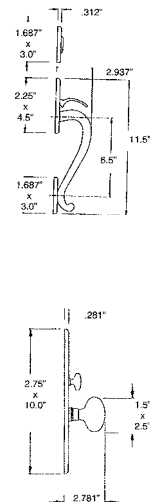
FENWICK No. 6962



ESCUTCHEON: No. 6739
LEVER: No. 5122
TURN KNOB: No. 6725

P/N	Finish	Function	Retail
BA6962-003-LENT	Lifetime Brass	LH Entrance	570.00
BA6962-003-RENT	Lifetime Brass	RH Entrance	570.00
BA6962-003-LFD	Lifetime Brass	LH Full Dummy	570.00
BA6962-003-RFD	Lifetime Brass	RH Full Dummy	570.00

LEXINGTON No. 6560



Outside

OUTSIDE TRIM ONLY: No. 6621
KNOB: No. 5025

Inside

INSIDE ESCUTCHEON: No. 6795
STOCK FINISHES: US003-050-060-102

BA6560-003	Polished Brass-Lifetime Finish	570.00
BA6560-050	Satin Brass and Black	495.00
BA6560-060	Satin Brass and Brown	495.00
BA6560-102	Oil Rubbed Bronze	495.00

- HANDLESET TRIM
- MORTISE LOCK BODIES

DEVONSHIRE - EMERGENCY EGRESS TUBULAR HANDLESET

No. 6401



LEVER: No. 5152

P/N	Finish	Function	Retail
BA6401-003-LENT	Lifetime Brass	LH Entrance	725.00
BA6401-003-RENT	Lifetime Brass	RH Entrance	725.00
BA6401-003-LFD	Lifetime Brass	LH Full Dummy	650.00
BA6401-003-RFD	Lifetime Brass	RH Full Dummy	650.00

MORTISE LOCK BODIES

Heavy Duty Functions For doors 1 3/8"-1 3/4" thick, and over. Available in the following finishes: 030, 050, 060, 102, 151, 190, 260, 264.

Standardized heavy steel case is smooth, easy to mortise, and assures snug and solid fit in door mortise. Vital interior working parts are made of solid hot forged brass or steel for a lifetime of trouble-free operation. Armored front provides maximum strength and protection against tampering. Most lock functions are completely reversible. The bevel of front is adjustable from flat to standard level .125" on 2".

UL LISTING: Listed by Underwriters Laboratories Inc. on all series of single-point locks or latches illustrated in this section. Control No. F-901Y.

STRIKE: Wrought brass and bronze finished to match. Supplied to ANSI standard A115.1 1/4" lip to center. Locks furnished standard with straight lip strike (Universal) and wrought Box. Curved lip and special length strikes available.

TEMPLATE: Metal doors/frames to be prepared in accordance with ANSI A115.2 or A115.11 FACE CUTOUTS ARE SUBJECT TO VARIATION. ALWAYS REVIEW TRIM REQUIREMENTS BEFORE DOOR PREPARATION.

FEDERAL SPECIFICATION: Conforms to Federal Specifications FF-H106, Series 86/87 and to all Performance and Structural Specifications of ANSI A156.13, Series 1000. Grade 1.

2 3/4" BACKSET

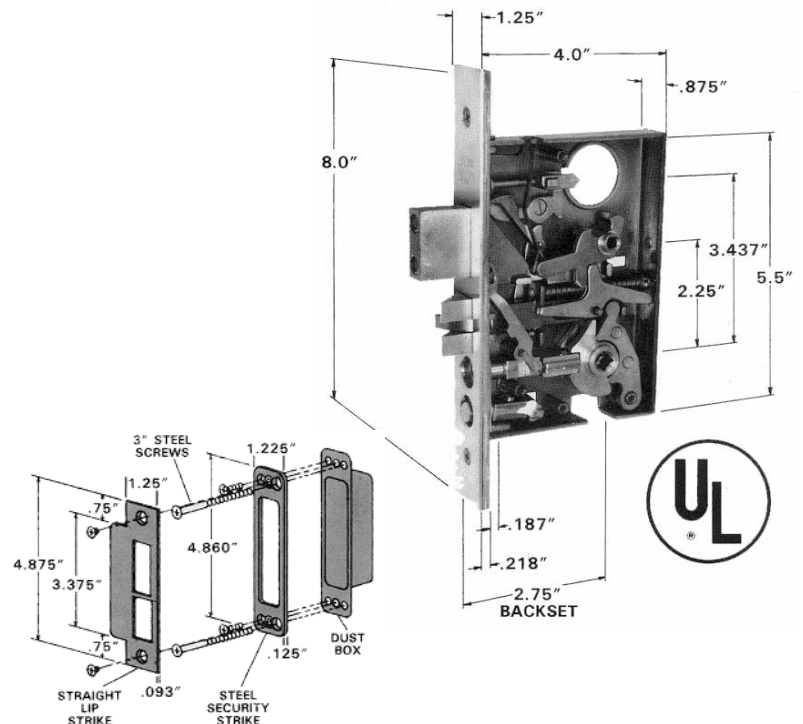
STEEL CASE: .875" x 5.5".

FRONT: Hot forged brass .218" x 1.25" x 8". Adjustable for beveled conditions.

SCALP: Wrought brass and bronze, available in standard finishes.

ANTI-FRICTION LATCH BOLT: Hot forged brass 5/8" x 1" x 7.5" throw. Furnished in US4 and 26D finishes to match trim.

DEAD BOLT: .5" x 1 1/4" x 1" throw with two saw-proof inserts. Furnished in US4 and 26D finishes to match trim.



HUB SIZE: 29" (7mm) with two-way rotation. Broached on the diamond. (One-way rotation on LS functions).

SPACING: Center to center of: Knob Hub to cylinder 3.437" Knob Hub to turn piece 2 1/4".

CYLINDER: Standard mortise type with 03 keyway and two nickel silver keys. Locks furnished separately are supplied with a 1.125" length cylinder unless specified otherwise.

KEYING: All levels of Keying including Construction Keying are available.

BALDWIN®

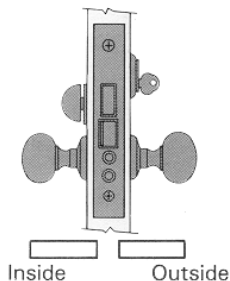
B

Accredited Lock Supply

www.acclock.com

2 3/4" Backset

ENTRANCE-EMERGENCY EGRESS



No. 6075 Knob Function
No. 6075-LS Lever Function

BA6075	Knob Function
BA6075 LS	Lever Function

365⁰⁰
003 Finish
055, 056

355⁰⁰
040 Finish
050, 060, 102,
150, 151

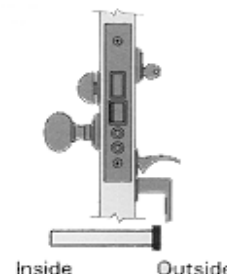
STANDARD FEATURES



Latch bolt by knob from either side, except when outside knob is locked by stop in front; then latch bolt by key outside and knob inside. Dead bolt by key outside and turn piece inside. When dead bolt is thrown, stop is automatically activated making outside knob rigid. Inside knob retracts latch and dead bolt simultaneously but DOES NOT free outside knob. 1" throw dead bolt with saw-proof inserts is standard equipment. When extended, Deadbolt deadlocks latch bolt.

FEDERAL SPECIFICATION EQUIVALENTS; ANSI Series: 1000-F12/F20

RESIDENTIAL ENTRANCE-EMERGENCY EGRESS



No. 6021 Knob Function
No. 6021-LS Lever Function

BA6021	Knob Function
BA6021 LS	Lever Function

365⁰⁰
003 Finish
055, 056

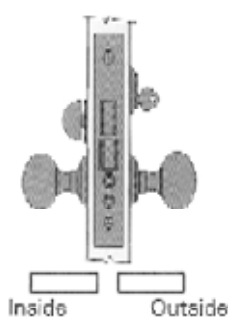
355⁰⁰
040 Finish
050, 060, 102,
150, 151

STANDARD FEATURES



Latch bolt by thumbpiece outside, and knob inside; except when thumbpiece is locked by stop in front; then latch bolt by key outside and knob inside. Dead bolt by key outside and turn piece inside. When dead bolt is thrown, stop is automatically activated making outside thumbpiece rigid. Inside knob retracts latch and dead bolt simultaneously but DOES NOT free outside thumbpiece. 1" (25mm) throw dead bolt with saw-proof inserts is standard equipment. When extended, Deadbolt deadlocks latch bolt.

RESIDENTIAL ENTRANCE



BA6001	Knob Function
BA6001 LS	Lever Function

365⁰⁰
003 Finish
055, 056

355⁰⁰
040 Finish
050, 060, 102,
150, 151

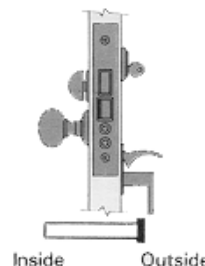
STANDARD FEATURES



Latch bolt by Knob from either side, except when outside knob is locked by stop in front; then latch bolt by key outside and knob inside. Deadbolt by key outside and turn piece inside. Continuous turn of key outside retracts both latch and Deadbolt. 1" throw dead bolt with saw-proof inserts is standard equipment. When extended, Deadbolt deadlocks latch bolt.

FEDERAL SPECIFICATION EQUIVALENTS; ANSI Series: 1000-F08/F10

RESIDENTIAL ENTRANCE



No. 6020 Knob Function
No. 6020-LS Lever Function

BA6020	Knob Function
BA6020 LS	Lever Function

365⁰⁰
003 Finish
055, 056

355⁰⁰
040 Finish
050, 060, 102,
150, 151

STANDARD FEATURES



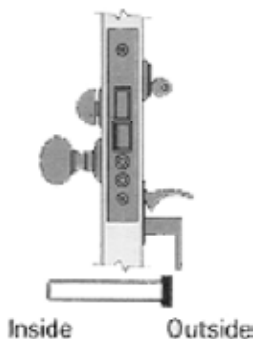
Latch bolt by thumb piece outside and knob inside, except when thumb piece is locked by stop in front; then latch bolt by key outside and knob inside. Dead bolt by key outside turn piece inside. Continuous turn of key outside retracts both latch and dead bolt 1" throw dead bolt with saw-proof inserts is standard. When extended, dead bolt deadlocks latch bolt.

FEDERAL SPECIFICATION EQUIVALENT: Government Type: 122A

•MORTISE LOCK BODIES

2 1/2" Backset

RESIDENTIAL ENTRANCE

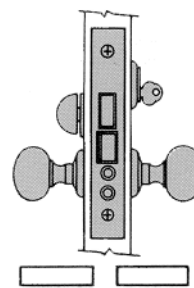


365⁰⁰ **355⁰⁰**
 003 Finish 040 Finish
 055, 056 050, 060, 102,
 150, 151

BA6320	Knob Function
BA6320 LS	Lever Function

Latch bolt by thumbpiece outside and knob inside, except when thumbpiece is locked by stop in front; then latch bolt by key outside and knob inside. Deadbolt by key outside and turn piece inside. Continuous turn of key outside retracts both latch and Deadbolt. 1" (25mm) throw Deadbolt with saw-proof inserts is standard equipment. When extended, Deadbolt deadlocks latch bolt.

RESIDENTIAL ENTRANCE



No. 6301 Knob Function
 No. 6301-LS Lever Function

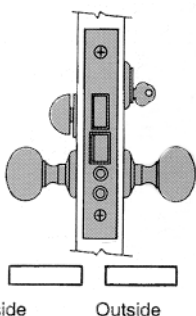
365⁰⁰ **355⁰⁰**
 003 Finish 040 Finish
 055, 056 050, 060, 102,
 150, 151

BA6301	Knob Function
BA6301 LS	Lever Function

Latch bolt by knob from either side, except when outside knob is locked by stop in front; then latch bolt by key outside and knob inside. Dead bolt by key outside and turn piece inside. When dead bolt is thrown, stop is automatically activated making outside knob rigid. 1" (25mm) throw dead with saw-proof inserts is standard equipment. When extended, Deadbolt deadlocks latch bolt.

ENTRANCE AND APARTMENT-EMERGENCY EGRESS

Not Field Reversible



No. 6375 Knob Function
 No. 6375-LS Lever Function

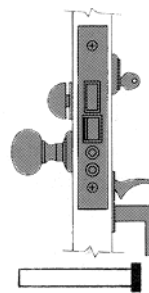
365⁰⁰ **355⁰⁰**
 003 Finish 040 Finish
 055, 056 050, 060, 102,
 150, 151

BA6375	Knob Function
BA6375 LS	Lever Function

Latch bolt by knob from either side, except when outside knob is locked by stop in front; then latch bolt by key outside and knob inside. Deadbolt by key outside and turn piece inside. When Deadbolt is thrown, stop is automatically activated making outside knob rigid. Inside knob retracts both latch and Deadbolt simultaneously but DOES NOT free outside knob. 1" throw Deadbolt with saw-proof inserts is standard equipment. When extended, Deadbolt deadlocks latch bolt.

RESIDENTIAL - EMERGENCY EGRESS

Not Field Reversible



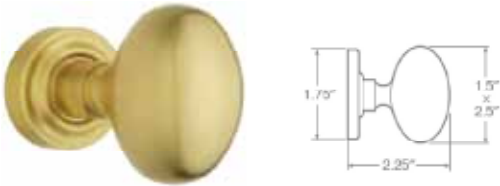
No. 6321 Knob Function
 No. 6321-LS Lever Function

365⁰⁰ **355⁰⁰**
 003 Finish 040 Finish
 055, 056 050, 060, 102,
 150, 151

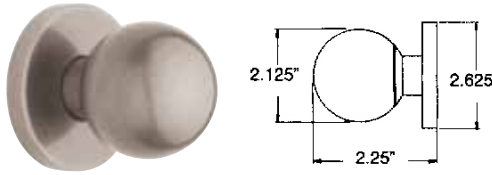
BA6321	Knob Function
BA6321 LS	Lever Function

Latch bolt by thumbpiece outside, and knob inside; except when thumbpiece is locked by stop in front; then latch bolt by key outside and knob inside. Dead bolt by key outside and turn piece inside. When dead bolt is thrown, stop is automatically activated making outside thumbpiece rigid. Inside knob retracts latch and dead bolt simultaneously but DOES NOT free outside thumbpiece. 1" (25mm) throw dead bolt with saw-proof inserts is standard equipment. When extended, Deadbolt deadlocks latch bolt.

DECORATIVE FORGED BRASS KNOB DESIGNS Roses and Spindles Sold Separately



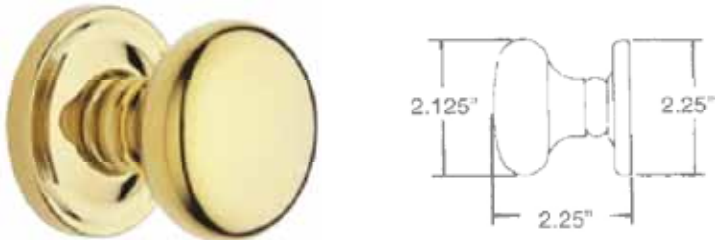
Roses & Spindles Sold Separately		Price/pr
BA5025-003	Lifetime Brass	140.00
BA5025-030	Polished Brass	120.00
BA5025-060	Satin Brass and Brown	120.00
BA5025-102	Oil Rubbed Bronze	120.00
BA5025-260	Polished Chromium	120.00
BA5025-264	Satin Chromium	120.00



Roses & Spindles Sold Separately		Price/pr
BA5041-003	Lifetime Brass	140.00
BA5041-030	Polished Brass	120.00
BA5041-102	Oil Rubbed Bronze	120.00
BA5041-150	Satin Nickel	120.00
BA5041-260	Polished Chromium	120.00
BA5041-264	Satin Chromium	120.00



Roses & Spindles Sold Separately		Price/pr
BA5064-003	Lifetime Brass	170.00
BA5064-030	Polished Brass	150.00
BA5064-060	Satin Brass/ Brown	150.00
BA5064-150	Satin Nickel	150.00



Roses & Spindles Sold Separately		Price/pr
BA5015-003	Lifetime Brass	140.00
BA5015-030	Polished Brass	120.00
BA5015-060	Satin Brass and Brown	120.00
BA5015-102	Oil Rubbed Bronze	120.00
BA5015-260	Polished Chromium	120.00
BA5015-264	Satin Chromium	120.00



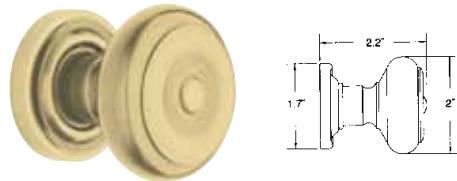
Roses & Spindles Sold Separately		Price/pr
BA5020-003	Lifetime Brass	140.00
BA5020-030	Polished Brass	120.00
BA5020-060	Satin Brass and Brown	120.00
BA5020-260	Polished Chromium	120.00



Roses & Spindles Sold Separately		Price/pr
BA5011-003	Lifetime Brass	180.00
BA5011-030	Polished Brass	160.00
BA5011-060	Satin Brass and Brown	160.00
BA5011-150	Satin Nickel	160.00



Roses & Spindles Sold Separately		Price/pr
BA5023-003	Lifetime Brass	140.00
BA5023-102	Oil Rubbed Bronze	120.00
BA5023-112	Venetian Bronze	120.00
BA5023-402	Distressed Oil Rubbed Bronze	140.00



Roses & Spindles Sold Separately		Price/pr
BA5005-003	Lifetime Brass	170.00
BA5005-030	Polished Brass	150.00
BA5005-050	Satin Brass and Black	150.00
BA5005-060	Satin Brass and Brown	150.00

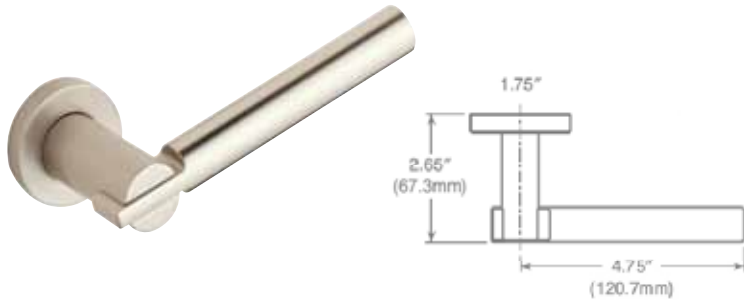


Roses & Spindles Sold Separately		Price/pr
BA5077-003	Lifetime Brass	140.00
BA5077-030	Polished Brass	120.00
BA5077-150	Satin Nickel	120.00
BA5077-260	Polished Chromium	120.00
BA5077-264	Satin Chromium	120.00



Roses & Spindles Sold Separately		Price/pr
BA5066-003	Lifetime Brass	180.00
BA5066-030	Polished Brass	160.00
BA5066-060	Satin Brass and Brown	160.00
BA5066-260	Polished Chromium	160.00

DECORATIVE FORGED BRASS LEVER DESIGNS Roses and Spindles Sold Separately



Roses & Spindles Sold Separately		Price/pr
BA5161-003	Lifetime Brass	170.00
BA5161-030	Polished Brass	150.00
BA5161-060	Satin Brass and Brown	150.00
BA5161-260	Polished Chromium	150.00



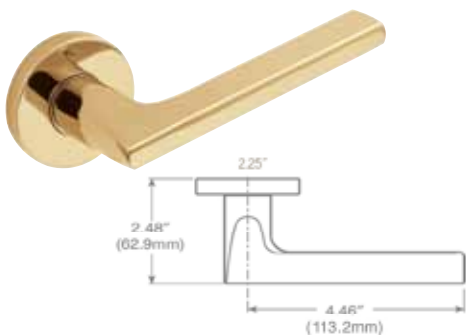
Roses & Spindles Sold Separately		Price/pr
BA5104-003	Lifetime Brass	170.00
BA5104-030	Polished Brass	150.00
BA5104-060	Satin Brass and Brown	150.00



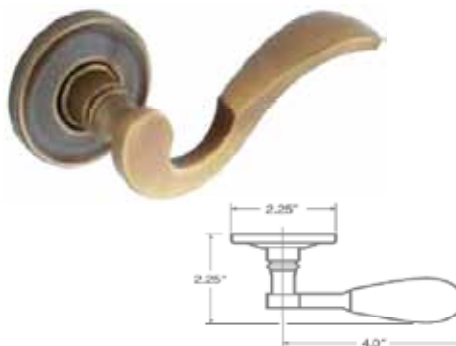
Roses & Spindles Sold Separately		Price/pr
BA5116-003	Lifetime Brass	180.00
BA5116-030	Polished Brass	160.00
BA5116-060	Satin Brass and Brown	160.00



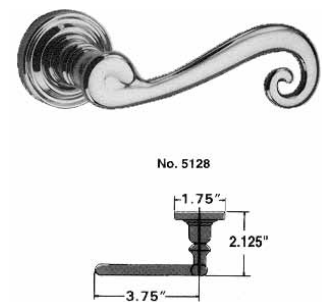
Roses & Spindles Sold Separately		Price/pr
BA5117-003	Lifetime Brass	170.00
BA5117-030	Polished Brass	150.00
BA5117-102	Oil Rubbed Bronze	150.00
BA5117-260	Polished Chromium	150.00
BA5117-264	Satin Chromium	150.00



Roses & Spindles Sold Separately		Price/pr
BA5162-003	Lifetime Brass	170.00
BA5162-030	Polished Brass	150.00
BA5162-060	Satin Brass and Brown	150.00



Roses & Spindles Sold Separately		Price/pr
BA5152-003	Lifetime Brass	170.00
BA5152-030	Polished Brass	150.00
BA5152-060	Satin Brass and Brown	150.00



DWO - Call for availability

Roses & Spindles Sold Separately		Price/pr
BA5128-050	Satin Brass & Black	116.60
BA5128-060	Satin Brass and Brown	116.60
BA5128-151	Antique Nickel	116.60

•NUMBERS •SLIDING DOOR LOCKS

DECORATIVE FORGED BRASS HOUSE NUMBERS

Designed for attractiveness and easy reading. Numerals are surface applied with truss head wood screws for easy installation. Comes complete with fasteners. Packed on a merchandising card, 5 per box.

5" NUMBERS



Code	Finish	Price
BA90670-BA90679	003 Lifetime Brass	23.00
BA90670-BA90679	055 Lifetime Polished Nickel	23.00
BA90670-BA90679	056 Lifetime Satin Nickel	23.00
BA90670-BA90679	102 Oil Rubbed Bronze	20.00
BA90670-BA90679	112 Venetian Bronze	20.00
BA90670-BA90679	150 Satin Nickel	20.00
BA90670-BA90679	151 Antique Nickel	20.00
BA90670-BA90679	190 Satin Black	20.00

BA906700
BA906711
BA906722
BA906733
BA906744
BA906755
BA906766
BA906777
BA906788
BA906799

PATIO DOOR LOCKS

Introducing the new pocket door lock from Baldwin. Check out the Boulder, Palo Alto and Santa Monica large and small. Available in up to 20 finishes, and four styles, we have the pocket door lock for every design aesthetic. Baldwin offers these four styles in privacy, passage and keyed entry, in the highest quality; just what you expect from Baldwin. Unlock your design inspiration.

SANTA MONICA - LARGE

8.3" H
2.3" W
Minimum Door Thickness: 1.75"



2.5" Backset

BAPD005-003-PASS	Passage	Lifetime Brass	520.00
BAPD005-151-PASS	Passage	Antique Nickel	470.00
BAPD005-003-PRIV	Privacy	Lifetime Brass	590.00
BAPD005-151-PRIV	Privacy	Antique Nickel	535.00

SANTA MONICA - SMALL

5.5" H
2.3" W
Minimum Door Thickness: 1.375"



2.5" Backset

BAPD006-003-PASS	Passage	Lifetime Brass	480.00
BAPD006-151-PASS	Passage	Antique Nickel	430.00
BAPD006-003-PRIV	Privacy	Lifetime Brass	550.00
BAPD006-151-PRIV	Privacy	Antique Nickel	495.00

PALO ALTO

8.1" H
2.4" W
Minimum Door Thickness: 1.375"



2.5" Backset

BAPD007-003-PASS	Passage	Lifetime Brass	480.00
BAPD007-151-PASS	Passage	Antique Nickel	430.00
BAPD007-003-PRIV	Privacy	Lifetime Brass	550.00
BAPD007-151-PRIV	Privacy	Antique Nickel	495.00

BOULDER

9.3" H
2.3" W
Minimum Door Thickness: 1.375"



2.5" Backset

BAPD016-003-PASS	Passage	Lifetime Brass	500.00
BAPD016-151-PASS	Passage	Antique Nickel	450.00
BAPD016-003-PRIV	Privacy	Lifetime Brass	570.00
BAPD016-151-PRIV	Privacy	Antique Nickel	515.00

MORTISE LOCK BODIES

- Standardized heavy steel case is smooth, easy to mortise, and assures snug and solid fit in door mortise.
- Vital interior working parts are made of solid hot forged brass or steel for a lifetime of trouble-free operation.
- All lock cases are constructed of heavy gauge steel (.093-2.4mm) material and plated with a protective rust-resistant coating to retard oxidation.

Passage



BA8601-003	Passage	Lifetime Brass	280.00
BA8601-151	Passage	Antique Nickel	260.00

Privacy/Entry



2.5" Backset

BA8632-003	Pri./Ent.	Lifetime Brass	310.00
BA8632-151	Pri./Ent.	Antique Nickel	290.00

•KNOCKERS •Knockers Accesories

DECORATIVE ENTRANCE DOOR KNOCKERS

- Always specify the door thickness when ordering door knockers with Observ-O-Scopes, otherwise the standard for 1 3/4" (44mm.) doors will be provided.
- Available in finishes other than the stock items listed below.
- Polybagged, packed one in a box, with necessary fasteners.



IMPERIAL

BA0116-003	Lifetime Polished Brass	92.00
BA0116-030	Polished Brass	79.00
BA0116-050	Satin Brass & Black	79.00
BA0116-056	Lifetime Satin Nickel	92.00
BA0116-060	Satin Brass and Brown	79.00
BA0116-102	Oil Rubbed Bronze	79.00
BA0116-112	Venetian Bronze	79.00
BA0116-150	Satin Nickel	79.00
BA0116-151	Antique Nickel	79.00

SIZE: 8.5" x 4.125" (216 x 104mm)
CTC of bolts: 4.75" (121mm)



VICTORIAN

BA0110-003	Lifetime Polished Brass	92.00
BA0110-060	Satin Brass and Brown	69.00
BA0110-150	Satin Nickel	69.00
BA0110-151	Antique Nickel, Dull	69.00

SIZE: 7.00" x 3.5" (178 x 89mm)
CTC of bolts: 6.437" (163mm)



TAHOE

BA0105-003	Lifetime Polished Brass	103.00
BA0105-050	Satin Brass and Black	87.00
BA0105-056	Lifetime Satin Nickel	103.00
BA0105-102	Oil Rubbed Bronze	87.00
BA0105-112	Venetian Bronze	87.00
BA0105-150	Satin Nickel	87.00
BA0105-151	Antique Nickel	87.00
BA0105-190	Satin Black	87.00
BA0105-264	Satin Chrome	87.00
BA0105-452	Distressed Antique Nickel	103.00

SIZE: 5.5" x 4.03"
CTC of bolts: 4"

"S" KNOCKER



SIZE: 2" dia. base (51mm)
7.75" high (197mm)
2.75" projection (70mm)
CTC of Bolts: 5" (127mm)

BA0113-003	Lifetime Brass	163.00
BA0113-060	Satin Brass and Brown	138.00
BA0113-102	Oil Rubbed Bronze	138.00
BA0113-112	Venetian Bronze	138.00
BA0113-150	Satin Nickel	138.00
BA0113-151	Antique Nickel, Dull	138.00



RING

BA0195-003	Lifetime Brass	140.00
BA0195-260	Polished Chromium	119.00

SIZE: 4.25" x 5.5" (108 x 140mm)
CTC of bolts: 3.75" (95mm)

COLONIAL

BA0102-003	Lifetime Brass	74.00
BA0102-151	Antique Nickel	63.00

w/Observ-O-Scope

BA0103-003	Lifetime Brass	96.00
BA0103-151	Antique Nickel	81.00



SIZE: 6.5" x 3.5" (165 x 89mm)
CTC of bolts: 4" (102mm)

SCREW COVERS

Specially designed 1"-diameter screw cover that conceals the screw head. When ordering, specify finish to match door knocker.

18⁰⁰ /ea.
003 Finish

STOCK FINISHES: Available in finishes to match our door knockers.



BA0129
Use with Colonial Designs

BA0175
Use with Modern Designs

BALDWIN®

B

Accredited Lock Supply

www.acclock.com

- FLUSH BOLTS
- LATCHES
- Extension Flush Bolts
- SURFACE BOLTS

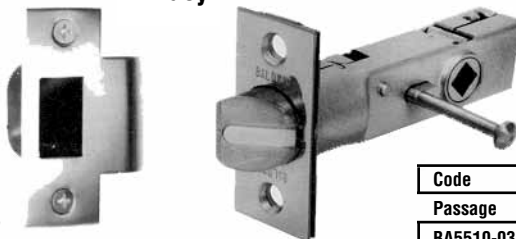
TUBULAR LATCH SETS

A step above ordinary zinc die cast tubular latches. Features sturdy non-corrosive construction and heavy gauge stainless steel housing. All components are forged brass.

Packed one per box supplied with wrought box strike, wood fasteners and template.

Specify choice of finish: **030, 040, 050, 060, 100, 151, 260, 264**

Privacy



Passage



FOR ESTATE KNOBS & LEVERS ONLY

Code	Trim	Backset	Price
Passage			
BA5510-030	Knob	2 3/8"	55.00
BA5513-030	Lever	2 3/8"	55.00
BA5520-030	Knob	2 3/4"	55.00
BA5523-030	Lever	2 3/4"	55.00
Privacy			
BA5510-P-030	Knob	2 3/8"	55.00
BA5513-P-030	Lever	2 3/8"	55.00
BA5520-P-030	Knob	2 3/4"	55.00
BA5523-P-030	Lever	2 3/4"	55.00

ORNAMENTAL HEAVY DUTY SURFACE BOLTS

Rugged, yet attractive. Heavy gauge strikes can absorb great abuse. Ornamental cover plates that conceal mounting guides under the bolts without marring the surface of the rod. Features a large - 1 1/4" diameter knob for easy operation. Codes BA0378 and BA0379 are packed five in a box with a Universal strike and screws. All other reference numbers are packed individually, with Universal strike and screws. Width of rod: 5/8" (16 mm.) Width of guide: 1 3/4" (44mm.)



Code	Finish	Bolt Length	No. of Covers	Price
BA0378-030	Polished Brass	4"	2	60.00
BA0379-030	Polished Brass	6"	2	75.00
BA0380-003	Lifetime Brass	8"	2	111.00
BA0380-102	Oil Rubbed Bronze	8"	2	95.00
BA0381-102	Oil Rubbed Bronze	12"	3	119.00
BA0382-030	Polished Brass	18"	3	138.00
BA0383-030	Polished Brass	24"	4	164.00

EXTENSION FLUSH BOLTS

FOR WOOD/METAL DOORS

Solid Forged Brass Construction

SIZE: Face Plate - 1" x 6 3/4"

FEATURES: HOT FORGED extension bolt with over 3/4" throw. Unique push button design of lever and delay action for easy operation. Lever does not engage the bolt until it is hinged freely to 45° angle. At this position, it is easy to move the bolt head. Lever snaps automatically when hinged beyond 45° angle. Made to template for easy installation in metal door frames. Use of strike optional. Bolt Head Diameter: .5". Rod Backset: 3/4".

PACKED: One in a box with 12" rod. Each bolt is individually polybagged with combination machine/wood screws for all conditions.

UL LISTINGS: Listed by Underwriters Laboratories Inc. under Control NO. 760N.

FEDERAL SPECIFICATIONS EQUIVALENTS: Government Type: 1049; BHMA Designation: L04201.

BA0600-003	Lifetime Brass	29.00
BA0600-030	Polished Brass	28.00
BA0600-102	Oil Rubbed Bronze	28.00
BA0600-260	Polished Chromium	28.00
BA0600-264	Satin Chromium	28.00

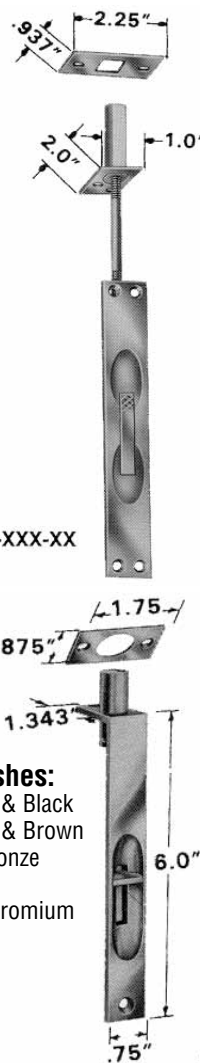
RESIDENTIAL FLUSH BOLTS

FEATURES: Smooth forged brass construction. Sharply defined edge and recess. Smooth working action with automatic holding spring for both retracted and projected positions. High quality flush bolt; not to be mistaken for wrought metal types.

PACKED: Individually polybagged with screws and strike; 10 in a box.

Catalog Number	Throw	Backset of Rod	Bolt Head Diameter
0626	1" (25 mm)	.468" (12 mm)	.5" (13 mm)

BA0626-030	Polished Brass	22.00
BA0626-102	Oil Rubbed Bronze	22.00
BA0626-264	Satin Chromium	22.00



No. 0600-XXX-XX

Also available in the following finishes:
 050 Satin Brass & Black
 060 Satin Brass & Brown
 112 Venetian Bronze
 150 Satin Nickel
 260 Polished Chromium

No. 0626

TWO-POINT LOCKING HANDLESETS

MECHANICAL FEATURES-TWO-POINT LOCK SETS

- **SOLID FORGED BRASS:** Entrance handle, cylinder collar, knob, rose and turn piece are manufactured of solid forged brass for maximum strength and durability.
- **INSTALLATION:** Images lock sets are designed for easy installation on wood or metal doors with use of template provided.
- **DOOR THICKNESS:** Lock sets accommodate a door thickness of 1-3/4" (44mm) to 2" (51 mm). For thicker doors, weld extension to tailpiece.
- **CASE:** Deadbolt and latch case are formed of steel for strength. Most interior working parts are made of solid brass or steel for maximum strength and smooth operation.
- **BACKSET:** Adjustable backset 2-3/8" (60mm), 2-3/4" (70mm) latch and deadbolt supplied standard.
- **FACE PLATE:** Deadbolt and latch supplied with a 1" (25mm) face plate.
- **DOOR PREP:** Designed to fit 2-1/8" face bore with 3-hole prep.

Functions available include:

Entrance



From exterior:
Key and thumb piece operate handleset latch; key operates deadbolt.

From interior:
Knob operates latch; turn piece operates deadbolt.

Double Cylinder



From exterior:
Key and thumb piece operate handleset latch; key operates deadbolt.

From interior:
Knob operates latch; key operates deadbolt.

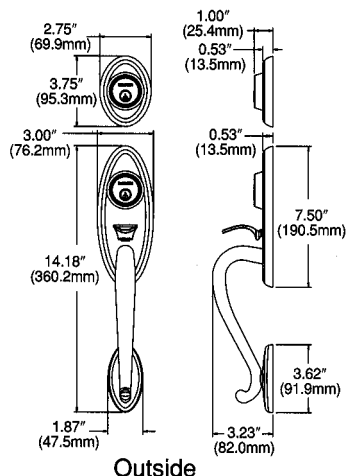
Full Dummy



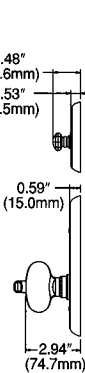
Trim for non-working side of double doors. Matching dummy trim (non-functioning) handleset and interior trim.

- **STRIKE:** Deadbolt is furnished with a specially designed reinforcing strike constructed of high grade steel for ultimate strength and durability. The strike is installed with two (2) 3" (76mm) security jamb screws and a dust box. The security strike is covered with an armored front to conceal the fasteners. The 3" screws securing the inside face of the double cylinder deadbolt resist tampering and guard against theft. Latches are supplied standard with a box strike (other strikes are available at an additional charge.)
- **DISTANCE BETWEEN CENTER OF LATCH AND DEADBOLT (CTC):** Lockset accommodates any center-to-center dimension greater than 4-3/4" (121 mm).
- **BOLT:** Deadbolt and latch bolt constructed of solid brass. Deadbolt has 1" (25mm) throw when extended and a hardened steel insert for maximum protection and security. Latch bolt has a .5" (13mm) throw when extended to fully engage the door jamb.
- **CYLINDER:** Cylinder supplied with 5-pin keying. Cylinder is protected with a free-turning cylinder guard to resist gripping or twisting.
- **KEYS:** Designed with a 1-1/4" (32mm) wide bow surface to facilitate use by disabled and physically challenged people.

LANDON



Egg Knob



Wave Lever

Call For Stocked Finishes

w/Egg Knob

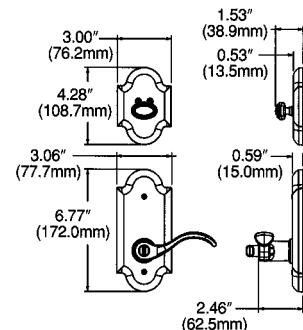
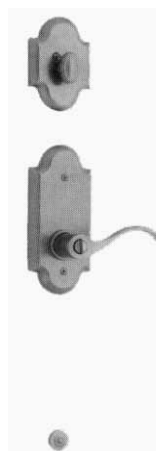
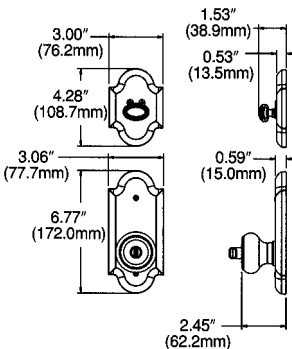
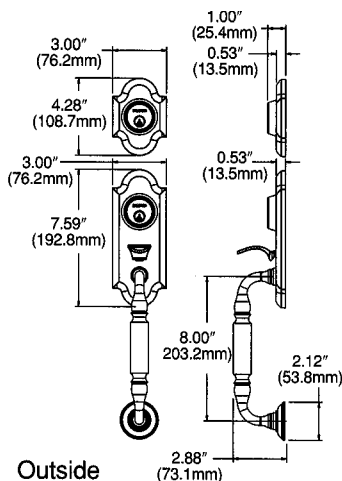
Part No.	Lockset Description	Finish.	Retail
BA5345-003-2ENT	Entrance, Single Cyl. w/Dbt	Lifetime Brass	625.00
BA5345-003-2DC	Entrance, Dbl. Cyl. w/Deadbolt	Lifetime Brass	650.00
BA5345-003-2FD	Full Dummy, Dummy Ddblt.	Lifetime Brass	550.00

w/Wave Lever (specify RH or LH)

Part No.	Lockset Description	Finish.	Retail
BA5345-003-2LH	Entrance, Single Cyl. w/Dbt.	Lifetime Brass	625.00
BA5345-003-2RH	Entrance, Single Cyl. w/Dbt	Lifetime Brass	625.00
BA5345-003-2DCR	Entrance, Dbl. Cyl. w/Deadbolt	Lifetime Brass	650.00
BA5345-003-2DCL	Entrance, Dbl. Cyl. w/Deadbolt	Lifetime Brass	650.00
BA5345-003-2RFD	Full Dummy	Lifetime Brass	550.00
BA5345-003-2LFD	Full Dummy	Lifetime Brass	550.00

2 Pt. Entrance Locks

ASHTON



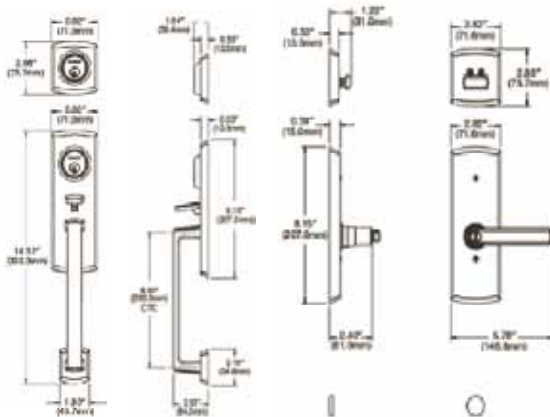
w/Wave Lever (specify RH or LH)

Part No.	Lockset Description	Finish.	Retail
BA5365-003-2LH	Entrance, Single Cyl. w/Dblt.	Lifetime Brass	675.00
BA5365-003-2RH	Entrance, Single Cyl. w/Dblt	Lifetime Brass	675.00
BA5365-003-2DCR	Entrance, Dbl. Cyl. w/Deadbolt	Lifetime Brass	700.00
BA5365-003-2DCL	Entrance, Dbl. Cyl. w/Deadbolt	Lifetime Brass	700.00
BA5365-003-2RFD	Full Dummy	Lifetime Brass	600.00
BA5365-003-2LFD	Full Dummy	Lifetime Brass	600.00

w/Colonial Knob

Part No.	Lockset Description	Finish.	Retail
BA5365-003-2ENT	Entrance, Single Cyl. w/Dblt	Lifetime Brass	675.00
BA5365-003-2DC	Entrance, Dbl. Cyl. w/Deadbolt	Lifetime Brass	700.00
BA5365-003-2FD	Full Dummy, Dummy Ddbl.	Lifetime Brass	600.00

SOHO



BA5385

w/Soho Lever (specify RH or LH)

Part No.	Lockset Description	Finish.	Retail
BA5385-003-2LH	Entrance, Single Cyl. w/Dblt.	Lifetime Brass	675.00
BA5385-003-2RH	Entrance, Single Cyl. w/Dblt	Lifetime Brass	675.00
BA5385-003-2DCR	Entrance, Dbl. Cyl. w/Deadbolt	Lifetime Brass	700.00
BA5385-003-2DCL	Entrance, Dbl. Cyl. w/Deadbolt	Lifetime Brass	700.00
BA5385-003-2RFD	Full Dummy	Lifetime Brass	600.00
BA5385-003-2LFD	Full Dummy	Lifetime Brass	600.00

Available Finishes: 003, 031,050, 055,
056, 102, 112, 150,
151,190, 260, 264,
402, 412, 452

Many finishes and functions in stock. Call your sales rep for more information.

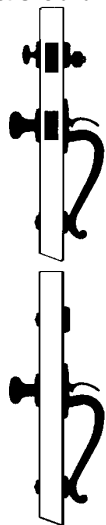
• ENTRANCE HANDLES

ENTRANCE SETS, TUBULAR

Tubular entrance sets are featured in both traditional and contemporary styles in our most popular finishes (please consult Cross Reference of Finish Identification Numbers chart for details). Interior latchset designs coordinate beautifully with lockset styles to enable customers to carry a specific design theme throughout the home.

Distinctive packaging exudes upscale image and reflects Baldwin's tradition of quality. Each Images lockset is packed complete in a distinctive presentation package.

Functions available include:



Entrance

From exterior:

Thumb piece operates handleset latch; key operates deadbolt.

From interior:

Knob operates latch; turnpiece operates deadbolt.

Double Cylinder

From exterior:

Thumb piece operates handleset latch; key operates deadbolt.

From interior:

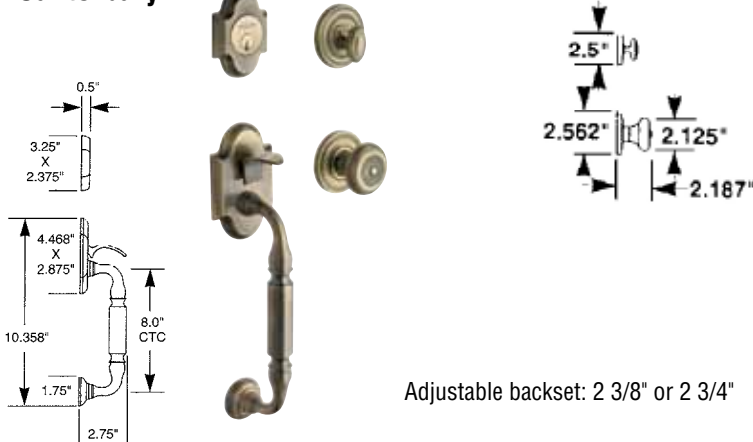
Knob operates latch; key operates deadbolt.

Full Dummy

Trim for non-working side of double doors. Matching dummy trim (non-functioning) handleset and interior trim.

Call For Stocked Finishes

Canterbury™



Adjustable backset: 2 3/8" or 2 3/4"

ALSO AVAILABLE WITH INTERIOR LEVER

Part No.	Lockset Description	Finish.	Retail
BA5305-003-ENTR	Entrance, Single Cyl.	Lifetime Brass	525.00
BA5305-003-FD	Full Dummy	Lifetime Brass	450.00
BA5305-102-ENTR	Entrance, Single Cyl.	Oil Rubbed Bronze	450.00
BA5305-150-ENTR	Entrance, Single Cyl.	Satin Nickel	450.00
BA5305-151-ENTR	Entrance, Single Cyl.	Antique Nickel	450.00

DEADLOCKING LATCHBOLT

For Keyed Entry Locksets & Two Point Handlesets

FEATURES: Latchbolts have a 1/2" throw, are reversible and can be used on beveled doors. Latches are supplied with 1" face plates.

PACKED: One per box.

BA5210-003, 055, 056 - 45⁰⁰



Other finishes in stock - 45⁰⁰

IMAGE SERIES LATCHES

Latchbolts have a .5" (13mm) throw, are reversible with fully adjustable fronts for use on beveled doors. **For use with Images Sectional, Escutcheon and Emergency Exit Entrance Locksets.** All latchbolts have an **adjustable backset** feature to accommodate 2 3/8" or 2 3/4" backsets. Packed without fasteners.

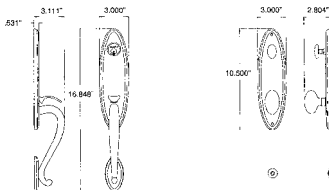


Part No.	Backset	Front Length	Front Width	Price
BA5300-XXX.9	2 3/8"-2 3/4"	2 1/4"	1"	43.00

BLAKELY

No. 5360

Adjustable backset

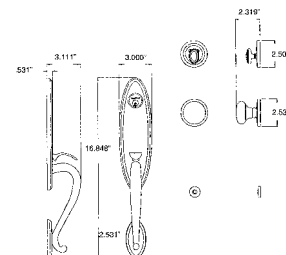


Part No.	Lockset Description	Finish.	Retail
BA5360-003-ENTR	Entrance, Single Cyl.	Lifetime Brass	675.00
BA5360-003-FD	Full Dummy	Lifetime Brass	600.00
BA5360-102-ENTR	Entrance, Single Cyl.	Oil Rubbed Bronze	600.00
BA5360-150-ENTR	Entrance, Single Cyl.	Satin Nickel	600.00
BA5360-151-ENTR	Entrance, Single Cyl.	Antique Nickel	600.00

BUCKINGHAM

No. 5380

Adjustable backset



Part No.	Lockset Description	Finish.	Retail
BA5380-003-ENTR	Entrance, Single Cyl.	Lifetime Brass	575.00
BA5380-003-FD	Full Dummy	Lifetime Brass	500.00
BA5380-102-ENTR	Entrance, Single Cyl.	Oil Rubbed Bronze	500.00
BA5380-150-ENTR	Entrance, Single Cyl.	Satin Nickel	500.00
BA5380-151-ENTR	Entrance, Single Cyl.	Antique Nickel	500.00

BALDWIN[®]

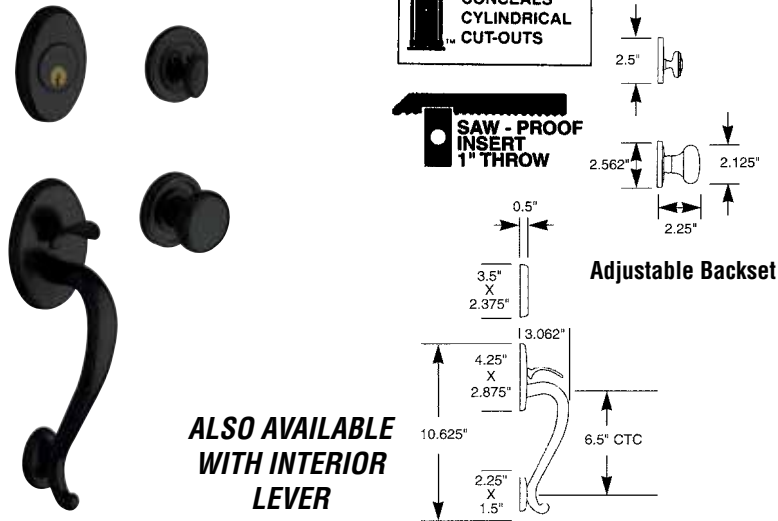
B

Accredited Lock Supply

www.acclock.com

• **ENTRANCE HANDLES**

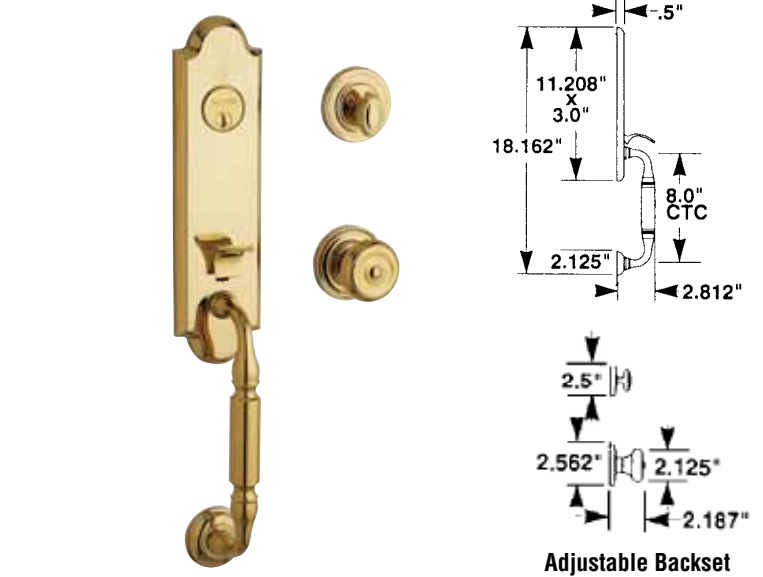
Logan™



ALSO AVAILABLE WITH INTERIOR LEVER

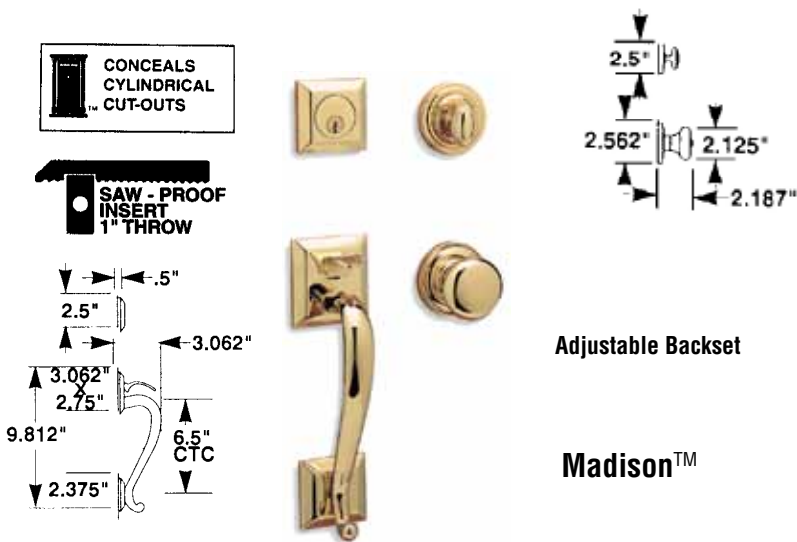
Part No.	Lockset Description	Finish.	Retail
BA5315-003-ENTR	Entrance, Single Cyl.	Lifetime Brass	525.00
BA5315-003-FD	Full Dummy	Lifetime Brass	450.00
BA5315-102-ENTR	Entrance, Single Cyl.	Oil Rubbed Bronze	450.00
BA5315-150-ENTR	Entrance, Single Cyl.	Satin Nickel	450.00
BA5315-151-ENTR	Entrance, Single Cyl.	Antique Nickel	450.00
BA5315-190-ENTR	Entrance, Single Cyl.	Satin Black	450.00

Nantucket™



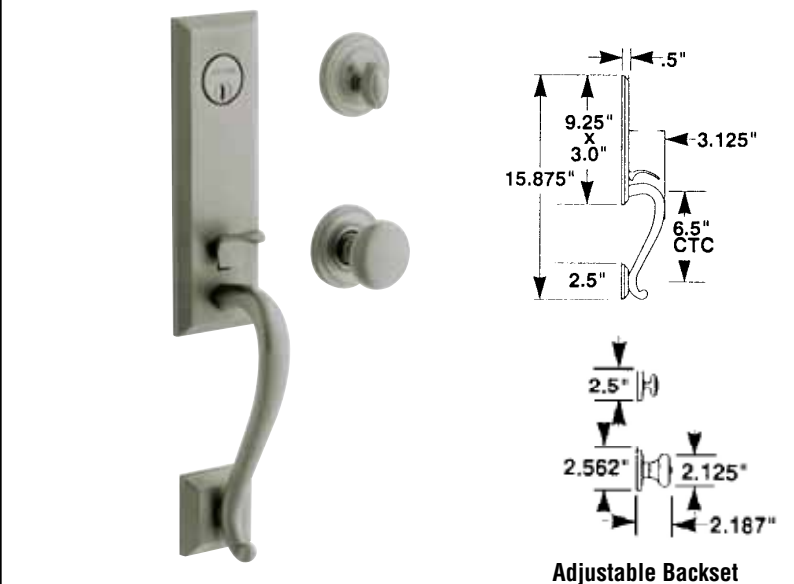
Part No.	Lockset Description	Finish.	Retail
BA5370-003-ENTR	Entrance, Single Cyl.	Lifetime Brass	575.00
BA5370-003-FD	Full Dummy	Lifetime Brass	500.00
BA5370-003-DBLC	Entrance, Double Cyl.	Lifetime Brass	600.00

Glennon™



ALSO AVAILABLE WITH INTERIOR LEVER

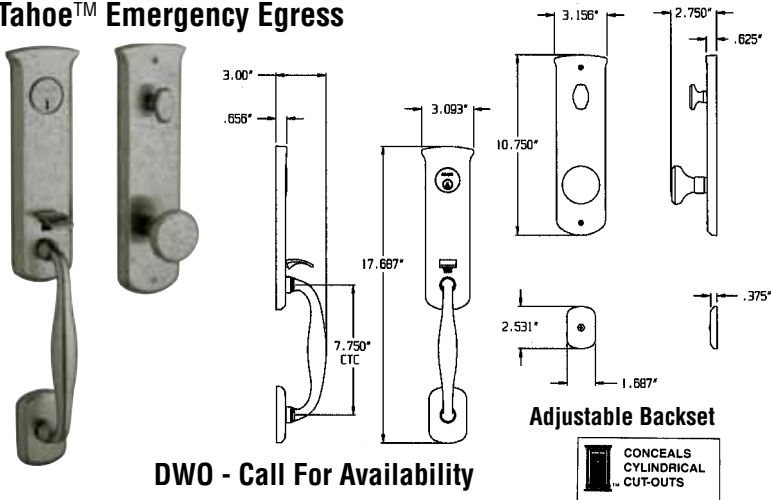
Part No.	Lockset Description	Finish.	Retail
BA5320-003-ENTR	Entrance, Single Cyl.	Lifetime Brass	525.00
BA5320-003-DBLC	Entrance, Dble. Cyle	Lifetime Brass	550.00
BA5320-003-FD	Full Dummy	Lifetime Brass	450.00
BA5320-102-ENTR	Entrance, Single Cyl.	Oil Rubbed Bronze	450.00
BA5320-150-ENTR	Entrance, Single Cyl.	Satin Nickel	450.00
BA5320-151-ENTR	Entrance, Single Cyl.	Antique Nickel	450.00



Part No.	Lockset Description	Backset	Retail
BA5375-003-DBLC	Glennon Entrance	Adj.	600.00
BA5375-003-ENTR	Glennon Entrance	Adj.	575.00
BA5375-003-FD	Glennon Full Dummy		500.00

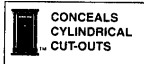
• **ENTRANCE HANDLES**

Tahoe™ Emergency Egress



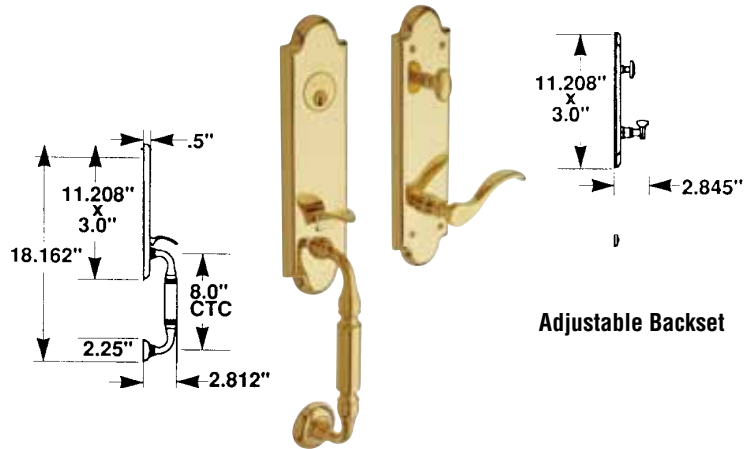
DWO - Call For Availability

LHRH & LRFD COME WITH INTERIOR LEVERS, SPECIFY LH or RH



Part No.	Lockset Description	Finish.	Retail
BA5340-452-ENTR	Entrance, Single Cyl.	Distressed Ant.Nickel	700.00
BA5340-003-LHRH	Entrance, LH & RH	Lifetime Brass	700.00
BA5340-003-LRFD	Full Dummy, LH & RH	Lifetime Brass	640.00
BA5340-190-LHRH	Entrance, LH & RH	Satin Black	625.00
BA5340-190-LRFD	Full Dummy, LH & RH	Satin Black	565.00

Manchester™ Emergency Egress

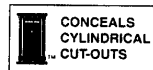
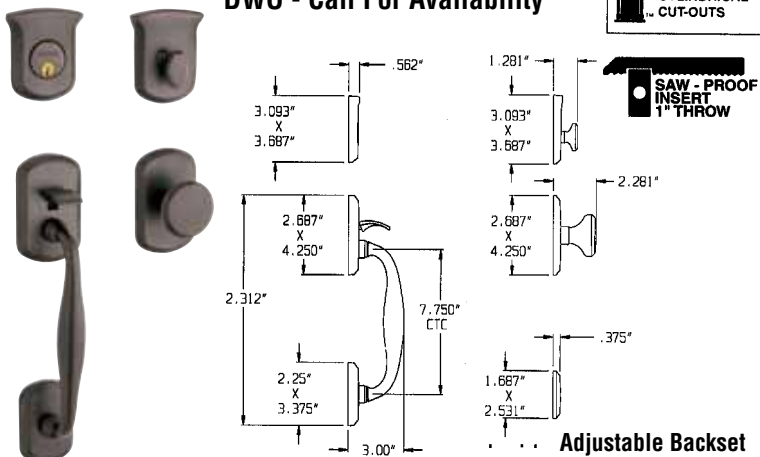


Adjustable Backset

Part No.	Lockset Description	Backset	Retail
BA5350-003-LENT	Manchester Entrance LH	Adj.	625.00
BA5350-003-LFD	Manchester Full Dummy LH		600.00
BA5350-003-RENT	Manchester Entrance RH	Adj.	625.00
BA5350-003-RFD	Manchester Full Dummy RH		600.00

Tahoe™

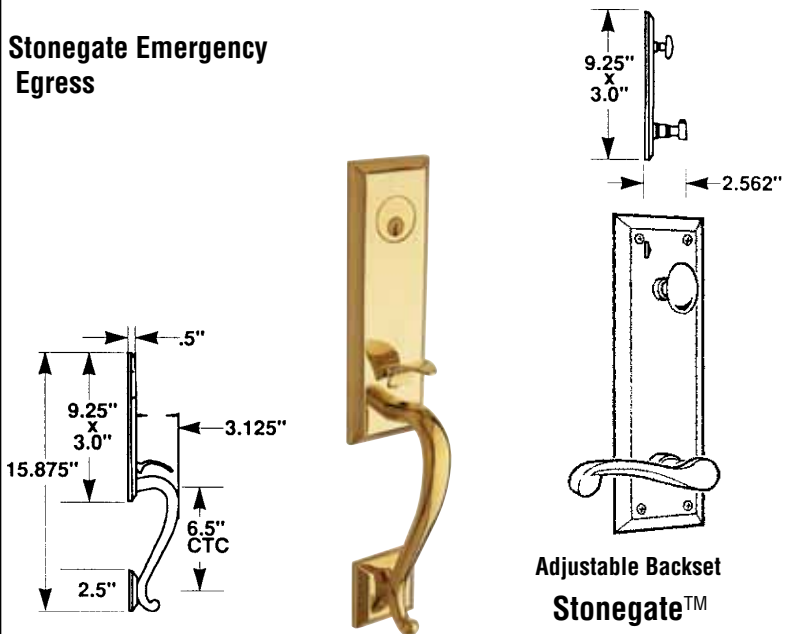
DWO - Call For Availability



LHRH & LRFD COME WITH INTERIOR LEVER, SPECIFY LH OR RH

Part No.	Lockset Description	Finish.	Retail
BA5325-003-ENTR	Entrance, Single Cyl.	Lifetime Brass	500.00
BA5325-112-LHRH	Entrance, LH & RH	Venetian Bronze	425.00
BA5325-190-ENTR	Entrance, Single Cyl.	Satin Black	425.00
BA5325-190-LHRH	Entrance, LH & RH	Satin Black	425.00
BA5325-190-LRFD	Full Dummy, LH & RH	Satin Black	365.00
BA5325-402-LHRH	Entrance, LH & RH	Dist.Oil Rubbed Bnz	440.00
BA5325-412-ENTR	Entrance, Single Cyl.	Dist.Venetian Bronze	440.00

Stonegate Emergency Egress



Adjustable Backset Stonegate™

Part No.	Lockset Description	Backset	Retail
BA5355-003-LENT	Stonegate Entrance LH	Adj.	625.00
BA5355-003-LFD	Stonegate Full Dummy LH		600.00
BA5355-003-RENT	Stonegate Entrance RH	Adj.	625.00
BA5355-003-RFD	Stonegate Full Dummy RH		600.00

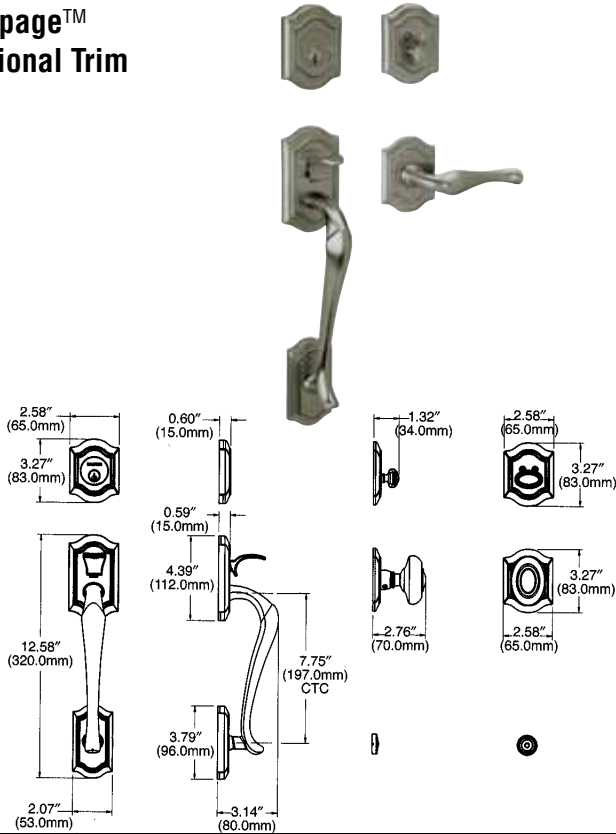
BALDWIN®

B

Accredited Lock Supply

www.acclock.com

Bethpage™ Sectional Trim



LHRH & LRFD COME WITH INTERIOR LEVER

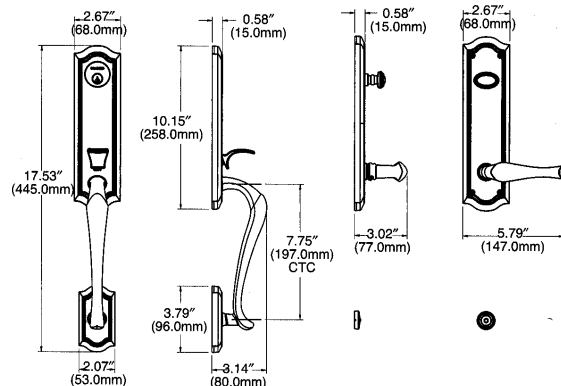
Part No.	Lockset Description	Finish.	Retail
BA5327-003-ENTR	Entrance, Single Cyl.	Lifetime Brass	525.00
BA5327-003-LHRH	Entrance, LH & RH	Lifetime Brass	525.00
BA5327-050-ENTR	Entrance, Single Cyl.	Satin Brass & Black	450.00
BA5327-050-FD	Full Dummy	Satin Brass & Black	375.00
BA5327-102-ENTR	Entrance, Single Cyl.	Oil Rubbed Bronze	450.00
BA5327-102-FD	Full Dummy	Oil Rubbed Bronze	375.00
BA5327-112-ENTR	Entrance, Single Cyl.	Venetian Bronze	450.00
BA5327-112-FD	Full Dummy	Venetian Bronze	375.00
BA5327-150-ENTR	Entrance, Single Cyl.	Satin Nickel	450.00
BA5327-150-FD	Full Dummy	Satin Nickel	375.00
BA5327-151-ENTR	Entrance, Single Cyl.	Antique Nickel	450.00
BA5327-151-FD	Full Dummy	Antique Nickel	375.00
BA5327-190-ENTR	Entrance, Single Cyl.	Satin Black	450.00
BA5327-190-FD	Full Dummy	Satin Black	375.00
BA5327-402-ENTR	Entrance, Single Cyl.	Dist. Oil Rubbed Brnz	525.00
BA5327-402-FD	Full Dummy	Dist. Oil Rubbed Brnz	475.00
BA5327-452-ENTR	Entrance, Single Cyl.	Dist. Antique Nickel	525.00
BA5327-452-FD	Full Dummy	Dist. Antique Nickel	450.00

Bethpage Emergency Egress



LHRH & LRFD COME WITH INTERIOR LEVER

Part No.	Lockset Description	Finish.	Retail
BA5337-003-ENTR	Entrance, Single Cyl.	Lifetime Brass	675.00
BA5337-003-LHRH	Entrance, LH & RH	Lifetime Brass	675.00
BA5337-102-ENTR	Entrance, Single Cyl.	Oil Rubbed Bronze	600.00
BA5337-102-FD	Full Dummy	Oil Rubbed Bronze	525.00
BA5337-112-ENTR	Entrance, Single Cyl.	Venetian Bronze	600.00
BA5337-112-FD	Full Dummy	Venetian Bronze	525.00
BA5337-150-ENTR	Entrance, Single Cyl.	Satin Nickel	600.00
BA5337-150-FD	Full Dummy	Satin Nickel	525.00
BA5337-151-ENTR	Entrance, Single Cyl.	Antique Nickel	600.00
BA5337-151-FD	Full Dummy	Antique Nickel	525.00
BA5337-260-ENTR	Entrance, Single Cyl.	Satin Black	600.00
BA5337-260-FD	Full Dummy	Satin Black	525.00

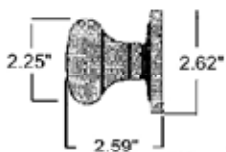


• **Knobsets**

PRE-CONFIGURED SETS

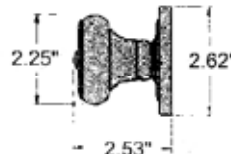
- **SOLID FORGED BRASS:** Knobs, levers, and roses are manufactured of solid forged brass for maximum strength and durability.
- **LATCHES:** Images latches are constructed for exceptional durability and smooth operation. The heavy latch bolt springs are performance tested to eliminate lever sag. All latches are reversible to accommodate all door conditions.
- **FACEPLATE:** Latches are supplied with a 1" (25mm) faceplate. 1.125" (29mm) faceplate is NOT available.
- **FUNCTIONS:** Four (4) functions are available: passage, privacy, full dummy and half dummy.
 - Passage and privacy functions are supplied standard with a 2.375" (60mm) backset latch. A 2.75" (70mm) backset latch is available.
 - Privacy function has a locking push button feature with automatic release on the interior door trim and an emergency release feature on the exterior door trim.
- **ROSES:** Images roses are designed to conceal a 2.125" (54mm) pre-drilled door condition. The rose snaps onto the adaptor housing.
- **DOOR CUTOUT:** The adaptor easily installs into a 2.125" (54mm) cutout and aligns the latch with the trim.
- **DOOR THICKNESS:** Images locksets fit 1.375" (35mm) and 1.75" (49mm) doors.

5015 Series



Part No.	Description	Backset	Retail
BA5015-003-FD	Full Dummy Knob Set		160.00
BA5015-003-IDM	Half Dummy Knob Set		80.00
BA5015-003-PASS	Passage Knob Latch Set	2 3/8"	190.00
BA5015-003-PRIV	Privacy Knob Latch Set	2 3/8"	190.00
BA5015-260-FD	Full Dummy Knob Set		130.00
BA5015-260-IDM	Half Dummy Knob Set		65.00
BA5015-260-PASS	Passage Knob Latch Set	2 3/8"	160.00
BA5015-260-PRIV	Privacy Knob Latch Set	2 3/8"	160.00

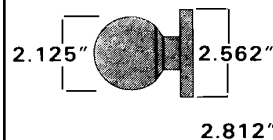
5020 Series



Part No.	Description	Backset	Retail
BA5020-003-FD	Full Dummy Knob Set		160.00
BA5020-003-IDM	Half Dummy Knob Set		80.00
BA5020-003-PASS	Passage Knob Latch Set	2 3/8"	190.00
BA5020-003-PRIV	Privacy Knob Latch Set	2 3/8"	190.00
BA5020-260-FD	Full Dummy Knob Set		130.00
BA5020-260-IDM	Half Dummy Knob Set		65.00
BA5020-260-PASS	Passage Knob Latch Set	2 3/8"	160.00
BA5020-260-PRIV	Privacy Knob Latch Set	2 3/8"	160.00

DWO - Call For Availability

5415 Series



Part No.	Description	Backset	Retail
BA5415-003-FD	Full Dummy Knob Set		95.00
BA5415-003-IDM	Half Dummy Knob Set		47.00
BA5415-003-PASS	Passage Knob Latch Set	2 3/8"	121.00
BA5415-003-PRIV	Privacy Knob Latch Set	2 3/8"	121.00
BA5415-260-FD	Full Dummy Knob Set		79.00
BA5415-260-IDM	Half Dummy Knob Set		40.00
BA5415-260-PASS	Passage Knob Latch Set	2 3/8"	100.00
BA5415-260-PRIV	Privacy Knob Latch Set	2 3/8"	100.00
BA5415-326-PRIV	Privacy Knob Latch Set	2 3/8"	100.00
BA5416-003-PASS	Passage Knob Latch Set	2 3/4"	121.00
BA5416-003-PRIV	Privacy Knob Latch Set	2 3/4"	121.00
BA5416-260-PASS	Passage Knob Latch Set	2 3/4"	100.00
BA5416-260-PRIV	Privacy Knob Latch Set	2 3/4"	100.00

BALDWIN®

B

Accredited Lock Supply

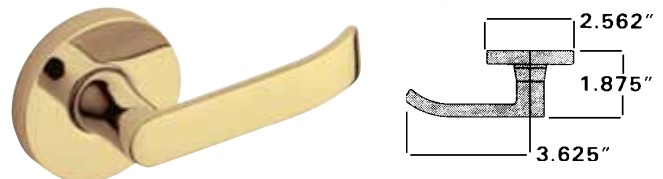
www.acclock.com



Part No.	Description	Backset	Retail
BA5440-003-FD	Full Dummy Lever Set		95.00
BA5440-003-LDM	Half Dummy Lever Set		47.00
BA5440-003-PASS	Passage Lever Latch Set	2 3/8"	121.00
BA5440-003-PRIV	Privacy Lever Latch Set	2 3/8"	121.00
BA5440-003-RDM	Half Dummy Lever Set		47.00
BA5440V-150-FD	Full Dummy Lever Set		120.00
BA5440V-150-LDM	Half Dummy Lever Set		60.00
BA5440V-150-RDM	Half Dummy Lever Set		60.00
BA5440V-150-PASS	Passage Lever Latch Set	2 3/8"	150.00
BA5440V-150-PRIV	Privacy Lever Latch Set	2 3/8"	150.00
BA5440-260-FD	Full Dummy Lever Set		79.00
BA5440-260-LDM	Half Dummy Lever Set		40.00
BA5440-260-PASS	Passage Lever Latch Set	2 3/8"	100.00
BA5440-260-RDM	Half Dummy Lever Set		100.00

2 3/4" backset available

5460 Series DWO - Call For Availability



Part No.	Description	Backset	Retail
BA5460-003-FD	Full Dummy Lever Set		95.00
BA5460-003-LDM	Half Dummy Lever Set		47.00
BA5460-003-PASS	Passage Lever Latch Set	2 3/8"	121.00
BA5460-003-PRIV	Privacy Lever Latch Set	2 3/8"	121.00
BA5460-003-RDM	Half Dummy Lever Set		47.00
BA5460V-260-FD	Full Dummy Lever Set		120.00
BA5460V-260-LDM	Half Dummy Lever Set		60.00
BA5460V-260-PASS	Passage Lever Latch Set	2 3/8"	150.00
BA5460V-260-PRIV	Privacy Lever Latch Set	2 3/8"	150.00
BA5460V-260-RDM	Half Dummy Lever Set		60.00
BA5460V-326-PRIV	Privacy Lever Latch Set	2 3/8"	100.00

2 3/4" backset available

5455V Series



Part No.	Description	Backset	Retail
BA5455V-003-FD	Full Dummy Lever Set		160.00
BA5455V-003-LDM	Half Dummy Lever Set		80.00
BA5455V-003-PASS	Passage Lever Latch Set	2 3/8"	190.00
BA5455V-003-PRIV	Privacy Lever Latch Set	2 3/8"	190.00
BA5455V-003-RDM	Half Dummy Lever Set		80.00
BA5455V-150-FD	Full Dummy Lever Set		130.00
BA5455V-150-LDM	Half Dummy Lever Set		65.00
BA5455V-150-RDM	Half Dummy Lever Set		65.00
BA5455V-150-PASS	Passage Lever Latch Set		160.00
BA5455V-150-PRIV	Privacy Lever Latch Set		160.00
BA5455V-151-FD	Full Dummy Lever Set		130.00
BA5455V-151-LDM	Half Dummy Lever Set		65.00
BA5455V-151-RDM	Half Dummy Lever Set		65.00
BA5455V-151-PASS	Passage Lever Latch Set		160.00
BA5455V-151-PRIV	Privacy Lever Latch Set		160.00
BA5455V-260-FD	Full Dummy Lever Set		130.00
BA5455V-260-LDM	Half Dummy Lever Set		65.00
BA5455V-260-PAS	Passage Lever Latch Set	2 3/8"	160.00
BA5455V-260-PRIV	Privacy Lever Latch Set	2 3/8"	160.00
BA5455V-260-RDM	Half Dummy Lever Set		65.00

2 3/4" backset available

5445V Series



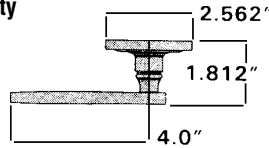
Part No.	Description	Backset	Retail
BA5445V-003-FD	Full Dummy Lever Set		160.00
BA5445V-003-LDM	Half Dummy Lever Set		80.00
BA5445V-003-PASS	Passage Lever Latch Set	2 3/8"	190.00
BA5445V-003-PRIV	Privacy Lever Latch Set	2 3/8"	190.00
BA5445V-003-RDM	Half Dummy Lever Set		80.00
BA5445V-150-FD	Full Dummy Lever Set		130.00
BA5445V-150-LDM	Half Dummy Lever Set		65.00
BA5445V-150-RDM	Half Dummy Lever Set		65.00
BA5445V-150-PASS	Passage Lever Latch Set	2 3/8"	160.00
BA5445V-150-PRIV	Privacy Lever Latch Set	2 3/8"	160.00
BA5445V-260-FD	Full Dummy Lever Set		130.00
BA5445V-260-LDM	Half Dummy Lever Set		65.00
BA5445V-260-PASS	Passage Lever Latch Set	2 3/8"	160.00
BA5445V-260-PRIV	Privacy Lever Latch Set	2 3/8"	160.00
BA5445V-260-RDM	Half Dummy Lever Set		65.00

2 3/4" backset available

• **Lever Locksets**

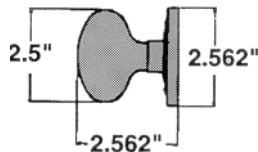
5450 Series

DWO - Call for availability



Part No.	Description	Backset	Retail
BA5450-003-LDM	Half Dummy Lever Set		49.00
BA5450-003-PRIV	Privacy Lever Latch Set	2 3/8"	121.00
BA5450-030-PASS	Passage Lever Latch Set	2 3/8"	83.00
BA5450-030-PRIV	Privacy Lever Latch Set	2 3/8"	91.00
BA5450-150-PRIV	Privacy Lever Latch Set	2 3/8"	100.00
BA5450-150-LDM	Half Dummy Lever Set		40.00
BA5450-150-RDM	Half Dummy Lever Set		40.00
BA5450-150-FD	Full Dummy Lever Set		80.00
BA5450-260-FD	Full Dummy Lever Set		80.00
BA5450-260-LDM	Half Dummy Lever Set		40.00
BA5450-260-PASS	Passage Lever Latch Set	2 3/8"	92.00
BA5450-260-PRIV	Privacy Lever Latch Set	2 3/8"	100.00
BA5450-260-RDM	Half Dummy Lever Set		40.00
BA5450-326-LPRI	Privacy Lever Set, LH	2 3/8"	100.00
BA5450-326-RPRI	Privacy Lever Set, RH	2 3/8"	100.00
BA5451-003-PASS	Passage Lever Latch Set	2 3/4"	111.00
BA5451-003-PRIV	Privacy Lever Latch Set	2 3/4"	121.00
BA5451-260-PASS	Passage Lever Latch Set	2 3/4"	92.00
BA5451-260-PRIV	Privacy Lever Latch Set	2 3/4"	100.00

5025 Series



Part No.	Description	Backset	Retail
BA5025-003-FD	Full Dummy Knob Set		160.00
BA5025-003-IDM	Half Dummy Knob Set		80.00
BA5025-003-PASS	Passage Knob Latch Set	2 3/8"	160.00
BA5025-003-PRIV	Privacy Knob Latch Set	2 3/8"	160.00
BA5025-150-FD	Full Dummy Knob Set		130.00
BA5025-150-LDM	Half Dummy Knob Set		65.00
BA5025-150-RDM	Half Dummy Knob Set		65.00
BA5025-150-PASS	Passage Knob Latch Set		160.00
BA5025-150-PRIV	Privacy Knob Latch Set		160.00
BA5025-260-FD	Full Dummy Knob Set		130.00
BA5025-260-IDM	Half Dummy Knob Set		65.00
BA5025-260-PASS	Passage Knob Latch Set	2 3/8"	160.00
BA5025-260-PRIV	Privacy Knob Latch Set	2 3/8"	160.00

2 3/4" backset available

ACCESSORIES FOR TUBULAR HANDLESETS

THICK DOOR KITS FOR NEW MECHANICS

BA5399xxx.A For all Sectional and Escutcheon Single Cylinder Entrance function handlesets to fit 2" & 2 1/4" thick door **45.00**

BA5399.xxx.B For all Sectional and Escutcheon Double Cylinder Entrance handlesets to fit 2" & 2 1/4" thick doors **45.00**

BA5399.xxx.C For all Emergency Egress function handlesets to fit 2" & 2 1/4" thick doors **45.00**

BA5399.xxx.D For all Full Dummy handle functions-Sectional, Escutcheon and Emergency Egress to fit 2" & 2 1/4" thick doors **15.00**

REPAIR KITS FOR NEW MECHANICS

BA5399 xxx G For active Sectional and Escutcheon handlesets (except Tahoe®) with Interior Knobs, Including Single Cylinder (ENTR) and Double Cylinder (DBLC) sets **45.00**

BA5399.xxx.H For active Sectional and Escutcheon handlesets (except Tahoe®) with Interior Levers, Including Single Cylinder (LHRH) and Double Cylinder (LRDB) sets **45.00**

BA5399.xxx.I For active Tahoe® Sectional handlesets with Interior Knobs including Single Cylinder (ENTR) and Double Cylinder (DBLC) sets **45.00**

BA5399.xxx.J For active Tahoe® Sectional handlesets with Interior Levers including Single Cylinder (LHRH) and Double Cylinder (LRDB) sets **45.00**

BA5399.xxx.K For Full Dummy (FD or LRFD) Sectional, Escutcheon, and Emergency Egress handlesets (except Tahoe®) with a Traditional oval thumbpiece including Interior Knobs or Levers **35.00**

BA5399.xxx.L For Full Dummy (FD or LRFD) Tahoe® handlesets with a rectangular thumbpiece including Interior Knobs or Levers. Use this kit for the following Trim Set: Tahoe® **35.00**

BA5399.xxx.M For active Emergency Egress handlesets (ENTR) with an oval egress cartridge, a Traditional oval thumbpiece, and an Interior Knob **45.00**

BA5399.xxx.N For active Emergency Egress handlesets (LENT or RENT) with a rectangular egress cartridge, a Traditional oval thumbpiece, and an Interior Lever **45.00**

BA5399.xxx.O For active Tahoe® Emergency Egress handlesets (ENTR or LHRH) with an oval egress cartridge, a rectangular thumbpiece and an Interior Knob or Lever **45.00**

NOTE: All parts must be installed for proper lock function.

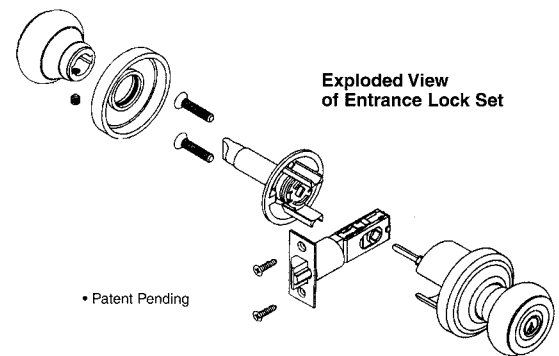
AVAILABLE IN ALL POPULAR FINISHES

IMAGES KEYED ENTRY LOCKSETS

Images Keyed Entry Locksets are featured in our most popular styles, and are available in The Lifetime Finish _ from Baldwin or oil rubbed bronze (please consult price list for details.) Images interior latchset designs coordinate beautifully with the Keyed Entry Lockset styles to enable consumers to carry a specific design theme throughout the home. Each Images Keyed Entry Lockset is packed in a complete set and includes graphic installation instructions. Meets Grade 2 requirements.

THE IMAGES COLLECTION KEYED ENTRY LOCKSETS - MECHANICAL FEATURES

- **SOLID BRASS:** Knobs, levers, and roses are manufactured of solid brass for maximum strength and durability.
- **EASE OF INSTALLATION:** Images Keyed Entry Locksets are designed for easy installation in standard pre-bored wood or metal doors. The adapter aligns the unit for a perfect fit each time. Graphic instructions make installation FAST!
- **CONCEALED FASTENERS:** All Images Keyed Entry Locksets are designed with screw-on solid brass roses, which conceal the mounting hardware for a high quality appearance.
- **EMERGENCY EXIT FUNCTION:** Interior knob always retracts latch to allow immediate exit.
- **FULLY REVERSIBLE:** Accommodates all door conditions and facilitates installation.
- **DOOR THICKNESS:** Locksets accommodate 1-3/8" (35mm) or 1-3/4" (44mm) thick doors.
- **CASE:** Latch case is formed of steel for strength. Interior working parts are made of brass or steel for maximum strength and smooth operation.
- **BACKSET:** Entry function supplied with an adjustable backset latch which will accommodate 2-3/8" (60mm) and 2-3/4" (70mm) backsets.
- **FACEPLATE:** Latch faceplate supplied is 1" (25mm) wide x 2-1/4" (57mm).
- **STRIKE:** All entry locksets are supplied with a full lip strike.
- **CYLINDER:** Solid brass rekeyable cylinder supplied standard with 03 keyway and two nickel silver keys. See catalog pages for 5 pin or 6 pin capability.
- **KEYS:** Designed with 1-1/4" (32mm) wide bow surface to facilitate use by physically challenged people. (2 keys supplied per lock).

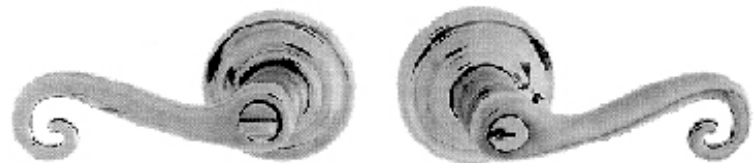


GRADE 2: Meets Grade 2 requirements for security and endurance.

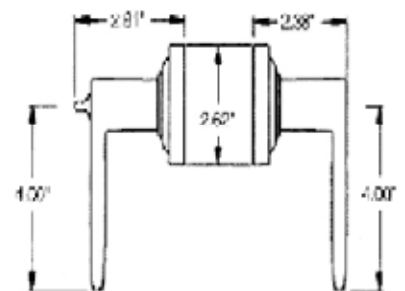
Replacement cylinders in stock.

5250 Series - Keyed Locksets

Part No.	Finish	Price
BA5250-003-LENT	Lifetime Brass	145.00
BA5250-003-RENT	Lifetime Brass	145.00
BA5250-003-FD	Lifetime Brass	131.00
BA5250-050-LENT	Satin Brass & Black	152.00
BA5250-050-RENT	Satin Brass & Black	152.00
BA5250-050-FD	Satin Brass & Black	138.00
BA5250-150-LENT	Satin Nickel	152.00
BA5250-150-RENT	Satin Nickel	152.00
BA5250-150-FD	Satin Nickel	138.00
BA5250-151-LENT	Antique Nickel	152.00
BA5250-151-RENT	Antique Nickel	152.00
BA5250-151-FD	Antique Nickel	138.00
BA5250-260-LENT	Polished Chrome	152.00
BA5250-260-RENT	Polished Chrome	152.00
BA5250-260-FD	Polished Chrome	138.00



Keying: Solid brass 6 pin cylinder, keyed 5 pin

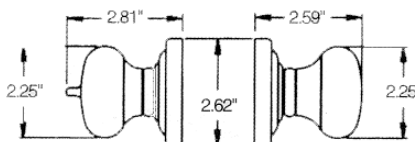


DWO - Call for availability

5250.XXX.LENT Entrance Set-Adjustable Backset
 5250.XXX.RENT Entrance Set-Adjustable Backset
 5250.XXX.FD Full Dummy Set

AVAILABLE IN ALL POPULAR FINISHES

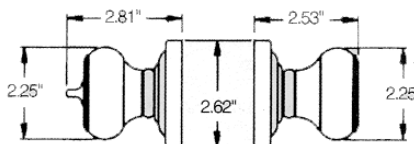
CLASSIC KNOB



New Adjustable Backset

Part No.	Finish	Price
BA5205-003-ENTR	Lifetime Brass	250.00
BA5205-003-FD	Lifetime Brass	220.00
BA5205-150-ENTR	Satin Nickel	220.00
BA5205-151-ENTR	Antique Nickel	220.00

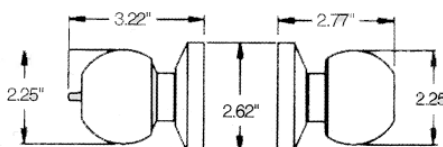
COLONIAL KNOB



New Adjustable Backset

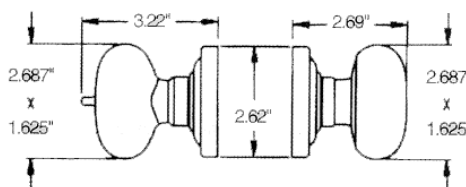
Part No.	Finish	Price
BA5210-003-ENTR	Lifetime Brass	250.00
BA5210-003-FD	Lifetime Brass	220.00
BA5210-150-ENTR	Satin Nickel	220.00
BA5210-151-ENTR	Antique Nickel	220.00

CONTEMPORARY KNOB W/CONTEMPORARY ROSE



New Adjustable Backset

Part No.	Finish	Price
BA5215-003-ENTR	Lifetime Brass	250.00
BA5215-003-FD	Lifetime Brass	220.00
BA5215-150-ENTR	Satin Nickel	220.00
BA5215-151-ENTR	Antique Nickel	220.00



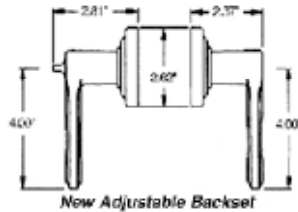
New Adjustable Backset

Part No.	Finish	Price
BA5225-003-ENTR	Lifetime Brass	250.00
BA5225-003-FD	Lifetime Brass	220.00
BA5225-150-ENTR	Satin Nickel	220.00
BA5225-151-ENTR	Antique Nickel	220.00

AVAILABLE IN ALL POPULAR FINISHES



Part No.	Finish	Price
BA5245-003-ENTR	Lifetime Brass	250.00
BA5245-003-FD	Lifetime Brass	220.00
BA5245-150-ENTR	Satin Nickel	220.00

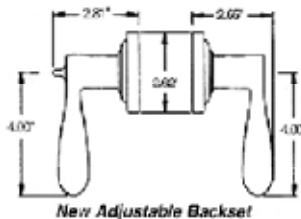


Keying: Solid brass 6 pin cylinder, keyed 5 pin

- 5345.XXX.LENT Entrance Set-Adjustable Backset 2.15lbs (.98kg)
- 5245.XXX.RENT Entrance Set-Adjustable Backset 2.15lbs (.98kg)
- 5245.XXX.FD Full Dummy Set 1.95lbs (.89kg)



Part No.	Finish	Price
BA5255-003-ENTR	Lifetime Brass	250.00
BA5255-003-FD	Lifetime Brass	220.00
BA5255-150-ENTR	Satin Nickel	220.00
BA5255-151-ENTR	Antique Nickel	220.00

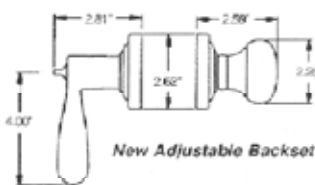


Keying: Solid brass 6 pin cylinder, keyed 5 pin

- 5255.XXX.LENT Entrance Set-Adjustable Backset 2.80lbs (1.27kg)
- 5255.XXX.RENT Entrance Set-Adjustable Backset 2.80lbs (1.27kg)
- 5255.XXX.FD Full Dummy Set 2.00lbs (.91kg)



Part No.	Finish	Price
BA5270-003-ENTR	Lifetime Brass	158.00
BA5270-003-FD	Lifetime Brass	143.00



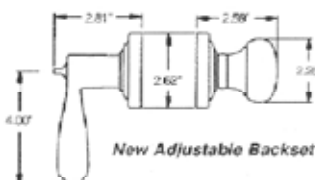
Keying: Solid brass 5 pin cylinder

Call For Stocked Finishes

- 5270.XXX.LENT Entrance Set-Adjustable Backset 2.95lbs (1.34kg)
- 5270.XXX.RENT Entrance Set-Adjustable Backset 2.95lbs (1.34kg)
- 5270.XXX.LFD Left Dummy 2.05lbs (.93kg)
- 5270.XXX.RFD Right Dummy 2.05lbs (.93kg)



Part No.	Finish	Price
BA5280-003-ENTR	Lifetime Brass	158.00
BA5280-003-FD	Lifetime Brass	143.00



Keying: Solid brass 5 pin cylinder

Call For Stocked Finishes

- 5280.XXX.LENT Entrance Set-Adjustable Backset 2.95lbs (1.34kg)
- 5280.XXX.RENT Entrance Set-Adjustable Backset 2.95lbs (1.34kg)
- 5280.XXX.LFD Left Dummy 2.05lbs (.93kg)
- 5280.XXX.RFD Right Dummy 2.05lbs (.93kg)

Hinges



BA1035-Square-3.5"x3.5"



BA1040-Square-4"x4"



BA1045-Square-4.5"x4.5"

Part No.	Finish	Price
BA1035-003	Lifetime Brass	48.00
BA1035-030	Polished Brass	38.00
BA1040-003	Lifetime Brass	51.00
BA1040-030	Polished Brass	41.00
BA1045-003	Lifetime Brass	54.00
BA1045-030	Polished Brass	44.00

Hinges - Ball Bearing



BA1041-Square-4"x4"



BA1046-Square-4.5"x4.5"



BA1051-Square-5"x5"

Part No.	Finish	Price
BA1041-003	Lifetime Brass	60.00
BA1041-030	Polished Brass	50.00
BA1046-003	Lifetime Brass	63.00
BA1046-030	Polished Brass	53.00
BA1051-003	Lifetime Brass	92.00
BA1051-030	Polished Brass	76.00

Hinge Finials - are specially designed to thread into the top & bottom of the hinge barrel.



BA1090 BA1093 BA1092 BA1091

Part No.	Finish	Price
BA1090-003	Lifetime Brass	16.00
BA1091-003	Lifetime Brass	16.00
BA1091-151	Antique Nickel	14.00
BA1092-003	Lifetime Brass	16.00
BA1092-190	Satin Black	14.00
BA1093-003	Lifetime Brass	16.00
BA1093-151	Antique Nickel	14.00

Available Finial & Hinge Finishes: 003, 030, 050, 055, 056, 102, 112, 150, 151, 190, 260, 264.

DEADBOLT

FEATURES: All Deadbolts are furnished with a 1" (25mm) throw. Each contains a saw-proof, hardened steel insert to prevent tampering. Fronts are adjustable for beveled door conditions. All deadbolts have an adjustable backset feature to accommodate 2 3/8" or 2 3/4" backsets.

PACKED: Without fasteners. Case quantity is twelve (12).



BA8201-003-DB	Double Cyl	Lifetime Bright Brass	40.00
BA8208-003-DB	Single Cyl	Lifetime Bright Brass	40.00

BALDWIN®

B

Accredited Lock Supply

www.acclock.com

DEADBOLTS - 2 1/8" PREP

Traditional Design

Steel Case: .960" diameter x 3.312" or 3.750" extended

Front: .156" x 1" x 2.25"

Backset: Adjustable backset deadbolt, 2 3/8" or 2 3/4"



BA8231-003	Lifetime Brass Finish	Single Cyl.	110.00
BA8231-050	Satin Brass & Black	Single Cyl.	95.00
BA8231-260	Polished Chromium	Single Cyl	95.00
BA8231-102	Oil Rubbed Bronze	Single Cyl	95.00
BA8231-150	Satin Nickel Plated	Single Cyl	95.00
BA8231-151	Antique Nickel, Dull	Single Cyl	95.00
BA8232-003	Lifetime Brass Finish	Double Cyl.	135.00
BA8232-260	Polished Chromium	Double Cyl	120.00

Contemporary Design

Steel Case: .960" diameter x 3.312" or 3.750" extended

Front: .156" x 1" x 2.25"

Backset: Adjustable backset deadbolt, 2 3/8" or 2 3/4"



BA8241-003	Lifetime Brass Finish	Single Cyl	110.00
BA8241-260	Polished Chromium	Single Cyl	95.00
BA8241-102	Oil Rubbed Bronze	Single Cyl	95.00
BA8241-150	Satin Nickel Plated	Single Cyl	95.00
BA8241-151	Antique Nickel, Dull	Single Cyl	95.00
BA8242-003	Lifetime Brass Finish	Double Cyl	135.00
BA8242-260	Polished Chromium	Double Cyl	120.00

Available Finishes: 003, 031, 038, 050, 055, 056, 060, 102, 112, 150, 151, 190, 260, 264, 402, 412, 452

CYLINDER COLLAR SPACER FOR 8200 SERIES FOR 1 3/8" DOOR

DIMENSIONS: 2.5" Dia. (64mm)

FEATURES: For installation on 1 3/8" (35mm) doors. Always used under cylinder collar. Two rings are required for double cylinder functions.

One ring is required for cylinder/turnpiece functions. Finished to match deadbolt cylinder collar. 1 per box.



No. 8297

BA8297-003 Lifetime Brass **20.00**

BA8097-003 Lifetime Brass **15.00 (For 8000 series)**

DEADBOLTS

- **CASE:** Deadbolt case is formed of heavy gauge steel for strength and assures solid fit in door preparations. Most interior working parts are made of solid brass for maximum strength and smooth operation.
- **DEADBOLT:** All deadbolts are of solid brass construction. Deadbolt has .625" x .875" x 1" (16x22x25mm) throw when extended and a hardened steel insert for maximum protection and security. Deadbolt is furnished in US4 and 26D finishes to match trim.
- **BACKSET:** Deadbolts available in 2.375" (60mm) and 2.75" (70mm) backset.
- **NON-HANDED** design facilitates specification and installation.
- **STRIKE:** Every deadbolt illustrated in this section is furnished with a specially designed reinforcing strike constructed of high grade steel for ultimate strength and durability.
- **DOOR CONDITIONS:** Deadbolts fit 1.625" (41mm) diameter cutouts. Trim rings No. 8090 available for doors drilled with 2.125" (54mm) diameter holes.
- **DOOR THICKNESS:** Deadbolts fit 1.75" (44mm) thick doors. Deadbolts are available for 2" (51mm) and 2.25" (57mm) thick doors at an additional charge. Door spacers No. 8097 are available for 1.375" (35mm) thick doors.

Steel Case: 8011 and 8013 - .960" Diameter x 3.125" (24x79mm)
8015 and 8017 - .960" Diameter x 3.5" (24x89mm)
Front: 8011 and 8015 - .156" x 1" x 2.25" (4x25x57mm)
8013 and 8017 - .156" x 1.125" x 2.25" (4x29x57mm)



Double Cylinder Contemporary Design 8011 Series 1 5/8" Prep

Inside Cylinder

Part No.	Description	Backset	Retail
BA8011-003	Deadbolt, Double Cylinder	2 3/8"	135.00
BA8011-102	Deadbolt, Double Cylinder	2 3/8"	120.00
BA8011-260	Deadbolt, Double Cylinder	2 3/8"	120.00
BA8011-264	Deadbolt, Double Cylinder	2 3/8"	120.00
BA8013-060	Deadbolt, Double Cylinder	2 3/8"	83.10
BA8013-102	Deadbolt, Double Cylinder	2 3/8"	83.10
BA8013-260	Deadbolt, Double Cylinder	2 3/8"	83.10
BA8013-264	Deadbolt, Double Cylinder	2 3/8"	83.10
BA8015-060	Deadbolt, Double Cylinder	2 3/4"	83.10
BA8015-102	Deadbolt, Double Cylinder	2 3/4"	83.10
BA8015-260	Deadbolt, Double Cylinder	2 3/4"	83.10
BA8015-264	Deadbolt, Double Cylinder	2 3/4"	83.10
BA8017-060	Deadbolt, Double Cylinder	2 3/4"	83.10
BA8017-102	Deadbolt, Double Cylinder	2 3/4"	83.10
BA8017-260	Deadbolt, Double Cylinder	2 3/4"	83.10
BA8017-264	Deadbolt, Double Cylinder	2 3/4"	83.10

**Double Cylinder
Traditional Design
8021 Series
1 5/8" Prep**



**Inside
Cylinder**

Part No.	Description	Backset	Retail
BA8021-003	Deadbolt, Double Cylinder	2 3/8"	135.00
BA8021-102	Deadbolt, Double Cylinder	2 3/8"	120.00
BA8021-260	Deadbolt, Double Cylinder	2 3/8"	120.00
BA8023-060	Deadbolt, Double Cylinder	2 3/8"	88.60
BA8023-102	Deadbolt, Double Cylinder	2 3/8"	88.60
BA8023-260	Deadbolt, Double Cylinder	2 3/8"	88.60
BA8025-060	Deadbolt, Double Cylinder	2 3/4"	88.60
BA8025-102	Deadbolt, Double Cylinder	2 3/4"	88.60
BA8025-260	Deadbolt, Double Cylinder	2 3/4"	88.60
BA8027-060	Deadbolt, Double Cylinder	2 3/4"	88.60
BA8027-102	Deadbolt, Double Cylinder	2 3/4"	88.60
BA8027-260	Deadbolt, Double Cylinder	2 3/4"	88.60

Steel Case: 8021 and 8023- .960" Diameter x 3.125"(24x79mm)
8025 and 8027 - .960" Diameter x 3.5" (24x89mm)
Front: 8021 and 8025 - .156" x 1" x 2.25" (4x25x57mm)
8023 and 8027 - .156" x 1.125" x 2.25" (4x29x57mm)

**Cylinder/Turnpiece
Contemporary Design
8041 Series
1 5/8" Prep**



Steel Case: 8041 - .960" Diameter x 3.312" or 3.75"(24x89 or 95mm)
Front: 8041 - .156" x 1" x 2.25" (4x25x57mm)

Part No.	Description	Backset	Retail
BA8041-003	Deadbolt, Single Cylinder	2 3/4"	110.00
BA8041-150	Deadbolt, Single Cylinder	2 3/4"	95.00
BA8041-151	Deadbolt, Single Cylinder	2 3/4"	95.00

**Cylinder/Turnpiece
Traditional Design
8031 Series
1 5/8" Prep**



Steel Case: 8031 - .960" Diameter x 3.125"(24x79mm) **Inside**
Front: 8031 - .156" x 1" x 2.25" (4x25x57mm) **Turnpiece**

Part No.	Description	Backset	Retail
BA8031-003	Deadbolt, Single Cylinder	2 3/8"	110.00
BA8031-050	Deadbolt, Single Cylinder	2 3/8"	95.00
BA8031-150	Deadbolt, Single Cylinder	2 3/4"	95.00
BA8031-151	Deadbolt, Single Cylinder	2 3/4"	95.00

TRIM RINGS

DIMENSIONS: 2.5" Dia. (64mm)
FEATURES: Trim rings are designed for use with installation of 8000 series (1 5/8" door prep) deadbolts in 2 1/8" diameter door preparation. One pair of rings is required for use in this application for either double cylinder or cylinder/turnpiece functions. Rings are finished match deadbolts. *Packed one pair per box.*



Part No.	Finish	Retail/pair
BA8090-003	Lifetime Brass	15.00
BA8090-030	Polished Brass	15.00
BA8090-060	Satin Brass/Brown	15.00
BA8090-102	Oil Rubbed Bronze	15.00
BA8090-260	Polished Chromium	15.00
BA8090-264	Satin Chromium	15.00

KEY BLANKS

1.25" width bow designed for the disabled and handicapped people.

'C' keyway
Nickel Silver 50/box



Part No.		Price/ea
BA8335-152	5 Pin	3.00
BA8336-152	6 Pin	3.00