

Product Catalog & Price List

Innovative | Best Price | Designed in the USA



1882 Founded 1926 Patent 1987 Purchased 2002 Moved 2016 Celebrating

in New Britain, CT as
The Corbin Cabinet
Lock Company

Trade Dress &
Patent awarded
to Sesamee®

by The Eastern
Company

Moved to
Wheeling, IL

a time tested combination
of superior products and
pricing for 134 years

A Message

from Jerry Burhans
Worldwide Sales & Marketing

“ *A Company doesn’t last for 130 years by standing still. It endures by reinventing itself, always striving to satisfy its customers, and by winning in the marketplace.* ”



That’s the story of CCL Security Products®. We started as a Cabinet Lock company, and 35 years later invented the first resettable brass padlock... *and we’ve never stopped innovating.*

Over the last few years, we have expanded our offering with new Laminated Padlocks, Door Rekeyable Padlocks, LFIC Padlocks, IC Padlocks, KIK Padlocks, Storage Locks, Mailbox Locks, IC Cabinet Locks and TSA Accepted Locks. We have continued to grow our channel development in Retail Hardware, Luggage, Industrial, Security Distribution and Contract Hardware.

We won’t stand still, and we will always challenge ourselves to continue to create new and smart locks for you, the customer.



Since 1882, CCL has been a manufacturer and supplier of Padlocks, Cabinet Door Locks, Desk Drawer Locks, Cam Locks, Electrical Panel Board Locks, Enclosure Locks and other specialty lock products. CCL is also



known as the originator of the Sesamee Brand 4-wheel combination lock. In 1987 CCL was purchased by The Eastern Company. The Eastern Company was founded in 1858 and is a manufacturer of industrial hardware, security products and metal castings. It operates from locations in the U.S., Canada, Mexico, Taiwan and China. The diversity of the Company’s products enables it to respond to the changing requirements of a broad array of markets.



Contents

**Laminated
Padlocks**
pages 4-6



**Rekeyable
Padlocks**
pages 7-13



**Safety
Lockout
Padlocks**
pages 14-17



**IC
Padlocks**
pages 18-22



**Storage
Locks**
page 23



**Pin Tumbler
Padlocks**
pages 17,24-25



**Resettable
Padlocks**
pages 26-30



**Heavy Duty
Padlocks
& Discus**
pages 31-33



**TSA Travel
Locks**
pages 34-39



Cam Locks
pages 40-55



**Drawer & Cabinet
Locks**
pages 56-61



SFIC
pages 62-63



Draw Pull Catches
pages 64-67



**Enclosure
Locks**
pages 68-69



Handles
pages 70-73



Sliding Door Locks
pages 74-75



**Special
Purpose**
pages 76



Accessories pages 77-80
Displays page 81



DIY



43110

- Commercial grade padlock features superior protection from drilling and prying
- Laminated steel body for superior strength
- Hardened Molybdenum alloy shackle for superior cut resistance
- Dual locking ball bearing provides extra pry resistance
- Non-rekeyable, 4-pin cylinder helps prevent picking
- Product of Taiwan; designed in Wheeling, Illinois
- 4-pin brass cylinder in M1 Keyway
- 420 series is equal to 1, 3, 5 and 7 series
- **Key Blank No.: 430-KB-4PIN-M2 (430 series)**
- **Key Blank No.: 430-KB-4PIN-M1 (420/430 series)**

Best Used For:

- Industrial, Storefront & Business Gates
- Tool Cribs
- Construction Sites & Equipment
- Job Boxes & Gang Boxes

Made to Order:

- If ordering a Made to Order Key Code please allow for 6 week delivery time
- Made to Order Laminated are ordered with Model Stock# – Code i.e. (43320-A386)

430 Series Laminated Padlocks **NEW** Product Series

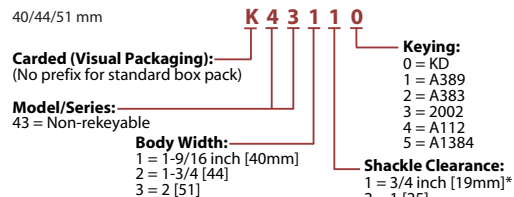
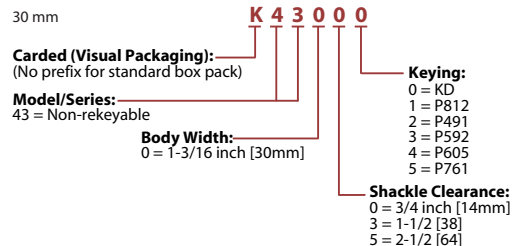
Pin Tumbler Non-Rekeyable

Part#	UPC Code	Shackle Clearance	Keyed	Body Width	Packaging	Shelf Pack	MSRP
Stock Items:							
K43000	021919003555	9/16" [14mm]	KD	1-3/16" [30mm]	Carded	6	\$7.69
43000	021919430009	9/16" [14mm]	KD	1-3/16" [30mm]	Box	6	\$7.69
43001	021919430016	9/16" [14mm]	KA1-P812	1-3/16" [30mm]	Box	6	\$7.69
43002	021919430023	9/16" [14mm]	KA2-P491	1-3/16" [30mm]	Box	6	\$7.69
43003	021919430030	9/16" [14mm]	KA3-P592	1-3/16" [30mm]	Box	6	\$7.69
43004	021919430047	9/16" [14mm]	KA4-P605	1-3/16" [30mm]	Box	6	\$7.69
43005	021919430054	9/16" [14mm]	KA5-P761	1-3/16" [30mm]	Box	6	\$7.69
K43030	021919003562	1-1/2" [38mm]	KD	1-3/16" [30mm]	Carded	6	\$9.89
43030	021919430306	1-1/2" [38mm]	KD	1-3/16" [30mm]	Box	6	\$9.89
43031	021919430313	1-1/2" [38mm]	KA1-P812	1-3/16" [30mm]	Box	6	\$9.89
43032	021919430320	1-1/2" [38mm]	KA2-P491	1-3/16" [30mm]	Box	6	\$9.89
43033	021919430337	1-1/2" [38mm]	KA3-P592	1-3/16" [30mm]	Box	6	\$9.89
43034	021919430344	1-1/2" [38mm]	KA4-P605	1-3/16" [30mm]	Box	6	\$9.89
43035	021919430351	1-1/2" [38mm]	KA5-P761	1-3/16" [30mm]	Box	6	\$9.89
K43050	021919003579	2-1/2" [64mm]	KD	1-3/16" [30mm]	Carded	6	\$10.99
43050	021919430504	2-1/2" [64mm]	KD	1-3/16" [30mm]	Box	6	\$10.99
43051	021919430511	2-1/2" [64mm]	KA1-P812	1-3/16" [30mm]	Box	6	\$10.99
43052	021919430528	2-1/2" [64mm]	KA2-P491	1-3/16" [30mm]	Box	6	\$10.99
43053	021919430535	2-1/2" [64mm]	KA3-P592	1-3/16" [30mm]	Box	6	\$10.99
43054	021919430542	2-1/2" [64mm]	KA4-P605	1-3/16" [30mm]	Box	6	\$10.99
43055	021919430559	2-1/2" [64mm]	KA5-P761	1-3/16" [30mm]	Box	6	\$10.99
K43110	021919003586	3/4" [19mm]	KD	1-9/16" [40mm]	Carded	6	\$9.89
43110	021919431105	3/4" [19mm]	KD	1-9/16" [40mm]	Box	6	\$9.89
43111	021919431112	3/4" [19mm]	KA1-A389	1-9/16" [40mm]	Box	6	\$9.89
43112	021919431129	3/4" [19mm]	KA2-A383	1-9/16" [40mm]	Box	6	\$9.89
43113	021919431136	3/4" [19mm]	KA3-2002	1-9/16" [40mm]	Box	6	\$9.89
43114	021919431143	3/4" [19mm]	KA4-A112	1-9/16" [40mm]	Box	6	\$9.89
43115	021919431150	3/4" [19mm]	KA5-A1384	1-9/16" [40mm]	Box	6	\$9.89
K43130	021919003593	1-1/2" [38mm]	KD	1-9/16" [40mm]	Carded	6	\$12.65
43130	021919431303	1-1/2" [38mm]	KD	1-9/16" [40mm]	Box	6	\$12.65
43131	021919431310	1-1/2" [38mm]	KA1-A389	1-9/16" [40mm]	Box	6	\$12.65
43132	021919431327	1-1/2" [38mm]	KA2-A383	1-9/16" [40mm]	Box	6	\$12.65
43133	021919431334	1-1/2" [38mm]	KA3-2002	1-9/16" [40mm]	Box	6	\$12.65
43134	021919431341	1-1/2" [38mm]	KA4-A112	1-9/16" [40mm]	Box	6	\$12.65
43135	021919431358	1-1/2" [38mm]	KA5-A1384	1-9/16" [40mm]	Box	6	\$12.65
K43140	021919003609	2" [51mm]	KD	1-9/16" [40mm]	Carded	6	\$13.75
43140	021919431402	2" [51mm]	KD	1-9/16" [40mm]	Box	6	\$13.75
43141	021919431419	2" [51mm]	KA1-A389	1-9/16" [40mm]	Box	6	\$13.75
43142	021919431426	2" [51mm]	KA2-A383	1-9/16" [40mm]	Box	6	\$13.75
43143	021919431433	2" [51mm]	KA3-2002	1-9/16" [40mm]	Box	6	\$13.75
43144	021919431440	2" [51mm]	KA4-A112	1-9/16" [40mm]	Box	6	\$13.75
43145	021919431457	2" [51mm]	KA5-A1384	1-9/16" [40mm]	Box	6	\$13.75

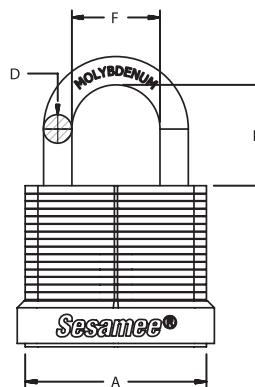
430 Series Laminated Padlocks, *continued*

Pin Tumbler Non-Rekeyable

Part#	UPC Code	Shackle Clearance	Keyed	Body Width	Packaging	Shelf Pack	MSRP
K43220	021919003616	1" [25mm]	KD	1-3/4" [44mm]	Carded	6	\$12.10
43220	021919432201	1" [25mm]	KD	1-3/4" [44mm]	Box	6	\$12.10
43221	021919432218	1" [25mm]	KA1-A389	1-3/4" [44mm]	Box	6	\$12.10
43222	021919432225	1" [25mm]	KA2-A383	1-3/4" [44mm]	Box	6	\$12.10
43223	021919432232	1" [25mm]	KA3-2002	1-3/4" [44mm]	Box	6	\$12.10
43224	021919432249	1" [25mm]	KA4-A112	1-3/4" [44mm]	Box	6	\$12.10
43225	021919432256	1" [25mm]	KA5-A1384	1-3/4" [44mm]	Box	6	\$12.10
K43230	021919003623	1-1/2" [38mm]	KD	1-3/4" [44mm]	Carded	6	\$13.20
43230	021919432300	1-1/2" [38mm]	KD	1-3/4" [44mm]	Box	6	\$13.20
43231	021919432317	1-1/2" [38mm]	KA1-A389	1-3/4" [44mm]	Box	6	\$13.20
43232	021919432324	1-1/2" [38mm]	KA2-A383	1-3/4" [44mm]	Box	6	\$13.20
43233	021919432331	1-1/2" [38mm]	KA3-2002	1-3/4" [44mm]	Box	6	\$13.20
43234	021919432348	1-1/2" [38mm]	KA4-A112	1-3/4" [44mm]	Box	6	\$13.20
43235	021919432355	1-1/2" [38mm]	KA5-A1384	1-3/4" [44mm]	Box	6	\$13.20
K43250	021919003630	2-1/2" [64mm]	KD	1-3/4" [44mm]	Carded	6	\$14.30
43250	021919432508	2-1/2" [64mm]	KD	1-3/4" [44mm]	Box	6	\$14.30
43251	021919432515	2-1/2" [64mm]	KA1-A389	1-3/4" [44mm]	Box	6	\$14.30
43252	021919432522	2-1/2" [64mm]	KA2-A383	1-3/4" [44mm]	Box	6	\$14.30
43253	021919432539	2-1/2" [64mm]	KA3-2002	1-3/4" [44mm]	Box	6	\$14.30
43254	021919432546	2-1/2" [64mm]	KA4-A112	1-3/4" [44mm]	Box	6	\$14.30
43255	021919432553	2-1/2" [64mm]	KA5-A1384	1-3/4" [44mm]	Box	6	\$14.30
K43320	021919003647	1" [25mm]	KD	2" [51mm]	Carded	6	\$15.40
43320	021919433208	1" [25mm]	KD	2" [51mm]	Box	6	\$15.40
43321	021919433215	1" [25mm]	KA1-A389	2" [51mm]	Box	6	\$15.40
43322	021919433222	1" [25mm]	KA2-A383	2" [51mm]	Box	6	\$15.40
43323	021919433239	1" [25mm]	KA3-2002	2" [51mm]	Box	6	\$15.40
43324	021919433246	1" [25mm]	KA4-A112	2" [51mm]	Box	6	\$15.40
43325	021919433253	1" [25mm]	KA5-A1384	2" [51mm]	Box	6	\$15.40
K43330	021919003654	1 1/2" [38mm]	KD	2" [51mm]	Carded	6	\$16.50
43330	021919433307	1 1/2" [38mm]	KD	2" [51mm]	Box	6	\$16.50
43331	021919433314	1-1/2" [38mm]	KA1-A389	2" [51mm]	Box	6	\$16.50
43332	021919433321	1-1/2" [38mm]	KA2-A383	2" [51mm]	Box	6	\$16.50
43333	021919433338	1-1/2" [38mm]	KA3-2002	2" [51mm]	Box	6	\$16.50
43334	021919433345	1-1/2" [38mm]	KA4-A112	2" [51mm]	Box	6	\$16.50
43335	021919433352	1-1/2" [38mm]	KA5-A1384	2" [51mm]	Box	6	\$16.50
K43350	021919003661	2-1/2" [64mm]	KD	2" [51mm]	Carded	6	\$17.60
43350	021919433505	2-1/2" [64mm]	KD	2" [51mm]	Box	6	\$17.60
43351	021919433512	2-1/2" [64mm]	KA1-A389	2" [51mm]	Box	6	\$17.60
43352	021919433529	2-1/2" [64mm]	KA2-A383	2" [51mm]	Box	6	\$17.60
43353	021919433536	2-1/2" [64mm]	KA3-2002	2" [51mm]	Box	6	\$17.60
43354	021919433543	2-1/2" [64mm]	KA4-A112	2" [51mm]	Box	6	\$17.60
43355	021919433550	2-1/2" [64mm]	KA5-A1384	2" [51mm]	Box	6	\$17.60



* 3/4 and 2 inch shackle clearances available in 1-9/16 inch [40mm] body width only.



Part#	Body Width (A)	D	E	F	pins (pc)
43000-43005	1-3/16" [30mm]	3/16" [5mm]	9/16" [14mm]	9/16" [14mm]	4
43030-43035	1-3/16" [30mm]	3/16" [5mm]	1-1/2" [38mm]	9/16" [14mm]	4
43050-43055	1-3/16" [30mm]	3/16" [5mm]	2-1/2" [64mm]	9/16" [14mm]	4
43110-43115	1-9/16" [40mm]	1/4" [6.3mm]	3/4" [19mm]	4/5" [20mm]	4
43130-43135	1-9/16" [40mm]	1/4" [6.3mm]	1-1/2" [38mm]	4/5" [20mm]	4
43140-43145	1-9/16" [40mm]	1/4" [6.3mm]	2" [51mm]	4/5" [20mm]	4
43220-43225	1-3/4" [44mm]	5/16" [7mm]	1" [25mm]	5/6" [21.5mm]	4
43230-43235	1-3/4" [44mm]	5/16" [7mm]	1-1/2" [38mm]	5/6" [21.5mm]	4
43250-43255	1-3/4" [44mm]	5/16" [7mm]	2-1/2" [64mm]	5/6" [21.5mm]	4
43320-43325	2" [51mm]	3/8" [9.8mm]	1" [25mm]	15/16" [24mm]	4
43330-43335	2" [51mm]	3/8" [9.8mm]	1-1/2" [38mm]	15/16" [24mm]	4
43350-43355	2" [51mm]	3/8" [9.8mm]	2-1/2" [64mm]	15/16" [24mm]	4

DIY

450 Series Weather Covered Padlocks ▶▶ NEW Product Series Pin Tumbler Non-Rekeyable



45110-Black



45110-Silver



45110-Red



45110-Blue



45110-Green



45110-Yellow



45110-Orange

K 4 5 1 0 0

Carded (Visual Packaging):
(No prefix for standard box pack)

Model/Series:
45 = Non-rekeyable/Weather Covered

Body Width:
1 = 1-3/4 inch [44mm]

Keying:

- 0 = KD
- 1 = A389
- 2 = A383
- 3 = 2002
- 4 = A112
- 5 = A1384

Shackle Clearance:

- 1 = 3/4 inch [19mm]
- 3 = 1-1/2 [38]
- 4 = 2 [51]

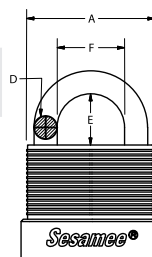
- Laminated lock body with quality plating
- Hardened steel shackle with chrome plating and PVC cover
- Anti-bumping, anti-picking, anti-drilling cylinder
- 4-pin brass cylinder in M1 Keyway
- Quality PVC cover to protect surface and is available in 9 colors
- Sliding plastic bottom plate to protect keyway
- Dual steel ball locking mechanism
- Two keys provided per lock
- Product of Taiwan; designed in Wheeling, Illinois
- **Key Blank No.: 430-KB-4PIN-M1**

Part#	UPC Codes	Shackle Clearance	Keyed	Body Width	Packaging	Shelf Pack	Master Pack	MSRP
-------	-----------	-------------------	-------	------------	-----------	------------	-------------	------

Stock Items:

K45110	021919451103	3/4" [19mm]	KD	1-3/4" [44mm]	Card	6	36	\$13.19
45110	021919002312	3/4" [19mm]	KD	1-3/4" [44mm]	Box	6	36	\$13.19
45111	021919002329	3/4" [19mm]	KA-A389	1-3/4" [44mm]	Box	6	36	\$13.19
45112	021919002343	3/4" [19mm]	KA-A383	1-3/4" [44mm]	Box	6	36	\$13.19
45113	021919002305	3/4" [19mm]	KA-2002	1-3/4" [44mm]	Box	6	36	\$13.19
45114	021919002299	3/4" [19mm]	KA-A112	1-3/4" [44mm]	Box	6	36	\$13.19
45115	021919002336	3/4" [19mm]	KA-A1384	1-3/4" [44mm]	Box	6	36	\$13.19
K45130	021919451301	1-1/2"[38mm]	KD	1-3/4" [44mm]	Card	6	36	\$15.95
45130	021919002732	1-1/2"[38mm]	KD	1-3/4" [44mm]	Box	6	36	\$15.95
45131	021919002749	1-1/2"[38mm]	KA-A389	1-3/4" [44mm]	Box	6	36	\$15.95
45132	021919002763	1-1/2"[38mm]	KA-A383	1-3/4" [44mm]	Box	6	36	\$15.95
45133	021919002725	1-1/2"[38mm]	KA-2002	1-3/4" [44mm]	Box	6	36	\$15.95
45134	021919002718	1-1/2"[38mm]	KA-A112	1-3/4" [44mm]	Box	6	36	\$15.95
45135	021919002756	1-1/2"[38mm]	KA-A1384	1-3/4" [44mm]	Box	6	36	\$15.95
K45140	021919451400	2" [51mm]	KD	1-3/4" [44mm]	Card	6	36	\$17.05
45140	021919003159	2" [51mm]	KD	1-3/4" [44mm]	Box	6	36	\$17.05
45141	021919003166	2" [51mm]	KA-A389	1-3/4" [44mm]	Box	6	36	\$17.05
45142	021919003180	2" [51mm]	KA-A383	1-3/4" [44mm]	Box	6	36	\$17.05
45143	021919003142	2" [51mm]	KA-2002	1-3/4" [44mm]	Box	6	36	\$17.05
45144	021919003135	2" [51mm]	KA-A112	1-3/4" [44mm]	Box	6	36	\$17.05
45145	021919003173	2" [51mm]	KA-A1384	1-3/4" [44mm]	Box	6	36	\$17.05

Part#	Dimension (mm)			
	A	D	E	F
45110-15	45mm	8.1mm	19mm	18mm
45130-35	45mm	8.1mm	38mm	18mm
45140-45	45mm	8.1mm	51mm	18mm

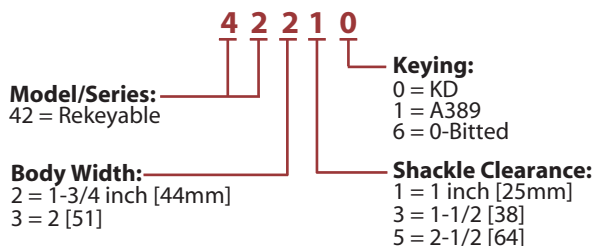


Stock color is Black. For additional color add the color after the Part Number when ordering i.e. 45110-Red

For additional Body widths please contact factory.



420 Series Rekeyable Padlocks >>> NEW Product Series



- Commercial grade padlock features superior protection from drilling and prying
 - Laminated steel body for superior strength
 - Hardened Molybdenum alloy shackle for superior cut resistance
 - Dual locking ball bearing providing extra pry resistance
 - Rekeyable, 4-pin cylinder helps prevent picking
 - Drilled 5 pinned 4
 - Popular M-1 Keyway
 - Product of Taiwan; designed in Wheeling, Illinois
 - Key Blank No.: 430-KB-4PIN-M1 (420/430 series)**
 - Key Blank No.: 420-KB-5PIN-M16 (420 series)**
- Best Used For:**
- Industrial, Storefront & Business Gates
 - Tool Cribs
 - Construction Sites & Equipment
 - Job Boxes & Gang Boxes



42210



Part#	Shackle Clearance	Keyed	Body Width	Number of Pins	Packaging	Shelf Pack	MSRP
-------	-------------------	-------	------------	----------------	-----------	------------	------

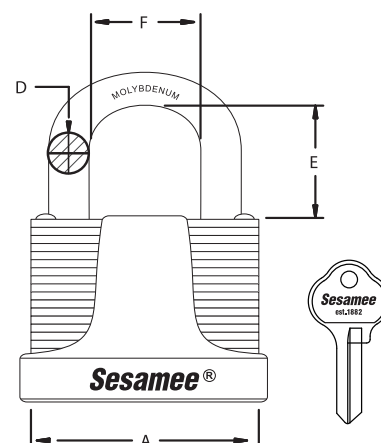
Stock Items:

42210	1" [25mm]	KD	1-3/4" [44mm]	4	Box	6	\$18.43
42211	1" [25mm]	KA1-A389	1-3/4" [44mm]	4	Box	6	\$18.43
42216	1" [25mm]	KA6-ZERO	1-3/4" [44mm]	4	Box	6	\$18.43
42230	1-1/2 [38mm]	KD	1-3/4" [44mm]	4	Box	6	\$20.08
42231	1-1/2 [38mm]	KA1-A389	1-3/4" [44mm]	4	Box	6	\$20.08
42236	1-1/2 [38mm]	KA6-ZERO	1-3/4" [44mm]	4	Box	6	\$20.08
42250	2-1/2" [64mm]	KD	1-3/4" [44mm]	4	Box	6	\$23.38
42251	2-1/2" [64mm]	KA1-A389	1-3/4" [44mm]	4	Box	6	\$23.38
42256	2-1/2" [64mm]	KA6-ZERO	1-3/4" [44mm]	4	Box	6	\$23.38
42310	1" [25mm]	KD	2" [51mm]	4	Box	6	\$22.28
42311	1" [25mm]	KA1-A389	2" [51mm]	4	Box	6	\$22.28
42316	1" [25mm]	KA6-ZERO	2" [51mm]	4	Box	6	\$22.28
42330	1-1/2" [38mm]	KD	2" [51mm]	4	Box	6	\$23.93
42331	1-1/2" [38mm]	KA1-A389	2" [51mm]	4	Box	6	\$23.93
42336	1-1/2" [38mm]	KA6-ZERO	2" [51mm]	4	Box	6	\$23.93
42350	2-1/2" [64mm]	KD	2" [51mm]	4	Box	6	\$25.58
42351	2-1/2" [64mm]	KA1-A389	2" [51mm]	4	Box	6	\$25.58
42356	2-1/2" [64mm]	KA6-ZERO	2" [51mm]	4	Box	6	\$25.58

Accessories

KK420	Laminated Rekeyable Pinning Service Kit	\$440.00
-------	---	----------

Part#	Body Width (A)	D	E	F	pins (pc)
42210-42216	1-3/4" [44mm]	5/16" [7mm]	1" [25mm]	3/4" [19mm]	4
42230-42236	1-3/4" [44mm]	5/16" [7mm]	1-1/2" [38mm]	3/4" [19mm]	4
42250-42256	1-3/4" [44mm]	5/16" [7mm]	2-1/2" [64mm]	3/4" [19mm]	4
42310-42316	2" [51mm]	3/8" [8.8mm]	1" [25mm]	15/16" [24mm]	4
42330-42336	2" [51mm]	3/8" [8.8mm]	1-1/2" [38mm]	15/16" [24mm]	4
42350-42356	2" [51mm]	3/8" [8.8mm]	2-1/2" [64mm]	15/16" [24mm]	4



DIY



83501



83 Series Brass Rekeyable Door Compatible Lock

» **NEW** Product Series

Part#	UPC Code	Shackle Clearance	Shackle Diameter	Keyed	Body Width	# of Pins	Packaging	Shelf Pack	MSRP
Stock Items:									
83451-W/O	021919003678	1" [25mm]	5/16" [7.93mm]	Less Cylinder	1-3/4" [45mm]	W/O	Box	6	\$29.40
83451-SCHLAGE	021919003685	1" [25mm]	5/16" [7.93mm]	0-bitted	1-3/4" [45mm]	6/5	Box	6	\$31.50
83451-YALE	021919003739	1" [25mm]	5/16" [7.93mm]	0-bitted	1-3/4" [45mm]	6/5	Box	6	\$31.50
83451-KWIK	021919003852	1" [25mm]	5/16" [7.93mm]	0-bitted	1-3/4" [45mm]	6/5	Box	6	\$31.50
83501-W/O	021919003692	1" [25mm]	3/8" [8.8mm]	Less Cylinder	2" [50mm]	W/O	Box	6	\$36.75
83501-SCHLAGE	021919003708	1" [25mm]	3/8" [8.8mm]	0-bitted	2" [50mm]	6/5	Box	6	\$38.85
83501-YALE	021919003746	1" [25mm]	3/8" [8.8mm]	0-bitted	2" [50mm]	6/5	Box	6	\$38.85
83501-KWIK	021919003869	1" [25mm]	3/8" [8.8mm]	0-bitted	2" [50mm]	6/5	Box	6	\$38.85
Cylinder: 83331	021919003715			0-bitted Schlage			Box	12	\$13.13

- Double Ball Bearing Locking Mechanism
- Quality Chrome Plated Molybdenum Shackle
- Easy Change to KR with Set Screw Included with each Padlock
- Brass Lock Body
- Cylinder features Anti-Bumping and Anti-Picking Pin Tumbler Brass Cylinder
- Made in Taiwan; Designed in USA

Lock comes Standard in Schlage C® keyway. For other keyways please specify after part number. Please check with Factory for keyways available.

83 Series 5/16" Replacement Shackle*

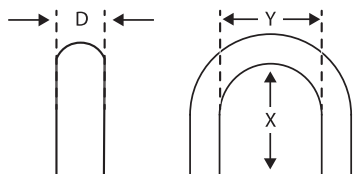
Suitable for Padlock	D	X	Y	Part#	Material	Finish	MSRP
Molybdenum Shackle	5/16"	3/4"	3/4"	99510	Moly	Chrome	\$5.50
Molybdenum Shackle	5/16"	1"	3/4"	99511	Moly	Chrome	\$6.60
Molybdenum Shackle	5/16"	1-1/2"	3/4"	99512	Moly	Chrome	\$7.70
Molybdenum Shackle	5/16"	2"	3/4"	99513	Moly	Chrome	\$8.80
Molybdenum Shackle	5/16"	3"	3/4"	99514	Moly	Chrome	\$9.90
Molybdenum Shackle	5/16"	4"	3/4"	99515	Moly	Chrome	\$11.00
Brass Shackle	5/16"	3/4"	3/4"	99520	Brass	Brass	\$6.05
Brass Shackle	5/16"	1"	3/4"	99521	Brass	Brass	\$7.15
Brass Shackle	5/16"	1-1/2"	3/4"	99522	Brass	Brass	\$8.25
Brass Shackle	5/16"	2"	3/4"	99523	Brass	Brass	\$9.35
Brass Shackle	5/16"	3"	3/4"	99524	Brass	Brass	\$10.45
Brass Shackle	5/16"	4"	3/4"	99525	Brass	Brass	\$11.55
Stainless Steel Shackle	5/16"	3/4"	3/4"	99530	Stainless	Stainless	\$6.05
Stainless Steel Shackle	5/16"	1"	3/4"	99531	Stainless	Stainless	\$7.15
Stainless Steel Shackle	5/16"	1-1/2"	3/4"	99532	Stainless	Stainless	\$8.25
Stainless Steel Shackle	5/16"	2"	3/4"	99533	Stainless	Stainless	\$9.35
Stainless Steel Shackle	5/16"	3"	3/4"	99534	Stainless	Stainless	\$10.45
Stainless Steel Shackle	5/16"	4"	3/4"	99535	Stainless	Stainless	\$11.55

Model/Series
 Shackle Diameter & (Body Width):
 84 = 1/4 inch (1-3/4 inch)
 86 = 5/16 (1-3/4)
 88 = 3/8 (2)

Core Mfg:
 0 = KIK (Prepped for Schlage)

Shackle Clearance:
 0 = 3/4 inch
 1 = 1
 2 = 1-1/2
 3 = 2
 4 = 3

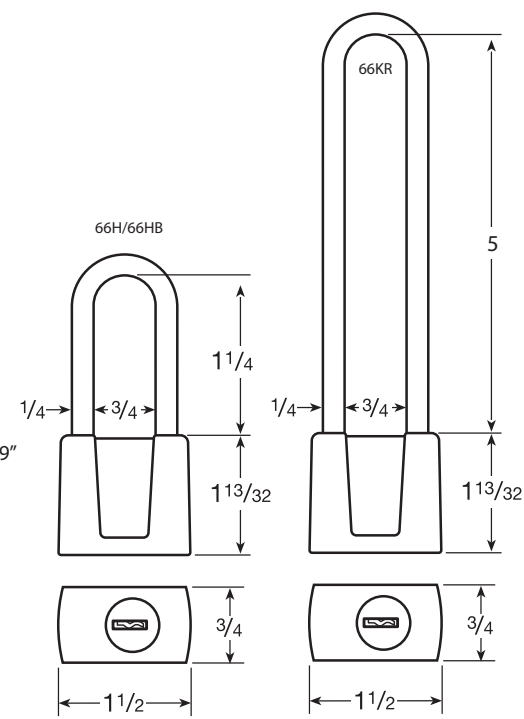
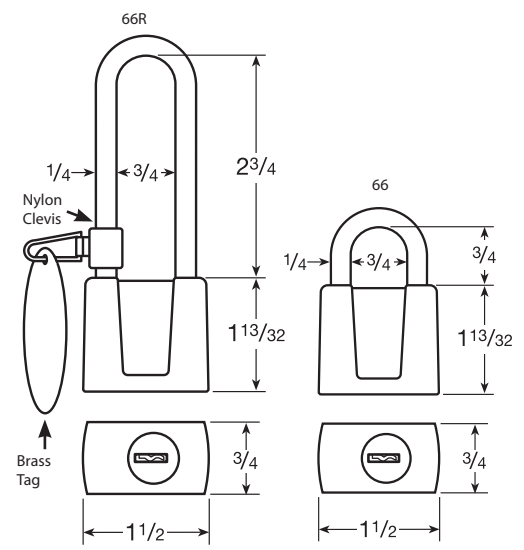
Shackle Material:
 1 = Molybdenum
 2 = Brass
 3 = Stainless Steel



*560-760-860-83/45

66 | 66R | 66KR Padlocks Disc Tumbler Rekeyable

Part#	Shackle Clearance	Keyed	Body Width	Number of Discs	MFT PT #	Shelf Pack	Shelf Pack Weight lbs/oz	MSRP
Stock Items:								
66	3/4"	KA CAT 60	1-1/2"	5	00094	10	4/0	\$11.00
66	3/4"	KD AUE	1-1/2"	6	03060	10	4/0	\$11.00
66	3/4"	KD & MK M8003	1-1/2"	6	00103	10	4/0	\$11.55
66	3/4"	KA CAT15	1-1/2"	5	00091	10	4/0	\$11.00
66	3/4"	KA CAT30	1-1/2"	5	00092	10	4/0	\$11.00
66	3/4"	KA AUE1	1-1/2"	6	00090	10	4/0	\$11.00
66	3/4"	KA AUE50	1-1/2"	6	00093	10	4/0	\$11.00
K66	3/4"	KD AUE	1-1/2"	6	00088	8	4/0	\$12.10
Made-To-Order Items:								
66	3/4"		1-1/2"	5/6				\$13.34
66H	1-1/4"		1-1/2"	5/6				\$16.98
66HB*	1-1/4"		1-1/2"	5/6				\$16.98
66K	5"		1-1/2"	5/6				\$16.98
66P	2-3/4"		1-1/2"	5/6				\$16.98
Master Keying Charge								\$4.62
Stock Items:								
66R	2-3/4"	KD AUE	1-1/2"	6	00096	10	4/5	\$14.30
66R	2-3/4"	KD & MK M8003	1-1/2"	6	00098	10	4/5	\$15.40
66R	2-3/4"	KA AUE1	1-1/2"	6	00097	10	4/5	\$14.30
66KR	5"	KD AUE	1-1/2"	6	00099	10	4/5	\$15.40
66KR	5"	KD & MK M8003	1-1/2"	6	00101	10	4/5	\$17.60
66KR	5"	KA AUE1	1-1/2"	6	00100	10	4/5	\$14.30
Made-To-Order Items:								
66R	2-3/4"		1-1/2"	5/6				\$13.95
66KR	5"		1-1/2"	5/6				\$15.16
Clevis & Ring					398F779			\$1.21
Tag					171F252			\$1.21
Master Keying Charge								\$4.62

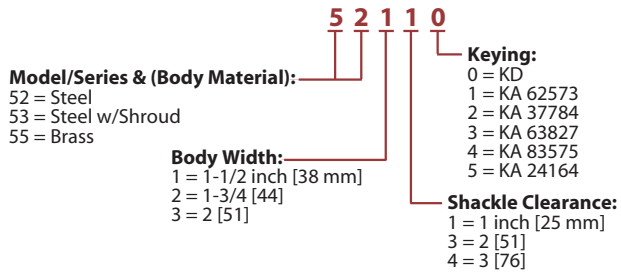


* 66H available with breakable shackle for emergency entry. Specify on order using suffix "B" (e.g., 66HB)

- Material:** Solid pressure cast, textured military green matte finish. Hardened steel, chrome plated shackle.
- Key Blank No.:** 5865-JVR (5 Disc), 8658-JVR (6 Disc)
- Regular Key Changes:** 200 (5 Disc), 700 (6 Disc)
- Master Keying Key Changes:** 180 (5 Disc), 700 (6 Disc)
- Master Keying:** Available when specified on order
- Chain:** Available with 2217N steel chain assembly, 9" chain. Specify on order suffix "C" (e.g., 66C).
- Stock Items:** Made in Taiwan
- Made-To-Order Items:** Made in the USA

Commercial

500 Series Steel Rekeyable **NEW** Product Series



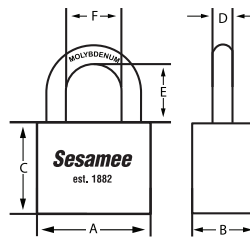
Part#	UPC Code	Body Material	Body Width inch/mm	Shackle Clearance inch/mm	KA/KD	Dimensions						Package	Shelf Pack	Master Pack	MSRP
						A	B	C	D	E	F				
52110	021919521103	Steel	1-1/2" [38mm]	1" [25mm]	KD	40	19	46	6.3	25	20	Box	6	30	\$22.00
52111	021919521110	Steel	1-1/2" [38mm]	1" [25mm]	KA1 - 62573	40	19	46	6.3	25	20	Box	6	30	\$22.00
52112	021919521127	Steel	1-1/2" [38mm]	1" [25mm]	KA2 - 37784	40	19	46	6.3	25	20	Box	6	30	\$22.00
52113	021919521134	Steel	1-1/2" [38mm]	1" [25mm]	KA3 - 63827	40	19	46	6.3	25	20	Box	6	30	\$22.00
52114	021919521141	Steel	1-1/2" [38mm]	1" [25mm]	KA4 - 83575	40	19	46	6.3	25	20	Box	6	30	\$22.00
52115	021919521158	Steel	1-1/2" [38mm]	1" [25mm]	KA5 - 24164	40	19	46	6.3	25	20	Box	6	30	\$22.00
52130	021919521301	Steel	1-1/2" [38mm]	2" [51mm]	KD	40	19	46	6.3	51	20	Box	6	30	\$23.10
52131	021919521318	Steel	1-1/2" [38mm]	2" [51mm]	KA1 - 62573	40	19	46	6.3	51	20	Box	6	30	\$23.10
52132	021919521325	Steel	1-1/2" [38mm]	2" [51mm]	KA2 - 37784	40	19	46	6.3	51	20	Box	6	30	\$23.10
52133	021919521332	Steel	1-1/2" [38mm]	2" [51mm]	KA3 - 63827	40	19	46	6.3	51	20	Box	6	30	\$23.10
52134	021919521349	Steel	1-1/2" [38mm]	2" [51mm]	KA4 - 83575	40	19	46	6.3	51	20	Box	6	30	\$23.10
52135	021919521356	Steel	1-1/2" [38mm]	2" [51mm]	KA5 - 24164	40	19	46	6.3	51	20	Box	6	30	\$23.10
52140	021919521400	Steel	1-1/2" [38mm]	3" [76mm]	KD	40	19	46	6.3	76	20	Box	6	30	\$24.20
52141	021919521417	Steel	1-1/2" [38mm]	3" [76mm]	KA1 - 62573	40	19	46	6.3	76	20	Box	6	30	\$24.20
52142	021919521424	Steel	1-1/2" [38mm]	3" [76mm]	KA2 - 37784	40	19	46	6.3	76	20	Box	6	30	\$24.20
52143	021919521431	Steel	1-1/2" [38mm]	3" [76mm]	KA3 - 63827	40	19	46	6.3	76	20	Box	6	30	\$24.20
52144	021919521448	Steel	1-1/2" [38mm]	3" [76mm]	KA4 - 83575	40	19	46	6.3	76	20	Box	6	30	\$24.20
52145	021919521455	Steel	1-1/2" [38mm]	3" [76mm]	KA5 - 24164	40	19	46	6.3	76	20	Box	6	30	\$24.20
52210	021919522100	Steel	1-3/4" [44mm]	1" [25mm]	KD	44	19	46	8	25	20	Box	6	30	\$24.20
52211	021919522117	Steel	1-3/4" [44mm]	1" [25mm]	KA1 - 62573	44	19	46	8	25	20	Box	6	30	\$24.20
52212	021919522124	Steel	1-3/4" [44mm]	1" [25mm]	KA2 - 37784	44	19	46	8	25	20	Box	6	30	\$24.20
52213	021919522131	Steel	1-3/4" [44mm]	1" [25mm]	KA3 - 63827	44	19	46	8	25	20	Box	6	30	\$24.20
52214	021919522148	Steel	1-3/4" [44mm]	1" [25mm]	KA4 - 83575	44	19	46	8	25	20	Box	6	30	\$24.20
52215	021919522155	Steel	1-3/4" [44mm]	1" [25mm]	KA5 - 24164	44	19	46	8	25	20	Box	6	30	\$24.20
52230	021919522308	Steel	1-3/4" [44mm]	2" [51mm]	KD	44	19	46	8	51	20	Box	6	30	\$25.30
52231	021919522315	Steel	1-3/4" [44mm]	2" [51mm]	KA1 - 62573	44	19	46	8	51	20	Box	6	30	\$25.30
52232	021919522322	Steel	1-3/4" [44mm]	2" [51mm]	KA2 - 37784	44	19	46	8	51	20	Box	6	30	\$25.30
52233	021919522339	Steel	1-3/4" [44mm]	2" [51mm]	KA3 - 63827	44	19	46	8	51	20	Box	6	30	\$25.30
52234	021919522346	Steel	1-3/4" [44mm]	2" [51mm]	KA4 - 83575	44	19	46	8	51	20	Box	6	30	\$25.30
52235	021919522353	Steel	1-3/4" [44mm]	2" [51mm]	KA5 - 24164	44	19	46	8	51	20	Box	6	30	\$25.30
52240	021919522407	Steel	1-3/4" [44mm]	3" [76mm]	KD	44	19	46	8	76	20	Box	6	30	\$26.40
52241	021919522414	Steel	1-3/4" [44mm]	3" [76mm]	KA1 - 62573	44	19	46	8	76	20	Box	6	30	\$26.40
52242	021919522421	Steel	1-3/4" [44mm]	3" [76mm]	KA2 - 37784	44	19	46	8	76	20	Box	6	30	\$26.40
52243	021919522438	Steel	1-3/4" [44mm]	3" [76mm]	KA3 - 63827	44	19	46	8	76	20	Box	6	30	\$26.40
52244	021919522445	Steel	1-3/4" [44mm]	3" [76mm]	KA4 - 83575	44	19	46	8	76	20	Box	6	30	\$26.40
52245	021919522452	Steel	1-3/4" [44mm]	3" [76mm]	KA5 - 24164	44	19	46	8	76	20	Box	6	30	\$26.40



500 Series Steel Rekeyable, *continued* **NEW** Product Series

Part#	UPC Code	Body Material	Body Width inch/mm	Shackle Clearance inch/mm	KA/KD							Package	Shelf Pack	Master Pack	MSRP
						A	B	C	D	E	F				
52310	021919523107	Steel	2" [51mm]	1" [25mm]	KD	15	19	46	9.5	25	20	Box	6	30	\$28.60
52311	021919523114	Steel	2" [51mm]	1" [25mm]	KA1 - 62573	51	19	46	9.5	25	20	Box	6	30	\$28.60
52312	021919523121	Steel	2" [51mm]	1" [25mm]	KA2 - 37784	51	19	46	9.5	25	20	Box	6	30	\$28.60
52313	021919523138	Steel	2" [51mm]	1" [25mm]	KA3 - 63827	51	19	46	9.5	25	20	Box	6	30	\$28.60
52314	021919523145	Steel	2" [51mm]	1" [25mm]	KA4 - 83575	51	19	46	9.5	25	20	Box	6	30	\$28.60
52315	021919523152	Steel	2" [51mm]	1" [25mm]	KA5 - 24164	51	19	46	9.5	25	20	Box	6	30	\$28.60
52330	021919523305	Steel	2" [51mm]	2" [51mm]	KD	51	19	46	9.5	51	20	Box	6	30	\$29.70
52331	021919523312	Steel	2" [51mm]	2" [51mm]	KA1 - 62573	51	19	46	9.5	51	20	Box	6	30	\$29.70
52332	021919523329	Steel	2" [51mm]	2" [51mm]	KA2 - 37784	51	19	46	9.5	51	20	Box	6	30	\$29.70
52333	021919523336	Steel	2" [51mm]	2" [51mm]	KA3 - 63827	51	19	46	9.5	51	20	Box	6	30	\$29.70
52334	021919523343	Steel	2" [51mm]	2" [51mm]	KA4 - 83575	51	19	46	9.5	51	20	Box	6	30	\$29.70
52335	021919523350	Steel	2" [51mm]	2" [51mm]	KA5 - 24164	51	19	46	9.5	51	20	Box	6	30	\$29.70
52340	021919523404	Steel	2" [51mm]	3" [76mm]	KD	51	19	46	9.5	76	20	Box	6	30	\$30.80
52341	021919523411	Steel	2" [51mm]	3" [76mm]	KA1 - 62573	51	19	46	9.5	76	20	Box	6	30	\$30.80
52342	021919523428	Steel	2" [51mm]	3" [76mm]	KA2 - 37784	51	19	46	9.5	76	20	Box	6	30	\$30.80
52343	021919523435	Steel	2" [51mm]	3" [76mm]	KA3 - 63827	51	19	46	9.5	76	20	Box	6	30	\$30.80
52344	021919523442	Steel	2" [51mm]	3" [76mm]	KA4 - 83575	51	19	46	9.5	76	20	Box	6	30	\$30.80
52345	021919523459	Steel	2" [51mm]	3" [76mm]	KA5 - 24164	51	19	46	9.5	76	20	Box	6	30	\$30.80
53210	021919532109	Steel Shrouded	1-3/4" [44mm]	1" [25mm]	KD	44	19	76	8	25	20	Box	6	30	\$39.60
53211	021919532116	Steel Shrouded	1-3/4" [44mm]	1" [25mm]	KA1 - 62573	44	19	76	8	25	20	Box	6	30	\$39.60
53212	021919532123	Steel Shrouded	1-3/4" [44mm]	1" [25mm]	KA2 - 37784	44	19	76	8	25	20	Box	6	30	\$39.60
53213	021919532130	Steel Shrouded	1-3/4" [44mm]	1" [25mm]	KA3 - 63827	44	19	76	8	25	20	Box	6	30	\$39.60
53214	021919532147	Steel Shrouded	1-3/4" [44mm]	1" [25mm]	KA4 - 83575	44	19	76	8	25	20	Box	6	30	\$39.60
53215	021919532154	Steel Shrouded	1-3/4" [45mm]	1" [25mm]	KA5 - 24164	44	19	76	8	25	20	Box	6	30	\$39.60
53310	021919533106	Steel Shrouded	2" [51mm]	1" [25mm]	KD	51	19	76	9.5	25	20	Box	6	30	\$40.70
53311	021919533113	Steel Shrouded	2" [51mm]	1" [25mm]	KA1 - 62573	51	19	76	9.5	25	20	Box	6	30	\$40.70
53312	021919533120	Steel Shrouded	2" [51mm]	1" [25mm]	KA2 - 37784	51	19	76	9.5	25	20	Box	6	30	\$40.70
53313	021919533137	Steel Shrouded	2" [51mm]	1" [25mm]	KA3 - 63827	51	19	76	9.5	25	20	Box	6	30	\$40.70
53314	021919533144	Steel Shrouded	2" [51mm]	1" [25mm]	KA4 - 83575	51	19	76	9.5	25	20	Box	6	30	\$40.70
53315	021919533151	Steel Shrouded	2" [51mm]	1" [25mm]	KA5 - 24164	51	19	76	9.5	25	20	Box	6	30	\$40.70

- Solid Steel Quality Chrome & Duplex Nickel Plated Lock Body
- Quality Chrome Plated Molybdenum Shackle
- Patented Quick-Change Shackle Design
- Double Ball Bearing Locking Mechanism
- Rekeyable 5 Pin Brass Cylinder with Anti-Pick Pinning
- Anti-Bumping Cylinder
- All padlocks come Non Key Retaining
- Key retaining set screw included with each lock
- Lock Features American Lock® Keyway
- Product of Taiwan; designed in Wheeling, Illinois

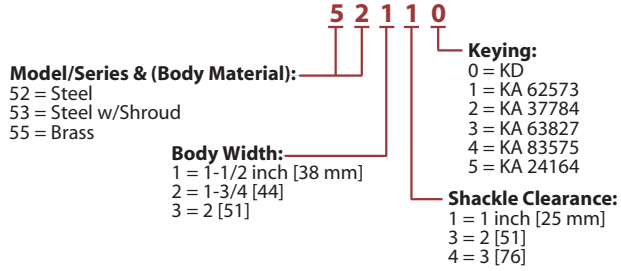


Part#	Body Width (A)	D	E	F
52110-52145	1-1/2" [38mm]	6.3mm	25-51-76mm	20
52210-52245	1-3/4" [44mm]	8.0mm	25-51-76mm	20
52310-52345	2" [51mm]	9.5mm	25-51-76mm	20
53210-53215	1-3/4" [44mm]	8.0mm	25-51-76mm	20
53310-53315	2" [51mm]	9.5mm	25-51-76mm	20



Commercial

500 Series Brass Rekeyable ➤ **NEW** Product Series

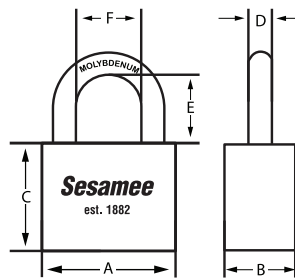


Part#	UPC Code	Body Material	Body Width inch/mm	Shackle Clearance inch/mm	KA/KD							Package	Shelf Pack	Master Pack	MSRP
						A	B	C	D	E	F				
55110	021919551100	Brass	1-1/2" [38mm]	1" [25mm]	KD	40	19	46	6.3	25	20	Box	6	30	\$26.95
55111	021919551117	Brass	1-1/2" [38mm]	1" [25mm]	KA1 – 62573	40	19	46	6.3	25	20	Box	6	30	\$26.95
55112	021919551124	Brass	1-1/2" [38mm]	1" [25mm]	KA2 – 37784	40	19	46	6.3	25	20	Box	6	30	\$26.95
55113	021919551131	Brass	1-1/2" [38mm]	1" [25mm]	KA3 – 63827	40	19	46	6.3	25	20	Box	6	30	\$26.95
55114	021919551148	Brass	1-1/2" [38mm]	1" [25mm]	KA4 – 83575	40	19	46	6.3	25	20	Box	6	30	\$26.95
55115	021919551155	Brass	1-1/2" [38mm]	1" [25mm]	KA5 – 24164	40	19	46	6.3	25	20	Box	6	30	\$26.95
55130	021919551308	Brass	1-1/2" [38mm]	2" [51mm]	KD	40	19	46	6.3	51	20	Box	6	30	\$27.50
55131	021919551315	Brass	1-1/2" [38mm]	2" [51mm]	KA1 – 62573	40	19	46	6.3	51	20	Box	6	30	\$27.50
55132	021919551322	Brass	1-1/2" [38mm]	2" [51mm]	KA2 – 37784	40	19	46	6.3	51	20	Box	6	30	\$27.50
55133	021919551339	Brass	1-1/2" [38mm]	2" [51mm]	KA3 – 63827	40	19	46	6.3	51	20	Box	6	30	\$27.50
55134	021919551346	Brass	1-1/2" [38mm]	2" [51mm]	KA4 – 83575	40	19	46	6.3	51	20	Box	6	30	\$27.50
55135	021919551353	Brass	1-1/2" [38mm]	2" [51mm]	KA5 – 24164	40	19	46	6.3	51	20	Box	6	30	\$27.50
55140	021919551407	Brass	1-1/2" [38mm]	3" [76mm]	KD	40	19	46	6.3	76	20	Box	6	30	\$29.15
55141	021919551414	Brass	1-1/2" [38mm]	3" [76mm]	KA1 – 62573	40	19	46	6.3	76	20	Box	6	30	\$29.15
55142	021919551421	Brass	1-1/2" [38mm]	3" [76mm]	KA2 – 37784	40	19	46	6.3	76	20	Box	6	30	\$29.15
55143	021919551438	Brass	1-1/2" [38mm]	3" [76mm]	KA3 – 63827	40	19	46	6.3	76	20	Box	6	30	\$29.15
55144	021919551445	Brass	1-1/2" [38mm]	3" [76mm]	KA4 – 83575	40	19	46	6.3	76	20	Box	6	30	\$29.15
55145	021919551452	Brass	1-1/2" [38mm]	3" [76mm]	KA5 – 24164	40	19	46	6.3	76	20	Box	6	30	\$29.15
55210	021919552107	Brass	1-3/4" [44mm]	1" [25mm]	KD	44	19	46	8	25	20	Box	6	30	\$29.70
55211	021919552114	Brass	1-3/4" [44mm]	1" [25mm]	KA1 – 62573	44	19	46	8	25	20	Box	6	30	\$29.70
55212	021919552121	Brass	1-3/4" [44mm]	1" [25mm]	KA2 – 37784	44	19	46	8	25	20	Box	6	30	\$29.70
55213	021919552138	Brass	1-3/4" [44mm]	1" [25mm]	KA3 – 63827	44	19	46	8	25	20	Box	6	30	\$29.70
55214	021919552145	Brass	1-3/4" [44mm]	1" [25mm]	KA4 – 83575	44	19	46	8	25	20	Box	6	30	\$27.50
55215	021919552152	Brass	1-3/4" [44mm]	1" [25mm]	KA5 – 24164	44	19	46	8	25	20	Box	6	30	\$27.50
55230	021919552305	Brass	1-3/4" [44mm]	2" [51mm]	KD	44	19	46	8	51	20	Box	6	30	\$29.15
55231	021919552312	Brass	1-3/4" [44mm]	2" [51mm]	KA1 – 62573	44	19	46	8	51	20	Box	6	30	\$29.15
55232	021919552329	Brass	1-3/4" [44mm]	2" [51mm]	KA2 – 37784	44	19	46	8	51	20	Box	6	30	\$29.15
55233	021919552336	Brass	1-3/4" [44mm]	2" [51mm]	KA3 – 63827	44	19	46	8	51	20	Box	6	30	\$29.15
55234	021919552343	Brass	1-3/4" [44mm]	2" [51mm]	KA4 – 83575	44	19	46	8	51	20	Box	6	30	\$29.15
55235	021919552350	Brass	1-3/4" [44mm]	2" [51mm]	KA5 – 24164	44	19	46	8	51	20	Box	6	30	\$29.15
55240	021919552404	Brass	1-3/4" [44mm]	3" [76mm]	KD	44	19	46	8	76	20	Box	6	30	\$29.70
55241	021919552411	Brass	1-3/4" [44mm]	3" [76mm]	KA1 – 62573	44	19	46	8	76	20	Box	6	30	\$29.70
55242	021919552428	Brass	1-3/4" [44mm]	3" [76mm]	KA2 – 37784	44	19	46	8	76	20	Box	6	30	\$29.70
55243	021919552435	Brass	1-3/4" [44mm]	3" [76mm]	KA3 – 63827	44	19	46	8	76	20	Box	6	30	\$29.70

500 Series Brass Rekeyable, *continued* **NEW** Product Series

Part#	UPC Code	Body Material	Body Width inch/mm	Shackle Clearance inch/mm	KA/KD							Package	Shelf Pack	Master Pack	MSRP
						A	B	C	D	E	F				
55244	021919552442	Brass	1-3/4" [44mm]	3" [76mm]	KA4 - 83575	44	19	46	8	76	20	Box	6	30	\$29.70
55245	021919552459	Brass	1-3/4" [44mm]	3" [76mm]	KA5 - 24164	44	19	46	8	76	20	Box	6	30	\$29.70
55310	021919553104	Brass	2" [51mm]	1" [25mm]	KD	51	19	46	9.5	25	20	Box	6	30	\$30.80
55311	021919553111	Brass	2" [51mm]	1" [25mm]	KA1 - 62573	51	19	46	9.5	25	20	Box	6	30	\$30.80
55312	021919553128	Brass	2" [51mm]	1" [25mm]	KA2 - 37784	51	19	46	9.5	25	20	Box	6	30	\$30.80
55313	021919553135	Brass	2" [51mm]	1" [25mm]	KA3 - 63827	51	19	46	9.5	25	20	Box	6	30	\$30.80
55314	021919553142	Brass	2" [51mm]	1" [25mm]	KA4 - 83575	51	19	46	9.5	25	20	Box	6	30	\$30.80
55315	021919553159	Brass	2" [51mm]	1" [25mm]	KA5 - 24164	51	19	46	9.5	25	20	Box	6	30	\$30.80
55330	021919553302	Brass	2" [51mm]	2" [51mm]	KD	51	19	46	9.5	51	20	Box	6	30	\$31.90
55331	021919553319	Brass	2" [51mm]	2" [51mm]	KA1 - 62573	51	19	46	9.5	51	20	Box	6	30	\$31.90
55332	021919553326	Brass	2" [51mm]	2" [51mm]	KA2 - 37784	51	19	46	9.5	51	20	Box	6	30	\$31.90
55333	021919553333	Brass	2" [51mm]	2" [51mm]	KA3 - 63827	51	19	46	9.5	51	20	Box	6	30	\$31.90
55334	021919553340	Brass	2" [51mm]	2" [51mm]	KA4 - 83575	51	19	46	9.5	51	20	Box	6	30	\$31.90
55335	021919553357	Brass	2" [51mm]	2" [51mm]	KA5 - 24164	51	19	46	9.5	51	20	Box	6	30	\$31.90
55340	021919553401	Brass	2" [51mm]	3" [76mm]	KD	51	19	46	9.5	76	20	Box	6	30	\$33.00
55341	021919553418	Brass	2" [51mm]	3" [76mm]	KA1 - 62573	51	19	46	9.5	76	20	Box	6	30	\$33.00
55342	021919553425	Brass	2" [51mm]	3" [76mm]	KA2 - 37784	51	19	46	9.5	76	20	Box	6	30	\$33.00
55343	021919553432	Brass	2" [51mm]	3" [76mm]	KA3 - 63827	51	19	46	9.5	76	20	Box	6	30	\$33.00
55344	021919553449	Brass	2" [51mm]	3" [76mm]	KA4 - 83575	51	19	46	9.5	76	20	Box	6	30	\$33.00
55345	021919553456	Brass	2" [51mm]	3" [76mm]	KA5 - 24164	51	19	46	9.5	76	20	Box	6	30	\$33.00

- Brass Lock Body
- Quality Chrome Plated Molybdenum Shackle
- Patented Quick-Change Shackle Design
- Double Ball Bearing Locking Mechanism
- Rekeyable 5 Pin Brass Cylinder with Anti-Pick Pinning
- Anti-Bumping Cylinder
- All padlocks come Non Key Retaining
- Key retaining set screw included with each lock
- Lock Features American Lock® Keyway
- Product of Taiwan; designed in Wheeling, Illinois



Part#	Body Width (A)	D	E	F
55110-55145	1-1/2" [38mm]	6.3mm	25-51-76mm	20
55210-55245	1-3/4" [44mm]	8.0mm	25-51-76mm	20
55310-55345	2" [51mm]	9.5mm	25-51-76mm	20



Key Retainer



Commercial

NEW Product Series

900 Series Aluminum Safety Lockout Padlocks



90111

Model/Series:
90 = Aluminum Safety Lockout

Keying:

- 1 = KA 62573
- 2 = KD
- 3 = SFIC
- 4 = KA 37784
- 5 = KA 63827

- Color:**
- 1 = Silver
 - 2 = Red
 - 3 = Black
 - 4 = Blue
 - 5 = Green
 - 6 = Yellow
 - 7 = Orange
 - 8 = Brown
 - 9 = Purple

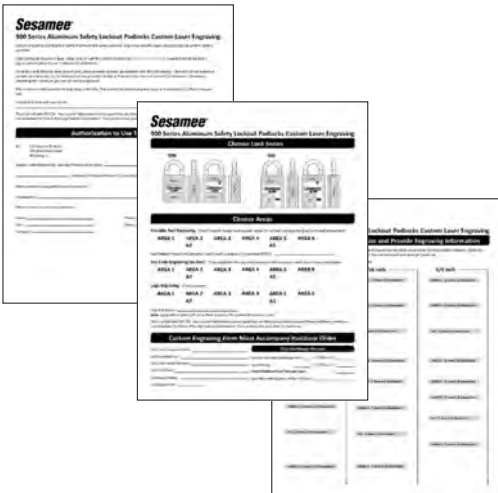
- Shackle Clearance:**
- 1 = 1 inch [25 mm]
 - 2 = 1-1/2 [38]
 - 4 = 3 [76]
 - 5 = 4 [102]

Cross Reference

Base Model	Shackle Clearance	American Lock®
9011	1"	1165
9012	1-1/2"	1166
9014	3"	1167
9015	4"	N/A
9031	1	3105
9032	1-1/2"	3106
9034	3"	3107
9035	4"	N/A

Custom Laser Engraving :

- Includes logos and characters (numbers, letters, symbols)
- The minimum order quantity for engraving is 48 locks.
- The current list price to engrave logos or characters is \$1.00 per area, per lock.
- Form required and includes complete details.



Part#	UPC Code	Color	Width	Shackle Clearance	Shackle Width	Keyed	Shelf Pack	MSRP
90111	021919901110	Silver	1-1/2"	1"	3/4"	KA	6	\$15.07
90112	021919901127	Red	1-1/2"	1"	3/4"	KA	6	\$15.07
90113	021919901134	Black	1-1/2"	1"	3/4"	KA	6	\$15.07
90114	021919901141	Blue	1-1/2"	1"	3/4"	KA	6	\$15.07
90115	021919901158	Green	1-1/2"	1"	3/4"	KA	6	\$15.07
90116	021919901165	Yellow	1-1/2"	1"	3/4"	KA	6	\$15.07
90117	021919901172	Orange	1-1/2"	1"	3/4"	KA	6	\$15.07
90118	021919901189	Brown	1-1/2"	1"	3/4"	KA	6	\$15.07
90119	021919901196	Purple	1-1/2"	1"	3/4"	KA	6	\$15.07
90211	021919902117	Silver	1-1/2"	1"	3/4"	KD	6	\$15.07
90212	021919902124	Red	1-1/2"	1"	3/4"	KD	6	\$15.07
90213	021919902131	Black	1-1/2"	1"	3/4"	KD	6	\$15.07
90214	021919902148	Blue	1-1/2"	1"	3/4"	KD	6	\$15.07
90215	021919902155	Green	1-1/2"	1"	3/4"	KD	6	\$15.07
90216	021919902162	Yellow	1-1/2"	1"	3/4"	KD	6	\$15.07
90217	021919902179	Orange	1-1/2"	1"	3/4"	KD	6	\$15.07
90218	021919902186	Brown	1-1/2"	1"	3/4"	KD	6	\$15.07
90219	021919902193	Purple	1-1/2"	1"	3/4"	KD	6	\$15.07
90121	021919901219	Silver	1-1/2"	1-1/2"	3/4"	KA	6	\$16.50
90122	021919901226	Red	1-1/2"	1-1/2"	3/4"	KA	6	\$16.50
90123	021919901233	Black	1-1/2"	1-1/2"	3/4"	KA	6	\$16.50
90124	021919901240	Blue	1-1/2"	1-1/2"	3/4"	KA	6	\$16.50
90125	021919901257	Green	1-1/2"	1-1/2"	3/4"	KA	6	\$16.50
90126	021919901264	Yellow	1-1/2"	1-1/2"	3/4"	KA	6	\$16.50
90127	021919901271	Orange	1-1/2"	1-1/2"	3/4"	KA	6	\$16.50
90128	021919901288	Brown	1-1/2"	1-1/2"	3/4"	KA	6	\$16.50
90129	021919901295	Purple	1-1/2"	1-1/2"	3/4"	KA	6	\$16.50
90221	021919902216	Silver	1-1/2"	1-1/2"	3/4"	KD	6	\$16.50
90222	021919902223	Red	1-1/2"	1-1/2"	3/4"	KD	6	\$16.50
90223	021919902230	Black	1-1/2"	1-1/2"	3/4"	KD	6	\$16.50
90224	021919902247	Blue	1-1/2"	1-1/2"	3/4"	KD	6	\$16.50
90225	021919902254	Green	1-1/2"	1-1/2"	3/4"	KD	6	\$16.50
90226	021919902261	Yellow	1-1/2"	1-1/2"	3/4"	KD	6	\$16.50
90227	021919902278	Orange	1-1/2"	1-1/2"	3/4"	KD	6	\$16.50
90228	021919902285	Brown	1-1/2"	1-1/2"	3/4"	KD	6	\$16.50
90229	021919902292	Purple	1-1/2"	1-1/2"	3/4"	KD	6	\$16.50
90141	021919901417	Silver	1-1/2"	3"	3/4"	KA	6	\$17.60
90142	021919901424	Red	1-1/2"	3"	3/4"	KA	6	\$17.60
90143	021919901431	Black	1-1/2"	3"	3/4"	KA	6	\$17.60
90144	021919901448	Blue	1-1/2"	3"	3/4"	KA	6	\$17.60
90145	021919901455	Green	1-1/2"	3"	3/4"	KA	6	\$17.60
90146	021919901462	Yellow	1-1/2"	3"	3/4"	KA	6	\$17.60
90147	021919901479	Orange	1-1/2"	3"	3/4"	KA	6	\$17.60
90148	021919901486	Brown	1-1/2"	3"	3/4"	KA	6	\$17.60
90149	021919901493	Purple	1-1/2"	3"	3/4"	KA	6	\$17.60
90241	021919902414	Silver	1-1/2"	3"	3/4"	KD	6	\$17.60
90242	021919902421	Red	1-1/2"	3"	3/4"	KD	6	\$17.60
90243	021919902438	Black	1-1/2"	3"	3/4"	KD	6	\$17.60
90244	021919902445	Blue	1-1/2"	3"	3/4"	KD	6	\$17.60
90245	021919902452	Green	1-1/2"	3"	3/4"	KD	6	\$17.60
90246	021919902469	Yellow	1-1/2"	3"	3/4"	KD	6	\$17.60
90247	021919902476	Orange	1-1/2"	3"	3/4"	KD	6	\$17.60
90248	021919902483	Brown	1-1/2"	3"	3/4"	KD	6	\$17.60
90249	021919902490	Purple	1-1/2"	3"	3/4"	KD	6	\$17.60
90151	021919901516	Silver	1-1/2"	4"	3/4"	KA	6	\$18.70

900 Series Aluminum Safety Lockout Padlocks, *continued*

Part#	UPC Code	Color	Width	Shackle Clearance	Shackle Width	Keyed	Shelf Pack	MSRP
90152	021919901523	Red	1-1/2"	4"	3/4"	KA	6	\$18.70
90153	021919901530	Black	1-1/2"	4"	3/4"	KA	6	\$18.70
90154	021919901547	Blue	1-1/2"	4"	3/4"	KA	6	\$18.70
90155	021919901554	Green	1-1/2"	4"	3/4"	KA	6	\$18.70
90156	021919901561	Yellow	1-1/2"	4"	3/4"	KA	6	\$18.70
90157	021919901578	Orange	1-1/2"	4"	3/4"	KA	6	\$18.70
90158	021919901585	Brown	1-1/2"	4"	3/4"	KA	6	\$18.70
90159	021919901592	Purple	1-1/2"	4"	3/4"	KA	6	\$18.70
90251	021919902513	Silver	1-1/2"	4"	3/4"	KD	6	\$18.70
90252	021919902520	Red	1-1/2"	4"	3/4"	KD	6	\$18.70
90253	021919902537	Black	1-1/2"	4"	3/4"	KD	6	\$18.70
90254	021919902544	Blue	1-1/2"	4"	3/4"	KD	6	\$18.70
90255	021919902551	Green	1-1/2"	4"	3/4"	KD	6	\$18.70
90256	021919902568	Yellow	1-1/2"	4"	3/4"	KD	6	\$18.70
90257	021919902575	Orange	1-1/2"	4"	3/4"	KD	6	\$18.70
90258	021919902582	Brown	1-1/2"	4"	3/4"	KD	6	\$18.70
90259	021919902599	Purple	1-1/2"	4"	3/4"	KD	6	\$18.70
90311	021919903114	Silver	1-1/2"	1"	3/4"	SFIC	6	\$15.07
90312	021919903121	Red	1-1/2"	1"	3/4"	SFIC	6	\$15.07
90313	021919903138	Black	1-1/2"	1"	3/4"	SFIC	6	\$15.07
90314	021919903145	Blue	1-1/2"	1"	3/4"	SFIC	6	\$15.07
90315	021919903152	Green	1-1/2"	1"	3/4"	SFIC	6	\$15.07
90316	021919903169	Yellow	1-1/2"	1"	3/4"	SFIC	6	\$15.07
90317	021919903176	Orange	1-1/2"	1"	3/4"	SFIC	6	\$15.07
90318	021919903183	Brown	1-1/2"	1"	3/4"	SFIC	6	\$15.07
90319	021919903190	Purple	1-1/2"	1"	3/4"	SFIC	6	\$15.07
90321	021919903213	Silver	1-1/2"	1-1/2"	3/4"	SFIC	6	\$16.50
90322	021919903220	Red	1-1/2"	1-1/2"	3/4"	SFIC	6	\$16.50
90323	021919903237	Black	1-1/2"	1-1/2"	3/4"	SFIC	6	\$16.50
90324	021919903244	Blue	1-1/2"	1-1/2"	3/4"	SFIC	6	\$16.50
90325	021919903251	Green	1-1/2"	1-1/2"	3/4"	SFIC	6	\$16.50
90326	021919903268	Yellow	1-1/2"	1-1/2"	3/4"	SFIC	6	\$16.50
90327	021919903275	Orange	1-1/2"	1-1/2"	3/4"	SFIC	6	\$16.50
90328	021919903282	Brown	1-1/2"	1-1/2"	3/4"	SFIC	6	\$16.50
90329	021919903299	Purple	1-1/2"	1-1/2"	3/4"	SFIC	6	\$16.50
90341	021919903411	Silver	1-1/2"	3"	3/4"	SFIC	6	\$17.60
90342	021919903428	Red	1-1/2"	3"	3/4"	SFIC	6	\$17.60
90343	021919903435	Black	1-1/2"	3"	3/4"	SFIC	6	\$17.60
90344	021919903442	Blue	1-1/2"	3"	3/4"	SFIC	6	\$17.60
90345	021919903459	Green	1-1/2"	3"	3/4"	SFIC	6	\$17.60
90346	021919903466	Yellow	1-1/2"	3"	3/4"	SFIC	6	\$17.60
90347	021919903473	Orange	1-1/2"	3"	3/4"	SFIC	6	\$17.60
90348	021919903480	Brown	1-1/2"	3"	3/4"	SFIC	6	\$17.60
90349	021919903497	Purple	1-1/2"	3"	3/4"	SFIC	6	\$17.60
90351	021919903510	Silver	1-1/2"	4"	3/4"	SFIC	6	\$18.70
90352	021919903527	Red	1-1/2"	4"	3/4"	SFIC	6	\$18.70
90353	021919903534	Black	1-1/2"	4"	3/4"	SFIC	6	\$18.70
90354	021919903541	Blue	1-1/2"	4"	3/4"	SFIC	6	\$18.70
90355	021919903558	Green	1-1/2"	4"	3/4"	SFIC	6	\$18.70
90356	021919903565	Yellow	1-1/2"	4"	3/4"	SFIC	6	\$18.70
90357	021919903572	Orange	1-1/2"	4"	3/4"	SFIC	6	\$18.70
90358	021919903589	Brown	1-1/2"	4"	3/4"	SFIC	6	\$18.70
90359	021919903596	Purple	1-1/2"	4"	3/4"	SFIC	6	\$18.70
99760	021919997601	Accessory Key Retainer for SFIC Models				SFIC	25	\$4.40
99900	021919999001	Accessory Key Retainer				25 shelf pack / 100 Master Carton		\$2.75



90116



90117



90114

Specifications:

- 1-1/2" Aluminum Body; 1/4" Diam Shackle
- 1-3/4" Aluminum Body; 5/16" Diam Shackle
- 2" Aluminum Body; 3/8" Diam Shackle
- Solid Anodized Aluminum Lock Body
- Quality Chrome Plated Hardened Steel Shackle
- Patented Quick-Change Shackle Design
- All KA and KD come Non Key Retaining
- Double Ball Bearing Locking Mechanism
- 4 shackle sizes; spare shackles ordered separately
- Nine Colors and engraving available
- Features American® Keyway 6 pin cylinder
- Product of Taiwan; designed in Wheeling, Illinois

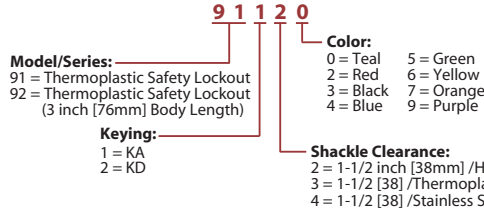
Best Used For:

- Maritime, Agriculture, Oil & Gas, Construction, Food Service

Add -45 for 45mm (1-3/4"); add \$2.50 per lock
 Add -50 for 50mm (2"); add \$4.00 per lock
i.e. 90113-45 would be \$16.20 MSRP

Commercial

910 & 920 Series Thermoplastic Safety Lockout Padlocks **NEW** Product Series



91120 91122



91124 91125



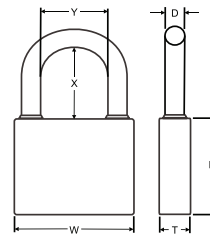
91126 91127 91129

- 1-1/2" (3.8cm) wide 1-3/4" (4.4cm) tall Thermoplastic black body, shackle w/1-1/2" (3.8cm) clearance
- Designed exclusively for Lockout/Tagout applications
- Durable, lightweight, non-conductive Thermoplastic lock body
- Customize on-site with permanent, write-on labels
- Compliance with OSHA: "one employee, one lock, one key directive"
- High security, reserved-for-safety cylinder
- Key retaining ensures that padlock is not left unlocked
- English, Spanish and French labels included
- Keyed different 6-pin tumbler cylinder
- Commercial boxed packaging, shelf pack qty 6, master carton qty 36

Part#	UPC Code	Color	Width	Shackle Clearance	Keyed	Shelf Pack	MSRP
91120	021919911201	Teal	1-1/2"	1- 1/2"	KA	6	\$15.62
91122	021919911225	Red	1-1/2"	1- 1/2"	KA	6	\$15.62
91123	021919911232	Black	1-1/2"	1- 1/2"	KA	6	\$15.62
91124	021919911249	Blue	1-1/2"	1- 1/2"	KA	6	\$15.62
91125	021919911256	Green	1-1/2"	1- 1/2"	KA	6	\$15.62
91126	021919911263	Yellow	1-1/2"	1- 1/2"	KA	6	\$15.62
91127	021919911270	Orange	1-1/2"	1- 1/2"	KA	6	\$15.62
91129	021919911294	Purple	1-1/2"	1- 1/2"	KA	6	\$15.62
91220	021919912208	Teal	1-1/2"	1- 1/2"	KD	6	\$15.62
91222	021919912222	Red	1-1/2"	1- 1/2"	KD	6	\$15.62
91223	021919912239	Black	1-1/2"	1- 1/2"	KD	6	\$15.62
91224	021919912246	Blue	1-1/2"	1- 1/2"	KD	6	\$15.62
91225	021919912253	Green	1-1/2"	1- 1/2"	KD	6	\$15.62
91226	021919912260	Yellow	1-1/2"	1- 1/2"	KD	6	\$15.62
91227	021919912277	Orange	1-1/2"	1- 1/2"	KD	6	\$15.62
91229	021919912291	Purple	1-1/2"	1- 1/2"	KD	6	\$15.62
92120	021919921200	Teal	1-1/2"	1- 1/2"	KA	6	\$16.45
92122	021919921224	Red	1-1/2"	1- 1/2"	KA	6	\$16.45
92123	021919921231	Black	1-1/2"	1- 1/2"	KA	6	\$16.45
92124	021919921248	Blue	1-1/2"	1- 1/2"	KA	6	\$16.45
92125	021919921255	Green	1-1/2"	1- 1/2"	KA	6	\$16.45
92126	021919921262	Yellow	1-1/2"	1- 1/2"	KA	6	\$16.45
92127	021919921279	Orange	1-1/2"	1- 1/2"	KA	6	\$16.45
92129	021919921293	Purple	1-1/2"	1- 1/2"	KA	6	\$16.45
92220	021919922207	Teal	1-1/2"	1- 1/2"	KD	6	\$16.45
92222	021919922221	Red	1-1/2"	1- 1/2"	KD	6	\$16.45
92223	021919922238	Black	1-1/2"	1- 1/2"	KD	6	\$16.45
92224	021919922245	Blue	1-1/2"	1- 1/2"	KD	6	\$16.45
92225	021919922252	Green	1-1/2"	1- 1/2"	KD	6	\$16.45

910 & 920 Series Thermoplastic Safety Lockout Padlocks, *continued*

Part#	UPC Code	Color	Width	Shackle Clearance	Keyed	Shelf Pack	MSRP
92226	021919922269	Yellow	1-1/2"	1- 1/2"	KD	6	\$16.45
92227	021919922276	Orange	1-1/2"	1- 1/2"	KD	6	\$16.45
92229	021919922290	Purple	1-1/2"	1- 1/2"	KD	6	\$16.45
92130	021919921309	Teal	1-1/2"	1- 1/2"	KA	6	\$16.45
92132	021920921329	Red	1-1/2"	1- 1/2"	KA	6	\$16.45
92133	021921921335	Black	1-1/2"	1- 1/2"	KA	6	\$16.45
92134	021922921341	Blue	1-1/2"	1- 1/2"	KA	6	\$16.45
92135	021923921357	Green	1-1/2"	1- 1/2"	KA	6	\$16.45
92136	021924921363	Yellow	1-1/2"	1- 1/2"	KA	6	\$16.45
92137	021925921379	Orange	1-1/2"	1- 1/2"	KA	6	\$16.45
92139	021926921392	Purple	1-1/2"	1- 1/2"	KA	6	\$16.45
92230	021927922305	Teal	1-1/2"	1- 1/2"	KD	6	\$16.45
92232	021928922328	Red	1-1/2"	1- 1/2"	KD	6	\$16.45
92233	021929922334	Black	1-1/2"	1- 1/2"	KD	6	\$16.45
92234	021930922347	Blue	1-1/2"	1- 1/2"	KD	6	\$16.45
92235	021931922353	Green	1-1/2"	1- 1/2"	KD	6	\$16.45
92236	021932922369	Yellow	1-1/2"	1- 1/2"	KD	6	\$16.45
92237	021933922375	Orange	1-1/2"	1- 1/2"	KD	6	\$16.45
92239	021934922398	Purple	1-1/2"	1- 1/2"	KD	6	\$16.45



DIMENSION (inch/mm)					
Lock Body			Shackle		
W	H	T	D	X	Y
1 1/2"	3/4"	1-3/4"	1/4"	1-1/2"	3/4"
38	19	44	6.35	38	19

Safety Lockout Hasp

Part#	UPC Code	Width	Height	D	X	Package	Shelf Pack	Master Carton	MSRP
CCL90	21919000776	1" [25mm]	4-1/2" [114mm]	3/8" [9mm]	5/32" [4mm]	Box	12	72	\$6.25
CCL902	021919000783	1-1/2" [38mm]	5-1/16" [129mm]	3/8" [9mm]	5/32" [4mm]	Box	12	72	\$6.46

- Steel Lock Out Hasp
- Round design of hasp prevents engagement
- Lockout by multiple workers at each lockout point
- Keeps equipment inoperative while repairs or adjustments are made
- Control cannot be turned on until last worker's padlock is removed from hasp
- Attach device to energy disconnect switch
- Hold up to 6 locks of 3/8" Shackle Diameter



Commercial

560 Series 1-3/4" LFIC Schlage® **NEW** Product Series Interchangeable Core Padlocks w/o Core



56012 front



56012 back



56012



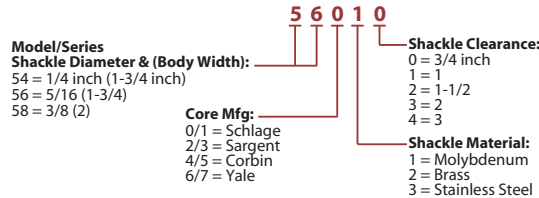
56110



Accepts Schlage® #23-030 series large format interchangeable core cylinders

560 Series 1-3/4" LFIC Schlage® Brass Interchangeable Core Padlocks w/o Core

- Brass body or chrome plated brass padlock available in 1-3/4"
- Sesamee® 560 Series padlock is supplied without cylinder and accepts Schlage® #23-030 series cylinder
- Bumper for protection
- Double ball bearing locking feature provides superior pull and pry resistance
- Brass, Molybdenum, Stainless Steel shackle for ultimate strength against shackle cutting
- All products come non-key retaining
- Product of Taiwan; designed in Wheeling, Illinois



Part#	UPC Code	Shackle Clearance	Shackle Diameter	Body Width	Shackle Material	Shelf Pack	Master Carton	MSRP
-------	----------	-------------------	------------------	------------	------------------	------------	---------------	------

560 Series 1-3/4" LFIC Schlage® Brass Interchangeable Core Padlocks w/o Core

56010	021919560102	3/4"	5/16"	1-3/4"	Moly	6	30	\$30.80
56011	021919560119	1"	5/16"	1-3/4"	Moly	6	30	\$31.90
56012	021919560126	1-1/2"	5/16"	1-3/4"	Moly	6	30	\$33.00
56013	021919560133	2"	5/16"	1-3/4"	Moly	6	30	\$34.10
56014	021919560140	3"	5/16"	1-3/4"	Moly	6	30	\$35.20
56020	021919560501	3/4"	5/16"	1-3/4"	Brass	6	30	\$33.00
56021	021919560218	1"	5/16"	1-3/4"	Brass	6	30	\$34.10
56022	021919560225	1-1/2"	5/16"	1-3/4"	Brass	6	30	\$35.20
56023	021919560232	2"	5/16"	1-3/4"	Brass	6	30	\$36.30
56024	021919560249	3"	5/16"	1-3/4"	Brass	6	30	\$37.40
56030	021919560300	3/4"	5/16"	1-3/4"	SS	6	30	\$33.00
56031	021919560317	1"	5/16"	1-3/4"	SS	6	30	\$34.10
56032	021919560324	1-1/2"	5/16"	1-3/4"	SS	6	30	\$35.20
56033	021919560331	2"	5/16"	1-3/4"	SS	6	30	\$36.30
56034	021919560348	3"	5/16"	1-3/4"	SS	6	30	\$37.40

561 Series 1-3/4" LFIC Schlage® Chrome Plated Brass Interchangeable Core Padlocks w/o Core

56110	021919561109	3/4"	5/16"	1-3/4"	Moly	6	30	\$30.80
56111	021919561116	1"	5/16"	1-3/4"	Moly	6	30	\$31.90
56112	021919561123	1-1/2"	5/16"	1-3/4"	Moly	6	30	\$33.00
56113	021919561130	2"	5/16"	1-3/4"	Moly	6	30	\$34.10
56114	021919561147	3"	5/16"	1-3/4"	Moly	6	30	\$35.20

580 Series 2" LFIC Schlage® Brass Interchangeable Core Padlocks w/o Core

58010	021919580100	3/4"	3/8"	2" [50mm]	Moly	6	30	\$37.40
58011	021919580117	1"	3/8"	2" [50mm]	Moly	6	30	\$37.40
58012	021919580124	1-1/2"	3/8"	2" [50mm]	Moly	6	30	\$37.40
58013	021919580131	2"	3/8"	2" [50mm]	Moly	6	30	\$37.40
58014	021919580148	3"	3/8"	2" [50mm]	Moly	6	30	\$39.60

Accessories

99560	021919995607	Key Retainer				25	100	\$4.40
-------	--------------	--------------	--	--	--	----	-----	--------

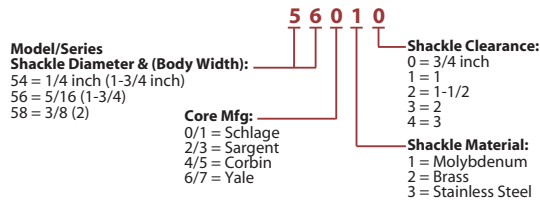
Call for Availability for the 540 series with 1/4" diameter shackle price is same as 560 series above.

SS = Stainless Steel Moly = Molybdenum

562 Series 1-3/4" LFIC Sargent® **>>> NEW** Product Series Interchangeable Core Padlocks w/o Core

562 Series 1-3/4" LFIC Sargent® Brass Interchangeable Core Padlocks w/o Core

- Brass Body or Chrome Plated Brass Padlock available in 1-3/4"
- Sesamee® 562 Series Padlock is supplied without cylinder and accepts Sargent® #6300 series interchangeable core cylinders
- Bumper For Protection
- Double ball locking feature provides added strength to resist pulling and prying
- Brass, Molybdenum, Stainless Steel shackle materials for weather resistance and added security
- All products come Non Key Retaining
- Product of Taiwan; designed in Wheeling, Illinois



Part#	UPC Code	Shackle Clearance	Shackle Diameter	Body Width	Shackle Material	Shelf Pack	Master Carton	MSRP
562 Series 1-3/4" LFIC Sargent® Brass Interchangeable Core Padlocks w/o Core								
56210	021919562106	3/4"	5/16"	1-3/4"	Moly	6	30	\$30.80
56211	021919562113	1"	5/16"	1-3/4"	Moly	6	30	\$31.90
56212	021919562120	1-1/2"	5/16"	1-3/4"	Moly	6	30	\$33.00
56213	021919562137	2"	5/16"	1-3/4"	Moly	6	30	\$34.10
56214	021919562144	3"	5/16"	1-3/4"	Moly	6	30	\$35.20
56220	021919562205	3/4"	5/16"	1-3/4"	Brass	6	30	\$33.00
56221	021919562212	1"	5/16"	1-3/4"	Brass	6	30	\$34.10
56222	021919562229	1-1/2"	5/16"	1-3/4"	Brass	6	30	\$35.20
56223	021919562236	2"	5/16"	1-3/4"	Brass	6	30	\$36.30
56224	021919562243	3"	5/16"	1-3/4"	Brass	6	30	\$37.40
56230	021919562304	3/4"	5/16"	1-3/4"	SS	6	30	\$33.00
56231	021919562311	1"	5/16"	1-3/4"	SS	6	30	\$34.10
56232	021919562328	1-1/2"	5/16"	1-3/4"	SS	6	30	\$35.20
56233	021919562335	2"	5/16"	1-3/4"	SS	6	30	\$36.30
56234	021919562342	3"	5/16"	1-3/4"	SS	6	30	\$37.40
563 Series 1-3/4" LFIC Sargent® Chrome Plated Brass Interchangeable Core Padlocks w/o Core								
56310	021919563103	3/4"	5/16"	1-3/4"	Moly	6	30	\$30.80
56311	021919563110	1"	5/16"	1-3/4"	Moly	6	30	\$31.90
56312	021919563127	1-1/2"	5/16"	1-3/4"	Moly	6	30	\$33.00
56313	021919563134	2"	5/16"	1-3/4"	Moly	6	30	\$34.10
56314	021919563141	3"	5/16"	1-3/4"	Moly	6	30	\$35.20
582 Series 2" LFIC Sargent® Brass Interchangeable Core Padlocks w/o Core								
58210	021919582104	3/4"	3/8"	2" [50mm]	Moly	6	30	\$35.20
58211	021919582111	1"	3/8"	2" [50mm]	Moly	6	30	\$36.30
58212	021919582128	1-1/2"	3/8"	2" [50mm]	Moly	6	30	\$37.40
58213	021919582135	2"	3/8"	2" [50mm]	Moly	6	30	\$38.50
58214	021919582142	3"	3/8"	2" [50mm]	Moly	6	30	\$39.60

Accessories

99560	021919995607	Key Retainer				25	100	\$4.40
-------	--------------	--------------	--	--	--	----	-----	--------



56212 front



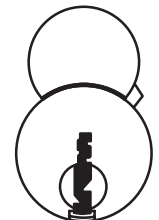
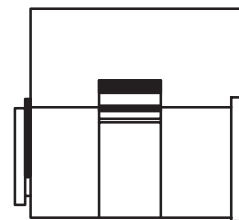
56212 back



56212



56210



Accepts Sargent® #6300 series Interchangeable core cylinders

Call for Availability for the 542 series with 1/4" diameter shackle price is same as above.

SS = Stainless Steel Moly = Molybdenum

Commercial

564 Series 1-3/4" LFIC Corbin® **NEW** Product Series Interchangeable Core Padlocks w/o Core



56412 front



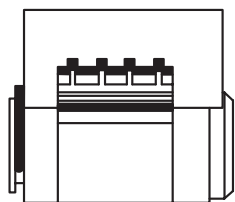
56412 back



56012



56510



Accepts Corbin® #8000 series Interchangeable core cylinders

Call for Availability for the 544 series with 1/4" diameter shackle price is same as above.

564 Series 1-3/4" LFIC Corbin® Brass Interchangeable Core Padlocks w/o Core

- Brass Body or Chrome Plated Brass Padlock available in 1-3/4"
- Sesamee® 564 Series Padlock is supplied without cylinder and accepts Corbin® #8000 series interchangeable core cylinders
- Bumper For Protection
- Double ball locking feature provides added strength to resist pulling and prying
- Brass, Molybdenum, Stainless Steel shackle materials for weather resistance and added security
- All products come Non Key Retaining
- Product of Taiwan; designed in Wheeling, Illinois

Model/Series

Shackle Diameter & (Body Width):

54 = 1/4 inch (1-3/4 inch)

56 = 5/16 (1-3/4)

58 = 3/8 (2)

Core Mfg:

0/1 = Schlage

2/3 = Sargent

4/5 = Corbin

6/7 = Yale

Shackle Clearance:

0 = 3/4 inch

1 = 1

2 = 1-1/2

3 = 2

4 = 3

Shackle Material:

1 = Molybdenum

2 = Brass

3 = Stainless Steel

Part#	UPC Code	Shackle Clearance	Shackle Diameter	Body Width	Shackle Material	Shelf Pack	Master Carton	MSRP
-------	----------	-------------------	------------------	------------	------------------	------------	---------------	------

564 Series 1-3/4" LFIC Corbin® Brass Interchangeable Core Padlocks w/o Core

56410	021919564100	3/4"	5/16"	1-3/4"	Moly	6	30	\$30.80
56411	021919564117	1"	5/16"	1-3/4"	Moly	6	30	\$31.90
56412	021919564124	1-1/2"	5/16"	1-3/4"	Moly	6	30	\$33.00
56413	021919564131	2"	5/16"	1-3/4"	Moly	6	30	\$34.10
56414	021919564148	3"	5/16"	1-3/4"	Moly	6	30	\$35.20
56420	021919564209	3/4"	5/16"	1-3/4"	Brass	6	30	\$33.00
56421	021919564216	1"	5/16"	1-3/4"	Brass	6	30	\$34.10
56422	021919564223	1-1/2"	5/16"	1-3/4"	Brass	6	30	\$35.20
56423	021919564230	2"	5/16"	1-3/4"	Brass	6	30	\$36.30
56424	021919564247	3"	5/16"	1-3/4"	Brass	6	30	\$37.40
56430	021919564308	3/4"	5/16"	1-3/4"	SS	6	30	\$33.00
56431	021919564315	1"	5/16"	1-3/4"	SS	6	30	\$34.10
56432	021919564322	1-1/2"	5/16"	1-3/4"	SS	6	30	\$35.20
56433	021919564339	2"	5/16"	1-3/4"	SS	6	30	\$36.30
56434	021919564346	3"	5/16"	1-3/4"	SS	6	30	\$37.40

565 Series 1-3/4" LFIC Corbin® Chrome Plated Brass Interchangeable Core Padlocks w/o Core

56510	021919565107	3/4"	5/16"	1-3/4"	Moly	6	30	\$30.80
56511	021919565114	1"	5/16"	1-3/4"	Moly	6	30	\$31.90
56512	021919565121	1-1/2"	5/16"	1-3/4"	Moly	6	30	\$33.00
56513	021919565138	2"	5/16"	1-3/4"	Moly	6	30	\$34.10
56514	021919565145	3"	5/16"	1-3/4"	Moly	6	30	\$35.20

584 Series 2" LFIC Corbin® Brass Interchangeable Core Padlocks w/o Core

58410	021919584108	3/4"	3/8"	2" [50mm]	Moly	6	30	\$35.20
58411	021919584115	1"	3/8"	2" [50mm]	Moly	6	30	\$36.30
58412	021919584122	1-1/2"	3/8"	2" [50mm]	Moly	6	30	\$37.40
58413	021919584139	2"	3/8"	2" [50mm]	Moly	6	30	\$38.50
58414	021919584146	3"	3/8"	2" [50mm]	Moly	6	30	\$39.60

Accessories

99560	021919995607	Key Retainer				25	100	\$4.40
-------	--------------	--------------	--	--	--	----	-----	--------

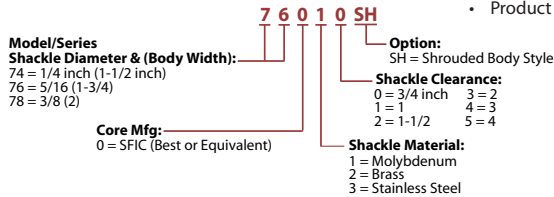
SS = Stainless Steel

Moly = Molybdenum

760 Series 1-3/4" SFIC Interchangeable Core Padlocks w/o Core

760 1-3/4" SFIC Brass Interchangeable Core Padlocks

- Brass Body Padlock Without Keyed Core
- Works With Small Format IC Such As Arrow/Best/Falcon
- Bumper For Protection
- 1-3/4" Body and 5 Shackle Sizes Available
- All products come Non Key Retaining
- Quality solid brass and stainless steel construction to prevent rusting and extend the life of the padlock
- Double ball locking feature provides added strength to resist pulling and prying
- Brass, Molybdenum, Stainless Steel shackle materials for weather resistance and added security
- Product of Taiwan; designed in Wheeling, Illinois



For Best style interchangeable core cylinders

New Pricing

Part#	UPC Code	Shackle Clearance	Shackle Diameter	Body Width	Shackle Material	Shelf Pack	Master Carton	MSRP
760 Series 1-3/4" SFIC Brass Interchangeable Core Padlocks								
76010	021919760106	3/4"	5/16"	1-3/4"	Moly	6	30	\$25.85
76011	021919760113	1"	5/16"	1-3/4"	Moly	6	30	\$26.40
76011SH	021919003760	1"	5/16"	1-3/4"	Moly	6	30	\$48.40
76012	021919760120	1-1/2"	5/16"	1-3/4"	Moly	6	30	\$26.95
76013	021919760137	2"	5/16"	1-3/4"	Moly	6	30	\$27.50
76014	021919760144	3"	5/16"	1-3/4"	Moly	6	30	\$28.05
76015	021919760151	4"	5/16"	1-3/4"	Moly	6	30	\$28.60
76020	021919760205	3/4"	5/16"	1-3/4"	Brass	6	30	\$27.50
76021	021919760212	1"	5/16"	1-3/4"	Brass	6	30	\$28.05
76022	021919760229	1-1/2"	5/16"	1-3/4"	Brass	6	30	\$28.60
76023	021919760236	2"	5/16"	1-3/4"	Brass	6	30	\$29.15
76024	021919760243	3"	5/16"	1-3/4"	Brass	6	30	\$29.70
76030	021919760304	3/4"	5/16"	1-3/4"	SS	6	30	\$27.50
76031	021919760311	1"	5/16"	1-3/4"	SS	6	30	\$28.05
76032	021919760328	1-1/2"	5/16"	1-3/4"	SS	6	30	\$28.60
76033	021919760335	2"	5/16"	1-3/4"	SS	6	30	\$29.15
76034	021919760342	3"	5/16"	1-3/4"	SS	6	30	\$29.70
760 Series 1-3/4" SFIC Chrome Plated Brass Interchangeable Core Padlocks w/o Core								
76110	021919761103	3/4"	5/16"	1-3/4"	Moly	6	30	\$25.85
76111	021919761110	1"	5/16"	1-3/4"	Moly	6	30	\$26.40
76112	021919761127	1-1/2"	5/16"	1-3/4"	Moly	6	30	\$26.95
76113	021919761134	2"	5/16"	1-3/4"	Moly	6	30	\$27.50
76114	021919761141	3"	5/16"	1-3/4"	Moly	6	30	\$28.05
780 Series 2" SFIC Brass Interchangeable Core Padlocks w/o Core								
78010	021919780104	3/4"	3/8"	2"	Moly	6	30	\$29.15
78011	021919780111	1"	3/8"	2"	Moly	6	30	\$29.70
78011SH	021919003777	1"	3/8"	2"	Moly	6	30	\$52.80
78012	021919780128	1-1/2"	3/8"	2"	Moly	6	30	\$30.25
78013	021919780135	2"	3/8"	2"	Moly	6	30	\$30.80
78014	021919780142	3"	3/8"	2"	Moly	6	30	\$31.35
78015	021919780159	4"	3/8"	2"	Moly	6	30	\$31.90

Accessories

99760	021919997601	Key Retainer				25	100	\$4.40
-------	--------------	--------------	--	--	--	----	-----	--------



Call for Pricing and Availability for the 740 series with 1/4" shackle diameter. 760 are supplied with 5/16" diameter shackle.

Commercial

860 Series 1-3/4" KIK **NEW** Product Series Conventional Key-in-Knob w/o Core



86012 front



86012 back



86012



860110

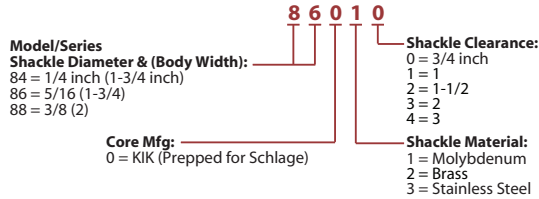


860ACCPK

- Brass Body or Chrome Plated Brass Padlock available in 1-3/4"
- Sesamee® 860 Series Padlock accepts all standard Schlage® Conventional (Classic/ Everest/Everest 29) and Primus(Classic/Everest/ Everest 29) cylinders; includes cylinder bible
- Double ball locking feature provides added strength to resist pulling and prying
- Bumper For Protection
- Brass, Molybdenum, Stainless Steel shackle materials for weather resistance and added security
- Includes cylinder adaptor kit
- All products come Non Key Retaining
- Product of Taiwan; designed in Wheeling, Illinois

880 are supplied with 3/8" shackle diameter.
860 are supplied with 5/16" diameter shackle.

See page 80 for 560 | 760 | 860 Replacement Shackles



Part#	UPC Code	Shackle Clearance	Shackle Diameter	Body Width	Shackle Material	Shelf Pack	Master Carton	MSRP
860 Series 1-3/4" KIK Brass Conventional Key-in-Knob w/o Core								
86010	021919860103	3/4"	5/16"	1-3/4"	Moly	6	30	\$35.20
86011	021919860110	1"	5/16"	1-3/4"	Moly	6	30	\$36.30
86012	021919860127	1-1/2"	5/16"	1-3/4"	Moly	6	30	\$37.40
86013	021919860134	2"	5/16"	1-3/4"	Moly	6	30	\$38.50
86014	021919860141	3"	5/16"	1-3/4"	Moly	6	30	\$39.60
86020	021919860202	3/4"	5/16"	1-3/4"	Brass	6	30	\$36.30
86021	021919860219	1"	5/16"	1-3/4"	Brass	6	30	\$37.40
86022	021919860226	1-1/2"	5/16"	1-3/4"	Brass	6	30	\$38.50
86023	021919860233	2"	5/16"	1-3/4"	Brass	6	30	\$39.60
86024	021919860240	3"	5/16"	1-3/4"	Brass	6	30	\$40.70
86030	021919860301	3/4"	5/16"	1-3/4"	SS	6	30	\$36.30
86031	021919860318	1"	5/16"	1-3/4"	SS	6	30	\$37.40
86032	021919860315	1-1/2"	5/16"	1-3/4"	SS	6	30	\$38.50
86033	021919860332	2"	5/16"	1-3/4"	SS	6	30	\$39.60
86034	021919860349	3"	5/16"	1-3/4"	SS	6	30	\$40.70
860 Series 1-3/4" KIK Chrome Plated Brass Conventional Key-in-Knob w/o Core								
86110	021919861100	3/4"	5/16"	1-3/4"	Moly	6	30	\$35.20
86111	021919861117	1"	5/16"	1-3/4"	Moly	6	30	\$36.30
86112	021919861124	1-1/2"	5/16"	1-3/4"	Moly	6	30	\$37.40
86113	021919861131	2"	5/16"	1-3/4"	Moly	6	30	\$38.50
86114	021919861148	3"	5/16"	1-3/4"	Moly	6	30	\$39.60
840 Series 1-3/4" KIK Brass Conventional Key-in-Knob w/o Core								
84010	021919840105	3/4"	1/4"	1-3/4"	Moly	6	30	\$35.75
84011	021919840112	1"	1/4"	1-3/4"	Moly	6	30	\$36.30
84012	021919840129	1-1/2"	1/4"	1-3/4"	Moly	6	30	\$37.95
84013	021919840136	2"	1/4"	1-3/4"	Moly	6	30	\$39.05
84014	021919840143	3"	1/4"	1-3/4"	Moly	6	30	\$40.15
880 Series 2" KIK Brass Padlock w/o Core								
88010	021919880101	3/4"	3/8"	2"	Moly	6	30	\$40.15
88011	021919880118	1"	3/8"	2"	Moly	6	30	\$40.70
88012	021919880125	1-1/2"	3/8"	2"	Moly	6	30	\$42.35
88013	021919880132	2"	3/8"	2"	Moly	6	30	\$43.45
88014	021919880149	3"	3/8"	2"	Moly	6	30	\$44.55
88015	021919880156	4"	3/8"	2"	Moly	6	30	\$45.65
Accessories								
99860	021919998608	Key Retainer				25	100	\$4.40
860ACCPK	021919999018	860 Series Accessories Pack				25	100	\$13.20

960 Storage Security Padlocks >>> NEW Product Series

Dial and Pushbutton Combination

Part#	UPC Code	Shackle Clearance	Body Width	Type	Shelf Pack	Master Carton	MSRP
-------	----------	-------------------	------------	------	------------	---------------	------

Stock Items:

96006	021919960063	wall mount	3-1/4"	permanent	10	20	\$42.00
96007	021919960070	1-13/32"	3-1/4"	over the door	10	20	\$44.10
96008	021919960087	wall mount	3-1/4"	permanent	10	20	\$34.65
96009	021919960094	1-13/32"	3-1/4"	over the door	10	20	\$37.80

Select who can access your property:

- Children after school
- Pool maintenance, cleaning and repair service
- Elder care
- House & pet sitter

Best Used for:

- Primary home, timeshare and vacation properties
- Storage shed
- Recreation Vehicles: Bicycle, ATV, boat, motorbike

Sesamee® 96006 smart design is compact while providing a best in class large storage compartment with the ability to hold up to 20 keys or 8 key cards.

The 96006 has a 10-push button resettable mechanism that allows the user to change the PIN code within seconds and includes wall mounting hardware.

- Large solid metal housing offers more capacity than conventional key safes
- Large hinged front door for maximum convenience
- 10 push-button resettable combination
- Includes wall mounting hardware
- Holds up to 8 cards or 20 keys

Sesamee® 96007 smart design is compact while providing a best in class large storage compartment with the ability to hold up to 20 keys or 8 key cards. The 96007 has a 10-push button resettable mechanism that allows the user to change the PIN code within seconds and comes with a detachable shackle for locking to door knobs, handrails, etc. The 96007 also has a rubber coated back to protect delicate surfaces from unwanted abrasions.

- Large solid metal housing offers more capacity than conventional key safes
- Comes with a rubber coated detachable shackle for fixing to door knobs, rails, etc.
- Large hinged front door for maximum convenience
- 10 push-button resettable combination
- Shackle for fixing to door knobs, rails, etc.
- Holds up to 8 cards or 20 keys

Sesamee® 96008 | 96009

- Holds over 5 door or car keys
- Portable, over the door knob mount for convenience
- Set your own 4-digit combination for keyless convenience
- 3-1/4" (83mm) wide durable metal construction
- Shutter door protects combination dials from weather, dirt and grime
- Molded body and vinyl coated shackle prevent scratching
- Product of Taiwan; designed in Wheeling, Illinois



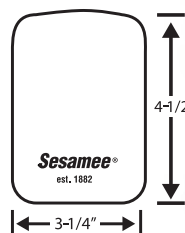
96006 with wall mount



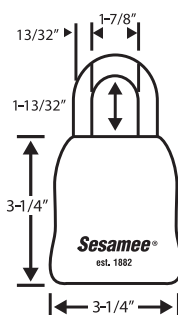
96007 with Shackle



96008 Wall Mount



96009 with Shackle



NEW! Coming in 2016



DIY

600 Series Padlocks Premium Pin Tumbler Solid Brass

» **NEW** Product Series featuring **CR Keyway**

New Pricing



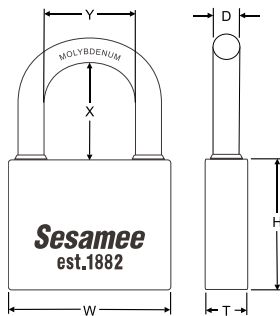
602



604



605



NO. 8618C

Part#	UPC Code	Shackle Clearance	Shackle Material	Keyed	Body Width	# of Pins	Shelf Pack	MSRP
-------	----------	-------------------	------------------	-------	------------	-----------	------------	------

Stock Items:

60201	021919602017	3/8" [10mm]	Moly	KA1-P812	13/16" [20mm]	4	12	\$4.40
60202	021919602024	3/8" [10mm]	Brass	KA1-P812	13/16" [20mm]	4	12	\$4.40
60203	021919602031	3/8" [10mm]	Brass	KD	13/16" [20mm]	4	12	\$4.40
60204	021919602048	3/8" [10mm]	Moly	KD	13/16" [20mm]	4	12	\$4.40
60301	021919603014	5/8" [16mm]	Moly	KA1-P812	1-3/16" [30mm]	4	12	\$8.80
60302	021919603021	5/8" [16mm]	Brass	KA1-P812	1-3/16" [30mm]	4	12	\$8.80
60303	021919603038	5/8" [16mm]	Brass	KD	1-3/16" [30mm]	4	12	\$8.80
60304	021919603045	5/8" [16mm]	Moly	KD	1-3/16" [30mm]	4	12	\$8.80
60401	021919604011	7/8" [22mm]	Moly	KA1-CR62573	1-9/16" [40mm]	5	6	\$10.45
60402	021919604028	7/8" [22mm]	Brass	KA1-CR62573	1-9/16" [40mm]	5	6	\$10.45
60403	021919604035	7/8" [22mm]	Brass	KD	1-9/16" [40mm]	5	6	\$10.45
60404	021919604042	7/8" [22mm]	Moly	KD	1-9/16" [40mm]	5	6	\$10.45
60405	021919604059	2-1/4" [57mm]	Moly	KA1-CR62573	1-9/16" [40mm]	5	6	\$11.00
60406	021919604066	2-1/4" [57mm]	Brass	KA1-CR62573	1-9/16" [40mm]	5	6	\$11.00
60407	021919604073	2-1/4" [57mm]	Brass	KD	1-9/16" [40mm]	5	6	\$11.00
60408	021919604080	2-1/4" [57mm]	Moly	KD	1-9/16" [40mm]	5	6	\$11.00
60501	021919605018	1-3/16" [30mm]	Moly	KA1-CR62573	2" [50mm]	5	6	\$15.40
60502	021919605025	1-3/16" [30mm]	Brass	KA1-CR62573	2" [50mm]	5	6	\$15.40
60503	021919605032	1-3/16" [30mm]	Brass	KD	2" [50mm]	5	6	\$15.40
60504	021919605049	1-3/16" [30mm]	Moly	KD	2" [50mm]	5	6	\$15.40
60505	021919605056	2-1/4" [57mm]	Moly	KA1-CR62573	2" [50mm]	5	6	\$16.50
60506	021919605063	2-1/4" [57mm]	Brass	KA1-CR62573	2" [50mm]	5	6	\$16.50
60507	021919605070	2-1/4" [57mm]	Brass	KD	2" [50mm]	5	6	\$16.50
60508	021919605087	2-1/4" [57mm]	Moly	KD	2" [50mm]	5	6	\$16.50

- **Lock body:** solid brass – 20, 30, 40, 50 mm
- **Shackle Material:** Moly or brass
- **Locking mechanism:** bolt style, single or double locking available subject to size / style
- **Tumbler:** 4 or 5 pin
- 2 brass nickel plated brass keys provided
- KD or KA available
- 604/605 can be keyed to #2 and 1103 keycodes
- Product of Taiwan; designed in Wheeling, IL

Part#	DIMENSION (mm)					
	Lock Body			Shackle		
	W	H	T	D	X	Y
60201/02/03/04	20	20	10	3.7	10	10
60301/02/03/05	30	27	11	4.8	16	15
60401/02/03/05	40	33	13	6.35	22	22
60501/02/03/05	50	40	14	7.93	30	28
60405/06/07/08	40	33	13	6.35	57	22
60505/06/07/08	50	40	14	7.93	57	28

Key Section	Key Blank	Series	MFG PT #
	8618C-CR (5 Pin)	604 & 605	00651
	(Ilco Keyblank 1092B)	602 & 603	

- Keyway for 602xx and 603xx is W7 cylinder, M2 Keyway, (Ilco Keyblank 1092B)
- Keyway for 604xx and 605xx is CR
- Key Blank NO. S8690-CR will work for matching with Enclosure Lock Applications

904 Padlocks Pin Tumbler Solid Brass

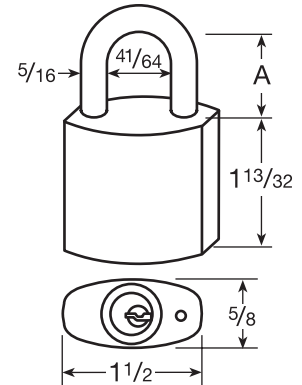
Part#	UPC Code	(A) Shackle Clearance	Shackle Material	Keyed	Body Width	# of Pins	MFG PT #	Shelf Pack	MSRP
Stock Items:									
904	021919001384	3/4"	Hardened Steel, Chrome Plated	KD	1-1/2"	5/6	02111	10	\$43.89
904	021919021115	3/4"	Hardened Steel, Chrome Plated	KA BAZ163	1-1/2"	5/6	00138	10	\$43.89
Made-To-Order Items:									
904		3/4"	Hardened Steel		1-1/2"	5/6			\$46.20
0904-CR		3/4"	Brass	CR	1-1/2"	5/6	0904505		\$46.20
0904-R1		3/4"	Brass	R1	1-1/2"	5/6	0904519		\$46.20
0904-R4		3/4"	Brass	R4	1-1/2"	5/6	0904522		\$46.20
0904		3/4"	Brass		1-1/2"	5/6			\$46.20
0904S-CR		1-1/4"	Brass	CR	1-1/2"	5/6	09045505		\$48.51
0904S-R1		1-1/4"	Brass	R1	1-1/2"	5/6	09045519		\$48.51
0904S-R4		1-1/4"	Brass	R4	1-1/2"	5/6	09045522		\$48.51
0904S-R4-Chain		1-1/4"	Brass	R4	1-1/2"	5/6	09045C522		\$52.91
0904S		1-1/4"	Brass		1-1/2"	5/6			\$48.51
904H-CR		2-1/2"	Hardened Steel		1-1/2"	5/6	904H505		\$49.67
904H-R1		2-1/2"	Hardened Steel		1-1/2"	5/6	904H519		\$49.67
904H-R4		2-1/2"	Hardened Steel		1-1/2"	5/6	904H522		\$49.67
904H		2-1/2"	Hardened Steel		1-1/2"	5/6			\$49.67
2217N		Zinc Plated Chain					422L838144		\$4.34
02217N		Brass Dipped Chain					422L832144		\$4.81
		Master Keying Charge							\$4.62

- **Keyways Available:** CR, R1, R4, VR
- **Number of Pin Tumblers:** 5 or 6
- **Regular Key Changes:** All different
- **Master Keying:** Available when specified on order
- **Special Stamping:** Available with case stamped to customer requirements when specified on order (\$3.15)
- Can be keyed to #2 and 1103 keycodes

- **Chain:**
 - 904 Series: Available with 9" chain
 - Steel shackle with 2217N chain assembly
 - Brass shackle with 02217N chain assembly
 - Specify on order using suffix "C" (e.g., 904C)
- Unassembled padlocks available in this series
- **Keyblank:** 8618C
- Product of USA

9-inch Chain Assemblies for CCL Padlocks

Number	Used with Padlock Series	Material	For Shackle Diameter	Weight per pack of 10 (lbs./oz.)
2217N	904, 436, 437, 500, 95, 66	Steel, zinc plated	0.312	0/8
02217N	0904, 0436, 0437	Brass, dipped	0.312	0/8
2223N	906	Steel, zinc plated	0.375	0/10
02223N	0906	Brass, dipped	0.375	0/10



> Raw Materials



DIY

4-Dial Resettable Brass Body with Brass Internal Parts



Part#	UPC Code	Shackle Clearance	# of Dials	Body Width	Finish	Packaging	Shelf Pack	Master Pack	MSRP
-------	----------	-------------------	------------	------------	--------	-----------	------------	-------------	------

Stock Items:

K436	021919001131	1"	4 Dial	2"	Brass	Trapped Blister	6	36	\$25.85
436	021919004361	1"	4 Dial	2"	Brass	Boxed	6	36	\$24.75
K437	021919001162	2-1/4"	4 Dial	2"	Brass	Trapped Blister	6	36	\$27.50
437	021919004378	2-1/4"	4 Dial	2"	Brass	Boxed	6	36	\$26.40
K0436	021919001148	1"	4 Dial	2"	Brass	Carded	5	50	\$27.50
K0437	021919027438	2-1/4"	4 Dial	2"	Brass	Carded	5	50	\$28.05
KCR0436	021919001155	1"	4 Dial	2"	Chrome	Carded	5	50	\$28.60
K440	021919004408	4"	4 Dial	2"	Brass	Carded	5	50	\$30.80

Change Pin Regular Sesamee® **576F0180002G**

\$1.21

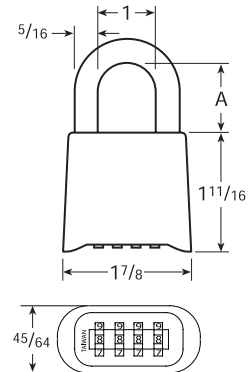
- Set-your-own 4-digit combination for convenience and security
- 10,000 possible combinations which can be easily changed and set
- 2" (51mm) wide solid brass case for superior security and weatherability
- All brass internal locking mechanism
- Tough heel and toe lever locking system
- Hardened steel - chrome plated shackle
- Automatic "0000" stop
- Product of Taiwan
- Designed in Wheeling, Illinois

Best Used for:

- Job boxes & gang boxes
- Utility meters, substations & cable boxes
- Tool chests, boxes and cribs
- Lockers

9-inch Chain Assemblies for CCL Padlocks

Number	Used with Padlock Series	Material	For Shackle Diameter	Weight per pack of 10 (lbs./oz.)
2217N	904, 436 , 437 , 500 , 95, 66	Steel, zinc plated	0.312	0/8
02217N	0904, 0436 , 0437	Brass, dipped	0.312	0/8
2223N	906	Steel, zinc plated	0.375	0/10
02223N	0906	Brass, dipped	0.375	0/10



95 Padlocks Pin Tumbler

Part#	Shackle Clearance	Body Width	# of Pins	MFT PT #	Shelf Pack	MSRP
-------	-------------------	------------	-----------	----------	------------	------

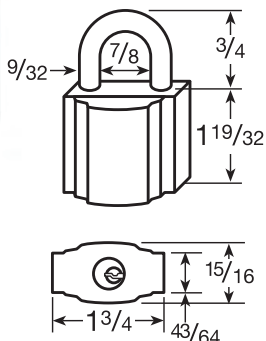
Made-To-Order Items:

95	3/4"	1-3/4"	6			\$23.15
2217N Chain - Zinc Plated				422L838144		\$4.34
02217N Chain - Brass Dipped				422L832144		\$4.81

Master Keying Charge

\$4.63

- Heel and toe deadlocking security
- **Material:** Solid pressure cast case with silver gray finish
- Hardened steel, chrome plated shackle
- **Regular Key Changes:** All different
- **Master Keying:** Available when specified on order
- **2 Keys Blank No.:** 8687C-CR
- **Keyways Available:** CR
- **Number of Pin Tumblers:** 6
- **Chain:** Available with 2217N steel chain assembly, 9" chain. Specify on order using suffix "C" (e.g., 95C). Can be keyed to #2, 12B and Ex Key Codes
- Product of Taiwan; designed in Wheeling, Illinois



4-Dial Resettable Diecast with Brass Internal Parts

Part#	UPC Code	Shackle Clearance (A)	# of Dials	Body Width	Finish	Packaging	Shelf Pack	MSRP
-------	----------	-----------------------	------------	------------	--------	-----------	------------	------

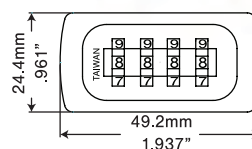
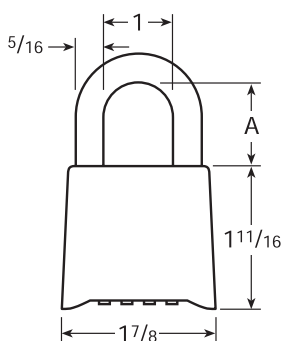
Stock Items:

K500 3/4	021919000875	1"	4 Dial	2"	Black	Carded	5	\$20.90
K500 2-1/4	021919000738	2-1/4"	4 Dial	2"	Black	Carded	5	\$22.00
Change Pin Regular Sesamee® 576F0180002G								\$1.21

- Set-your-own 4-digit combination for convenience and security
- 2" (51mm) wide (for 500 series) diecast body for durable security and weatherability
- 1" (25mm) and 2-1/4" [57mm] hardened steel - chrome plated shackle
- 10,000 possible combinations which can be easily changed and set
- All brass internal locking mechanism
- Tough heel and toe lever locking system
- Automatic "0000" stop
- Black epoxy finish

Best Used for:

- Job boxes & gang boxes
- Utility meters, substations & cable boxes
- Tool chests, boxes and cribs
- Lockers



K500 2-1/4



K500 3/4



3-Dial Resettable Diecast

Part#	UPC Code	Shackle Clearance	# of Dials	Body Width	Finish	Packaging	Shelf Pack	MSRP
-------	----------	-------------------	------------	------------	--------	-----------	------------	------

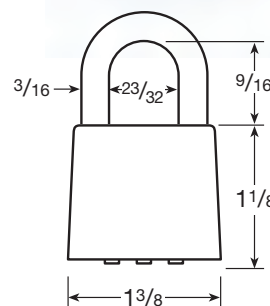
Stock Items:

AB410	021919000769	9/16"	3 Dial	1-3/8"	Black	Carded	5	\$12.10
--------------	--------------	-------	--------	--------	-------	--------	---	---------

- Set-your-own 3-digit combination for convenience and security
- 1" (25mm) wide diecast case for durable security and weatherability
- 1" (25mm) hardened steel chrome-plated shackle
- Set to one of 1,000 possible combinations
- Tough heel and toe lever locking system
- Product of Taiwan; designed in Wheeling, Illinois

Best Used for:

- Job boxes & gang boxes
- Utility meters, substations & cable boxes
- Tool chests, boxes and cribs
- Lockers



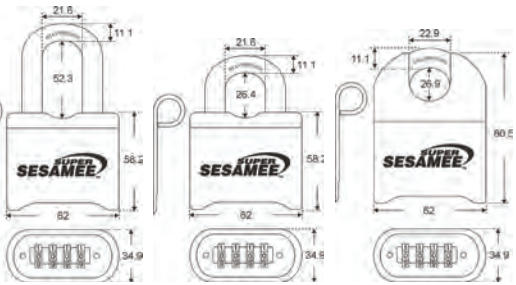
AB410



DIY



K637 K636 K646



> Super Sesamee® Cases

4-Dial Heavy Duty Super Sesamee

Part#	UPC Code	Shackle Clearance	# of Dials	Body Width	Finish	Packaging	Shelf Pack	MSRP
-------	----------	-------------------	------------	------------	--------	-----------	------------	------

Stock Items:

K636	021919006464	1"	4	2-1/2"	Black	Carded	5	\$46.20
K637	021919006365	2"	4	2-1/2"	Black	Carded	5	\$48.40
K646	021919006372	1"	4	2-1/2"	Black	Carded	5	\$62.70
Change Pin Super Sesamee® 576F0280002G								\$1.21

- Industrial strength combination lock resists the strongest hammer and pry bar attacks
- Hardened Steel Full Metal Jacket and Shroud
- Weather Resistant Black Electrocoating
- 7/16" Chrome Plated Molybdenum Shackle
- Inside Shackle Clearances: 1" and 2"
- Shackle Pull Strength: 2,750 pounds
- All Brass Inner Mechanism and Four All Brass Dials
- 10,000 Changeable Combinations
- Quick Delivery: Shipped from Stock
- Product of Taiwan; designed in Wheeling, Illinois

Best Used for:

- Job boxes & gang boxes
- Utility meters
- Substations & cable boxes
- Tool chests, boxes and cribs
- Lockers

4-Dial Resettable Front Faced Diecast

Part#	UPC	Shackle Clearance	# of Dials	Body Width	Finish	Packaging	Shelf Pack	MSRP
-------	-----	-------------------	------------	------------	--------	-----------	------------	------

Stock Items:

K2620PC	048173026205	1"	4 Dial	2-5/64"	Chrome	Carded	5	\$20.90
K2620PSB	048173226209	1"	4 Dial	2-5/64"	Black	Carded	5	\$20.90
K2621PC	048173026212	2-1/2"	4 Dial	2-5/64"	Chrome	Carded	5	\$21.45
K2621PSB	048173226216	2-1/2"	4 Dial	2-5/64"	Black	Carded	5	\$21.45

- Heavy duty combination padlock
- Diecast housing for durable security and weatherability
- Hardened steel - chrome plated shackle
- 4-dials with 10,000 possible combinations
- Tough heel and toe lever locking system
- Product of Taiwan; designed in Wheeling, Illinois

Best Used for:

- Industrial, Storefront & Business Gates
- Manufacturing Environments
- Utility Meters, Substations & Cable Boxes
- Marine Recreation Lockers



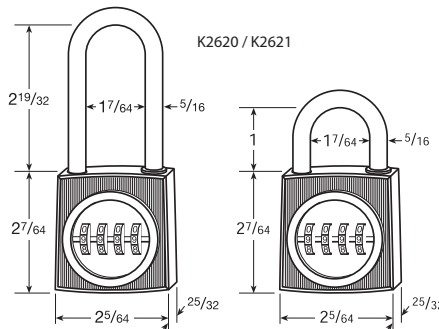
K2620PSB

K2621PSB



K2620PC

K2621PC



436L • 437L Resettable Combination Laminated Padlocks **NEW** Product Series

Part#	UPC Code	Shackle Clearance	# of Dials	Body Width	Finish	Packaging	Shelf Pack	MSRP
-------	----------	-------------------	------------	------------	--------	-----------	------------	------

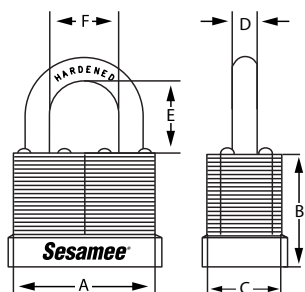
Stock Items:

436L	021919001261	1"	4	2"	Laminated	Box	6	\$15.40
K436L	021919000851	1"	4	2"	Laminated	Carded	6	\$15.95
437L	021919001278	2-1/4"	4	2"	Laminated	Box	6	\$16.50
K437L	021919000868	2-1/4"	4	2"	Laminated	Carded	6	\$17.05

- 4 dials with 10,000 possible combinations
- Steel shackle with quality plating
- Easy to reset your combination number at any time
- Keyless convenience

Best Used to Secure:

- Lockers
- Gates
- Tool chests
- Lockout



Part#	A Body Width mm	B Body Height mm	C Body Depth mm	D Shackle Diameter mm	E Shackle Clearance mm	F Shackle Clearance Width mm
436L	46	38	25	8	25	25
K436L	46	38	25	8	25	25
437L	46	38	25	8	57	25
K437L	46	38	25	8	57	25



436L



437L



165 Series Combination Padlocks **NEW** Product Series

Part#	UPC Code	Shackle Clearance	# of Dials	Packaging	Shelf Pack	MSRP
-------	----------	-------------------	------------	-----------	------------	------

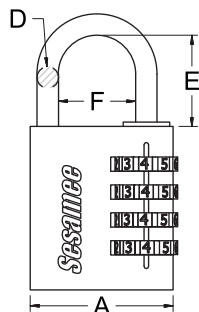
Stock Items:

16520	021919165208	3/4"	3	Decorative Box	6	\$12.59
16530	021919165307	1"	3	Decorative Box	6	\$13.64
16540	021919165406	1"	4	Decorative Box	6	\$17.84

- Tough Brass Lock Body
- Chrome Plated Shackle
- Keyless Convenience
- Create Your Own Combination
- Made in Taiwan

Best Used to Secure:

- Bags and suitcases
- Jewel boxes
- Cash boxes
- Cupboards
- Lockers
- Tool boxes
- Electrical boxes
- Switchboards, etc.



Part#	Body Width (A)	D	E	F	# of Dials
16520	20mm [3/4"]	3.2mm	21.6mm	9mm	3
16530	30mm [13/16"]	4.8mm	24mm	14.3mm	3
16540	40mm [1-9/16"]	6mm	25mm	21.6mm	4



16540



16530



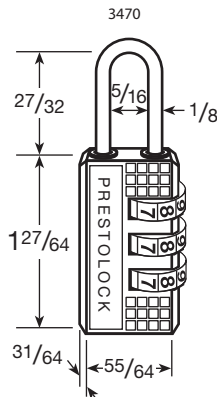
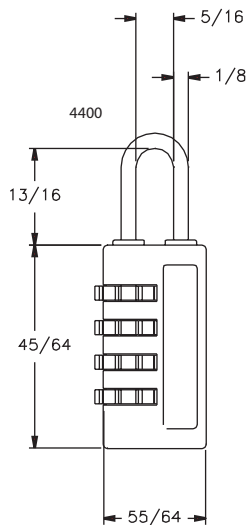
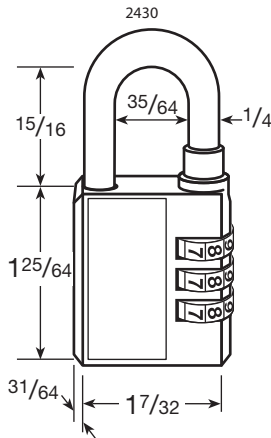
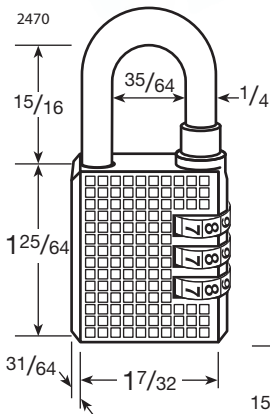
16520

DIY

Traditional Combination Padlocks



2470PSB



Part#	UPC Code	Shackle Clearance	# of Dials	Finish	MFT PT#	Shelf Pack	MSRP
-------	----------	-------------------	------------	--------	---------	------------	------

Stock Items:

K1450PSB		27/32"	3 Dial	Black		6	\$5.49
B1450PSB		27/32"	3 Dial	Black		Bulk/100	\$5.49
K2400PSB		27/32"	3 Dial	Black		Bulk/100	\$6.59
B2400PSB		27/32"	3 Dial	Black		Bulk/100	\$6.59
B2430PFO		15/16"	3 Dial	Orange		Bulk/100	\$7.69
K2470BN	048173247013	15/16"	3 Dial	Bright Nickel	24701	6	\$7.69
B2470BN		15/16"	3 Dial	Bright Nickel		Bulk/100	\$6.59
K2470PSB	048173247037	15/16"	3 Dial	Black	24703	6	\$7.69
B2470PSB		15/16"	3 Dial	Black		Bulk/100	\$6.59
K2470BP	048173247020	15/16"	3 Dial	Brass	24702	6	\$7.69
K2470PTR	048173247068	15/16"	3 Dial	Pewter	24706	6	\$7.69
K2470PRD	048173247105	15/16"	3 Dial	Red	24710	6	\$7.69
K2470PFO	048173247075	15/16"	3 Dial	Orange	24707	6	\$7.69
K2470PFG	048173247051	15/16"	3 Dial	Green	24705	6	\$7.69
K3470BN	048173347010	27/32"	3 Dial	Bright Nickel	34701	6	\$6.59
B3470BN		27/32"	3 Dial	Bright Nickel		Bulk/100	\$5.49
K3470BP	048173347027	27/32"	3 Dial	Brass	34702	6	\$6.59
B3470BP		27/32"	3 Dial	Brass	3470BP	Bulk/100	\$5.49
K3470PSB	048173347034	27/32"	3 Dial	Black	34703	6	\$6.59
B3470PSB		27/32"	3 Dial	Black	3470PSB	Bulk/100	\$5.49
K3470PRD	048173347102	27/32"	3 Dial	Red	34710	6	\$6.59
B3470PRD		27/32"	3 Dial	Red	3470PRD	Bulk/100	\$5.49
K3470PFG	048173347058	27/32"	3 Dial	Green	34705	6	\$6.59
B3470PFG		27/32"	3 Dial	Green	3470PFG	Bulk/100	\$5.49
K3470PFO	048173347072	27/32"	3 Dial	Orange	34707	6	\$6.59
K3470PTR	048173347065	27/32"	3 Dial	Pewter	34706	6	\$6.59
K4400BN		27/32"	4 Dial	Bright Nickel		6	\$7.69
B4400BN		27/32"	4 Dial	Bright Nickel		Bulk/100	\$6.59

K stands for Carded; B stands for Bulk

- Set-your-own combination convenience
- Easy to set and reset
- Various solid metal bodies which withstands abuse
- Nickel plated steel shackle for cut resistance
- Product of Taiwan; designed in Wheeling, Illinois

Best Used For:

- Storage Lockers
- School, Employee, & Athletic Lockers
- Cabinets

Final Digit (347XX) denotes color

Color



Hidden Shackle 5-Pin

NEW! Zinc Product Added

Part#	UPC Code	Back	Body Material	Keyed	Body Width	# of Pins	Shelf Pack	Packaging	MSRP Price
Stock Items:									
93000-BITTED-Z	021919930257	Stepped	Zinc Diecast	0-bitted	2-7/8"	5	4	Boxed	\$33.00
93001	021919930011	Stepped	Hardened Steel	KA	2-7/8"	5	4	Boxed	\$44.00
93001-Z	021919930035	Stepped	Zinc Diecast	KA	2-7/8"	5	4	Boxed	\$33.00
93002	021919930028	Stepped	Hardened Steel	KD	2-7/8"	5	4	Boxed	\$44.00
93002-Z	021919930158	Stepped	Zinc Diecast	KD	2-7/8"	5	4	Boxed	\$33.00
93004	021919930042	Stepped	Hardened Steel	KD	2-7/8"	5	4	Clamshell	\$44.00
93005	021919930059	Flat Back	Hardened Steel	KA	2-7/8"	5	4	Boxed	\$44.00
93006	021919930066	Flat Back	Hardened Steel	KD	2-7/8"	5	4	Boxed	\$44.00
93007	021919930073	Stepped	Hardened Steel	KA	2-7/8"	5	4	Boxed	\$44.00
93008	021919930080	Stepped	Hardened Steel	KA	2-7/8"	5	4	Boxed	\$44.00
93009	021919930097	Stepped	Hardened Steel	KA	2-7/8"	5	4	Boxed	\$44.00
93010	021919930103	Stepped	Hardened Steel	KA	2-7/8"	5	4	Boxed	\$44.00
930SFIC	021919930110	Flat Back	Hardened Steel	SFIC	2-7/8"	N/A	4	Boxed	\$44.00
930KIK	021919930127	Flat Back	Hardened Steel	KIK	2-7/8"	N/A	4	Boxed	\$46.20
930-Dial	021919003753	Flat Back	Hardened Steel	Dial	2-7/8"	N/A	4	Boxed	\$71.50
Accessories:									
93020	021919930202		HASP for Hidden Shackle Padlock				10	Boxed	\$37.40
930-Core-0-bitted	021919930301		0-Bitted core for 930 series w/2 rung keys				10	Boxed	\$12.10
930-Core-KD	021919930356		KD core for 930 series w/2 rung keys				10	Boxed	\$12.10



93001



93001

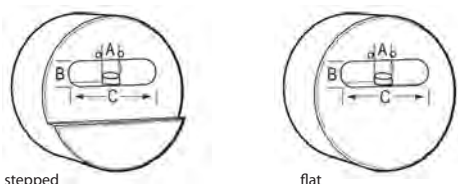


93005

- High security flat back hidden shackle padlock
- Lock body conceals shackle and defeats attempts to pry and cut
- 2-7/8" (73mm) wide molybdenum alloy steel body withstands forcible attacks
- 3/8" (9mm) diameter boron alloy shackle
- High security, rekeyable 5-pin cylinder with spool pins is virtually impossible to pick
- Designed for Commercial/Industrial applications
- 930SFIC & 930KIK Housings only; cores are not included
- Product of Taiwan; designed in Wheeling, Illinois



For Black or White finish please add -Black or -White to the desired stock number (i.e., 93001-Black)



A	B	C
3/8"	1/2"	1-23/32"



> Puck lock assembly

Commercial

Round Body Hardened Steel

Keyed or SFIC, KIK & LFIC (less cylinder)

NEW Product Series



937

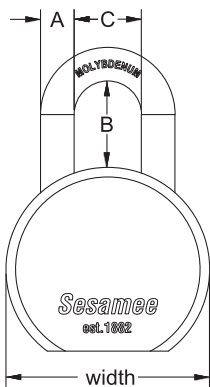
936



93610



Key Retainer



Part#	A	B	C
936	7/16"	1"	7/8"
9361C	7/16"	1-1/8"	7/8"
937	7/16"	2"	7/8"
9371C	7/16"	2-1/8"	7/8"

Part#	UPC Code	Shackle Clearance	Keyed	Body Width	# of Pins	Shelf Pack	Packaging	MSRP
-------	----------	-------------------	-------	------------	-----------	------------	-----------	------

Stock Items:

93601	021919936013	1"	KA62573	2-1/2"	5	6	boxed	\$30.80
93602	021919936020	1"	KD	2-1/2"	5	6	boxed	\$30.80
93604	021919936044	1"	KD	2-1/2"	5	6	clamshell	\$30.80
93610	021919936105	1-1/8"	KIK	2-5/8"	5	6	boxed	\$37.40
93611	021919936112	1-1/8"	LFIC Schlage	2-5/8"	5	6	boxed	\$37.40
93701	021919937010	2"	KA62573	2-1/2"	5	6	boxed	\$31.35
93702	021919937027	2"	KD	2-1/2"	5	6	boxed	\$31.35
93704	021919937041	2"	KD	2-1/2"	5	6	clamshell	\$31.35
93605	021919936051	1"	KA37784	2-1/2"	5	6	boxed	\$30.80
93606	021919936068	1"	KA63827	2-1/2"	5	6	boxed	\$30.80
93607	021919936075	1"	KA83575	2-1/2"	5	6	boxed	\$30.80
93608	021919936082	1"	KA24164	2-1/2"	5	6	boxed	\$30.80
93609	021919936099	1-1/8"	SFIC	2-5/8"	5	6	boxed	\$30.80
93705	021919937058	2"	KA37784	2-1/2"	5	6	boxed	\$31.35
93706	021919937065	2"	KA63827	2-1/2"	5	6	boxed	\$31.35
93707	021919937072	2"	KA83575	2-1/2"	5	6	boxed	\$31.35
93708	021919937089	2"	KA24164	2-1/2"	5	6	boxed	\$31.35
93709	021919937096	2-1/8"	SFIC	2-5/8"	5	6	boxed	\$31.35
93710	021919937102	2-1/8"	KIK	2-5/8"	5	6	boxed	\$37.95
93711	021919937119	2-1/8"	LFIC Schlage	2-5/8"	5	6	boxed	\$37.95

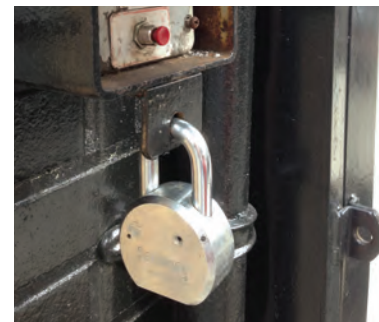
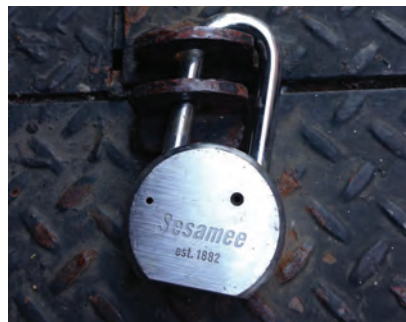
Replacement Shackles:

	Material	Diameter	Finish		
99936-1C For 93609, 93610, 93611	Moly	7/16"	Chrome	Stock Qty 10 pcs	\$10.50
99937-1C For 93709, 93710, 93711	Moly	7/16"	Chrome	Stock Qty 10 pcs	\$11.00

- Keyed 936/937 in the popular American® AM3 Keyway
- Molybdenum alloy shackle is standard
- 2-1/2" (64mm) wide round solid steel body
- Chrome rustproofing provides longer life
- 1-1/8" (28.57mm) or 2" (51mm) tall, 7/16" (11mm) molybdenum alloy shackle for superior cut resistance
- Dual ball bearing locking mechanism resists pulling & prying
- High security, rekeyable 5-pin cylinder with spool pins virtually impossible to pick
- All padlocks come Non Key Retaining
- Key retaining set screw included with each lock
- Product of Taiwan; designed in Wheeling, Illinois

Best Used in:

- Industrial, Storefront & Business Gates
- Manufacturing Environments
- Utility Meters, Substations & Cable Boxes
- Marine Recreation



100 Series Discus Padlock **NEW** Product Series

Part#	UPC Code	Body Width	Body Thickness	Shackle Diameter	Clearance Vert.	Clearance Horiz.	Keyed, Box / Carded	Shelf Pack	Master Carton	MSRP
Stock Items:										
10010	021919100100	2-3/4"	1-11/50"	3/8"	3/4"	3/4"	KD, BOX PK	6	30	\$25.30
10011	021919100117	2-3/4"	1-11/50"	3/8"	3/4"	3/4"	1983 KA1, BOX PK	6	30	\$25.30
10012	021919100124	2-3/4"	1-11/50"	3/8"	3/4"	3/4"	1985 KA2, BOX PK	6	30	\$25.30
10013	021919100131	2-3/4"	1-11/50"	3/8"	3/4"	3/4"	1979 KA3, BOX PK	6	30	\$25.30
10014	021919100148	2-3/4"	1-11/50"	3/8"	3/4"	3/4"	1984 KA4, BOX PK	6	30	\$25.30
10015	021919100155	2-3/4"	1-11/50"	3/8"	3/4"	3/4"	1988 KA5, BOX PK	6	30	\$25.30
10016	021919100162	2-3/4"	1-11/50"	3/8"	3/4"	3/4"	MK, BOX PK	6	30	\$25.30
10020	021919100209	2-3/4"	1-11/50"	3/8"	3/4"	3/4"	KD, Carded	6	30	\$25.30



10010



Accessories: 100-KB-4PIN

50 to a box each \$1.10

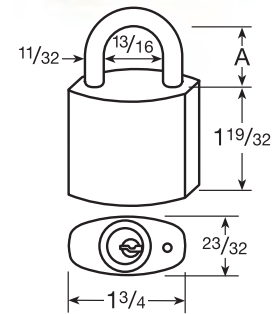
- Fully shrouded design minimizes shackle exposure and protects against bolt cutter attacks
- 2-3/4" (70mm) wide stainless steel lock body resists corrosion
- Hardened steel shackle for extra cut resistance
- Double deadbolt locking for superior pry resistance
- 5-pin cylinder helps prevent picking
- Key retaining feature ensures padlock is not left unlocked
- KD has 978 key changes
- Product of Taiwan; Designed in Wheeling, IL

Best Used for:

- Self Storage Units
- Storage Lockers
- Sheds, Workshops & Garages
- Trailers, Vans & Moving Trucks

906 Padlocks Pin Tumbler Solid Brass

Part#	Shackle Clearance	Shackle Material	Keyed	Body Width	# of Pins	MFT PT #	Shelf Pack	MSRP
Stock Items:								
906	13/16"	Hardened Steel, Chrome Plated	KD	1-3/4"	5/6	02112	10	\$48.51
906	13/16"	Hardened Steel, Chrome Plated	KA2A36485	1-3/4"	5/6	00140	10	\$48.51
Made-to-Order Items:								
906-AR	13/16"	Hardened Steel	AR	1-3/4"	5/6	906501		\$48.51
906-WR	13/16"	Hardened Steel	WR	1-3/4"	5/6	906532		\$48.51
906	13/16"	Hardened Steel		1-3/4"	5/6			\$48.51
0906-AR	13/16"	Brass	AR	1-3/4"	5/6	0906501		\$49.67
0906-WR	13/16"	Brass	WR	1-3/4"	5/6	0906532		\$49.67
0906	13/16"	Brass		1-3/4"	5/6			\$49.67
906S-AR	1-1/4"	Hardened Steel	AR	1-3/4"	5/6	906S501		\$49.67
906S	1-1/4"	Hardened Steel		1-3/4"	5/6			\$49.67
0906S-AR-Chain	1-5/32"	Brass	AR	1-3/4"	5/6	0906SCA501		\$55.22
0906S	1-1/4"	Brass		1-3/4"	5/6			\$50.82
906W	1-3/4"	Hardened Steel		1-3/4"	5/6			\$48.51
0906W-AR	1-3/4"	Brass	AR	1-3/4"	5/6	0906W501		\$49.67
0906W	1-3/4"	Brass		1-3/4"	5/6			\$49.67
906H-AR	2-1/2"	Hardened Steel		1-3/4"	5/6	906H501		\$60.50
906H	2-1/2"	Hardened Steel		1-3/4"	5/6			\$60.50
0906H-AR	2-1/2"	Brass	AR	1-3/4"	5/6	0906H501		\$62.70
0906H	2-1/2"	Brass		1-3/4"	5/6			\$60.50
0906L-WR	1-1/2"	Brass	WR	1-3/4"	5/6	0906L532		\$60.50
0906L	1-1/2"	Brass		1-3/4"	5/6			\$60.50



Standard Keyway: AR. Other keyways available.
Number of pin tumblers: 5
Regular key changes: all different
Master Keying: Available masterkeyed when specified on order.
Chain: can be furnished with 9-inch chain. Steel shackle with 2223N chain assembly. Brass shackle with 02223N chain assembly. Suffix "C" to number on order, i.e. 9-6C.
See p26 for 9-inch Chain Assemblies for CCL Padlocks
Special Stamping: Available with case stamped to customer requirements when so ordered.
Unassembled padlocks: Available in this series.

Master Key Charge

Travel Security

Featuring the Green / Red SearchAlert® Indicator

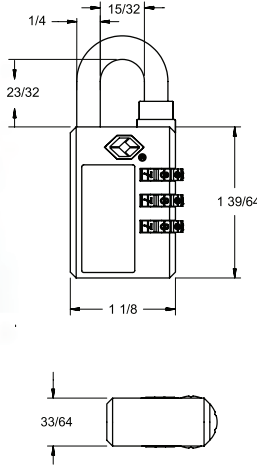


From the moment the airlines handle your checked bags and luggage to the time you leave your bags in your hotel room, with the valet or even in the car, a Sesamee® TSA-Accepted Travel Lock can help keep your personal items safer and make your trip more pleasurable. Sesamee® offers the most complete line of TSA-Accepted Locks you can travel with. Now, the trusted security leader has made remembering your combination easier than ever with the introduction of the new low-cost TSA-Accepted Set-Your-Own combination lock.

- Airport Luggage & Case Security • TSA Accepted • TSA Recognized • Opened Lock Warning • Patented Security Window Prevents Surreptitious Entry • Available from Stock
- 1,000 Re-settable Combinations • Regular and Heavy Duty Shackles • Lock has been **Opened** • **Green** Window = Lock has **Not Been Opened**



K6430BN



TRAVEL LOCK SearchAlert® Heavy Duty Shackle

Part#	UPC Code	Shackle Clearance	# of Dials	Body Width	Finish	Shelf Pack	MSRP
Stock Items:							
K6430PSB	048173264300	23/32"	3 Dial	1-1/8"	Black	6	\$12.08
K6430PTR	048173364338	23/32"	3 Dial	1-1/8"	Pewter	6	\$12.08
K6430BN	048173064306	23/32"	3 Dial	1-1/8"	Bright Nickel	6	\$12.08
K6430BP	048173164303	23/32"	3 Dial	1-1/8"	Brass	6	\$12.08

• Product of Taiwan; designed in Wheeling, Illinois



K6435PSB



K6435PTR

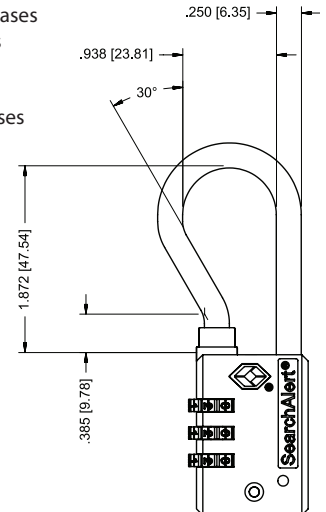
TRAVEL LOCK SearchAlert® Looped Shackle Case Heavy Duty

Part#	UPC Code	Shackle Clearance	# of Dials	Body Width	Finish	Shelf Pack	MSRP
Stock Items:							
K6435PSB	048173264355	1-1/2"	3 Dial	1-1/8"	Black	6	\$12.60
K6435PTR	048173364383	1-1/2"	3 Dial	1-1/8"	Pewter	6	\$12.60

- Shackle designed to accommodate security cases
- Security Window cannot be altered with a paper clip
- Security Window can only be reset by a person knowing the combination
- Zinc Die Cast Body (Not Brittle Plastic)
- Steel Shackle is virtually unbreakable
- Product of Taiwan; designed in Wheeling, IL

Best Used for:

- Hardened Cases
- Music Cases
- Gun Cases
- Luggage
- Golf Bag Cases





Featuring the Green / Red SearchAlert® Indicator

Travel Security

TRAVEL LOCK SearchAlert® 747 Series Padlocks >>> NEW Product Series

Part#	UPC Code	Shackle Clearance	# of Dials	Body Width	Finish	Packaging	Shelf Pack	Master Pack	MSRP
Stock Items:									
74701	048173747018	3/4"	3 Dial	1-19/64"	Nickel	Carded	6	36	\$11.03
74702	048173747025	3/4"	3 Dial	1-19/64"	Brass	Carded	6	36	\$11.03
74703	048173747032	3/4"	3 Dial	1-19/64"	Black	Carded	6	36	\$11.03
74703x2	048173747209	3/4"	3 Dial	1-19/64"	Black	Carded	6	36	\$22.05
74704	048173747049	3/4"	3 Dial	1-19/64"	Blue	Carded	6	36	\$11.03
74705	048173747056	3/4"	3 Dial	1-19/64"	Green	Carded	6	36	\$11.03
74706	048173747063	3/4"	3 Dial	1-19/64"	Pewter	Carded	6	36	\$11.03
74706x2	048173747216	3/4"	3 Dial	1-19/64"	Pewter	Carded	6	36	\$22.05
74707	048173747070	3/4"	3 Dial	1-19/64"	Orange	Carded	6	36	\$11.03
74708	048173747087	3/4"	3 Dial	1-19/64"	Pink	Carded	6	36	\$11.03
74709	048173747094	3/4"	3 Dial	1-19/64"	Purple	Carded	6 <td 36	\$11.03	
74710	048173747100	3/4"	3 Dial	1-19/64"	Red	Carded	6	36	\$11.03
74710x2	048173747223	3/4"	3 Dial	1-19/64"	Red	Carded	6	36	\$22.05
74711	048173747117	3/4"	3 Dial	1-19/64"	Yellow	Carded	6	36	\$11.03
74712	048173747124	3/4"	3 Dial	1-19/64"	White	Carded	6	36	\$11.03
74713	048173747131	3/4"	3 Dial	1-19/64"	Camouflage	Carded	6	36	\$11.03



74703

- New packaging
- Lighter, Compact Design
- SearchAlert® Feature
- All Colors Available in One Series
- Painted Dials
- Metal Construction
- Designed in USA



Travel Security

Featuring the Green / Red SearchAlert® Indicator



94503

94506

94510

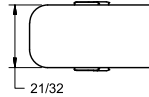
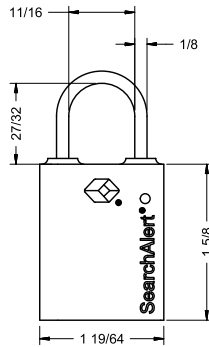
TRAVEL LOCK SearchAlert® **NEW** Product Series Keyed

Part#	UPC Code	Shackle Clearance	Keyed	Body Width	Finish	Shelf Pack	MSRP
-------	----------	-------------------	-------	------------	--------	------------	------

Stock Items:

94503	048173945032	15/16"	KD	1-19/64"	Black	6	\$9.44
94503x2	048173945209	15/16"	KD	1-19/64"	Black	6	\$18.88
94506	048173945063	15/16"	KD	1-19/64"	Pewter	6	\$9.44
94506x2	048173945216	15/16"	KD	1-19/64"	Pewter	6	\$18.88
94510	048173945100	15/16"	KD	1-19/64"	Red	6	\$9.44
94510x2	048173945223	15/16"	KD	1-19/64"	Red	6	\$18.88

- 3 Colors, Black/Red/Pewter
- 2 Keys
- Steel body provides added resistance to corrosion
- KD and KA available
- Lightweight For Air Travel
- Product of Taiwan; designed in Wheeling, Illinois



TRAVEL LOCK SearchAlert® 4 Dial Lock

Part#	UPC Code	Shackle Clearance	# of Dials	Body Width	Finish	MFT PT#	Shelf Pack	MSRP
-------	----------	-------------------	------------	------------	--------	---------	------------	------

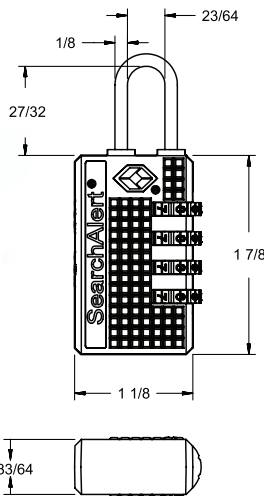
Stock Items:

K8470PSB	048173284704	3/4"	4 Dials	1-1/8"	Black		6	\$12.08
B8470PSB		3/4"	4 Dials	1-1/8"	Black	8470PSB	Bulk/100	\$11.81
K8470PTR	048173384732	3/4"	4 Dials	1-1/8"	Pewter		6	\$11.82
B8470PTR		3/4"	4 Dials	1-1/8"	Pewter	8470PTR	Bulk/100	\$11.81

- Airport Luggage & Case Security
- TSA Accepted
- TSA Recognized
- Opened Lock Warning
- Patented Security Window Prevents Surreptitious Entry
- Red Window = Lock Opened
- Green Window = Lock Not Opened
- 10,000 Re-settable Combinations
- Regular and Heavy Duty Shackles
- Available From Stock
- Product of Taiwan; designed in Wheeling, Illinois



8470PTR





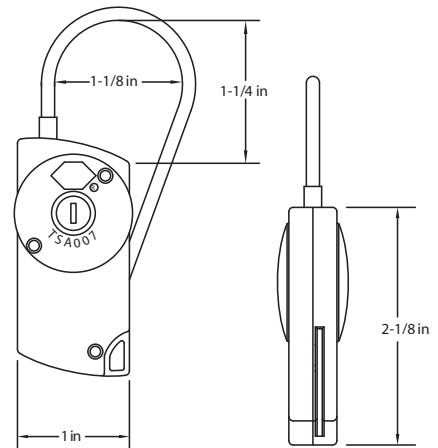
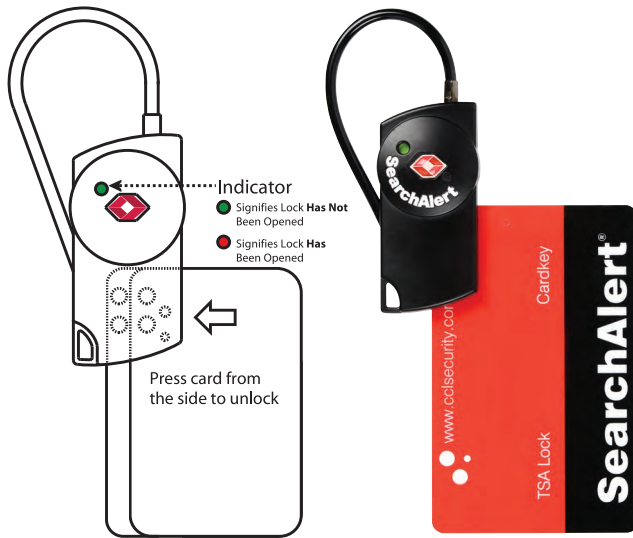
Featuring the Green / Red SearchAlert® Indicator

Travel Security

TRAVEL LOCK SearchAlert® 947 Series

Part#	UPC Code	Shackle Clearance	Body Width	Finish	Shelf Pack	MSRP
Stock Items:						
94703	048173947036	1-1/4"	1"	Black	6	\$19.95
94703x2	048173947203	1-1/4"	1"	Black	6	\$39.90
94706	048173947067	1-1/4"	1"	Pewter	6	\$19.95
94706x2	048173947210	1-1/4"	1"	Pewter	6	\$39.90
94710	048173947104	1-1/4"	1"	Red	6	\$19.95
94710x2	048173947227	1-1/4"	1"	Red	6	\$39.90

- Metal
- Patented Security Window
- Durable Cast Zinc-Alloy Construction
- TSA approved
- Designed in USA, Made in Taiwan
- Flexible Cable



Travel Security

Featuring the Green / Red SearchAlert® Indicator



TRAVEL LOCK SearchAlert® >>> NEW Product Series Cable Lock with Indicator



75003



75010



75006

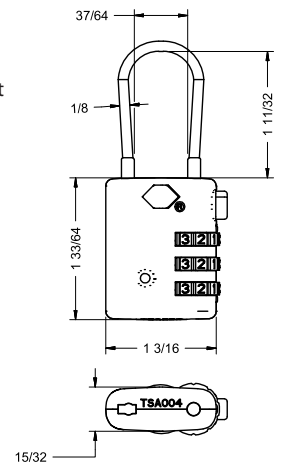
Part#	UPC Code	Shackle Clearance	# of Dials	Body Width	Finish	Shelf Pack	MSRP
-------	----------	-------------------	------------	------------	--------	------------	------

Stock Items:

75003	048173750032	1-1/4"	3 Dials	1-1/2"	Black	6	\$12.60
75006	048173750063	1-1/4"	3 Dials	1-1/2"	Pewter	6	\$12.60
75010	048173750100	1-1/4"	3 Dials	1-1/2"	Red	6	\$12.60

other colors available upon request and are subject to minimum order

- Equipped with a convenient 3-dial, easy-to-set combination of your own choosing
- Has as a flexible cable, allowing TSA screeners to inspect and re-lock baggage without damaging the lock
- Flexible cable resists abuse from airport luggage handling equipment and is built with a 1-1/8 inch (30mm) wide durable metal frame.
- Unique status changing window alerts you if your lock has been opened with a TSA secured tool, or by an unauthorized person using a counterfeit device.
- Product of Taiwan; designed in Wheeling, Illinois



Easy Open SearchAlert® 751 Series Cable Lock with Indicator >>> NEW Product Series



75103



75110



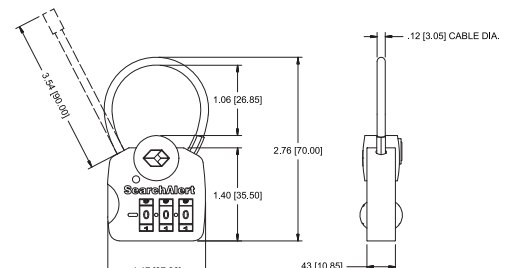
75106

Part#	UPC Code	Shackle Clearance	# of Dials	Body Width	Finish	Shelf Pack	MSRP
-------	----------	-------------------	------------	------------	--------	------------	------

Stock Items:

75103	048173751039	1-1/16"	3 Dials	1-15/32"	Black	6	\$12.60
75106	048173751060	1-1/16"	3 Dials	1-15/32"	Pewter	6	\$12.60
75110	048173751107	1-1/16"	3 Dials	1-15/32"	Red	6	\$12.60

- Large pushbutton for "easy open" access to your luggage.
- Easy read, large horizontal combination dials.
- Combination dials that "click-in" to confirm you're on the number you desire.
- Light weight, sturdy metal body with tough flexible steel locking cable.
- Unique status changing window alerts you if your lock has been
- Opened with a TSA secured tool or by an unauthorized person using a counterfeit device.
- Allows you to scramble combination dials immediately after opening to avoid locking and leaving lock on your combination.
- Product of Taiwan; designed in Wheeling, Illinois.

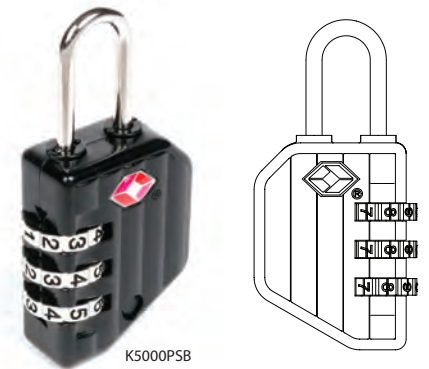




TRAVEL LOCK SearchAlert® **>>> NEW** Product Series Combination TSA Accepted Non-Indicator

Part#	UPC Code	Shackle Clearance	# of Dials	Body Width	Finish	Shelf Pack	MSRP
Stock Items:							
50003	048173500019	3/4"	3 Dials	1"	Black	6	\$7.72
50001	048173500026	3/4"	3 Dials	1"	Nickel	6	\$7.72
50002	048173500033	3/4"	3 Dials	1"	Brass	6	\$7.72
50012	048173500040	3/4"	3 Dials	1"	White	6	\$7.72
50006	048173500057	3/4"	3 Dials	1"	Pewter	6	\$7.72
50011	048173500064	3/4"	3 Dials	1"	Yellow	6	\$7.72
50007	048173500071	3/4"	3 Dials	1"	Orange	6	\$7.72
50008	048173500088	3/4"	3 Dials	1"	Pink	6	\$7.72
50005	048173500095	3/4"	3 Dials	1"	Green	6	\$7.72
50004	048173500101	3/4"	3 Dials	1"	Blue	6	\$7.72
50009	048173500118	3/4"	3 Dials	1"	Purple	6	\$7.72
50010	048173500125	3/4"	3 Dials	1"	Red	6	\$7.72

- TSA Accepted
- Airport Luggage & Case Security
- 1,000 Re-settable Combinations
- Regular and Heavy Duty Shackles
- Available From Stock
- Product of Taiwan; designed in Wheeling, Illinois



Prestoseals

Part#	UPC Code	Description	Color	Pieces per card	MSRP
Stock Items:					
K61900	048173619001	Deluxe Seals – Carded	Black	6	\$4.20
K61901	048173619018	Rugged Seals – Carded	Red	6	\$4.46
K61902	048173619025	Mini Seals – Carded	Yellow	6	\$2.89
61900		Deluxe Seals – Bulk	Black		\$0.70
61901		Rugged Seals – Bulk	Red		\$0.75
61902		Mini Seals – Bulk	Yellow		\$0.48

61902 - 61900:

- No sealing tool required
- Numbers and letters are hot stamped
- Tamper-proof shank and collar
- Removable only by destructive means
- Rust and corrosion proof Non-magnetic 100% recyclable

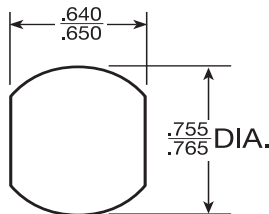
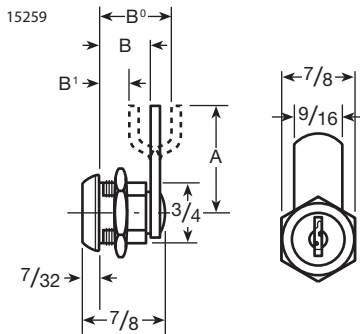
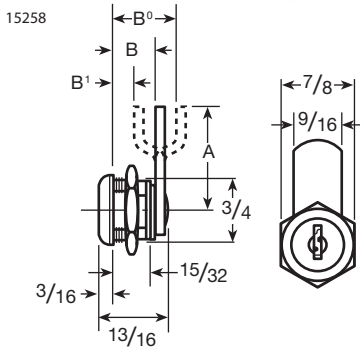
61901:

- Plastic body, galvanized wire hasp
- No sealing tool required
- Body can be hot stamped in black (or white) up to 13 characters on each of 3 lines, plus up to 7-digit sequential numbers
- Multiple body colors and hasp designs
- U.S. and U.K. Customs approved
- In-stock seals stamped "SECURED" with sequential numbering
- Recyclable



Cam Locks

15258 | 15259 Cam Lock With Spun-On Cam DISC TUMBLER Cannot be Masterkeyed



Part#	Length	Keyed	Master Keyed	Finish	Stock Quantity	MSRP
-------	--------	-------	--------------	--------	----------------	------

Made-to-Order Items:

15258	13/16"			US26D		\$8.91
C15258	13/16"			US26D		\$8.91
15259	7/8"			US26D		\$9.08
A15259	7/8"			US26D		\$9.08
C15259	7/8"			US26D		\$9.08
AC15259	7/8"			US26D		\$9.08

- **Material:** Pressure Cast
- **Cams:** See dimension in table. Cams measured from center of cylinder to end of cam. Cam cannot be removed.
 - **15258 Cam Positions:** Regularly furnished with cam mounted in locked position at 12 o'clock. Specify on order if different position required.
 - **15259 Cam Positions:** Regularly furnished with cam mounted in locked position at 12 o'clock. Specify on order if different position required. End of cylinder plug milled square. Cams punched with square hole to allow cam to be applied in any one of four positions.
- **Cam Rotation:** Furnished with 90 or 180 degree rotation. Specify on order. (Regular rotation 90 degrees counter clockwise from 12 to 9 o'clock).
 - **15258:** 180 degree stop cam allows key to throw cam 180 degrees which permits key to be withdrawn in both locked and unlocked positions. 90 degree stop cam allows key to throw cam 90 degrees which permits key to be removed in locked position only.
 - **15259:** Key removable in both locked and unlocked positions.
- **Clip:** Also available with clip.
- **A15259:** Same as 15259 except cam is affixed with nut. C15259 or AC15259 available with clip

Cam No.	Length	Distance Under Head to Cam					
		No. 15258*			No. 15259*		
		B	B'	B°	B	B'	B°
C2S	7/8"	15/32"			1/2"		
C2L	1 1/4"	15/32"			1/2"		
C3S	7/8"		11/32"			3/8"	
C3L	1 1/4"		11/32"			3/8"	
C4S	7/8"		7/32"			1/4"	
C4L	1 1/4"		7/32"			1/4"	
C5S	7/8"				19/32"		5/8"
C5L	1 1/4"				19/32"		5/8"
C6S	7/8"				23/32"		7/8"
C6L	1 1/4"				23/32"		7/8"

*Specify cam required on order, i.e., 15258 x C2S.

Part No./Cyl Length	MKYD	US2G	US26D	US14	Stock Qty	Approx Wt. (lbs./oz.)
15258	.	.				
C15258	.	.				
15259	.	.				
A15259	.	.				
C15259	.	.				
AC15259	.	.				
15295D	.		.			
15295A Cam		.				
15295D Cam		.				

*Other keypulls and keying available with minimum quantity orders. Check with Customer Service.

15295D Cam Lock

DISC TUMBLER Cannot be Masterkeyed

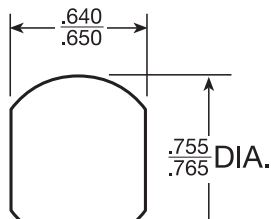
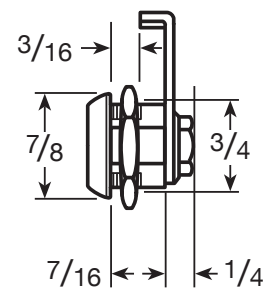
Made-to-Order Items:		Finish	MFT PT #	MSRP
15295D	7/16"	US26D		\$9.08
15295D	Cam	US2G	308F9280002G	\$1.80
15295A	Cam		329F6680002G	\$1.80
S16597	Cam		349F4880002G	\$1.80

- **Material:** Pressure Cast
- **Cam Positions:** Regularly furnished with cam mounted in locked position at 12 o'clock. Specify on order if different position required.
- **Cam Rotation:** 180 degree rotation only available. 12-6 or 6-12

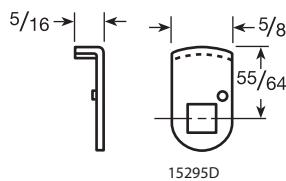
Part No/Cyl Length	MKYD	US2G	US26D
15295D	.	.	.
15295A Cam	.	.	.
15295D Cam	.	.	.



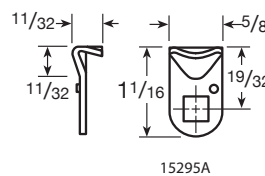
15295D



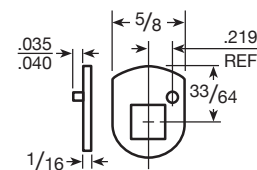
Mounting Cutout: "Double D" - Standard cutout for Disc Tumbler Cam Locks



15295D



15295A



S16597

Cam Locks

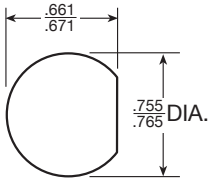
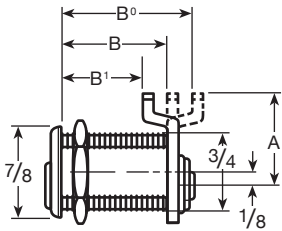
15748 & 15749 Cam Lock PIN TUMBLER Can be Masterkeyed



15748



15749



Mounting Cutout:
"Single D" – Standard
cutout for RH & LH Pin
Tumbler Cam Locks

Made-to-Order Items:	Keyed	Finish	MSRP
15748	4-Pin	US4	\$44.49
15748	4-Pin	US14	\$44.49
15748	4-Pin	US26D	\$44.49
15749	5-Pin	US4	\$48.65
15749	5-Pin	US14	\$48.65
15749	5-Pin	US26D	\$48.65
Master Keying Charge			\$4.41

- **Keyways Available:** R1 & CR
- **Material:** Brass
- **Cylinder:** Slabbed on one side
- **Regular Key Changes:** All different
- **Key Blank No.:**
8632C-R1 (4 pin) for 15748
8618C-R1 (5 pin) for 15749
8618C-R1 (5-Pin) for 15783
- **Cam Rotation:**
Furnished with 90 degree rotation
(12 o'clock to 3 o'clock standard).
Key removable in locked
position only.

Part No./Cyl Length	MKYD	US4	US14	US26D
15748
15749

Cam No.	Length	Distance Under Head to Cam					
		No.15748*			No. 15749*		
		B	B'	B''	B	B'	B''
C2S	7/8"	5/8"			13/16"		
C2L	1-1/4"	5/8"			13/16"		
C3S	7/8"		1/2"			1 1/16"	
C3L	1-1/4"		1/2"			1 1/16"	
C4S	7/8"		3/8"			9/16"	
C4L	1-1/4"		3/8"			9/16"	
C5S	7/8"			3/4"			15/16"
C5L	1-1/4"			3/4"			15/16"
C6S	7/8"			7/8"			1-1/16"
C6L	1-1/4"			7/8"			1-1/16"

*Specify cam required on order, i.e. 15748 x C2S

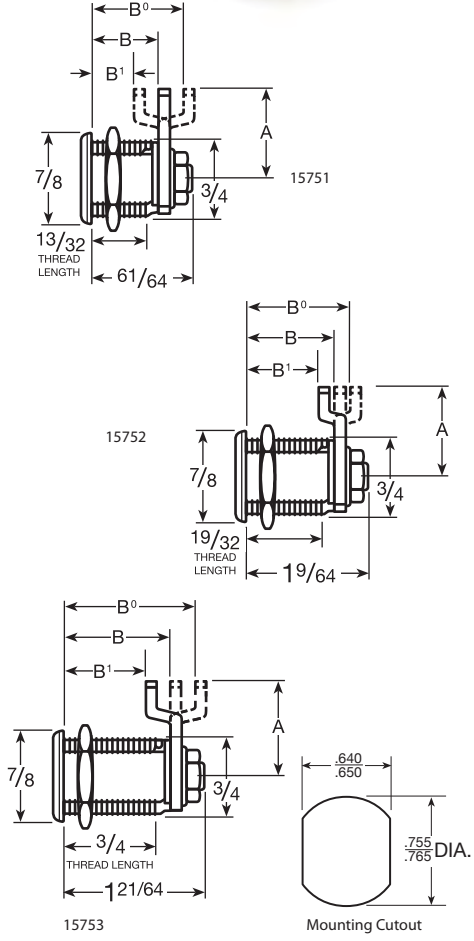
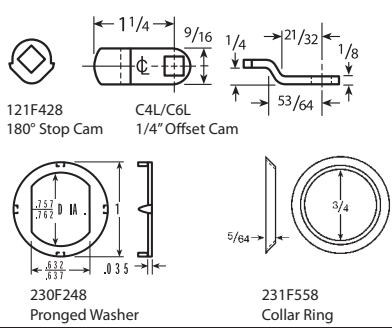
15751 | 15752 | 15753 Cam Lock

DISC TUMBLER Can be Masterkeyed

Part#	Length	Keyed	Master Keyed	Finish	MFT PT #	Stock Quantity	Boxed Weight lbs/oz	MSRP
Stock Items:								
B15751	5/8"	KD AUE		US26D	00218	25	5/9	\$6.68
B15751	5/8"	KA CAT 30		US26D	00219	25	5/9	\$6.68
B15751	5/8"	KA CAT 60		US26D	02656	25	5/9	\$6.68
B15751	5/8"	KD MKY M8003		US26D	02654	25	5/9	\$7.89
B15752	13/16"	KD AUE		US26D	02645	25	5/9	\$7.89
B15752	13/16"	KACAT 30		US26D	02660	25	5/9	\$7.89
B15752	13/16"	CAT60		US26D	02661	25	5/9	\$7.89
B15752	13/16"	MKY M8003(KD)		US26D	02662	25	5/9	\$9.10
Made-to-Order Items:								
15751	5/8"			US4				\$8.40
15751	5/8"			US26D				\$8.40
B15751	5/8"			US4				\$10.50
B15751	5/8"			US26D				\$10.50
C15751	5/8"			US4				\$8.40
C15751	5/8"			US26D				\$8.40
15752	13/16"			US4				\$9.45
15752	13/16"			US26D				\$9.45
B15752	13/16"			US4				\$10.50
B15752	13/16"			US26D				\$10.50
15753	1"			US26D				\$10.50
Master Keying Charge								\$4.41

- **Material:** Pressure cast
- **Regular Key Changes:** 200 with key blank 5865JVR (5 disc), 700 with key blank 8658JVR (6 disc)
- **Masterkeyed Key Changes:** 180 with key blank 5860KS (5 disc), 700 with key blank 5861KS (6 disc)
- **Cam Positions:** Regularly furnished with cam mounted at 12 o'clock locked position. Cam may be mounted at 3, 6, 9, or 12 o'clock locked position.
- **B15751 & B15752:** Lock is Polybagged and in US26D finish. The parts included with Camlock are CDL cam, 2 keys, 180 degree stop cam, 1/4" Offset cam, Pronged washer and Collar ring.

Package Includes:



- **Cam Rotation:** Regular rotation 90 degrees from 12 to 9 o'clock, key removable only in locked position at 12. Also available with 180 degree rotation from 12 to 6 o'clock so key can be withdrawn in both locked and unlocked positions.
- **Cylinder:** Slabbed on both sides

Cam No.	Length	No.15751*			No. 15752*			No.15753*Cam		
		B	B'	B ⁰	Distance Under Head to Cam			B	B'	B ⁰
C2S	7/8"	5/8"			13/16"			1"		
C2L	1-1/4"	5/8"			13/16"			1"		
C3S	7/8"		1/2"		11/16"			7/8"		
C3L	1-1/4"		1/2"		11/16"			7/8"		
C4S	7/8"		3/8"		9/16"			3/4"		
C4L	1-1/4"		3/8"		9/16"			3/4"		
C5S	7/8"			3/4"		15/16"				1-1/8"
C5L	1-1/4"			3/4"		15/16"				1-1/8"
C6S	7/8"			7/8"		1 1/16"				1-1/4"
C6L	1-1/4"			7/8"		1 1/16"				1-1/4"

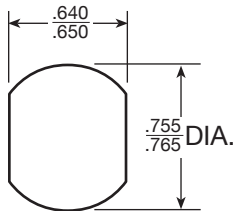
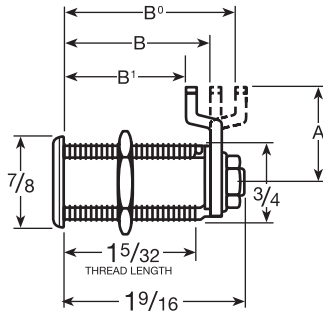
*Specify cam required on order, i.e., 15751 x C2S.



Cam Locks

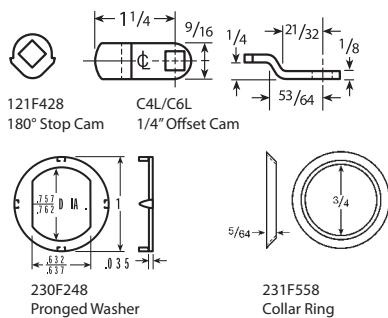
15760 Cam Lock

DISC TUMBLER Can be Masterkeyed



Mounting Cutout

B15760 Package Includes:



Part#	Length	Keyed	Master Keyed	Finish	MFT PT #	Stock Quantity	Boxed Weight lbs/oz	MSRP
-------	--------	-------	--------------	--------	----------	----------------	---------------------	------

Stock Items:

B15760		KD		US26D	00220	25	5/9	\$8.49
B15760		AUE 1		US26D	02664	25	5/9	\$8.49
B15760		KA CAT 30		US26D	02908	25	5/9	\$8.49
B15760		KA CAT 60		US26D	02659	25	5/9	\$8.49
B15760		MKY M8003(KD)		US26D	02665	25	5/9	\$9.70
K15760		KD		US26D	00222	8	2/2	\$9.70
KB15760A		KA CAT 30		US26D	00223	8	2/2	\$9.70

Made-to-Order Items:

15760				US4				\$10.50
15760				US26D				\$10.50
B15760				US4				\$12.60
B15760				US26D				\$12.60
C15751				US26D	099F268			\$1.38
								Master Keying Charge \$4.41

- **Material:** Pressure cast
- **Regular Key Changes:** 200 with key blank 5865JVR (5 disc), 700 with key blank 8658JVR (6 disc)
- **Masterkeyed Key Changes:** 180 with key blank 5860KS (5 disc), 700 with key blank 5861KS (6 disc)
- **Cam Positions:** Regularly furnished with cam mounted at 12 o'clock locked position. Cam may be mounted at 3, 6, 9, or 12 o'clock locked position.
- **Cam Rotation:** Regular rotation 90 degrees from 12 to 9 o'clock, key removable only in locked position at 12. Also available with 180 degree rotation from 12 to 6 o'clock so key can be withdrawn in both locked and unlocked positions.
- **Cylinder:** Slabbed on both sides

- **B15760:** Lock is Polybagged and in US26D finish. The parts included with Camlock are CDL cam, 2 keys, 180 degree stop cam, 1/4" Offset cam, Pronged washer and Collar ring.

Cam No.	Cam Length	Distance Under Head to Cam B	B'	B ⁰
C2S	7/8"	1-1/4"		
C2L	1-1/4"	1-1/4"		
C3S	7/8"		1-1/8"	
C3L	1-1/4"		1-1/8"	
C4S	7/8"		1"	
C4L	1-1/4"		1"	
C5S	7/8"			1-3/8"
C5L	1-1/4"			1-3/8"
C6S	7/8"			1-1/2"
C6L	1-1/4"			1-1/2"

*Specify cam required on order, i.e., 15751 x C2S.

15783 Cam Lock Lazy Cam Function

PIN TUMBLER Can be Masterkeyed

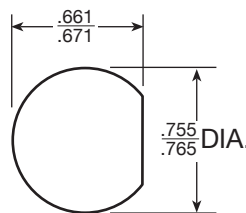
Part#	Length	Keyed	Master Keyed	Finish	MFT PT #	Stock Quantity	Boxed Weight lbs/oz	MSRP
Made-to-Order Items:								
15783				US14				\$49.61
15783				US26D				\$49.61
205 Cam – 12 to 9 or 6 to 3 (LH)			15783	Zinc	263F1480002G			\$2.21
205 Cam – 12 to 3 or 6 to 9 (RH)			15783	Zinc	263F1380002G			\$2.21
206 Cam – 12 to 9 or 6 to 3 (LH)			15783	Zinc	263F1880002G			\$2.21
206 Cam – 12 to 3 or 6 to 9 (RH)			15783	Zinc	263F1780002G			\$2.21
207 Cam – 12 to 9 or 6 to 3 (LH)			15783	Zinc	263F2080002G			\$2.21
207 Cam – 12 to 3 or 6 to 9 (RH)			15783	Zinc	263F1980002G			\$2.21
208 Cam – 12 to 9 or 6 to 3 (LH)			15783	Zinc	263F2280002G			\$2.21
208 Cam – 12 to 3 or 6 to 9 (RH)			15783	Zinc	263F2180002G			\$2.21
209 Cam – 12 to 9 or 6 to 3 (LH)			15783	Zinc	263F1280002G			\$2.21
210 Cam – 12 to 9 or 6 to 9 (LH)			15783	Zinc	263F1680002G			\$2.21
210 Cam – 12 to 3 or 6 to 9 (RH)			15783	Zinc	263F1580002G			\$2.21
Master Keying Charge								\$4.41

- **Keyways Available:** R1 & CR
- **Material:** Brass
- **Key Blank No.:** 8618C - R1 (5-Pin)
- **Cam Rotation:** Furnished with 90 degree rotation clockwise from 12 to 3 o'clock, 3 to 6 o'clock, 6 to 9 o'clock, or 9 to 12 o'clock. Specify cam rotation on order.

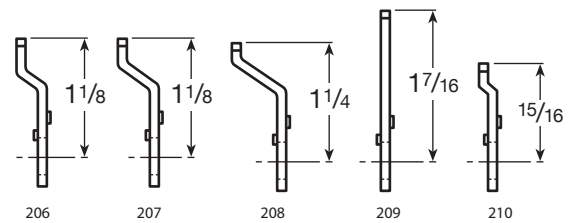
- **Operation:** Lock operated by full turn of key. Key removable in locked or unlocked position. Can also be set so that key is removable in locked position only with 90 degree cam rotation.
- **Cylinder:** Slabbed on one side

Cam No.	Cam Length	Distance Under Head to Cam B	Distance Under Head to Cam B'
205	1-3/16"	1"	
206	1-1/8"	25/32"	
207	1-1/8"	11/16"	
208	1-1/4"	9/16"	
209	1-7/16"	1"	
210	15/16"	29/32"	

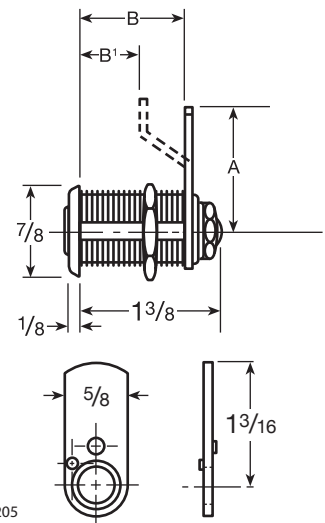
*Specify cam required on order, i.e., 15783 x 205.



Mounting Cutout:
"Single D" – Standard cutout for RH & LH Pin Tumbler Cam Locks



15783



205

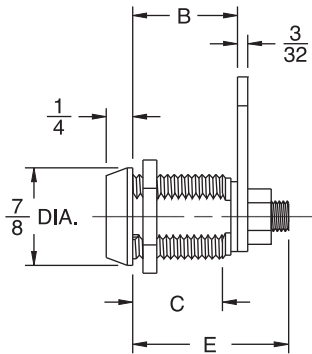
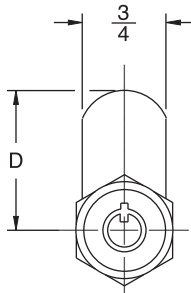
Bulk Items for 15751 | 15752 | 15760 Cam Locks

Part#	MFT PT #	MSRP
Stock Items:		
180° Stop Cam	121F4280002G	\$1.38
C4L/C6L – 1/2" Offset Cam	026F2180002G	\$1.44
Pronged Washer	230F2480002G	\$1.44
Collar Ring	231F2580002G	\$1.44

Cam Locks



BDB510S



Lock #	B	C	E
C510XS	7/16"	5/16"	3/4"
C510S	23/32"	9/16"	1"
C510M	29/32"	3/4"	1-15/32"
C510L	1-1/8"	27/32"	1-17/32"

C-510-XS | C-510-S | C-510-M | C-510-L

Die Cast Tubular Cam Lock

PIN TUMBLER Cannot be Masterkeyed

Part#	UPC Code	Length	Keyed	Finish	MFT PT #	Stock Quantity	Boxed Weight lbs/oz	MSRP
Stock Items:								
BDB510XS	021919510008	7/16"	KD	US26	51000	25	6/5	\$14.70
BDB510XS	021919510015	7/16"	KA-A0001	US26	51001	25	6/5	\$14.70
BDB510XS	021919510022	7/16"	KA-A0002	US26	51002	25	6/5	\$14.70
BDB510XS	021919510039	7/16"	KA-A0003	US26	51003	25	6/5	\$14.70
BDB510XS	021919510046	7/16"	KA-A0004	US26	51004	25	6/5	\$14.70
BDB510S	021919510107	23/32"	KD	US26	51010	25	6/5	\$14.70
BDB510S	021919510114	23/32"	KA-A0001	US26	51011	25	6/5	\$14.70
BDB510S	021919510121	23/32"	KA-A0002	US26	51012	25	6/5	\$14.70
BDB510S	021919510138	23/32"	KA-A0003	US26	51013	25	6/5	\$14.70
BDB510S	021919510145	23/32"	KA-A0004	US26	51014	25	6/5	\$14.70
BDB510M	021919510206	29/32"	KD	US26	51020	25	6/5	\$14.70
BDB510M	021919510213	29/32"	KA-A0001	US26	51021	25	6/5	\$14.70
BDB510M	021919510220	29/32"	KA-A0002	US26	51022	25	6/5	\$14.70
BDB510M	021919510237	29/32"	KA-A0003	US26	51023	25	6/5	\$14.70
BDB510M	021919510244	29/32"	KA-A0004	US26	51024	25	6/5	\$14.70
BDB510L	021919510305	1-1/8"	KD	US26	51030	25	6/5	\$14.70
BDB510L	021919510312	1-1/8"	KA-A0001	US26	51031	25	6/5	\$14.70
BDB510L	021919510329	1-1/8"	KA-A0002	US26	51032	25	6/5	\$14.70
BDB510L	021919510336	1-1/8"	KA-A0003	US26	51033	25	6/5	\$14.70
BDB510L	021919510343	1-1/8"	KA-A0004	US26	51034	25	6/5	\$14.70

- **Material:** Zinc die cast housing, brass plug & spindle
- **Operation:** Push key and turn to desired position for locking and unlocking. Key removeable at various locations depending on mounting configurations.
- **Specifications:** Tubular cam lock available with removeable style cam only. Engineered for use in metal or fiberglass products.
- **Mechanism:** 7 Pin tumbler mechanism utilizing a tubular key which offers over 750,000 combinations.
- Various cams, rotations, key pulls and finishes.
- Available keyed-alike or keyed-different in multiple lengths.
- Master Keying available with 3,000 piece minimum

Package Includes:

- (1) (7 Pin) cylinder (w / key pulls at 12, 3, and 9 positions)
- (2) keys (KA or KD)
- (1) Straight cam 1-1/8"
- (1) Straight cam 7/8"
- (1) Offset cam 1-1/8" (1/8" offset)
- (1) Offset cam 1-1/8" (1/4" offset)
- (1) 90 Degree stop cam
- (1) 180 Degree stop cam
- (1) cam securing hex nut
- (1) cam securing lock

C520L Die Cast Brass Tubular Cam Lock

PIN TUMBLER Cannot be Masterkeyed

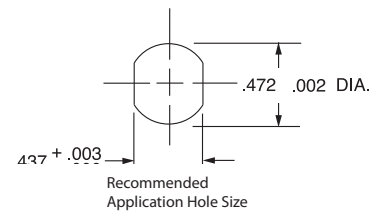
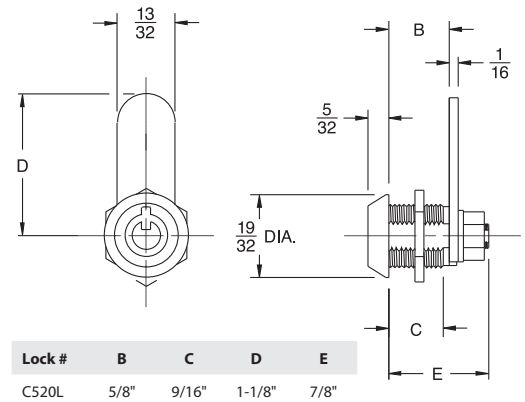
Part#	Length	Keyed	Master Keyed	Finish	MFT PT #	Stock Quantity	Boxed Weight lbs/oz	MSRP
Stock Items:								
C520L	5/8"	KA601		US26	52001	10	.9/0	\$8.40
C520L	5/8"	KD		US26	52020	10	.9/0	\$8.40



- **Material:** Zinc die cast
- **Operation:** Push key and turn 90 degrees to desired position for locking and unlocking. Key removeable at 12:00 position only.
- **Specifications:** Miniature tubular cam lock with removable style cam only. Engineered for use in metal or fiberglass products.
- **Mechanism:** 4 Pin tumbler mechanism utilizing a tubular key which offers 150 combinations.
- Compact Design – Fits Tight Spaces
- Standard chamfered head design

All in-stock Tubular Cam Locks supplied with the following hardware:

- 7/8" Straight Cam
- 1-1/8" Straight Cam
- 1-1/8" X 1/8" Offset Cam
- 1-1/8" X 1/4" Offset Cam
- 90° Stop Plate
- 180° Stop Plate
- Cam Hex Nut
- Lock-washer



Cam Locks



C1091A Miniature Cam Lock Package

DISC TUMBLER Cannot be Masterkeyed

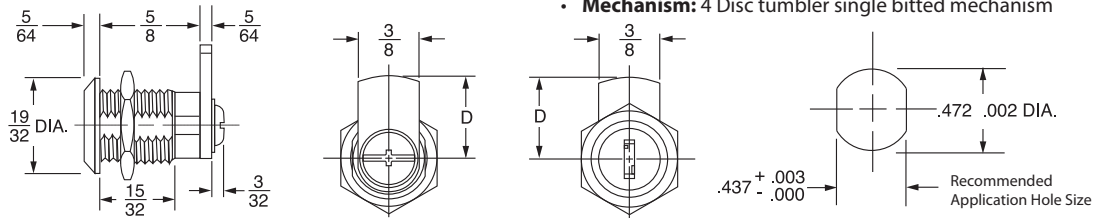
Part#	Length	Keyed	Master Keyed	Finish	MFT PT #	Stock Quantity	Boxed Weight lbs/oz	MSRP
-------	--------	-------	--------------	--------	----------	----------------	---------------------	------

Stock Items:

C1091A	5/8"	KA to 105		US14	10911	10	.7/0	\$10.50
C1091A	5/8"	KD		US14	10910	10	.7/0	\$10.50

- Compact design – fits tight spaces
- 20 combinations available
- Available keyed alike or keyed different
- **Material:** Zinc die cast cylinders
- **Specifications:** Miniature cam lock available with removable style cam only. Engineered for use in metal or fiberglass products
- **Mechanism:** 4 Disc tumbler single bitted mechanism

Lock #	D
C1091A	1-1/8"



Miniature Wing Handles and Miniature Slot Locks

NEW Product Series

Part#	UPC Code	Length	Finish	Stock Quantity	Boxed Weight lbs/oz	MSRP
-------	----------	--------	--------	----------------	---------------------	------

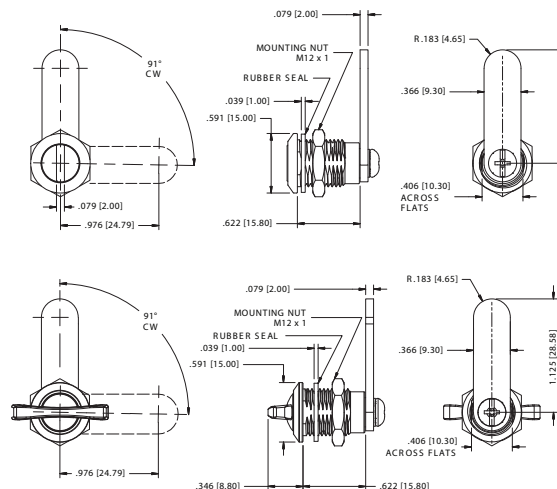
Stock Items:

DSL3092L-CHROME	021919003814	5/8"	US14	10	.7/0	\$10.50
DSL3092L-BLACK	021919003838	5/8"		10	.7/0	\$10.50
DSL3092L-NICKEL	021919003821	5/8"	US15	10	.7/0	\$10.50
DTL3091L-CHROME	021919003784	5/8"	US14	10	.7/0	\$10.50
DTL3091L-BLACK	021919003807	5/8"		10	.7/0	\$10.50
DTL3091L-NICKEL	021919003791	5/8"	US15	10	.7/0	\$10.50

- Non-locking ¼ turn solution
- Easy operation using thumb and finger (DTL3091 Series)
- Easy operation with a screw driver or coin (DSL3092 Series)
- Small size fits into tight spaces
- Internal O-ring
- Ball and spring detent
- Suitable for outdoor and indoor application

All In-Stock Cam Locks Supplied with following Hardware:

- Cam Screw
- Mounting Nut
- 1-1/8" x 11/32" Offset Cam
- 1-1/8" Straight Cam
- Key pulls at 12:00 and 3:00 positions
- 90 degree rotation



CK2113 | CK3113 | CK4113 Rotary Combination Cam Lock

Part#	Length	Keyed	Finish	MFT PT #	Stock Quantity	Boxed Weight lbs/oz	MSRP
-------	--------	-------	--------	----------	----------------	---------------------	------

Stock Items:

CK2113CD	5/8"	CD	Zinc	03211	10	2/2	\$13.65
CK2113CA	5/8"	CA	Zinc	03230	10	2/2	\$13.65
CK3113CD	7/8"	CD	Zinc	03212	10	2/4	\$15.23
CK3113CA	7/8"	CA	Zinc	03231	10	2/4	\$15.23
CK4113CD	1-1/8"	CD	Zinc	03213	10	2/6	\$16.28
CK4113CA	1-1/8"	CA	Zinc	03232	10	2/6	\$16.28

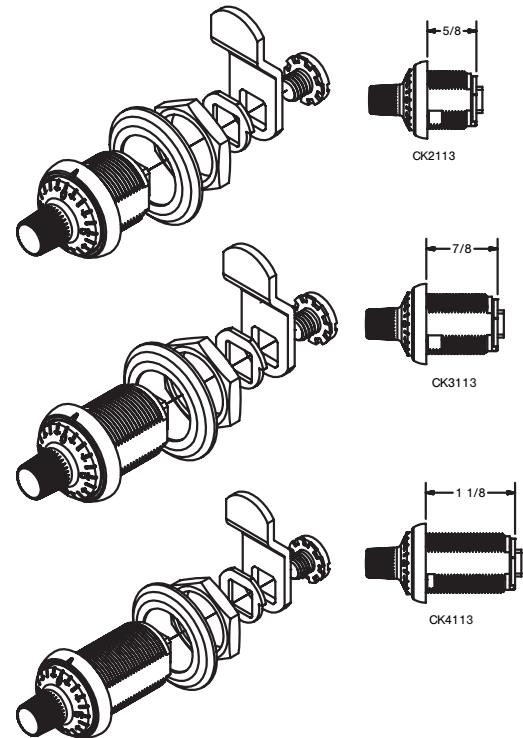


CK4114

- **Vault Knob:** Die-cast zinc; zinc and yellow chromate-finished, then black polyurethane painted, plus over painted white numbers
- **Shell:** Die-cast zinc; polished plus copper and nickel-plated
- **Cylinder & Mounting Nut:** Die-cast zinc; zinc and clear chromate-finished
- **Combination Discs:** Carbon steel; case-hardened and nickel-plated



CK4114



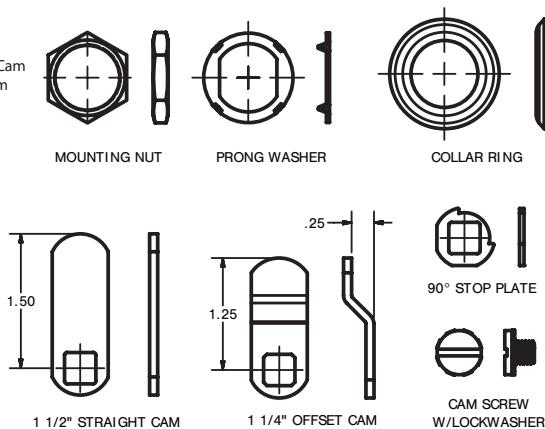
CK2113

CK3113

CK4113

Contents

- Screw Lockwasher
- COF25001/4" Offset Cam
- CFL1500 Straight Cam
- 90° Stop Cam
- 3/4" Cylinder Nut
- Pronged Washer
- Collar Ring



MOUNTING NUT

PRONG WASHER

COLLAR RING

90° STOP PLATE

CAM SCREW W/LOCKWASHER

1 1/2" STRAIGHT CAM

1 1/4" OFFSET CAM

Cam No.	Cam Length	CK2113			CK3113			CK4113		
		B	B ¹	B ⁰	B	B ¹	B ⁰	B	B ¹	B ⁰
CFL1500	1-1/2"	5/8"			7/8"			1-1/8"		
COF2500	1-1/4"		3/8"	7/8"		5/8"	1-1/8"		7/8"	1-3/8"

Cam Locks

390XX Series Dial Combination Cam Lock

» **NEW** Product Series



39052

Part#	UPC Code	Length	Keyed	Master Keyed	Finish	MFT PT #	Stock Quantity	MSRP
-------	----------	--------	-------	--------------	--------	----------	----------------	------

Stock Items:

39051	021919390518	3/4"	3 Dials	1,000	Chrome	39051	25	\$11.55
39052	021919390525	15/16"	3 Dials	1,000	Chrome	39052	25	\$12.08
39053	021919390532	1-7/32"	3 Dials	1,000	Chrome	39053	25	\$12.60
39021	021919390211	3/4"	3 Dials	1,000	Black	39021	25	\$11.55
39022	021919390228	15/16"	3 Dials	1,000	Black	39022	25	\$12.08
39023	021919390235	1-7/32"	3 Dials	1,000	Black	39023	25	\$12.60

- Secure with 1,000 Possible Combinations
- Durable All-metal Construction
- Easy to Use and Recombine
- Housing: Zinc alloy diecast
- Bright chrome plated standard
- Multiple Rotations

Best Used For:

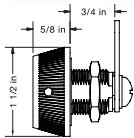
- Works in any application that has a standard keyed cam lock
- Metal/non-metal wooden doors
- Cabinets
- Boxes
- Drawers



39022

39051

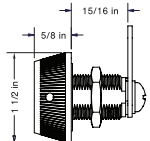
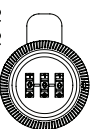
39051
39021



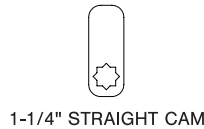
39051 • 39021
3/4" CAM LOCK



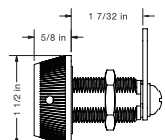
39052
39022



39052 • 39022
15/16" CAM LOCK



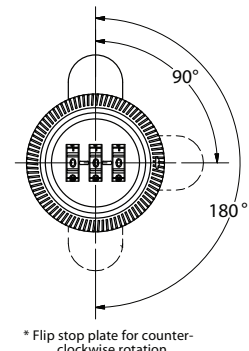
39053
39023



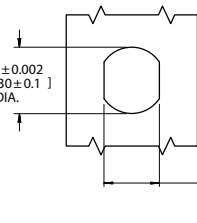
39053 • 39023
1-7/32" CAM LOCK



Cam Rotation and Installation:



.760 ± 0.002
[19.30 ± 0.1]
DIA.



59020 | 59021 | 59022 Padlockable Cam Lock

NEW Product Series

Part#	UPC Code	Length	Keyed	Master Keyed	Finish	MFT PT #	Stock Quantity	MSRP
Stock Items:								
59020	021919590208	1-3/4"			Chrome	59020	25	\$11.55
59021	021919590215	1-3/4"			Black	59021	25	\$11.55
59022	021919590222	1-3/4"			Brass	59022	25	\$11.55
Made-to-Order Items:								
S58		5/8"	Straight Cam		Zinc	S58		\$1.10
S78		7/8"	Straight Cam		Zinc	S78		\$1.10
S125		1-1/4"	Straight Cam		Zinc	S125		\$1.10
S150		1-1/2"	Straight Cam		Zinc	S150		\$1.10
S175		1-3/4"	Straight Cam		Zinc	S175		\$1.10
S200		2"	Straight Cam		Zinc	S200		\$1.10
S225		2-1/4"	Straight Cam		Zinc	S225		\$1.10
F100-25		1"	Offset Cam	1/4"	Zinc	F100-25		\$1.10
F125-25		1-1/4"	Offset Cam	1/4"	Zinc	F125-25		\$1.10
F118-18		1-1/8"	Offset Cam	1/8"	Zinc	F118-18		\$1.10
F138-38		1-3/8"	Offset Cam	3/8"	Zinc	F138-38		\$1.10
F150-25		1-1/2"	Offset Cam	1/4"	Zinc	F150-25		\$1.10
F178-50		1-7/8"	Offset Cam	1/2"	Zinc	F178-50		\$1.10



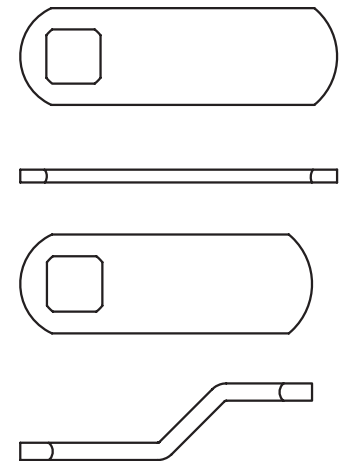
59020

- Fits standard lock mounting holes
- Retrofits any DCP padlockable cam lock latch
- Accepts padlocks with shackle diameter up to 3/8"
- Functions on doors and drawers
- Ideal for locker applications
- Max. material thickness: 1-1/8"
- Barrel diameter: 3/4"

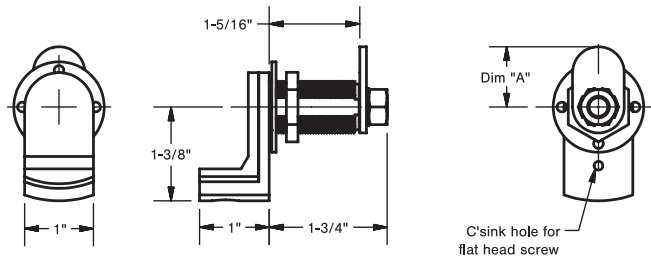
- Available in 3 finishes:
US3 - Bright Brass, Stock ID # 59022
US19 - Black, Stock ID # 59021
US26 - Bright Chrome, Stock ID # 59020

Best used for:

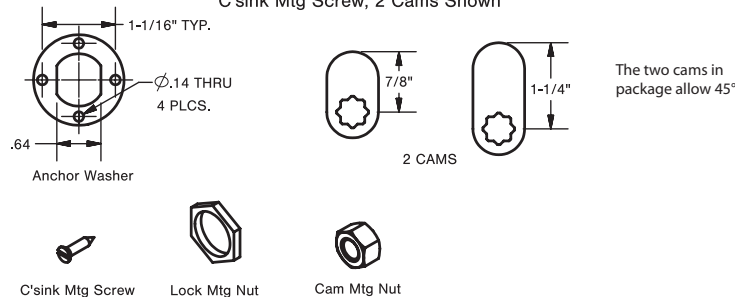
- Apartments, Condominiums, Schools, Lobbies



Drawings above represent accessory cams



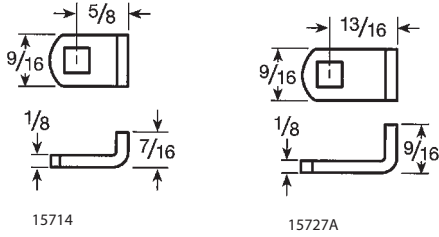
Included Hardware: Anchor Washer, Lock Mtg Nut, Cam Mtg Nut, C'sink Mtg Screw, 2 Cams Shown



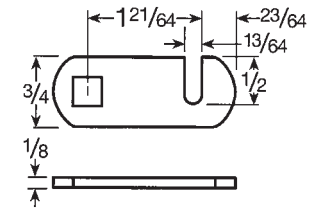
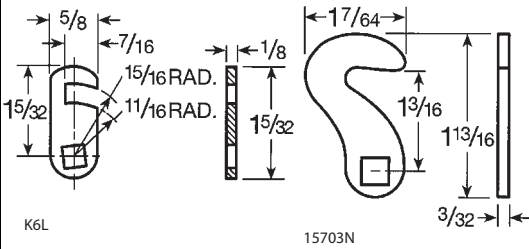
Cam Locks

Cams – Bent | Straight | Offset | Hook

Bent Cams

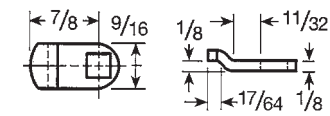


Hook Cams

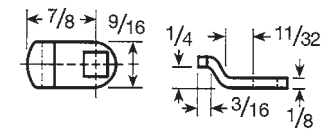


15751A

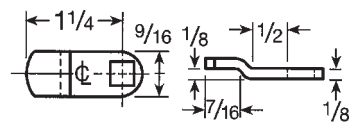
Offset Cams



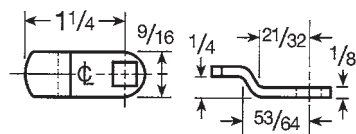
C3S / C5S



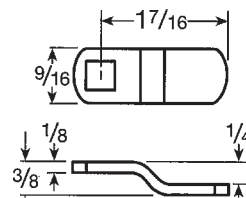
C4S / C6S



C3SL / C5L



C4L/C6L



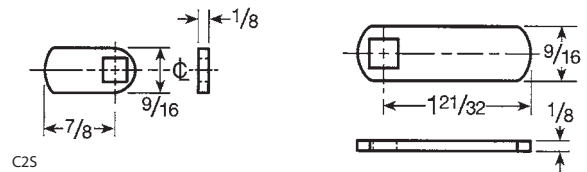
15751E

Part#	Length / Description	Finish	MFT PT #	Stock Quantity	Boxed Weight lbs/oz	MSRP
Made-to-Order Items:						
15714	5/8" 7/16" Bent Cam	Zinc	346F7780002G	100		\$1.44
15727A	13/16" 9/16" Bent Cam	Zinc	231F9480002G	100		\$1.44
K6L	1- 5/32" Hook Cam	Zinc	141F0080002G	100		\$1.44
15751A	1-21/64" Hook Cam	Zinc	119F1080002G	100		\$1.44
15703N	1-7/64" Hook Cam	Zinc	330F6480002G	100		\$1.44
C3S / C5S	7/8" with 1/8" Offset Cam	Zinc	026F1880002G	100		\$1.44
C3L / C5L	1-1/4" with 1/8" Offset Cam	Zinc	026F1980002G	100		\$1.44
C4S / C6S	7/8" with 1/4" Offset Cam	Zinc	026F2080002G	100		\$1.44
C4L / C6L	1-1/4" with 1/4" Offset Cam	Zinc	026F2180002G	100		\$1.44
15751E	1-7/16" with 3/8" Offset Cam	Zinc	234F7180002G	100		\$1.44
C2S	7/8" Straight Cam	Zinc	026F1780002G	100		\$1.44
C2L	1-14" Straight Cam	Zinc	168F4380002G	100		\$1.44
15751EA	1-17/32" Straight Cam	Zinc	Z34F7280002G	100		\$1.44
15751EB	1-21/32" Straight Cam	Zinc	119F8780002G	100		\$1.44
15751EC	5/8" Straight Cam	Zinc	142F6280002G	100		\$1.44
15751ED	1-1/8" Straight Cam	Zinc	142F6380002G	100		\$1.44

Part No. US2G

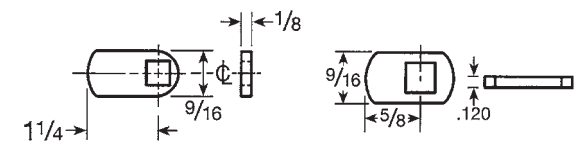
C2L	.
C2S	.
C3L	.
C3S	.
C4L	.
C4S	.
C5L	.
C5S	.
C6L	.
C6S	.
K6L	.
15703N	.
15714	.
15727A	.
15751A	.
15751E	.
15751EA	.
15751EB	.
15751EC	.
15751ED	.

Straight Cams



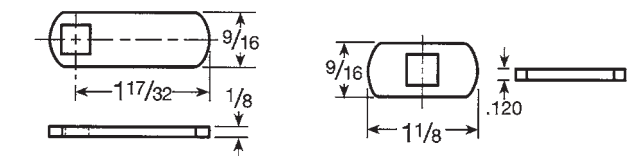
C2S

15751EB



C2L

15751EC



15751EA

15751ED

Weather Resistant Cam Lock **>> NEW** Product Series

Part#	UPC Code	Length	Keyed	Key# (stamped on key)	Finish	MFT PT #	Stock Quantity	Boxed Weight lbs/oz	MSRP
Stock Items:									
WRC-62200	021919622008	7/8"	KA	203R	US14	62200	25	5/9	\$10.50
WRC-62201	021919622015	7/8"	KA	208R	US14	62201	25	5/9	\$10.50
WRC-62202	021919622022	7/8"	KA	209R	US14	62202	25	5/9	\$10.50
WRC-62203	021919622039	7/8"	KA	212R	US14	62203	25	5/9	\$10.50
WRC-62204	021919622046	7/8"	KA	200R	US14	62204	25	5/9	\$10.50
WRC-62205	021919622053	5/8"	KA	203R	US14	62205	25	5/9	\$10.50
WRC-62206	021919622060	5/8"	KA	208R	US14	62206	25	5/9	\$10.50
WRC-62207	021919622077	5/8"	KA	200R	US14	62207	25	5/9	\$10.50
WRC-62208	021919622084	5/8"	KA	209R	US14	62208	25	5/9	\$10.50
WRC-62209	021919622091	5/8"	KA	212R	US14	62209	25	5/9	\$10.50
WRC-62214	021919622145	7/8"	KD	200R-399R	US14	62214	25	5/9	\$10.50
WRC-62217	021919622176	5/8"	KD	200R-399R	US14	62217	25	5/9	\$10.50
C622-KEYBLANKS						C622-KEYBLANKS	50		\$0.74

- 5/8" or 7/8" diecast camlock, keyed alike or different
- Used for any outdoor application requiring resistance to water intrusion, dust, salt, and extreme temperatures.
- Stainless steel dust shutter and internal o-ring prevents water penetration through the lock. Includes rubber gasket to provide water-tight seal under head of lock allowing no moisture to enter enclosure.
- Long lasting chrome over double nickel finish with stainless steel capped lock head and face for superior weather resistance.
- 5 Disc tumbler - single bitted mechanism.
- Automotive style dust shutter
- Automotive style reversible key with optional plastic over molding
- 200 Key changes
- 90°/180°, clockwise/counter-clockwise cam rotation options.
- Supplied with selection of three cams, two stop plates, mounting nut, trim washer, rubber gasket and cam screw. Includes two ringed keys.

KA codes:

200R (PN: 62204/62207)(1-2-0-2-1)(read bow-to-tip)
 203R (PN: 62200/62205)(2-0-1-0-2)
 208R (PN: 62201/62206)(0-2-0-1-2)
 209R (PN: 62202/62208)(1-0-1-0-2)
 212R (PN: 62203/62209)(0-1-0-2-1)

KEY CUTS (Bitting):

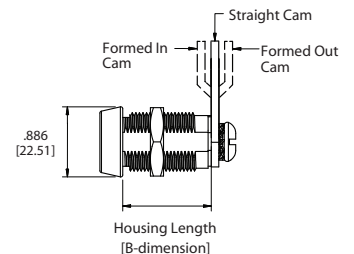
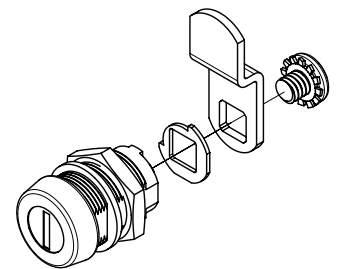
0 = 7.0mm
 1 = 5.5mm
 2 = 4.0mm

CUT SPACING = .157-.256-.354-.453-.551

These are single-bitted (reversible keys)



62207



Cam Locks

82010 | 82011 | 82013 | 82014 | 820-3950 Mailbox Lock **NEW** Product Series



82010



82011



82013 & 82014



MBL820-3950



MBLCAM-RIO3950

Part#	UPC Code	Keyed	Finish	MFT PT #	Stock Quantity	Boxed Weight lbs/oz	MSRP
-------	----------	-------	--------	----------	----------------	---------------------	------

Stock Items:

MBL82010	021919820107	KD	US14	82010	25	5/9	\$8.39
MBL82011	021919820114	KD	US14	82011	25	5/9	\$8.39
MBL82013	021919820138	KD	US14	82013	25	5/9	\$12.60
MBL82014	021919820145	KD	US14	82014	25	5/9	\$12.60
MBL820-3950	021919004200	KD	US14	820-3950	25	5/4	\$6.99
MBLCAM-RIO3950					50		\$7.00
S7124	021919003722		US14	S7124	25		\$2.10

Formed Hook Cam for 82013/82014

MBL82010 | MBL82011

- **Interior:** Nut or clip mounted.
- Key removable in locked position only.
- Supplied with selection of five cams, two keys, mounting nut, mounting clip, lock washer and cam screw.
- **Exterior:** Stainless steel dust shuttered keyway helps to prevent water penetration into the lock.
- Speed clip mounting of lock for fast assembly onto mailbox.
- Key removable in locked position only.
- Supplied with selection of five cams, two keys, mounting clip, lock washer and cam screw.
- CCL Security Mailbox Locks use the National D4292, or Ilco 1069LB

MBL82013 | MBL82014

- Stainless steel dust shuttered keyway helps to prevent water penetration into the lock.
- 90° clockwise cam turn (MBL82013) or 90° counter clockwise cam turn (MBL82014) to open.
- Key removable in locked position only.
- Speed clip mounting of lock for fast assembly onto mailbox.
- Supplied with three keys, mounting clip, lock washer and cam nut, and formed hook cam.
- 1,000 key changes
- CCL Security Mailbox Locks use the National D4292, or Ilco 1069LB

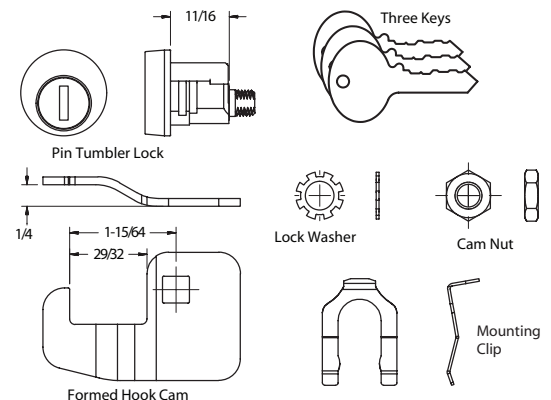
MBL820-3950

- **Interior:** Nut or clip mounted.
- Key removable in locked position only.
- Supplied with 1 cam, two keys, mounting nut, mounting clip, lock washer and cam screw.
- CCL Security Mailbox Locks use the National D4292, or Ilco 1069LB

Best Used in:

- Apartments, Condominiums, Schools, Lobbies, Pedestal-mounted neighborhood boxes (exterior)

82013/82014 come with the attached contents:



New



Fits Into Latest Application Hole Design

New added feature



650 | 651 Series Cam Lock **NEW** Product Series

Part#	UPC Code	Keyed, Key Numbers	Lock size*	Lock Series	Stock Quantity	MSRP
65101	021919651015	KA-C415A	7/16"	C651XS	25	\$6.83
65001	021919650018	KA-C415A	5/8"	C650S	25	\$6.83
65002	021919650025	KA-C415A	7/8"	C650M	25	\$6.83
65003	021919650032	KA-C415A	1-1/8"	C650L	25	\$6.83
65102	021919651022	KA-8025	7/16"	C651XS	25	\$6.83
65004	021919650049	KA-8025	5/8"	C650S	25	\$6.83
65005	021919650056	KA-8025	7/8"	C650M	25	\$6.83
65006	021919650063	KA-8025	1-1/8"	C650L	25	\$6.83
65103	021919651039	KD-700-724	7/16"	C651XS	25	\$6.83
65007	021919650070	KD-700-724	5/8"	C650S	25	\$6.83
65008	021919650087	KD-700-724	7/8"	C650M	25	\$6.83
65009	021919650094	KD-700-724	1-1/8"	C650L	25	\$6.83
65104	021919651046	KA-CH751	7/16"	C651XS	25	\$6.83
65010	021919650100	KA-CH751	5/8"	C650S	25	\$6.83
65011	021919650117	KA-CH751	7/8"	C650M	25	\$6.83
65012	021919650124	KA-CH751	1-1/8"	C650L	25	\$6.83
65105	021919651053	KA-LS300	7/16"	C651XS	25	\$6.83
65013	021919650131	KA-LS300	5/8"	C650S	25	\$6.83
65014	021919650148	KA-LS300	7/8"	C650M	25	\$6.83
65015	021919650155	KA-LS300	1-1/8"	C650L	25	\$6.83
65106	021919651060	KA-217	7/16"	C651XS	25	\$6.83
65016	021919650162	KA-217	5/8"	C650S	25	\$6.83
65017	021919650179	KA-217	7/8"	C650M	25	\$6.83
65018	021919650186	KA-217	1-1/8"	C650L	25	\$6.83
65107	021919651077	KA-221	7/16"	C651XS	25	\$6.83
65019	021919650193	KA-221	5/8"	C650S	25	\$6.83
65020	021919650209	KA-221	7/8"	C650M	25	\$6.83
65021	021919650216	KA-221	1-1/8"	C650L	25	\$6.83
65108	021919651084	KA-224	7/16"	C651XS	25	\$6.83
65022	021919650223	KA-224	5/8"	C650S	25	\$6.83
65023	021919650230	KA-224	7/8"	C650M	25	\$6.83
65024	021919650247	KA-224	1-1/8"	C650L	25	\$6.83
65109	021919651091	KA-237	7/16"	C651XS	25	\$6.83
65025	021919650254	KA-237	5/8"	C650S	25	\$6.83
65026	021919650261	KA-237	7/8"	C650M	25	\$6.83
65027	021919650278	KA-237	1-1/8"	C650L	25	\$6.83
65110	021919651107	KA-238	7/16"	C651XS	25	\$6.83
65028	021919650285	KA-238	5/8"	C650S	25	\$6.83
65029	021919650292	KA-238	7/8"	C650M	25	\$6.83
65030	021919650308	KA-238	1-1/8"	C650L	25	\$6.83

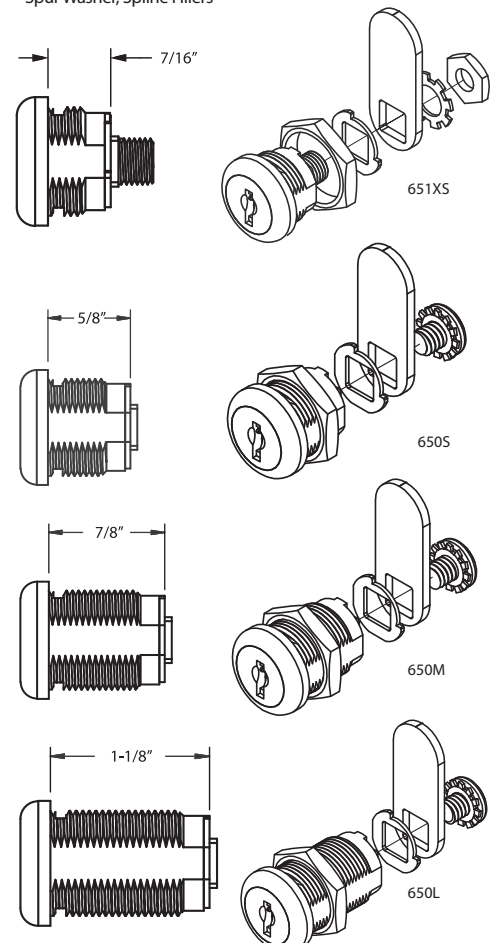
C610-Keys C610 key blank must be ordered with specific key code i.e. (C610-224). Key codes available: National (415A), CH751, Fort (217,221,224,237,238), Illinois Lock (8025), LSDA(300) \$0.74

Sold in Qty 50pc

* Dimensions are approximate +/- .039" (1mm)



- **Features the following Key Numbers:** National (415A), CH751, Fort (217,221,224,237,238), Illinois Lock (8025), LSDA(300)
- Economical die cast cam locks for every day use
- Various cams, rotations, key pulls and finishes
- Available keyed alike or keyed different in multiple lengths
- **Material and Finish:** Housing: Zinc Alloy
Finish: Bright Chrome US26 [standard]; Satin Nickel US15, Black E-coat optional
- **Mechanism:** 5 Disc tumbler single bitting mechanism which offers 200 combinations and master keying.
- Can be used in metal or wood application, easy to mount with supplied barrel nut.
- Used on drawers, cabinet doors, storage boxes, gun racks, chests, cashboxes, etc.
- Key Pull 90° rotation may be configured for one or two key pulls.
- All In-stock cam locks supplied with following Hardware: 180° Stop Plate, 90° Stop Plate, Cam Screw, Mounting Nut, 1-1/8" x 1/4" Offset Cam, 1-1/4" straight cam, Trim Washer, Spur Washer, Spline Fillers



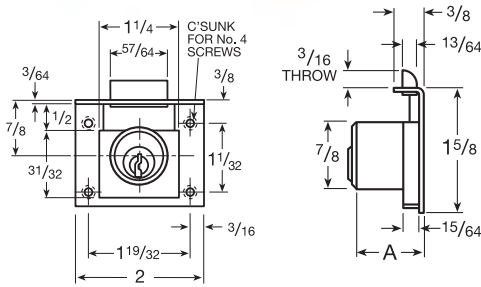
Drawer Locks



0666



0666 1/2

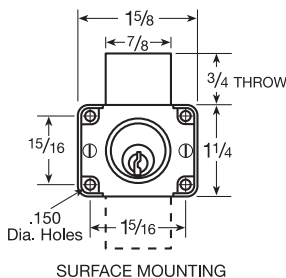
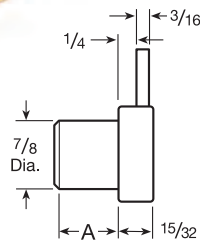


0666 | 0666 1/2 Drawer Locks

PIN TUMBLER Can be Masterkeyed

Part#	Length	Keyed	Finish	MFT PT #	Stock Quantity	Boxed Weight lbs/oz	MSRP
Stock Items:							
0666	7/8"	KD	US4	00124	10	3/3	\$34.65
0666	7/8"	KA 4T37526	US4	02698	10	3/3	\$34.65
0666 1/2	7/8"	KD	US4	00125	10	3/3	\$40.95
0666 1/2	7/8"	KA 4T37526	US4	02706	10	3/3	\$40.95
Made-to-Order Items:							
0666	7/8"		US4				\$38.85
0666	7/8"		US26D				\$38.85
0666 1/2	7/8"		US4				\$43.05
0666 1/2	7/8"		US26D				\$43.05
1005			US4	045F922			\$1.84
CCL21	Plastic Spacer for 7/8" diameter locks, 3/32" thickness, WP21 Olympus Conversion, 10 shelf pack						\$2.10
	Master Keying Charge						\$4.41

- **Material:** All brass
- **Keyways Available:** R1 & CR
- **Operation:** Reversible for either hand door
- **Rekeying:** Plug removal access hole added to allow for removal of plug assembly for rekeying purposes. To remove plug, insert key and rotate 90 degrees. Insert end of small tool (e.g., paper clip) into access hole and depress retainer while pulling key and plug out.
- **Strike No.:** Brass US4 only, furnished only when ordered; Strike 12s included for part number 0666; Strike 100S included for part number 0666 1/2
- **For Thickness of Material (A) Regular:** 7/8"
- **Key Blank No.:** 8618C-R1, 8618C-CR



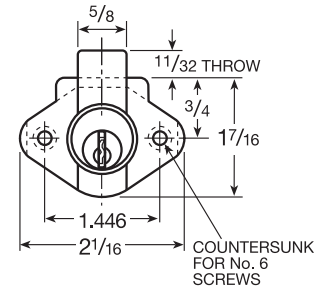
0738 Drawer Lock PIN TUMBLER Can be Masterkeyed

Part#	Length	Keyed	Master Keyed	Finish	MFT PT #	Stock Quantity	Boxed Weight lbs/oz	MSRP
Stock Items:								
0738	7/8"	KD		US4	00129	10	4/3	\$34.65
0738	7/8"	KA 4T37526		US4	02704	10	4/3	\$34.65
Made-to-Order Items:								
0738	3/4"			US4				\$44.10
0738	3/4"			US26				\$44.10
0738	3/4"			US26D				\$44.10
0738	7/8"			US4				\$42.00
0738	7/8"			US26				\$42.00
0738	7/8"			US26D				\$42.00
0738	1-1/8"			US4				\$42.00
0738	1-1/8"			US26				\$42.00
0738	1-1/8"			US26D				\$42.00
0738	1-3/8"			US4				\$42.00
0738	1-3/8"			US26				\$42.00
0738	1-3/8"			US26D				\$42.00
2540				US4	00196	25	0/4	\$1.84
CCL21	Plastic Spacer for 7/8" diameter locks, 3/32" thickness, WP21 Olympus Conversion, 10 shelf pack						\$2.10	
	Master Keying Charge						\$4.41	

02063 Drawer Locks

PIN TUMBLER Can be Masterkeyed

Part#	Length	Keyed	Master Keyed	Finish	MFT PT #	Stock Quantity	Boxed Weight lbs/oz	MSRP
Made-to-Order Items:								
02063	7/8"	KD		US4				Call Factory for Quote 100pc Min.
02063	7/8"	KA-4T37526		US4				Call Factory for Quote 100pc Min.
02063	7/8"			US4				Call Factory for Quote 100pc Min.
02063	7/8"			US26				Call Factory for Quote 100pc Min.
02063	7/8"			US26D				Call Factory for Quote 100pc Min.
02063	1-1/8"			US4				Call Factory for Quote 100pc Min.
02063	1-1/8"			US26				Call Factory for Quote 100pc Min.
02063	1-1/8"			US26D				Call Factory for Quote 100pc Min.
02063A	7/8"			US4				Call Factory for Quote 100pc Min.
02063A	7/8"			US26				Call Factory for Quote 100pc Min.
02063A	7/8"			US26D				Call Factory for Quote 100pc Min.
02063A	1-1/8"			US4				Call Factory for Quote 100pc Min.
02063A	1-1/8"			US26				Call Factory for Quote 100pc Min.
02063A	1-1/8"			US26D				Call Factory for Quote 100pc Min.



CCL21 Plastic Spacer for 7/8" diameter locks, 3/32" thickness, WP21 Olympus Conversion, 10 shelf pack \$2.10
 Master Keying Charge \$4.41
 Call Factory for Quote and Minimum Order Qty

- **Keyways Available:** R1 & CR
- **Material:** Pressure Cast Case, Steel Backplate and Bolt, Brass Cylinder and Plug
- **If longer bolt is required, specify 02063A (Bolt length unlocked: 1-1/8" from centerline of lock to end)**
- **Strike:** No. 7S, brass, US4 only, furnished only when ordered

02065 | 02065 1/2 Drawer Locks DISC TUMBLER 7/8"

Part#	Length	Keyed	Master Keyed	Finish	MFT PT #	Stock Quantity	Boxed Weight lbs/oz	MSRP
Stock Items:								
02065	7/8"	KD		US4	00152	25	5/14	\$9.45
02065	7/8"	KA CAT30		US4	02673	25	5/14	\$9.45
02065	7/8"	KA AUE1		US4	00153	25	5/14	\$9.45
02065	7/8"	KA CAT30		US26D	02674	25	5/14	\$9.45
K02065	7/8"	KD Carded		US4	00151	8	6/8	\$9.45
02065 1/2	7/8"	KD		US4	00155	25	6/0	\$9.45
02065 1/2	7/8"	KA CAT30		US4	02677	25	6/0	\$9.45
02065 1/2	7/8"	KA AUE1		US4	02678	25	6/0	\$9.45
02065 1/2	7/8"	KA CAT30		US26D	02679	25	6/0	\$9.45



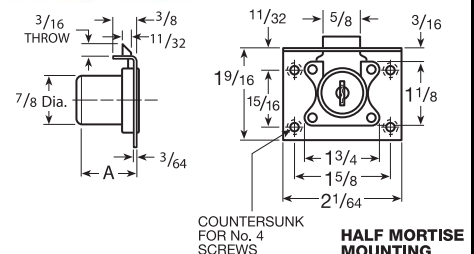
02065 Finish: US26D



02065

02065 1/2

Made-to-Order Items:								
02065	7/8"		Y	US4				\$10.50
02065	7/8"		Y	US26D				\$10.50
02065-1/2"	7/8"		Y	US4				\$10.50
02065-1/2"	7/8"		Y	US26D				\$10.50
265				US4	016F542			\$1.84



CCL21 Plastic Spacer for 7/8" diameter locks, 3/32" thickness, WP21 Olympus Conversion, 10 shelf pack \$2.10
 Master Keying Charge \$4.41

- 7/8" can be masterkeyed
- **Material:** Brass plated steel backplate, cylinder and bolt, pressure cast
- **Strike No.:** 7S, brass US4 only, furnished only when ordered
- **Rekeying:** Plug removal hole added to allow for removal of plug assembly for rekeying purposes. To remove plug, insert key and rotate 90 degrees. Insert end of small tool (e.g., paper clip) into access hole and depress retainer while pulling key and plug out.

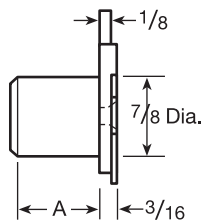
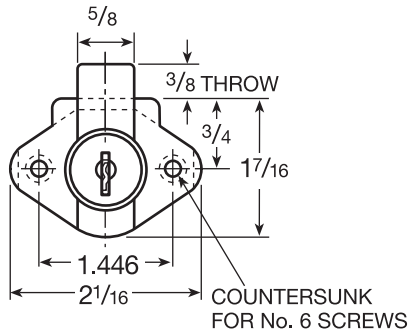
Drawer Locks



02068 Finish: US28D



02066



02066 Drawer Locks DISC TUMBLER Can be Masterkeyed

Part#	Length	Keyed	Master Keyed	Finish	MFT PT #	Stock Quantity	Boxed Weight lbs/oz	MSRP
Stock Items:								
02066	3/4"	KD		US4	00166	25	6/2	\$7.88
02066	3/4"	KA CAT30		US4	02676	25	6/2	\$7.88
02066	3/4"	KA AUE1		US4	00168	25	6/2	\$7.88
02066	3/4"	KA CAT30		US26D	02682	25	6/2	\$7.88
02066	7/8"	KD		US4	00160	25	6/2	\$7.88
02066	7/8"	KA CAT 30		US4	00162	25	6/2	\$7.88
02066	7/8"	KA CAT 60		US4	02680	25	6/2	\$7.88
02066	7/8"	KA AUE1		US4	00161	25	6/2	\$7.88
02066	7/8"	KD & MK 8003		US4	00165	25	6/2	\$7.88
02066	7/8"	KD		US26D	00163	25	6/2	\$7.88
02066	7/8"	KA CAT30		US26D	00164	25	6/2	\$7.88
02066	7/8"	KA CAT60		US26D	02644	25	6/2	\$7.88
K02066	7/8"	KD Carded		US4	00156	8	6/2	\$7.88
K02066	7/8"	KA Carded	CAT30	US4	00157	8	6/13	\$7.88
02066	1-1/8"	KD (AUE)		US4	00169	25	6/13	\$7.88
02066	1-1/8"	KA CAT30		US4	02687	25	6/13	\$7.88
02066	1-1/8"	KA CAT60		US4	02688	25	6/13	\$7.88
02066	1-1/8"	KA CAT30		US26D	02689	25	6/13	\$7.88
Made-to-Order Items:								
02066	7/8"		Y	US4				\$8.40
02066	7/8"		Y	US26D				\$8.40
02066B	7/8" 2" Bolt		Y	US4				\$12.60
02066B	7/8" 2" Bolt		Y	US26D				\$12.60
S16596	7/8" Gang Lock		Y	US4				\$26.25
S16596	7/8" Gang Lock		Y	US26D				\$26.25
02066	1-1/8"		Y	US4				\$8.40
02066	1-1/8"		Y	US26D				\$8.40
02066B	1-1/8" 2" Bolt		Y	US4				\$12.60
02066B	1-1/8" 2" Bolt		Y	US26D				\$12.60
2" Bolt	2"				120F902			\$3.15
CCL21	Plastic Spacer for 7/8" diameter locks, 3/32" thickness, WP21 Olympus Conversion, 10 shelf pack							\$2.10
	Master Keying Charge							\$4.41

- **Material:** Brass plated steel backplate and bolt, pressure cast cylinder
- If longer bolt is required, specify 02066B (Bolt length unlocked: 2" from centerline of lock to end). Gang lock
- **S16596:** 12" overall bolt length. Bolt extends from both ends of lock (Unlocked: 6.3" from top of lock; 4.2" from bottom of lock).
- **Strike No.:** 7S, brass US4 only, furnished only when ordered

02068 | 02068 1/2 Drawer Locks

DISC TUMBLER Cannot be Masterkeyed

Part#	Length	Keyed	Master Keyed	Finish	MFT PT #	Stock Quantity	Boxed Weight lbs/oz	MSRP
Stock Items:								
02068	7/8"	KD		US4	00180	25	6/13	\$9.45
02068	7/8"	KA CAT30		US4	02686	25	6/13	\$9.45
02068 1/2	7/8"	KD		US4	02691	25	6/13	\$9.45
02068 1/2	7/8"	KA CAT30		US4	02692	25	6/13	\$9.45
Made-to-Order Items:								
02068	7/8"			US4				\$10.50
02068	1-1/8"			US4				\$10.50
02068 1/2	7/8"			US4				\$10.50
02068 1/2	7/8"			US26D				\$10.50
CCL21	Plastic Spacer for 7/8" diameter locks, 3/32" thickness, WP21 Olympus Conversion, 10 shelf pack							\$2.10

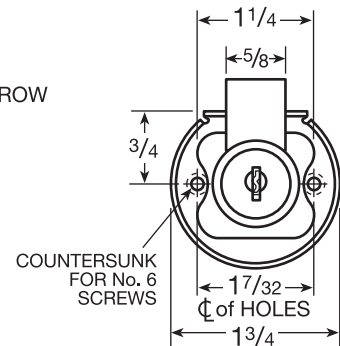
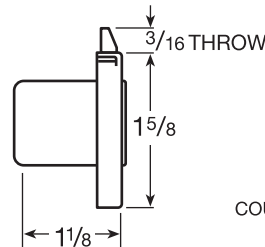
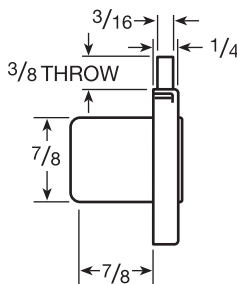


02068

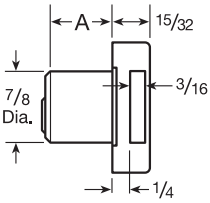
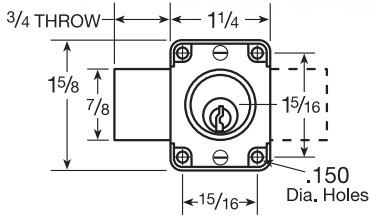


02068 1/2

- 7/8" can be masterkeyed
- 1-1/8" cannot be masterkeyed
- **Material:** Brass plated steel backplate, cylinder and bolt, pressure cast
- **Rekeying:** Plug removal hole added to allow of for removal of plug assembly for rekeying purposes. To remove plug, insert key and rotate 90 degrees. Insert end of small tool (e.g., paper clip) into access hole and depress retainer while pulling key and plug out.
- **Strike No.:** 7S, brass US4 only, furnished only when ordered



Cabinet Locks



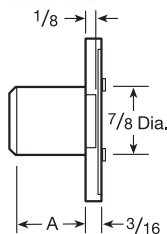
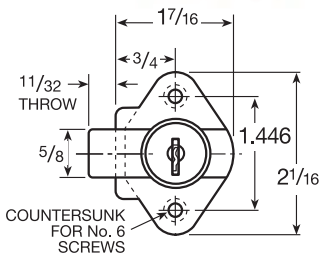
- Can be Masterkeyed
- Keyways Available: R1 & CR
- **Material:** Pressure Cast Case, Brass Cylinder
- **Operation:** Bolt moves right and left for either hand door
- **Strike:** No. 2540, brass, US4 only, furnished only when ordered

0737 Cabinet Lock PIN TUMBLER Can be Masterkeyed

Part#	Length	Keyed	Master Keyed	Finish	MFT PT #	Stock Quantity	Boxed Weight lbs/oz	MSRP	
Stock Items:									
0737	7/8"	KD		US4	00128	10	4/3	\$34.65	
0737	7/8"	KA 4T37526		US4	02708	10	4/3	\$34.65	
0737	1-1/8"	KA 4T37526		US4	02705	10	4/10	\$35.70	
Made-to-Order Items:									
0737	3/4"			US26				\$38.85	
0737	3/4"			US26D				\$38.85	
0737	7/8"			US4				\$38.85	
0737	7/8"			US26				\$38.85	
0737	7/8"			US26D				\$38.85	
0737	1-1/8"			US4				\$38.85	
0737	1-1/8"			US26				\$38.85	
0737	1-1/8"			US26D				\$38.85	
0737	1-3/8"			US4				\$38.85	
0737	1-3/8"			US26				\$38.85	
0737	1-3/8"			US26D				\$38.85	
2540 STRIKE				US4	00196		1/4	\$1.84	
CCL21	Plastic Spacer for 7/8" diameter locks, 3/32" thickness, WP21 Olympus Conversion, 10 shelf pack								\$2.10
	Master Keying Charge								\$4.41



02067
Finish US26D



02067 Cabinet Lock DISC TUMBLER Can be Masterkeyed

Part#	Length	Keyed	Master Keyed	Finish	MFT PT #	Stock Quantity	Boxed Weight lbs/oz	MSRP	
Stock Items:									
02067	7/8"	KD		US4	00171	25	6/2	\$8.40	
02067	7/8"	KA CAT 30		US4	00173	25	6/2	\$8.40	
02067	7/8"	KA CAT 60		US4	02696	25	6/2	\$8.40	
02067	7/8"	KA AUE 1		US4	00172	25	6/2	\$8.40	
02067	7/8"	KD&MK M8003		US4	02697	25	6/2	\$8.40	
02067	7/8"	KD (AUE)		US26D	00174	25	6/2	\$8.40	
02067	7/8"	KA CAT 30		US26D	02694	25	6/2	\$8.40	
02067	7/8"	KA CAT 60		US26D	02685	25	6/2	\$8.40	
02067	1-1/8"	KD (AUE)		US4	00177	25	6/13	\$8.40	
02067	1-1/8"	KA CAT 30		US4	02700	25	6/13	\$8.40	
02067	1-1/8"	KA CAT 60		US4	02701	25	6/13	\$8.40	
02067	1-1/8"	KA CAT 30		US26D	02702	25	6/13	\$8.40	
Made-to-Order Items:									
02067	3/4"			US4				\$9.45	
02067	7/8"			US4				\$9.45	
02067	7/8"			US26D				\$9.45	
02067	1-1/8"			US4				\$9.45	
02067	1-1/8"			US26D				\$9.45	
75 Strike				US4 Strike	00082	25	0/4	\$1.84	
CCL21	Plastic Spacer for 7/8" diameter locks, 3/32" thickness, WP21 Olympus Conversion, 10 shelf pack								\$2.10
	Master Keying Charge								\$4.41

Cabinet Locks

Combination Locks for Cabinet Doors

Part#	UPC Code	Description	MFT PT #	Stock Quantity	MSRP
-------	----------	-------------	----------	----------------	------

Stock Items:

D900	021919900007	US26D for Sheet metal Doors	90000	ea.	\$78.75
D901	021919901004	US26D for Wood Doors 5/8" - 7/8"	90100	ea.	\$78.75
D901		US4 for Wood Doors 5/8" - 7/8"	90101	ea.	\$78.75

- Wood or Metal Applications
- Easily Resettable Combinations
- Easy to Read Numbered Buttons
- Easy to Use Molded Thumb Turn
- Numerous Combinations Available
- Easily Retrofits Existing Locks
- User Friendly Installation Instructions
- Mechanical: No Batteries Needed
- Easily Adapted to Doors or Drawers
- Brushed Chrome and Brass Faceplates
- Latex Free for Hospital Use
- Stock Items Available



D900

Electronic Cabinet Lock **NEW** Product Series

Part#	Handing	H	W	D	Finish	Use/Mode	Stock Quantity	MSRP
-------	---------	---	---	---	--------	----------	----------------	------

Stock Items:

E901RSS	Horizontal	93mm	25mm	32mm	ABS Material	Standard Use/ Mode	ea.	\$82.95
E901R1S	Horizontal	93mm	25mm	32mm	ABS Material	One Time Use / Mode	ea.	\$82.95
E901VSS	Vertical	93mm	25mm	32mm	ABS Material	Standard Use/ Mode	ea.	\$82.95
E901V1S	Vertical	93mm	25mm	32mm	ABS Material	One Time Use / Mode	ea.	\$82.95
E902RSS	Horizontal	55mm	124mm	25mm	Silver Powder Coat	Standard Use/ Mode	ea.	\$150.00
E902R1S	Horizontal	55mm	124mm	25mm	Silver Powder Coat	One Time Use / Mode	ea.	\$150.00
E902VSS	Vertical	124mm	55mm	25mm	Silver Powder Coat	Standard Use/ Mode	ea.	\$150.00
E902V2S	Vertical	124mm	55mm	25mm	Silver Powder Coat	One Time Use / Mode	ea.	\$150.00
E903VMB	Vertical	120mm	37mm	21.5mm	Black Powder Coat	Multi-Use	ea.	\$169.00

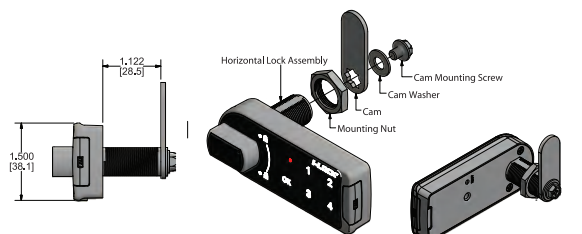
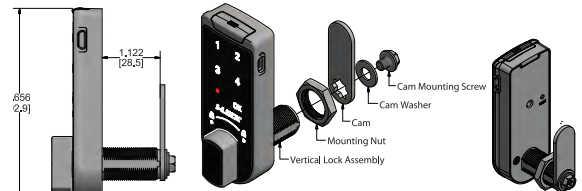


E901 & E902

- 4 button electronic lock with simple touch screen entry
- Use on metal and wood doors with thickness of 0.6mm-22mm
- Low power consumption with 1 year battery life powered by single button cell
- Made from UV protected ABS material
- 1 to 8 digit PIN code with 87,380 possible codes
- Standard single use mode or one time use mode (factory programmed)
- Audible alarm when incorrect code is entered 4 times
- Audible low battery warning when 200 cycles remain
- Standard Use – Enter a user code and it remains until re-set
- One time use – Enter a user code to lock and unlock only once
- Works in any application that has a standard keyed cam lock

E903

- Ideal for new installations, or a quick retrofit for keyed cam locks
- Suitable applications include: cabinets, cupboards, medical carts, lockers, etc.
- Keypad with 12 individual buttons (0-9, C, #)
- Easily programmable codes: 1 Master Code, 1 Sub-master Code, & 30 User Codes
- Configurable code length – 4 to 6 digits
- 15,000 operations on 2 x AAA batteries (included)
- Non-volatile memory
- Battery failure override using a 9V battery and Master Code
- Three Operation Modes available: Multiple User mode, Code Free mode, & Single Use Mode (locker mode)



Small Format Interchangeable Core

72 Series IC Core **NEW** Product Series



For Best style Interchangeable Core cylinders

***Stock Locks are NKR. To order KR please add -KR to the part number with exception of 72357/72347 that include KR set screw.**

Model/Series:
72 = SFIC

Style:
0 = Dead Latching
1 = Housing
2 = Ratchet
3 = Plunger/Deadbolt
4 = Cabinet
5 = Mortise/Deadbolt
6 = Mortise/Latchbolt
7 = Rim/Deadbolt
8 = Rim/Latchbolt
9 = Cam Lock

Option:
0 = None
1 = Door RH/LH multi-function
2 = Drawer VH/IH multi-function
3 = Door RH
4 = Door LH
5 = Drawer VH (top locking)
6 = Drawer IH (bottom locking)
7 or 8 = Brass Housing

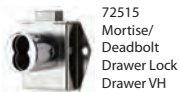
Function:
1 = Drawer Lock
2 = Door Lock
3 = DW/DR multi-function
4 = Sliding Door/TBM
5 = Sliding Door/Non-TBM

Part#	UPC Code	Style	Function	Option	Olympus Conversion	Best Conversion	Shelf Pack	MSRP
72412	021919724122	Cabinet	Drawer Lock	Drawer VH/IH multi-function	721DW	3L7RD2	10	\$36.75
72421	021919724214	Cabinet	Door Lock	Door RH/LH multi-function	721DR	N/A	10	\$36.75
72515	021919725150	Mortise/Deadbolt	Drawer Lock	Drawer VH (top locking)	725MD-DW-VH	5L7MD2	10	\$36.75
72516	021919725167	Mortise/Deadbolt	Drawer Lock	Drawer IH (bottom locking)	725MD-DW-IH	5L7MD5	10	\$36.75
72524	021919725242	Mortise/Deadbolt	Door Lock	Door LH	725MD-DR-LH	N/A	10	\$36.75
72523	021919725235	Mortise/Deadbolt	Door Lock	Door RH	725MD-DR-RH	N/A	10	\$36.75
72615	021919726157	Mortise/Latchbolt	Drawer Lock	Drawer VH (top locking)	725ML-DW-VH	5L7ML2	10	\$36.75
72616	021919726164	Mortise/Latchbolt	Drawer Lock	Drawer IH (bottom locking)	725ML-DW-IH	5L7ML5	10	\$36.75
72624	021919726249	Mortise/Latchbolt	Door Lock	Door LH	725ML-DR-LH	N/A	10	\$36.75
72623	021919726232	Mortise/Latchbolt	Door Lock	Door RH	725ML-DR-RH	N/A	10	\$36.75
72715	021919727154	Rim/Deadbolt	Drawer Lock	Drawer VH (top locking)	725RD-DW-VH	5L7RD2	10	\$36.75
72716	021919727161	Rim/Deadbolt	Drawer Lock	Drawer IH (bottom locking)	725RD-DW-IH	5L7RD5	10	\$36.75
72724	021919727246	Rim/Deadbolt	Door Lock	Door LH	725RD-DR-LH	N/A	10	\$36.75
72723	021919727239	Rim/Deadbolt	Door Lock	Door RH	725RD-DR-RH	N/A	10	\$36.75
72815	021919728151	Rim/Latchbolt	Drawer Lock	Drawer VH (top locking)	725RL-DW-VH	5L7RL2	10	\$36.75
72816	021919728168	Rim/Latchbolt	Drawer Lock	Drawer IH (bottom locking)	725RL-DW-IH	5L7RL5	10	\$36.75
72824	021919728243	Rim/Latchbolt	Door Lock	Door LH	725RL-DR-LH	N/A	10	\$36.75
72823	021919728236	Rim/Latchbolt	Door Lock	Door RH	725RL-DR-RH	N/A	10	\$36.75
72938	021919729387	Cam Lock	DW/DR multi-function	Brass Housing	720B		10	\$36.75
72357	021919723576	Plunger/Deadbolt	Sliding Door/Non-TBM-NKR/KR	Brass Housing	722S	2S	10	\$47.25
72347	021919723477	Plunger/Deadbolt	Sliding Door/TBM-NKR/KR	Brass Housing	722S-TBM	2S-TBM	10	\$47.25
72221	021919722210	Ratchet	Door Lock	Door RH/LH multi-function	729R	3S	10	\$36.75
72150	021919721503	Housing	Sliding Door/TBM	None	723IC	4S	10	\$31.50
72012	021919720124	Dead Latching	Drawer Lock	Drawer VH/IH multi-function	950IC	N/A	10	\$42.00

• Product of Taiwan; designed in Wheeling, Illinois



72412 Cabinet, Drawer Lock, Drawer VH/IH multi-function



72515 Mortise/Deadbolt, Drawer Lock, Drawer VH (top locking)



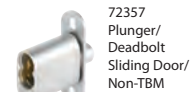
72623 Mortise/Latchbolt, Door Lock, Door RH



72716 Rim Deadbolt, Drawer Lock, Drawer IH (bottom locking)



72815 Rim/Latchbolt, Drawer Lock, Drawer VH (top locking)



72357 Plunger/Deadbolt, Sliding Door/Non-TBM Zinc Housing

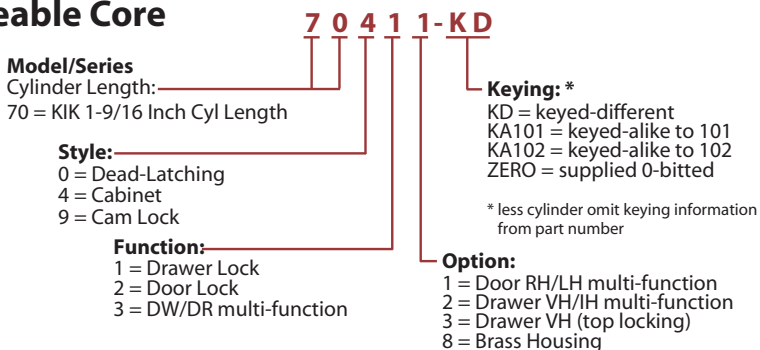


72221 Ratchet Door Lock, Door RH/LH multi-function

Key-in-Knob Interchangeable Core

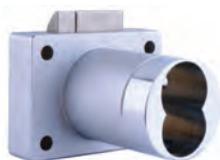
70 Series Key-in-Knob Interchangeable Core

» **NEW** Product Series



*Stock Locks are NKR. To order KR please add -KR to the part number

Part#	UPC Code	Style	Function	Option	Keyed	Olympus Conversion	Shelf Pack	MSRP
70013	021919004002	Dead-Latching	Drawer Lock	Drawer VH (top locking)	No Core	850SC	10	\$42.00
70013-KD	021919004019	Dead-Latching	Drawer Lock	Drawer VH (top locking)	KD	850SC	10	\$52.50
70013-KA101	021919004026	Dead-Latching	Drawer Lock	Drawer VH (top locking)	KA 101	850SC	10	\$52.50
70013-KA102	021919004033	Dead-Latching	Drawer Lock	Drawer VH (top locking)	KA 102	850SC	10	\$52.50
70013-ZERO	021919004040	Dead-Latching	Drawer Lock	Drawer VH (top locking)	0-Bit	850SC	10	\$52.50
70412	021919004057	Cabinet	Drawer Lock	Drawer VH/IH multi-function	No Core	800SC	10	\$42.00
70412-KD	021919004064	Cabinet	Drawer Lock	Drawer VH/IH multi-function	KD	800SC	10	\$52.50
70412-KA101	021919004071	Cabinet	Drawer Lock	Drawer VH/IH multi-function	KA 101	800SC	10	\$52.50
70412-KA102	021919004088	Cabinet	Drawer Lock	Drawer VH/IH multi-function	KA 102	800SC	10	\$52.50
70412-ZERO	021919004095	Cabinet	Drawer Lock	Drawer VH/IH multi-function	0-Bit	800SC	10	\$52.50
70421	021919004101	Cabinet	Door Lock	Door RH/LH multi-function	No Core	700SC	10	\$42.00
70421-KD	021919004118	Cabinet	Door Lock	Door RH/LH multi-function	KD	700SC	10	\$52.50
70421-KA101	021919004125	Cabinet	Door Lock	Door RH/LH multi-function	KA 101	700SC	10	\$52.50
70421-KA102	021919004132	Cabinet	Door Lock	Door RH/LH multi-function	KA 102	700SC	10	\$52.50
70421-ZERO	021919004149	Cabinet	Door Lock	Door RH/LH multi-function	0-Bit	700SC	10	\$52.50
70938	021919004156	Cam Lock	DW/DR multi-function	Brass Housing	No Core	820SC	10	\$42.00
70938-KD	021919004163	Cam Lock	DW/DR multi-function	Brass Housing	KD	820SC	10	\$52.50
70938-KA101	021919004170	Cam Lock	DW/DR multi-function	Brass Housing	KA 101	820SC	10	\$52.50
70938-KA102	021919004187	Cam Lock	DW/DR multi-function	Brass Housing	KA 102	820SC	10	\$52.50
70938-ZERO	021919004194	Cam Lock	DW/DR multi-function	Brass Housing	0-Bit	820SC	10	\$52.50



70013



70013-KD
70013-KA101
70013-KA102
70013-ZERO



70412



70421



70938-KD
70938-KA101
70938-KA102
70938-ZERO

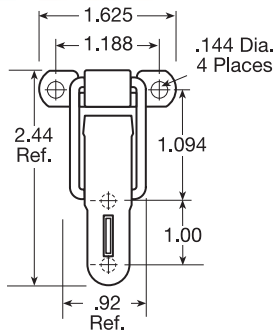
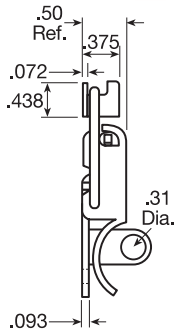
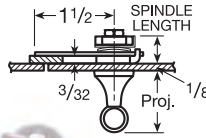


70938

Draw Pull Catches

250 | 250W | 641 | 642 | 643 | 794 Draw Pull Catch

250 | 250W Draw Pull Catch



Part#	Length	Keyed	Master Keyed	Finish	MFT PT #	Stock Quantity	Boxed Weight lbs/oz	MSRP
-------	--------	-------	--------------	--------	----------	----------------	---------------------	------

250, 250W Draw Pull Catch

Stock Items:

250				US2G	00107	25	2/3	\$4.10
-----	--	--	--	------	-------	----	-----	--------

Accessories:

S250 STRIKE				US2G				\$0.84
-------------	--	--	--	------	--	--	--	--------

641, 642, 643 Draw Pull Catch with Compression Strings

Stock Items:

641				US2G	00121		4/7	\$5.57
642				US2G	00122		5/3	\$6.20
643				US2G	00123		5/0	\$5.62

Accessories:

S641				US2G	040F0780002G			\$1.05
S644				US2G	040F3080002G			\$1.05

794 Draw Pull Catch

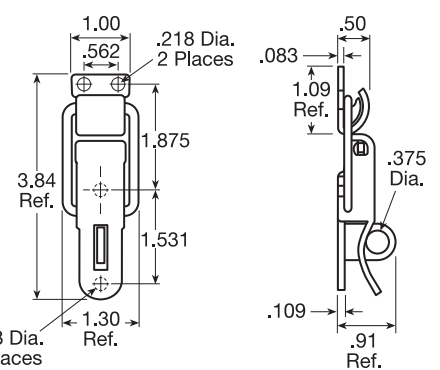
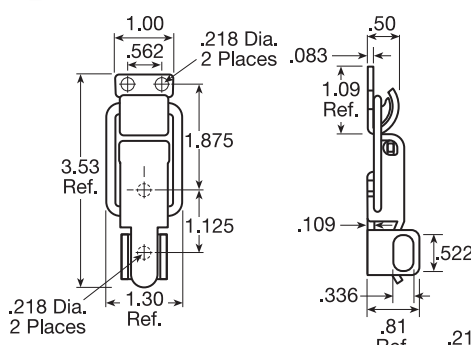
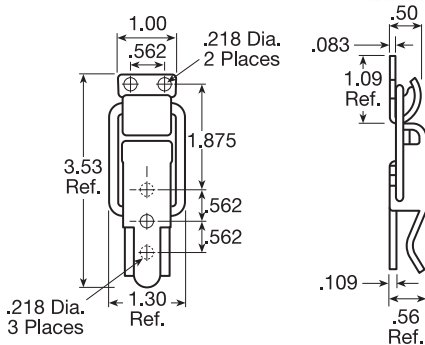
Stock Items:

794				US2G	00130	25	2/3	\$2.42
-----	--	--	--	------	-------	----	-----	--------

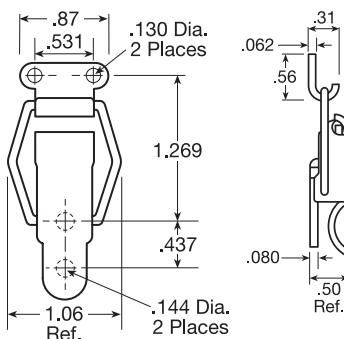
Accessories:

S794				US2G	032F5780002G			\$1.05
------	--	--	--	------	--------------	--	--	--------

641 | 642 | 643 Draw Pull Catch with Compression Springs



794 Draw Pull Catch



Made in USA

Draw Pull Catches

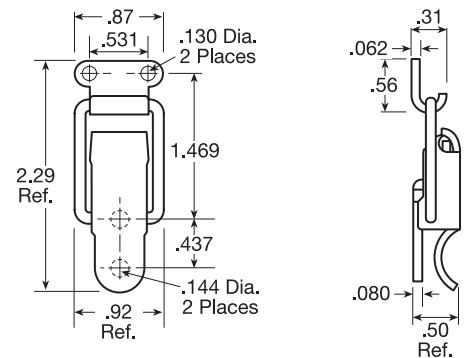
797 | 798 | Draw Pull Catch

Part#	Length	Keyed	Master Keyed	Finish	MFT PT #	Stock Quantity	Boxed Weight lbs/oz	MSRP
797, 0797, 797W Draw Pull Catch								
Stock Items:								
797				US2G	00131	25	1/7	\$2.42
0797		W/S/L		US3				\$3.26
Accessories:								
5794				US2G	032F5780002G			\$1.05
798 Draw Pull Catch (NO STRIKE INCLUDED)								
Stock Items:								
798				US2G	00132	25	1/7	\$2.42

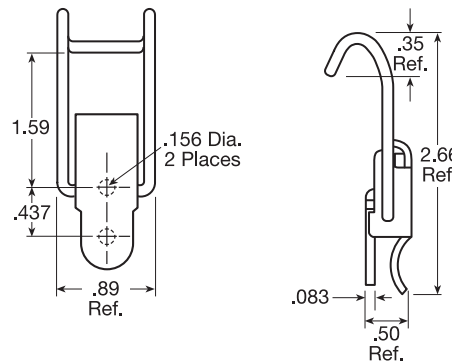
Made in USA



797 Draw Pull Catch



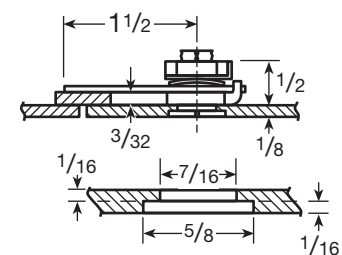
798 Draw Pull Catch (NO STRIKE INCLUDED)



2504 Flush Metal Catch

Part#	Length	Keyed	Master Keyed	Finish	MFT PT #	Stock Quantity	Boxed Weight lbs/oz	MSRP
Stock Items:								
2504	Catch			US26	00591	10	0/15	\$10.50
Made-to-order Items:								
2504				US10				\$10.50
2504				US26D				\$11.55
2506	Cam			US2G	135F8080002G			\$1.47
2506D	Ass'y Plate			US2G	106F968			\$1.26

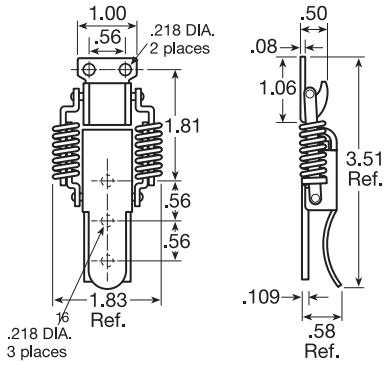
Made in USA



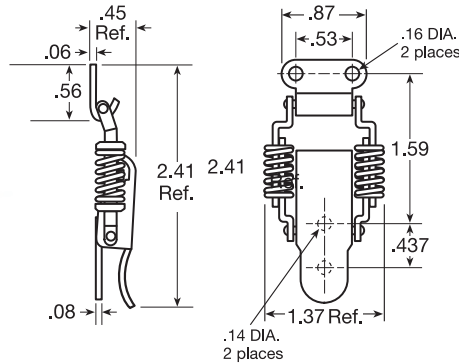
Compression Springs



804 Draw Pull Catch



824 Draw Pull Catch



Made in USA

804 | 824 Draw Pull Catches with Compression Springs

Part#	Length	Keyed	Master Keyed	Finish	MFT PT #	Stock Quantity	Boxed Weight lbs/oz	MSRP
-------	--------	-------	--------------	--------	----------	----------------	---------------------	------

804 Draw Pull Catch

Stock Items:

804				US2G	00134	25	4/0	\$12.60
-----	--	--	--	------	-------	----	-----	---------

Accessories:

5641				US2G	040F0780002G			\$1.05
------	--	--	--	------	--------------	--	--	--------

824 Draw Pull Catch

Stock Items:

824				US2G	00135	25	2/0	\$8.66
-----	--	--	--	------	-------	----	-----	--------

Accessories:

5794 Strike				US2G	032F5780002G			\$1.05
-------------	--	--	--	------	--------------	--	--	--------

834 | 834S | 834U Draw Pull Catches with Concealed Compression Springs



834 Draw Pull Catch

Part#	Length	Keyed	Master Keyed	Finish	MFT PT #	Stock Quantity	Boxed Weight lbs/oz	MSRP
-------	--------	-------	--------------	--------	----------	----------------	---------------------	------

834, 834S, 834U Draw Pull Catches – with Concealed Compression Springs

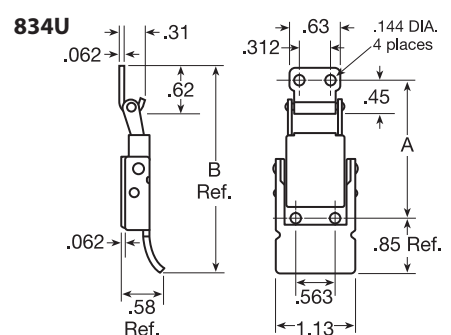
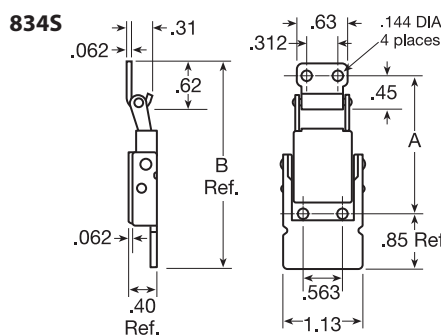
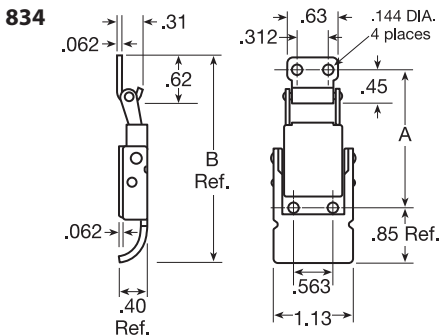
Stock Items:

834				US2G	03059	25	2/3	\$13.65
-----	--	--	--	------	-------	----	-----	---------

Accessories:

834S Strike				US2G				Call For Quote 1,000 pc Minimum
-------------	--	--	--	------	--	--	--	---------------------------------

Made in USA



Multi-Purpose Suitcase Catches

1771 | 1778 Multipurpose Suitcase Catches

Part#	Length	Keyed	Master Keyed	Finish	MFT PT #	Stock Quantity	Boxed Weight lbs/oz	MSRP
-------	--------	-------	--------------	--------	----------	----------------	---------------------	------

1771 & 1778 Catch – MULTIPURPOSE SUITCASE CATCHES

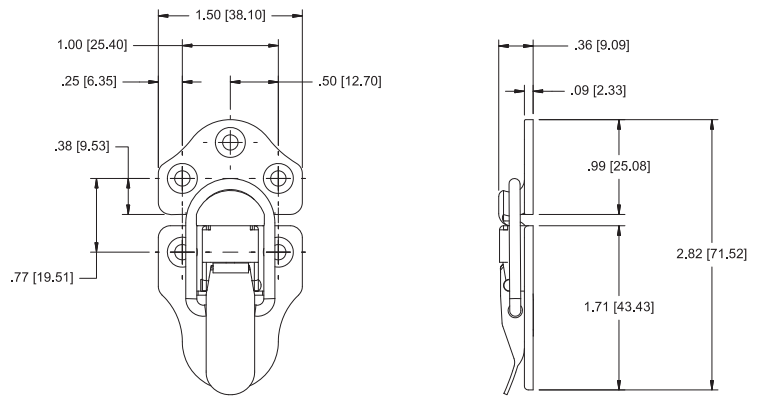
Stock Items:

1771				US3	00147	25	1/7	\$2.42
1771				US14	00148	25	1/7	\$2.42
1778				US3	00149	25	2/8	\$2.42
1778				US14	00150	25	2/8	\$2.42

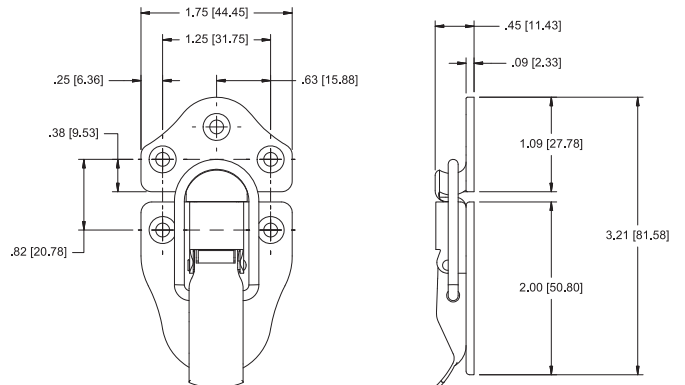
Made in USA



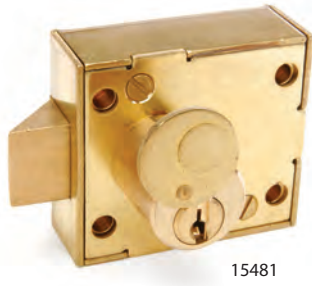
1771 Catch



1778 Catch



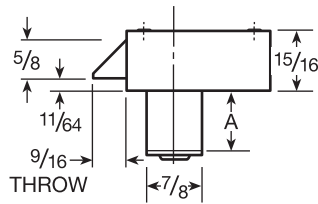
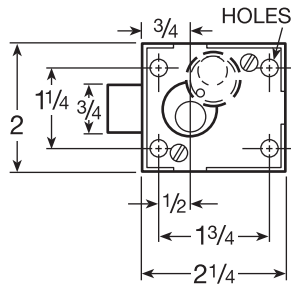
Enclosure Locks



15481



A15481



15481 Enclosure Lock PIN TUMBLER & WARDED

Part#	Handing	Description	Master Keyed	Finish	MFT PT #	Stock Quantity	Boxed Weight lbs/oz	MSRP
Stock Items:								
55481	RH	Latch Bolt	#2 Key Only	US2G	S11112			\$36.75
A55481	RH	Dead Bolt	#2 Key Only	US2G	S11111			\$36.75
15481	RS	Latch Bolt	#2 Key Only		15482			\$68.25
15481	LS	Latch Bolt	#2 Key Only		15484			\$68.25
A15481	RS	Dead Bolt	#2 Key Only		15483			\$68.25
A15481	LS	Dead Bolt	#2 Key Only		15485			\$68.25
<i>For large volume please contact factory for quote</i>								
Dust Cover						465F062		\$2.78
Made-to-Order Items:								
15481	RS-LS	Latch Bolt		US4				\$68.25
A15481	RS-LS	Dead Bolt		US4				\$68.25
Master Keying Charge								\$4.41

- 15481**
- Can be masterkeyed
 - Keyways Available: CR
 - **Material:** All Brass
 - **Operation:** 1/4 turn of key retracts latch bolt.
- Regularly furnished with Dust Cap to cover keyway. Also available without Dust Cap.
- 55481**
- Cannot be masterkeyed
 - **Material:** Zinc Die Cast
 - **Operation:** Available Right Hand, Keyed Alike #2 in CR Keyway Only

> Enclosure Lock Manufacture & Assembly Station Wheeling, Illinois.



15767 | 15768 | 15867 | 15868 Enclosure (Panelboard)

DISC TUMBLER Can be Masterkeyed

Part#	Handing	Description	Master Keyed	Finish	MFT PT #	Stock Quantity	Boxed Weight lbs/oz	MSRP
Stock Items:								
15767	RH	KA CAT45		US26D	00224	25	9/5	\$11.13
15767	RH	KA CAT60		US26D	00225	25	9/5	\$11.13
15768	Non-Locking			US26D	00226	25	9/5	\$7.35
15867 (Reversible) CAT60				US26D	00227	25	7/12	\$11.13
Made-to-Order Items:								
MK	must be added per lock							\$4.20
15767	RH/LH			US26D				\$12.18
15768RH	RH/LH NON-LOCKING			US26D				\$7.35
15867 (Reversible) CAT60				US26D				\$12.18
15868				US26D				\$9.24
Mounting Clip					199F838			\$1.31
Master Keying Charge								\$4.41



15767



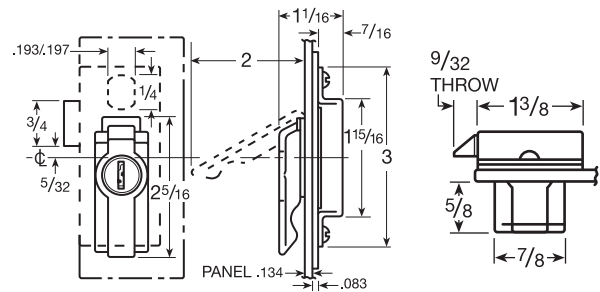
15867

15767 & 15768

- **Material:** Pressure Cast Lift Lever & Bolt, Steel Case, Zinc Plated Standard
- Regularly furnished right hand, left hand available when specified
- **Operation:** Self Latching. Latch bolt retracted by lifting up on lift lever except when lever is locked down by key. Key is removable in both locked and unlocked positions. 15768: same as 15767 except without key locking mechanism

15867 & 15868

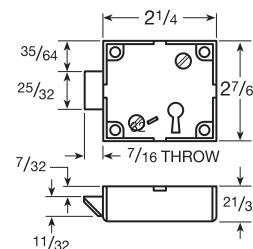
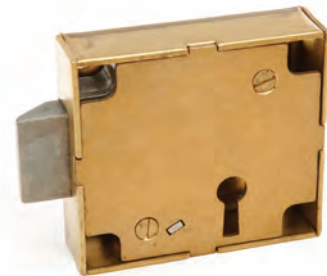
- **Material:** Pressure Cast Lift Lever, Steel Case, Zinc Plated Standard
- Reversible for right or left hand door
- **Operation:** Self Latching. Latch bolt retracted by lifting up on lift lever except when lever is locked down by key. Key is removable in either locked and unlocked positions. Easy installation with steel mounting clip 199F83. 15868: same as 15867 except without key locking mechanism



R357SGS Enclosure Lock

WARDED CONSTRUCTION

Part#	Handing	Description	Master Keyed	Finish	MFT PT #	Stock Quantity	Boxed Weight lbs/oz	MSRP
Stock Items:								
R357SGS	1 Short Key R4277			Brass	02612	10	4/6	\$39.48
R557SGS	1 Short Key R4277			Diecast	03192	10	4/12	\$22.05
R557SGS	2 Long Keys R4266			Diecast	05572	10	5/0	\$22.05
Made-to-Order Items:								
R357SGS	1 Long Key			Brass				\$39.48
R4266	Long Key			Brass	313F162			\$6.25
R4277	Short Key			Brass	313F142			\$6.25
R4266	Long Key	3-9/32"		Brass	02613	25	1/7	\$7.30
R4277	Short Key	2-25/64"		Brass	02614	25	1/3	\$8.35



R4266

R4277

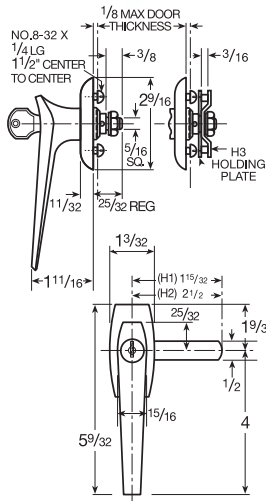
R357SGS

- Cannot be masterkeyed
- **Material:** Brass, Cast Zinc Alloy Bolt, Police Call Box Lock
- **Operation:** Self Latching, latch bolt retracted by key

R557SGS

- Cannot be masterkeyed
- **Material:** Zinc Die Cast Case & Bolt Furnished Right Hand Only
- **Operation:** Self Latching, latch bolt retracted by key

Disc Tumblers



- Material:** Pressure Cast Handle, Steel Zinc Plated Spindle
- Operation:** Furnished for one, two or three point locking, right or left hand doors, with 90 or 180 degrees rotation (90 deegred RH regularly furnished)
- Cam Positioning:** Square spindle allows cams to be mounted at 12, 3, 6, and 9 o'clock
- Rods and Guides:** Not furnished
- Spindle Length:** Regularly furnished 25/32" and 3 1/2" long (measured from back of escutcheon). Also available in 1/4" increments from 1" to 3 1/2".
- Surface Mounting:** In addition to mounting shown, handles are available with attaching holes through face of escutcheon for surface mounting - 1 1/2" c. to c., countersunk for #10-32 screws. When ordering, suffix S to number (1001S). Screws not furnished.
- Rekeying:** Plug removal access hole added to shank of handle to allow for removal of plug assembly for rekeying purposes. To remove plug, insert key and rotate 90 degrees. Insert small tool (e.g., paper clip) in access hole and depress retainer while pulling key and plug out of handle.

1000 Series Lever Handle

DISC TUMBLER Can be Masterkeyed

Part#	Spindle Length	Keyed	Finish	MFT PT #	Stock Quantity	Boxed Weight lbs/oz	MSRP
Stock Items:							
1000 RH	25/32"	KA CAT60	US26D	00586	10	5/10	\$16.80
1000 RH	3-1/2"	KA CAT45	US26D	02653	10	5/10	\$17.85
1000 RH	3-1/2"	KA CAT60	US26D	02368	10	5/10	\$17.85
1000A RH	25/32"	NON LOCKING	US26D	00587	10	5/10	\$10.50
1000A RH	3-1/2"	NON LOCKING	US26D	02369	10	5/10	\$11.55
Made-to-Order Items:							
Spindle	25/32"			123F7180002G			\$1.68
Spindle	1"			123F7380002G			\$1.68
Spindle	1-1/4"			123F7580002G			\$1.68
Spindle	1-1/2"			123F7780002G			\$1.68
Spindle	1-3/4"			123F7980002G			\$1.68
Spindle	2"			123F8180002G			\$1.68
Spindle	2-1/4"			123F8380002G			\$1.68
Spindle	2-1/2"			123F8580002G			\$1.68
Spindle	2-3/4"			123F8780002G			\$1.68
Spindle	3"			123F8980002G			\$1.68
Spindle	3-1/2"			123F9380002G			\$1.68
1000 RH or LH Pick Length			US26D				\$17.85
1000A RH Pick Length Non-Locking			US26D				\$11.55
1000AS	Surface Non-Locking		US26D				\$12.60
1000B	Non-Lock Rigid		US26D				\$10.50
1000S RH or LH Pick Length			US26D				\$18.90
H1 Cam	1-15/32"		US26	255F7480002G	10		\$1.31
H2 Cam	2-1/2"		US26	255F7580002G	10		\$1.31
H3 Holding Plate			US26	255F7680002G	10		\$1.31
S14441 Cam			US2G	328F9080002G			\$1.68
S14452 Cam			US2G	354F638			\$1.68
S14271 Cam			US2G	328F888			\$1.68
Master Keying Charge \$4.41							

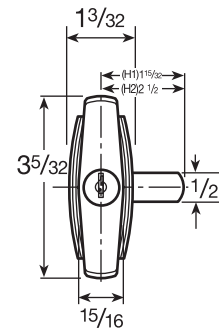
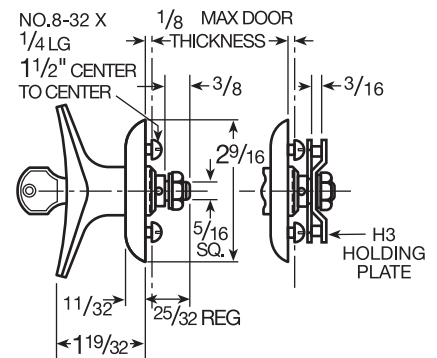
Cams & Holding Plates for 1000 & 1000 Series Handles

Made-to-Order Items:							
H1 Cam	1-15/32"		US2G	00074	10		\$1.31
H2 Cam	2-1/2"		US2G	00075	10		\$1.31
H3 Holding Plate			US2G	00076	10		\$1.31
H1 Cam	1-15/32"		US2G	255F7480002G			\$1.31
H2 Cam	2-1/2"		US2G	255F7580002G			\$1.31
H3 Holding Plate			US2G	255F7680002G			\$1.31
S14441 Cam			US2G	328F9080002G			\$1.68
S14452 Cam			US2G	354F638			\$1.68
S14271 Cam			US2G	328F888			\$1.68

1001 Series Tee Handle

DISC TUMBLER Can be Masterkeyed

Part#	Spindle Length	Keyed	Finish	MFT PT #	Stock Quantity	Boxed Weight lbs/oz	MSRP
Stock Items:							
1001 RH	25/32"	KA CAT45	US26D	02650	10	5/10	\$17.85
1001 RH	25/32"	KA CAT60	US26D	00588	10	5/10	\$17.85
1001 RH	3-1/2"	KA CAT45	US26D	02655	10	5/10	\$17.85
1001 RH	3-1/2"	KA CAT60	US26D	02370	10	5/10	\$17.85
1001A RH	25/32"	NON-LOCKING	US26D	00589	10	5/10	\$10.50
1001A RH	3-1/2"	NON-LOCKING	US26D	02367	10	5/10	\$11.55
Spindle	25/32"			123F7180002G			\$1.68
Spindle	1"			123F7380002G			\$1.68
Spindle	1-1/4"			123F7580002G			\$1.68
Spindle	1-1/2"			123F7780002G			\$1.68
Spindle	1-3/4"			123F7980002G			\$1.68
Spindle	2"			123F8180002G			\$1.68
Spindle	2-1/4"			123F8380002G			\$1.68
Spindle	2-1/2"			123F8580002G			\$1.68
Spindle	2-3/4"			123F8780002G			\$1.68
Spindle	3"			123F8980002G			\$1.68
Spindle	3-1/2"			123F9380002G			\$1.68
H1 Cam	1-15/32"		US2G	00074	10		\$1.31
H2 Cam	2-1/2"		US2G	00075	10		\$1.31
H3 Holding Plate			US2G	00076	10		\$1.31
Made-to-Order Items:							
1001 RH			US26D				\$18.90
1001A RH	Non-Lock Pick Length		US26D				\$11.55
1001AS RH	Non-Lock Rigid		US26D				\$11.55
1001B RH	Non-Lock Rigid		US26D		500pc Minimum		\$11.55
1001S			US26D				\$18.90
H1 Cam	1-15/32"		US2G	00074	10		\$1.31
H2 Cam	2-1/2"		US2G	00075	10		\$1.31
H3 Holding Plate			US2G	00076	10		\$1.31
S14441 Cam			US2G	328F9080002G			\$1.68
S14452 Cam			US2G	354F638			\$1.68
S14271 Cam			US2G	328F888			\$1.68
Master Keying Charge							\$4.41

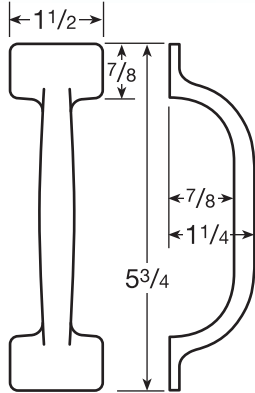


Pull Handles

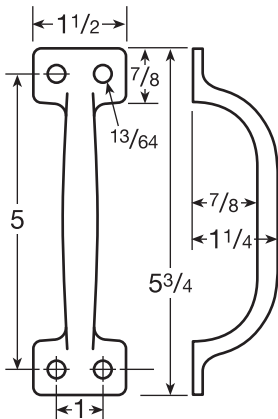
3284 | S14810 Pull Handle



3284



S14810



Part#	Spindle Length	Keyed	Finish	MFT PT #	Stock Quantity	Boxed Weight lbs/oz	MSRP
-------	----------------	-------	--------	----------	----------------	---------------------	------

Stock Items:

3284			PS	02005	100	13/3	\$138.60
------	--	--	----	-------	-----	------	----------

Made-to-Order Items:

3284			US2G	349F2580002G	Sold in qty. of 100pc		\$189.21
S14810			US2G	349F2480002G	Sold in qty. of 100pc		\$116.43
S14810			PS	349F248	Sold in qty. of 100pc		\$102.90

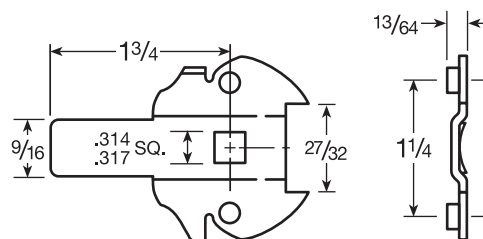
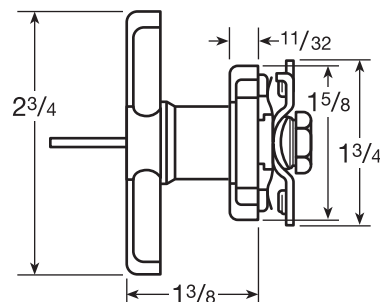
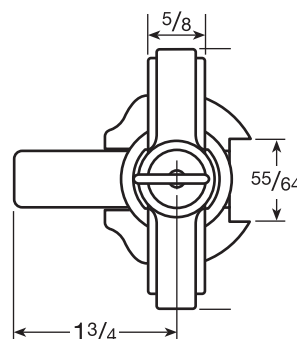
3 Point Tee Handles

15766 3 Point Tee Handle

PIN TUMBLER Can be Masterkeyed

Part#	Spindle Length	Keyed	Finish	MFT PT #	Stock Quantity	Boxed Weight lbs/oz	MSRP
Stock Items:							
15766 RH		KA CAT 60	US26D	00593			\$14.39
Made-to-Order Items:							
15766			US26D				\$14.39
3 Point Cam LH			Zinc	262F8080002G			\$4.15
3 Point Cam RH				262F7980002G			\$4.15
Master Keying Charge							\$4.41

- **Material:** Pressure Cast, Steel Zinc Plated Cam
- **Operation:** Top and bottom bolts and cam are operated by quarter turn of handle, except when handle is locked by key. Key removable in either locked or unlocked position.
- **Metal Thickness:** 1/8" Maximum
- **Regular Key Changes:** 200 with key blank 5865JVR
- **Master Key Changes:** 180 with key blank 5860KS
- **Rods and Guides:** Not furnished
- **Hand:** Regularly furnished right hand
- **Rekeying:** Plug removal access hole added to shank of handle to allow for removal of plug assembly for rekeying purposes. To remove plug, insert key and rotate 90 degrees. Insert small tool (e.g., paper clip) in access hole and depress retainer while pulling key and plug out of handle.



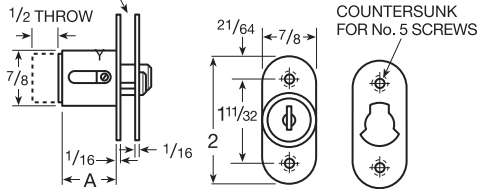
Sliding Door Locks



02069
Finish: US26D



GAP BETWEEN PLATE AND STRIKE CAN VARY FROM 1/16" TO 1/4"



02069 Push & Turn Sliding Door Lock

DISC TUMBLER Can be Masterkeyed

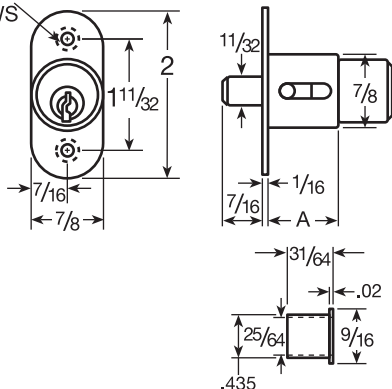
Part#	Length	Keyed	Finish	MFT PT #	Stock Quantity	Boxed Weight lbs/oz	MSRP
Stock Items:							
02069	7/8"	KD	US4	02699	25	5/10	\$16.80
02069	7/8"	KA CAT30	US4	02703	25	5/10	\$16.80
Made-to-Order Items:							
02069	7/8"		US4				\$18.90
02069	7/8"		US26D				\$18.90
02069	1-3/8"		US4		250 minimum		\$18.90
02069	1-3/8"		US26D		250 minimum		\$18.90
02069K	7/8"		US4				\$18.90
02069K	7/8"		US26D				\$18.90
02069K	1-3/8"		US4		250 minimum		\$18.90
02069K	1-3/8"		US26D		250 minimum		\$18.90
Master Keying Charge							\$4.41

02290 Sliding Door Lock

PIN TUMBLER Can be Masterkeyed



C'SUNK FOR No. 5 SCREWS



Part#	Length	Keyed	Finish	MFT PT #	Stock Quantity	Boxed Weight lbs/oz	MSRP
Made-to-Order Items:							
02290	7/8"	R1	US4				\$42.00
02290	7/8"		US26		249 Minimum		\$42.00
02290	7/8"	R1	US26D				\$42.00
02290S	BRASS CUP STRIKE			233F522			\$1.84
Master Keying Charge							\$4.41

- Keyways Available: R1
- **Material:** All Brass
- **Operation:** Push bolt type. To lock, push end of cylinder. To unlock, use key. As regularly furnished, key is removable in locked or unlocked position. Strike: No. 02290S, brass, US4 only, regularly furnished

02291 Sliding Door Lock

PIN TUMBLER Can be Masterkeyed

Part#	Length	Keyed	Finish	MFT PT #	Stock Quantity	Boxed Weight lbs/oz	MSRP
Stock Items:							
02291	7/8"	KD R1	US4	00185	10	3/2	\$44.10
02291	7/8"	KA 4T37526	US4	02652	10	3/2	\$44.10
02291	7/8"	KA4R64264	US4	00186	10	3/2	\$44.10
02291	7/8"	KA 4T37526	US26D	02667	10	3/2	\$44.10
Made-to-Order Items:							
02291	7/8"		US4		10	3/2	\$46.20
02291	7/8"		US26D		10	3/2	\$46.20
02291A	7/8"		US4		10	3/2	\$46.20
Master Keying Charge							\$4.41

02291

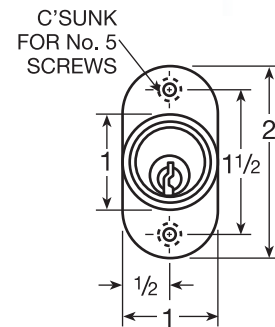
- **Keyways Available:** R1 & CR
- **Material:** All Brass
- **Operation:** Push bolt type.
To lock, push end of cylinder. To unlock, use key.

02291A

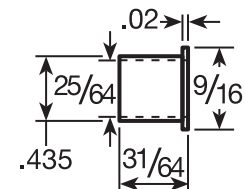
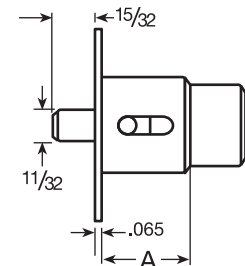
- **Keyways Available:** R1 & CR
- **Material:** All Brass
- **Operation:** Push bolt type.
Key is used to both lock and unlock the mechanism
- **Strike:** No.02290S, brass,
- US4 only, regularly furnished



02291
Finish: US26D



02290S

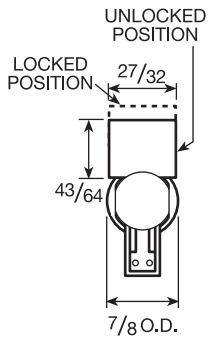
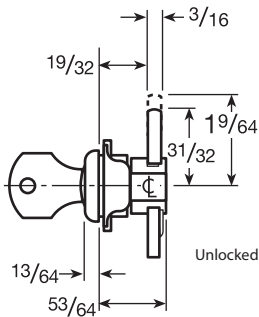
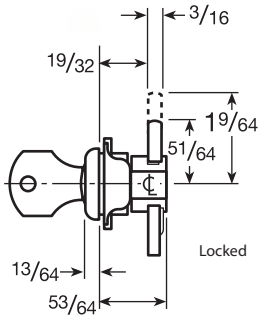


Special Purpose

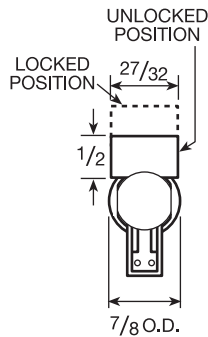


2060 Series Special Purpose Locks DISC TUMBLER with Spring-In Bolt

Part#	Length	Keyed	Finish	MFT PT #	Stock Quantity	Boxed Weight lbs/oz	MSRP
Stock Items:							
S2060NC		KD	US26D	02666	25	3/12	\$12.65
S2060NC		KA CAT 30	US26D	02663	25	3/12	\$12.65
Made-to-Order Items:							
2060C	CAT ONLY		US26D				\$12.18
2060N	CAT ONLY		US26D				\$9.88
S2060C	CAT ONLY		US26D				\$10.15
S2060GF	CAT ONLY		US26D				\$13.41
S2060N	CAT ONLY		US26D				\$10.15
		Master Keying Charge					\$4.41



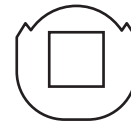
S2060GF



S2060C

Miscellaneous Items

Part#	Length	Keyed	Master Keyed	Finish	MFT PT #	Stock Quantity	Boxed Weight lbs/oz	MSRP
Made-to-Order Items:								
02069S								\$2.21
02290S	Brass Cup Strike				233F522			\$1.84
90°	Stop Cam			US2G	108F5580002G			\$1.31
180°	Stop Cam			US2G	121F4280002G			\$1.38
	Plug Lockwasher			US2G	218F908			\$1.31
	Pronged Washer (Pin Tumbler Locks)				253F2680002G			\$1.31
	Pronged Washer For Disc Tumbler (2 Flats)				230F2480002G			\$1.44
	Internal Tooth Lockwasher				236F458			\$0.63
	Mounting Clip (For 15867&15868 Panel)				199F838			\$1.31
	Mounting Clip For Cam Locks				099F268			\$1.38
	Plug Nut				096F40200014			\$1.31
	Collar Ring			US4	231F5580004			\$1.31
	Collar Ring			US26D	52301A			\$1.31
	Cylinder Lock Washer				253F0980002G			\$1.31
	Cylinder Spacer Washer				271F138			\$1.31
	Cylinder Nut				407F718000DICH			\$1.31
	3 Point Cam RH (15766 Tee Handle)				262F7980002G			\$4.15
	3 Point Cam LH (15766 Tee Handle)				262F8080002G			\$4.15
	Tumbler Spring				026F757			\$16.28



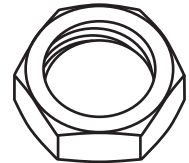
Stop Cam 108F558
For 90° throw of cam.



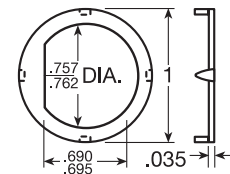
Stop Cam 121F428
For 180° throw of cam.



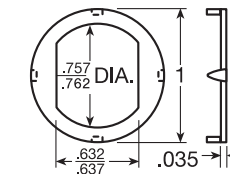
096F402 Plug Nut
(Disc and Pin Tumbler)



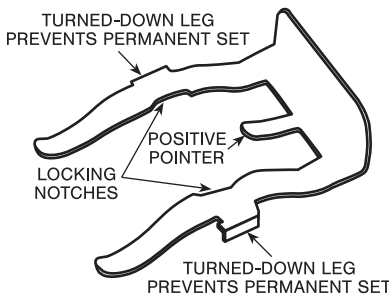
407F78 Cylinder Nut
(Disc and Pin Tumbler)
3/4 - 24NC - 2



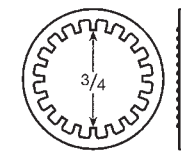
Pronged Washer 230F248
For use with disc tumbler camlocks.



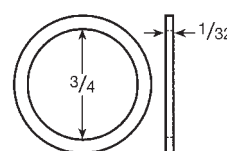
Pronged Washer 230F248
For use with disc tumbler camlocks.



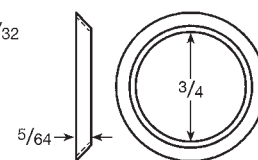
Mounting Clip for
Cam Locks 099F268



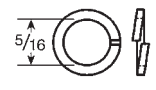
253F09
Cylinder Lock Washer



271F138
Cylinder Spacer Washer



231F558
Collar Ring



218F90
Plug Lock Washer

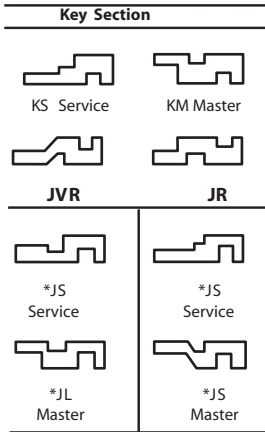
Mounting Clip:

- Made of tempered spring steel. Locks and snaps into place with an assuring click. An exclusive design holds clip securely in place; notches on clip engage notches on cylinder. For 18, 20, and 22 gauge metal. Available for:
 - 2060C
 - C15751
 - S2060NC
 - C15258
 - S2060GF
 - C15259

Washers:

- For use under nut on wood application to prevent cylinder from turning. 100 per box.

Accessories

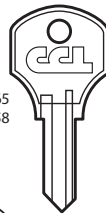


*Only key blanks available

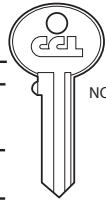
Key Section	Key Blank Number
	4193C -AR
	4193C -BR 4195C -BR
	4193C -BL
	4193C -WR
	4193C -WL
	8632C -CR (4 Pin) 8618C -CR (5 Pin) 8687C -CR (6 Pin)
	8632C -R1 (4 Pin) 8618C -R1 (5 Pin) 8687C -R1 (6 Pin)
	8618C -R4 (5 Pin)



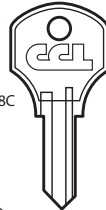
NO. 5860
NO. 5861



NO. 5865
NO. 8658



NO. 4193C



NO. 8618C



NO. 58690
AVAILABLE IN
CR only
(GR available
with special
order)



Disc Tumbler Key Blanks

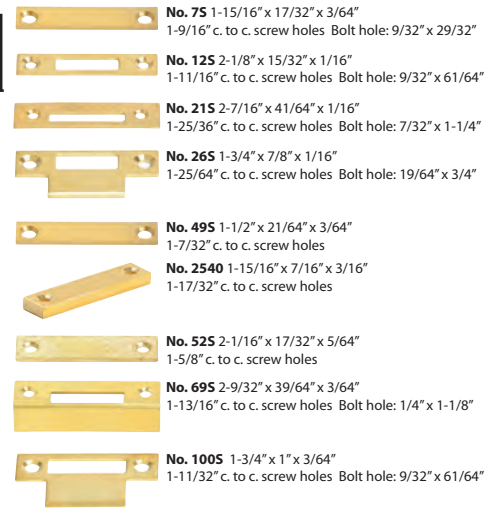
Part#	Length	MFT PT #	Stock Qty	MSRP
Stock Items:				
5860KM	M7000 Series MK5 DISC	03148		\$0.74
5860KS	FAB Series M7000 5 DISC	00643		\$0.74
5861KM	M8000 Series MK 5 DISC	02710		\$0.74
5861KS	GEK Series M8000 5 DISC	00644		\$0.74
5865JL	5 DISC	414K332511		\$0.79
5865JR	BGM 5 DISC	00645		\$0.74
5865JVL	MK Blank 5 DISC	03147		\$0.74
5865JVR	5865JVR 5 DISC	00646		\$0.74
C622-KEYBLANKS	5 Disc	C622-KEYBLANKS		\$0.74

Pin Tumbler Key Blanks

Part#	Length	MFT PT #	Stock Qty	MSRP
Stock Items:				
430-KB-4PIN-M2 (430 series)	4 Pin		50	\$0.74
430-KB-4PIN-M1 (420/430 series)	4 Pin		50	\$0.84
420-KB-5PIN-M16 (420 series)	5 Pin		50	\$0.84
936-KB-5PIN-A700 (936/937/900/500 series)	5 Pin		50	\$0.84
936-KB-6PIN-A700 (936/937/900/500 series)	6 Pin		50	\$1.05
4193C-AR	5 Pin (2A)	00641	50	\$0.89
4193C-BR	5 Pin	242K252503		\$0.89
4193C-WR	5 Pin	242K252532		\$0.89
5862C-R1	3 Pin	230K322519		\$0.89
5862C-CR	3 Pin	230K322505		\$1.05
8618C-CR	5 Pin (4R B4R)	00651	50	\$1.05
8618C-R1	5 Pin (4T)	00652	50	\$0.84
8618C-CL	5 Pin	230K332504		\$0.84
8618C-R3	5 Pin	230K332521		\$1.05
8618C-R4	5 Pin	230K332522		\$0.89
8618C-R12	5 Pin	230K332523		\$0.89
8618C-R14	(47T & MK)	00653	50	\$0.89
8618C-VR	5 Pin	230K332530		\$0.84
8632C-CR	4 Pin	00654	50	\$0.89
8632C-R1	4 Pin	230K342519		\$0.84
8632C-CL	4 Pin	230K342504		\$0.89
8687C-CR	6 Pin	00658	50	\$0.89
8687C-R1	6 Pin	00659	50	\$0.95
8687C-R14	6 Pin	230K352525		\$0.95
58690-CR	5 Pin	238K064505		\$0.95
58690-GR	5 Pin	238K064508		\$2.89
58690-R1	5 Pin - LIMITED QUANTITIES	238K064519		\$2.89
58690-VR	5 Pin	238K064530		\$2.89
S1-26-3	3 Pin - LIMITED QUANTITIES			\$1.05
Service Key (Extra) Pin Tumbler Purchased w/ Lock				\$1.94
Service Key (Extra) Pin Tumbler Purchased w/o Lock				\$5.04
#2 Key		238K064505CUT		\$5.15
Made-to-Order Items:				
R4266	LONG KEY 3-9/32" (Skeleton key)	02613	25	\$6.25
R4266	LONG KEY 3-9/32" (Skeleton key)	313F162		\$6.25
R4277	SHORT KEY 2-25/64" (Skeleton key)	02614	25	\$6.25
R4277	SHORT KEY 2-25/64" (Skeleton key)	313F142		\$6.25

Strikes

Part#	Length	Keyed	Master Keyed	Finish	MFT PT #	Stock Quantity	Boxed Weight lbs/oz	MSRP
Stock Items:								
75				US4	00082	25	0/4	\$1.84
125				US4	00083	25	0/4	\$1.84
215				US4	201F112			\$1.84
265				US4	016F542			\$1.84
495				US4	265F912			\$1.84
525				US4	113F872			\$1.84
695				US4	00102	25	0/8	\$1.84
1005				US4	045F922			\$1.84
2540				US4	00196	25	1/4	\$1.84



Miscellaneous Keying Kits & Cut Keys

Stock Items:	MFT PT #	MSRP
OLYMP-1 Pin Tumbler (NOT 906)	03153	\$210.00
KK125 Disc Tumbler Keying Kit	00569	\$120.75
KK420 Laminated Rekeyable Pinning Service Kit		\$440.00

OLYMP-1 Pin Tumbler Keying Kit Contents:

- Service Tumblers
- Master Tumblers
- Cams
- Lock Retainers
- Cylinder Nuts
- Pronged Washers
- Escutcheons
- Plug Nuts
- Stop Cams
- Tumbler Springs
- Lock Washers



KK125 Disc Tumbler Keying Kit Contents:

- For rekeying CCL's "4T", "B4R", and "4R" type bitting requiring .095 diameter pins, and "OLYMPUS" D4219 keyway in .101 diameter pins. NOTE: CCL's "4T" and "B4R" have the same bitting.
- 100 Bottom Pins, size 0-8 ("4R" type)
 - 100 Bottom Pins, size 0-9 ("B4R" type)
 - 100 Bottom Pins, size 0-9 (D4219 Keyway)
 - 100 Master Pins, size 2-9 ("4R" & "B4R" type)
 - 100 Master Pins, size 2-7 (D4219 Keyway)
 - 100 Top Pins, size 0 & 5 ("4R" type)
 - 100 Top Pins, size 1-4 (D4219 Keyway)
 - 100 Tumbler Springs .095 diameter
 - 100 Tumbler Springs .101 diameter
 - 1 Tweezer • 1 Follower

KK420 Laminated Rekeyable Pinning Service Kit Contents:

Brass Bottom Pin #3 Part #: KK420-BB-P3 Picture:	Brass Bottom Pin #1 Part #: KK420-BB-P1 Picture:	Brass Bottom Pin #2 Part #: KK420-BB-P2 Picture:	Brass Bottom Pin #3 Part #: KK420-BB-P3 Picture:	Brass Bottom Pin #4 Part #: KK420-BB-P4 Picture:	Brass Bottom Pin #5 Part #: KK420-BB-P5 Picture:	Brass Bottom Pin #6 Part #: KK420-BB-P6 Picture:	Brass Bottom Pin #7 Part #: KK420-BB-P7 Picture:	Repin Gauge Set Part #: KK420-RGS Picture:
Steel Bottom Pin #8 Part #: KK420-SB-P8 Picture:	Steel Bottom Pin #1 Part #: KK420-SB-P1 Picture:	Steel Bottom Pin #2 Part #: KK420-SB-P2 Picture:	Steel Bottom Pin #3 Part #: KK420-SB-P3 Picture:	Steel Bottom Pin #4 Part #: KK420-SB-P4 Picture:	Steel Bottom Pin #5 Part #: KK420-SB-P5 Picture:	Steel Bottom Pin #6 Part #: KK420-SB-P6 Picture:	Steel Bottom Pin #7 Part #: KK420-SB-P7 Picture:	1 PCS PK001
Steel Top Pin Part #: KK420-STP Picture:	Mastercam Pin Part #: KK420-MCP Picture:	Anti-bumping Pin Part #: KK420-ABP Picture:	Tumbler Spring Part #: KK420-TSPRING Picture:	C Clip Part #: KK420-CCLIP Picture:	Bottom Plate Nut Part #: KK420-BPLATENUT Picture:	Bottom Plate Screw Part #: KK420-BPLATESCR Picture:	Bottom Plate Part #: KK420-BPLATE Picture:	1 PCS PK003
100PCS 20150000063	100PCS 20150000030	100PCS 201600000287	100PCS 201000000003	20PCS 205100910001	10PCS 2021000000019	10PCS 2020000000154	10PCS 2028000000055	1 PCS PK002
W27 Keyway Cylinder Plug Part #: KK420-CYLPLUG-W27 Picture:	W27 5 Pin Keyblank Part #: KK420-KB-W27-5P5 Picture:	H3 Keyway Cylinder Plug Part #: KK420-CYLPLUG-H3 Picture:	H3 4 Pin Keyblank Part #: KK420-KB-H3-4P4 Picture:	Cylinder Housing Part #: KK420-CYLHOU Picture:	Seal - 422 Part #: KK420-SEAL422 Picture:	Seal - 423 Part #: KK420-SEAL423 Picture:	T-Shape Tool Part #: KK420-DTS Picture:	1 PCS 20
10PCS 20	10PCS 20	10PCS 200300060056	10PCS 200500060027	10PCS 202400060023	20PCS 208400000029	20PCS 208400000023		

M8003 Master Key

Stock Items:	MFT PT #	MSRP
8658JR 6 DISC	00655	\$0.74
8658JVL 6 DISC	00656	\$0.74
8658JVR AUE 6 DISC	00657	\$0.74
Service Key (Extras) Disc Tumbler (Cut Key with Locks) Purchased with Locks		\$1.79
M8003 Master Key (DISC) Key	02838	\$4.57



Parts for Disc Tumblers

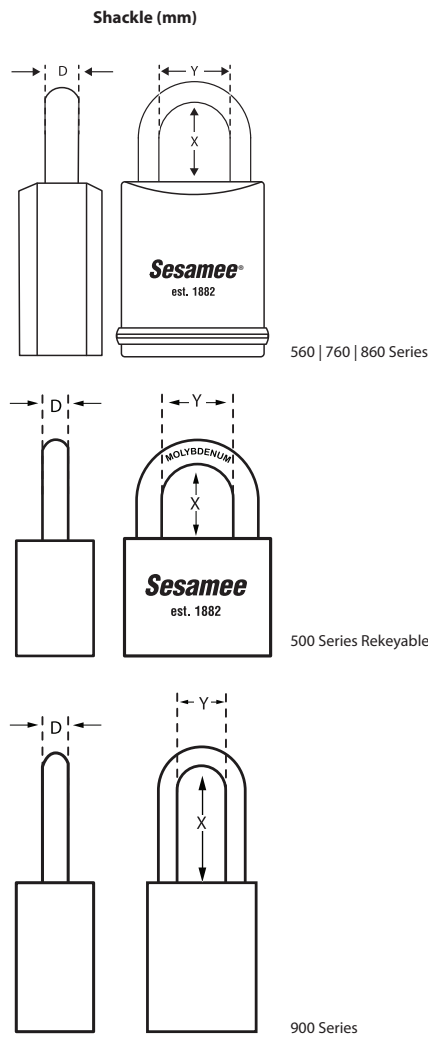
Part#	Description
#0 thru #2	Service Disc
#0-1 thru #2-1 Keying KT	Master Disc
C-2065	Spring for Disc Tumblers

Parts for Pin Tumblers

Part#	Description	Part#	Description
#0 thru #8	Ball End Pin Tumbler for "4R" type Bitting	026F757	Tumbler Spring
#2 thru #8	Master Pin Tumbler for "4R" type Bitting	0665 - 3/4"	Cylinder Slide
#0 thru #9	Ball End Pin Tumbler for "4T" & "B4R" type Bitting	0665 - 7/8"	Cylinder Slide
#2 thru #9	Ball End Pin Tumbler for "4T" & "B4R" type Bitting	0665 - 1-1/16"	Cylinder Slide
#0 thru #5	Driver for "4T", "B4R", "4R" type Bitting		

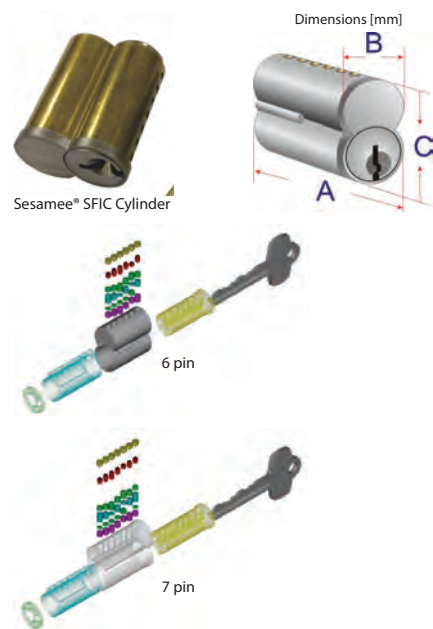
* Only supplied in quantities of 100

Accessories



Replacement Shackles

Suitable for Padlock	D	X	Y	Part#	Material	Finish	MSRP
560 760 860 Series							
IC Molybdenum Shackle	5/16"	3/4"	3/4"	99510	Moly	Chrome	\$5.50
IC Molybdenum Shackle	5/16"	1"	3/4"	99511	Moly	Chrome	\$6.60
IC Molybdenum Shackle	5/16"	1-1/2"	3/4"	99512	Moly	Chrome	\$7.70
IC Molybdenum Shackle	5/16"	2"	3/4"	99513	Moly	Chrome	\$8.80
IC Molybdenum Shackle	5/16"	3"	3/4"	99514	Moly	Chrome	\$9.90
IC Molybdenum Shackle	5/16"	4"	3/4"	99515	Moly	Chrome	\$11.00
IC Brass Shackle	5/16"	3/4"	3/4"	99520	Brass	Brass	\$6.05
IC Brass Shackle	5/16"	1"	3/4"	99521	Brass	Brass	\$7.15
IC Brass Shackle	5/16"	1-1/2"	3/4"	99522	Brass	Brass	\$8.25
IC Brass Shackle	5/16"	2"	3/4"	99523	Brass	Brass	\$9.35
IC Brass Shackle	5/16"	3"	3/4"	99524	Brass	Brass	\$10.45
IC Brass Shackle	5/16"	4"	3/4"	99525	Brass	Brass	\$11.55
IC Stainless Steel Shackle	5/16"	3/4"	3/4"	99530	Stainless	Stainless	\$6.05
IC Stainless Steel Shackle	5/16"	1"	3/4"	99531	Stainless	Stainless	\$7.15
IC Stainless Steel Shackle	5/16"	1-1/2"	3/4"	99532	Stainless	Stainless	\$8.25
IC Stainless Steel Shackle	5/16"	2"	3/4"	99533	Stainless	Stainless	\$9.35
IC Stainless Steel Shackle	5/16"	3"	3/4"	99534	Stainless	Stainless	\$10.45
IC Stainless Steel Shackle	5/16"	4"	3/4"	99535	Stainless	Stainless	\$11.55
500 900 Series							
IC Molybdenum Shackle	1/4"	3/4"	3/4"	99410	Moly	Chrome	\$5.23
IC Molybdenum Shackle	1/4"	1"	3/4"	99411	Moly	Chrome	\$6.33
IC Molybdenum Shackle	1/4"	1-1/2"	3/4"	99412	Moly	Chrome	\$7.43
IC Molybdenum Shackle	1/4"	2"	3/4"	99413	Moly	Chrome	\$8.53
IC Molybdenum Shackle	1/4"	3"	3/4"	99414	Moly	Chrome	\$9.63
IC Molybdenum Shackle	1/4"	4"	3/4"	99415	Moly	Chrome	\$10.73
93609, 93610, 93611, 93709, 93710, 93711				stock qty:			
99936-IC	7/16"	1"	3/4"	10 pcs	Moly	Chrome	\$10.50
99937-IC	7/16"	2"	3/4"	10 pcs	Moly	Chrome	\$11.00



SFIC Cores

CCL Model #	Finish	Dimensions [mm]			Keyway	Shelf Pack	Master Pack	MSRP
		A	B	C				
SSIC-6 Pin								
SFIC6-UC(kwy)	US4, 26D	27.2	14.1	24.3	*see below	6	36	\$18.90
SFIC6-C(kwy)	US4, 26D	27.2	14.1	24.3	*see below	6	36	\$39.90
SSIC-7 Pin								
SFIC7-UC(kwy)	US4, 26D	30.8	14.1	24.3	*see below	6	36	\$19.43
SFIC7-C(kwy)	US4, 26D	30.8	14.1	24.3	*see below	6	36	\$40.95
Key Blank								
SFIC-KB	Big Clover Brass Key Blank with Nickel Plating for SSIC-6 and SSIC-7					100	1,000	\$2.10

Note: UC means "uncombined", without pinning and without key.

* The keyway is available for A, B, C, D, E, F, G, H, J, K, L, M, Q, 1C, 1D, KMT300, N, DD keyways.

* Must specify Key Way to left when ordering →

Keyway No	Description	Keyway No	Description
A	Best Lock A Keyway	J	Best Lock J Keyway
B	Best Lock B Keyway	K	Best Lock K Keyway
C	Best Lock C Keyway	L	Best Lock L Keyway
D	Best Lock D Keyway	M	Best Lock M Keyway
E	Best Lock E Keyway	Q	Best Lock Q Keyway
F	Best Lock F Keyway	1C	Best Lock 1C Keyway
G	Best Lock G Keyway	1D	Best Lock 1D Keyway
H	Best Lock H Keyway	T300	Best Lock KMT300 Keyway

- Brass cylinder
- High quality plating with US26D or US4
- Each combined cylinder comes with 3 keys:
 - 2 keys for opening the lock
 - 1 control key for taking off the core
- **Money Saving:** With this IC Core System, only the core needs replacing instead of a whole new lock.
- **Easy to Manage:** Interchangeable cores provide versatility, allowing each key holder to use their own core.

DISPLAYs Mailbox & Cam | Small Format IC Core 72 Series Lock

Part#	Display Contents (Lock Part Number)	MSRP
Mailbox & Cam Lock:		
03402	82010, 82011, 82013, 82014, 65008, 65007, 62214, 62217, 59020, 59021, 39053, 39023	\$732.90
Small Format IC Core 72 Series:		
03405	72412, 72421, 72724, 72938, 72357, 72012	\$236.25



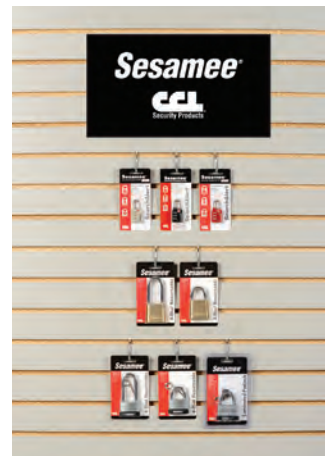
03402



03405

Plan-O-Grams

Includes Part#	Description	Qty	Total
#1 Hot Selling Products (Part # 03420)			\$131.25
K436	4-Dial Brass Resetttable 1"	1	\$24.68
K437	4-Dial Brass Resetttable 2-1/4"	1	\$26.25
K436L	4-Dial Laminated Resetttable 1"	1	\$15.23
K437L	4-Dial Laminated Resetttable 2-1/4"	1	\$16.28
K43320	2" Wide Laminated M1 w/ 1"	1	\$15.75
74703	Black 3-Dial Combination TSA w/Searchalert	1	\$11.03
74706	Pewter 3-Dial Combination TSA w/Searchalert	1	\$11.03
74710	Red 3-Dial Combination TSA w/Searchalert	1	\$11.03
03415	Header Sign with Sesamee by CCL Security	1	\$0.00
#2 Travel Lock Assortment (Part # 03421)			\$121.24
74703	Black 3-Dial Combination TSA w/Searchalert	1	\$11.03
74706	Pewter 3-Dial Combination TSA w/Searchalert	1	\$11.03
74710	Red 3-Dial Combination TSA w/Searchalert	1	\$11.03
94503	Black Keyed TSA w/Searchalert	1	\$9.44
94506	Pewter Keyed TSA w/Searchalert	1	\$9.44
94510	Red Keyed TSA w/Searchalert	1	\$9.44
94703	Black Cable Keycard TSA w/Searchalert	1	\$19.95
94706	Pewter Cable Keycard TSA w/Searchalert	1	\$19.95
94710	Red Cable Keycard TSA w/Searchalert	1	\$19.95
03415	Header Sign with Sesamee by CCL Security	1	\$0.00
#3 Weather Covered Lock Assortment (Part # 03422)			\$81.84
K45110	Black Weather Covered Laminated w/Slider M1	1	\$13.64
K45110-Red	Red Weather Covered Laminated w/Slider M1	1	\$13.64
K45110-Blue	Blue Weather Covered Laminated w/Slider M1	1	\$13.64
K45110-Green	Green Weather Covered Laminated w/Slider M1	1	\$13.64
K45110-Yellow	Yellow Weather Covered Laminated w/Slider M1	1	\$13.64
K45110-Orange	Orange Weather Covered Laminated w/Slider M1	1	\$13.64
K45110-Silver	Silver Weather Covered Laminated w/Slider M1	1	\$13.64
03415	Header Sign with Sesamee by CCL Security	1	\$0.00
#4 Laminated Lock Assortment (Part # 03423)			\$47.23
K43000	Laminated 1-1/8" Body 9/16" Shackle M1	1	\$8.39
K43110	Laminated 1-1/2" Body 3/4" Shackle M1	1	\$10.49
K43220	Laminated 1-3/4" Body 1" Shackle M1	1	\$12.60
K43320	Laminated 2" Body 1" Shackle M1	1	\$15.75
03415	Header Sign with Sesamee by CCL Security	1	\$0.00



#1 Hot Selling Products



#2 Travel Lock Assortment



#3 Weather Covered Lock Assortment



#4 Laminated Lock Assortment

Sesamee | CCL Header Card

Part#	Works with	MSRP
03415	Plan-O-Grams	\$21.00



03415

Index

Product Description	Part or MFGPT #	Page	Product Description	Page
Laminated Padlocks			15295D Cam Lock	15295D – S16597 41
430 Series Laminated Padlocks	K43000 – 43355	4-5	15748 & 15749 Cam Lock	15748 – 15749 42
450 Series Weather Covered Padlocks	45010 – 45141	6	15751 15752 15753 Cam Lock	B15751 – 15753 43
Rekeyable Padlocks			15760 Cam Lock	B15760 – C15751 44
420 Series ReKeyable Padlocks	42210 – 42356	7	15783 Cam Lock Lazy Cam Function	15783, 205 – 210 Cams 45
83 Series Brass Rekeyable Door Compatible Lock	83451-W/O – 83501	8	Bulk Items for 15751 15752 15760 Cam Locks	45
83 Series 5/16" Replacement Shackles	560-760-860-83 Series	8	C-510-XS C-510-S C-510-M C-510-L Die Cast Tubular Cam Lock	BDB510XS – BDB510L 46
66 66R 66KR Padlocks Disc Tumbler Rekeyable	00094 – 00100	9	C520L Die Cast Brass Tubular Cam Lock	C520L 47
500 Series Steel Rekeyable	52110 – 53315	10-11	C1091A Miniature Cam Lock Package	C1091A 48
500 Series Brass Rekeyable	55110 – 53345	12-13	Miniature Wing Handles and Miniature Slot Locks	DSL3091 – DSL3092 48
Safety Lockout Padlocks			CK2113 CK3113 CK4113 Rotary Combination Cam Lock	CK2113CD – CK4113CA 49
900 Series Aluminum Safety Lockout Padlocks	90111 – 90359	14-15	390XX Series Dial Combination Cam Lock	39051 – 39053, 39021 – 39023 50
910 & 920 Series Thermoplastic Safety Lockout Padlocks	91120 – 91229	16-17	59020 59021 59022 Padlockable Cam Lock	59020 – 59022 51
Safety Lockout Hasp	CCL90, CCL902	16	Straight Cams for Padlockable Cam Lock	S58 – S225 51
IC Padlocks			Offset Cams for Padlockable Cam Lock	F100-25 – F178-50 51
560 Series 1-3/4" LFIC Schlage®	56010 – 58014	18	Cams – Bent Straight Offset Hook	15714 – 15751ED 52
562 Series 1-3/4" LFIC Sargent®	56210 – 58214	19	Weather Resistant Cam Lock	WRC-62204 – WRC-62217 53
564 Series 1-3/4" LFIC Corbin®	56410 – 58414	20	82010 82011 82013 82014 MBL820-3950 Mailbox Lock	MBL82010 – MBL820-3950 54
760 Series 1-3/4" SFIC w/o Core	76010 – 76115	21	650 651 Series Cam Lock	65001 – 65030 55
860 Series 1-3/4" KIK	86010 – 86115	22	Drawer Locks	
840 Series 1-3/4" KIK	84010 – 84014	22	0666 0666 1/2 Drawer Locks PIN TUMBLER	0666 – 0666 1/2, 100S 56
Storage Locks			0738 Drawer Lock PIN TUMBLER	0738, 2540 Strike 56
960 Storage Security Padlocks	96006 – 96009	23	02063 Drawer Locks PIN TUMBLER	02063 – 02063A 57
Pin Tumbler Padlocks			02065 02065 1/2 Drawer Locks DISC TUMBLER 7/8"	02065 – 02065 1/2 57
600 Series Padlocks Premium Pin Tumbler Solid Brass	60201 – 60508	24	02066 Drawer Locks DISC TUMBLER	02066 – 02066B, 2" Bolt 58
904 Padlocks Pin Tumbler Solid Brass	904 – 904H	25	02068 02068 1/2 Drawer Locks DISC TUMBLER	02068 – 02068 1/2 59
95 Padlocks Pin Tumbler	95	26	Cabinet Locks	
906 Padlocks Pin Tumbler Solid Brass	906 – 0906L	33	0737 Cabinet Lock PIN TUMBLER	0737, 2540 Strike 60
Resettable Padlocks			02067 Cabinet Lock DISC TUMBLER	02067, 7S Strike 60
4-Dial Resettable Brass Body with Brass Internal Parts	K436 - K440	26	Combination Locks for Cabinet Doors	D900, D901 61
4-Dial Resettable Diecast with Brass Internal Parts	K500 3/4, K500 2-1/4	27	Electronic Cabinet Lock	E901RSS, E901RIS, E901VSS, E901V1S 61
3-Dial Resettable Diecast	AB410	27	Small Format Interchangeable Core (SFIC) & Key-In-Knob Interchangeable Core	
4-Dial Heavy Duty Super Sesamee	K636, K637, K646	28	72 Series IC Core	72412 – 72012 62
4-Dial Resettable Front Faced Diecast	K2620, K2621	28	70 Series Key-in-Knob Interchangeable Core	70013 – 70938-ZERO 63
436L • 437L Resettable Combination Laminated Padlocks	436L, 437L	29	Draw Pull Catches	
165 Series Combination Padlock	16520, 16530, 16540	29	250 250W 641 642 643 794 Draw Pull Catch	250 – S794, S250 Strike 64
Traditional Combination Padlocks	K1450 – K4400	30	797 798 Draw Pull Catch	797 – 798 65
Heavy Duty Padlocks & Discus			2504 Flush Metal Catch	2504 – 2506D 65
Hidden Shackle 5-Pin	930-0-BITTED-Z – 930Dial	31	804 824 Draw Pull Catches w/Compression Springs	804 – 824, S641, S794 Strike 66
Round Body Hardened Steel Keyed	93601 – 93710	32	834 834S 834U Draw Pull Catches w/Concealed Compression Springs	834, 834S Strike 66
100 Series Discus Padlock	10010 – 10020	33	1771 1778 Multipurpose Suitcase Catches	1771 – 1778 67
TSA Travel Locks			Enclosure Locks	
SearchAlert® Heavy Duty Shackle	K6430	34	15481 Enclosure Lock PIN TUMBLER & WARDED	55481 – A15481, Dust Cover 68
SearchAlert® Looped Shackle Case Heavy Duty	K6430, K6435	34	15767 15768 15867 15868 Enclosure (Panelboard)	15767 – 15868 69
SearchAlert® 747 Series Padlocks	74701 – 74713	35	R357SGS Enclosure Lock WARDED CONSTRUCTION	R357SGS – R4277 69
SearchAlert® Keyed	94503, 94506, 94510	36	Handles	
SearchAlert® 4-Dial Lock	K8470, B8470	36	1000 Series Lever Handle DISC TUMBLER	1000 RH, 1000A RH, Spindle 70
SearchAlert® 947 Series Lock	94703, 94706, 94710	37		1000AS, 1000B, 1000S 70
SearchAlert® Cable Lock with Indicator	75003, 75006, 75010	38		H1 Cam, H2 Cam 70
Easy Open SearchAlert® 751 Series Cable Lock with Indicator	75103, 75106, 75110	38		H3 Holding Plate 70
SearchAlert® Combination TSA Accepted Non-Indicator	50003 – 50010	39		S14441, S14452, S14271 70
Prestoseals	61900, 61901, 61902	39	1001 Series Tee Handle	1001 RH, 1001A RH, Spindle, 1001AS RH, 1001B RH, 1001S 71
Cam Locks				H1 Cam, H2 Cam, H3 Holding Plate 71
15258 15259 Cam Lock With Spun-On Cam	15258 – AC15259	40		S14441, S14452, S14271 71

Terms & Conditions

Handles (continued)	Part or MFGPT #	Page
3284 S14810 Pull Handle	3284, S14810	72
15766 3 Point Tee Handle	15766 RH, 15766, 3 Point Cam	73
Sliding Door Locks		
02069 Push & Turn DISC TUMBLER	02069, 02069K	74
02290 PIN TUMBLER	02290, 02290S	74
02291 PIN TUMBLER	02291, 02291A	75
Special Purpose Locks		
2060 Series DISC TUMBLER with Spring-In Bolt	S2060NC, 2060C, 2060N	76
	S2060C, S2060GF, S2060N	76
Accessories		
Miscellaneous Items		
	02290S	77
	90° Stop Cam, 180° Stop Cam	77
	Plug Lockwasher	77
	Pronged Washer for Pin & Disc	77
	Internal Tooth Lockwasher	77
	Mounting Clips, Plug Nut	77
	Collar Rings	77
	Cylinder Lock & Spacer Washer	77
	Cylinder Nut	77
	3 Point Cam RH / LH	77
	Tumbler Spring	77
Disc Tumbler Key Blanks	5860KM, 5860KS, 5861KM	78
	5861KS, 5865JL, 5865JR	78
	5865JVL, 5865JVR	78
	430, 420, 950/500KB	78
Pin Tumbler Key Blanks	430-KB, 420-KB, 936-KB	78
	4193C-AR, 4193C-BR, 4193C-WR	78
	5862C-R1, 5862C-CR	78
	8618C-CR, 8618C-R1	78
	8618C-CL, 8618C-R3	78
	8618C-R4, 8618C-R12	78
	8618C-R14, 8618C-VR	78
	8632C-CR, 8632C-R1,	78
	8632C-R14, 58690-CR	78
	58690-GR, 58690-R1	78
	58690-VR, S1-26-3	78
	Service Key, #2 Key	78
	R4266, R4267	78
Strikes	7S, 12S, 21S, 26S, 49S, 52S	79
	69S, 100S, 2540	79
Miscellaneous Keying Kits & Cut Keys	OLYMP-1 Pin Tumbler	79
	KK125 Disc Tumbler Keying KT	79
	KK420 Laminated Rekeyable Pinning Service Kit	79
M8003 Master Key	8658JR, 8658JVL, 8658JVR	79
	Service Key, M8003 Master Key	79
Parts for Disc & Pin Tumblers		79
Replacement Shackles	For Series: 560 760 860 500 900	80
SFIC Cores	6-pin and 7-pin	80
Displays		
DISPLAY Mailbox & Cam Lock	03402	81
DISPLAY Small Format IC Core 72 Series	03405	81
Sesame CCL Security Header Card	03415	81
Plan-O-Grams for Various Assortments		81

ORDER SPECIFICATIONS

With our broad product range we hope to fill your needs with our product line. However, if specials are needed CCL Security can handle those requirements. There may be additional charges to cover the expense of producing these orders.

- Fax or email request for special quotations. 847-537-1881 or info@cclsecurity.com
- Specify keyed alike, keyed different or keyed different and master keyed when ordering. Specify finish.
- Specify key codes for keyed alike orders
- Authorized Distributors may order broken box or split case quantities but will be subject to a 10% convenience fee.

KEYING CHARGES

- | | |
|--------------------------|--------------------|
| • Keyed Differently (KD) | No Charge |
| • Keyed Alike (KA) | No Charge |
| • Masterkeyed | \$4.20 MSRP / Lock |
| • Stamping | \$3.15 / Lock |

DELIVERY & TERMS

Shipping Location: 301 West Hintz Road, Wheeling, IL 60090

- Net 30 days
- Prices are subject to change without notice
- Service Policy: In-Stock Items shipped 95% complete within 48 hours
- Minimum Annual Purchases for Distributor \$20,000
- Minimum Annual Purchases for Authorized Distributor \$50,000
- Minimum Annual Purchases for Gold Distributor \$100,000
- All Locks are to be ordered in either Shelf Pack and or Master Pack Quantities.

FREIGHT POLICY

- Freight is prepaid on shipments of CCL Security Products with a total invoice value of \$2,000 for Distributors within the Continental US.
- Freight is prepaid on shipments of CCL Security Products with a total invoice value of \$1,000 (based on net prices) to a single destination within the contiguous United States or Canada for Authorized and Gold Distributors. \$500 for Luggage Dealers within the Continental US.

MINIMUM ORDER

A convenience fee of \$15.00 will be added to all orders under \$50.00 net cost.

RETURNS AND CANCELLATIONS:

No CCL product or part can be returned for credit unless written authorization has been given in advance.

Merchandise returned must be identified as to original date of purchase, purchase order number, and shipper's name and address.

Service and handling charge is 25% for stock and 40% for non-stock items, of net billing price, except in the case of defective parts.

Any freight paid by CCL will be deducted from the amount of credit issued, except in the case of defective parts.

Merchandise returned in unsaleable condition will not be acceptable.

The return of obsolete, discontinued, modified or special parts is not permissible.

CCL reserves the right to charge for all work completed or materials purchased when an order is cancelled or reduced prior to shipment, where special or modified parts are involved.

CCL reserves the right to assess an additional cancellation charge, other than the normal 25% handling charge, in the event the quantity cancelled is in excess of our normal stock requirements.

Customer Service Hours:

Weekdays 8:00 a.m. to 4:30 p.m. Central Standard Time (C.S.T.). Orders may be faxed or emailed 24 hours a day. All orders received weekdays by 2:00 p.m. C.S.T. will be entered the same day.

EDI

CCL Security Products is able to accept purchase orders, transmit invoices and Advance Ship Notices (ASN), and receive forecast and Point of Sale (POS) data via EDI.

CLAIMS:

CCL will not be responsible for goods lost in transit. Purchaser is solely responsible for filing claims with the carrier for losses. Claims for shortages in shipment not chargeable to the carrier, must be reported within ten (10) days from receipt of merchandise.

LIMITED WARRANTY AND EXCLUSIONS:

CCL strives to produce quality products at reasonable prices. If you are not satisfied with our product because of a defect, we will repair or replace the defective part or parts free of charge for a period of one year from the date of purchase. In the event you claim that the product contains a defect, simply notify CCL of the defect, and we will arrange for repair or replacement. The sole and exclusive remedy against CCL relating in any way to a product defect shall be the repair or replacement of defective parts as provided for under this LIMITED WARRANTY. No other remedy, including, but not limited to, incidental or consequential loss, is available.

This LIMITED WARRANTY shall not be deemed to have failed of its essential purpose so long as CCL is willing and able to repair or replace defective parts in the manner prescribed in this LIMITED WARRANTY.

Any action for breach relating to the sale of an CCL product must be commenced within one year after the cause of action has accrued. This LIMITED WARRANTY IS IN LIEU OF ANY OTHER WARRANTY, EXPRESS OR IMPLIED, AND ALL SUCH WARRANTIES ARE EXCLUDED, INCLUDING, BUT NOT LIMITED TO, ANY IMPLIED WARRANTY OF MERCHANTABILITY OR FITNESS FOR A PARTICULAR PURPOSE.

LOST COMBINATIONS ARE NOT COVERED BY WARRANTY.

©Copyright 2016 CCL Security Products, Inc.

Product Catalog & Price List

Smart | Profitable | Exclusive

▶ *Now Keyed
KIK and SFIC*



▶ *Now keyed
KIK, SFIC & LFIC*



▶ *Laminated
AND
Rekeyable*



▶ *Easy to reset
at any time*



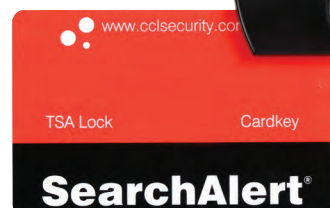
▶ *Standard in
Schlage C®
keyway*



▶ *Universally-understood
color improves security
identification*



▶ *Uses the same, reliable
SearchAlert® Feature
with New packaging
and a Lighter,
Compact Design*



▶ *Uses a Keycard
to open the
flexible cable*

