

• PUSHBUTTON DOOR LOCKS

SERIES 6200 RESIDENTIAL COMBINATION DOOR LOCK

With European styling, this five-button residential model provides the same security and access convenience as Simplex heavy duty models, but at half the price.

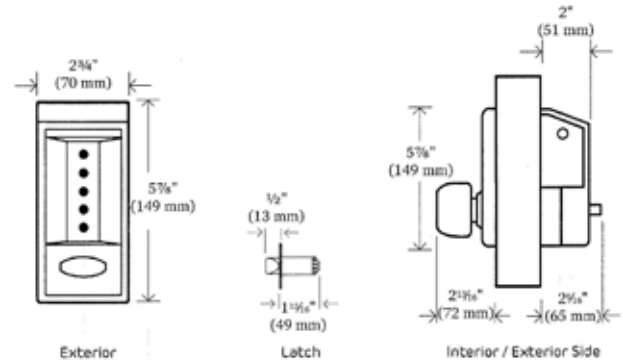
Fits wood and metal doors 1 3/8" to 2 1/4" thick. Replaces existing primary key in the knob lockset. Perfect for front and rear entrances, outdoor cabanas and solariums.

Dimensions: 5 7/8"(H) x 2 3/4"(W) x 2 9/16"(D)

- **Door Thickness:** 1 3/8" - 2 1/4"
- **Strike:** TS Strike Plate; DB Strike Box
- **Latch & Backset:** 1/2" throw latch, floating front, 2 3/4" backset (carries UL/ULC 3-hour fire rating for 'A' labeled doors).
- **Optional Latch & Backset:** 1/2" throw latch, flat front, 2 3/4" or 2 3/8" backset (carries UL/ULC 3-hour fire rating for 'A' labeled doors).
- **Door Handing:** Factory handed left; field reversible.
- **Control:** Combination change tool.
- **Weather** resistant.
- **Weight:** 4.5 lbs.

1/2" throw, floating faceplate

Code	Backset	Finish	Price
SI6204-60-41	2 3/4"	Gold Tone	231.50
SI6204-67-41	2 3/4"	Almond	231.50
SI6204-85-41	2 3/4"	Black	231.50
SI6204-86-41	2 3/4"	Gray	231.50



Replacement Latches

SI75185-03-01	2 3/8"	Polished Brass	38.50
SI75185-26D-01	2 3/8"	Satin Chrome	38.50
SI204168-03-01	2 3/4"	Polished Brass	38.50
SI204168-26D-01	2 3/4"	Satin Chrome	38.50

1/2" throw, flat faceplate

Code	Backset	Finish	Price
SI6202-60-41	2 3/8"	Gold Tone	231.50
SI6202-67-41	2 3/8"	Almond	231.50
SI6202-85-41	2 3/8"	Black	231.50
SI6202-86-41	2 3/8"	Gray	231.50

SERIES 7100 PUSHBUTTON LOCK

Attractive, slim line auxiliary deadlocking latch or bolt for keyless access. Uses the same reliable combination access as Simplex heavy duty controls. *The combination is easily changed by the owner in under a minute, at no cost, without removing the lock from the door.*

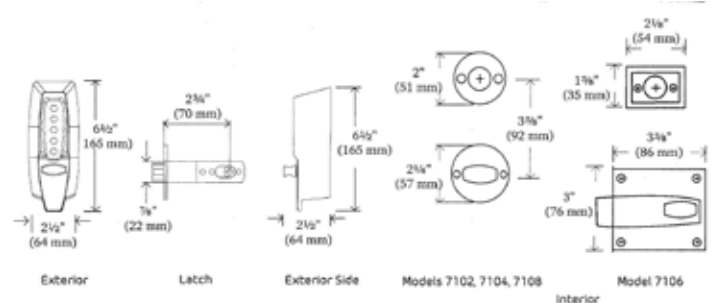
Fits wood and metal doors 1 3/8" to 2 1/4" thick.

Made from durable, weather-resistant materials for reliable operation even in harsh climactic conditions. Mounts above existing primary key-in-knob lockset. Equipped with a force-proof ball bearing clutch to prevent forced access.

Lock has 1/2" inch deadlocking latch or 1" deabolt. Always locked outside and unlocked inside.

Dimensions: 6"(H) x 2 1/2"(W).

- Easy installation. Includes all hardware.
- Lock handing is field reversible.



Code	Function	Backset	Finish	Price
SI7102-03-41	Deadbolt	2 3/4"	Bright Lifetime Brass	181.50
SI7102-26D-41	Deadbolt	2 3/4"	Satin Chrome	156.50
SI7102-05-41	Deadbolt	2 3/4"	Antique Brass	181.50
SI7104-03-41	Deadlatch	Adj.	Bright Lifetime Brass	181.50
SI7104-26D-41	Deadlatch	Adj.	Satin Chrome	156.50
SI7106-19-41	Rim Deadlatch	2 3/8"	Black Paint	156.50
SI7106-26D-41	Rim Deadlatch	2 3/8"	Satin Chrome	156.50

Code	Function	Backset	Finish	Price
SI7108-03-41	Deadbolt	2 3/8"	Bright Lifetime Brass	181.50
SI7108-26D-41	Deadbolt	2 3/8"	Satin Chrome	156.50
SI7108-AC-41	Deadbolt	2 3/8"	Antique Copper	156.50
SI7108-AW-41	Deadbolt	2 3/8"	Antique White	156.50
SI7108-GV-41	Deadbolt	2 3/8"	Gold Vein	156.50
SI7108-SV-41	Deadbolt	2 3/8"	Silver Vein	156.50
SI7108-05	Deadbolt	2 3/8"	Antique Brass	181.50

• PUSHBUTTON LOCKS

SIMPLEX 900 SERIES DOOR LOCKS

With Changeable Pushbutton Combinations Maximum Security • Maximum Protection



Provides both locksmiths and customers with many unique features:

- No keys to issue or control -no keys to retrieve when employees or tenants leave.
- Burglar Proof - no key hole to pick; thousands of possible combinations.
- Combination changes in just seconds.
- Durable - wear tested for an equivalent of 30 years of use.
- Easy to install over any existing lock or knob set.
- Completely Mechanical - no electrical wiring.

DEADBOLT 100 SERIES

Door Thickness: 1 3/8"

Code	Finish	Features	Price
SI9020000-04-41	Satin Brass		158.50
SI9020000-26D-41	Brushed Chrome		158.50
SI9060000-04-41	Satin Brass	Key By Pass	216.50
SI9060000-26D-41	Brushed Chrome	Key By Pass	216.50

DEADBOLT 200 SERIES

Door Thickness: 1 3/4" - 2 1/8"

Code	Finish	Features	Price
SI9040000-04-41	Satin Brass		158.50
SI9040000-26D-41	Brushed Chrome		158.50
SI9100000-04-41	Satin Brass	Key ByPass	216.50
SI9100000-26D-41	Brushed By Pass	Key ByPass	216.50

SPRING LATCH 100 SERIES

With Deadlatching Trigger and Latch Hold Back Feature
Door Thickness: 1 3/8"

Code	Finish	Features	Price
SI9170000-04-41	Satin Brass		183.50
SI9170000-26D-41	Brushed Chrome		183.50
SI9350000-04-41	Satin Brass	Key Bypass Cylinder & 1 Service Key(KD or KA)	240.50
SI9350000-26D-41	Brushed Chrome	Key Bypass Cylinder & 1 Service Key(KD or KA)	240.50

SPRING LATCH 200 SERIES SI919

With Deadlatching Trigger and Latch Hold Back Feature
Door Thickness: 1 3/4" - 2 1/8"

Code	Finish	Features	Price
SI9190000-04-41	Satin Brass		183.50
SI9190000-26D-41	Brushed Chrome		183.50
SI9191000-26D-41	Brushed Chrome	With 74464 Strike. For Metal Door Frames.	188.50
SI9191300-26D-41	Brushed Chrome	With 74464 Strike. For Metal Door Frames. 2 1/2" inside Lever.	220.50
SI9193000-26D-41	Brushed Chrome	With 2 1/2" inside Lever Handle.	215.50
SI9290000-26D-41	Brushed Chrome	Meets DOD standards for restricted areas.	272.50
SI9380000-04-41	Satin Brass	Key Bypass Cylinder and 1 Service Key(KD or KA).	272.50
SI9380000-26D-41	Brushed Chrome	Key Bypass Cylinder and 1 Service Key(KD or KA).	272.50

E-PLEX 3000 - Narrow Stile Electronic Pushbutton Lock

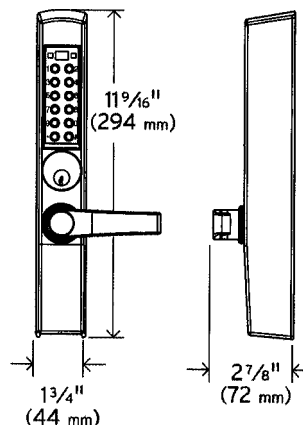
Electronic pushbutton lock for narrow stile aluminum glass doors.

Retrofits inside trim for:

Adams Rite® locks 1850, 1950, 4070, 4510, 4520, 4530, 4710, 4720, 4730, 4900, 4920AN, MS1850S and MS1950S series.

- 300 access codes
- Most recent 9,000 lock events
- Locks are programmed via keypad or with optional Microsoft Excel based software

Batteries are located in tamper proof base of outside housing. Four AA alkaline batteries provide up to 180,000 cycles. Lock data is maintained if batteries fail. Warning light notifies low battery.



Exterior



P/N	Prep	Lever	Finish	Retail
SI3065BNL-626	Best I.C.	Narrow Stile	Satin Chrome	716.50
SI3065MSNL-626	Sch. C	Narrow Stile	Satin Chrome	716.50
SI3066MSNT-626	Sch. C	Thumbturn	Satin Chrome	716.50

3065 - mortise deadlatch
3066 - mortise deadbolt

**• PUSHBUTTON LOCKS
• Accessories**

SIMPLEX® 5000

Application

The Simplex 5000 lock provides fully mechanical pushbutton access control without any wiring, electronics or batteries. Exterior access is by combination. Egress is by interior lever and is free at all times. Lock is ADA compliant.

The Simplex 5000 is ideal for controlling access to high-traffic, security-sensitive areas in commercial, industrial, educational, governmental, lodging, and multi-unit residential settings. Perfect for locations with a high user turnover rate such as data processing centers, employee entrances, etc.

Features

- Mechanical pushbutton strength and reliability.
- Keyless convenience - Eliminates problems and costs associated with issuing, controlling, & collecting keys & magnetic cards.
- Combination can be quickly and easily changed; thousands of possible combinations.
- Non-handed

- Direct drive: Eliminates potential breakage in critical internal links
- Rugged and weather resistant.
- Two year warranty

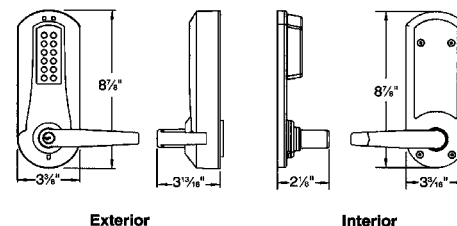
Use Pro-Lok **IN10-PRO/INCL-PRO** Template
Use Pro-Lok **EWP-IN10-FP-S** Flat Plate

Code	Finish	Features	Price
SI5021BWL-26D	Brushed Chrome	Best IC, less core	549.00
SI5021BWL-3	Chiara Brass	Best IC, less core	574.00
SI5021MWL-26D	Brushed Chrome	Medeco, less core	549.00
SI5021MWL-3	Chiara Brass	Medeco, less core	574.00
SI5021SWL-26D	Brushed Chrome	Schlage, less core	549.00
SI5021SWL-3	Chiara Brass	Schlage, less core	574.00
SI5021XKWL-26D	Brushed Chrome	Ilco 15995 cylinder & keys	549.00
SI5021XKWL-3	Chiara Brass	Ilco 15995 cylinder & keys	574.00
SI5021XSWL-26D	Brushed Chrome	Ilco 15995 "C" keyway	549.00
SI5021XSWL-3	Chiara Brass	Ilco 15995 "C" keyway	574.00



Additional Functions:

- SI5010** Exit Trim **Add'l 100.00**
- SI5031** Cylindrical Lock, Interior Combination Change **Add'l 50.00**
- SI5041** Cylindrical Lock, Passage **Add'l 50.00**
- SI5051** Cylindrical Lock, Interior Combination Change, Passage **Add'l 100.00**



E-PLEX 2000 - Electronic Pushbutton Lock

The E-Plex 2000 series is an economical way to step up to the benefits of electronic access control.

The E-Plex 2000 combines the strength, simplicity and reliability of the industry leading Simplex® pushbutton locks with the enhanced features and convenience of electronic access control.

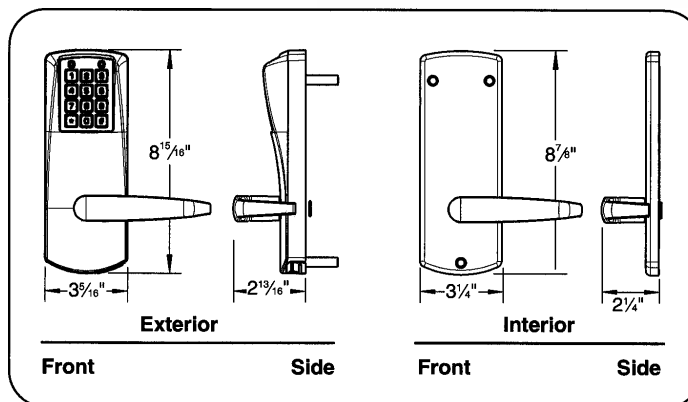
PIN access eliminates the cost and problems of issuing and managing keys or magnetic cards.

- 100 access codes - includes user and service levels
- 2 3/4" or 2 3/8" backset (specify)
- Minimum stile recommended: 5"
- 1/2" latchbolt
- Door thickness: 1 3/8" - 2 1/2". Pre-assembled to accommodate doors 1 5/8"-2"
- Non-handed

The efficient design of the E-Plex 2000 provides at least 100,000 cycles of battery life with 3 AA batteries. Metal, vandal-resistant keys ensure the integrity of the lock.

The E-Plex 2000 easily installs on wood or metal doors with ASA 161 door prep. Three through bolts secure the lock to the door.

Use Pro-Lok **IN640-PRO/INCL-PRO** Templates
Use Pro-Lok **EWP-IN640-FP-S** Flat Plate



P/N	Prep	Lever	Finish	Retail
SIE2031BLL-606	Best I.C.	Long	Satin Brass	571.00
SIE2031BLL-626	Best I.C.	Long	Satin Chrome	546.00
SIE2031LL-606	None	Long	Satin Brass	521.00
SIE2031LL-626	None	Long	Satin Chrome	496.00
SIE2031XSLL-606	Sch. C	Long	Satin Brass	571.00
SIE2031XSLL-626	Sch. C	Long	Satin Chrome	546.00

E-Plex® Model 5000

The E-Plex 5000 Series combines the strength, simplicity and reliability of Simplex® mechanical pushbutton locks with the added security and features of electronic access control - it's never been easier to Power Up your access control.

Exterior access is by combination or key override, and egress is by interior lever and is free at all times.

Construction: Extra heavy-duty Grade 1 lock; cylindrical lockset, solid cast housings; solid cast levers, cylindrical drive wear tested for extensive use in indoor and outdoor applications

Numeric keypad: Vandal resistant, 12 button, metal keys
Door handing: Non-handed, pre-assembled for left-hand door installations

Strike: ASA and standard strike plate

Latches: 1/2" (13 mm) throw latch, floating face plate
 3/4" (19 mm) throw latch, beveled face plate

Key override: Universal key-in-lever cylinder or removable core formats.

Weight: 8 lbs. (3.63 kg)

Batteries: (4) four AA Alkaline batteries -located in interior housing

- Battery life: up to 180,000 cycles
- Lock data is retained if batteries fail

Door preparation: Easily installs on wood or metal doors. ASA 161 door preparation with two (2) additional through bore holes

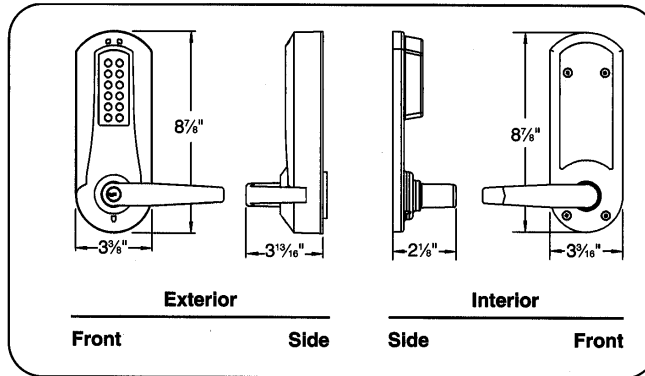
Backset: 2 3/4" (70 mm) backset

Minimum stile requirement: 5" (127 mm)

Door thickness: 1 3/8" (35 mm) to 2 1/4" (57 mm). Pre-assembled to accommodate doors 1 5/8" (41 mm) to 2" (51 mm). Hardware kits included for thin & thick doors

Enterprise Software for E5200 Series Locks
SIEP-EPRISE 728.00

Use Pro-Lok **IN650-PRO/INCL-PRO** Templates
 Use Pro-Lok **EWP-IN650-FP-S** Flat Plate



100 Access Codes, Most Recent 3,000 Events

Code	Finish	Features	Price
SIE5010BWL-626	Brushed Chrome	Exit Trim, Best IC, less core	910.00
SIE5010XSWL-626	Brushed Chrome	Exit Trim, Schlage C	910.00
SIE5031BWL-626	Brushed Chrome	Best IC, less core	810.00
SIE5031BWL-605	Bright Lifetime Brass	Best IC, less core	835.00
SIE5031CWL-626	Brushed Chrome	Corbin/Russwin, less core	810.00
SIE5031MWL-626	Brushed Chrome	Medeco/ASSA/Yale, less core	810.00
SIE5031MWL-605	Bright Lifetime Brass	Medeco/ASSA/Yale, less core	835.00
SIE5031RWL-626	Brushed Chrome	Sargent, less core	810.00
SIE5031SWL-626	Brushed Chrome	Schlage, less core	810.00
SIE5031SWL-605	Bright Lifetime Brass	Schlage, less core	835.00
SIE5031XKWL-626	Brushed Chrome	Kaba Cylinder, Kaba Keyway	810.00
SIE5031XSWL-626	Brushed Chrome	Kaba Cylinder, Schlage Keyway	810.00

300 Access Codes, Most Recent 30,000 Events w/Optional Software

SIE5210BWL-626	Brushed Chrome	Exit Trim, Best IC, less core	1094.00
SIE5210XSWL-626	Brushed Chrome	Exit Trim, Schlage C	1094.00
SIE5231SWL-626	Brushed Chrome	Schlage, less core	994.00
SIE5231XSWL-626	Brushed Chrome	Schlage C	994.00

Weather Shield for 5000/1000 Series

Designed with a spring loaded face plate that provides protection against weather and accidental damage.

Molded from thick, smoked polycarbonate.

SI54644-00-41 60.50

E-Plex® Model 5700

Electronic pushbutton lock with dual credential capability - PIN and/or PROX card (HID, 125khz, 26 to 84 bit format). Lock is scheduled to require credentials based on security and convenience requirements:

- PIN only
- PROX card only
- PIN + PROX card

- 3,000 access codes per door; over 100 million possible code combinations
- Most recent 30,000 lock events are recorded in memory including use of the mechanical key override
- Locks are programmed via E-Plex Advanced Access Control Software (not included) - provides easy management of doors and users

SIE5731XSWL-626
Schlage C

1,302⁵⁰
 Satin Chrome

SIE5766BWL-626
 Mortise - No Deadbolt
 Best I.C. prep (cyl not included)

1,422⁵⁰
 Satin Chrome

Use Pro-Lok **IN650-PRO/INCL-PRO** Templates
 Use Pro-Lok **EWP-IN650-FP-S** Flat Plate



E-Plex® Model 5086

Electronic pushbutton lock provides combination access control for both interior and exterior sides of door.

American Standard Mortise with 1 1/4" face plate.

- 100 access codes per side; over 100 million possible code combinations
- Most recent 3,000 lock events per side are recorded in memory including use of the mechanical override key
- Locks are programmed via keypad or with optional Microsoft Excel based software

3 Operation Modes
 PIN access
 Lockout

Passage - can be toggled on/off or can be preprogrammed to re-lock after a certain number of hours (from 1-24)



SIE5086BWL-626
 Mortise - No Deadbolt
 Best I.C. prep (cyl not included)

Use Pro-Lok **IN600-MORT-PRO/INCL-PRO/IN51/INJIGC-MORT** Templates
 Use Pro-Lok **EWP-IN600-FP-S** Flat Plate

1,460⁰⁰
 Satin Chrome



Accredited Lock Supply

www.acclock.com

Use Pro-Lok **IN10-PRO/INCL-PRO** Templates
Use Pro-Lok **EWP-IN10-FP-S** Flat Plate

• PUSHBUTTON LOCKS
• Accessories

SIMPLEX SERIES 1000 PUSHBUTTON COMBINATION ACCESS CONTROL

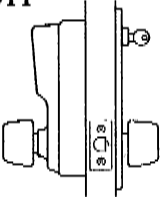
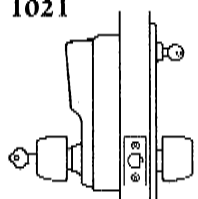
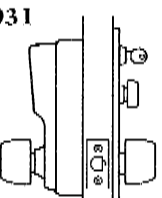
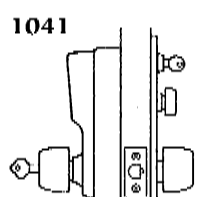
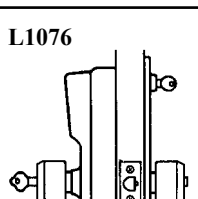
Specifically designed for high-traffic, high-frequency use: provides excellent security for apartment lobbies, employee entrances, student dormitories, hotels, motels, luxury homes, and restricted area in airports, hospitals, clubs, business, industry and institutions. Eliminates problems and cost of issuing, controlling and collecting keys or magnetic cards: no electronic wiring, no keyways to pick, no card slots to jam. Combines trouble-free performance with durability and long-lasting attractiveness. All locks include standard strikes, installation instructions, full scale and key for access combination change.

Dimensions:

Lock Body Height: 7 7/8" x 3 1/8" x 3 13/16" Latch Front: 1 1/8" x 2 1/4"
Backset: 2 3/4" (2 3/8" available) For Door Thickness: 1 3/8" - 2 1/4"

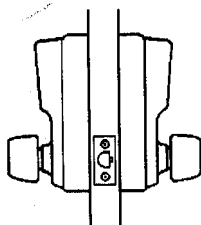
Ordering Information:

Specify finish: 605-Bright Brass, 609-Antique Brass, 625-Polished Chrome, 626-Satin Chrome
For Levers: Add **LL** for left hand, **LR** for right hand as prefix to number

PART NO.	DESCRIPTION	KEY OVERRIDE	PRICE 605-625		PRICE 609-626	
			NOB	LEVER	NOB	LEVER
1011 	Exterior access by combination. Egress by interior knob.	None	493.50	587.00	468.50	562.00
1021 	Exterior access by combination or key override. Egress by interior knob.	Interchangeable Core** Corbin/Russwin Dominion Lock Medeco*/Yale/ASSA Sargent Schlage	563.50 563.50 563.50 563.50 563.50 563.50	657.00 657.00 n/a 657.00 657.00 657.00	538.50 538.50 538.50 538.50 538.50 538.50	632.00 632.00 n/a 632.00 632.00 632.00
1031 	Exterior access by combination or passage feature. Interior has passage feature thumbturn. Egress by interior knob.	none	543.50	637.00	518.50	612.00
1041 	Exterior access by combination, key override, or passage feature. Interior has passage feature thumbturn. Egress by interior knob.	Assa Interchangeable Core** Corbin/Russwin Dominion Lock Medeco*/Yale Sargent Schlage	613.50 613.50 613.50 613.50 613.50 613.50 613.50	707.00 707.00 707.00 n/a 707.00 707.00 707.00	588.50 588.50 588.50 588.50 588.50 588.50 588.50	682.00 682.00 682.00 n/a 682.00 682.00 682.00
L1076 	Combination Entry Key Override (not supplied) Interior Combination Change Privacy (Lockout) 1 3/4" door thickness only	ASSA Interchangeable Core** Corbin/Russwin Medeco*/Yale Sargent Schlage	n/a n/a n/a n/a n/a n/a	677.00 677.00 677.00 677.00 677.00 677.00	n/a n/a n/a n/a n/a n/a	652.00 652.00 652.00 652.00 652.00 652.00
SERVICE KITS						
1000 Service Kit	EE1000 Service Kit	L1000 Service Kit	LH	RH	LP1000 Service Kit	LH RH
Combination Chamber 74366	Combination Chamber 74366	Combination Chamber 74366	74366	74366	Combination Chamber 74366	74366 74366
Clutch Assembly 201430	Clutch Assembly 201956	Clutch Assembly 201789	201789	201788	Clutch Assembly 201789	201789 201788
Chamber Shaft Bushing 200026	Chamber Shaft Bushing 200026	Chamber Shaft Bushing 200026	200026	200026	Chamber Shaft Bushing 200026	200026 200026
Stop Plate 201040	Stop Plate 201040	Stop Plate 201774	201774	201773	Stop Plate 201774	201774 201773
Knob Return Spring 201019	Return Spring 201019	Extension Spring 201762	201762	201762	Extension Spring 201762	201762 201762
Key Override Drive Shaft 201547	Drive Shaft Retainer Clip 201918	Key Override Drive Shaft 201813	201813	201813	Tail Piece Assembly 74303	74303 74303
Standard Drive Shaft 201050	Key Override Drive Shaft 201547	Standard Drive Shaft 201812	201812	201812	Key Override Shaft 'Best' 74679	74679 74679
	Standard Drive Shaft 201050				Key Override Shaft All Others 74529	74529 74529
Service Kit # S1203035-000-01 125.00	Service Kit # S1203036-000-01 125.00	Service Kit # LH-S1203038-000-01 165.00			Service Kit # LH-S1203040-000-01 165.00	
		Service Kit # RH-S1203037-000-01 165.00			Service Kit # RH-S1203039-000-01 165.00	

SIMPLEX SERIES EE1000 PUSHBUTTON COMBINATION ACCESS CONTROL

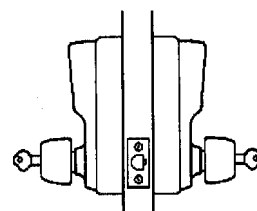
Fits doors up to 2" thick. Ideal for situations where access control is required on both sides of the door.



EE1011/EE1011

SIEE1011/EE1011-26D
SIEE1021B/EE1021B-26D
SIEE1021B/EE1021B-3

Satin Chrome 1014.00
Satin Chrome 1154.00
Bright Brass 1204.00



EE1021B/EE1021B

Other keyways available

SIMPLEX SERIES LP1000 PUSHBUTTON COMBINATION ACCESS CONTROL FOR CONTROL OF PANIC BARS

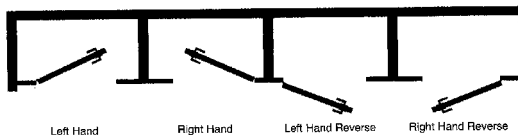
Supplied with a 2 3/4" (70mm) long adjustable tail piece to operate surface mounted panic devices from outside. Passage function is not available. Price does not include interchangeable cores. Panic device is not supplied.

Specify handing

Code	Key Bypass Option	Price
SILP1020B-26D-41	Interchangeable Core	704.00
SILP1020C-26D-41	Corbin/Russwin	704.00
SILP1020S-26D-41	Schlage	704.00
SILP1020M-26D-41	Medeco/Yale/ASSA	704.00
SILP1020R-26D-41	Sargent	704.00

Door Handing

Some locks also require you to specify door handing. To determine handing, face the door from the exterior (access) side and select the corresponding diagram below.



SIMPLEX 8100 SERIES PUSHBUTTON MORTISE LOCK

Construction: Heavy-duty American steel-case mortise lock housing conforms to ANSI/BHMI 156.13

Dimensions: Front housing 7 3/8"L x 3 1/8"W x 3 3/16"D

Door Thickness: 1 3/4" to 2 1/4"

Strike: Includes mortise strike plate with dimensions 4 7/8" x 1 1/4" x 1/4"

Latch/Backset: Two-piece, anti-friction latch 3/4" meets or exceeds UL/ULC 3-hour rating for "A" labeled doors; accomodates 1/2" throw, 2 3/4" backset and 1" deadbolt

Deadbolt: 1"

Installation: 5" minimum stile required

Control: DF5 key or thumbturn for passage and lockout

Door Handing: Factory-handed left/right; not field reversible

Weight: 9.8 lb.



P/N	Hand	Keyway	Finish	Retail
SIL8148B-26D	Left Hand	IC	Satin Chrome	752.50
SIL8148S-26D	Left Hand	Schlage	Satin Chrome	752.50
SILR8148B-26D	Left Hand Reverse	IC	Satin Chrome	752.50
SILR8148S-26D	Left Hand Reverse	Schlage	Satin Chrome	752.50
SIR8148B-26D	Right Hand	IC	Satin Chrome	752.50
SIR8148S-26D	Right Hand	Schlage	Satin Chrome	752.50
SIRR8148B-26D	Right Hand Reverse	IC	Satin Chrome	752.50
SIRR8148S-26D	Right Hand Reverse	Schlage	Satin Chrome	752.50

Accredited Lock Supply

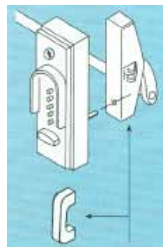
- PUSHBUTTON LOCKS
- CABINET LOCKS
- Accessories

**SIMPLEX 2015 SERIES
KEYLESS ACCESS CONTROL**

SI2015-26D-41

437⁵⁰

Satin Chrome



Exit device and handle not included.



Equipped with a 2 3/4" long adjustable bar (tailpiece) to operate surface mounted panic devices from the outside. Designed for devices that open with a maximum 90° clockwise rotation of the key cylinder.

Should not be used with thumb operated or mortise design devices. Any standard pull can be mounted adjacent to the 2015 to pull the door open.

6-pin tumbler combination control key cylinder, keyed differently.

Height: 8 5/8" x 3 1/8"

Backset: 1 9/16" minimum

Door Thickness: 1 3/8" - 2 1/2"

For:

Corbin 29, 26NT, 29 1/4, 29DO20, 29NTM2, 29M2, 29 1/4 M2, 27K, 20, 21 22, and 25.

Russwin 265, LT365, 365 1/4, 370, 372, 375, LT 375, 377, 382, 384, 385, 388. **Sargent** 9898E, 9898K.

Von Duprin 44NL, 44EO, 44DT, 66NL, 66EO, 66DT, 88NL, 88EO, 88DT.

SIMPLEX 9600 CABINET LOCKS

Pushbutton convenience to maintain file and desk-drawer security, as well as gun, liquor, and medicine cabinets.

Consumer Pack

SIC9601-605 Deadbolt Hex Brass **99.50**

SIC9601-626 Deadbolt Hex Satin Chrome **99.50**

SIC9602-605 Springlatch Hex Brass **99.50**

SIC9602-626 Springlatch Hex Satin Chrome **99.50**



Specify deadbolt or springlatch: **C10** - w/o trim plate, deadbolt
C20 - w/trim plate, deadbolt
C11 - w/o trim plate, springlatch. **Add 6.00**
C21 - w/trim plate, springlatch **Add 6.00**

P/N	Mntng.	Throw	Knob	Price
SI9621	Wood	Cross	Std	93.50
SI9622	Wood	End	Std	93.50
SI9661	Sheet Metal	Cross	Std	91.00
SI9662	Sheet Metal	End	Std	91.00

SIMPLEX FILE GUARD

Security Bars for Filing Cabinets

Heavy channel steel bars and steel mounting bolts ensure maximum protection.

File Guard with Built-In Lock offers the convenience of one-piece construction. The use of pin tumbler cylinders allows for rekeying in event of loss or theft of keys.

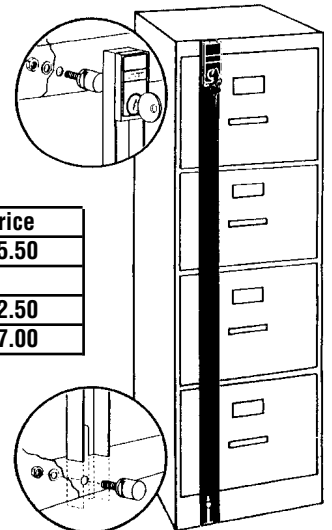
Supplied with 5 pin Schlage C keyway. *Black finish.*

Code	Drawers	Length	Price
SIF2582-B-SC	2 Drawer	29"	85.50
SIF2584-B-SC	4 Drawer	51 1/4"	92.50
SIF2585-B-SC	5 Drawer	59"	97.00

SIF25804 17.50

Hardware Pack provides additional/replacement mounting hardware.

Includes: Mounting Hardware: Notch Pins, Clevis Pins, Lock Washers, Screw Nuts and Screws as required.



FILE•GUARD™ with Built-In Lock

KEYLESS FILE • GUARD



Finish: Black

Black	Drawers	Length	Price
SIFG12-B	2 Drawer	29"	157.50
SIFG14-B	4 Drawer	51 1/4"	164.50
SIFG15-B	5 Drawer	59"	167.50



www.acclock.com

**SIMPLEX SERIES 3000 LOCKS
FOR NARROW STILE DOOR APPLICATION**



Fully mechanical and manufactured of precisely machined, all-metal components. Requires no electrical wiring or batteries.

Changing the pushbutton combination is protected by a key lock on the inside of the door. An optional anti-pull cylinder guard ring prevents wrenching the cylinder from its housing.

Operates standard Adams Rite 4510 and 4570 series latch mechanisms which may have previously been installed in the door. May also use the existing key cylinder that operates the Adams Rite latch.

Will function with all key cylinders used to operate the Adams Rite latch. Compatible with all Adams Rite egress hardware, including paddles, lever handles and panic bars.

Dimensions: 9 5/8" x 1 17/32" x 2 5/8".

STANDARD COMBINATION LOCK HOUSING 281.50
SI3001-55-41 Duranodic Dark Bronze
SI3001-26D-41 Satin Chrome

COMBINATION LOCK HOUSING WITH CYLINDER GUARD 297.50
SI3002-55-41 Duranodic Dark Bronze
SI3002-26D-41 Satin Chrome

NOTE: REQUIRES DRIVE ASSEMBLY, SEE BELOW

DRIVE ASSEMBLIES FOR SERIES 3000 LOCKS

Code	Finish	Description
SI3010-19-41	Black Paint	31/32" Backset R.H. or R.H.R.B.
SI3020-19-41	Black Paint	31/32" Backset L.H. or L.H.R.B.
SI3030-19-41	Black Paint	1 1/8" Backset R.H. or R.H.R.B.
SI3040-19-41	Black Paint	1 1/8" Backset L.H. or L.H.R.B.

71⁰⁰

NOTE: THESE DRIVE ASSEMBLIES ARE ONLY FOR USE ON THE 3000 SERIES LOCKS DESCRIBED ABOVE.

Simplex LD 450

Features:

- Single access code—one easy to manage code for all users
- Lock is easily programmed via keypad once removed from door
- Pre-assembled for right hand door installations (easily changed in field)
- Locking Device Options:
 - + Tubular latch
- Operation Mode Options
 - + Single credential—access
 - + Latch holdback (easily removed in field)
- Warranty:
 - + 1-year warranty

Simplex LD 470

Features:

- Single access code—one easy to manage code for all users
- Lock is easily programmed via keypad once removed from door
- Pre-assembled for right hand door installations (easily changed in field)
- Locking Device Options:
 - + Tubular latch
- Operation Mode Options
 - + Single credential—access
 - + Passage (easily changed in field)
- Warranty:
 - + 1-year warranty



LD450



LD470

LD450

Code	Backset	Finish	Price
SILD451-3-5-32D-41	2 3/8"	Satin Stainless	152.00
SILD451-3-5-03-41	2 3/8"	Bright Brass	152.00
SILD451-3-5-05-41	2 3/8"	Antique Brass	152.00
SILD452-3-5-32D-41	2 3/4"	Satin Stainless	152.00
SILD452-3-5-03-41	2 3/4"	Bright Brass	152.00
SILD452-3-5-05-41	2 3/4"	Antique Brass	152.00

Knob

LD470

Code	Backset	Finish	Price
SILD471-4-8-32D-41	2 3/8"	Satin Stainless	286.00
SILD471-4-8-03-41	2 3/8"	Bright Brass	286.00
SILD471-4-8-05-41	2 3/8"	Antique Brass	286.00
SILD472-4-8-32D-41	2 3/4"	Satin Stainless	286.00
SILD472-4-8-03-41	2 3/4"	Bright Brass	286.00
SILD472-4-8-05-41	2 3/4"	Antique Brass	286.00

Lever



Accredited Lock Supply

www.acclock.com

E-Plex® Model 1500

The E-Plex 1500 Series provides exterior access by PIN code, while allowing free egress. This small, sleek keyless electronic pushbutton deadbolt lock replaces existing deadbolt and eliminates problems and costs associated with issuing, controlling, and collecting keys and cards.

- Construction:** Heavy-duty Grade 2 lockset, solid brass cast exterior housing with deadbolt, metal pushbuttons
- Backsets:** Adjustable 2 3/8" (60 mm) or 2 3/4" (70 mm)
- Minimum Stile Recommended:** 4" (102 mm)
- Door Preparation:** ASA 161—easily installs on door preparation with one additional through bore hole; wood or metal doors
- Door Thickness:** 1 5/8" (41 mm) to 2" (50 mm)
- Fire Rating:** Meets UL 10C on fire-rated doors up to and including three hours UL fire-rated deadbolt
- Durability:** BHMA 156.36, Grade 2; meets requirements of ANSI A156.25 for dust, rain, humidity, and salt spray corrosion tests
- Environmental:** Outside and inside housing; -31°F to 151°F (-35°C to 66°C)

Warranty: Two-year warranty from date of installation; built-in warranty counter in lock memory

No Wires: Requires no wiring to or through the door—eliminates risk of damage from pinched wires that can result in costly callbacks

Locking Device Options: Mechanical 1" throw deadbolt
Number of Codes: Multiple Users—100 Codes

Audit Trail: The most recent 1,000 lock events are recorded in memory, including the use of mechanical key override. Software is required to view audit events.

Programming: Lock is easily programmed via keypad without removing lock from the door or with optional Microsoft Excel-based software

Key Override: Kaba 1539 6-pin cylinder; Schlage "C" Keyway
Operation Modes:

- PIN access
- Passage—can be toggled on/off or can be pre-programmed to re-lock after a certain number of hours
- Lockout

Authority Levels (5): Authority levels allow who has access to specific lock operations, including:

- Master
- Manager
- Service User (one-time access or "come-and-go" access for 1 to 24 hours)
- Access User
- Maintenance Unit User

User Parameters:
 Code length—adjustable to accept 4 to 8 digits
 Anti-tamper lockout—adjustable from 3 to 9 invalid attempts with an adjustable period of 0 to 90 seconds
 Re-lock time—adjustable from 2 to 20 seconds



SIE1502-626 **300.00**
 Deadbolt lock with key override, 100 access codes, 1,000 audit events. Satin Chrome

SIE1502-605 **325.00**
 Deadbolt lock with key override, 100 access codes, 1,000 audit events. Bright Brass

E-Plex® Wireless System

- Modular and flexible design
- Scalable to accommodate any size enterprise
- Lock Upgrade Kits for new or existing locks
- Supports various locking device options
- Compatible with Mifare®, DESFire®, and iClass™ Smart Cards, PROX RFID Cards
- PIN, card or dual credential
- 3,000 users per door
- 30,000 audit events
- Access schedules and visitor management



Call for Pricing and Ordering Information

Features :

- Real-time functionality of events and alarms
- Eliminates visiting doors to update information
- Centralized access control management
- Ability to manage both wireless and stand-alone locks
- Emergency global lockdown or passage of locks
- Manage up to 100 wireless locks without a network interface
- Compatible with existing Wi-Fi network using optional adapter
- Proven wireless technology
- Mesh network for redundancy
- Portability allows locks to be easily moved

E-Plex Lock and Controller Compatibility (Cabinet Locks):

- E-Plex 5690/5790, 5890, 5990
- Server Cabinet Locks

System Specifications :

- Uses ZigBee technology, 2.4 GHz low-power digital radio frequencies
- Communicates to server by either direct connection (USB) or Ethernet cable (network)
- Powered by USB, Power over Ethernet (PoE), or 120vAC adapter
- Network size is 10,000 access points (maximum)
- Security: 128 bit Advanced Encryption Standard (AES) plus application layer security
- Range is 700' line of sight, 200' typical

E-Plex Lock and Controller Compatibility :

- E-Plex 3200, 3600, 3700 Locks for narrow stile openings
- E-Plex 5200, 5600, 5700 Locks for standard doors
- E-Plex 5270, 5670, 5770 Controllers for specialized openings, such as garage doors, parking gates, and turnstiles

Enterprise Software Version:

- 3,000 access codes
- 30,000 audit events
- Access schedules and visitor management
- A single PC or network environment installation