

i-QWIK LITE ACCESS CONTROL

The i-Qwik Line is Marks USA freestanding access control locksets. They allow doors to be locked or unlocked via a user-programmable keypad, rather than a key. All i-Qwik Line Locksets feature the "CableGard™" to protect the wiring going through the door.

- Cablegard™ protects wires for easy installation
- Standard ANSI door prep with one additional hole
- Pre-programmed code
- Keypad Programmable
- 160 User codes
- Temporary user codes
- Passage Mode
- Pin only mode
- Double code entry for maximum security
- Two wire remote release
- 16 Digital tactile metal keypad
- Durable black powder coat finish with 26D American levers
- Weatherproof standard
- Audible & visible entry indicator
- Audible low battery alert
- 4 "AA" batteries; 100,000 operations
- Lifetime Mechanical Warranty; 2 Year Electronic Warranty



Cylindrical Lockset		
MHIQ1LITE	Marks 'C'	520.00
MHIQ1LITE-G1	IC Core	520.00
Mortise Lockset		
MHIQ2LITE	Marks 'C'	840.00
Exit Trim		
MHIQ7LITE	Marks 'C'	730.00

BIOMETRIC FINGERPRINT READER

The New 175BIO is a hi-tech fingerprint recognition system that eliminates the risk of replication or unauthorized use. This unit is combined with the Marks Grade 2 Cylindrical Survivor Leverset. Power is supplied via 4 "AA" batteries. This unit comes standard for 100 users, and has a 4000 event audit trail. The reader reads 80 points of your finger as your credentials for access. This setting can be changed using the software to 30 points. This helps users who have hard to read fingers gain access. The reader has live fingerprint detection. The reader will read the small amount of static electricity to determine a fake fingerprint.

FINGERPRINT READER FEATURES:

- User Codes: 100 Users standard
- Audit Trail: 4000 Events
- Batteries: 4 AA Batteries; 1 year - Low battery warnings
- Search Time: Less than one second
- Reader Type: Optical sensor
- Resolution: 500dpi
- FRR (False Rejection Rate): <0.1%
- FAR (False Acceptance Rate): 0.001%
- Live fingerprint detection
- Weather resistance outside for -4°F to 122°F; Meets IPX4 Standard
- Reader installation requires 4 thru-bolts and one 1" hole for cables
- Outside reader housing powder coated aluminum 1-1/2" H x 4-7/8" L x 2-1/8" W
- Lockset standard ANSI door prep
- Inside housing ABS plastic powder coated finish
- 6 Digit keypad used for enrolling/deleting users at the door
- Software (CD included with lockset) connects your BIO lock to your computer for additional programming of your locks and viewing of audit trail, via USB cable (not included). Software runs on Windows Vista, 2000 XP.



MH174BI 0 Enroller	
Optical fingerprint enroller. Runs on Windows operating system.	MH173BIO USB Cable 29.00
463.00	
MH175BIO-26D	1100.00

"DEFENDER" TUBULAR DEADBOLT

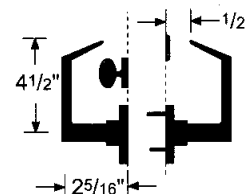
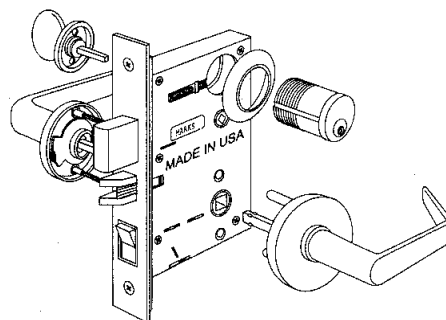


- **Bolt:** 1" throw
- Unitized assemblies for 2 1/8" bore
- **Strike:** #1335, 2 3/4" x 1 1/8" strike
- **Door thickness:** 1 5/8" - 1 7/8"
- **Cylinder:** MARKS "C" keyway, 6 pin w/2 keys
- **Backset:** 2 3/8". 2 3/4" option E4, \$7.00 w/1 1/8" x 2 1/4" face.
- **Latch:** 1" x 2 1/4" front

P/N	Function	Backset	Finish	Price
MH130K/3	Single Cyl	2 3/8"	Polished Brass	162.00
MH130K/32D	Single Cyl	2 3/8"	Satin Stainless	162.00
MH130M/3	Double Cyl	2 3/8"	Polished Brass	186.00
MH130M/32D	Double Cyl	2 3/8"	Satin Stainless	186.00

LEVER MORTISE ENTRANCE LOCKSETS

AMERICAN TRIM DESIGN - Grade 2



- Thru-Bolted Lever/Rose Assembly
- Steel Reinforced Brass Roses, 2-9/16" dia. x 3/8"
- Solid Forged Brass, Screwless Levers
- Independent, Spring Loaded 5/16" Spindles
- Solid Bar Stock, Brass Cylinders, 6 pin
- Reversible Mortise Lock With Lever Support Springs

MH9RW92A-US3E	Lifetime Polished Brass	566.00
MH9RW92A-US26D	Satin Chrome	545.00

"DEFENDER" CYLINDRICAL CARTRIDGE DEADLATCH



- **Latch:** Grade1, Series 1 cylindrical cartridge, 9/16" throw
- Unitized assemblies for 2 1/8" bore
- **Strike:** #1136, 2 3/4"
- **Door thickness:** 1 3/8" - 2 3/8" (1 3/8" requires spacer ring K1342, \$15.00)
- **Cylinder:** MARKS "C" keyway, 6 pin w/2 keys
- **Backset:** 2 3/4"
- **Latch:** 1 1/8" x 2 1/4" front

P/N	Function	Backset	Finish	Price
MH145K/32D	Single Cyl	2 3/4"	Satin Stainless	208.00
MH145RK/32D	SFIC* Single	2 3/4"	Satin Stainless	208.00
MH145M/3	Double Cyl	2 3/4"	Polished Brass	225.00
MH145RM/3	SFIC* Double	2 3/4"	Polished Brass	225.00
MH145M/32D	Double Cyl	2 3/4"	Satin Stainless	225.00
MH145RM/32D	SFIC* Double	2 3/4"	Satin Stainless	225.00

* IC core not included

NARROW BACKSET MORTISE LOCKSET

THINLINE®

- LOCK BODY**
- Backset: 1"
 - Swing deadbolt, solid steel *single turn*, 1" throw.
 - Latch: solid brass, 1/2" projection, easily reversible.
 - Hub: high strength, solid steel.
- Specify handing.

- TRIM**
- Solid forged brass Thinline lever assembled with solid forged plate. Polished brass (US 3).
 - Thru-Bolted.
 - 2638 strike.

- CYLINDER**
- Solid brass
 - REKEYABLE



For 'C' keyway, use option code G5, and add \$15.00 to list price.

P/N	Function	Finish	Price
MH2750B-US3	Entrance	Polished Brass	207.00
MH2750B-US26D	Entrance	Satin Chrome	233.00
MH2750C-US3	Entrance-Dbl Cyl	Polished Brass	207.00
MH2750C-US26D	Entrance-Dbl Cyl	Satin Chrome	233.00

MORTISE ENTRANCE LOCKSETS

91A METRO-2 1/2" Backset 71A METRO - 2 3/4" Backset

METRO Mortise Entrance Lockset

- Surface mounted escutcheon plates
- Screw on knobs with swivel spindle
- Polished Brass - US3

Exterior Trim Assembly:

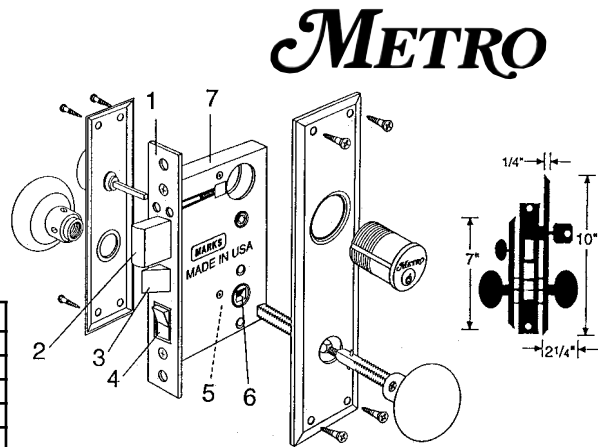
- Steel reinforced brass plate with cylinder recess
- 10"H x 2 3/4"W
- Wrought brass knob, 2 1/4" diam.
- Two piece 9/32" steel swivel spindle

Interior Trim Assembly:

- Steel reinforced plate
- 7"H x 2 1/4"W
- Wrought brass knob, 2 1/4" diameter

- Cylinder: 5 pin, 1 1/8" long with 2 brass keys
- Strike: ANSI spec A115.1, 4 7/8" x 1 1/4" x 3/32" thick, 5/8" curved lip

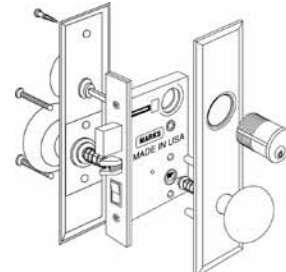
Code	Function	Front Size	Price
MH91A-US3	Entrance	1 1/16" x 7 5/8"	114.98
MH91A-US3-X	Entrance	1 1/4" x 8"	127.58
MH71A-US3	Entrance	1 1/4" x 8"	132.30
MH91D-US3	Office/Vestibule	1 1/16" x 7 5/8"	114.98
MH91DW-US3	Vestibule	1 1/16" x 7 5/8"	114.98



114 SERIES METRO ENTRANCE MORTISE LOCKSET

- Thru-bolted knob/plate assemblies.
- Exterior Trim Assembly
- Steel reinforced brass plate w/cylinder recess. 10" x 2-3/4", polished brass finish (US 3)
- Wrought brass screwless knob 2-1/4" diameter w/ integral spring-loaded 9/32" spindle.
- Two thru-posts pass through lock body
- Interior Trim Assembly
- Steel reinforced plate, 7 x 2-1/4" plate polished brass finish
- Wrought brass screwless knob, 2-1/4" diameter w/integral spring-loaded 9/32" spindle.
- Mounting bolts (#8-32) engage thru-posts of exterior trim assembly.
- Cylinder 5 pin cylinder(s), 1-1/8" long, with 2 keys
- Strike 4-7/8" x 1-1/4" x 3/32" thick, 5/8" curved lip
- Conforms to ANSI spec A115.1

MH114A/3	Entrance	115.50
MH114A/3-X	Entrance	128.10
MH114A/26D	Entrance	149.10
MH114A/26D-X	Entrance	159.50
MH114DW/3	Vestibule	115.50
MH114DW/26D	Vestibule	149.10



INSIDE & OUTSIDE TRIM

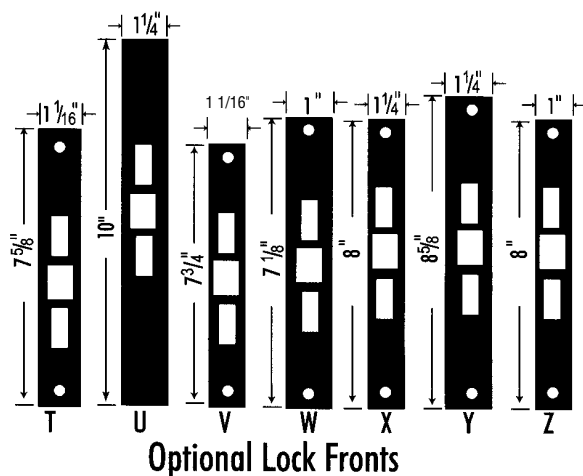
MHNS02-50/26D	Inside Trim	33.00
MHNY01-50/26D	Outside Trim	36.00
MHNS02-50/3	Inside Trim	22.00
MHNY01-50/3	Outside Trim	25.20

116 SERIES METRO LEVER ENTRANCE MORTISE LOCKSET

MH116A/3	Entrance	113.00
MH116A/3-X	Entrance	123.00
MH116A/26D	Entrance	151.00
MH116A/26D-X	Entrance	170.00
MH116DW/3	Vestibule	113.00
MH116DW/26D	Vestibule	159.00



OPTIONAL MORTISE LOCK BODY FRONTS



For 6 and 7 Series Mortise Bodies

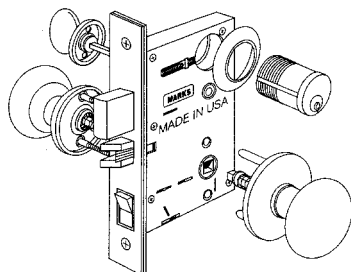
For 8 and 9 Series Mortise Bodies

Code	Finish	Dimensions	Price
MHK7004A-26-Z	Polished Chrome	1" x 8"	48.00
MHK7004A-26D	Satin Chrome	1 1/4" x 8"	25.00
MHK7004A/3	Polished Brass	1 1/4" x 8"	26.00
MHK7004A/3-Z	Polished Brass	1" x 8"	35.00
MHK7004B/3	Polished Brass	1 1/4" x 8"	26.00
MHK7004DW/3	Polished Brass	1 1/4" x 8"	28.00
MHK7004DW/3-Z	Polished Brass	1" x 8"	33.00
MHK7004DW/32D	Satin Stainless Steel	1 1/4" x 8"	28.00
MHK7004DW/32D-Z	Satin Stainless Steel	1" x 8"	33.00
MH9004A/10B-T	Dark Bronze	1 1/16" x 7 5/8"	27.00
MH9004A/3-T	Polished Brass	1 1/16" x 7 5/8"	19.00
MH9004A/3-V	Polished Brass	1 1/16" x 7 3/4"	21.00
MH9004A/4-T	Satin Brass	1 1/16" x 7 5/8"	24.50
MH9004A/4-U	Satin Brass	1 1/4" x 10"	82.00
MH9004A/4-W	Satin Brass	1" x 7 1/8"	16.00
MH9004A/4-Y	Satin Brass	1 1/4" x 8 5/8"	79.00
MH9004DW/3-T	Polished Brass	1 1/16" x 7 5/8"	18.00

Accredited Lock Supply

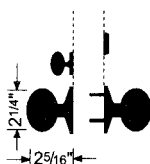
www.acclock.com

APOLLO TRIM DESIGN



Knobs:
Brass or stainless steel, steel reinforced, 2-1/4" dia., round
Roses:
Steel reinforced brass 2-9/16" dia. x 1/4"

NEW!
HEAVY DUTY
KNOBS



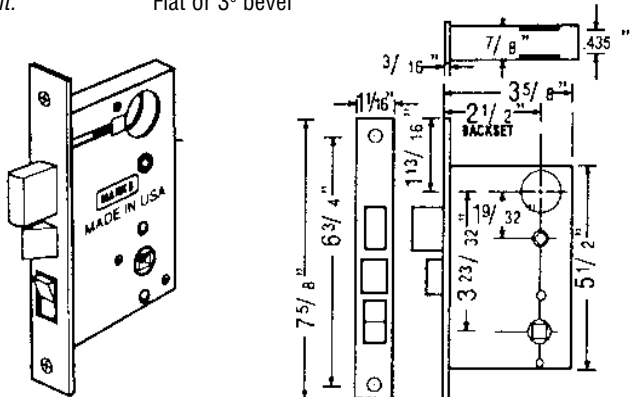
- Thru-Bolted knob/rose assemblies
- Independent, spring loaded 9/32" spindles
- Concealed Mounting Screws
- Solid bar stock, brass cylinders, 6 pin
- Screwless Knobs
- Reversible mortise lock, 2 1/2" backset

MH9RW10A-US3	Entrance	511.00
MH9RW10A-US32D	Entrance	511.00
MHKRW10-US3	Knob/Rose Trim Kit	184.00
MHKRW10-US32D	Knob/Rose Trim Kit	184.00

8/9 STANDARD SERIES MORTISE LOCK BODIES

Locks Only. Order Strikes Separately. All Locks Reversible. Cylinder Cam Required. All Functions: 2101 Straight Cam.

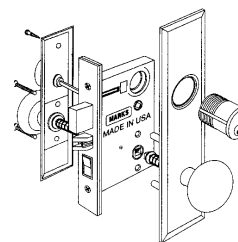
- Backset:** 2 1/2"
- Standard Front:** 1 1/16" x 8"
- Bolt Throw:** 1"
- Latch Throw:** 1/2"
- Case:** High Pressure cast
- Hubs:** 9/32 on sq. forged brass with security separator
- Front:** Flat or 3° bevel



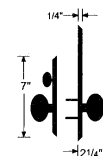
Code	Finish	Function	Price
FOR HANDLES			
MH8A-US3	Polished Brass	Entrance	307.00
MH8F-US3	Polished Brass	Dormitory	307.00
FOR KNOBS AND LEVERS			
MH9A-US3	Polished Brass	Entrance	275.00
MH9DW-US3	Polished Brass	Vestibule	261.00
MH9F-US3	Polished Brass	Dormitory	275.00

NEW YORKER

- Solid brass trim
- Steel reinforced heavy duty round knobs, 2 1/4" dia.
- Thru-Bolted knob/plate assemblies



Knobs:
Brass or stainless steel, steel reinforced, 2-1/4" dia., round
Plates:
Wrought brass or stainless steel exterior 10" x 2-3/4"; Wrought brass/steel, or stainless steel interior 7" x 2-1/4";

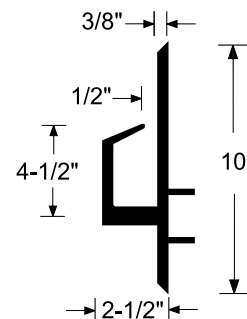


Packed 12 per case

Code	Finish	Backset	Front Size	Price
MH5NY10A-US3	Polished Brass	2 3/4" U.L.	1 1/4" x 8"	411.00
MH5NY10A-US26D	Satin Chrome	2 3/4" U.L.	1 1/4" x 8"	444.00
MH7NY10A-US26D	Satin Chrome	2 3/4"	1 1/4" x 8"	414.00
MH7NY10A-US3	Polished Brass	2 3/4"	1 1/4" x 8"	381.00
MH7NY10D-US3	Polished Brass	2 3/4"	1 1/4" x 8"	365.00
MH7NY10D-US26D	Satin Chrome	2 3/4"	1 1/4" x 8"	401.00
MH7NY10DW-US3	Polished Brass	2 3/4"	1 1/4" x 8"	365.00
MH7NY10DW-US26D	Satin Chrome	2 3/4"	1 1/4" x 8"	401.00

MH9NY10A-US26D	Satin Chrome	2 1/2"	1 1/16" x 7 5/8"	414.00
MH9NY10A-US3	Polished Brass	2 1/2"	1 1/16" x 7 5/8"	381.00
MH9NY10A-US3/X	Polished Brass	2 1/2"	1 1/4" x 8"	404.00
MH9NY10A-US3/Z	Polished Brass	2 1/2"	1" x 8"	404.00
MH9NY10D-US3	Polished Brass	2 1/2"	1 1/16" x 7 5/8"	365.00
MH9NY10D-US3/Z	Polished Brass	2 1/2"	1" x 8"	388.00
MH9NY10DW-US3	Polished Brass	2 1/2"	1 1/16" x 7 5/8"	365.00
MH9NY10N-US3	Polished Brass	2 1/2"	1 1/16" x 7 5/8"	263.00

NEW YORKER W/AMERICAN LEVER



- Thru-bolted screwless knob/lever plate assemblies
- Interior plate 7" x 2 1/4"
- Independent spring loaded captivated spindles
- Reversible mortise lock 2 3/4" backset
- Lever support springs
- Lock front Series 7: 1 1/4" x 8"
- Cylinder: Marks 'C' keyway, 6 pin w/2 keys

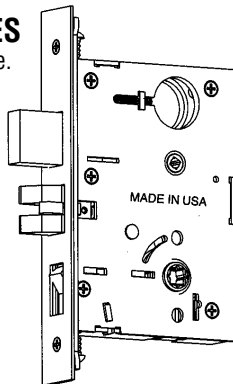
MH7NY92A-3
Polished Brass
473⁰⁰

www.acclock.com

5 SERIES GRADE 1 MORTISE LOCK BODIES

Locks Only. Order Strikes Separately. All Locks Reversible.

- Backset: 2 3/4"
- Standard Front: 1 1/4" x 8" Adjustable bevel
- Bolt Throw: 1"
- Latch Throw: 3/4" (anti-friction)
- Case: Stamped steel
- Hubs: Steel, 9/32" on diamond
5/16" on square w/security separator

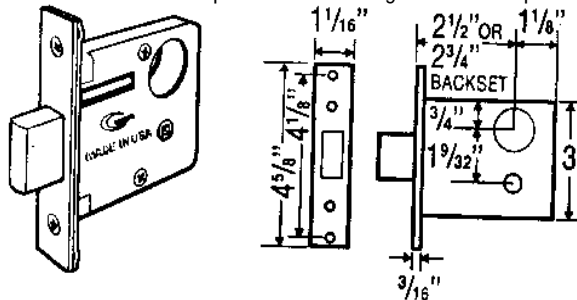


For Knobs and Levers
Electrified Functions Available

Code	Finish	Function	Price
MH5A-US3	Polished Brass	Entrance	305.00
ML5A-US32D	Polished Brass	Entrance	305.00
MH5B-US3	Polished Brass	Entrance	305.00
MH5B-US32D	Polished Brass	Vestibule	305.00
MH5EW-US3	Polished Brass	Dormitory	291.00
MH5EW-US32D	Satin Stainless Steel	Storeroom	291.00
MH5FD/US3-B4	Polished Brass	Apartment	345.00
MH5FD/US32D-B4	Satin Stainless Steel	Apartment	345.00
MH5FW-US3	Polished Brass	Dormitory	305.00
MH5FW-US32D	Satin Stainless Steel	Dormitory	305.00
MH5J-US3	Polished Brass	Classroom	291.00
MH5J-US32D	Satin Stainless Steel	Classroom	291.00

MORTISE DEADLOCKS

1" Bolt Throw. High Pressure Cast Case. Front: 1 1/16" x 4 5/8" plate, can be beveled. Reversible. Strike 4035. Complete Screw Package. Packed 12 per case



BACKSET: 2 1/2"

Code	Finish	Description	Price
MH2K-US26D	Satin Chrome	Single Cylinder	175.00
MH2K-US3	Polished Brass	Single Cylinder	175.00
MH2M-US26D	Satin Chrome	Double Cylinder	185.00
MH2M-US3	Polished Brass	Double Cylinder	185.00

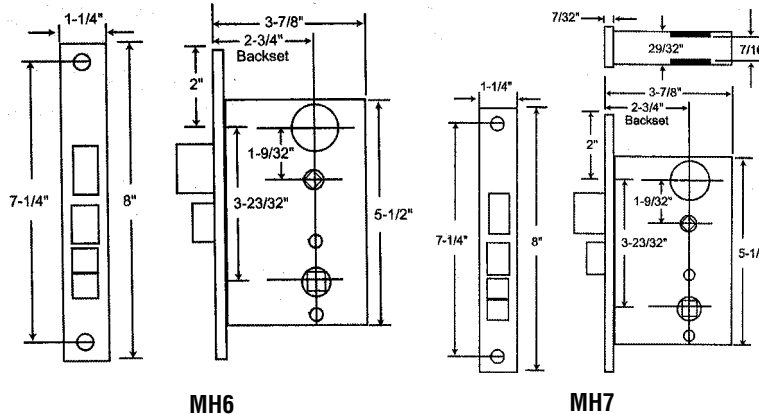
BACKSET: 2 3/4"

Code	Finish	Description	Price
MH3K-US26D	Satin Chrome	Single Cylinder	175.00
MH3K-US3	Polished Brass	Single Cylinder	175.00
MH3M-US26D	Satin Chrome	Double Cylinder	185.00
MH3M-US3	Polished Brass	Double Cylinder	185.00

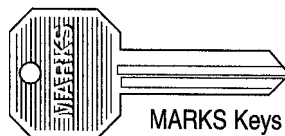
6/7 HEAVY DUTY SERIES MORTISE LOCK BODIES

Locks Only. Order Strikes Separately. All Locks Reversible.

- Backset: 2 3/4"
- Standard Front: 1 1/4" x 8"
- Bolt Throw: 1"
- Latch Throw: 5/8"
- Case: High pressure cast
- Hubs: 9/32 on so. forged brass with security separator
- Front: Flat or 3° bevel



KEY BLANKS

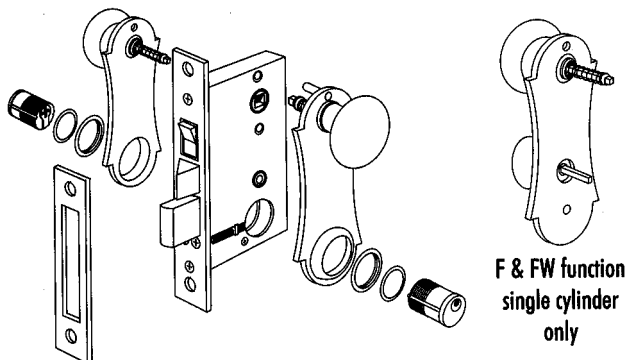


P/N	Description	Price
MH2164A	Marks 'A' 5 pin brass	4.00
MH2164C	Marks 'C' 5 pin brass, nickel plated	4.00
MH2184A	Marks 'A' 6 pin nickel silver	5.00
MH2184C	Marks 'C' 6 pin nickel silver	5.00
MH2185C	Marks 'C' 6 pin large bow	7.00

Code	Finish	Function	Price
FOR HANDLESETS			
MH6A-US3	Polished Brass	Entrance	307.00
MH6F-US3	Polished Brass	Dormitory	307.00
FOR KNOBS AND LEVERS			
MH7A-US3	Polished Brass	Entrance	275.00
MH7DW-US3	Polished Brass	Vestibule	261.00
MH7F-US3	Polished Brass	Dormitory	275.00

ORNAMENTAL IRON

Series 21 Unilock™



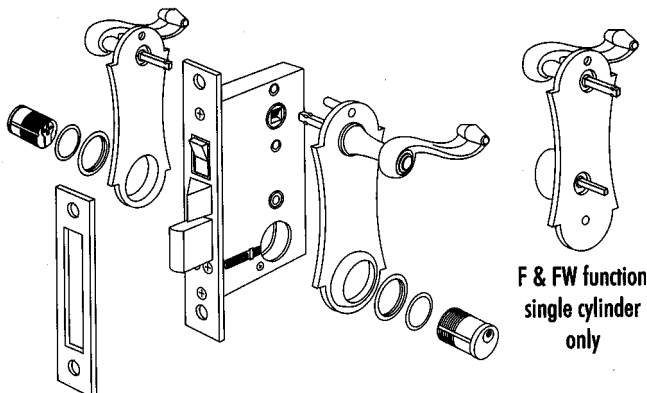
F & FW function
single cylinder
only

Standard Features

- Door Thickness: 1"
- Series 9 lock body, Backset: 2 1/2"
- Reversible mortise lock 1" bolt, 1/2" latch projection
- Lock front: 1" x 7 1/8"
- Thru-bolted solid brass trim assemblies
- Spring loaded captivated spindles
- Cylinder: 5 pin w/ 2 keys
- Keyway: Marks "A"

MH21AC/3-W	Entrance	Polished Brass	247.00
MH21AC/26D-W	Entrance	Satin Chrome	265.00

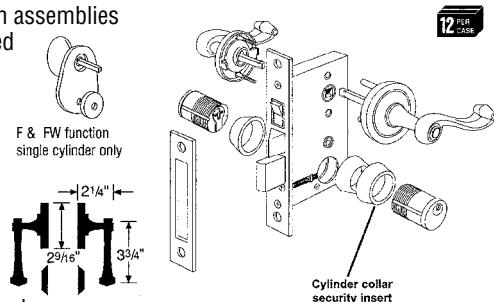
Series 9215 Unilock™



F & FW function
single cylinder
only

MH9215AC/3-W	Entrance	Polished Brass	341.00
MH9215AC/5-W	Entrance	Antique Brass	359.00
MH9215AC/26D-W	Entrance	Satin Chrome	359.00

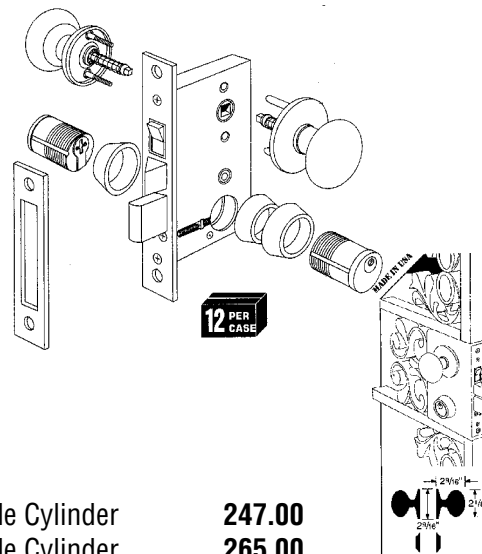
- Thru-bolted, solid brass trim assemblies
- Lock and trim easily reversed
- Screwless levers
- Exterior and interior trim assemblies (Interior turn-piece on single cylinder models only)
- Spring loaded spindles
- Reversible mortise lock, 1" bolt, 1/2" latch
- Backset: 2 1/2"
- Front: "W", 1" x 7 1/8" standard
- Strike and mounting screws
- Door thickness, 1" - 1 1/4" (standard)



MH9225AC-US3	Double Cylinder	341.00
MH9225AC-US26D	Double Cylinder	359.00

KNOB/ROSE MORTISE LOCKSETS

- Thru-bolted, solid brass trim assemblies
- Lock easily reversed
- Screwless knobs
- Cylinder collar security insert

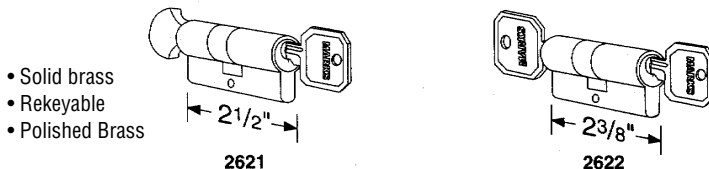


- Exterior and interior knob/rose assembly (interior turnpiece on single cylinder models only).
- Cylinder collars with exterior security insert
- Integral spring-loaded spindles
- Reversible mortise lock, 1" bolt 1/2" latch. Backset 2 1/2".
- "W" front: 1" x 7 1/8"
- Strike and mounting screws

MH22AC/W-US3	Double Cylinder	247.00
MH22AC/W-US26D	Double Cylinder	265.00

NARROW PROFILE CYLINDERS

'A' & 'C' Keyways Available



- Solid brass
- Rekeyable
- Polished Brass

Price for 'A' keyway

MH2621-US3	Single Cyl x Thumbturn	67.00
MH2621-US26D	Single Cyl x Thumbturn	74.00
MH2622-US3	Double Cylinder	48.00
MH2622-US26D	Double Cylinder	60.00

For 'C' keyway, add \$14.00 list

• CYLINDRICAL LOCKSETS

195 SURVIVOR SERIES

"The Clutch"

- ANSI Grade 1
- U.L. Listed, 3 hour fire rated
- Clutch: Outside lever, when locked, is not rigid but will turn without opening the latch.
- Cast stainless steel retractor with roller bearings
- Standard backset: 2 3/4"
- Front: 1 1/8" x 2 1/4"
- Levers: Solid cast Zamac with 1/2" return
- Roses: Thru-bolted, 3 7/16" dia., spring loaded
- Cylinder: Solid brass, 6 pin
- Strike: #1135 4 7/8" ASA curved lip
- Door thickness: 1 5/8" to 1 7/8". 1 3/8" with #K1904 spacer rings



American Lever

Electrified Option Available

Use Pro-Lok **IN78-PRO/INCL-PRO** Templates
 Use Pro-Lok **EWP-IN20-FP-S-9**
 or **EWP-IN20-FP-S-14** Flat Plate

Code	Finish	Function	Keyway	Price
MH195AB-US3	Polished Brass	Entrance	Schlage	431.00
MH195AB-US26D	Satin Chrome	Entrance	Schlage	431.00
MH195F-US3	Polished Brass	Storeroom	Schlage	431.00
MH195F-US26D	Satin Chrome	Storeroom	Schlage	431.00
MH195N-US3	Polished Brass	Passage		392.00
MH195N-US26D	Satin Chrome	Passage		392.00

295 SURVIVOR SERIES

"The Clutch"

- ANSI Grade 1
- U.L. Listed, 3 hour fire rated
- Clutch: Outside lever, when locked, is not rigid but will turn without opening the latch.
- Cast stainless steel retractor with roller bearings
- Standard backset: 2 3/4"
- Front: 1 1/8" x 2 1/4"
- Levers: Solid cast Zamac with 1/2" return
- Roses: Thru-bolted, 3 7/16" dia., spring loaded
- Cylinder: Solid brass, 6 pin
- Strike: #1135 4 7/8" ASA curved lip
- Door thickness: 1 5/8" to 1 7/8". 1 3/8" with #K1904 spacer rings



Crescent Lever

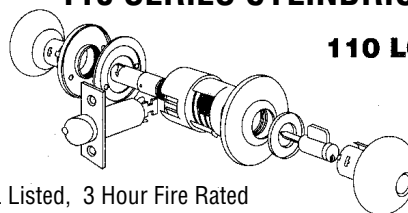
Use Pro-Lok **IN78-PRO/INCL-PRO** Templates
 Use Pro-Lok **EWP-IN20-FP-S-9**
 or **EWP-IN20-FP-S-14** Flat Plate

Code	Finish	Function	Keyway	Price
MH295AB-US26D	Satin Chrome	Entrance	Schlage	431.00
MH295F-US26D	Satin Chrome	Storeroom	Schlage	431.00
MH295N-US26D	Satin Chrome	Passage		392.00

110 SERIES CYLINDRICAL LOCKSETS

110 LOCK SERIES

ANSI GRADE 2 *Plus*
 STD. BACKSET: 2 3/8"
 ROUND KNOB



- UL Listed, 3 Hour Fire Rated
- Thru-Bolted Mounting Plate
- Cast Stainless Steel Retractor w/Roller Bearings
- Standard Keyways: 6 pin

Keyways:
A: Marks- accepts Arrow,
 Kwikset, Segal 9
C: Schlage- accepts Schlage C

Code	Finish	Function	Keyway	Price
MH110AB-US3	Polished Brass	Entrance	Marks	196.00
MH110AB-US32D	Satin Stainless Steel	Entrance	Schlage	196.00
MH110AB-US32D	Satin Stainless Steel	Entrance	Marks	196.00
MH110DC-US32D	Satin Stainless Steel	Communicating	Schlage	222.00
MH110F-US3	Polished Brass	Storeroom	Schlage	196.00
MH110F-US32D	Satin Stainless Steel	Storeroom	Schlage	196.00
MH110L-US3	Polished Brass	Privacy		166.00
MH110L-US32D	Satin Stainless Steel	Privacy		166.00
MH110N-US3	Polished Brass	Passage		139.00
MH110N-US32D	Satin Stainless Steel	Passage		139.00
MH110S-US3	Polished Brass	Classroom	Marks	196.00
MH110S-US32D	Satin Stainless Steel	Classroom	Marks	196.00

IC CORE (Core Not Included)				
MH110RAB-US3	Polished Brass	Entrance	Int. Core	238.00
MH110RAB-US32D	Satin Stainless Steel	Entrance	Int. Core	238.00

1120 CONTRACT LINE CYLINDRICAL KNOBSETS

- ANSI Grade 2
- U.L. Listed, 3 hour fire rated
- Life Test: 400,000 cycles min.
- Standard backset: 2 3/8", 2 3/4" optional
- Latch: 1" x 2 1/4" front, 1/2" throw for 2 3/8" backset
- Knobs: 2" diameter ball
- Roses: 3" dia.
- Cylinder: 6 pin, Marks "C" keyway
- Strike: 2 3/4" "T" standard
- Door thickness: 1 3/8" to 1 3/4"



P/N	Function	Finish
MH1120AB	Entrance	3, 32D
MH1120F	Storeroom	97.00
MH1120L	Privacy	67.00
MH1120N	Passage	64.00
MH1120DO	1/2 Dummy	44.00

Finishes

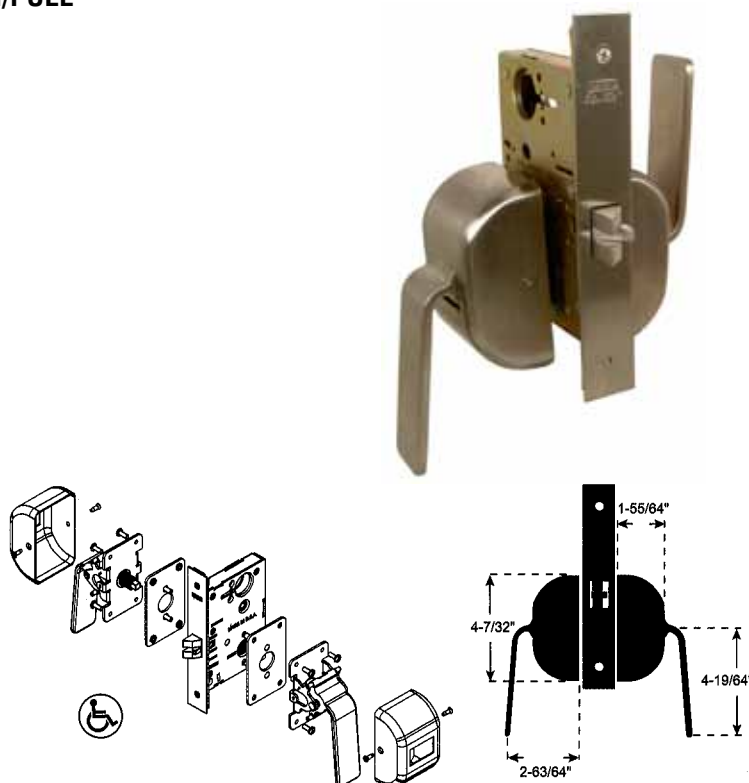
- US3** Polished Brass
- US4** Satin Brass
- US10B** Dark Bronze
- US26D** Satin Chrome
- US32D** Satin Stainless Steel

SERIES PD INSTITUTIONAL LIFE SAFETY MORTISE HOSPITAL PUSH/PULL

Standard Features

- Backset: 5 Series 2-3/4", 55 Series 2-1/2"
- Strike: #9035, 4-7/8" ASA curved lip strike
- Door Thickness: 1-3/4", self adjusting for thicker doors
- ANSI-A156.2, Grade 1
- ADA Compliant. Non-Handed
- Lead lining and engraving available
- Government standard #161
- Functional, modern design with variable mounting positions
- Short throw angle allows for easy push/pull action to open doors even when hands are not free
- Standard 32D finish, Consult factory for available finishes
- Universal assemblies can be push/pull vertical up or down
- Easily reversible configuration for push or pull styles

P/N	Function	Finish	Deadbolt	Price
MH5PDEW/32D	Storeroom	Satin Stainless Steel	No	735.00
MH5PDA/32D	Entrance	Satin Stainless Steel	Yes	750.00
MH5PDFW/32D	Dormitory	Satin Stainless Steel	Yes	750.00
MH5PDH/32D	Hotel	Satin Stainless Steel	Yes	773.00
MH5PDN/32D	Passage	Satin Stainless Steel	No	633.00
MH5PDL/32D	Bathroom	Satin Stainless Steel	No	750.00
MH5PDLJ/32D	Privacy	Satin Stainless Steel	No	688.00

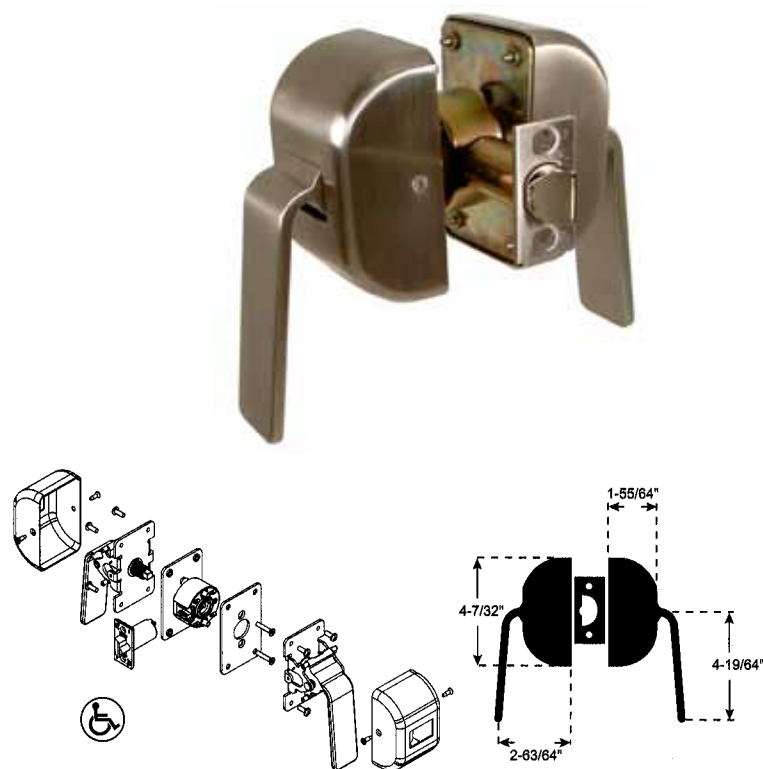


SERIES PD INSTITUTIONAL LIFE SAFETY CYLINDRICAL HOSPITAL PUSH/PULL

- Backset: 2-3/4" standard, 2-3/8" and 5" optional
- Strike: #1136, 2-3/4" "T" strike; #1135 4-7/8" ASA strike optional
- Door Thickness: 1-3/4", self adjusting for thicker doors
- ANSI-A156.2, Grade 1
- ADA Compliant. Non-Handed
- Lead lining and engraving available
- Government standard #161
- Functional, modern design with variable mounting positions
- Short throw angle allows for easy push/pull action to open doors even when hands are not free
- Standard 32D finish, Consult factory for available finishes
- Universal assemblies can be push/pull vertical up or down
- Easily reversible configuration for push or pull styles

Available only in Passage Function

MH180PDN/32D Satin Stainless Steel **318.00**



SERIES SS19 INSTITUTIONAL LIFE SAFETY MORTISE LOCKSETS - LEVERS

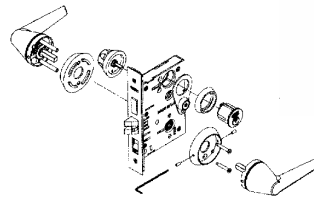
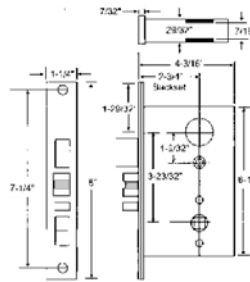
Performance Specifications

Life Test: 1,500,000 cycles minimum.

Trim Specifications

Exterior & Interior Trim:

- Solid stainless steel interior and exterior tapered levers recessed into thru-bolted roses
- Specially ergonomically designed integral grooved turn knob for elderly and handicapped access (Patent 0#587556) on some functions.
- Needle bearings ensure smoothness of operation
- **Cylinder:** Solid stainless steel cylinders with solid stainless steel security collars; Optional HI-SECURITY™ cylinders available
- **Strike:** 4-7/8" curved lip stainless steel w/tamperproof screws
- **Door Thickness:** 1-3/4" standard; Extended range available
- **Door Prep:** ANSI A115.110ck face cutout, with 2-1/8" through hole for knob/rose assembly
- **Backset:** 5 Series: 2-3/4" standard, 55 Series: 2-1/2" optional
- **Lock Front:** Adjustable bevel steel backplate 1-1/4" x 8" x 7/64" thick, Cover plate 1/16" thick with tamper proof screws
- **Latch:** Solid stainless steel with antifriction latch lever, 3/4" throw (reversible)
- **Aux. Deadlatch:** 1/2" throw, (reversible)
- **Case:** Stamped steel 3/32" thick, zinc dichromate finish
- **Hubs:** Steel, 9/32" on diamond, 5/16" on square w/security separator
- **Hub Lock Arm:** (to lock hub) Steel 1/8" thick
- **Spindles:** Independent spring-loaded spindles



P/N	Function	Finish	Deadbolt	Price
MH5SS19E-32D	Office	Satin Stainless Steel	No	1066.00
MH5SS19EW-32D	Storeroom	Satin Stainless Steel	No	1066.00
MH5SS19GL-32D	Inst. Privacy	Satin Stainless Steel	No	1066.00
MH5SS19J-32D	Classroom	Satin Stainless Steel	No	1066.00
MH5SS19LJ-32D	Privacy	Satin Stainless Steel	No	1250.00
MH5SS19N-32D	Passage	Satin Stainless Steel	No	1027.00
MH5SS19WW-32D	Institutional	Satin Stainless Steel	No	1095.00

M9900 SERIES PANIC EXIT DEVICE

The M9900 presents a simple, heavy-duty, easily installed solution where high quality panic and fire listed hardware is needed. Used for high impact applications such as schools, universities and other institutional or commercial buildings, the patented exit devices in the M9900 Series are available with trim options.

SPECIFICATIONS

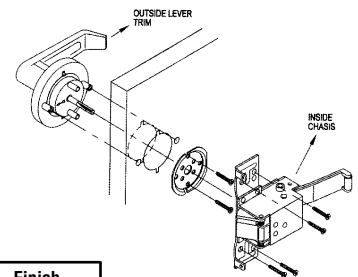
- Doors:** 1-3/4" thick standard.
- End Cover:** Flush mounted beveled "Panic Protector" design.
- Strike:** Roller strike.
- Rail Assembly:** Extruded Aluminum, 320 finish.
- Dead Latch Bolt:** Stainless Steel 3/4" throw.
- Dead Latch Bolt:** Stainless Steel 5/8".
- Dogging Feature:** Allen Key (M9900)
- UL Listed:** For "Panic Hardware" and Fire Rated Model 3 hour fire doors up to 38" X 86".
- ANSI:** ANSI 156.3 (2001), requirements for Grade 1.
- Finish:** Stainless steel satin finish.



M411



Lever-Rose



Exit Trim

P/N	Description	Finish
MHMESC600/A-26D	Lever/Esc.Entry	26D
MHMESC600/F-26D	Lever/Esc.Storeroom	121.00
MHMESC600/N-26D	Lever/Esc.Passage	105.00
MHMLHL600/N-26D	Lever/Rose Passage	89.00
MHMLH650/A-26D	Lever/Rose Entry	100.00
MHMLH650/A-26D-G1	Lever/Rose Entry IC	100.00
MHMLH680/F-26D	Lever/Rose Storeroom	100.00
MHMLH680/F-26D-G1	Lever/Rose Storeroom IC	100.00
MHM411-26D	Finger Pull-less cyl.	21.00



Lever-Escutcheon

P/N	Description	Finish
MHM9900-32D	36" Rim	32D
MHM9900-48-32D	48" Rim	436.00
MHM9900VR-32D	36" Vertical Rod	525.00
MHM9900VR-48-32D	48" Vertical Rod	551.00

Fire Exit Device Available, Call for Pricing

SERIES 5SS55 INSTITUTIONAL LIFE SAFETY MORTISE LOCKSETS

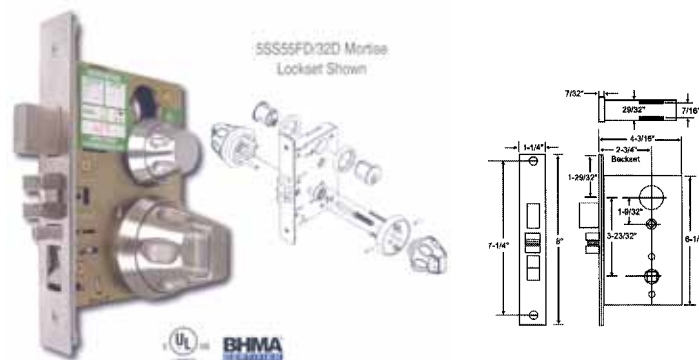
Performance Specifications

Life Test: 1,500,000 cycles minimum.
ANSI Test: Meets or exceeds all operational and security tests of ANSI specifications A 156.13-2005 for series 5000, Grade 1.
Fire Test: UL Listed, 3 hour fire rated.

Trim Specifications

Exterior & Interior Trim:
 Solid stainless steel interior & exterior tapered knobs recessed into thru-bolted roses. Specially designed finger indented safety knobs with recessed grip and ergonomically designed integral grooved turn knob for elderly and handicapped access. Needle bearings ensure smoothness of operation.

Cylinder: Solid brass cylinders with solid brushed chrome security collars. Optional HI-SECURITY™ cylinders available.
Strike: 4-7/8" curved lip stainless steel w/tamperproof screws.
Door Thickness: 1-3/4" standard. Extended range available.
Door Prep: ANSI A115.110ck face cutout,w/2-1/8"thru hole for knob/rose assembly.
Backset: 5 Series 2-3/4" standard, 55 Series 2-1/2" optional
Lock Front: Adjustable bevel steel backplate 1-1/4" x 8" x 7/64" thick. Cover plate 1/16" thick with tamper proof screws.
Latch: Solid stainless steel with antifriction latch lever, 3/4" throw (reversible).
Aux. Deadlatch: 1/2" throw, (reversible).
Case: Stamped steel 3/32" thick, zinc dichromate finish.
Hubs: Steel, 9/32" on diamond, 5/16" on square w/security separator.
Hub Lock Arm: (to lock hub) Steel 1/8" thick.
Spindles: Independent spring-loaded spindles.



P/N	Function	Finish	Deadbolt	Price
MH5SS55E-32D	Office	Satin Chrome	No	1066.00
MH5SS55EW-32D	Storeroom	Satin Stainless Steel	No	1066.00
MH5SS55GL-32D	Inst. Privacy	Satin Chrome	No	1066.00
MH5SS55J-32D	Classroom	Satin Stainless Steel	No	1066.00
MH5SS55LJ-32D	Privacy	Satin Chrome	No	1250.00
MH5SS55N-32D	Passage	Satin Stainless Steel	No	1027.00
MH5SS55WW-32D	Institution	Satin Chrome	No	1095.00

SS55 INSTITUTIONAL LIFE SAFETY MORTISE DEADLOCK

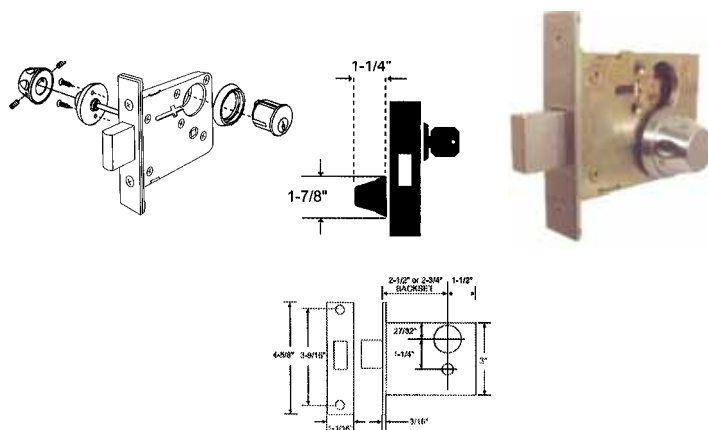
Performance Specifications

Life Test: 1,500,000 cycles minimum.
ANSI Test: Meets or exceeds all operational and security tests of ANSI/ BHMA Certified A156.5-2001 for series 31, Grade 1.
Fire Test: UL Listed, 3 hour fire rated.

Trim Specifications

Interior Trim:
 Solid stainless steel interior trim including finger indented safety knobs which recess into solid brass through-bolted roses.

Series 31 Deadlock Specifications ANSI E06071 Cylinder x Turnpiece
 Deadbolt by outside key. Interior safety knob will retract but not project deadbolt.
Backset: 2-3/4"
Strike: #4035 1-1/8" x 3-1/8" standard, #3135 4-7/8" x 1-1/4" optional
Bolt Throw: 1" Stainless steel with hardened roll pins
Case: Stamped steel
Front: 1-1/16" x 4-5/8" adjustable bevel
Cylinder: Solid brass cylinder, 6-pin,"C" keyway.
 Optional HI-SECURITY™ cylinders available.



P/N	Function	Finish	Price
MH31SS55K-32D	Cyl x Knob	Satin Chrome	447.00
MH31SS55S-32D	Classroom	Satin Chrome	476.00



A

Accredited Lock Supply

www.acclock.com

SERIES SS55 INSTITUTIONAL LIFE SAFETY CYLINDRICAL LOCKSETS AND DEADLATCH LOCKSETS

Trim Specifications

Exterior & Interior Trim:

Solid stainless steel interior & exterior tapered knobs recessed into thru-bolted roses. Specially designed finger indented safety knobs with recessed grip and ergonomically designed integral grooved turn knob for elderly and handicapped access. Needle bearings ensure smoothness of operation.

1SS55N Cylindrical Lockset: ANSI F75 Passage

Latch by knob either side, always open.

Strike: #1136, 2-3/4" "T" strike

Door Prep: ANSI 115.2

Latch: ANSI 156.2, Grade 1, 3 Hour fire rated

Backset: 2-3/4" Backset standard, 2-3/8" backset optional.
3-3/4" and 5" backsets also available.

Latch Face: 1-1/8" x 2-1/4" with tamper proof screws.

Latch Throw: 9/16"

1SS55K Cylindrical Deadlatch Lockset: ANSI E0121 Cylinder x Knob

Latch by knob inside, key outside.

Strike: #1136, 2-3/4" "T" strike; #1135 4-7/8" ASA strike optional

Door Prep: ANSI 115.2

Latch: ANSI 156.2, Grade 1, 3 Hour fire rated

Door Thickness: 1 -3/4"

Backset: 2-3/4" Backset. 3-3/4" and 5" backsets also available.

Latch Face: 1-1/8" x 2-1/4" with tamper proof screws.

Cylinder: Solid brass cylinder, 6-pin, "C" keyway

Optional HI-SECURITY™ cylinders available.



P/N	Function	Finish	Price
MH1SS55K-26D	Cyl x Knob	Satin Chrome	1073.00
MH1SS55N-26D	Passage	Satin Chrome	1042.00

HI-SECURITY™

Cylinder Configuration

Marks HI-SECURITY™ cylinders are manufactured of brass bar stock. Cylinders are available in a variety of models. In standard construction, there are 1-1/8", 1-1/4", 1-3/8", 1-1/2", and 1-3/4" mortise cylinders. There are a variety of 1" and 1-1/8" combination mortise/rim cylinders, key-in-knob, large format interchangeable specifically for Medeco®, Schlage® locks and Best® type small format interchangeable core models in 6 and 7 pin lengths. Standard and large format cylinders may be ordered with the UL 437 HI-SECURITY™ option for greater drill resistance, Non-UL with the same pick and bump protection and in Security-Mate® (a standard pin tumbler only cylinder without HI-SECURITY™ features, but matching the same key blank). SFIC is currently available in Non-UL model only at this time. There are a variety of keying options available. "Zero-bitted" cylinders are shipped standard with either a factory default security code or are supplied with a specific customer security code. The common pin tumbler section of the cylinder has springs, driver pins and accommodates a key blank cut to zero in all positions.

Call For Pricing and Ordering Information

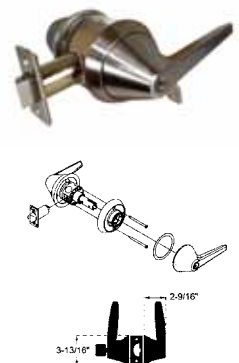
These Cylinders and Keys are Presently

In Stock!



SERIES SS19 INSTITUTIONAL LIFE SAFETY CYLINDRICAL LOCKSETS - LEVERS

- ANSI-A156.2 Grade 1, UL listed 3 Hr. Fire Rating
- Backset: 2 3/4" standard; 2 3/8", 3 3/4" 5" available
- Latch: #1834, stainless steel nose
- Levers: Solid cast stainless steel
- Roses: Thru-bolted, spring loaded, #10 thru-bolts
- Strike: #1135, 4 7/8" ASA curved lip strike
- Door Thickness: 1 5/8" - 1 7/8"
- Cylinder: MARKS "C" keyway, 6 pin w/2 keys
- Stainless steel retractor



P/N	Function	Finish	Price
MH1SS19A-32D	Entry	Satin Stainless Steel	851.00
MH1SS19F-32D	Storeroom	Satin Stainless Steel	851.00
MH1SS19L-32D	Privacy	Satin Stainless Steel	835.00
MH1SS19LK-32D	Hosp.Privacy	Satin Stainless Steel	861.00
MH1SS19S-32D	Classroom	Satin Stainless Steel	851.00
MH1SS19TK-32D	Hosp.Privacy	Satin Stainless Steel	830.00
MH1SS19N-32D	Passage	Satin Stainless Steel	814.00
MH1SS19DW-32D	Institution	Satin Stainless Steel	893.00
MH1SS19DC-32D	Communicating	Satin Stainless Steel	893.00
MH1SS19AB-32D	Entrance	Satin Stainless Steel	851.00

Accredited Lock Supply

www.acclock.com

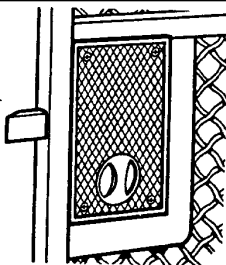
W3700/W3800 Series Locks Use MH2122 15/16"
Mortise Cylinder w/std. Wide Cam **41.00**

• GATE LOCKS

• Reversible Sliding • Reversible Swinging

REVERSIBLE SWINGING GATE LOCKS

Replaces Mul-T-Lock Gate Locks. Cast Aluminum. Case Size: 3 5/8" x 6 1/4" x 1". Groove: 1/2" wide x 3/16" deep, all sides for wire gate insertion. Uses 5-pin cylinder. Keeper not furnished. Packed 12 per case.



SINGLE CYLINDER MODEL

Code	Latch Projection	Channel Size	Description	Price
MHW3700	1 1/8"	1/2"	No Cylinder	139.00
MHW3700K	1 1/8"	1/2"	With cylinder	170.00

MHW3710	1 1/4"	5/8"	No cylinder	139.00
MHW3710K	1 1/4"	5/8"	With cylinder	170.00

MHW3720	1 3/8"	3/4"	No cylinder	139.00
MHW3720K	1 3/8"	3/4"	With cylinder	170.00

DOUBLE CYLINDER MODEL

Code	Latch Projection	Channel Size	Description	Price
MHW3750	1 1/8"	1/2"	No Cylinder	195.00
MHW3750M	1 1/8"	1/2"	With Cylinder	258.00

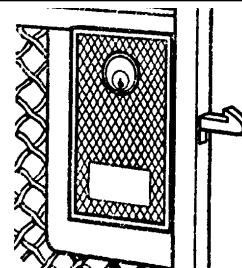
MHW3760	1 1/4"	5/8"	No Cylinder	195.00
MHW3760M	1 1/4"	5/8"	With Cylinder	258.00

MHW3770	1 3/8"	3/4"	No Cylinder	195.00
MHW3770M	1 3/8"	3/4"	With Cylinder	258.00

REVERSIBLE SLIDING GATE LOCKS

Replaces Mul-T-Locks. Cast Aluminum. Case Size: 3 5/8" x 6 1/4" x 1". Groove: 1/2" wide x 3/16" deep, all sides for wire gate insertion.

Uses 5-pin cylinder. Keeper not furnished. Packed 12 per case.



SINGLE CYLINDER MODEL

Code	Hook Gap	Channel Size	Description	Price
MHW3800	.825"	1/2"	No Cylinder	139.00
MHW3800K	.825"	1/2"	With Cylinder	170.00

MHW3810	.950"	5/8"	No Cylinder	139.00
MHW3810K	.950"	5/8"	With Cylinder	170.00

MHW3820	1.075"	3/4"	No Cylinder	139.00
MHW3820K	1.075"	3/4"	With Cylinder	170.00

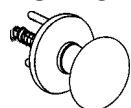
DOUBLE CYLINDER MODEL

Code	Hook Gap	Channel Size	Description	Price
MHW3850	.825"	1/2"	No Cylinder	195.00
MHW3850M	.825"	1/2"	With Cylinder	258.00

MHW3860	.950"	5/8"	No Cylinder	195.00
MHW3860M	.950"	5/8"	With Cylinder	258.00

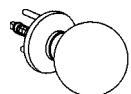
MHW3870	1.075"	3/4"	No Cylinder	195.00
MHW3870M	1.075"	3/4"	With Cylinder	258.00

MORTISE LOCK PARTS



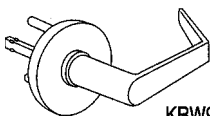
Apollo Knob w/Plain Rose

MHKRW10/3	Polished Brass	184.00
MHKRW10/32D	Satin Stainless Steel	184.00



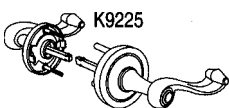
KRS20
Concord Knob w/Small Rose

MHKRS20/3	Polished Brass	184.00
MHKRS20/32D	Satin Stainless Steel	184.00



KRW92
American Lever/Rose Kit

MHKRW92/3E	Polished Brass	294.00
MHKRW92/32D	Satin Stainless Steel	313.00

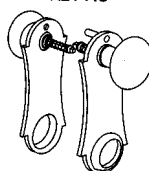


K9225
Lever Rose Kit

MHK9225/3	Polished Brass	180.00
MHK9225/5	Antique Brass	189.00
MHK9225/26D	Satin Chrome	189.00

ORNAMENTAL IRON KITS & ACCESSORIES

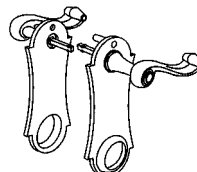
K21 AC



Knob Plate Assembly Kit

MHK21AC/3	Polished Brass	122.00
MHK21AC/5	Antique Brass	135.00

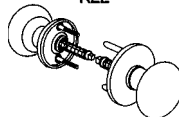
K9215 AC



Uni-Lock Lever Plate Kit

MHK9215AC/3	Polished Brass	184.00
MHK9215AC/5	Antique Brass	195.00

K22



Knob Rose Kit 1"-1 3/4" Door

MHK22/3	Polished Brass	71.00
MHK22/3-M	Polished Brass Mushroom	78.00