

Accredited Lock Supply

MEDECO PATRIOT & FREEDOM PROGRAM

Unique New Key Control Systems That Ensure Full Security Against Unauthorized Duplication

This special partnership among Medeco, Accredited Lock, Locksmiths and the End User facilitates the purchase, use and reorder of Medeco high security locks and parts without cumbersome record keeping or maintaining a large inventory. Provides a simple and effective key control system; automatic reordering with one national keyway.

Medeco provides

1. Perpetual key blank inventory audit.
2. Masterkey systems
3. Patriot or Freedom cards and their replacement
4. Automatic recorder of keys.
5. Electronic-network audit services for end users.



Accredited will

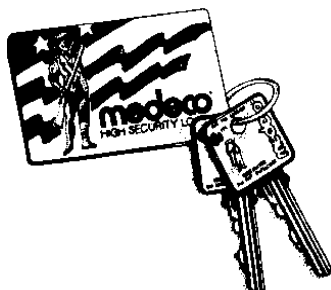
1. Place your initial order for the card reader and receipt
2. Drop ship custom coined keys to the locksmith.

Locksmiths must

1. Sign a contract with Medeco for the Patriot or Freedom program.
2. Inventory Patriot or Freedom products.
3. Purchase \$1,500.00 annually.
4. Process card orders.
5. Inventory custom coined key blanks.

Your customer

1. Will receive a magnetic striped card.
2. Is the only one allowed to obtain keys.
3. Will benefit from electronic key control.



MEDECO FINISHES

Conform to BHMA finish standards.

OLD#	NEW#	FINISH
US3	605	Bright Brass
US4	606	Satin Brass
US5	609	Antique Brass
US10	612	Satin Bronze
US10B	613	Oil Rubbed Bronze
US20A	624	Duranodic/Dark Amber
US26	625	Bright Chrome
US26D	626	Satin Chrome

medeco
HIGH SECURITY LOCKS

Key Receipt
TRACER#0000307433 DEALER CODE# 9999
DATE# 01-27-04 TIME# 07:03 PM

USER INFO
REGISTRY#
JOHN DOE

910 TOTAL KEYS CUT TO DATE
AUTO REORDER ENABLED
KEYCODE / KEYSET QUANTITY
T0TR440CFX / 3

I hereby certify that I am the owner, or authorized agent of the owner, of the lock cylinder this specified restricted key operates and I am authorized to place this order.

Customer's Signature
CUSTOMER COPY

METROLOCK™ PADLOCKS



52-9

The super-tough Metrolock™ padlock line starts with the best physical protection available in a solid steel padlock and builds from there with Medeco's legendary pick, drill, and pull resistant cylinders. What's more, Medeco's patented Biaxial® system means it's virtually impossible for a thief to copy the key.

LOCKING BOLT DESIGN - HOCKEY PUCK

P/N	Shackle Clearance	Price
ME52-9	Shackle-less design	145.69

*** PICK AND DRILL RESISTANT SOLID BRASS CYLINDER PLUG**

Medeco's double locking action makes MetroLock padlocks virtually pickproof. And hardened, stainless steel inserts provide utmost resistance to drilling & corrosion.

*** AVAILABLE WITH PATENTED BIAXIAL KEY CONTROL SYSTEM**

Medeco's optional patented Biaxial lock system stops thieves from copying keys.

*** UL LISTED HIGH-SECURITY CYLINDER**

Medeco's MetroLock padlocks are the only solid steel padlocks containing a 60 - 68 series UL Listed high-security cylinder.

*** HARDENED, SOLID STEEL, CHROME PLATED BODY**

Medeco's MetroLock solid steel padlock bodies provide maximum protection against sledge hammer and other physical attacks.

SYSTEM SERIES PADLOCKS



- Pick & Drill Resistant Cylinder
- Patented Key Control System
- Steel Body
- Boron Alloy Steel Shackle
- Drainage Channels Through Pad Lock Body
- Shrouded Model has a Solid Steel Shackle Guard

Available keyed alike, keyed different, master keyed or sub-assembled.

Can be keyed into most existing Medeco systems.

Code	Model	Width	Shackle Diam.	Vert. Clear.	Horiz. Clear.	Price
ME54-51500	Indoor/Outdoor	2 1/8"	5/16"	1 1/8"	7/8"	133.20
ME54-51F00	Indoor/Outdoor	2 1/8"	5/16"	2 3/8"	7/8"	136.40
ME54-52500	Shrouded	2 1/8"	5/16"	3/4"	7/8"	152.46
ME54-71500	Indoor/Outdoor	2 5/8"	7/16"	1 3/8"	7/8"	156.28
ME54-71F00	Indoor/Outdoor	2 5/8"	7/16"	1 7/8"	7/8"	159.47
ME54-72500	Shrouded	2 5/8"	7/16"	3/4"	7/8"	185.22

• **DEADBOLTS**
 • **High Security**

MAXUM DEADBOLT

Maximum Security • Maximum Strength.
 U.L. Listed • High Security

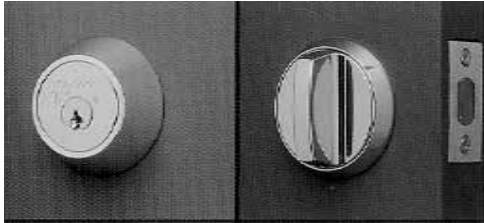
A truly superior deadbolt for ultimate security. Maxum's UL-listed Medeco cylinder is famous for its resistance to picking, drilling and other forms of intervention. Key control cannot be compromised with the patented Biaxial® key control plan. Fits 2 3/8" or 2 3/4" backsets with a 2 1/8" crossbore. High security features include:

- Includes both standard deadbolt and drivebolt.
- 2" deadbolt with 1" throw, made of saw-resistant steel.
- Reinforced, heavy-duty strike protects against kicking.
- Protective shields guard against lock attack and manipulation.

SINGLE DEADBOLT

With Cylinder Outside and Thumbturn Inside
 Standard protection on the outside with the convenience and safety of opening access at all times from the inside. Deadbolt thrown or retracted by key, from the outside, or by the turnpiece, inside.

Best suited for solid doors and home installations when used while people are home.
 Available KD or KA2.



ME11-C601-605	Bright Brass	225.90
ME11-C601-606	Satin Brass	225.90
ME11-C601-609	Antique Brass	225.90
ME11-C601-612	Satin Bronze	225.90
ME11-C601-613	Oil Rubbed Bronze	225.90
ME11-C601-624	Duranodic/Dark Amber	225.90
ME11-C601-625	Bright Chrome	225.90
ME11-C601-626	Satin Chrome	225.90

DOUBLE DEADBOLT

With Key on Both Sides

Standard protection on both the outside and inside of the door.
 Deadbolt thrown or retracted by key from either side.
 Best suited for doors with windows and for business installations where no one could be locked in.
 Available KD or KA2.



ME11-C621-605	Bright Brass	309.98
ME11-C621-606	Satin Brass	309.98
ME11-C621-609	Antique Brass	309.98
ME11-C621-612	Satin Bronze	309.98
ME11-C621-613	Oil Rubbed Bronze	309.98
ME11-C621-624	Duranodic/Dark Amber	309.98
ME11-C621-625	Bright Chrome	309.98
ME11-C621-626	Satin Chrome	309.98

- Steel shroud over bolt protects against "ice pick" type attacks.
- High security strike plate has a special box design with 2" screws that anchor the strike directly to the building structure behind the frame, preventing "kick-in" type attacks
- Hardened steel bolt and bolt throwing mechanism are surrounded by a heavy-gauge tubular steel housing for maximum resistance to crowbar attacks.
- Solid brass design is secured with high-tensile steel mounting bolts for maximum resistance against hammer and prying attacks.
- Utility patented key control, (for cylinders that incorporate the Medeco³ design), provides protection against the unauthorized duplication of keys.
- A special elevating and rotating pin tumbler design, along with false slots on the bottom pins, mushroom top pins and a sidebar mechanism, work together, to provide superior pick resistance.
- Angled cuts on the and aft position-design, provide that dramatically nations and enables some of the largest in the industry.
- Hardened steel in critical areas of



keys, along with fore ing, in the Medeco³ added dimensions increases key combi-Medeco® to produce master key systems inserts, positioned the cylinder, provide drill resistance.

MAXUM Residential Deadbolt

P/N	Backset	Price
Single Cylinder-5 pin '00' (other keyways avail)		
ME11-R503	2 3/8"	225.90
ME11-R504	2 3/4"	225.90
Double Cylinder-5 pin '00' (other keyways avail)		
ME11-R523	2 3/8"	309.98
ME11-R524	2 3/4"	309.98

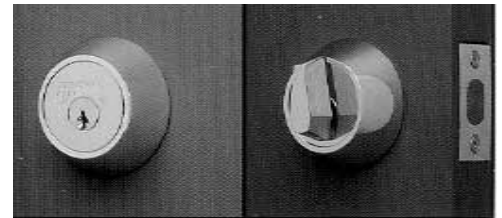
DOUBLE DEADBOLT

With Captive Thumbturn Key

Delivers all the advantages of single and double deadbolts with Medeco's exclusive thumbturn system.

Deadbolt thrown or retracted by key from either side. Captive thumbturn key converts the inside to a thumbturn for safety-sure exit when occupied. When vacant, a quick conversion returns the D-11 to its double cylinder mode and guards against access or exit.

Best suited for home installations where the need for both single and double deadbolt protection is desired.



ME11-C631-605	Bright Brass
ME11-C631-609	Antique Brass
ME11-C631-626	Satin Chrome

352⁰⁰

BOLT AND BOLT ASSEMBLY

ME11-0A1912	2 3/8" backset, 1 1/8" x 2 1/4" Face
ME11-0A1922	2 3/4" backset, 1 1/8" x 2 1/4" Face
ME11-0A1911	2 3/8" backset, 1" Face
ME11-0A1921	2 3/4" backset, 1" Face
ME11-0A1913	2 3/8" backset, Drive-in Bolt
ME11-0A1923	2 3/4" backset, Drive-in Bolt

66⁸⁰

- MORTISE CYLINDER
- RIM CYLINDER

MORTISE AND RIM CYLINDERS

High security cylinders made for both residential and commercial applications of door locksets. Incorporating the double locking principle and made of brass, with drill resistant inserts. Mortise cylinders are secured into the lockset and have cams. Rim cylinders have tailpieces and are mounted with two screws and a plate into the opposite side of the door. Both interface with locksets of the following manufacturers:



- Adams Rite
- Amerock
- Arrow
- Corbin
- Dexter
- Falcon
- Keil
- Lockwood
- Russwin
- Sargent
- Schlage
- Segal
- Weiser
- Yale

MORTISE CYLINDERS

High Security • U.L. Listed



FOR ALUMINUM DOOR TYPE LOCKS

Available KD or KA2

Code	Finish	Length	Pin	Price
ME10-0100-626	Satin Chrome	1"	5	131.04
ME10-0100-624	Dark Brown	1"	5	131.04



Code	Finish	Length	Pin	Price
ME10T0100-626	Satin Chrome	1"	5	131.04
ME10T0100-624	Dark Brown	1"	5	131.04

FOR USE WITH MORTISE LOCKS

Available KD or KA2

Code	Finish	Length	Pin	Price
ME10-0200-605	Bright Brass	1 1/8"	5	131.04
ME10-0200-626	Satin Chrome	1 1/8"	5	131.04
ME10-0500-605	Bright Brass	1 1/4"	6	131.04
ME10-0500-609	Antique Brass	1 1/4"	6	131.04
ME10-0500-626	Satin Chrome	1 1/4"	6	131.04



ME10T0200-605	Bright Brass	1 1/8"	5	131.04
ME10T0200-626	Satin Chrome	1 1/8"	5	131.04
ME10T0500-605	Bright Brass	1 1/4"	6	131.04
ME10T0500-609	Antique Brass	1 1/4"	6	131.04
ME10T0500-626	Satin Chrome	1 1/4"	6	131.04

FOR MORTISE LOCKS ON DOORS OVER 1 3/4" THICK

Code	Finish	Length	Pin	Price
ME10-5100-605	Bright Brass	1 3/8"	6	134.00
ME10-5200-605	Bright Brass	1 1/2"	6	179.50
ME10-5300-605	Bright Brass	1 5/8"	6	184.50
ME10-5400-605	Bright Brass	1 3/4"	6	203.35
ME10-5500-605	Bright Brass	2"	6	214.68
ME10-5600-605	Bright Brass	2 1/4"	6	226.42
ME10-5700-605	Bright Brass	2 1/2"	6	237.65



ME10T5100-605	Bright Brass	1 3/8"	6	134.00
ME10T5200-605	Bright Brass	1 1/2"	6	179.50
ME10T5300-605	Bright Brass	1 5/8"	6	184.50
ME10T5400-605	Bright Brass	1 3/4"	6	203.35
ME10T5500-605	Bright Brass	2"	6	214.68
ME10T5600-605	Bright Brass	2 1/4"	6	226.42
ME10T5700-605	Bright Brass	2 1/2"	6	237.65

RIM CYLINDERS

High Security • U.L. Listed



FOR USE WITH RIM MOUNTED TYPE LOCKS

Available KD or KA2

Code	Finish	Length	Pin	Price
ME10-0300-606	Bright Brass	1 1/16"	5	134.34
ME10-0300-626	Satin Chrome	1 1/16"	5	134.34
ME10-0400-605	Bright Brass	1 1/8"	6	143.40
ME10-0400-626	Satin Chrome	1 1/8"	6	143.40



ME10T0300-605	Bright Brass	1 1/16"	5	134.34
ME10T0300-626	Satin Chrome	1 1/16"	5	134.34
ME10T0400-605	Bright Brass	1 1/8"	6	143.40
ME10T0400-626	Satin Chrome	1 1/8"	6	143.40

FOR CONVERTING SEGAL 688 JIMMYPROOF DEADLOCK TO MEDECO TYPE KEYS

Available KD or KA2

Code	Finish	Length	Pin	Price
ME10-0805-10-0300	Satin Brass	1 1/16"	5	119.00



ME10T0805-10W0300	Satin Brass	1 1/16"	5	119.00
-------------------	-------------	---------	---	--------

DIFFERENT KEYWAYS!

Accredited Lock Supply stocks the most popular Medeco keyways:



- OO: Commercial
- N-3: Platinum
- PA: Patriot
- S-1: Bi-Axial Commercial
- 8E: Keymark Silver
- DHK: X4 Keymark "Chrome"
- FK: NYC Neighborhood (DBK)
- JL: Liberty
- DL: DND
- DM: NYC
- FM: Freedom
- DK: Gotham
- DH: DB3-D
- Y3: DBK
- G-3: Gold

KEYLUBE™

Medeco KeyLube™ lubricant contains sub-micron sized particles of PTFE powder in a solvent base. When applied, the solvent carrier cleans and carries the dry lubricant powder to the components to be lubricated, then evaporates very rapidly, leaving behind a protective shield lubricant that will not attract dust. The dry coating provides a low coefficient of friction which gives excellent lubrication and release properties. It has excellent thermal and chemical stability, forming a natural insulating barrier when used on electronics.

KeyLube™ is a self-cleaning lubricant that cleans while lubricating. KeyLube™ leaves behind a protective shield lubricant that will not attract dust. KeyLube™ is a multi-use dry lubricant that rapidly coats most surfaces with a tenacious chemically inert polymer film that resists most chemicals and solvents. Its effective operating temperature range is -40°F to +500°F and has a coefficient of friction of 0.02 to 0.04. KeyLube™ excels where cleanliness and contamination is a prime factor.



5.25 oz.

MEPX-KYLUB203
KeyLube 2.0™

16¹⁰

SECURITY SWITCH LOCKS

3/4" diameter U.L. Listed switch locks provide a wide range of electrical functions combined with security and key control of a Medeco cylinder. Ideally suited for applications, like burglar alarms, electronic information systems, encryption devices, cash control systems, electrically controlled doors and gates, requiring controlled access to electrically activated systems.

Available single switch and double switch, both featuring subminiature nap action switches for reliable versatility. Mechanical life is one million cycles, and full-load electrical life is 50,000 cycles minimum.



SINGLE POLE-DOUBLE THROW

Momentary Contact

ME65-2150T-021 136.00

SINGLE POLE-DOUBLE THROW

Key removable in A & B position.

ME65-2150T-012 136.00

SINGLE POLE-DOUBLE THROW

Thick head plug.

Key removable in A position only.

ME65-2150T-011 136.00

Features—

- Restricted, factory registered key systems
- Versatile masterkeying capability
- Terminals accept solder-type and quick-connect wiring
- Double "D" flats on both single and double switches.

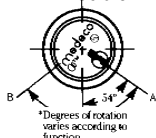


Fig. 1

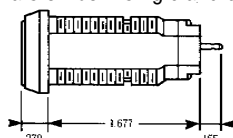


Fig. 2

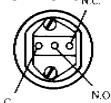


Fig. 3

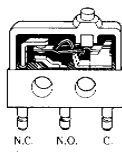


Fig. 7

Medeco³

Ask for the Medeco³ Locking System on Your New Locks and Cylinders



MEDECO M³ LOCKING SYSTEM

Medeco just made the ultimate even better. Not only is the Medeco³ lock the finest high security lock on the market; it sets a new standard of excellence for the entire industry to follow.

The most obvious improvement in Medeco³ is the addition of a 3rd locking element within the cylinder and on the key. With three distinct locking points, Medeco³ continues to resist picking while increasing to 13 billion the number of unique codes available for master keying.

And of course, you get a strong lock that resists physical attack, with strategically placed hardened steel inserts to resist drilling.

T21 KEY MANAGEMENT SYSTEM

Medeco® T21 is a sophisticated stand-alone key management system which combines innovative RFID technology and robust design to provide small to medium sized businesses with the advanced management of 21 keys or keysets in a plug and play solution.

Operation:

- Stand-alone Plug & Play solution with advanced RFID technology
- Touchscreen interface
- PIN access to designated keys or keysets which are individually locked in place
- Keys are securely attached using special security seals
- Simple to configure through the setup wizard
- No requirement for network connection or PC
- Concealed robust fixing points allow secure wall fixing
- Mains operated with optional battery backup
- 1,000 users per system
- System can save 250,000 audit events



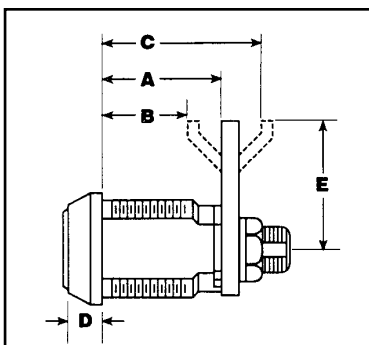
MEEA-100117	T21 Key Management System w/21 ifobs and security seals	2,703.00
MEEA100148	Security Seals	6.50
MEEA100149	iFob	32.40
MEEA100154	Battery	75.40

Accredited Lock Supply

- CAM LOCKS
- GATELOCK
- PADLOCK

All-N-One™ Cam Locks

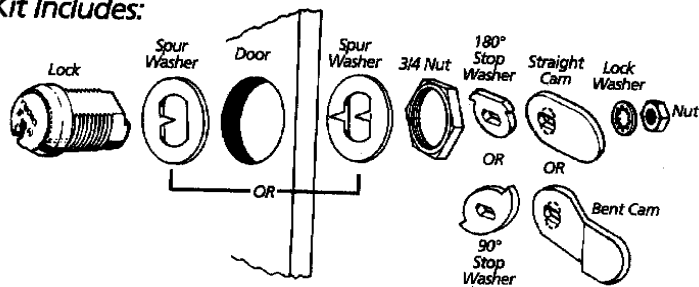
Everything needed for easy installation: UL Listed cabinet locking cylinder plug with two position keypull shell, 1 1/4" straight cam, 1 1/8" offset cam, (2) stop washers (90° & 180°), a spur washer for wood, all nuts and washers to finish the job, plus two keys. *Satin chrome finish.*



"A" "D" Price

ME60-1150-KIT-26	5/8"	1/2"	86.95
ME60-0350-KIT-26	7/8"	1/4"	86.95
ME60-0650-KIT-26	1 1/8"	1/4"	86.95
ME60-1450-KIT-26	1 1/2"	1/4"	90.66

Kit Includes:



KeyMark x4
by medeco

THE AFFORDABLE WAY TO IMPROVE YOUR SECURITY

KEY CONTROL WITHOUT THE HIGH PRICE

Replacement cylinders for the following brands:

Arrow, Best, Peaks, Schlage, Falcon, Sargent, Yale, Russwin, Corbin.



Rim Cylinder



Interchangeable Core Cylinder



Mortise Cylinder



Knob Cylinder

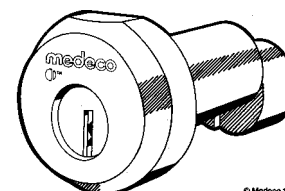


CALL FOR PRICING AND ORDERING INFORMATION

GATELOCK

Designed to provide high security for roll-up doors and store-front gates that have a 1 7/8" track. The hardened steel external parts give this lock extra security, while the chrome plating prevents corrosion

- 5-pin Medeco lock
- 1" shell body
- Hardened steel protector cap, shell, protector plate and locking cam



ME96-0136

253⁸⁰

We stock a large number of Medeco keyblanks. Call for pricing.



KEYBLANKS

Packed 100 per box.

Key	Price/Ea
Commercial "00" Keyway(Round Head)	7.70
Customed Coined Keys	7.40
All Other Key Blanks(Exc.Captive & Specials)	7.40

• KNOB CYLINDERS

KNOB TYPE CYLINDERS

Replacement high security cylinders for cylindrical and auxiliary tubular locksets, padlocks, and removable cores of other major manufacturers to upgrade the security level of their locks.

Incorporates Medeco's patented double locking principle, constructed of extruded brass and includes drill resistant insets. U.L. Listed.



	FOR SCHLAGE "A", "C", "D", OLYMPIAD LEVER HANDLE, 45-101 PADLOCK	ME20-200S1-605	Bright Brass	6-pin	ME20-200S1-626	Satin Chrome	6-pin	ME20T200S1-605	Bright Brass	6-pin	ME20T200S1-626	Satin Chrome	6-pin	medeco ³	124⁰⁹
	FOR SCHLAGE® & ARROW® KNOBS - exc. ARROW "H" & "S" SERIES	ME20-200H1-605	Bright Brass	6-pin	ME20-200H1-626	Satin Chrome	6-pin	ME20T200H1-605	Bright Brass	6-pin	ME20T200H1-626	Satin Chrome	6-pin	medeco ³	130²⁹
	FOR ARROW KNOB CYLINDERS "H" & "S" SERIES, SIERRA LEVER HANDLE, M SERIES	ME20-200A1-606	Satin Brass	6-pin	ME20-200A1-626	Satin Chrome	6-pin	ME20T200A1-606	Satin Brass	6-pin	ME20T200A1-626	Satin Chrome	6-pin	medeco ³	124⁰⁹
	FOR YALE 5300, 5400, 5500, 6100, 6200, SERIES	ME20-0500-605	Bright Brass	6-pin	ME20-0500-626	Satin Chrome	6-pin	ME20T0500-605	Bright Brass	6-pin	ME20T0500-626	Satin Chrome	6-pin	medeco ³	122⁴⁹
	FOR FALCON "LY" LEVER HANDLE "X" SERIES (Except T Handle), "S" SERIES	ME20-200F1-606	Satin Brass	6-pin	ME20-200F1-626	Satin Chrome	6-pin	ME20T200F1-606	Satin Brass	6-pin	ME20T200F1-626	Satin Chrome	6-pin	medeco ³	124⁰⁹
	FOR SCHLAGE "A" SERIES KNOB SET	ME20-0700-605	Bright Brass	5-pin	ME20-0700-626	Satin Chrome	5-pin	ME20T0700-605	Bright Brass	5-pin	ME20T0700-626	Satin Chrome	5-pin	medeco ³	122⁴⁹

• **KNOB CYLINDERS**



	FOR AMEROCK, ARROW SINGLE CYLINDER, OLD STYLE SCHLAGE TUBULAR DEADLOCK				124¹⁴
	ME20-0801-605	Bright Brass	5-pin		
	ME20-0801-626	Satin Chrome	5-pin		
	ME20T0801-605	Bright Brass	5-pin		
	ME20T0801-626	Satin Chrome	5-pin		
	FOR AMEROCK, ARROW DOUBLE CYLINDER TUBULAR DEADLOCK				120³³
	ME20-0802-605	Bright Brass	5-pin		
	ME20-0802-626	Satin Chrome	5-pin		
	ME20T0802-605	Bright Brass	5-pin		
	ME20T0802-626	Satin Chrome	5-pin		
	FOR SCHLAGE 6-PIN OLYMPIAD, SERIES				122⁴⁹
	ME20-20049-605	Bright Brass	6-pin		
	ME20-20049-626	Satin Chrome	6-pin		
	ME20T20049-605	Bright Brass	6-pin		
	ME20T20049-626	Satin Chrome	6-pin		
	FOR AMEROCK, ARROW DOUBLE CYLINDER DEADLOCK				124¹⁴
	ME20-0902-605	Bright Brass	6-pin		
	ME20-0902-606	Satin Brass	6-pin		
	ME20-0902-626	Satin Chrome	6-pin		
	ME20T0902-605	Bright Brass	6-pin		
	ME20T0902-606	Satin Brass	6-pin		
	ME20T0902-626	Satin Chrome	6-pin		
	FOR FALCON/WEISER CYLINDER DEADLOCK				124¹⁴
	ME20-0903-605	Bright Brass	6-pin		
	ME20-0903-626	Satin Chrome	6-pin		
	ME20T0903-605	Bright Brass	6-pin		
	ME20T0903-626	Satin Chrome	6-pin		
	FOR SCHLAGE LAZY MOTION B,E,F,H SERIES DEADBOLTS				126⁶⁹
	ME20-009S4-605	Bright Brass	6-pin		
	ME20-009S4-626	Satin Chrome	6-pin		
	ME20T009S4-605	Bright Brass	6-pin		
	ME20T009S4-626	Satin Chrome	6-pin		
	FOR SARGENT 6 LINE				126⁴⁹
	ME20-201A1-605	Bright Brass	5-pin		
	ME20-201A1-626	Satin Chrome	5-pin		
	ME20T201A1-605	Bright Brass	5-pin		
	ME20T201A1-626	Satin Chrome	5-pin		

• PIN KITS

FULL STEP PINS FOR 10-50 SERIES LOCKS

18 Pins (6 ea. R-L-C) 100 ea.
10 Drivers (3 Straight, 2 Mushroom) 100 ea.
Springs 500 ea.
4 Spring Covers 50 ea.
Set Screws 400 ea.

MEK-1002
1,055⁶⁰

**FULL STEP PINS FOR 10-50 SERIES LOCKS
SMALL ASSORTMENT**

18 Pins (6 ea. R-L-C) 30 ea.
10 Drivers (8 Straight, 2 Mushrooms) 30 ea.
Springs 200 ea.
4 Springs 15 ea.
Set Screws 200 ea.

MEK-1001
360⁹⁰

FULL STEP MASTER KEY DISC
Master Pins (5) 100 ea.

MEK-1003
77⁵⁰

ORIGINAL 10-50 SERIES MINI PIN KIT
10 each Bottom Pins, Master Wafers, & Drivers

MEK-1005
359³⁰

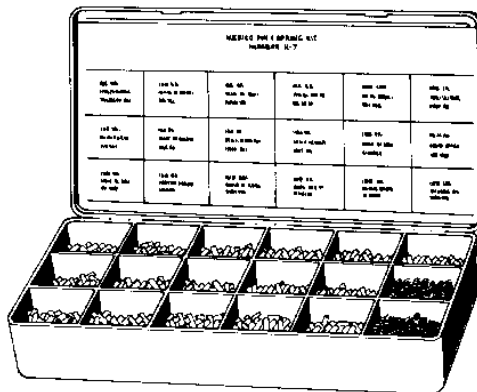
10 THRU 50 SERIES HALF STEP PINS
1st Generation, 64 pins-100 of each
Spring covers, Sidebars, Springs, Setscrews

MEK-1006
1,745¹⁰

KEYMARK - LARGE WOODEN KIT SFIC
Bottom, Master and Top Pins 100 ea.
Springs, Caps, Spring Covers, Set Screws, Pinning
Fixture, Capping Punch, Pin Ejector & Key Gauge.

MEK-4001
928²⁰

PIN KITS



KEYMARK MINI KIT FOR SFIC

Medeco KM and X4 mini Pin Kit for SFIC; Small Metal Pin Kit, 30 Each Bottom Pins, 60 Each Master/Top Pins. Spring, Caps, and Spring Covers included.

MEK-4002
226²⁰

KEYMARK FULL KIT FOR CONVENTIONAL CYLINDERS - NOT SFIC

Medeco X4 Pin Kit for Conventional Cylinders (.511 plug), not SFIC; 100 Each Bottom and Master/Top Pins. Springs, Spring Covers, Set Screws, and Key Gauge included.

MEK-4006
675⁰⁰

FULL STEP PINS FOR 60 SERIES LOCKS

12 Pins (4 ea. R-L-C) 100 ea.
Springs 500 ea.
1 Springs Cover 200 ea.

**FULL STEP PINS FOR MASTER KEYING
60 SERIES LOCK**

Pins (31 ea. of 21 combinations) 621
Springs 300 ea.
Springs Covers 60 ea.

MEK-6002
1022³⁰

BIAXIAL PIN KIT FOR 60 SERIES

Plastic box, Pins 100 ea of 22 pins

MEK-9001
1,096²⁰

BIAXIAL FOR 60 SERIES (Cam & Switch)
Small metal box - 10 each of bottom pins (Top pins not required)

MEK-9003
350⁵⁰

SMALL BIAXIAL PIN KIT
Metal box - Pins 30 ea
For 60 Series Cam & Switch Locks

MEK-5005
797²⁰

Medeco Biaxial 10 Through 50 Series (Door Hardware)
Large Metal Box, 100 Each of Bottom, Master, & Top Pins

MEK-5006
1,739⁹⁰

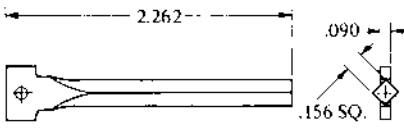
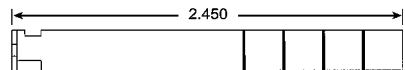
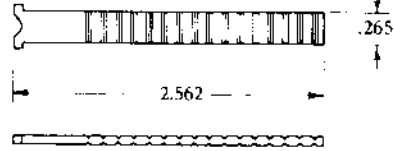

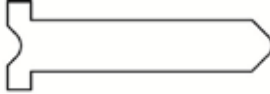

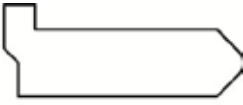
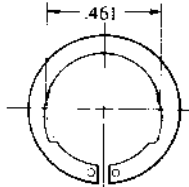
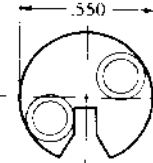
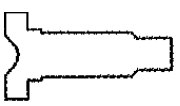
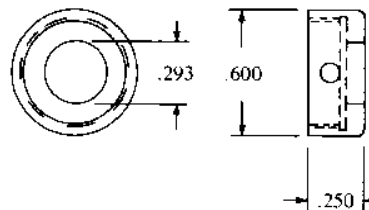
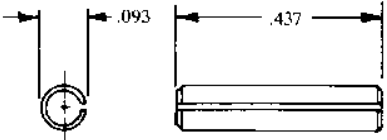
Medeco Biaxial 10 Through 50 Series (Door Hardware)
Small Metal Box, 10 Each of Bottom, Master & Top Pins

MEK-5007
598⁵⁰

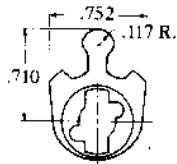
Medeco Biaxial Pin Kit for 32 Series LFIC Cylinders
4, 5, and 6 Pins Only with 50 each 53 Series Pins

MEK-5010
396²⁰

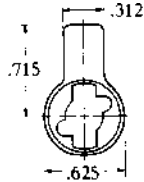
• TAILPIECES • PARTS

 <p>FOX TYPE (1980-83) MECT-Y05 2.63</p>	 <p>LAZY MOTION MECT-Y08 3.70</p>	 <p>RIM CYLINDER-STRAIGHT MECT-Y32 3.70</p>	
 <p>TAILPIECE for SARGENT 6 LINE MECT-Y37 3.70</p>	 <p>TAILPIECE for SCHLAGE 'A' SERIES (Orbit Design Only) MECT-Y53 3.70</p>	 <p>TAILPIECE FOR FALCON 'X' SERIES (Except 'H' & 'T') MECT-Y04 2.99</p>	
 <p>TAILPIECE FOR ARROW 'M' SERIES, LSDA 100 SERIES, SARGENT 6 LINE MECT-Y70 3.70</p>	 <p>RIM LOCK PLUG RETAINER MECP-020010 55¢</p>	 <p>WASHER, CAM MECP-021011 66¢</p>	<p>MISCELLANEOUS PARTS</p> <p>MECP-010203-050 19¢ #2-56 x 5/16" Flat Head Screw</p> <p>MECP-010103-040 55¢ #2-56 Cam Screw</p> <p>MECP-170730-5 51¢ 5 Pin Cover Kit</p> <p>MECP-170730-6 51¢ 6 Pin Cover Kit</p> <p>MECP-030001 9¢ Tumbler Spring for KIK, Rim, Mortise</p> <p>MECP-011013-020 23¢ Thumbturn Set Screw</p> <p>MECP-030017 9¢ Tumbler Spring for Cam/Switchlocks</p> <p>MECP-030018 9¢ Sidebar Spring - Stainless Steel</p> <p>MECP-170041 45¢ 4 Pin Spring Cover Cam/Switchlocks</p>
 <p>TAILPIECE for FALCON® 'S' SERIES KNOB MECT-Y54 3.70</p>	 <p>TAILPIECE RETAINER FOR RIM LOCKS MECP-021121 12.00</p>	 <p>ROLL PIN MECP-060203 36¢</p>	

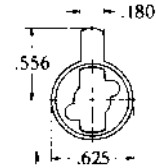
MORTISE AND RIM CYLINDERS CAMS, TAILPIECE AND PARTS



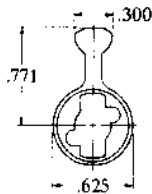
**RUSSWIN TYPE
MECT-Z00
3.70**



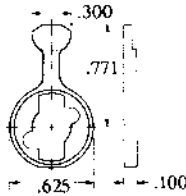
**STANDARD YALE TYPE
MECT-Z01
3.70**



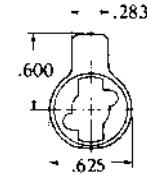
**ADAMS RITE
MECT-Z02
3.70**



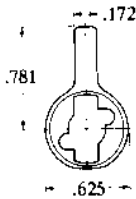
**KEIL TYPE
MECT-Z04
3.70**



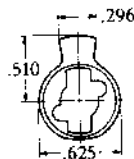
**SCHLAGE TYPE
MECT-Z05
3.70**



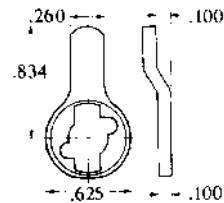
**MEDIUM YALE TYPE
MECT-Z06
3.70**



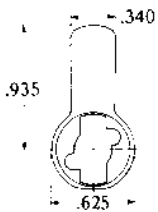
**SEGAL TYPE
MECT-Z07
3.70**



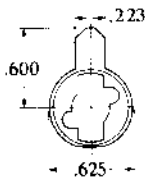
**RUSSWIN TYPE
MECT-Z09
3.70**



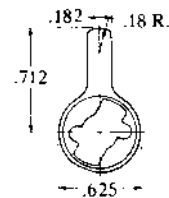
**SEGAL DEADBOLT TYPE
MECT-Z16
3.70**



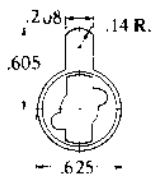
**CORBIN JUMBO
MECT-Z17
3.70**



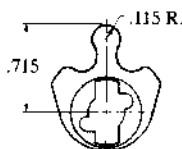
**GENERAL LOCK
MECT-Z19
3.70**



**SARGENT TYPE
MECT-Z20
3.70**



**RUKO TYPE
MECT-Z21
3.70**



**FALCON TYPE
MECT-Z22
3.70**



**YALE MORTISE
(after 1982)
MECT-Z47
3.70**