

# Logitech iTouch™ Keyboard Setup



Logitech® on the world wide web: [www.logitech.com](http://www.logitech.com)

©2001 Logitech. All rights reserved. Logitech, the Logitech logo, and other Logitech marks are owned by Logitech and may be registered. All other trademarks are the property of their respective owners. Logitech assumes no responsibility for any errors that may appear in this manual. Information contained herein is subject to change without notice.

Part number: 622860-0311

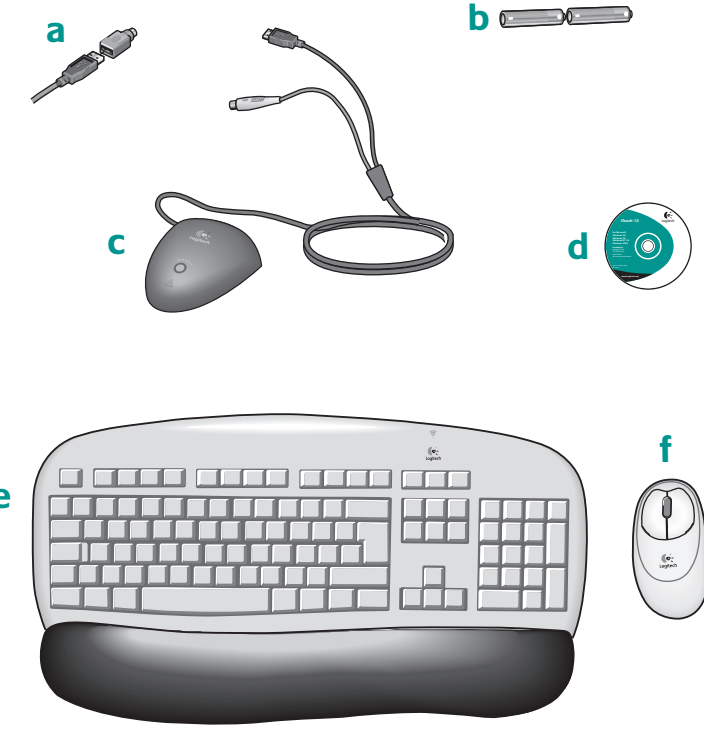
## 1

**English** Package Contents: a. PS/2 adapter b. Batteries c. Receiver d. Software e. Keyboard f. Mouse (for keyboard/mouse product combinations)

**繁體中文** 包裝內容：a. PS/2 轉接頭 b. 電池 c. 接收器 d. 軟體 e. 鍵盤 f. 滑鼠 (供鍵盤/滑鼠組合產品之用)

**简体中文** 包装内容：a. PS/2 适配器 b. 电池 c. 接收器 d. 软件 e. 键盘 f. 鼠标 (用于键盘/鼠标产品组合)

**한글** 패키지는 다음이 포함됩니다: a. PS/2 어댑터 b. 배터리 c. 수신기 d. 소프트웨어 e. 키보드 f. 마우스(키보드/마우스 제품 조합용)



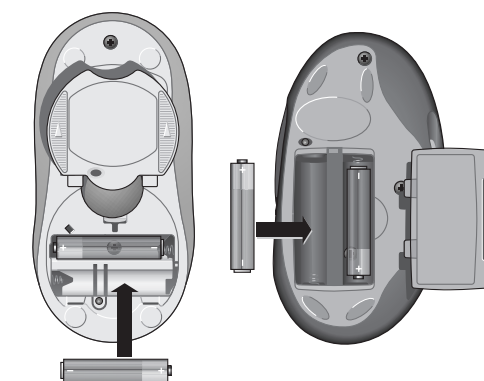
## 2

**English** Install the batteries.

**繁體中文** 請安裝電池。

**简体中文** 安装电池。

**한글** 배터리를 설치합니다.



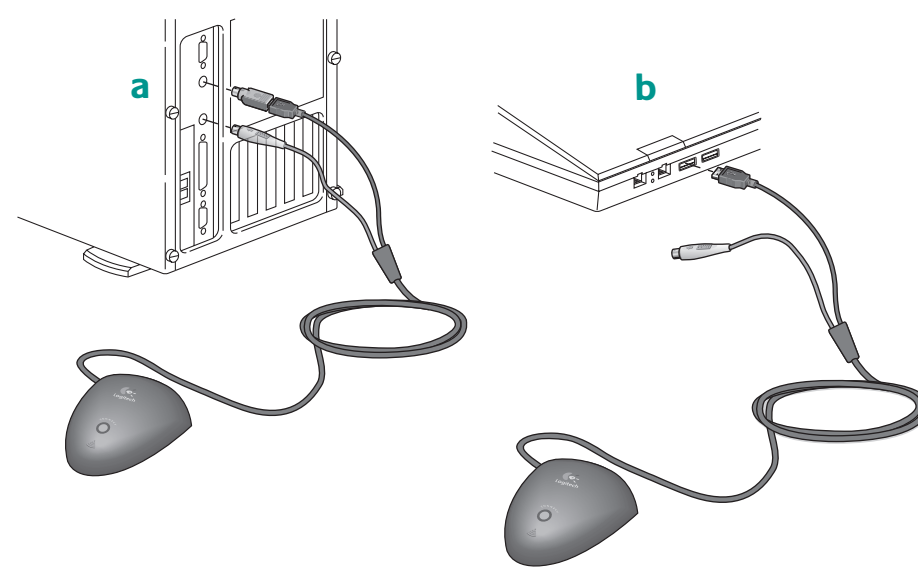
## 3

**English** (1) To install on PS/2 ports: Shut down the PC, disconnect any existing PS/2 keyboard or pointing devices. Plug the purple PS/2 connector into the keyboard PS/2 port and the green PS/2 adaptor with USB connector to the mouse PS/2 port. (2) To install on USB: Remove the PS/2 to USB adaptor (green convertor). Find an available USB port and plug in only the black USB connector. (3) It is recommended if your PC still has PS/2 ports. If your PC or laptop PC only has USB port, then you should use the USB connection.

**繁體中文** (1) 使用 PS/2 連接埠安裝：請先關閉電腦。將接收器上的 PS/2 (紫色) 接頭連接到電腦上的 PS/2 鍵盤連接埠；將 PS/2 (綠色轉接頭) 連同 USB 接頭連接到電腦上滑鼠的 PS/2 連接埠。(2) 使用 USB 連接埠安裝：將 PS/2 轉 USB 轉接頭 (綠色轉接頭) 拔除，將黑色 USB 接頭直接插入 USB 連接埠即可。(3) 若您的電腦仍有 PS/2 連接埠，建議您使用 PS/2 接頭安裝滑鼠及鍵盤；若您的桌上型電腦或筆記型電腦只有 USB 連接埠，則請使用 USB 接頭安裝。

**简体中文** (1) 在 PS/2 端口上安装：关闭计算机，断开任何现有 PS/2 键盘或指向设备的连接。将 PS/2 接头 (紫色) 插入 PS/2 键盘端口，将带有 USB 接头的 PS/2 转接器 (绿色) 插入 PS/2 鼠标端口。(2) 在 USB 上安装：取下 PS/2 至 USB 转接器 (绿色转接器)，找到可用的 USB 端口，只插入 USB 接头 (黑色)。(3) 如果您的计算机还有 PS/2 端口，则建议采用这种安装方式。如果您的桌面计算机或笔记本电脑只有 USB 端口，则应使用 USB 连接。

**한글** (1) PS/2 포트에 설치하려면: PC를 종료한 다음, 연결되어 있는 기존의 PS/2 키보드 또는 다른 포인팅 장치를 모두 떼어냅니다. 자주색 PS/2 커넥터를 키보드 PS/2 포트에 꽂고 USB 커넥터가 붙어 있는 초록색 PS/2 어댑터를 마우스용 PS/2 포트에 연결합니다. (2) USB 포트에 설치하려면: PS/2에서 USB로 전환하는 초록색의 변환 어댑터를 제거합니다. 그리고 사용 가능한 USB 포트를 찾아 검정색의 USB 커넥터를 꽂습니다. (3) PC에 PS/2 포트가 있다면 PS/2를 사용하는 것이 좋습니다. 데스크탑 또는 랩탑 컴퓨터에 USB 포트만 있는 경우는 USB 연결 방법을 사용해야 합니다.



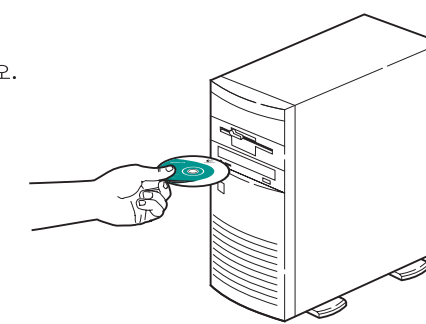
## 4

**English** Turn on your PC, then install the software.

**繁體中文** 打開您的 PC，然後安裝軟體。

**简体中文** 打开计算机，然后安装软件。

**한글** 컴퓨터를 켜고 소프트웨어를 설치하십시오.



**English** 1. Suspend. 2. Internet keys. 3. Multimedia keys. 4. iNav™.

**繁體中文** 1. 暫停鍵。2. 網際網路功能鍵。3. 多媒體功能鍵。4. iNav™ 功能鍵。

**简体中文** 1. 暂停。2. Internet 键。3. 多媒体键。4. iNav™。

**한글** 1. 일시 중지 2. 인터넷 키 3. 멀티미디어 키 4. iNav™.

**English** Warranty and FCC. Your product comes with a limited warranty, and is FCC compliant. For more information, refer to the online User's Guide located on your hard disk.

**繁體中文** 保固與 FCC。本產品附有有限保固，並符合 FCC 標準。如需其他資訊，請參閱安裝於硬碟中的線上使用手冊。

**简体中文** 质保和美国联邦通讯委员会 (FCC) 要求。您的产品提供有限保修，并且符合美国联邦通讯委员会的要求。有关更多信息，请参阅 iTouch™ 驱动程序中所附的《用户指南》。

**한글** 보증 및 FCC 정보. 본 제품은 한정적으로 보증되며 FCC 규정을 준수하여 제작되었습니다. 자세한 정보는 하드 디스크의 온라인 User's Guide를 참조하십시오.

**English** Important Ergonomic Information. Long periods of repetitive motions using an improperly set-up workspace, incorrect body position, and poor work habits may be associated with physical discomfort and injury to nerves, tendons, and muscles. If you feel pain, numbness, weakness, swelling, burning, cramping, or stiffness in your hands, wrists, arms, shoulders, neck, or back, see a qualified health professional. For more information, please read the Comfort Guidelines located on the iTouch™ software CD and on the Logitech™ web site at <http://www.logitech.com/comfort>.

**繁體中文** 重要人體工學資訊。長期在設計不良的工作環境中重複同樣的動作，不正確的姿勢及不良的工作習慣，可能會導致身體不適及神經、肌腱與肌肉的傷害。如果您的手掌、手臂、手腕、肩膀、鎖匙孔或背部感到痠痛、麻木、疲勞、灼熱、痲痺或僵硬，請至合格的專業醫士處就診。如需其他資訊，請參閱 iTouch™ 軟體 CD 中及 Logitech™ 網站 <http://www.logitech.com/comfort> 上的舒適指南。

**简体中文** 重要的人体工学信息。您的产品提供有限保修。长期重复使用设置不当的工作空间、错误的身体姿势和不良的工作习惯可能导致身体不适并会伤害神经、腱和肌肉。如果您的手、手臂、肩膀、腕部或背部感觉疼痛、麻木、疲劳、肿胀、发热、痲痺或僵硬，请向合格的专业医师咨询。有关更多信息，请参阅 iTouch™ 软件 CD 上的《舒适指南》，也可在位于 <http://www.logitech.com/comfort> 的 Logitech™ 网站上访问该文档。

**한글** 중요한 인체공학적 정보. 부적절한 공간에서 나쁜 자세와 잘못된 작업 습관으로 반복적인 동작을 오랜 시간 계속하면 육체적으로 무리가 가며 신경, 힘줄, 근육을 다칠 수도 있습니다. 손, 손목, 팔, 어깨, 목, 또는 등에서 통증, 마비, 쇠약, 부기, 발열, 경련 등의 증상이 나타나면 전문의를 찾으십시오. 자세한 정보는 iTouch™ 소프트웨어 CD에 있는 Comfort Guidelines를 읽어 보거나 Logitech™ 웹 사이트인 <http://www.logitech.com/comfort>를 방문하십시오.

#### FCC COMPLIANCE AND ADVISORY STATEMENT

This hardware device complies with Part 15 of the FCC Rules. Operation is subject to the following two conditions: 1) this device may not cause harmful interference, and 2) this device must accept any interference received, including interference that may cause undesired operation.

This equipment has been tested and found to comply with the limits for a Class B digital device, pursuant to Part 15 of the FCC Rules. These limits are designed to provide reasonable protection against harmful interference in a residential installation. This equipment generates, uses, and can radiate radio frequency energy and, if not installed or used in accordance with the instructions, may cause harmful interference to radio communications. However, there is no guarantee that interference will not occur in a particular installation. If this equipment does cause harmful interference to radio or television reception, which can be determined by turning the equipment off and on, the user is encouraged to try to correct the interference by one or more of the following measures: 1) reorient or relocate the receiving antenna; 2) increase the separation between the equipment and the receiver; 3) connect the equipment to an outlet on a circuit different from that to which the receiver is connected; 4) consult the dealer or an experienced radio/TV technician for help.

Any changes or modifications not expressly approved by the party responsible for compliance could void the user's authority to operate the equipment. Where shielded interface cables have been provided with the product or specified additional components or accessories elsewhere defined to be used with the installation of the product, they must be used in order to ensure compliance with FCC regulations.