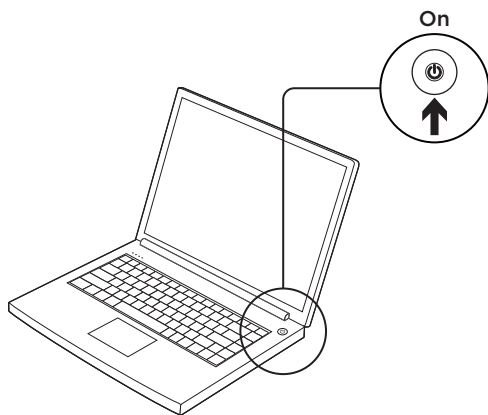
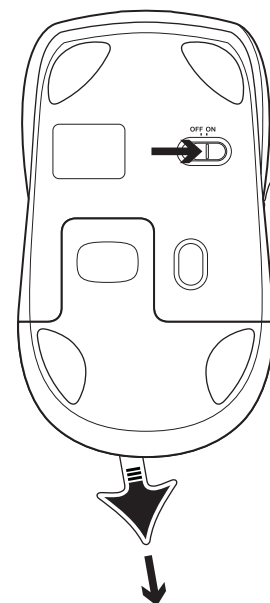


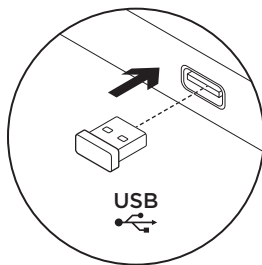
1



2



3



English

Advanced features:

Software is optional for this mouse! Download the free mouse software at www.logitech.com/downloads to customize button functions, adjust speed of tracking and scrolling.

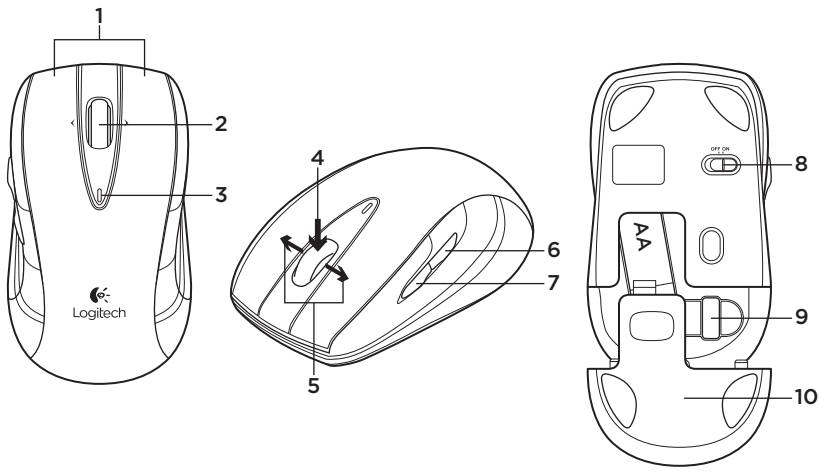
Note: If other USB 3.0 devices are in use, please try to plug Pico receiver into other USB port at a distance.

简体中文

Advanced features:

Software is optional for this mouse! Download the free mouse software at www.logitech.com/downloads to customize button functions, adjust speed of tracking and scrolling.

Note: If other USB 3.0 devices are in use, please try to plug Pico receiver into other USB port at a distance.



English

Features

1. **Left and right mouse buttons**
2. **Scroll wheel**
3. **Battery LED**—Flashes green when mouse is powered on, and it flashes red when the battery power is low
4. **Middle button**—The function of this button depends on your operating system and the application being used. For example, if you are browsing the Internet in Windows and click on a link using the Middle button, typically the link opens in a new tab.
5. **Tilt button**
 - Window 7 and Windows 8 without software: Tilt left/right for backward/forward.
 - Windows 8 with software installed: Tilt left to show the Application Switcher; Tilt right to show the Charm Bar.
6. **Side button**
 - Windows 7: Press to toggle between minimizing all applications (Show Desktop) and restoring all applications.
 - Windows 8: Press to switch to Desktop mode in Start Screen or applications.
7. **Side button**
 - Windows 8: Press to switch between the Start Screen and the last open application.
 - Windows 7: Press to open the Start Menu.
8. **On/Off slider switch**
9. **Pico receiver storage**—When the mouse is not in use, you can store the Pico receiver inside the mouse.
10. **Battery door**

简体中文

Features

1. **Left and right mouse buttons**
2. **Scroll wheel**
3. **Battery LED**—Flashes green when mouse is powered on, and it flashes red when the battery power is low
4. **Middle button**—The function of this button depends on your operating system and the application being used. For example, if you are browsing the Internet in Windows and click on a link using the Middle button, typically the link opens in a new tab.
5. **Tilt button**
 - Window 7 and Windows 8 without software: Tilt left/right for backward/forward.
 - Windows 8 with software installed: Tilt left to show the Application Switcher; Tilt right to show the Charm Bar.
6. **Side button**
 - Windows 7: Press to toggle between minimizing all applications (Show Desktop) and restoring all applications.
 - Windows 8: Press to switch to Desktop mode in Start Screen or applications.
7. **Side button**
 - Windows 8: Press to switch between the Start Screen and the last open application.
 - Windows 7: Press to open the Start Menu.
8. **On/Off slider switch**
9. **Pico receiver storage**—When the mouse is not in use, you can store the Pico receiver inside the mouse.
10. **Battery door**

English

The Logitech® Unifying receiver

Plug it. Forget it. Add to it.

Your new Logitech product ships with a Logitech® Unifying receiver. Did you know you can add a compatible Logitech wireless device that uses the same receiver as your current Logitech Unifying product?

Are you Unifying-ready?

If you have a Logitech wireless device that's Unifying-ready, you can pair it with additional Unifying devices. Just look for the orange Unifying logo on the new device or its packaging. Build your ideal combo. Add something. Replace something. It's easy, and you'll use only one USB port for up to six devices.

Getting started is easy

If you're ready to pair your device(s) via Unifying, here's what you need to do:

1. Make sure your Unifying receiver is plugged in.
2. If you haven't already, download the Logitech® Unifying software from www.logitech.com/unifying.
3. Start the Unifying software* and follow the onscreen instructions to pair the new wireless device with your existing Unifying receiver.

*Go to Start / All Programs / Logitech / Unifying / Logitech Unifying Software

简体中文

罗技 Unifying 接收器

随插即忘、一联百通。

全新的罗技产品将随附 Unifying 接收器。您知道吗，您可以将兼容的罗技无线设备添加到现有罗技 Unifying 产品正在使用的接收器上。

您已准备好开始使用 Unifying 了吗？

如果您有可以使用 Unifying 的罗技无线设备，您可以将该设备与其他 Unifying 设备配对使用。只需确认新设备或其包装上有橙色的 Unifying 徽标。打造您的理想组合。添加设备。替换设备。这很简单，而且您只需一个 USB 端口就可连接多达六个设备。

简单入门

如果您已准备好通过 Unifying 配对使用您的设备，您需要：

1. 确认已插入 Unifying 接收器。
2. 如果您还没有下载 Logitech® Unifying 软件，请访问 www.logitech.com/unifying 下载该软件。
3. 启动 Logitech Unifying 软件*并按照屏幕上的说明进行操作，将新的设备与现有的 Unifying 接收器配对。

*依次单击“开始”/“所有程序”/“罗技”/“Unifying”/“罗技 Unifying 软件”

Table of Toxic and Hazardous Substances/Elements and their Content

产品中有毒有害物质或元素的名称及含量
根据中国<<电子信息产品污染控制管理办法>>

Control Device 鼠标						
有毒有害物质或元素						
部件名称	铅 (Pb)	汞 (Hg)	镉 (Cd)	六价铬 (Cr(VI))	多溴联苯 (PBB)	多溴二苯醚 (PBDE)
电缆 Cable	X	○	○	○	○	○
电路板组件 PWAs	X	○	○	○	○	○
塑料外壳 Plastic enclosure	○	○	○	○	○	○
塑料部件 Plastic parts	○	○	○	○	○	○
金属部件 Metal parts	X	○	○	○	○	○

○ = 表示该有毒有害物质在该部件所有均质材料中的含量均在 SJ/T11363-2006 标准规定的限量要求以下。
X = 表示该有毒有害物质至少在该部件的某一均质的含量超出 SJ/T11363-2006 标准规定的限量要求。

表中标有“X”的所有部件都符合欧盟 RoHS 法规
“欧洲议会和欧盟理事会 2003 年 1 月 27 日关于电子电器设备中限制使用某些有害物质的 2002/95/EC 号指令”
注：环保使用期限的参考标取决于产品正常工作的温度和湿度等条件



English

Help with setup: Mouse not working

- Is the mouse powered on?
- Is the Pico receiver securely plugged into a computer USB port? Try changing USB ports.
- If the Pico receiver is plugged into a USB hub, try plugging it directly into a USB port on your computer.
- Try moving the Pico receiver to a USB port closer to the mouse.
- Remove metallic objects between the mouse and the Pico receiver.
- Check the orientation of the battery inside the mouse. Replace the battery if necessary. The mouse uses one AA alkaline battery.
- Try reconnecting the mouse and Pico receiver using the Logitech Unifying software. (Refer to the Unifying section in this guide.)
- If other USB 3.0 devices are in use, try plugging Pico receiver into other USB port at a distance.

简体中文

Help with setup: Mouse not working

- Is the mouse powered on?
- Is the Pico receiver securely plugged into a computer USB port? Try changing USB ports.
- If the Pico receiver is plugged into a USB hub, try plugging it directly into a USB port on your computer.
- Try moving the Pico receiver to a USB port closer to the mouse.
- Remove metallic objects between the mouse and the Pico receiver.
- Check the orientation of the battery inside the mouse. Replace the battery if necessary. The mouse uses one AA alkaline battery.
- Try reconnecting the mouse and Pico receiver using the Logitech Unifying software. (Refer to the Unifying section in this guide.)
- If other USB 3.0 devices are in use, try plugging Pico receiver into other USB port at a distance.

www.logitech.com/support/m545

Table of Toxic and Hazardous Substances/Elements and their Content

产品中有毒有害物质或元素的名称及含量
根据中国<<电子信息产品污染控制管理办法>>

Wireless Receiver 接收器						
有毒有害物质或元素						
部件名称	铅 (Pb)	汞 (Hg)	镉 (Cd)	六价铬 (Cr(VI))	多溴联苯 (PBB)	多溴二苯醚 (PBDE)
电缆 Cable	X	○	○	○	○	○
电路板组件 PWAs	X	○	○	○	○	○
塑料外壳 Plastic enclosure	○	○	○	○	○	○
塑料部件 Plastic parts	○	○	○	○	○	○
金属部件 Metal parts	X	○	○	○	○	○

○ = 表示该有毒有害物质在该部件所有均质材料中的含量均在 SJ/T11363-2006 标准规定的限量要求以下。
X = 表示该有毒有害物质至少在该部件的某一均质的含量超出 SJ/T11363-2006 标准规定的限量要求。

表中标有“X”的所有部件都符合欧盟 RoHS 法规
“欧洲议会和欧盟理事会 2003 年 1 月 27 日关于电子电器设备中限制使用某些有害物质的 2002/95/EC 号指令”
注：环保使用期限的参考标取决于产品正常工作的温度和湿度等条件

