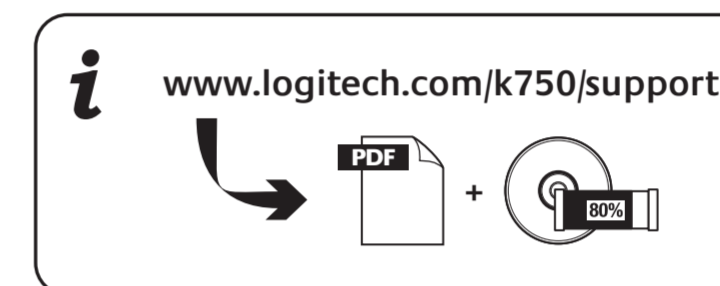
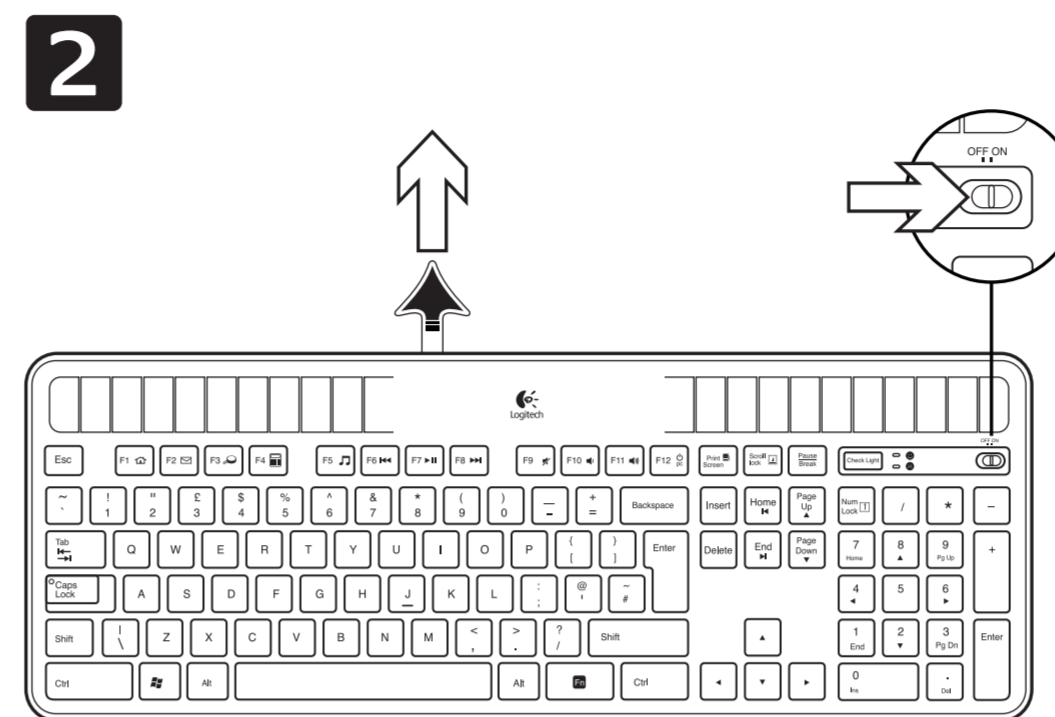
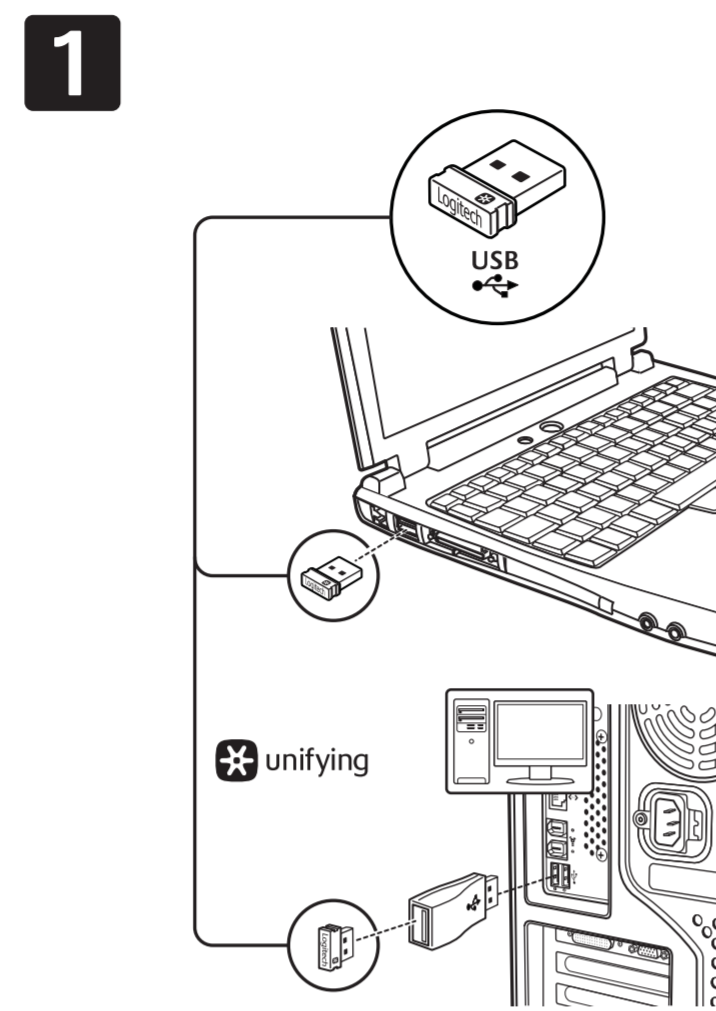


Y-R0016 2.4GHz Cordless keyboard Logitech



Federal Communication Commission Interference Statement
 This equipment has been tested and found to comply with the limits for a Class B digital device, pursuant to Part 15 of the FCC Rules. These limits are designed to provide reasonable protection against harmful interference in a residential installation. This equipment generates, uses and can radiate radio frequency energy and, if not installed and used in accordance with the instructions, may cause harmful interference to radio communications. However, there is no guarantee that interference will not occur in a particular installation. If this equipment does cause harmful interference to radio or television reception, which can be determined by turning the equipment off and on, the user is encouraged to try to correct the interference by one of the following measures:
 - Reorient or relocate the receiving antenna.
 - Increase the separation between the equipment and receiver.
 - Connect the equipment into an outlet on a circuit different from that to which the receiver is connected.
 - Consult the dealer or an experienced radio/TV technician for help.
FCC Caution: Any changes or modifications not expressly approved by the party responsible for compliance could void the user's authority to operate this equipment.
 This device complies with Part 15 of the FCC Rules. Operation is subject to the following two conditions: (1) This device may not cause harmful interference, and (2) this device must accept any interference received, including interference that may cause undesired operation.

Industry Canada Statement
 This device complies with RSS-210 of the Industry Canada Rules. Operation is subject to the following two conditions:
 1) this device may not cause interference and
 2) this device must accept any interference, including interference that may cause undesired operation of the device.

台灣使用注意事項:
 經型式認證合格之低功率射頻電機，非經許可，公司、商號或使用者均不得擅自變更頻率、加大功率或變更原設計之特性及功能。
 低功率射頻電機之使用不得影響飛航安全及干擾合法通信；經發現有干擾現象時，應立即停用，並改善至無干擾時方得繼續使用。前項合法通信，指依電信法規定作業之無線電通信，低功率射頻電機須忍受合法通信或工業、科學及醫療用電波輻射性電機設備之干擾。

www.logitech.com/support

België/Belgique	Dutch: +32-(0)2 200 64 44; French: +32-(0)2 200 64 40	Россия	+7(495) 641 34 60
Česká Republika	+420 239 000 335	Schweiz/Suisse Svizzera	D +41-(0)22 761 40 12 F +41-(0)22 761 40 16 I +41-(0)22 761 40 20 E +41-(0)22 761 40 25
Danmark	+45-38 32 31 20	South Africa	0800 981 089
Deutschland	+49-(0)69-51 709 427	Suomi	+358-(0)9 725 191 08
España	+34-91-275 45 88	Sverige	+46-(0)8-501 632 83
France	+33-(0)1-57 32 32 71	Türkiye	00800 44 882 5862
Ireland	+353-(0)1 524 50 80	United Arab Emirates	8000 441-4294
Italia	+39-02-91 48 30 31	United Kingdom	+44-(0)203-024-81 59
Magyarország	+36-177-74-853	European, Mid. East., & African Hq. Romanel s/Switzerland	English: +41-(0)22 761 40 25 Fax: +41-(0)21 863 54 02
Nederland	+31-(0)-20-200 84 33	Eastern Europe	English: 41-(0)22 761 40 25
Norge	+47-(0)24 159 579	Chile	+1230 020 5484
Österreich	+43-(0)1 206 091 026	Latin America	+001 800 578 9619
Polska	00800 441 17 19	Mexico	+001 800 578 9619
Portugal	+351-21-415 90 16	United States	+1 646-454-3200
Argentina	+0800 555 3284	Canada	+1-866-934-5644
Brasil	+0800 891 4173		

