

English  
Deutsch  
Français  
Italiano  
Español  
Português  
Nederlands  
Svenska  
Dansk  
Norsk  
Suomi  
Ελληνικά  
По-руски  
Magyar  
Česká verze  
Po polsku  
Slovensko  
Eesti keeles  
Latviski  
Lietuviškai  
Slovenian  
Croatian  
Serbian  
Romanian  
Turkish



2.4GHz Cordless Desktop Manual

# Installation

1



**English** Turn **ON** computer.

**Deutsch** Schalten Sie den **Computer EIN**.

**Français** Mettez l'ordinateur **sous tension**.

**Italiano** **Accendere** il computer.

**Español** **Encienda** el ordenador.

**Português** **Ligue** o computador.

**Nederlands** Zet de computer **AAN**.

**Svenska** **starta** datorn.

**Dansk** **Tænd** for computeren.

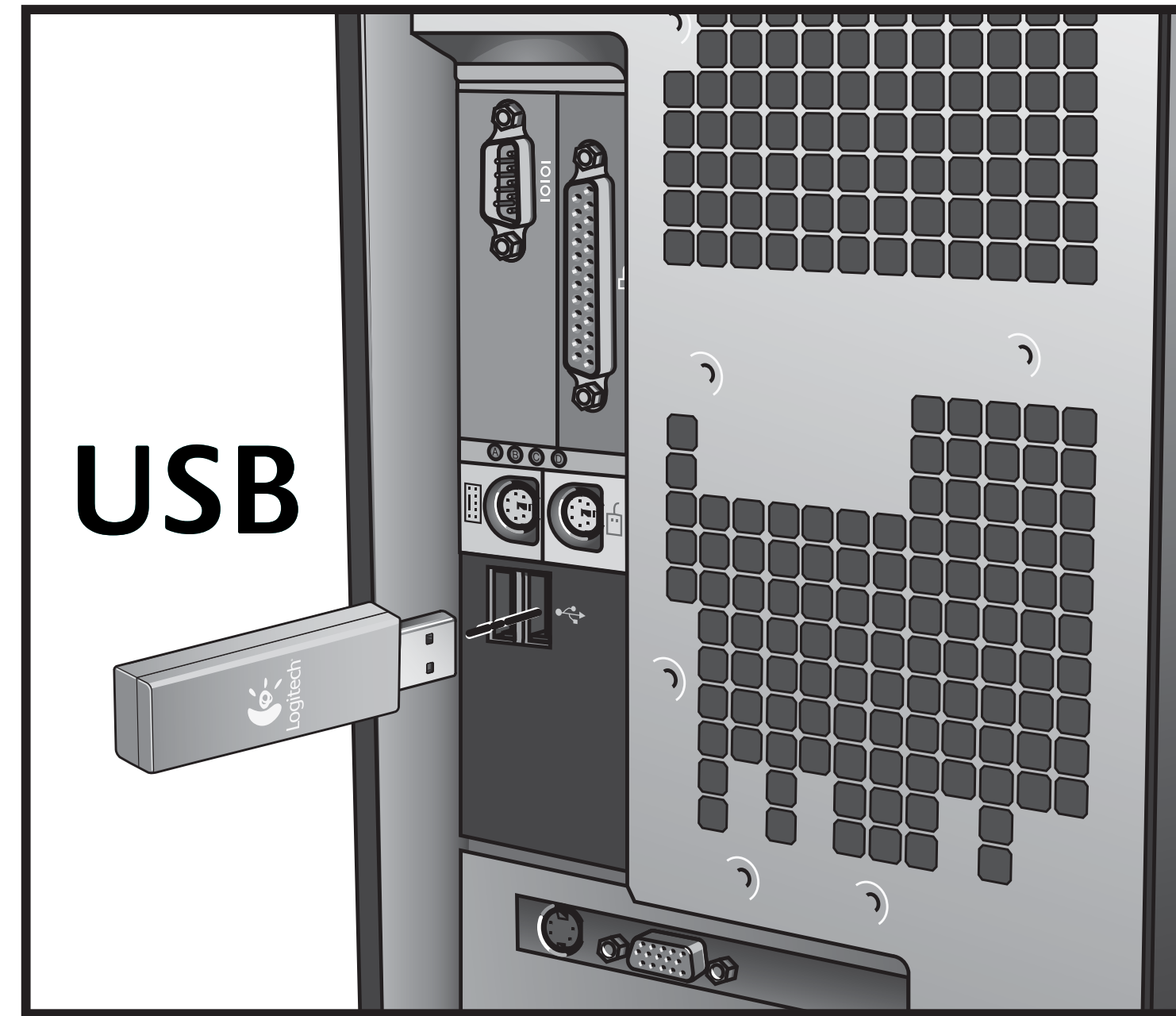
**Norsk** **slå** på datamaskinen.

**Suomi** **käynnistä** tietokone.

**Ελληνικά** **Ενεργοποιήστε** τον υπολογιστή.

**По-русски** **Включите** компьютер.

2



**English** Plug the USB mini-receiver into the computer's USB port.

**Deutsch** Plug the USB mini-receiver into the computer's USB port.

**Français** Plug the USB mini-receiver into the computer's USB port.

**Italiano** Plug the USB mini-receiver into the computer's USB port.

**Español** Plug the USB mini-receiver into the computer's USB port.

**Português** Plug the USB mini-receiver into the computer's USB port.

**Nederlands** Plug the USB mini-receiver into the computer's USB port.

**Svenska** Plug the USB mini-receiver into the computer's USB port.

**Dansk** Plug the USB mini-receiver into the computer's USB port.

**Norsk** Plug the USB mini-receiver into the computer's USB port.

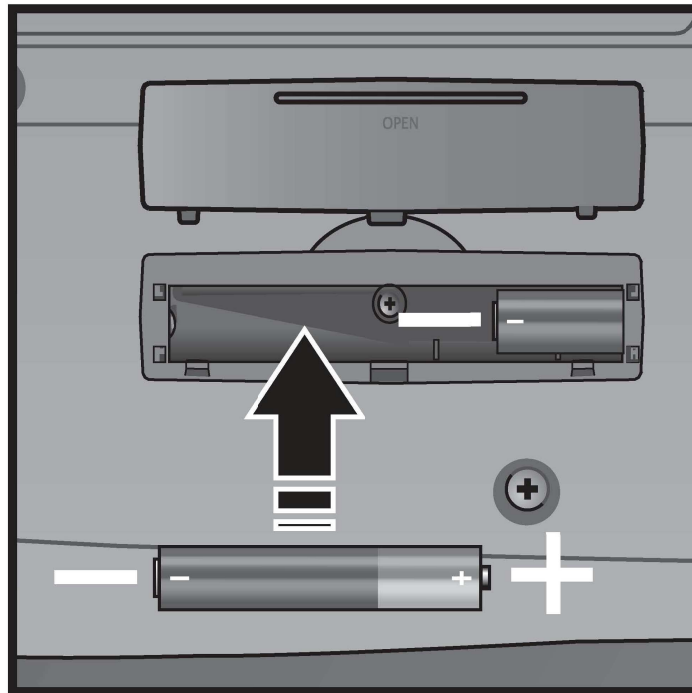
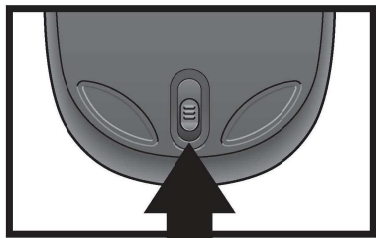
**Suomi** Plug the USB mini-receiver into the computer's USB port.

**Ελληνικά** Plug the USB mini-receiver into the computer's USB port.

**Πο-русски** Plug the USB mini-receiver into the computer's USB port.

3

+



**English** **Install the batteries:** 1. Press button on the bottom of the mouse to release battery door. 2. Install two AA alkaline batteries in the mouse. 3. Install two AAA alkaline batteries in the keyboard.

**Deutsch** **Install the batteries:** 1. Press button on the bottom of the mouse to release battery door. 2. Install two AA alkaline batteries in the mouse. 3. Install two AAA alkaline batteries in the keyboard.

**Français** **Install the batteries:** 1. Press button on the bottom of the mouse to release battery door. 2. Install two AA alkaline batteries in the mouse. 3. Install two AAA alkaline batteries in the keyboard.

**Italiano** **Install the batteries:** 1. Press button on the bottom of the mouse to release battery door. 2. Install two AA alkaline batteries in the mouse. 3. Install two AAA alkaline batteries in the keyboard.

**Español** **Install the batteries:** 1. Press button on the bottom of the mouse to release battery door. 2. Install two AA alkaline batteries in the mouse. 3. Install two AAA alkaline batteries in the keyboard.

**Português** 1. Introduza as duas pilhas alcalinas AA no rato. 2. Introduza as duas pilhas alcalinas AAA no teclado.

**Nederlands** **Install the batteries:** 1. Press button on the bottom of the mouse to release battery door. 2. Install two AA alkaline batteries in the mouse. 3. Install two AAA alkaline batteries in the keyboard.

**Svenska** **Install the batteries:** 1. Press button on the bottom of the mouse to release battery door. 2. Install two AA alkaline batteries in the mouse. 3. Install two AAA alkaline batteries in the keyboard.

**Dansk** **Install the batteries:** 1. Press button on the bottom of the mouse to release battery door. 2. Install two AA alkaline batteries in the mouse. 3. Install two AAA alkaline batteries in the keyboard.

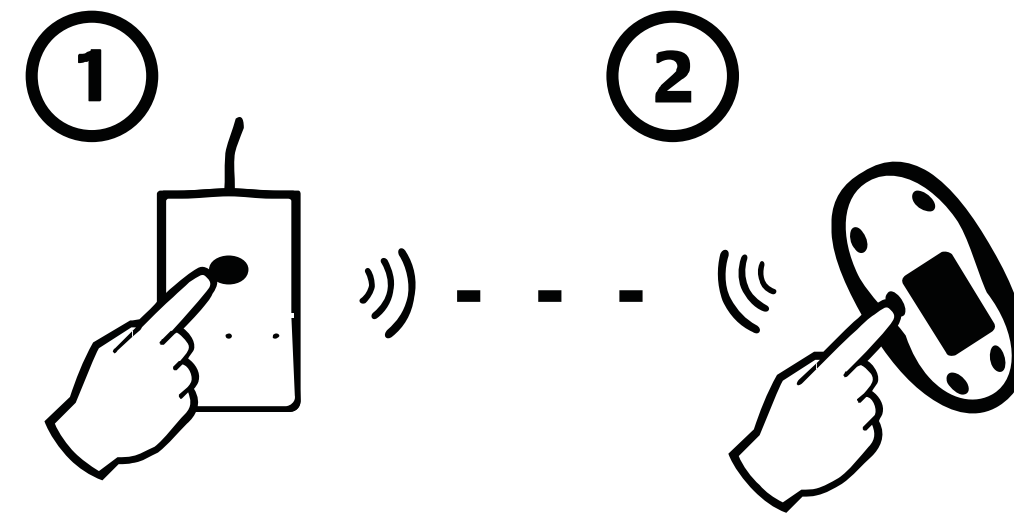
**Norsk** **Install the batteries:** 1. Press button on the bottom of the mouse to release battery door. 2. Install two AA alkaline batteries in the mouse. 3. Install two AAA alkaline batteries in the keyboard.

**Suomi** **Install the batteries:** 1. Press button on the bottom of the mouse to release battery door. 2. Install two AA alkaline batteries in the mouse. 3. Install two AAA alkaline batteries in the keyboard.

**Ελληνικά** **Install the batteries:** 1. Press button on the bottom of the mouse to release battery door. 2. Install two AA alkaline batteries in the mouse. 3. Install two AAA alkaline batteries in the keyboard.

**По-русски** **Install the batteries:** 1. Press button on the bottom of the mouse to release battery door. 2. Install two AA alkaline batteries in the mouse. 3. Install two AAA alkaline batteries in the keyboard.

## CONNECT MOUSE



**English** Press Connect button on receiver, and then press Connect button under mouse. Press Connect button on receiver, and then press green Connect button under keyboard.

**Deutsch** Drücken Sie erst die Connect-Taste am Empfänger und dann diejenige auf der Unterseite der Maus. Drücken Sie die Verbindungstaste am Empfänger und dann die grüne Verbindungstaste an der Unterseite der Tastatur.

**Français** Appuyez sur le bouton Connect du récepteur, puis sur le bouton Connect situé sous la souris. Appuyez sur le bouton Connect du récepteur, puis sur le bouton Connect vert situé sous le clavier.

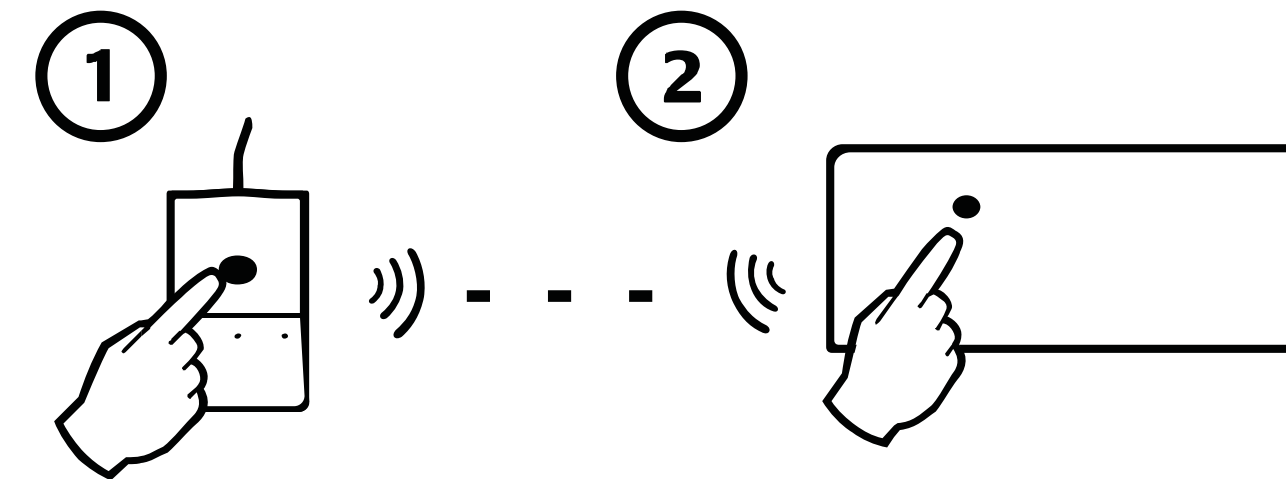
**Italiano** Premere il pulsante Connect sul ricevitore, quindi premere il pulsante Connect sul retro del mouse. Premere il pulsante di connessione sul ricevitore, quindi il pulsante verde di connessione sul retro della tastiera.

**Español** Pulse el botón Connect del receptor y luego el botón Connect situado en la parte inferior del ratón. Pulse el botón Connect del receptor y luego el botón Connect verde situado en la parte inferior del teclado.

**Português** Prima o botão Connect no receptor e, em seguida, prima o botão Connect na parte inferior do rato. Prima o botão Connect no receptor e, em seguida, prima o botão verde Connect em baixo do teclado.

**Nederlands** Druk eerst op de knop Connect van de ontvanger en dan op de knop Connect aan de onderkant van de muis. Druk eerst op de knop Connect van de ontvanger en dan op de groene knop Connect aan de onderkant van het toetsenbord.

## CONNECT KEYBOARD



**Svenska** Tryck på anslutningsknappen (Connect) på mottagaren och därefter på motsvarande knapp på musens undersida. Tryck på anslutningsknappen på mottagaren och därefter på den gröna anslutningsknappen på tangentbordets undersida.

**Dansk** Tryk på tilslutningsknappen på modtageren og derefter på tilslutningsknappen på undersiden af musen. Tryk så på tilslutningsknappen på modtageren igen og derefter på tilslutningsknappen på undersiden af tastaturet.

**Norsk** Trykk på tilkoplingsknappen (Connect) på mottakeren og trykk deretter på tilkoplingsknappen på undersiden av musen. Trykk på tilkoplingsknappen på mottakeren og trykk deretter på den grønne tilkoplingsknappen på undersiden av tastaturet.

**Suomi** Paina Connect-painiketta vastaanottimessa ja paina sitten Connect-painiketta hiiren pohjassa. Paina Connect-painiketta vastaanottimessa ja paina sitten vihreää Connect-painiketta näppäimistön pohjassa.

**Ελληνικά** Πατήστε το κουμπί Connect του δέκτη και στη συνέχεια το κουμπί Connect στο κάτω μέρος του ποντικιού. Πατήστε το κουμπί Connect του δέκτη και στη συνέχεια το πράσινο κουμπί Connect στην κάτω επιφάνεια του πληκτρολογίου.

**По-русски** Нажмите кнопку связи на приемнике, а затем кнопку связи на нижней стороне мыши. Нажмите кнопку связи на приемнике, а затем зеленую кнопку связи на нижней стороне клавиатуры.

6



**English** Install the software.

**Deutsch** Installieren Sie die Software.

**Français** Installez le logiciel.

**Italiano** Installare il software.

**Español** Instale el software.

**Português** Instale o software.

**Nederlands** Installeer de software.

**Svenska** Installera programvaran.

**Dansk** Installer softwaren.

**Norsk** Installer programvaren.

**Suomi** Asenna ohjelmisto.

**Ελληνικά** Εγκαταστήστε ο λογισμικό.

**По-русски** Установите программное обеспечение.

## Français

1. E-mail 2. Forward/Back 3. Document 4. Media 5. Play/Pause 6. Volume Up 7. Volume Down 8. Mute 9. On/Off 10. Battery LED (Glowes green briefly when batteries are good and the device is turned on, paired with USB Mini-receiver, or awakened from Stand-by mode. Flashes red in these situations when batteries are low.) 11. Search 12. Bookmark 13. Refresh 14. Stand-by 15. Calculator 16. Left and Right Mouse Buttons 17. Tilt wheel plus zoom (Enables up-and-down and side-to-side scrolling. Click and roll the wheel to zoom in and out. Install the software to activate side-to-side scrolling and zoom.)

## Italiano

1. E-mail 2. Forward/Back 3. Document 4. Media 5. Play/Pause 6. Volume Up 7. Volume Down 8. Mute 9. On/Off 10. Battery LED (Glowes green briefly when batteries are good and the device is turned on, paired with USB Mini-receiver, or awakened from Stand-by mode. Flashes red in these situations when batteries are low.) 11. Search 12. Bookmark 13. Refresh 14. Stand-by 15. Calculator 16. Left and Right Mouse Buttons 17. Tilt wheel plus zoom (Enables up-and-down and side-to-side scrolling. Click and roll the wheel to zoom in and out. Install the software to activate side-to-side scrolling and zoom.)

## Español

1. E-mail 2. Forward/Back 3. Document 4. Media 5. Play/Pause 6. Volume Up 7. Volume Down 8. Mute 9. On/Off 10. Battery LED (Glowes green briefly when batteries are good and the device is turned on, paired with USB Mini-receiver, or awakened from Stand-by mode. Flashes red in these situations when batteries are low.) 11. Search 12. Bookmark 13. Refresh 14. Stand-by 15. Calculator 16. Left and Right Mouse Buttons 17. Tilt wheel plus zoom (Enables up-and-down and side-to-side scrolling. Click and roll the wheel to zoom in and out. Install the software to activate side-to-side scrolling and zoom.)

## Português

1. E-mail 2. Forward/Back 3. Document 4. Media 5. Play/Pause 6. Volume Up 7. Volume Down 8. Mute 9. On/Off 10. Battery LED (Glowes green briefly when batteries are good and the device is turned on, paired with USB Mini-receiver, or awakened from Stand-by mode. Flashes red in these situations when batteries are low.) 11. Search 12. Bookmark 13. Refresh 14. Stand-by 15. Calculator 16. Left and Right Mouse Buttons 17. Tilt wheel plus zoom (Enables up-and-down and side-to-side scrolling. Click and roll the wheel to zoom in and out. Install the software to activate side-to-side scrolling and zoom.)

## Nederlands

1. E-mail 2. Forward/Back 3. Document 4. Media 5. Play/Pause 6. Volume Up 7. Volume Down 8. Mute 9. On/Off 10. Battery LED (Glowes green briefly when batteries are good and the device is turned on, paired with USB Mini-receiver, or awakened from Stand-by mode. Flashes red in these situations when batteries are low.) 11. Search 12. Bookmark 13. Refresh 14. Stand-by 15. Calculator 16. Left and Right Mouse Buttons 17. Tilt wheel plus zoom (Enables up-and-down and side-to-side scrolling. Click and roll the wheel to zoom in and out. Install the software to activate side-to-side scrolling and zoom.)

## Svenska

1. E-mail 2. Forward/Back 3. Document 4. Media 5. Play/Pause 6. Volume Up 7. Volume Down 8. Mute 9. On/Off 10. Battery LED (Glowes green briefly when batteries are good and the device is turned on, paired with USB Mini-receiver, or awakened from Stand-by mode. Flashes red in these situations when batteries are low.) 11. Search 12. Bookmark 13. Refresh 14. Stand-by 15. Calculator 16. Left and Right Mouse Buttons 17. Tilt wheel plus zoom (Enables up-and-down and side-to-side scrolling. Click and roll the wheel to zoom in and out. Install the software to activate side-to-side scrolling and zoom.)

## Dansk

1. E-mail 2. Forward/Back 3. Document 4. Media 5. Play/Pause 6. Volume Up 7. Volume Down 8. Mute 9. On/Off 10. Battery LED (Glowes green briefly when batteries are good and the device is turned on, paired with USB Mini-receiver, or awakened from Stand-by mode. Flashes red in these situations when batteries are low.) 11. Search 12. Bookmark 13. Refresh 14. Stand-by 15. Calculator 16. Left and Right Mouse Buttons 17. Tilt wheel plus zoom (Enables up-and-down and side-to-side scrolling. Click and roll the wheel to zoom in and out. Install the software to activate side-to-side scrolling and zoom.)



**Norsk** 1. E-mail 2. Forward/Back 3. Document 4. Media 5. Play/Pause 6. Volume Up 7. Volume Down 8. Mute 9. On/Off 10. Battery LED (Glow green briefly when batteries are good and the device is turned on, paired with USB Mini-receiver, or awakened from Stand-by mode. Flashes red in these situations when batteries are low.) 11. Search 12. Bookmark 13. Refresh 14. Stand-by 15. Calculator 16. Left and Right Mouse Buttons 17. Tilt wheel plus zoom (Enables up-and-down and side-to-side scrolling. Click and roll the wheel to zoom in and out. Install the software to activate side-to-side scrolling and zoom.)

**Suomi** 1. E-mail 2. Forward/Back 3. Document 4. Media 5. Play/Pause 6. Volume Up 7. Volume Down 8. Mute 9. On/Off 10. Battery LED (Glow green briefly when batteries are good and the device is turned on, paired with USB Mini-receiver, or awakened from Stand-by mode. Flashes red in these situations when batteries are low.) 11. Search 12. Bookmark 13. Refresh 14. Stand-by 15. Calculator 16. Left and Right Mouse Buttons 17. Tilt wheel plus zoom (Enables up-and-down and side-to-side scrolling. Click and roll the wheel to zoom in and out. Install the software to activate side-to-side scrolling and zoom.)

**Ελληνικά** 1. E-mail 2. Forward/Back 3. Document 4. Media 5. Play/Pause 6. Volume Up 7. Volume Down 8. Mute 9. On/Off 10. Battery LED (Glow green briefly when batteries are good and the device is turned on, paired with USB Mini-receiver, or awakened from Stand-by mode. Flashes red in these situations when batteries are low.) 11. Search 12. Bookmark 13. Refresh 14. Stand-by 15. Calculator 16. Left and Right Mouse Buttons 17. Tilt wheel plus zoom (Enables up-and-down and side-to-side scrolling. Click and roll the wheel to zoom in and out. Install the software to activate side-to-side scrolling and zoom.)

**По-русски** 1. E-mail 2. Forward/Back 3. Document 4. Media 5. Play/Pause 6. Volume Up 7. Volume Down 8. Mute 9. On/Off 10. Battery LED (Glow green briefly when batteries are good and the device is turned on, paired with USB Mini-receiver, or awakened from Stand-by mode. Flashes red in these situations when batteries are low.) 11. Search 12. Bookmark 13. Refresh 14. Stand-by 15. Calculator 16. Left and Right Mouse Buttons 17. Tilt wheel plus zoom (Enables up-and-down and side-to-side scrolling. Click and roll the wheel to zoom in and out. Install the software to activate side-to-side scrolling and zoom.)



**English Solving Setup Problems.** 1. Check USB mini-receiver connection to computer. 2. Check battery installation. The mouse uses 2 AA batteries; the keyboard uses 2 AAA batteries. 4. Establish communications. Press Connect button on receiver, and then press Connect button under mouse. Press Connect button on receiver, and then press Connect button under keyboard.

**Deutsch Solving Setup Problems.** 1. Check USB mini-receiver connection to computer. 2. Check battery installation. The mouse uses 2 AA batteries; the keyboard uses 2 AAA batteries. 4. Establish communications. Press Connect button on receiver, and then press Connect button under mouse. Press Connect button on receiver, and then press Connect button under keyboard.

**Français Solving Setup Problems.** 1. Check USB mini-receiver connection to computer. 2. Check battery installation. The mouse uses 2 AA batteries; the keyboard uses 2 AAA batteries. 4. Establish communications. Press Connect button on receiver, and then press Connect button under mouse. Press Connect button on receiver, and then press Connect button under keyboard.

**Italiano Solving Setup Problems.** 1. Check USB mini-receiver connection to computer. 2. Check battery installation. The mouse uses 2 AA batteries; the keyboard uses 2 AAA batteries. 4. Establish communications. Press Connect button on receiver, and then press Connect button under mouse. Press Connect button on receiver, and then press Connect button under keyboard.

**Español Solving Setup Problems.** 1. Check USB mini-receiver connection to computer. 2. Check battery installation. The mouse uses 2 AA batteries; the keyboard uses 2 AAA batteries. 4. Establish communications. Press Connect button on receiver, and then press Connect button under mouse. Press Connect button on receiver, and then press Connect button under keyboard.

**Português Solving Setup Problems.** 1. Check USB mini-receiver connection to computer. 2. Check battery installation. The mouse uses 2 AA batteries; the keyboard uses 2 AAA batteries. 4. Establish communications. Press Connect button on receiver, and then press Connect button under mouse. Press Connect button on receiver, and then press Connect button under keyboard.

**Nederlands Solving Setup Problems.** 1. Check USB mini-receiver connection to computer. 2. Check battery installation. The mouse uses 2 AA batteries; the keyboard uses 2 AAA batteries. 4. Establish communications. Press Connect button on receiver, and then press Connect button under mouse. Press Connect button on receiver, and then press Connect button under keyboard.

**Svenska Solving Setup Problems.** 1. Check USB mini-receiver connection to computer. 2. Check battery installation. The mouse uses 2 AA batteries; the keyboard uses 2 AAA batteries. 4. Establish communications. Press Connect button on receiver, and then press Connect button under mouse. Press Connect button on receiver, and then press Connect button under keyboard.

**Dansk Solving Setup Problems.** 1. Check USB mini-receiver connection to computer. 2. Check battery installation. The mouse uses 2 AA batteries; the keyboard uses 2 AAA batteries. 4. Establish communications. Press Connect button on receiver, and then press Connect button under mouse. Press Connect button on receiver, and then press Connect button under keyboard.

**Norsk Solving Setup Problems.** 1. Check USB mini-receiver connection to computer. 2. Check battery installation. The mouse uses 2 AA batteries; the keyboard uses 2 AAA batteries. 4. Establish communications. Press Connect button on receiver, and then press Connect button under mouse. Press Connect button on receiver, and then press Connect button under keyboard.

**Suomi Solving Setup Problems.** 1. Check USB mini-receiver connection to computer. 2. Check battery installation. The mouse uses 2 AA batteries; the keyboard uses 2 AAA batteries. 4. Establish communications. Press Connect button on receiver, and then press Connect button under mouse. Press Connect button on receiver, and then press Connect button under keyboard.

**Ελληνικά Solving Setup Problems.** 1. Check USB mini-receiver connection to computer. 2. Check battery installation. The mouse uses 2 AA batteries; the keyboard uses 2 AAA batteries. 4. Establish communications. Press Connect button on receiver, and then press Connect button under mouse. Press Connect button on receiver, and then press Connect button under keyboard.

**По-русски Solving Setup Problems.** 1. Check USB mini-receiver connection to computer. 2. Check battery installation. The mouse uses 2 AA batteries; the keyboard uses 2 AAA batteries. 4. Establish communications. Press Connect button on receiver, and then press Connect button under mouse. Press Connect button on receiver, and then press Connect button under keyboard.

**English** **Important Ergonomic Information.** Read the Comfort Guidelines in the Help System and at <http://www.logitech.com/comfort>.

**International Standards and Safety. INVISIBLE LASER RADIATION: DO NOT VIEW DIRECTLY WITH OPTICAL INSTRUMENTS; CLASS 1 LASER PRODUCT.** Refer to the software CD for more information regarding safe usage of this Class 1 laser product. **Warranty and Compliance.** Your product comes with a 3-year limited warranty and is FCC and CE compliant. For warranty information, refer to the software help system. For compliance information, go to <http://www.logitech.com/compliance>. **Battery Warning and UL Testing.** Your product uses alkaline batteries. Battery disposal and warning information is located on the software CD and at <http://www.logitech.com/compliance>. Your product is UL tested and should only be used with other UL listed devices.

**Deutsch** **Wichtige Hinweise zur Arbeitsplatzeinrichtung:** Lesen Sie die Richtlinien zur Vermeidung von Gesundheitsschäden in der Online-Hilfe oder unter <http://www.logitech.com/comfort>.

**Internationale Normen und Sicherheit. Unsichtbarer Laser: Schauen Sie nicht direkt in die Linse. Lasergerät der Klasse 1.** Weitere Informationen zum sicheren Einsatz dieses Klasse 1-Laserprodukts finden Sie auf der Software-CD. **Garantie und Einhaltung von Bestimmungen.** Das Gerät wird mit einer eingeschränkten Garantie von drei Jahren geliefert und entspricht den FCC- und CE-Bestimmungen. Informationen zur Garantie finden Sie in der Online-Hilfe. Informationen zur Einhaltung von Bestimmungen finden Sie unter <http://www.logitech.com/compliance>. **Informationen zu Batterien und UL.** Das Produkt nutzt Alkalibatterien. Hinweise zum Verwenden und Entsorgen von Batterien befinden sich auf der Software-CD und unter <http://www.logitech.com/compliance>. Das Gerät wurde von den "Underwriters Laboratories" getestet und sollte nur mit anderen UL-geprüften Geräten eingesetzt werden.

**Français** **Informations importantes relatives au confort.** Veuillez lire le guide Logitech et votre confort dans l'Aide du logiciel ou sur le site Web <http://www.logitech.com/comfort>.

**Normes internationales et sécurité. RAYONNEMENT LASER INVISIBLE: NE PAS L'EXAMINER DIRECTEMENT AVEC DES INSTRUMENTS OPTIQUES; PRODUIT LASER DE CATEGORIE 1.** Pour plus d'informations sur l'utilisation sans risque de cet appareil laser de catégorie 1, reportez-vous au CD du logiciel. **Garantie et conformité.** Votre produit est livré avec une garantie limitée de 3 ans, et il est conforme FCC et CE. Pour en savoir plus, consultez l'Aide du logiciel. Pour les informations relatives à la conformité, rendez-vous sur <http://www.logitech.com/compliance>. **Avertissement relatif aux piles et certification UL.** Votre produit fonctionne avec des piles alcalines. Vous trouverez des instructions de sécurité et sur le recyclage des piles sur le CD du logiciel et sur le site <http://www.logitech.com/compliance>. Votre produit est certifié UL et doit être utilisé uniquement avec des appareils certifiés UL.

**Italiano** **Importanti informazioni sul comfort.** Leggere le Indicazioni per il massimo comfort nella Guida in linea del software e all'indirizzo <http://www.logitech.com/comfort>.

**Sicurezza e standard internazionali RADIAZIONI LASER INVISIBILI: NON UTILIZZARE STRUMENTI OTTICI A CONTATTO CON IL RAGGIO LASER; PRODOTTO LASER DI CLASSE 1.** Per ulteriori informazioni su come utilizzare in modo sicuro questo prodotto laser di Classe 1, consultare il CD del software. **Garanzia e conformità.** Questo prodotto viene fornito con una garanzia limitata di 3 anni e conformità FCC e CE. Per ulteriori informazioni sulla garanzia, fare riferimento alla guida in linea del software. Per informazioni sulla conformità visitare il sito Web <http://www.logitech.com/compliance>. **Avvertenze sulle batterie e certificazione UL.** Questo prodotto utilizza batterie alcaline. Informazioni sullo smaltimento delle batterie e avvertenze particolari sono riportate nel CD del software e sulla pagina Web <http://www.logitech.com/compliance>. Questo prodotto ha ottenuto la certificazione UL e pertanto deve essere utilizzato soltanto con altri dispositivi con marchio UL.

**Español** **Información sanitaria importante.** Lea las recomendaciones para evitar el cansancio, que encontrará en el sistema de ayuda y en la página <http://www.logitech.com/comfort>.

**Normativa internacional y seguridad. RADIACIÓN LÁSER INVISIBLE: EVITE FIJAR LA VISTA CUANDO MIRE A TRAVÉS DE INSTRUMENTOS ÓPTICOS; PRODUCTO LÁSER DE CLASE 1.** En el CD de software encontrará información sobre el uso correcto y seguro de este producto láser de clase 1. **Garantía y cumplimiento de normativas.** El producto se entrega con una garantía limitada de 3 años y cumple con las normativas FCC y CE. Para obtener más información sobre la garantía, consulte el sistema de ayuda del software. Para obtener más información sobre el cumplimiento de las normativas, visite <http://www.logitech.com/compliance>. **Información sobre pilas y pruebas UL.** Su producto utiliza pilas alcalinas. Encontrará información sobre el uso y la forma correcta de desechar las pilas en el CD del software y en la página <http://www.logitech.com/compliance>. Este producto ha pasado las pruebas UL y sólo debería utilizarse con otros dispositivos con certificación UL.

**Português** **Informações importantes sobre ergonomia.** Leia as directrizes de conforto no sistema de ajuda e em <http://www.logitech.com/comfort>.

**Normas internacionais e segurança. RADIAÇÃO DE LASER INVISÍVEL: NÃO OLHE DIRECTAMENTE COM INSTRUMENTOS ÓPTICOS; PRODUTO LASER DE CLASSE 1.** Consulte o CD do software para obter mais informações sobre a utilização segura deste produto laser de Classe 1. **Garantia e conformidade.** O seu produto tem uma garantia limitada de 3 anos e está em conformidade com FCC e CE. Para obter informações sobre a garantia, consulte o sistema de ajuda do software. Para obter informações sobre a compatibilidade, vá a <http://www.logitech.com/compliance>. **Aviso de pilhas e teste UL.** Este produto utiliza pilhas alcalinas. As informações sobre aviso e eliminação de pilhas estão localizadas no CD do software e em <http://www.logitech.com/compliance>. Este produto foi submetido ao teste UL e deve ser utilizado somente com outros dispositivos listados em UL.

**Nederlands** **Over verantwoord gebruik.** Lees de comfortrichtlijnen in de online-Help of op <http://www.logitech.com/comfort>.

**Internationale standaarden en veiligheid. ONZICHTBARE LASERSTRALING: KIJK NIET DIRECT IN DE STRAAL MET OPTISCHE INSTRUMENTEN; KLASSE 1-LASERPRODUCT.** Op de software-cd vindt u meer informatie over veilig gebruik van dit Klasse 1-laserproduct. **Garantie en navolging.** Uw product wordt geleverd met een beperkte garantie van 3 jaar, en voldoet aan de FCC- en CE-voorschriften. Raadpleeg de online-Help voor meer garantie-informatie. Informatie over

navolging vindt u op <http://www.logitech.com/compliance>. **Batterijwaarschuwing en door UL getest.** Uw product gebruikt alkalinebatterijen. Waarschuwingen en informatie over batterijen en het weggooien ervan staan op de software-cd en op <http://www.logitech.com/compliance>. Uw product is door UL getest en mag alleen met andere apparaten op de UL-lijst gebruikt worden.

**Svenska** **Viktig ergonomisk information.** Läs igenom riktlinjerna för en god arbetsmiljö i den elektroniska hjälpen eller på <http://www.logitech.com/comfort>.

**Internationella standarder och säkerhet. OSYNLIG LASERSTRÅLNING: Får ej användas eller betraktas med optiska instrument. Laserprodukt klass 1.**

Se program-cd:n för vidare information om säker användning av laserprodukter av klass 1. **Garanti och typgodkännanden.** Denna produkt säljs med 3 års garanti samt är FCC- och CE-typgodkänd. För vidare information, se den elektroniska hjälpen. Se <http://www.logitech.com/compliance> för vidare information om typgodkännanden.

**Batteriinformation om UL-testning.** I denna produkt används alkaliska batterier. Se program-cd:n eller <http://www.logitech.com/compliance> för information om kassering av uttjänta batterier och andra batterianvisningar. Produkten är UL-testad och bör endast användas med andra enheter som uppfyller dessa krav.

**Dansk** **Vigtige oplysninger om arbejdsfysiologi.** Du kan læse kapitlet om arbejdsfysiologi i den elektroniske hjælp eller på <http://www.logitech.com/comfort>.

**Internationale standarder og sikkerhed. USYNLIGE LASERSTRÅLER: KIG IKKE DIREKTE IND I EN LASERSTRÅLE VHA. ET OPTISK INSTRUMENT. LASERPRODUKT AF KLASSE 1.**

På cd'en med software er der flere oplysninger om sikkerhed og laserprodukter i klasse 1. **Garanti og kompatibilitet.** Der er 3 års begrænset garanti på produktet, og det overholder FCC og CE-bestemmelserne. Der er flere oplysninger om garantien i den elektroniske hjælp. Hvis du vil vide mere om kompatibilitet, kan du gå til <http://www.logitech.com/compliance>. **Batteriadvarsel og UL-godkendelse.** Produktet drives af alkaliske batterier. Der er oplysninger om bortskaffelse og håndtering af batterier på cd'en med software og på <http://www.logitech.com/compliance>. Produktet er testet af UL-laboratorierne og bør kun benyttes sammen med andre UL-godkendte enheder.

**Norsk** **Viktig informasjon om arbeidsstilling:** Les Logitechs retningslinjer for komfortabel bruk. Disse finner du i hjelpesystemet og på <http://www.logitech.com/comfort>.

**Internasjonale standarder. USYNLIG LASERSTRÅLING: SE ALDRI DIREKTE PÅ STRÅLEN GJENNOM OPTISKE INSTRUMENTER. LASERPRODUKT, KLASSE 1.**

Du finner mer informasjon om sikker bruk av dette klasse 1-laserproduktet på programvare-cd-en. **Garanti- og samsvarserklæring.** Produktet etterkommer FCC- og CE-forskriftene og leveres med en begrenset 3 års garanti. Du finner informasjon om garantier i programvarens hjelpesystem. Dersom du ønsker å finne ut mer om samsvar med gjeldende standarder, kan du gå til <http://www.logitech.com/compliance>. **Batteriadvarsel og UL-testing.** Produktet bruker alkaliske batterier. Du finner mer informasjon om kassering av batterier samt ulike advarsler på programvare-cd-en og på <http://www.logitech.com/compliance>. Produktet er UL-testet og skal kun brukes sammen med andre UL-godkjente enheter.

**Suomi** **Tärkeää tietoa ergonomiasta.** Lue Tietokoneen mukava käyttö -opas ohjelmiston ohjeessa ja osoitteessa <http://www.logitech.com/comfort>.

**Kansainväliset standardit ja turvallisuus. NÄKYMÄTÖN LASERSÄTEILY: ÄLÄ KATSO LASERSÄTEESEEN OPTISEN INSTRUMENTIN LÄPI; LUOKAN 1 LASERLAITE.**

Katso luokan 1 laserlaitteen turvallista käyttöä koskevat lisäohjeet ohjelmisto-CD:ltä. **Takuu ja yhdenmukaisuus.** Tällä tuotteella on rajoitettu kolmen vuoden takuu ja tuote on FCC:n ja CE:n säännösten mukainen. Takuuta koskevia tietoja saat ohjelmiston ohjeesta. Yhdenmukaisuutta koskevia tietoja löydät osoitteesta <http://www.logitech.com/compliance>. **Paristoja koskeva varoitus ja UL-testaus.** Tuote käyttää alkaliparistoja. Paristojen hävittämistä koskevia tietoja ja varoituksia löytyy ohjelmisto-CD:ltä sekä osoitteesta <http://www.logitech.com/compliance>. Tuote on UL-testattu ja sitä tulisi käyttää vain muiden UL-listattujen laitteiden kanssa.

**Ελληνικά** **Σημαντικές πληροφορίες για την εργονομία.** Διαβάστε τις οδηγίες για άνετο χειρισμό στο σύστημα βοήθειας ή στη διεύθυνση <http://www.logitech.com/comfort>.

**Διεθνή πρότυπα και ασφάλεια. ΑΟΡΑΤΗ ΑΚΤΙΝΟΒΟΛΙΑ ΛΕΙΖΕΡ: ΜΗΝ ΤΗΝ ΚΟΙΤΑΖΕΤΕ ΑΠΕΥΘΕΙΑΣ ΧΡΗΣΙΜΟΠΟΙΩΝΤΑΣ ΟΠΤΙΚΑ ΟΡΓΑΝΑ, ΠΡΟΪΟΝ ΛΕΙΖΕΡ ΚΛΑΣΗΣ 1.** Ανατρέξτε στο CD λογισμικού για περισσότερες πληροφορίες σχετικά με την ασφαλή χρήση αυτού του προϊόντος λέιζερ κλάσης 1. **Εγγύηση και Συμμόρφωση.**

Το προϊόν συνοδεύεται από περιορισμένη τριετή εγγύηση και συμμορφώνεται με τους κανονισμούς FCC και CE. Για πληροφορίες σχετικά με τη εγγύηση, ανατρέξτε στο σύστημα βοήθειας του λογισμικού. Για πληροφορίες σχετικά με τους κανόνες συμμόρφωσης, μεταβείτε στη διεύθυνση <http://www.logitech.com/compliance>.

**Προειδοποίηση για τις μπαταρίες και έλεγχος UL.** Το προϊόν χρησιμοποιεί αλκαλικές μπαταρίες. Για πληροφορίες σχετικά με την απόρριψη μπαταριών και για προειδοποιητικές υποδείξεις, ανατρέξτε στο CD με το λογισμικό και στη διεύθυνση: <http://www.logitech.com/compliance>. Το προϊόν σας έχει ελεγχθεί σύμφωνα με τα πρότυπα UL και πρέπει να χρησιμοποιείται μόνο με άλλες συσκευές που έχουν ελεγχθεί σύμφωνα με τα πρότυπα UL.

**По-русски** **Важные сведения по эргономике.** Ознакомьтесь с рекомендациями по созданию удобных условий работы в справке или на веб-странице по адресу <http://www.logitech.com/comfort>.

**Международные стандарты и безопасность. НЕВИДИМОЕ ЛАЗЕРНОЕ ИЗЛУЧЕНИЕ: НЕ СМОТРЕТЬ ПРЯМО НА ПРОДУКТ ЧЕРЕЗ ОПТИЧЕСКИЕ ПРИБОРЫ; ЛАЗЕРНЫЙ ПРОДУКТ КЛАССА 1.** Дополнительные сведения о безопасном применении этого лазерного продукта класса 1 см. на компакт-диске с программным обеспечением. **Гарантия и заявление о соответствии.** Данный продукт поставляется с ограниченной гарантией на 3 года и полностью соответствует требованиям стандартов FCC и CE. Дополнительные сведения см. в справке программного обеспечения. Сведения о соответствии требованиям стандартам см. на веб-узле <http://www.logitech.com/compliance>. **Меры предосторожности при обращении с элементами питания и UL-испытания.** Данный продукт питается от щелочных элементов питания. Сведения об утилизации элементов питания и мерах предосторожности при обращении с ними можно найти на компакт-диске с программным обеспечением и на веб-странице <http://www.logitech.com/compliance>. Продукт прошел UL-испытания, и использовать его следует только с другими устройствами, перечисленными в списке соответствия UL.

### **Federal Communication Commission Interference Statement**

This equipment has been tested and found to comply with the limits for a Class B digital device, pursuant to Part 15 of the FCC Rules. These limits are designed to provide reasonable protection against harmful interference in a residential installation. This equipment generates, uses and can radiate radio frequency energy and, if not installed and used in accordance with the instructions, may cause harmful interference to radio communications. However, there is no guarantee that interference will not occur in a particular installation. If this equipment does cause harmful interference to radio or television reception, which can be determined by turning the equipment off and on, the user is encouraged to try to correct the interference by one of the following measures:

- Reorient or relocate the receiving antenna.
- Increase the separation between the equipment and receiver.
- Connect the equipment into an outlet on a circuit different from that to which the receiver is connected.
- Consult the dealer or an experienced radio/TV technician for help.

FCC Caution: Any changes or modifications not expressly approved by the party responsible for compliance could void the user's authority to operate this equipment.

This device complies with Part 15 of the FCC Rules. Operation is subject to the following two conditions: (1) This device may not cause harmful interference, and (2) this device must accept any interference received, including interference that may cause undesired operation.

This equipment complies with FCC RF radiation exposure limits set forth for an uncontrolled environment. To maintain compliance with FCC RF exposure compliance requirements, please avoid direct contact to the transmitting antenna during transmitting.

### **Industry Canada Statement**

This device complies with RSS-210 of the Industry Canada Rules. Operation is subject to the following two conditions:

- 1) this device may not cause interference and
- 2) this device must accept any interference, including interference that may cause undesired operation of the device