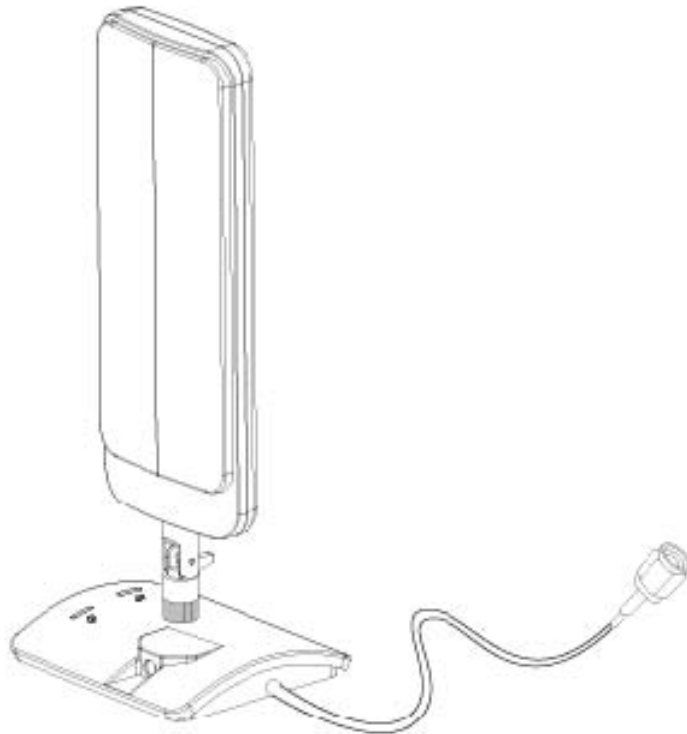


Wireless Signal Booster & 9 dBi Directional Antenna



Quick Start Guide1.0.0

PLEASE READ THIS NOTICE BEFORE USING THE PRODUCT

Thank you purchase this product, before starting to use , please do read this application notice and see how this product can be used in the most correct ways

1. Warning Statement

Federal Communication Commission Interference Statement Federal Communications Commission (FCC) Requirements, Part 15

1. Reorient or relocate the receiving antenna.
2. Increase the separation between the equipment and receiver.
3. Connect the equipment into an outlet on a circuit different from that to which the receiver is connected.
4. Consult the dealer or an experienced radio/TV technician for help.

This device complies with Part 15 of the FCC Rules. Operation is subject to the following two conditions:

This device may not cause harmful interference. This device must accept any interference received, including interference that may cause undesired operation.

FCC Caution:

This Transmitter must not be co-located or operating in conjunction with any other antenna or transmitter. This equipment complies with FCC RF radiation exposure limits set forth for an uncontrolled environment. This equipment should be installed and operated with a minimum distance of 20 centimeters between the radiator and your body. Unauthorized antenna, modification, or attachments could damage the transmitter and may violate FCC regulations.

Regulatory information / Disclaimers:

Any changes or modifications (including the antennas) made to this device that are not expressly approved by the manufacturer may void the user's authority to operate the equipment.

1.1 Step1. What you will need to get started

Wireless 802.11b, 802.11g or 802.11n network

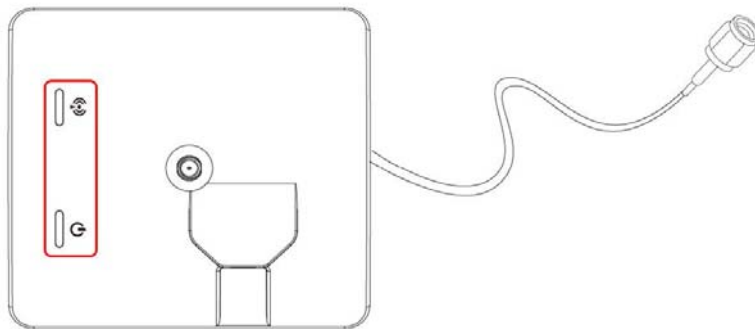
Wireless device to attach to this Booster

1.2 Step2. Check your package.

- **Booster device base stand × 1**
- **9 dBi Directional Antenna × 1**
- **Power Adapter × 1**
- **Quick start Guide × 1**

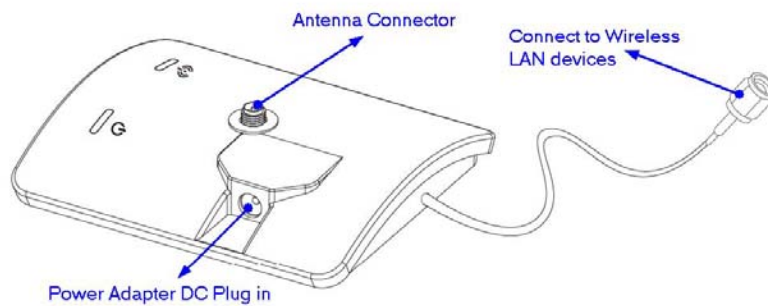
2. Hardware description

Front Side:

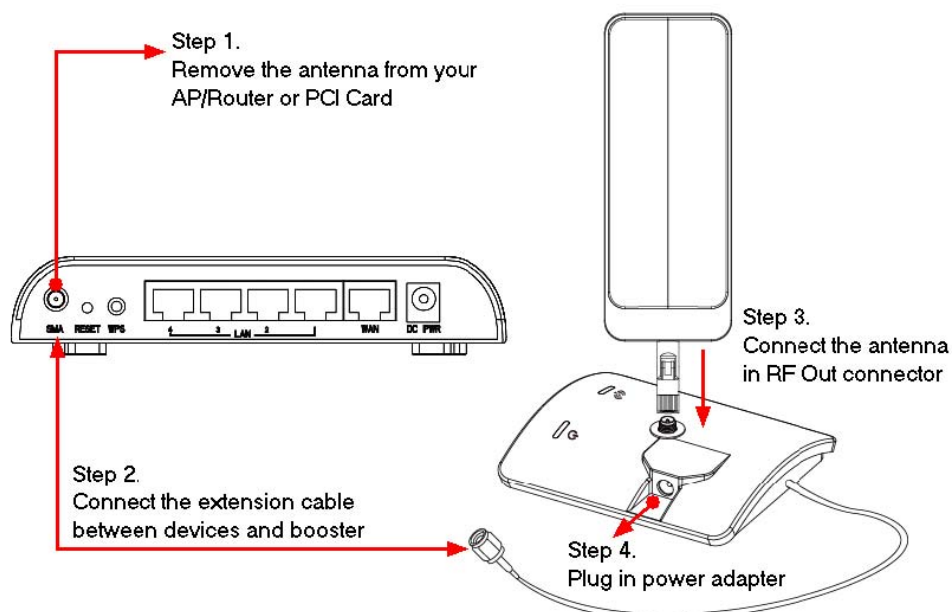


Status LED: Display power status and data transmit status.

Input Connector:



3. Hardware installation



4. System Requirements

802.11b, 802.11g or 802.11n Wireless Network Certified 802.11b/g/n Wireless AP / Router / PCI Network Adapter with a Removable Antenna.

Ethernet

A networking standard using cables (Category 5) to create a network.

Network Adapter

Also known as a NIC (Network Interface Card) used to provide PCs or laptops with an Ethernet port or wireless access to the network.

Broadband Modem

A device that allows broadband to connect to the Internet. Broadband connections include speeds faster than 56k (dial up modem speed). The two most common types of Broadband connections are DSL and Cable. Cable modem relies on the bandwidth of cable television lines while DSL modems rely on the telephone lines operating at DSL speeds.

Router

A device used to share internet access from one user to multiple users. By taking one IP address (Addresses used by ISP's to assign broadband services to your computer) the Router distributes the services of your broadband access among multiple users and IP's.

Wireless Device

Any Wi-Fi device(802.11b/g) that use the IEEE802.11 wireless standard. These devices can range from wireless access points to wireless routers to wireless PCI client cards.

IEEE 802.11

Wireless Network Specifications

- 802.11 -applies to wireless LANs (Networks) and provides 1 or 2 Mbps transmission in the 2.4 GHz band using either frequency hopping spread spectrum (FHSS) or direct sequence spread spectrum (DSSS).
- 802.11b -(also referred to as 802.11 High Rate or Wi-Fi) -an extension to 802.11 that applies to wireless LANs and provides 11 Mbps transmission (with a fallback to 5.5, 2 and 1 Mbps) in the 2.4 GHz band. 802.11b uses only DSSS. 802.11b was the 1999 ratification to the original 802.11 standard, allowing wireless functionality comparable to Ethernet.
- 802.11g -applies to wireless LANs and provides 54 Mbps in the 2.4 GHz band. Backwards compatible with IEEE 802.11b products.

Hi-Gain Wi-Fi Antenna

High powered antenna to increase the distance of your Wi-Fi device.

SMA Connector

The standard antenna connector is for Wi-Fi devices. This is the most popular connector and comes standard with all wireless Technologies equipment.

TNC Connector

A type of antenna connector is used by few wireless networking equipment manufacturers.

dBi (decibel)

A unit of measurement used to determine the gain level of wireless antennas.

mW (MilliWatt)

A unit of measurement used to determine the power level of wireless devices.

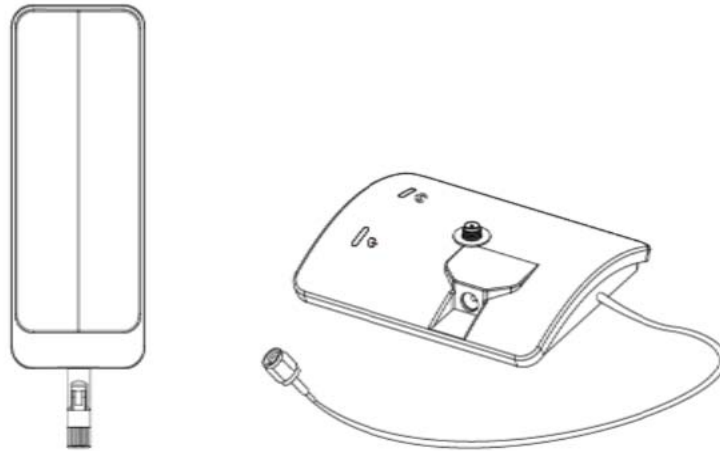
Proposal AP

Please use the LP-8616 AP, FCC ID : VYTLP-8616

FCC test report for the LP-8616 AP

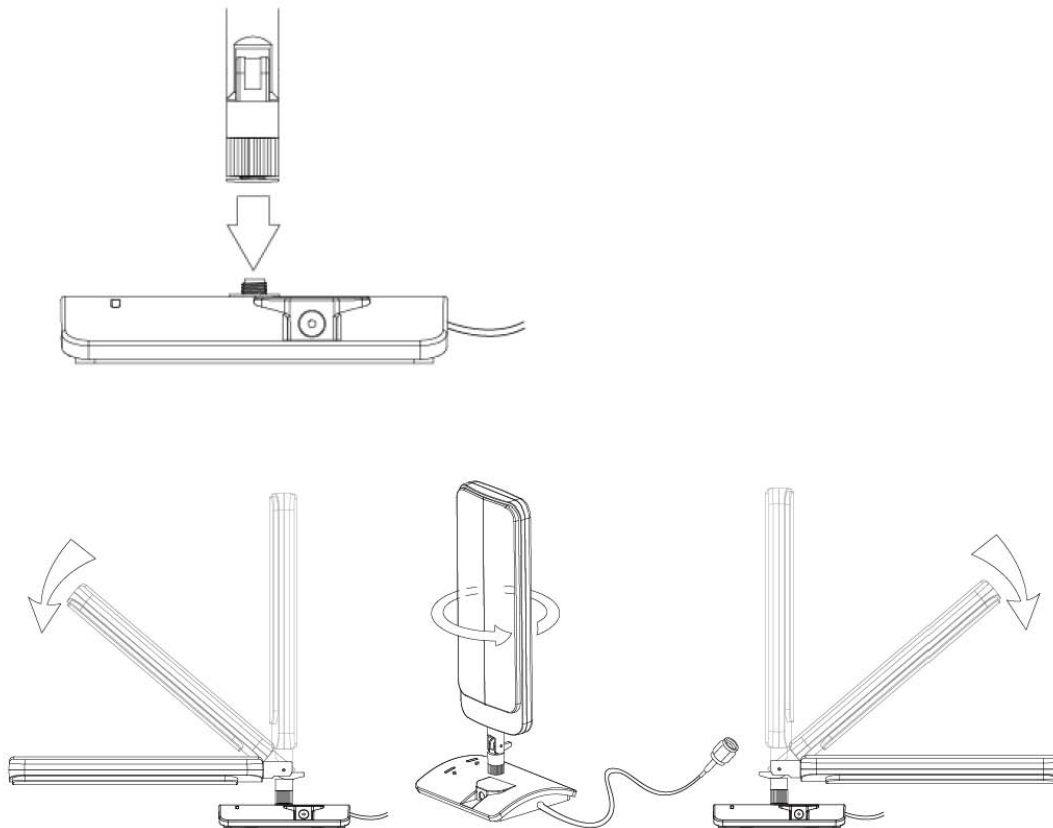
5. Directional Antenna Introduction

The following application diagram will help you to use this device.



The package includes one directional antenna and one booster stand with RF cable.

This package is included the antenna base which you can locate your antenna to a better or higher position to receive or transmit signals while you connect the antenna onto the AP/AP Router. In addition, this antenna can also be used with (PCI or USB adaptors which have SMA connector).

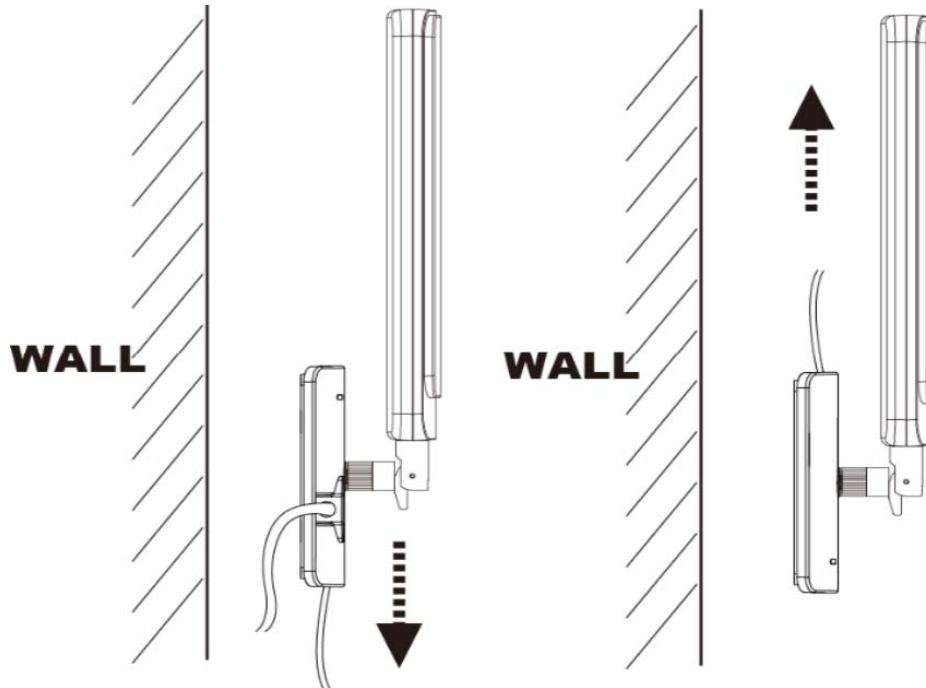


NOTICE

The antenna itself can do 0 to 90 deg mechanical bending and self rotating in 360 deg to get different bending directions. (See the diagram above)

Wall / partition mount (Antenna base with magnet embedded)

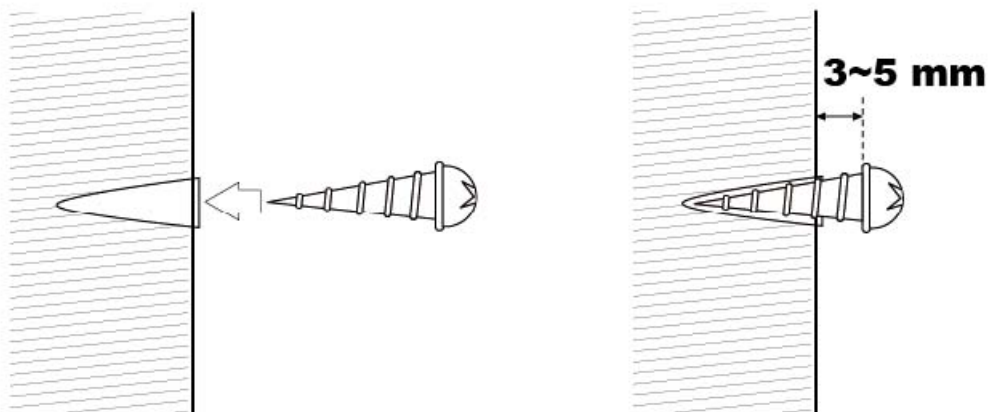
For another specific usage of the antenna deployment, you can install the antenna onto the wall with attached screws, or attach to office partitions with the magnet design. The cable deployment can go UPWARDS or DOWNWARDS based on the locations of your wireless devices.



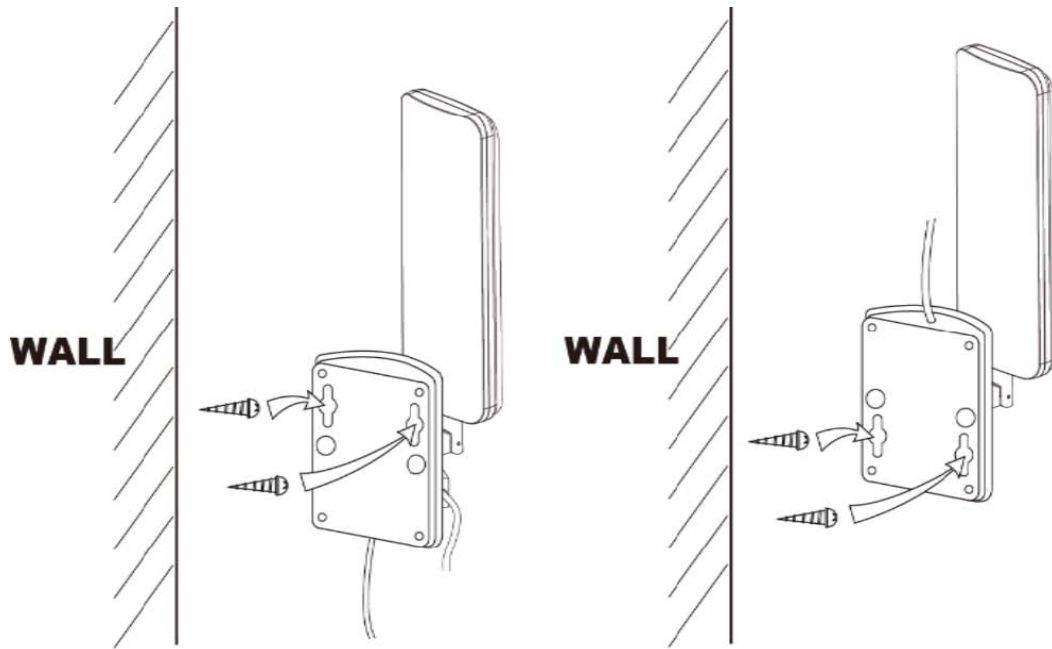
PLEASE NOTICE THE INSTALLATION STEPS BELOW BEFORE YOU START TO DRILL HOLES ON THE WALL FOR WALL MOUNT.

About the screws

Lock the screw tightly but remember to keep some free spaces left (about 3 to 5mm) like diagram below; therefore the antenna can be hung onto the wall with both the screws.

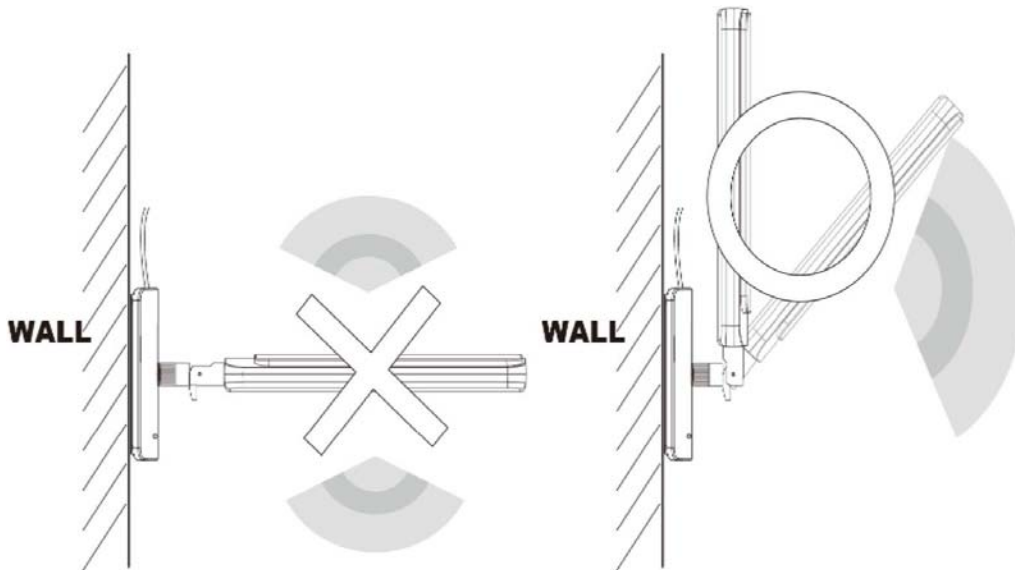


The direction of antenna stand decides where the cable goes.



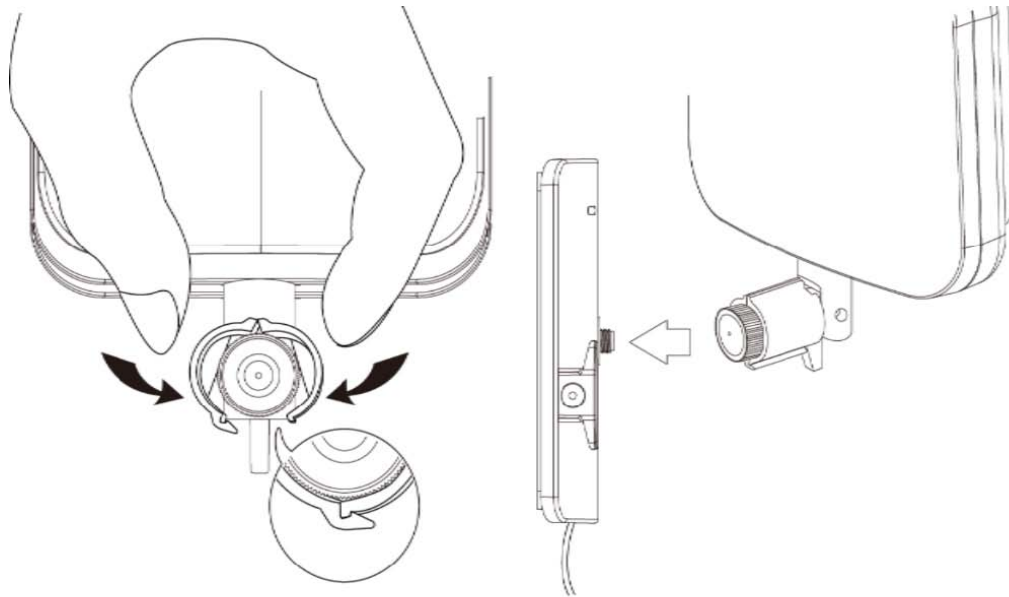
! WARNING FOR WALL MOUNT

Please do NOT put the antenna body in such horizontal direction, since the antenna only generate the horizontal signals when the antenna body is vertical to the ground to cover the horizontal environment like home/ office.

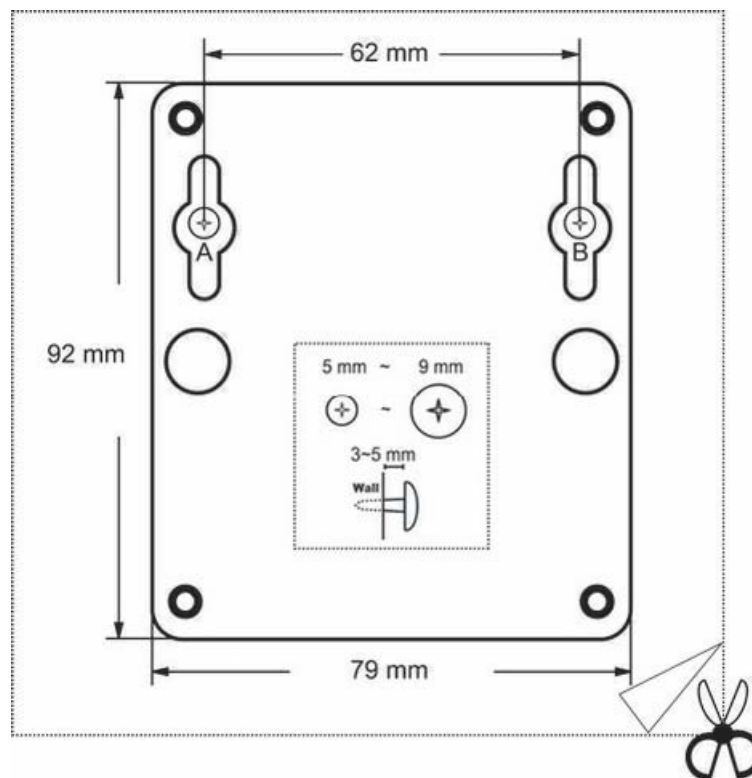


! WARNING FOR WALL MOUNT

When bend this antenna at 90 degree angle, clip the plastic strap is necessary.



Antenna base stand drawing



About the screws

Lock the screw tightly but remember to keep some free spaces left (about 3 to 5mm) like diagram below; therefore the antenna can be hanged onto the wall with both the screws.

The second method for mounting the antenna onto a wall:

The length between Point A and Point B is 62 mm. -Fix 2 nail or screws between an interval of 62 mm by a ruler on the wall for mounting the antenna -Cut the antenna base stand drawing from the Quick Installation Guide and place it where to mount on the wall and fix 2 nails or screws aiming at the Point A and B on the drawing.

