

F461AQ-Z

2K SMART OUTDOOR WI-FI PT CAMERA Quick Start Guide

V1.0.0




Foreword

General

This manual introduces the functions, installation and operations of the camera.

Safety Instructions

The following categorized signal words with defined meaning might appear in the manual.

Signal Words	Meaning
 WARNING	Indicates a medium or low potential hazard which, if not avoided, could result in slight or moderate injury.
 CAUTION	Indicates a potential risk which, if not avoided, could result in property damage, data loss, lower performance, or unpredictable result.
 NOTE	Provides additional information as the emphasis and supplement to the text.

About the Manual

- The manual is for reference only. If there is inconsistency between the manual and the actual product, the actual product shall prevail.
- We are not liable for any loss caused by the operations that do not comply with the manual.
- The manual would be updated according to the latest laws and regulations of related jurisdictions. For detailed information, refer to the paper manual, CD-ROM, QR code or our official website. If there is inconsistency between paper manual and the electronic version, the electronic version shall prevail.

01

- All the designs and software are subject to change without prior written notice. The product updates might cause some differences between the actual product and the manual. Please contact the customer service for the latest program and supplementary documentation.
- There still might be deviation in technical data, functions and operations description, or errors in print. If there is any doubt or dispute, we reserve the right of final explanation.
- Upgrade the reader software or try other mainstream reader software if the manual (in PDF format) cannot be opened.
- All trademarks, registered trademarks and the company names in the manual are the properties of their respective owners. Please visit our website, contact the supplier or customer service if there is any problem occurring when using the device.
- If there is any uncertainty or controversy, we reserve the right of final explanation.

Important Safeguards and Warnings

Electrical Safety

- All installation and operation must conform to your local electrical safety codes.
- Ensure power conforms to the Safety Extra Low Voltage (SELV), and that the rated voltage meets limited power source standards as specified in IEC60950-1. Note that the power supply requirement is subject to the device label.
- Make sure that the power supply is correct before operating the device.
- Please install easy-to-use device for power off before installing wiring, which is for emergent power off when necessary.
- Prevent the power cable from being trampled or pressed, especially the plug, power socket and the junction extruded from the device.

02

- Do not place the device in a wet, dusty, extremely hot or cold environment, and avoid places with strong electromagnetic radiation or unstable lighting.
- Keep the device away from any liquid to avoid damage to the internal components.
- Keep the indoor device away from rain or damp to avoid fire or lightning.
- Install the device in a well-ventilated place and do not block the ventilation of the device.
- Transport, use and store the device under the allowed humidity and temperature.
- Heavy stress, violent vibration or water splash are not allowed during transportation, storage and installation.
- Use the factory default package or material with equal quality to pack the device when transporting.
- Install the device in the location where only the professional staff with relevant knowledge of safety guards and warnings can access.

Operation and Daily Maintenance

- Do not touch the heat dissipation component of the device to avoid scald.
- Do not open or dismantle the device; there are no components that a user can fix or replace. Opening the unit may cause water leakage or expose components to direct light. Contact the manufacturer or a qualified service representative to service the device or to replace a component, including the desiccant. (Not all models are provided with the desiccant).
- It is recommended to use the device together with lightning arrester to improve lightning protection effect.
- It is recommended to ground the device to enhance reliability.
- Do not touch the CCD or the CMOS optic sensor. Use a dry cloth dampened with alcohol and gently wipe away any dust on the lens.

03

- You can clean the device body with soft dry cloth, and for stubborn stains, use the cloth with mild detergent. To avoid possible damage on device body coating which could cause performance decrease, do not use volatile solvent such as alcohol, benzene, diluent and so on to clean the device body, nor can strong, abrasive detergent be used.
- Dome cover is an optical component. Do not touch or wipe the cover with your hands directly during installation or operation.
- For removing dust, grease or fingerprints, wipe gently with moistened oil-free cotton with diethyl or moisten soft cloth. You can also remove dust with an air blower.

WARNING

- Strengthen the protection of network, device data and personal information by adopting measures which include but not limited to using strong password, changing password regularly, updating firmware to the latest version, and isolating computer network. For some device with old firmware versions, the ONVIF password will not be modified automatically along with the modification of the system password, and you need to upgrade the firmware or manually update the ONVIF password.
- Use standard components or accessories provided by manufacturer and make sure that the device is installed and maintained by professional engineers.
- The surface of the image sensor should not be exposed to laser beam radiation.
- Do not provide two or more power supply sources for the device unless otherwise specified. A failure to follow this instruction might cause damage to the device.

04

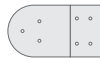
1 Package Contents



- Unpack the box and check if all the components are included before installation.
- Contact your local retailer if anything is broken in your package.



Camera ×1



Mounting Template ×1



Mounting Bracket ×1



Screw and Anchor Pack ×1



QSG ×1



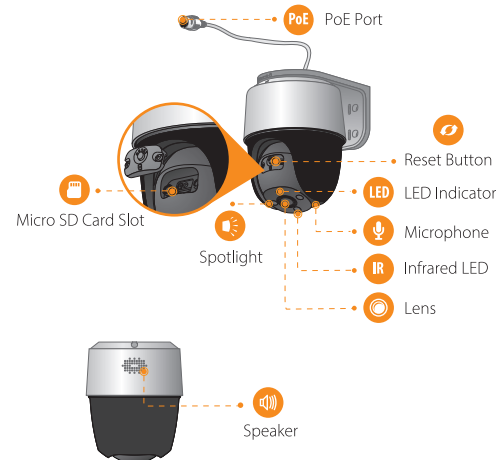
Waterproof Connector ×1

05

2 Camera Introduction



- Disconnect the camera from the power before installation or taking out its SD card.



06



Press and hold the reset button for 10 s to reset the camera.

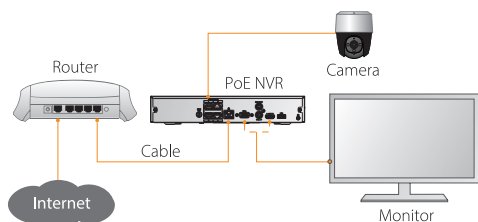
See the table below for meanings of camera's LED behaviors.

LED Indicator Status	Device Status
Off	<ul style="list-style-type: none"> Power off/LED turned off Rebooting after reset
Solid red	<ul style="list-style-type: none"> Booting Device malfunction
Flashing red	Network disconnected
Solid green	Operating correctly
Flashing green and red	Firmware updating

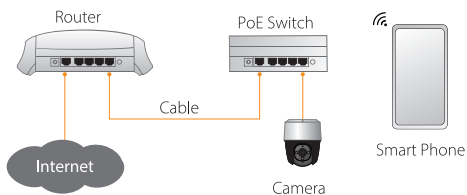
07

3 Application

Scenario one



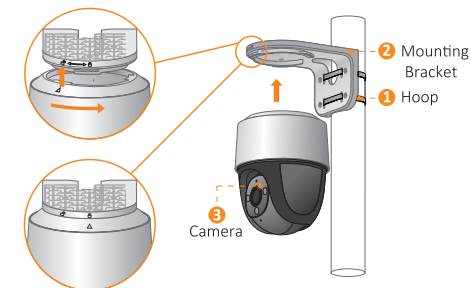
Scenario two



08

Pole Mount

- Make sure that the pole is strong enough to hold at least three times the weight of the camera and the bracket.
- The hoops are not provided. Please prepare them in advance.



- Step 1** Thread the hoop through the mounting holes on the bracket, then attach the bracket to the pole.
- Step 2** Align Δ on the top of the camera with \square on the bracket, then fit the two parts together.
- Step 3** Rotate the camera counterclockwise until it is locked. Make sure Δ align with \square .
- Step 4** Power on the camera and then adjust its angle properly.

12

4 Setting up Camera

Follow the steps below to add the camera to your Imou account.

Step 1 Scan the following QR code or search "Imou Life" in Google Play or App Store to download and install the app.

If you already use the app, make sure that you are using the latest version.



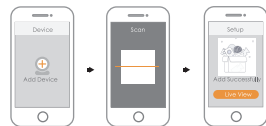
Step 2 Launch the app. Then create an account if you are a new user.

Step 3 Connect the camera to PoE power supply.

Step 4 After the camera boots up, the LED indicator light is on solid green.

If the LED indicator status goes wrong, reset the camera.

Step 5 Follow the on-screen prompts to add the camera. Repeat the adding process if you have multiple cameras.



09

6 FAQ

► **Q: The device cannot boot up or work as expected?**

Make sure that the network cable is firmly plugged in and a PoE switch or a PoE NVR is connected. Check to see if the indicator light on the NVR or switch flashes.

► **Q: Where are the recorded videos saved?**

- For scenario one, recordings are saved in the NVR.
- For scenario two, recordings are saved in the SD card if you have inserted it into the camera or are saved in the cloud if cloud storage is activated.

► **Q: When the micro SD card is full, how is the recorded video saved?**

When the micro SD card is full, the system will overwrite the previous recorded videos. Save the important information in time.

► **Q: Night vision of the camera is bad?**

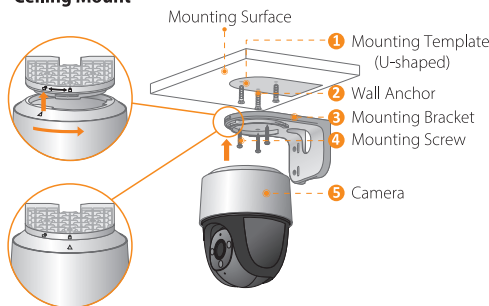
Avoid pointing the camera to reflective objects such as metal, glass, door titles and walls which will bounce the light back to the camera lens and cause IR reflection.

13

5 Installing Camera

Make sure that the mounting surface is strong enough to hold at least three times the weight of the camera and the bracket.

Ceiling Mount



Step 1 Peel off the U-shaped mounting template and stick it to the desired installation area.

Step 2 Drill holes into the mounting surface as the mounting template marks and then insert wall anchors as needed.

Step 3 Secure the mounting bracket to the surface with included mounting screws.

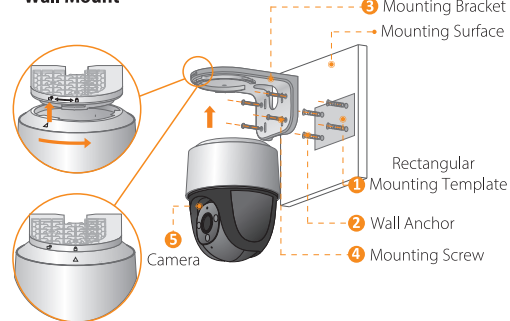
Step 4 Align Δ on the top of the camera with \square on the bracket, then fit the two parts together.

Step 5 Rotate the camera counterclockwise until it is locked. Make sure Δ align with \square .

Step 6 Power on the camera and then adjust its angle properly.

10

Wall Mount



Step 1 Peel off the rectangular mounting template and stick it to the desired installation area.

Step 2 Drill holes into the mounting surface as the mounting template marks and then insert wall anchors as needed.

Step 3 Secure the mounting bracket to the surface with included mounting screws.

Step 4 Align Δ on the top of the camera with \square on the bracket, then fit the two parts together.

Step 5 Rotate the camera counterclockwise until it is locked. Make sure Δ align with \square .

Step 6 Power on the camera and then adjust its angle properly.

11

Please take attention that changes or modification not expressly approved by the party responsible for compliance could void the user's authority to operate the equipment.

This device complies with Part 15 of the FCC Rules.

Operation is subject to the following two conditions:

- (1) This device may not cause harmful interference, and
- (2) This device must accept any interference received, including interference that may cause undesired operation.

This device complies with Industry Canada licence-exempt RSS standard(s). Operation is subject to the following two conditions:

- (1) this device may not cause interference, and
- (2) this device must accept any interference, including interference that may cause undesired operation of the device.

Le présent appareil est conforme aux CNR d'Industrie Canada applicables aux appareils radioexempts de licence.

L'exploitation est autorisée aux deux conditions suivantes :

- (1) l'appareil ne doit pas produire de brouillage, et
- (2) l'utilisateur de l'appareil doit accepter tout brouillage radioélectrique subi, même si le brouillage est susceptible d'en compromettre le fonctionnement.

This equipment complies with FCC/IC RSS-102 radiation exposure limits set forth for an uncontrolled environment.

This equipment should be installed and operated with minimum distance 20cm between the radiator & your body.

ce matériel est conforme aux limites de dose d'exposition aux rayonnements, FCC / CNR-102 énoncée dans un autre environnement. cette équipement devrait être installé et exploité avec distance minimale de 20 entre le radiateur et votre corps.