



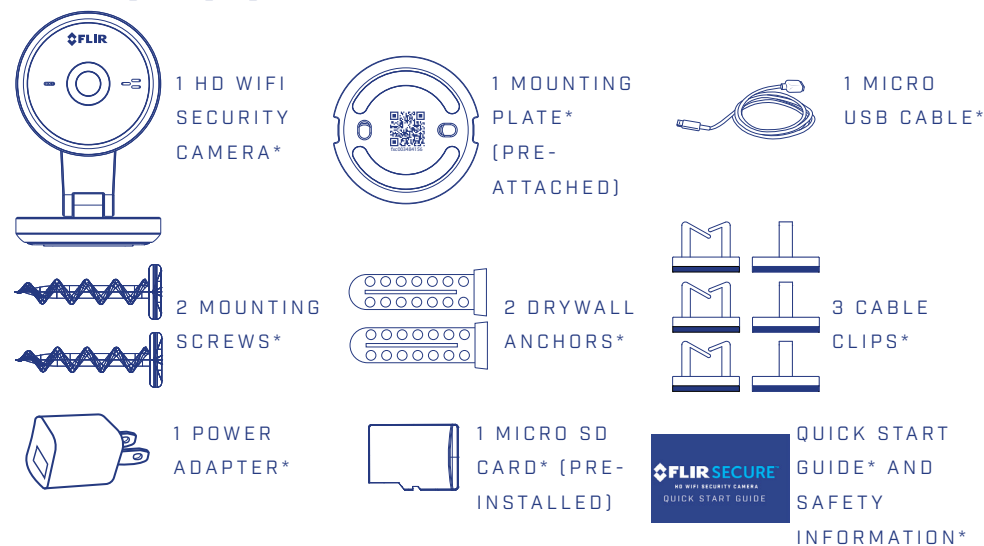
HD WIFI SECURITY CAMERA

# QUICK START GUIDE



HD WIFI SECURITY CAMERA

### WHAT'S INCLUDED:



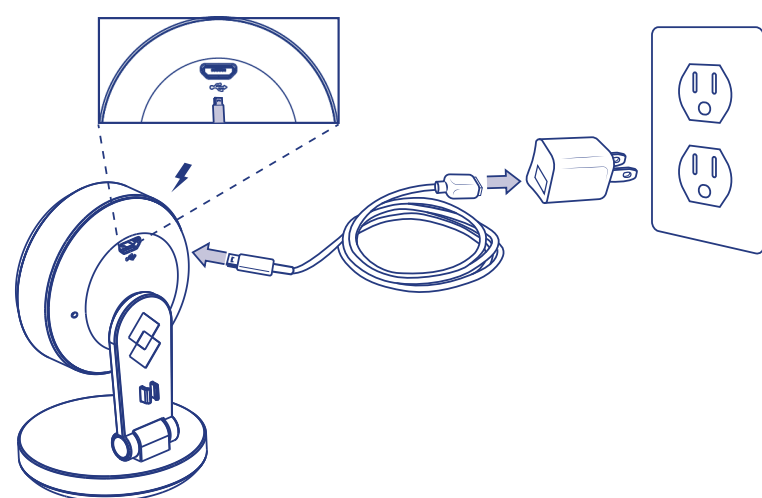
\*CAMERA CONFIGURATION, MEMORY CARD SIZE, AND THE NUMBER OF ACCESSORIES MAY VARY BY MODEL. PLEASE REFER TO YOUR PACKAGE FOR SPECIFIC DETAILS.

DISCLAIMER: YOUR ACCESSORIES MIGHT APPEAR DIFFERENT FROM THE ONES DEPICTED IN THIS GUIDE.

### SETUP INSTRUCTIONS:

#### STEP ONE

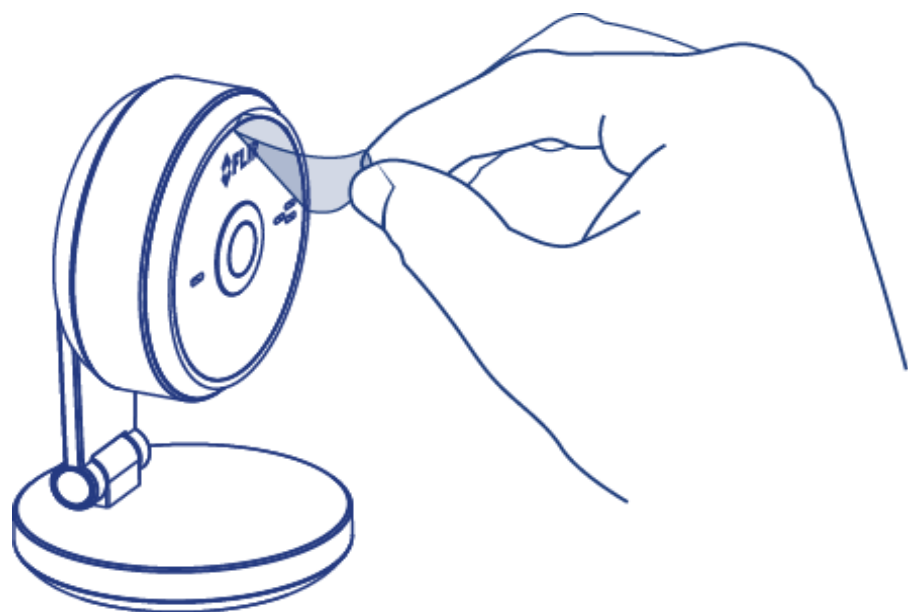
PLUG IN YOUR CAMERA.



CAMERA TURNS ON AUTOMATICALLY WHEN THE POWER ADAPTER IS CONNECTED.

#### STEP TWO

REMOVE THE PROTECTIVE FILM ON THE LENS.



#### STEP THREE

(I) DOWNLOAD THE FLIR SECURE™ APP TO YOUR MOBILE DEVICE, THEN LAUNCH THE APP AND CREATE YOUR ACCOUNT.



(II) MAKE SURE YOUR MOBILE DEVICE'S BLUETOOTH IS TURNED ON.

NOTE: REFER TO YOUR MOBILE DEVICE'S USER GUIDE FOR INSTRUCTIONS ON TURNING ON BLUETOOTH.

#### STEP FOUR

#### BLUETOOTH (BLE) SETUP - FOR IOS AND ANDROID USERS

(I) TAP **ADD DEVICE**, THEN TAP **CAMERA**.



IF THIS IS NOT THE FIRST DEVICE ON YOUR ACCOUNT, TAP **+** AND THEN TAP **CAMERA**.

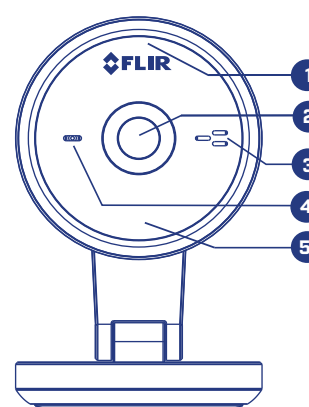
(II) FOLLOW THE ON-SCREEN INSTRUCTIONS TO COMPLETE SETUP.

NOTE: IF BLUETOOTH (BLE) IS NOT AVAILABLE ON YOUR MOBILE DEVICE, FOLLOW THE SETUP INSTRUCTIONS IN THE "WIFI SETUP - FOR ANDROID USERS ONLY" SECTION.

#### CAMERA OVERVIEW:

##### 1. Status LED

- **Steady Red:** Camera is starting up or resetting.
- \* **Fast-Flashing Red:** Camera is receiving weak signal from the router. (Reposition the camera to get a stronger signal.)
- \* **Slow-Flashing Red:** The router or network that the camera is connected to is down. Check your router settings.
- **Steady Blue:** Camera is connected to FLIR Cloud services.
- \* **Fast-Flashing Blue:** Firmware upgrade in progress. DO NOT UNPLUG YOUR CAMERA.
- \* **Slow-Flashing Blue:** Camera setup in progress.
- **LED Off:** Camera is in privacy / covert mode, or is turned off.



##### 2. Camera Lens

##### 4. Microphone

##### 3. Speaker

##### 5. Night Vision LED

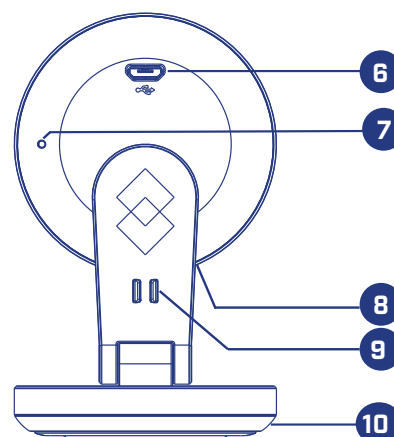
##### 6. MicroUSB Power Port

##### 7. Reset Button

##### 8. MicroSD Card Memory Slot

##### 9. MicroUSB Power Cable Holder: Secure the USB power cable with this clip.

##### 10. Camera Base

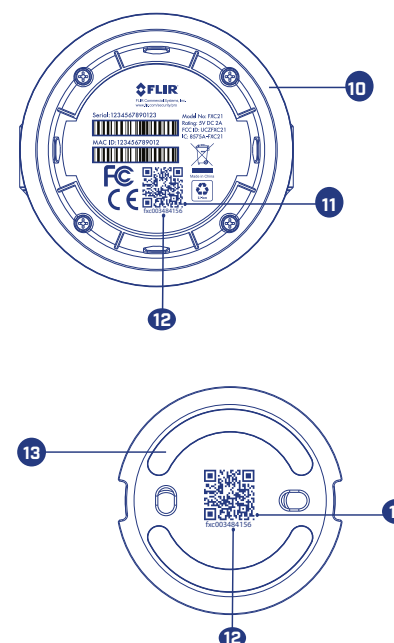


##### 10. Camera Base

##### 11. QR Code: Scan during WIFI setup using the FLIR SECURE™ app.

##### 12. Device ID

##### 13. Mounting Plate: Refer to the User Manual for wall-mounting instructions.



#### WIFI SETUP - FOR ANDROID USERS ONLY

IF BLUETOOTH (BLE) IS NOT AVAILABLE ON YOUR MOBILE DEVICE, FOLLOW THESE SETUP INSTRUCTIONS:

(I) TAP **ADD DEVICE**, THEN TAP **CAMERA**.

IF THIS IS NOT THE FIRST DEVICE ON YOUR ACCOUNT, TAP **+** AND THEN TAP **CAMERA**.

(II) SCAN THE QR CODE ON THE BOTTOM OF THE CAMERA MOUNTING PLATE.



(III) FOLLOW THE ON-SCREEN INSTRUCTIONS TO COMPLETE SETUP.

NOTE: IF YOU CANNOT SCAN THE CAMERA'S QR CODE, TAP **+** TO ENTER THE CAMERA'S DEVICE ID MANUALLY. SEE THE "CAMERA OVERVIEW" SECTION FOR DEVICE ID LOCATION.

NOTE: IF YOUR MOBILE DEVICE HAS BLUETOOTH TURNED ON BUT YOUR CAMERA'S DEVICE ID DOES NOT SHOW UP ON THE LOCATE CAMERA SCREEN, TAP "CAN'T FIND YOUR DEVICE?". SCAN THE QR CODE AND FOLLOW THE ON-SCREEN INSTRUCTIONS TO COMPLETE SETUP.

FLIRSECURE.COM

© 2016, FLIR Systems, Inc.  
FXC21\_QSG\_EN\_R1

# Federal Communication Commission Interference Statement

This equipment has been tested and found to comply with the limits for a Class B digital device, pursuant to Part 15 of the FCC Rules. These limits are designed to provide reasonable protection against harmful interference in a residential installation. This equipment generates, uses and can radiate radio frequency energy and, if not installed and used in accordance with the instructions, may cause harmful interference to radio communications. However, there is no guarantee that interference will not occur in a particular installation. If this equipment does cause harmful interference to radio or television reception, which can be determined by turning the equipment off and on, the user is encouraged to try to correct the interference by one or more of the following measures:

- Reorient or relocate the receiving antenna.
- Increase the separation between the equipment and receiver.
- Connect the equipment into an outlet on a circuit different from that to which the receiver is connected.
- Consult the dealer or an experienced radio/TV technician for help.

FCC Caution: Any changes or modifications not expressly approved by the party responsible for compliance could void the user's authority to operate this equipment.

This device complies with Part 15 of the FCC Rules. Operation is subject to the following two conditions: (1) This device may not cause harmful interference, and (2) this device must accept any interference received, including interference that may cause undesired operation.

This device and its antenna(s) must not be co-located or operating in conjunction with any other antenna or transmitter.

## **IMPORTANT NOTE:**

### **FCC Radiation Exposure Statement:**

This equipment complies with FCC radiation exposure limits set forth for an uncontrolled environment. This equipment should be installed and operated with minimum distance 20cm between the radiator & your body.

This device complies with Industry Canada's licence-exempt RSSs. Operation is subject to the following two conditions:

- (1) This device may not cause interference; and
- (2) This device must accept any interference, including interference that may cause undesired operation of the device.

*Le présent appareil est conforme aux CNR d'Industrie Canada applicables aux appareils radio exempts de licence. L'exploitation est autorisée aux deux conditions suivantes : (1) l'appareil ne doit pas produire de brouillage, et (2) l'utilisateur de l'appareil doit accepter tout brouillage radioélectrique subi, même si le brouillage est susceptible d'en compromettre le fonctionnement.*

IC Radiation Exposure Statement:

This equipment complies with IC RSS-102 radiation exposure limits set forth for an uncontrolled environment.

*Cet équipement est conforme aux limites d'exposition aux rayonnements IC établies pour un environnement non contrôlé.*

**Digital apparatus (ICES003)**

CAN ICES-3 (B)/NMB-3(B)