

LOREX®

HD Video Floodlight

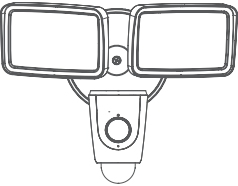
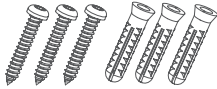
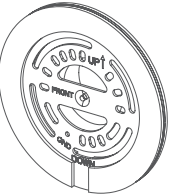
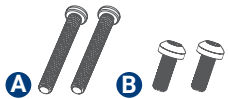

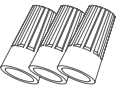



W452AS Series
Quick Start Guide

lorex.com



Package Contents

 HD Video Floodlight	 Mounting Screws & Anchors (x3)
 Mounting Bracket	 Bracket Screws A and B (x2)
 Hooks	 Wire Caps (x3)
	 Phillips Machine Screw

Safety Precautions

- Read this guide carefully and keep it for future reference.
- Follow all instructions for safe use and handling of the product.
- Periodic cleaning may be required. Use a damp cloth only. Do not use any harsh, chemical-based cleaners.
- Use the product within given temperature, humidity and voltage levels noted in the product's specifications.
- Do not disassemble the floodlight.



CAUTION
Risk of fire.
Do not install camera near flammable or combustible surfaces.

Risk of electrical shock.
Disconnect the power at the fuse box before installation.



Disclaimers

- Always follow code standards when installing wired connections.
- This floodlight camera must be installed on a wall and a UL listed junction box.
- This floodlight includes an Auto Mechanical IR Cut Filter. When the camera changes between Day/Night viewing modes, an audible clicking noise may be heard from the floodlight. This clicking is normal, and indicates that the camera filter is working.
- Audio recording without consent is illegal in certain jurisdictions. Lorex Corporation assumes no liability for use of its products that does not conform with local laws.

FCC Notice

THIS DEVICE COMPLIES WITH PART 15 OF THE FCC RULES. OPERATION IS SUBJECT TO THE FOLLOWING TWO CONDITIONS:

- (1) THIS DEVICE MAY NOT CAUSE HARMFUL INTERFERENCE, AND
- (2) THIS DEVICE MUST ACCEPT ANY INTERFERENCE RECEIVED, INCLUDING INTERFERENCE THAT MAY CAUSE UNDESIRABLE OPERATION.

Need Help?

Visit us online for up-to-date software and complete instruction manuals



- 1 Visit lorex.com
- 2 Search for the model number of your product
- 3 Click on your product in the search results
- 4 Click on the **Downloads** tab

Copyright © 2020 Lorex Corporation
As our products are subject to continuous improvement, Lorex reserves the right to modify product design, specifications and prices, without notice and without incurring any obligation. E&OE. All rights reserved.

Product Overview

Back Panel

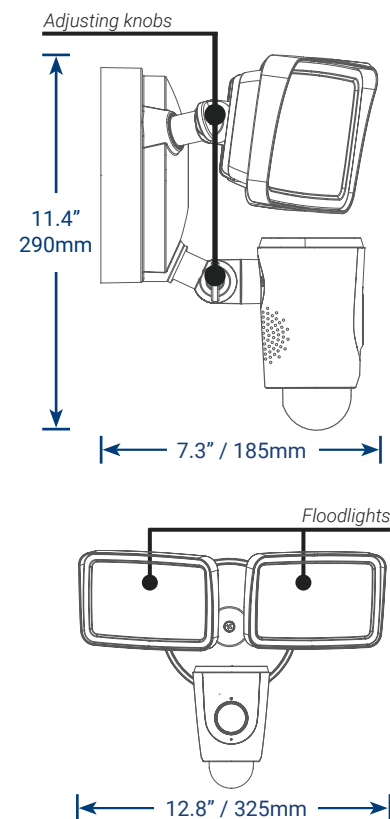
- Light sensor
- Speaker
- PIR motion sensor

Front Panel

- Top cover
- IR LED
- Microphone
- Camera
- Memory slot*
- Reset button**

LED Indicator

Behavior	Meaning
● (steady)	Operating correctly.
● (flashing)	Ready for connection.
● (flashing rapidly)	Mobile device is attempting to connect to the camera.
● (steady)	Device malfunction. Try resetting the camera and repeating the setup.
● (flashing)	Network connection failed. Try resetting the camera and repeating the setup.
● (flashing rapidly)	Memory slot error. Try removing and re-inserting the included memory slot card, or try a different card.
● (alternating)	Firmware upgrade in progress.



* To access the memory slot and reset button, twist left to open the top cover.
** To reset the camera, hold down the reset button until the chime sounds and the LED Indicator turns red.

STEP 1: Preparation

Before assembly, there are important preparations to make.

To prepare for installation:

- **TURN OFF POWER TO YOUR FLOODLIGHT CIRCUIT AT THE FUSEBOX TO ENSURE NO POWER IS BEING SENT.** If you are unsure of which breaker controls the circuit, then turn off the main power switch.
If you do not know where your breaker is or how to turn off power, consult a licensed electrician.
- Verify that the supply voltage is correct. Connect fixture to a 100 VAC~240 VAC 50/60 Hz power source.
- **DO NOT connect floodlight to a dimmer switch or timer.**
- If you are not replacing a light fixture, you will need to run power cabling to the install location, and purchase a UL listed junction box for a licensed electrician to install.

Recommendation:

Mount the floodlight camera 10 feet (3 meters) high with the motion detector levelled to the ground for optimal detection of human-sized objects as far as 32 feet (10 meters).

Levelled to the ground



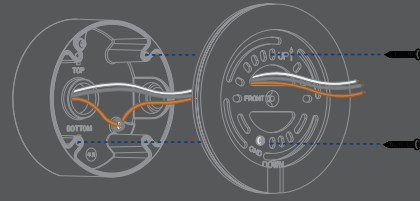
STEP 2: Secure the Mounting Bracket

Next, install the floodlight's mounting bracket.

- With the power shut off, remove the existing light fixture and bracket from the wall.
- Disconnect the wires.

To install directly to a junction box:

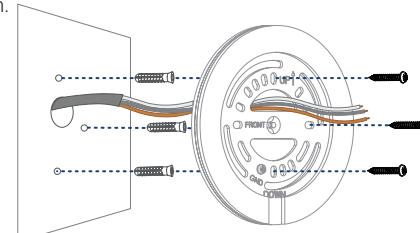
- Run the wires through the middle of the supplied mounting bracket.
- Secure the mounting bracket to your junction box using one of the **bracket screws, A or B** depending on which size fits.



NOTE: Be sure to follow the "Front" / "Up" directions on the mounting bracket.

To install directly on a wall:

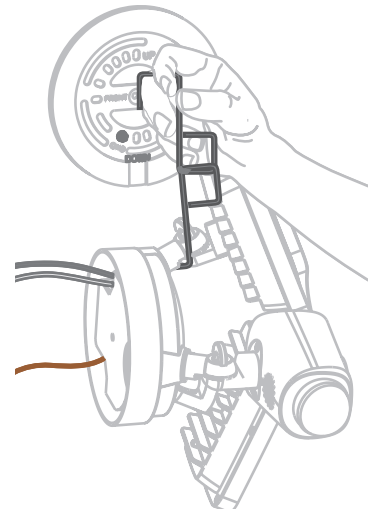
- Use the mounting bracket as a template to mark 3 holes in a triangular pattern.
- Use a 1/4" drill bit to drill in the marked holes.
- Gently tap the supplied **mounting anchors** into the drilled holes with a hammer.
- Align the bracket and use a Phillips head screwdriver to secure the supplied **mounting screws** into the mounted anchors.



STEP 3: Connect the Wires

To wire the floodlight:

1
Hang the floodlight camera from the mounting bracket using the supplied **hooks**.



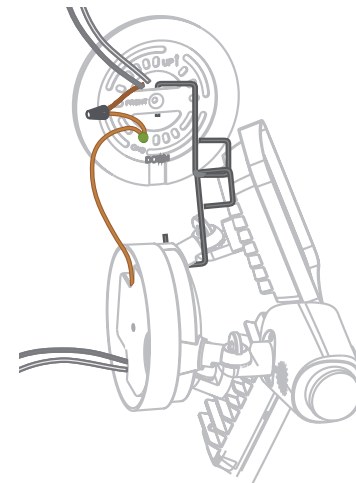
A Hook one end into your floodlight camera.

B Hook the other end into the bracket.

2

The copper wire from the camera is ground wire. **Connect the ground wire** to the existing ground wire inside of your junction box. Use the supplied **wire cap**.

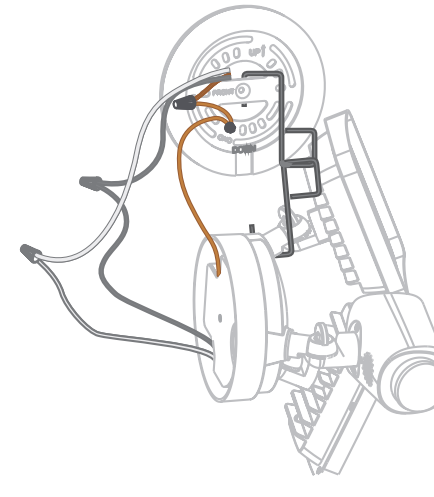
In the case that you are not wiring from a junction box, twist your ground wire around the green screw on the bracket.



IMPORTANT: Properly ground fixture.

3

The white wire from the camera is neutral wire. Use a wire cap to **connect the neutral wires** from the camera and junction box. The black wire from your camera is a hot wire. Use a wire cap to **connect the hot wires** from the camera and junction box.*

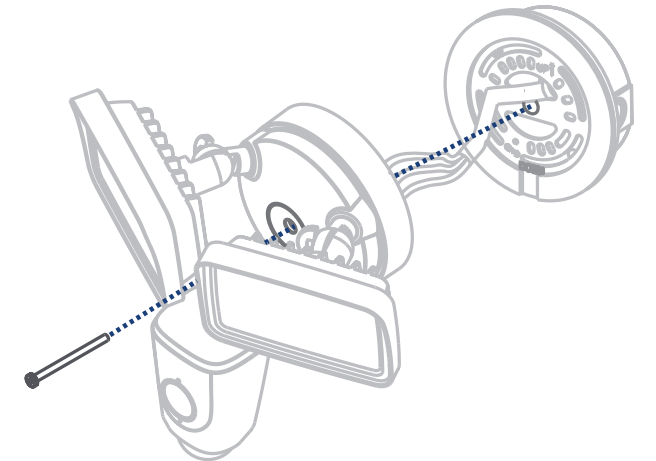


* Power wire colors in your home may be different. In such a case consult a licensed electrician.

STEP 4: Secure the Floodlight

Next, install the floodlight camera.

- Carefully push all the wires through the middle opening of the bracket into the junction box, and **secure the floodlight camera** through the middle hole using the **Phillips machine screw**.
In the case that you are installing the floodlight camera directly to the bracket, fit the wires into the back openings of the camera.



- Adjust the lens and light angle** using the adjusting knobs.
- To enforce a water resistant seal, apply silicone compound around the entire perimeter where the junction box is attached to the bracket.
- You may now restore power at the fusebox.

NOTE: If the status LED on the floodlight camera does not turn on, check to make sure wiring is done correctly.

STEP 5: In-app Setup

Next, connect the floodlight camera to the Lorex Home app.

To scan the QR code:

- Download and install the free **Lorex Home** app from the App Store or Google Play Store.
- Tap the Lorex Home icon to launch the app. Tap **Sign up**, then follow the on screen prompts to create an account. Record your account details below and store in a secure location:

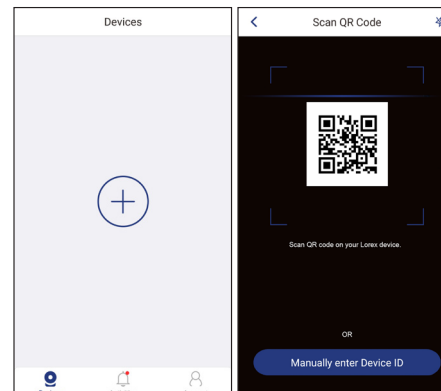


Email: _____

Account Password: _____

- Wait for the floodlight to start up. This may take up to 5 minutes after reconnecting power at the breaker.

- Once the status LED on the floodlight is flashing green, tap **+** in the Lorex Home app.



- Scan the QR code on the side of the floodlight camera using your mobile device's camera.
- NOTE:** If your mobile device cannot scan the QR code, tap **Manually enter Device ID**.

To link the floodlight:

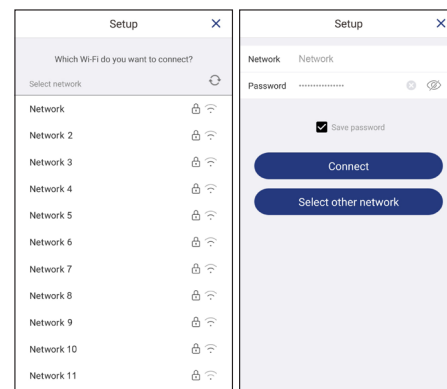
- Once the status LED on the floodlight is flashing green, tap **Next** in the Lorex Home app. The app will connect your mobile device to the floodlight's hotspot.
- Create a secure password for the floodlight. Record your floodlight password below and store in a secure location:

Floodlight Password: _____

- Select your Wi-Fi network from the list, then enter the Wi-Fi password to connect your floodlight to the Internet.

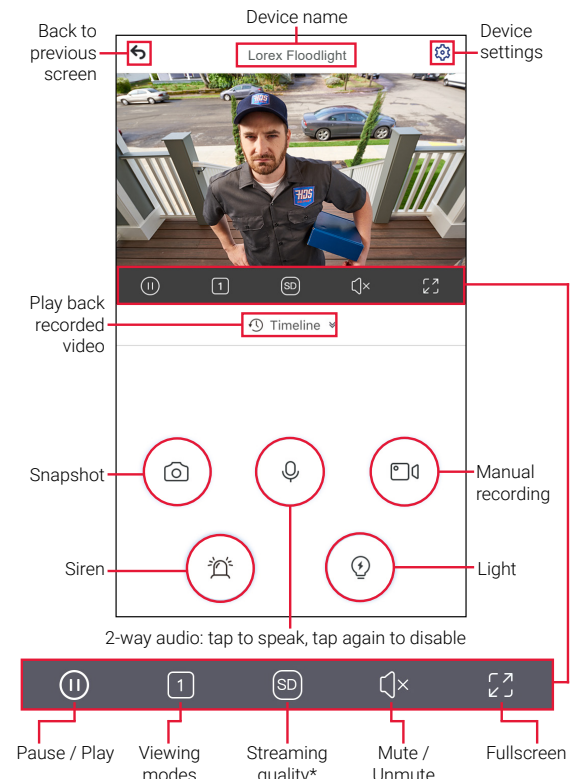
NOTE: If the Wi-Fi connection is weak, try moving your router closer or adding a Wi-Fi extender.

- Once the status LED on the floodlight is solid green, tap **Next** to add the floodlight to your Lorex Home account.
- Set a name for the floodlight and configure date & time preferences, then tap **Complete**.



Overview of Lorex Home app

Live viewing screen:



Please take attention that changes or modification not expressly approved by the party responsible for compliance could void the user's authority to operate the equipment.

This device complies with Part 15 of the FCC Rules. Operation is subject to the following two conditions:
(1) This device may not cause harmful interference, and
(2) This device must accept any interference received, including interference that may cause undesired operation.

This device complies with Industry Canada licence-exempt RSS standard(s). Operation is subject to the following two conditions:
(1) this device may not cause interference, and
(2) this device must accept any interference, including interference that may cause undesired operation of the device.

Le présent appareil est conforme aux CNR d'Industrie Canada applicables aux appareils radioexemptés de licence. L'exploitation est autorisée aux deux conditions suivantes :
(1) l'appareil ne doit pas produire de brouillage, et
(2) l'utilisateur de l'appareil doit accepter tout brouillage radioélectrique subi, même si le brouillage est susceptible d'en compromettre le fonctionnement.

This equipment complies with FCC/IC RSS-102 radiation exposure limits set forth for an uncontrolled environment. This equipment should be installed and operated with minimum distance 20cm between the radiator & your body.

ce matériel est conforme aux limites de dose d'exposition aux rayonnements, FCC / CNR-102 énoncée dans un autre environnement. cette équipement devrait être installé et exploité avec distance minimale de 20 entre le radiateur et votre corps.