

Spider-Man Monster Truck

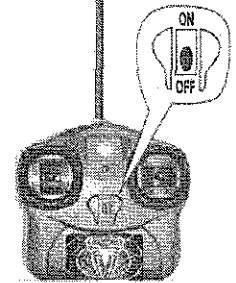
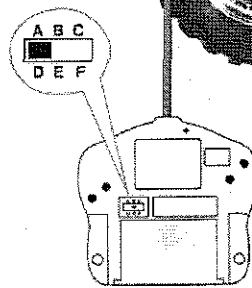
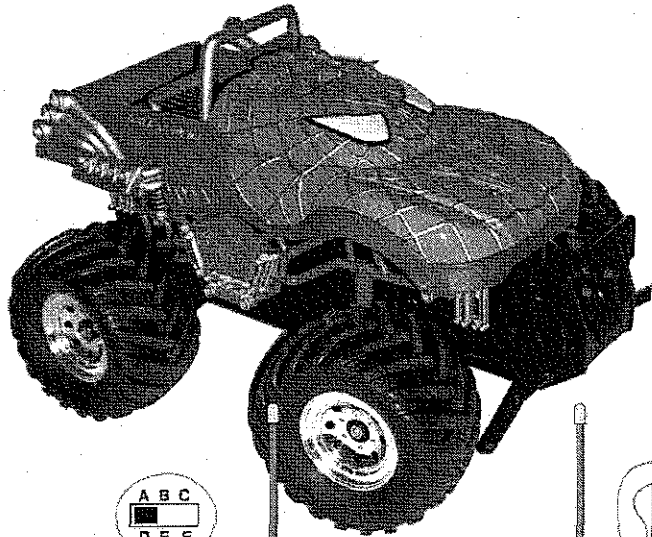
OWNER'S MANUAL Please read before using this equipment

RadioShack Spider-Man truck is built to handle the road in style and dazzle your friends with sonic speeds! Built to 1/14 scale. Your truck is available in two frequencies (27 and 49 MHZ) and 3 selectable bands to let you race against other 5 radio-controlled racers. Check the truck's box to see which frequency your Spider-Man truck uses.

Set the band A, B or C on the chassis inside the battery compartment to match with the band (Preset is A) setting on the transmitter.

If you need to change the band setting, make sure to match both the truck and the transmitter band settings.

NOTE: Make sure you're not pressing a transmitter control when you adjust the Selector switch.

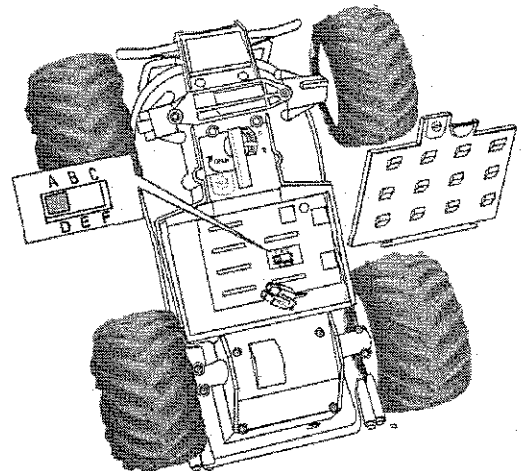
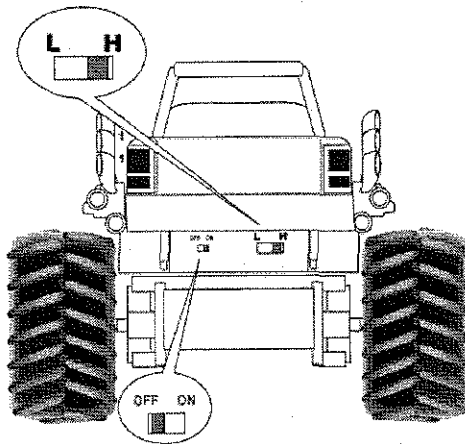


"H" & "L" Gear

Select "H" or "L" Gear by adjusting the Gear switch on the back of Truck.

"H" Gear is suitable for running on flat and wide places and your Truck runs faster on "H" Gear.

"L" Gear is suitable for running on rough and narrow places. If the Gear switch does not change smoothly, turn the rear wheels slightly by hand to facilitate the gear change.



FCC DECLARATION OF CONFORMITY

This device complies with Part 15 of the FCC Rules. Operation is subject to the following two conditions: (1) this device may not cause harmful interference, and (2) this device must accept any interference that may cause undesired operation.

THE FCC WANTS YOU TO KNOW

This equipment has tested and found to comply with the limits for a class B digital device, pursuant to Part 15 of the FCC Rules. These limits are designed to provide reasonable protection against harmful interference in a residential installation; this equipment generates uses and can radiate radio frequency energy and, if not installed and used in accordance with the instructions, may cause harmful interference to radio communications.

However, there is no guarantee that interference will not occur in a particular installation. If this equipment does cause harmful interference to radio or television reception, which can be determined by tuning the equipment off and on, the user is encouraged to try to correct the interference by one or more of the following measures:

- Reorient or relocate the receiving antenna
- Increase the separation between the equipment and receiver
- Consult your local RadioShack store or an experienced radio/TV technician for help
- If you cannot eliminate the interference, the FCC requires that you stop using your Spider-Man Monster Truck. Changes or modifications not expressly approved by RadioShack cause interference and void the user's authority to operate the equipment.

Installing the antenna tube

The supplied plastic antenna tube holds up the antenna wire for the best reception and range. Route the antenna wire's loose end through the tube. Then insert the tube securely into the tube holder.

INSTALLING BATTERIES

Cautions:

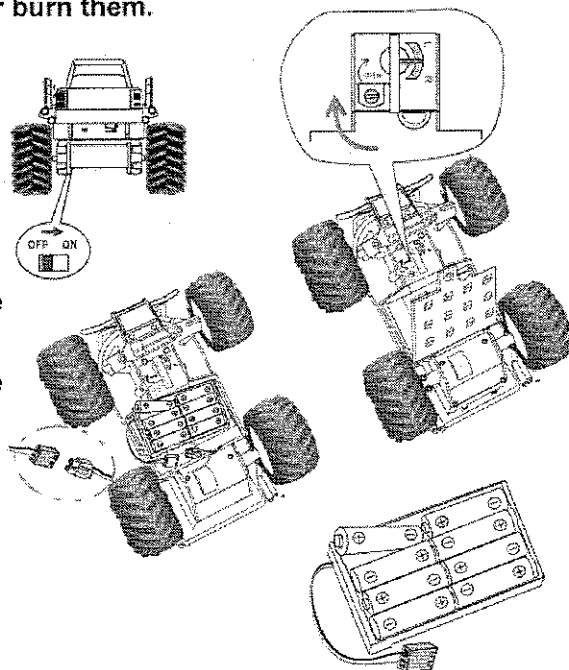
- Use only fresh batteries of the required size and recommended type.
- Do not mix old and new batteries, different types of batteries (standard, alkaline or rechargeable), or rechargeable batteries of different capacities.
- Non-recharged batteries are not to be recharged.
- Rechargeable batteries are only to be charged under adult supervision.
- Only batteries of the same or equivalent type as recommended are to be used.
- Batteries are to be inserted with correct polarity.
- Exhausted batteries are to be removed from the truck. Never leave dead or weak batteries in the truck or transmitter.
- The supply terminals are not to be short circuited.
- If you do not plan to use the monster truck for several days, remove all the batteries. Batteries can leak chemicals that can damage electronic parts.
- Dispose of the batteries promptly & properly; do not bury or burn them.

In the Truck

The truck requires 8 AA alkaline batteries or a 9.6V rechargeable battery pack (not supplied) for power.

Follow these steps to install battery in the truck:

1. Slide the OFF/ON switch at the rear of the truck to OFF.
2. Use a coin to turn the battery compartment latch clockwise until it stops. Then open and the battery compartment.
3. Using the AA battery adapter provided, insert 8 AA alkaline batteries according to the polarity symbols (+ and -) marked inside.
4. Attach the battery adapter's white plastic connector to the truck's matching connector. Do not force them together, they fit only one way.
5. Place the battery adapter in the battery compartment with the wires in the slot on the side of compartment.
6. Replace the cover, and then turn the latch counterclockwise to secure it.

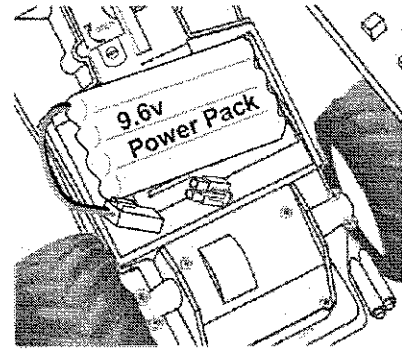


Drive faster by using a 9.6V rechargeable battery pack

1. Repeat the above points 1-2.
2. Place battery pack in the battery compartment. Attach the battery adapter's white plastic connector to the truck's matching connector. Do not force them together, they fit only one way.
3. Repeat the above point 5 and 6.

Note:

- Your 9.6 V Ni-MH rechargeable battery pack must be fully charged with a special optional charger before you can use it to power your truck. To charge it, follow the battery charger's instructions.
- To remove, grasp the battery pack's or battery pack and the truck's connectors, press and hold down the latch on the truck's connector then disconnect the connectors.

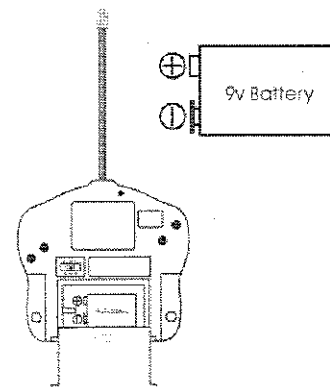


IN THE TRANSMITTER

The transmitter requires one 9V battery (not included). For the best performance and longest life, we recommend RadioShack alkaline batteries.

Follow these steps to install transmitter's battery

1. Slide off the battery compartment cover in the direction of arrow to remove it.
2. Put a battery in the compartment according to the polarity symbols (+ and -) marked inside.
3. Replace the cover and snap it shut.



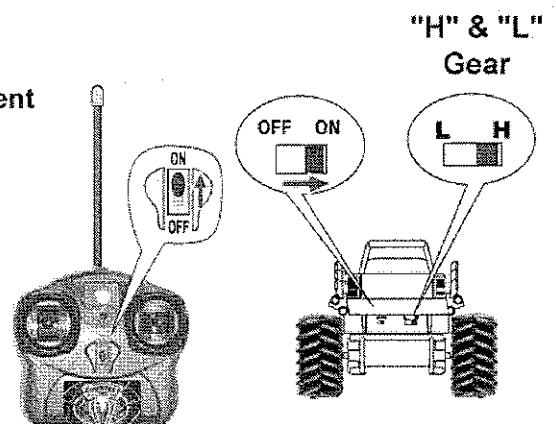
When the transmitter's range decreases, replace its battery.

DRIVING THE TRUCK

Warning: Never play with your truck in the street.

Note: the switch frequency band inside the battery compartment is present to A for 27 MHZ and D for 49MHZ.

1. Slide the transmitter's OFF/ON switch to ON and then LED turns ON.
2. Switch the frequency band of the rear transmitter to match with the band setting on the chassis (Present A).
3. Set H-L on the rear of truck to High for driving on smooth surface and enjoy the high speed performance or set to Low for rough surface and enjoy the climbing angle up to 28 degrees



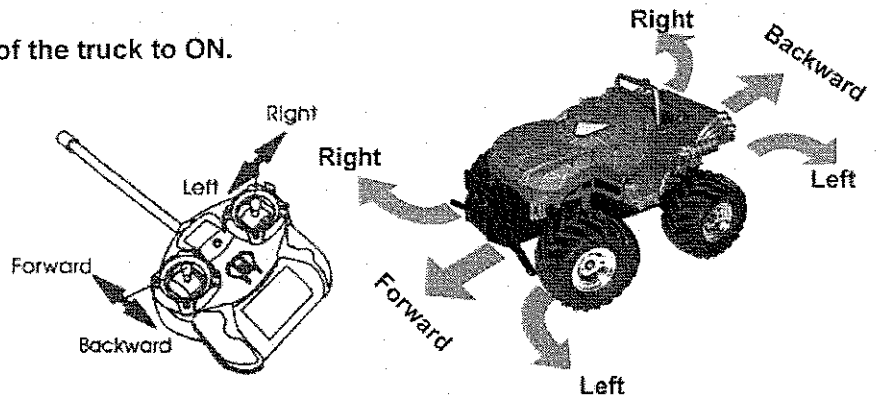
4. Slide OFF/ON switch on the rear of the truck to ON.

Left control lever

- Push forward to move forward.
- Push back to move backward.
- Release to stop.

Right control lever

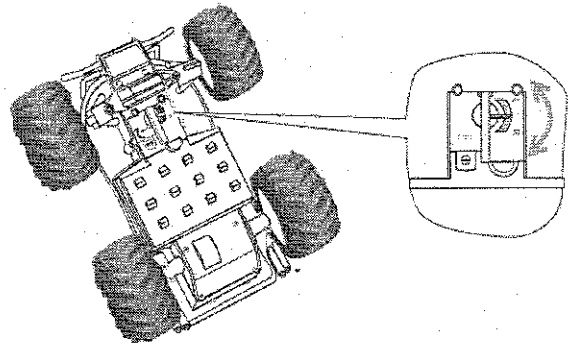
- Push left to move left.
- Push right to move right.
- Release to go straight.



5. When you finish driving the truck, set OFF/ON to OFF.

WHEEL ALIGNMENT

If the truck does not drive in a straight line when you release the right control lever, adjust the wheel alignment control on the bottom of the truck. Turn the control toward L if the truck is pulling to the right or toward R if the racer is pulling to the left.



HELPFUL HINTS

These hints can help you get most enjoyment from your truck.

- Running your truck continuously for long periods generates high heat levels. Heat causes wear and tear on the motor. To help keep heat levels down, when your truck's battery pack dies, let the truck cool at least 10 minutes before installing a new or newly charged battery pack.
- If someone uses a CB nearby, it might interfere with control of the truck. If this happens, move truck away from the CB. You cannot operate your truck near devices with transmitters that use the same frequency as your truck (27MHz or 49 MHz). Check the frequency which your truck uses.
- If the racer moves slowly and you just installed a fully charged battery pack, check the wheel mechanisms for lint, thread, hair, or dust.

CARE

Modifying or tampering with the truck's internal components can cause a malfunction and might invalidate its warranty and void your FCC authorization to operate it. If your truck is not performing as it should, take it to your local RadioShack store for assistance.

Limited 90-day Warranty

This product is warranted by *RadioShack* against manufacturing defects in material and workmanship under normal use for ninety (90) days from the date of purchase from *RadioShack* company-owned stores and authorized *RadioShack* franchisees and dealers. For complete warranty details and exclusions, check with your local *RadioShack* store.

RadioShack Customer Relations
300 RadioShack Circle
Fort Worth, TX 76102

04/04

www.radioshack.com